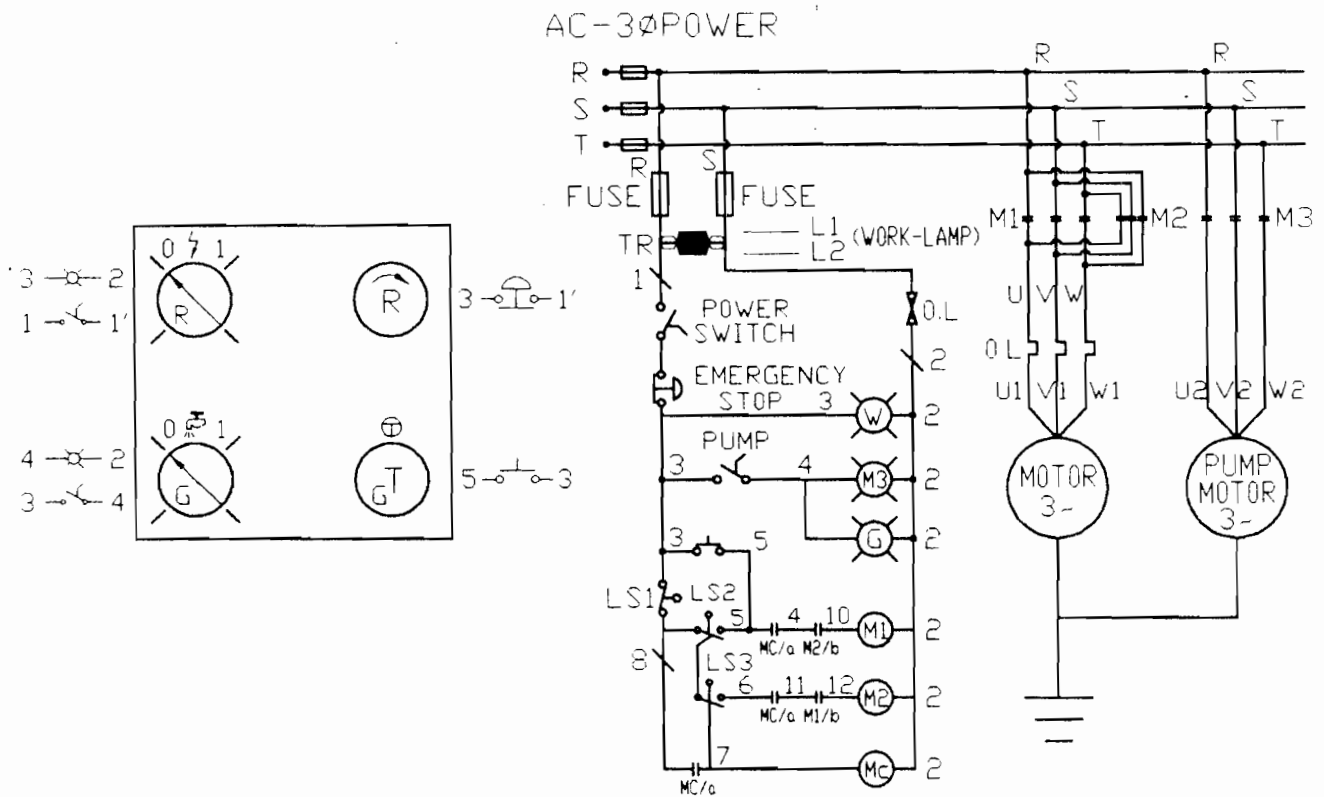
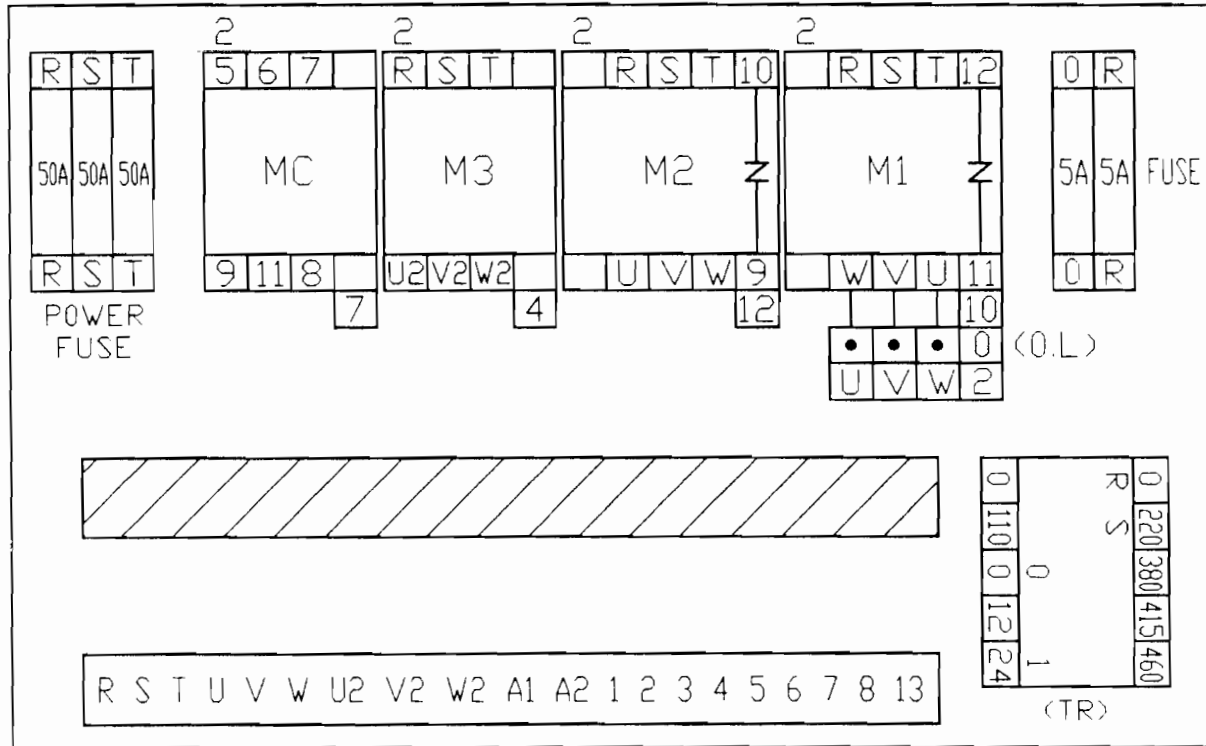
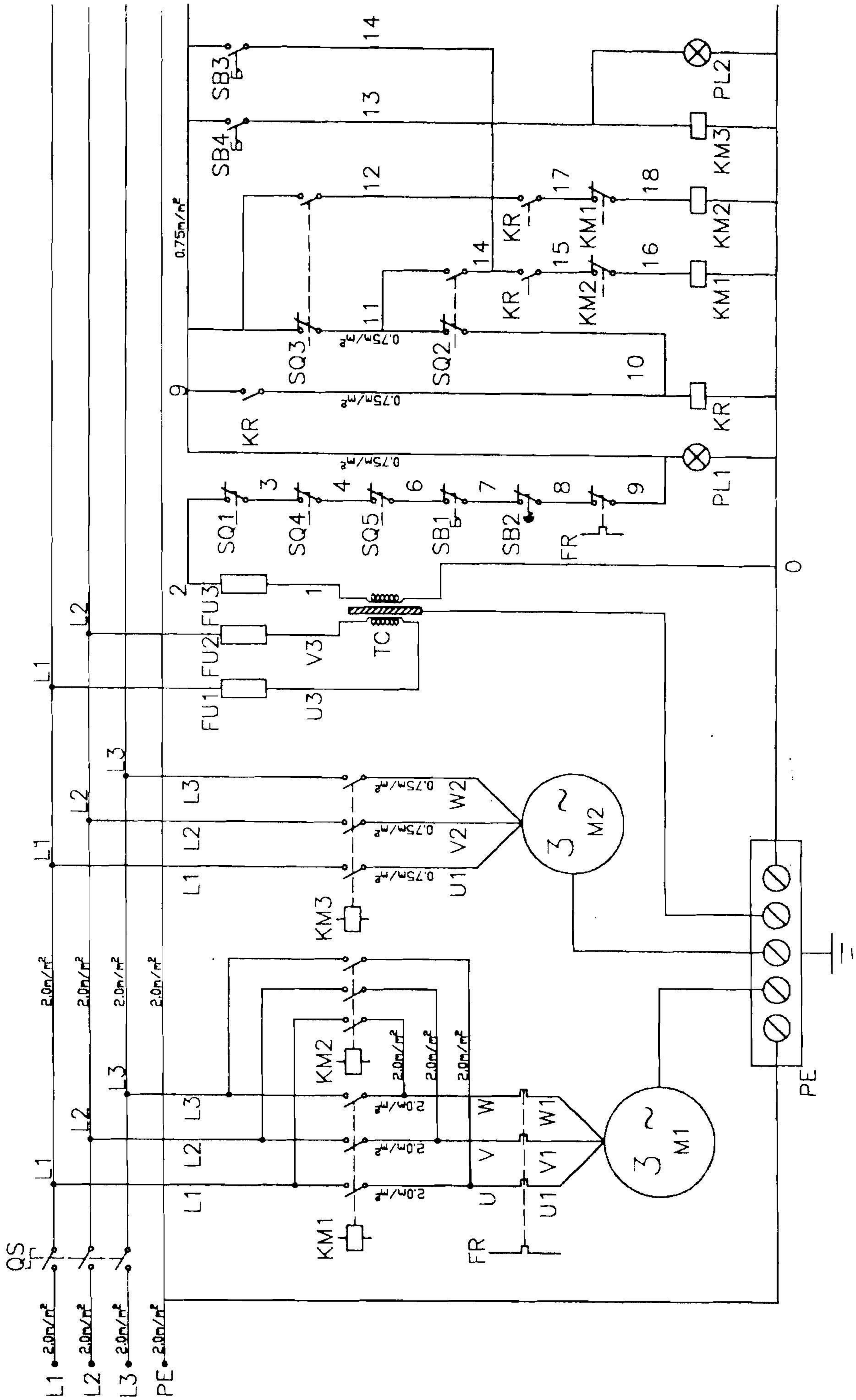


# ELECTRICAL CIRCUITING DIAGRAM (WITHOUT INVERTER)



# ACER





Manufacturer: ACER		SCHEDULE OF ELECTRICAL EQUIPMENT			sheet	
Order						
TYPE: LATHE MACHINE DYNAMIC-1840		See also list			Drawn	
					Checked	
Item designation	Description and function	Technical data	Quantity	Supplier	Suppliers reference	Remarks
QS	Main Power(Door lock) Switch	AC 500N/50HZ 3P 16A	1	MACK	MK-316	IEC 408 IP 65
FU1 FU2	AC Fuse To Transformer	AC 600V 30 MM 2A	1 1	SHINING	FS-011	CSA. C22.2 NO. 59.2
FU3	Ac Low Voltage To Transformer	AC 600V 30 MM 3A	1	SHINING	FS 011	CSA. C22.2 NO. 59.2
KM1 KM2 KM3	Contactors	3P1a Ri=AC 660V Rt= 25A AC3 220V 2.2KW 380V 4.0KW	1 1 1	N.H.D. HUH-DIAN	C-09D10 (4a)	IEC 158-1 VDE 0660 BS 5424-1 JIS 8325
FR	Over-Load (Relays)	5-8A 6.5A Ui=AC 600V Ith= 10A	1	N.H.D. HUH-DIAN	BTH-12 (1NO+1NC)	IEC 202-1 VDE 0660 JIS 8325 BS 5434-1
KR	Contactors-Relay	Coil=AC 24V AV 240V 5A DC 30V 5A	1	IDEC- IZUMI	RY4S-U	UL E55906 CSA LR35144
TC	Transformer	AC Hi=380V(220V) Lo=24V TR-72VA	1	SUENN- LIANG	SP-TBS	IEC 75-5 EN 60742 IEC IP-2
TB	Casset Terminal-Block	AC 600V MAX. 20A MAX. 10A	3 16	SHINING	TA-020 TA-010	UL E121562
PL1 PL2	Pilot-Lamps Ac Power Lamp Pilot-Lamps Pump Lamp	AC 24V 1.5W 220φ	1 1	MACK	MK/L-22	IEC 144 IP 65.
SB1 SB2 SB3 SB4	Power Selector Switch Emergency-Stop Jogging-Button Pump-Selector	AC 250V 10A MAX. 600V 380V 7.5A 1NO+1NC 22φ	1 1 1 1	MACK	MK/CF-22 MK/B-22 MK/BF-22 MK/C-22	IEC-144 IP 65
SQ1	Safe-Cover (Limit. Switch)	AC 400V 15.2A MAX. 600V 1NO+1NC 22φ	1	ORMON	D4D-1520N	IEC 947-5-1 EN 60947-5-1 EN 50047 IP 65
SQ2 SQ3 SQ4	For-Limit. Switch Rev-Limit. Switch Foot-Cut (L.S)	AC 125V 10A MAX. 600V 250V 10A DC 115V 0.4A	1 1 1	MOJEN	MJ-1704	UL E100183 HL 56C7
CABLE-LOCK	Cable-Glands		1	AVG	M-15	IE G8
LINE	Control-Line	0.75m <sup>2</sup> MAX. 300V (30/0.18)-7A Ambient Temp (35°C~60°C)	1	TONG-WU		CNS 679 JIS C3307
CABLE	PVC Cable-Wire	2.0m <sup>2</sup> *4c(37/0.26)16A 1.25m <sup>2</sup> *4c(50/0.18)/11A Ambient Temp (35°C~60°C) MAX. 600A	1	TONG-WU		CNC 3301.4398 JIS C3342 3401
MS	Main-Motor	C-35D AC1:50A AC3 220V 7.5KW	1	N.H.D	C-35D	IEC947-1 UL.CSA.CE
PF-3	Power-Fuse	AC 600V 50A	3	SHINING		

