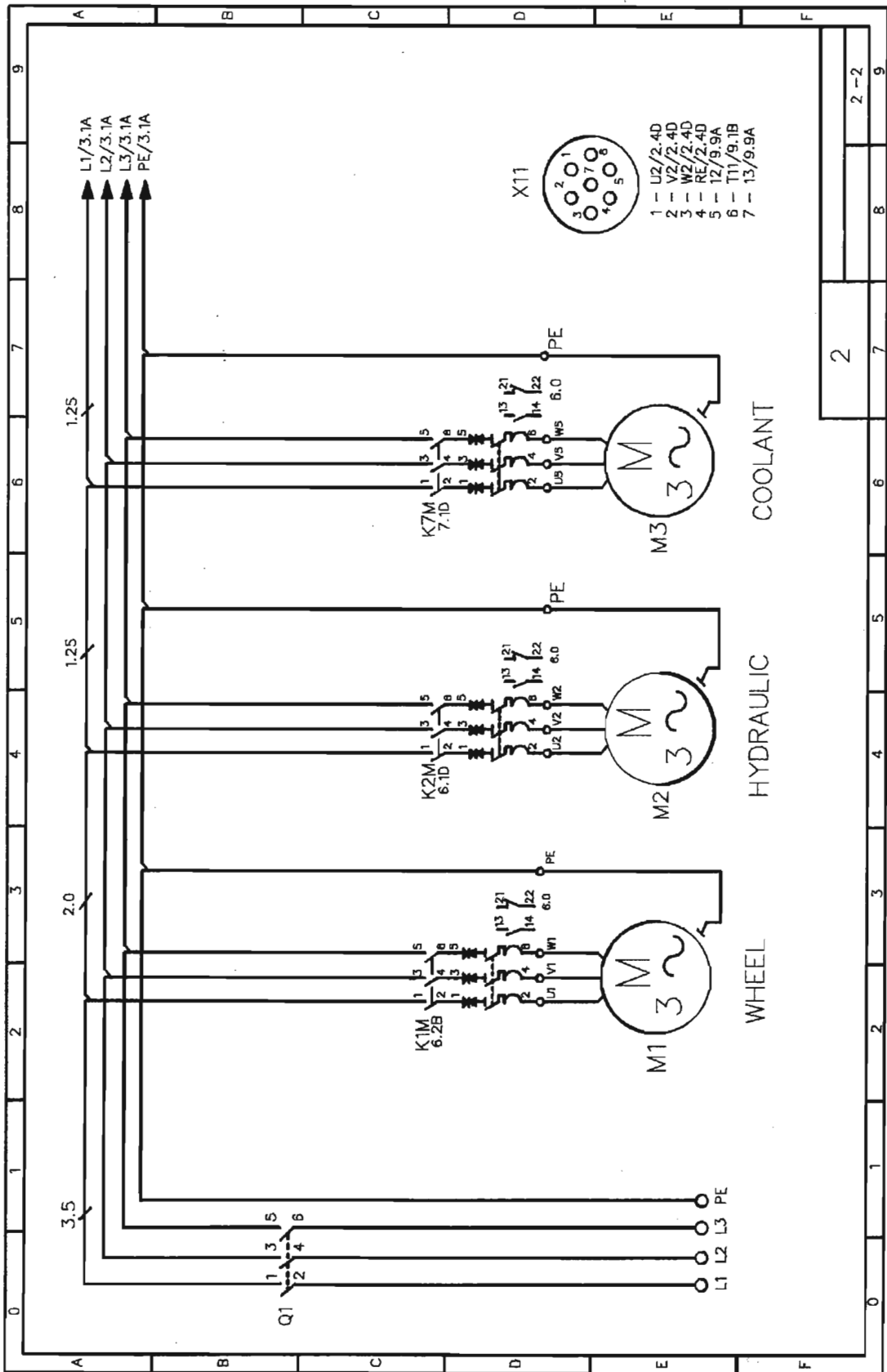


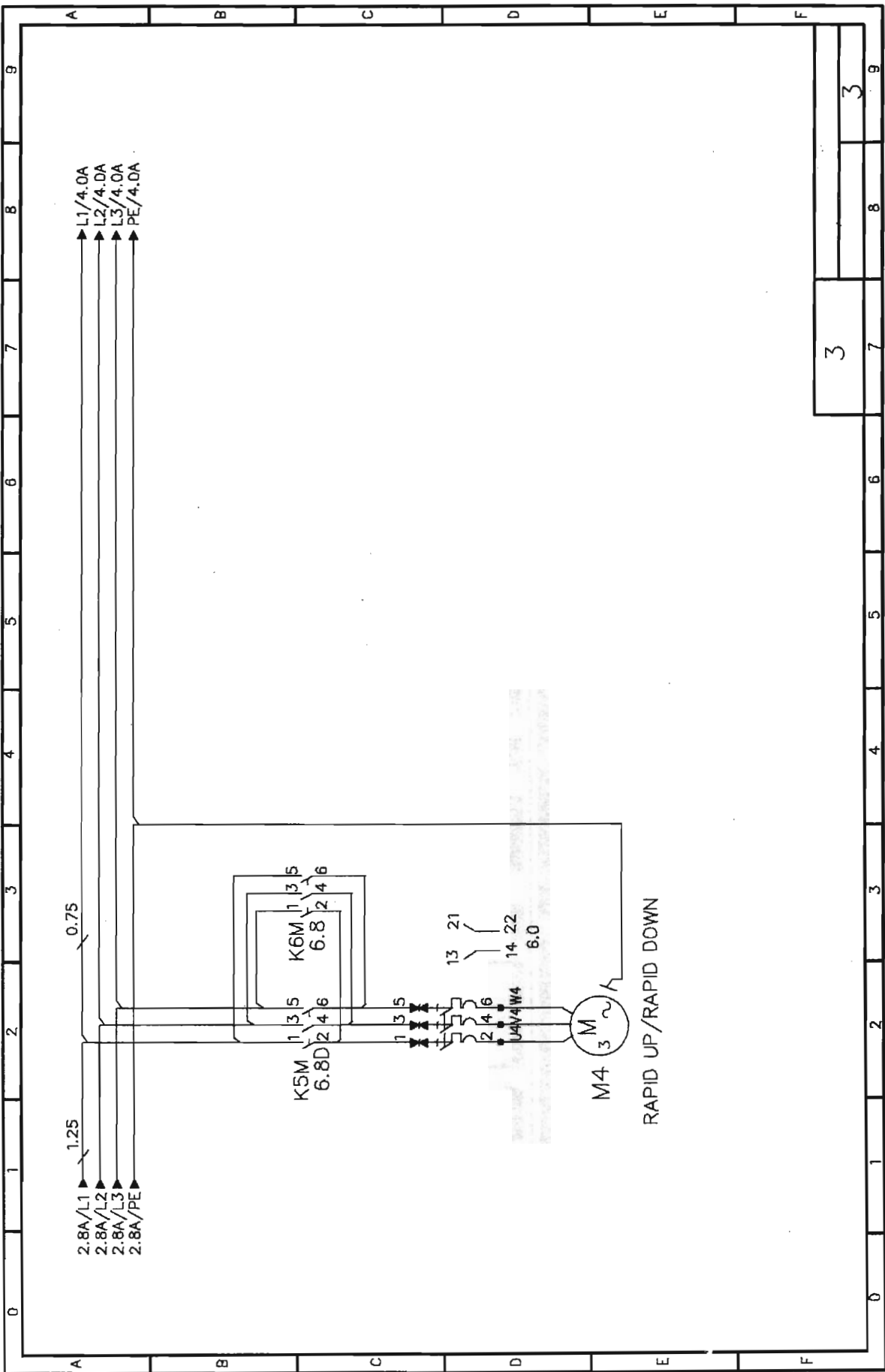
# CHAPTER 2

## ELECTRIC CIRCUIT DIAGRAM

### 2.1: MOTORS CONTROL

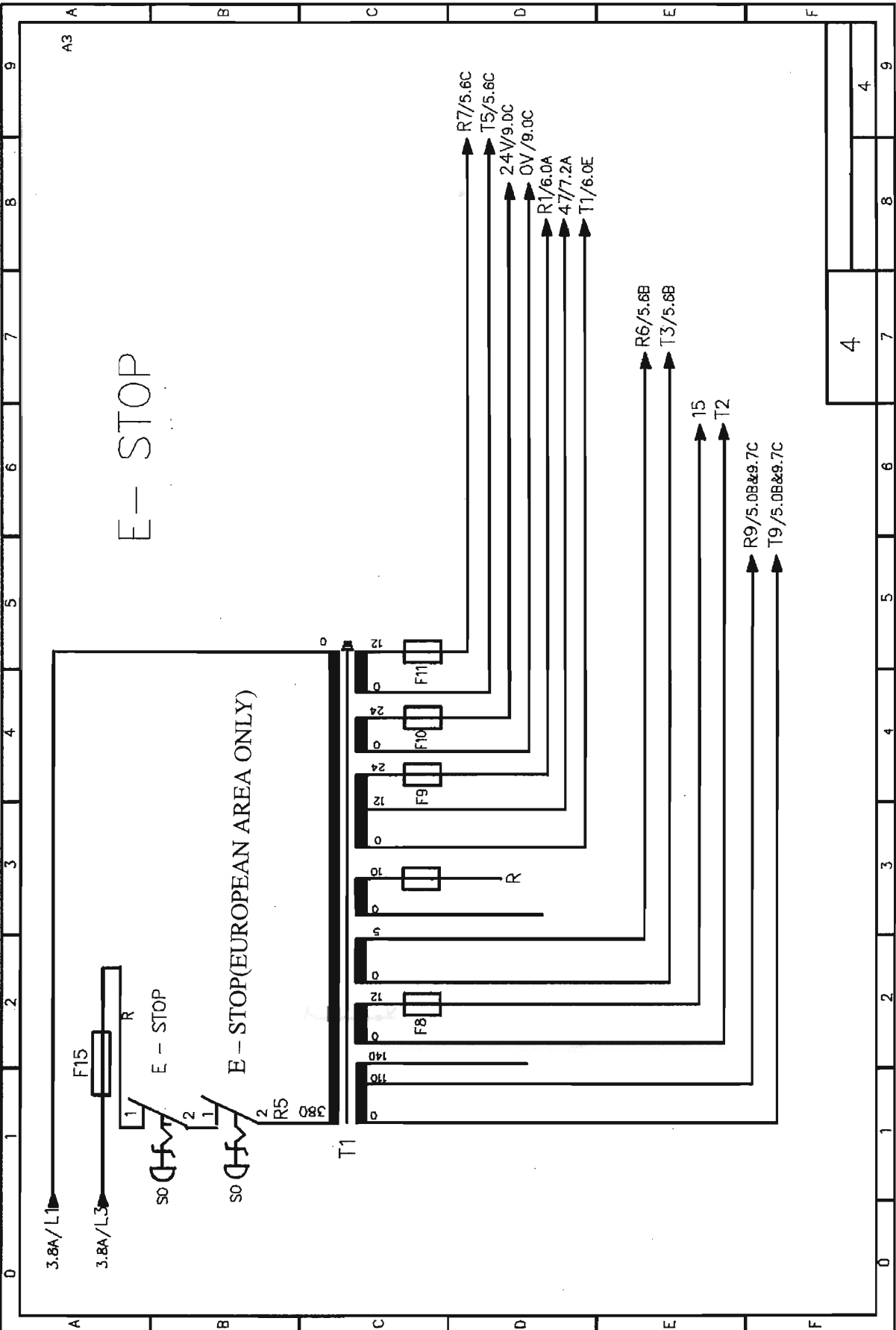


2.2:MOTORS CONTROL

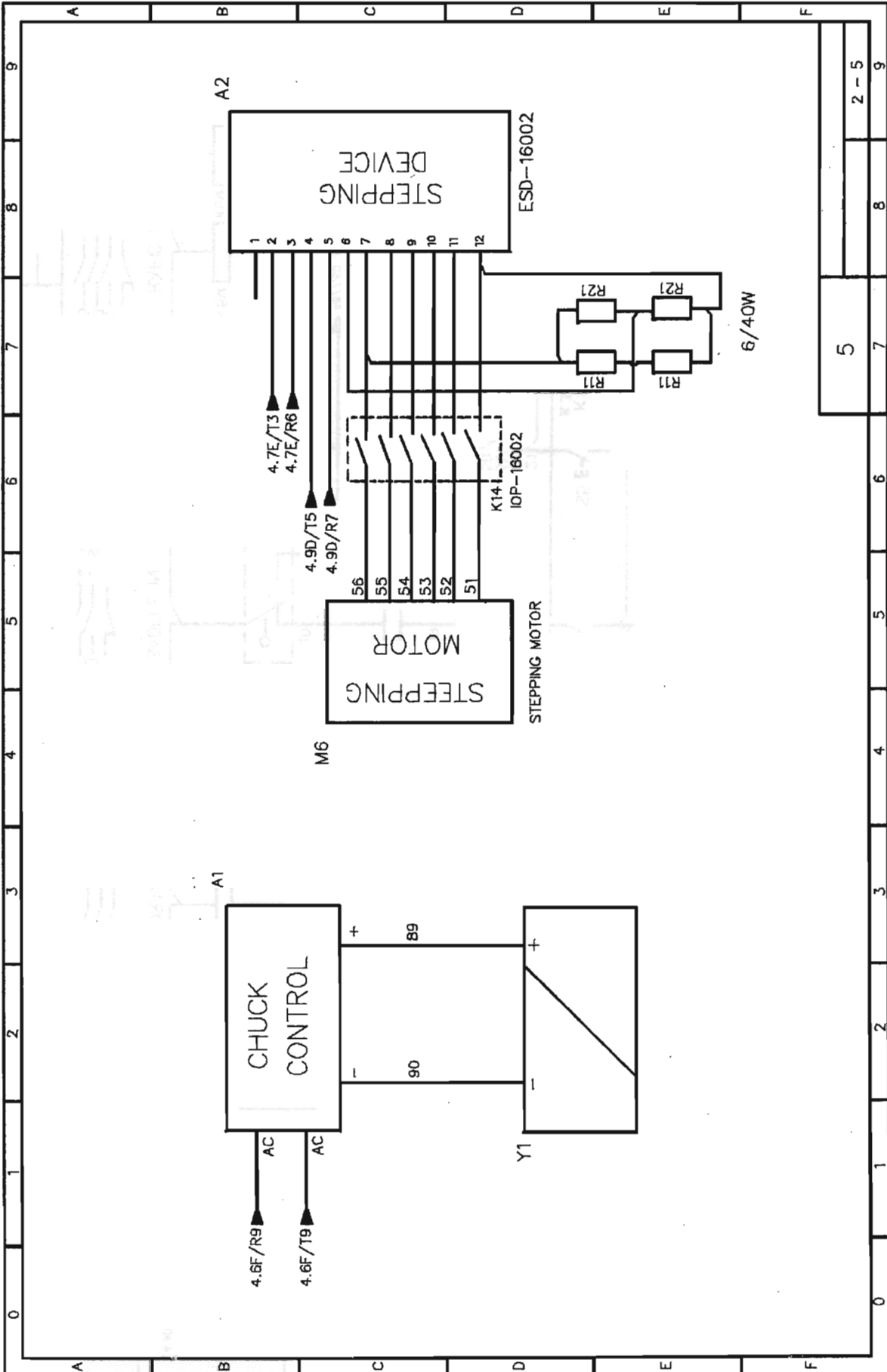


3	7	6	5	4	3	2	1	0
3	8	7	6	5	4	3	2	1
3	9	8	7	6	5	4	3	2

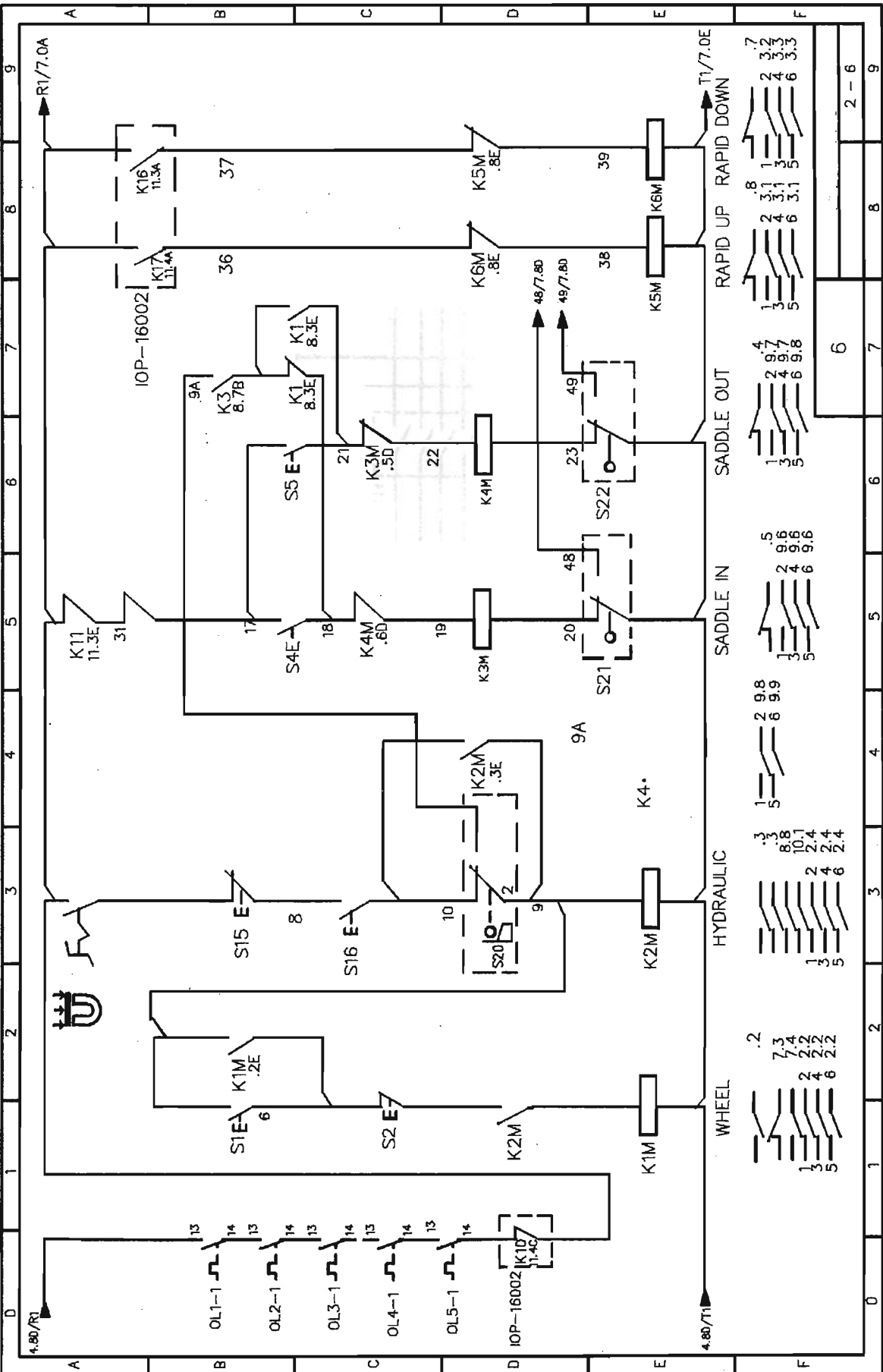
2.3: E- STOP CONTROL AND POWER SUPPLY



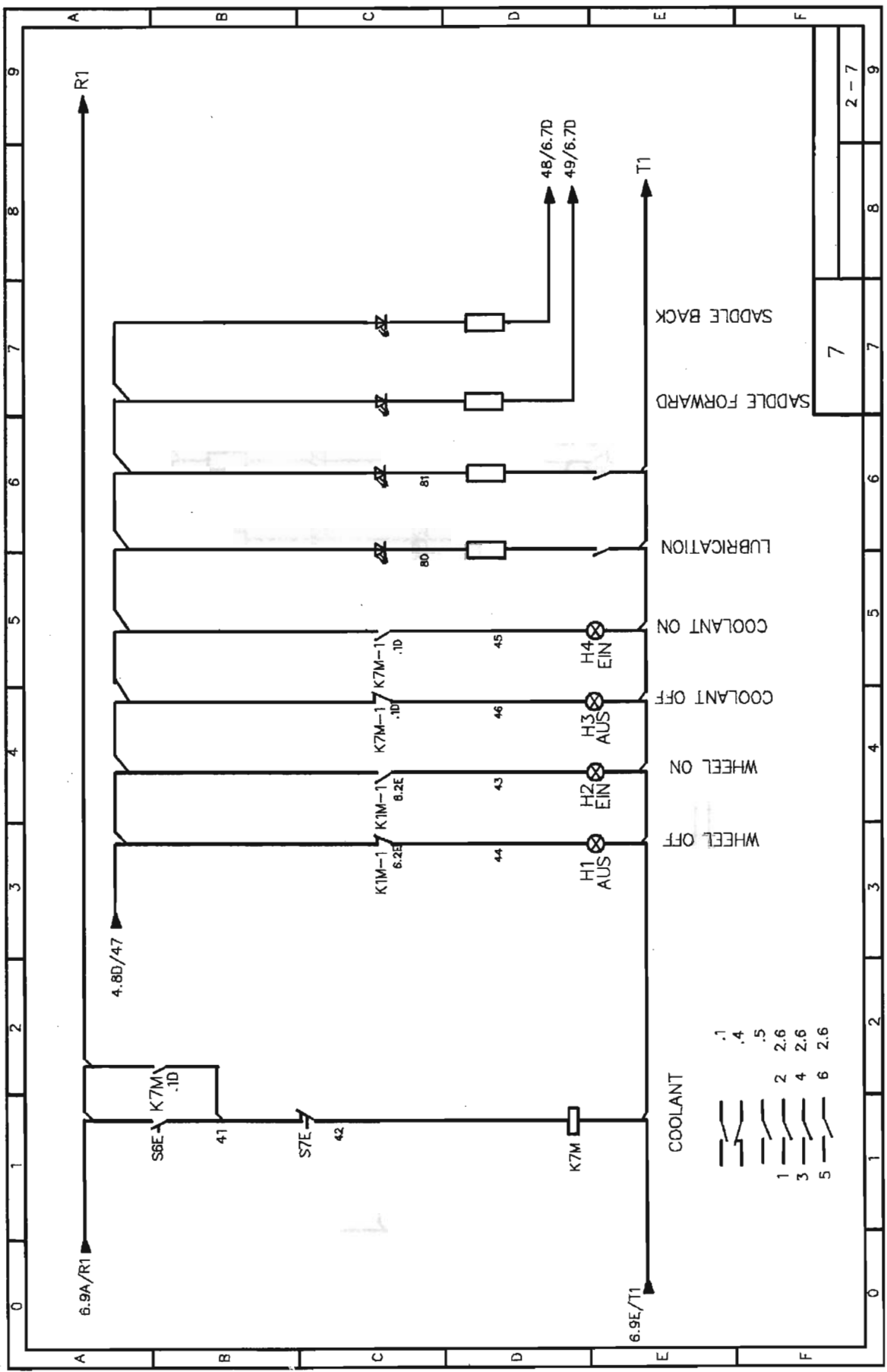
2.4: STEPPING DEVICE AND CHUCK CONTROL



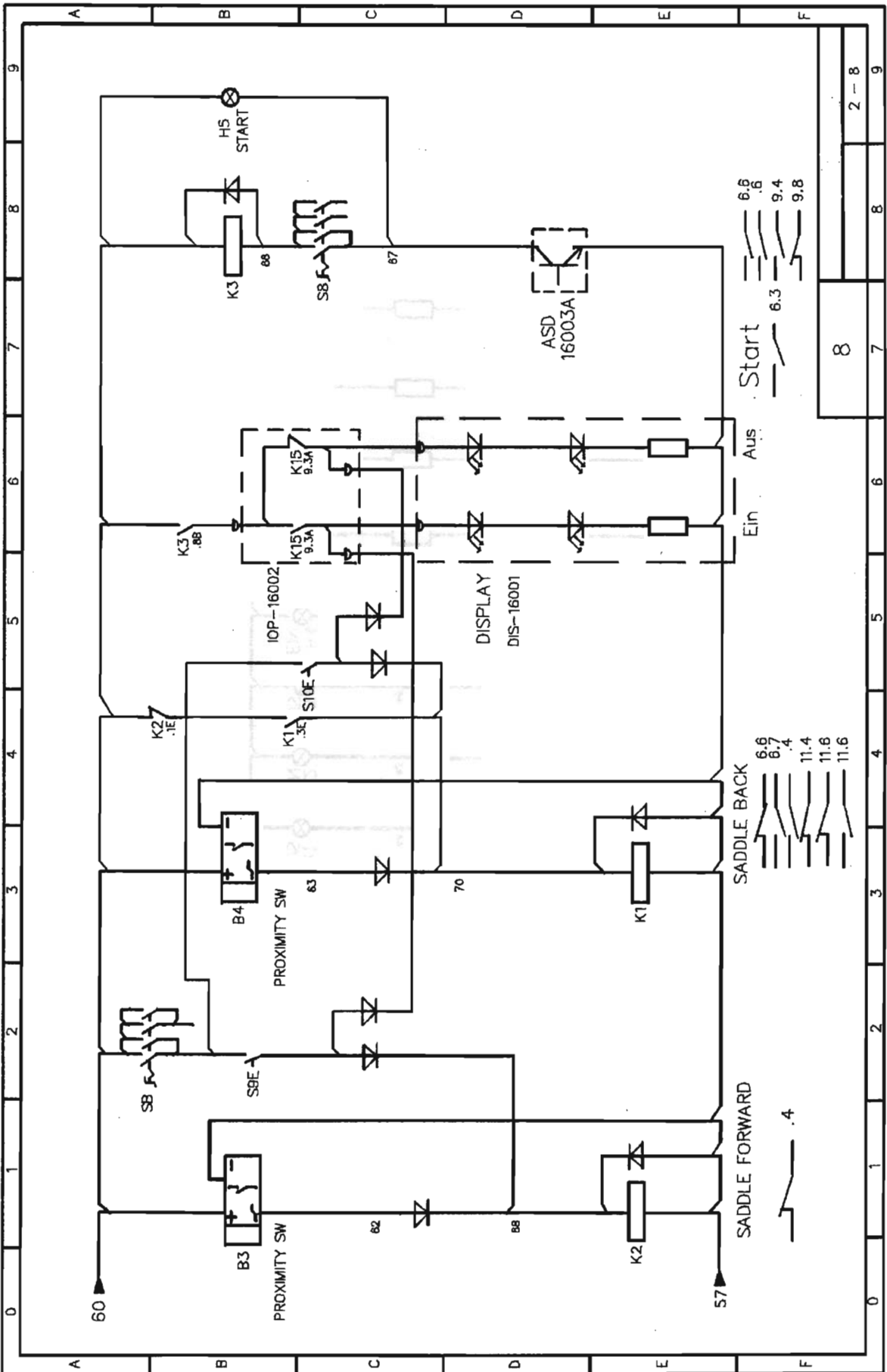
2.5:CONTROL CIRCUIT



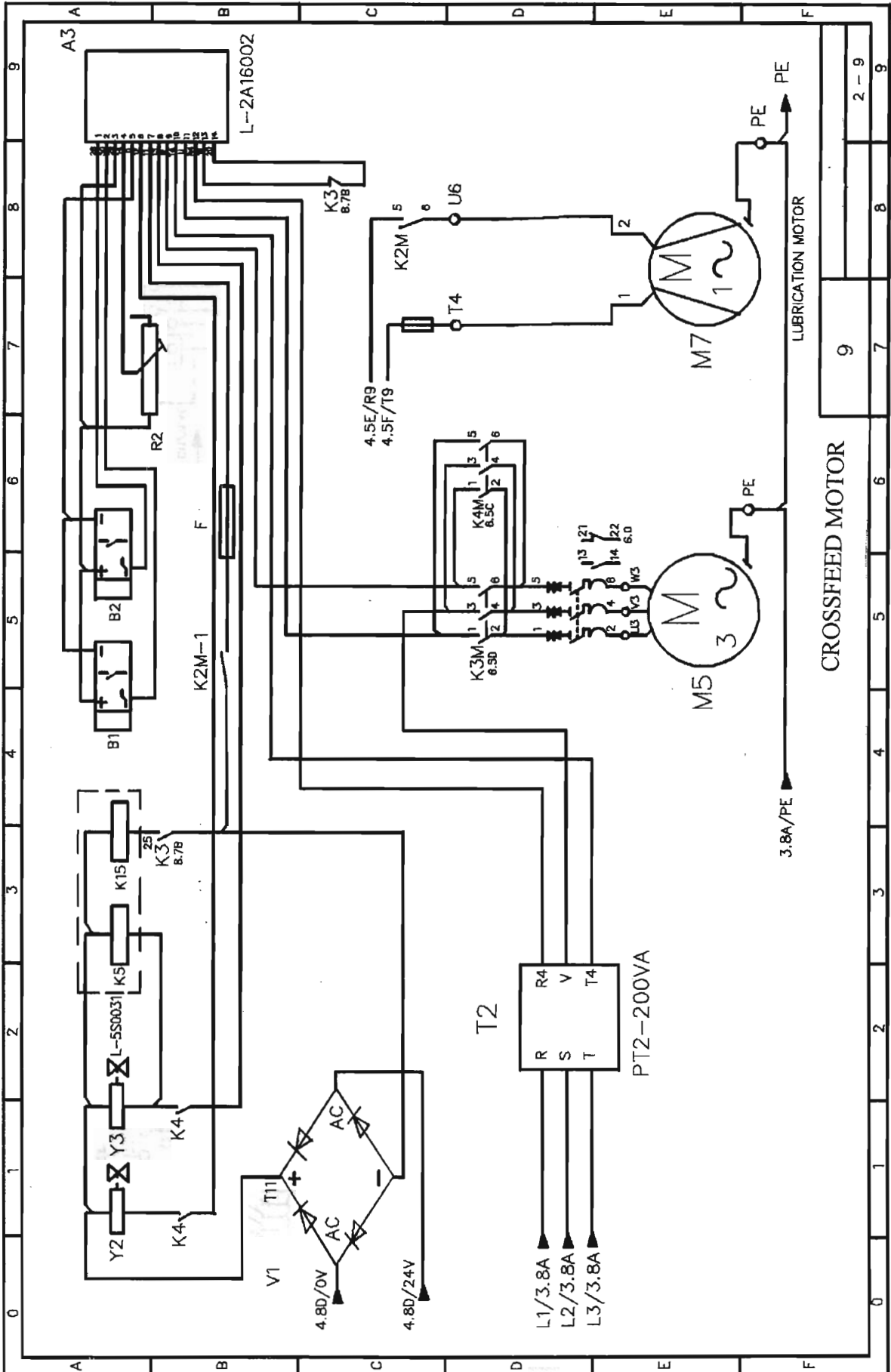
## 2.6: CONTROL CIRCUIT AND LAMP CIRCUIT



2.7: CROSSFEED CONTROL (REAR AND FRONT)

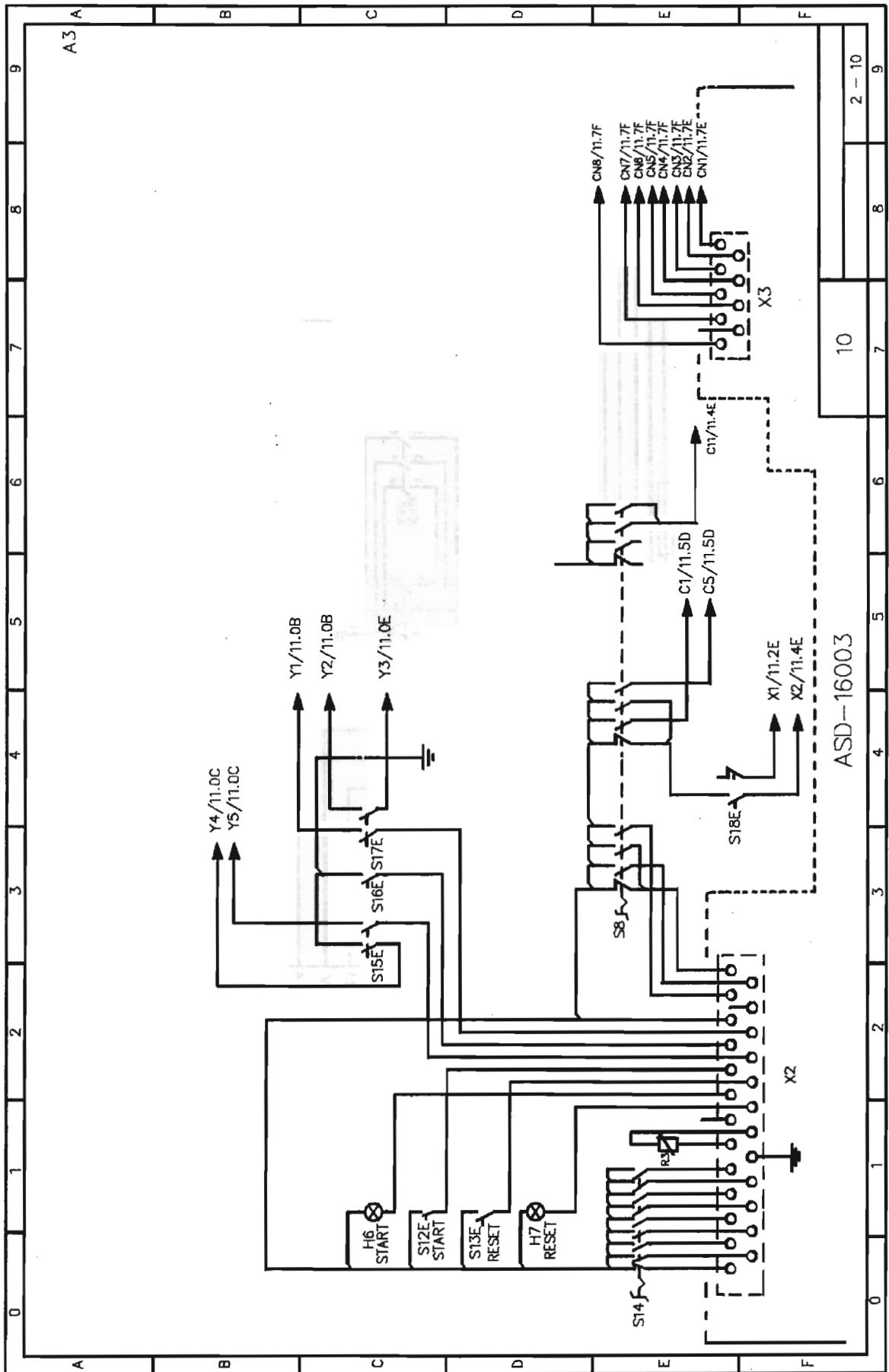


2.8: TABLE CONTROL AND CROSSFEED MOTOR CONTROL



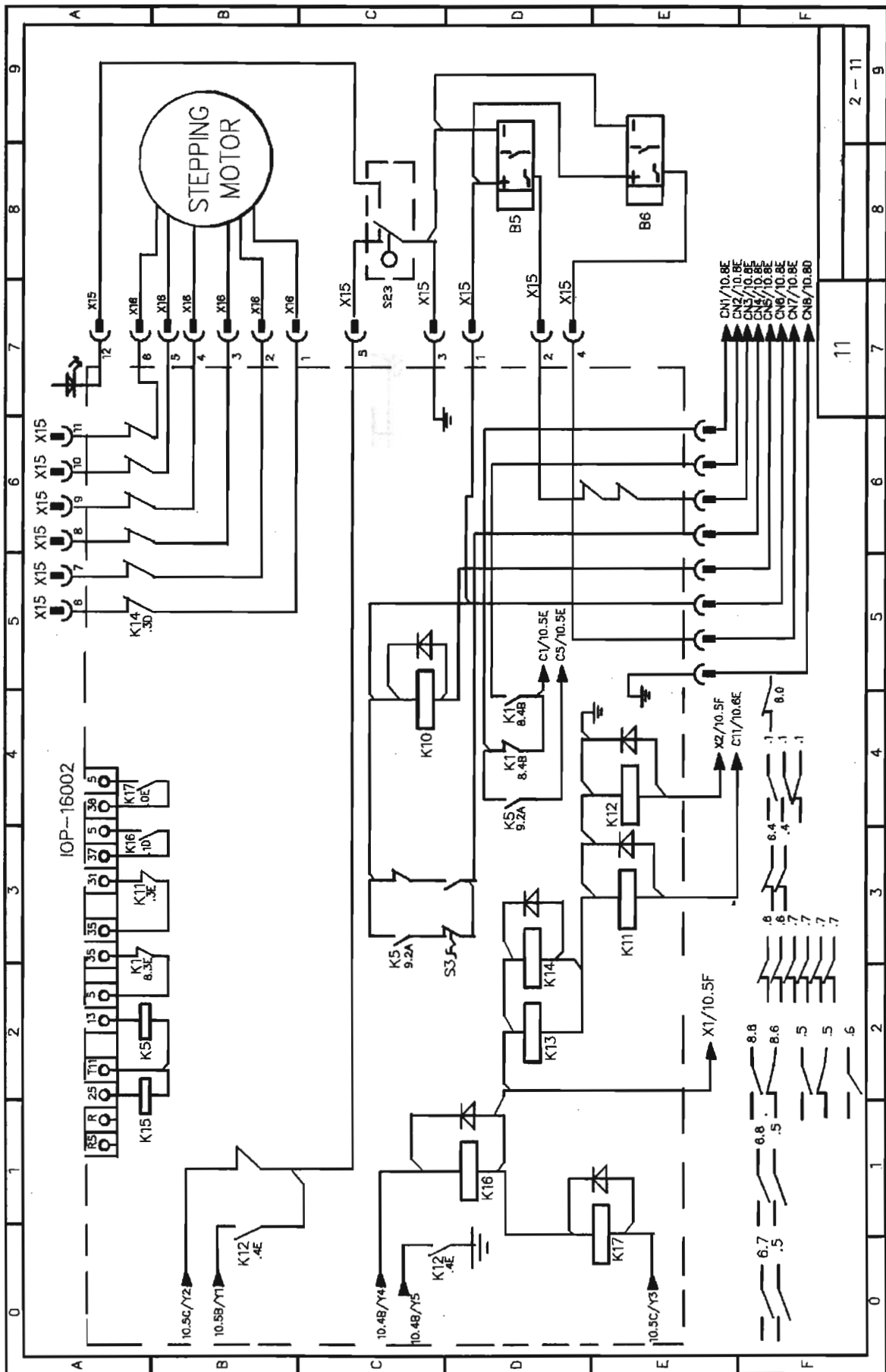


2.9: OPERATION SWITCH CIRCUIT

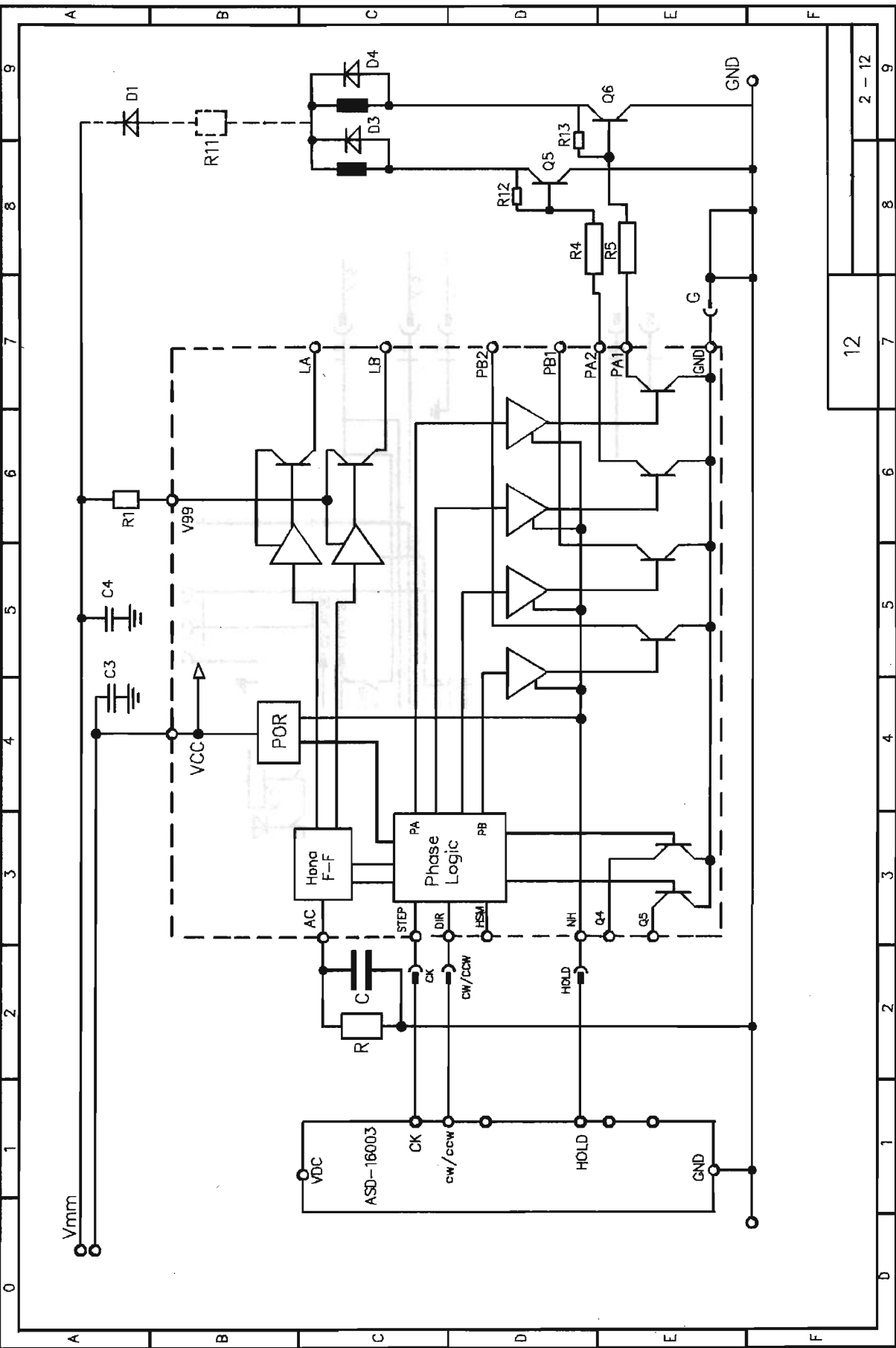


ASD-16003

2.10: PCB I/O CARD



2.11: STEPPING DEVICE PCB BOX (ESD-16002)



12

2 - 12

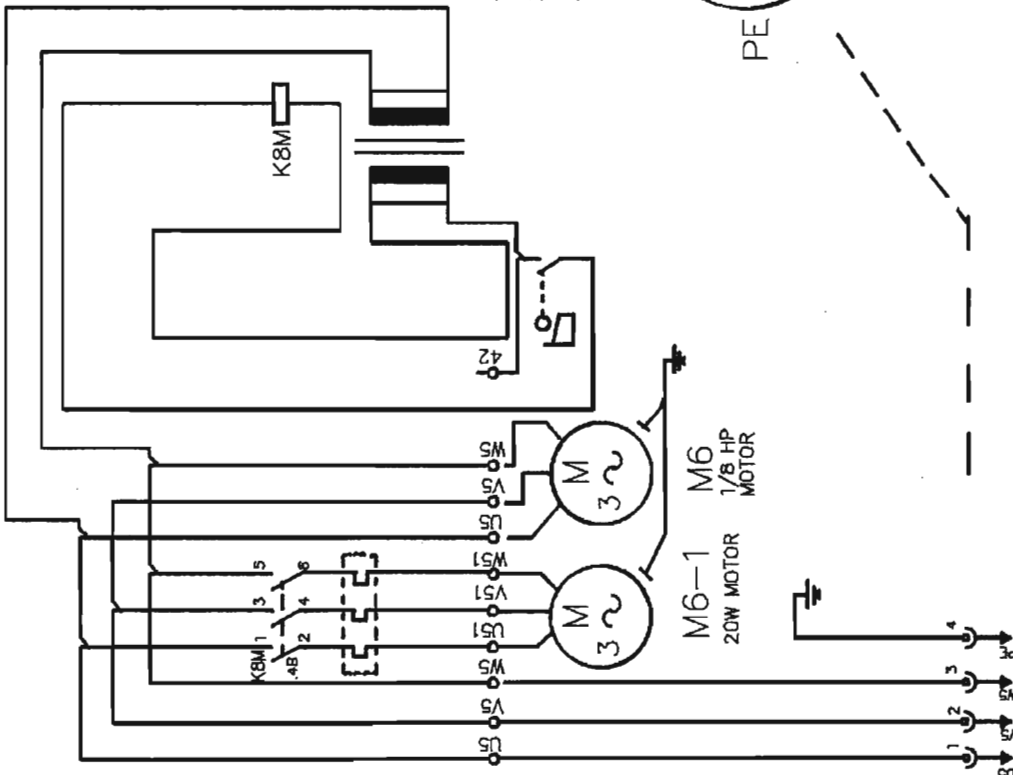
2.12: COOLANT CONTROL

**COOLANT**

230V/460V 3.8VA

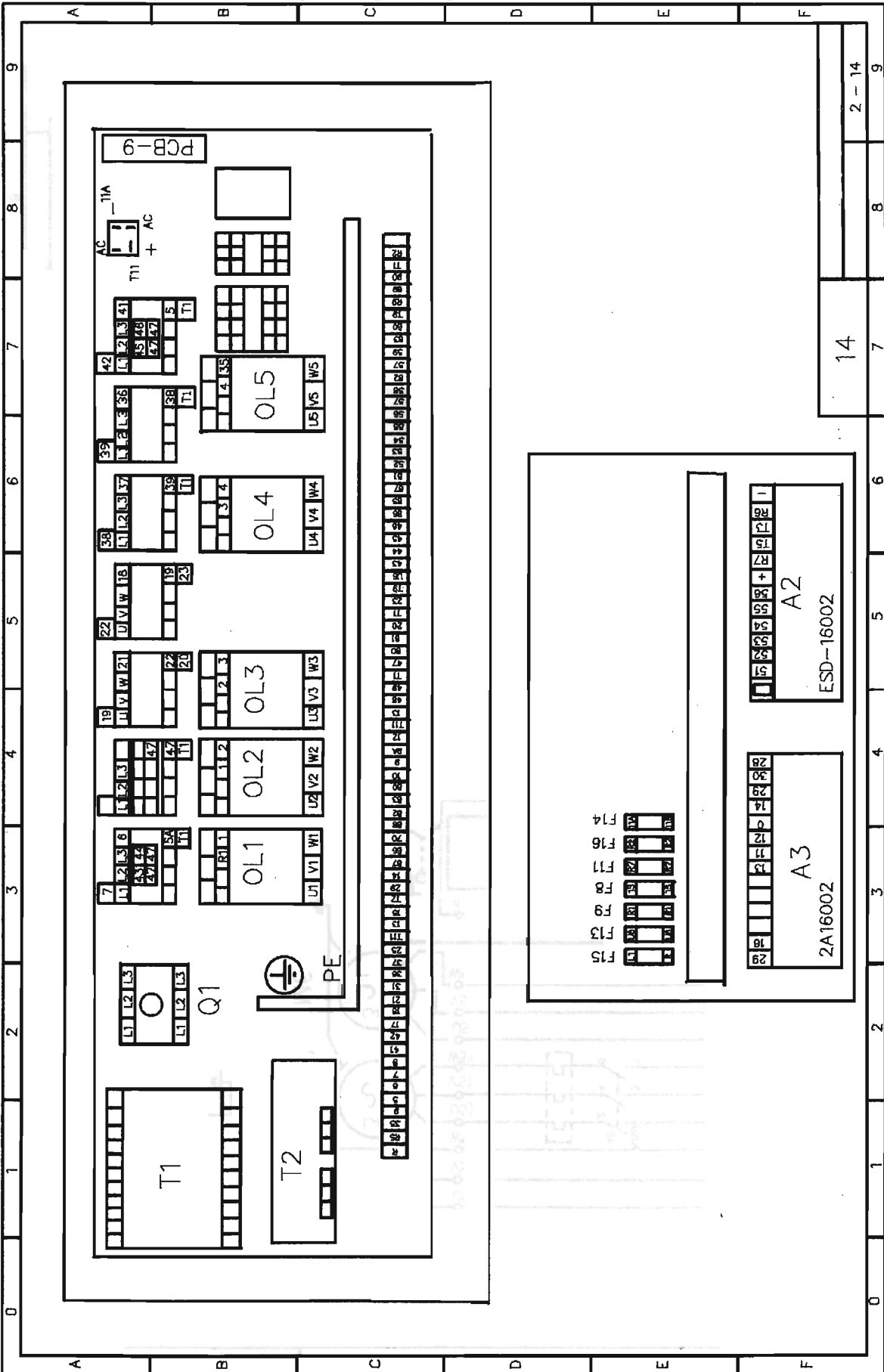
CN11 TAIAN 220V. 5.5KW

RH-10E/1.7C TAIAN

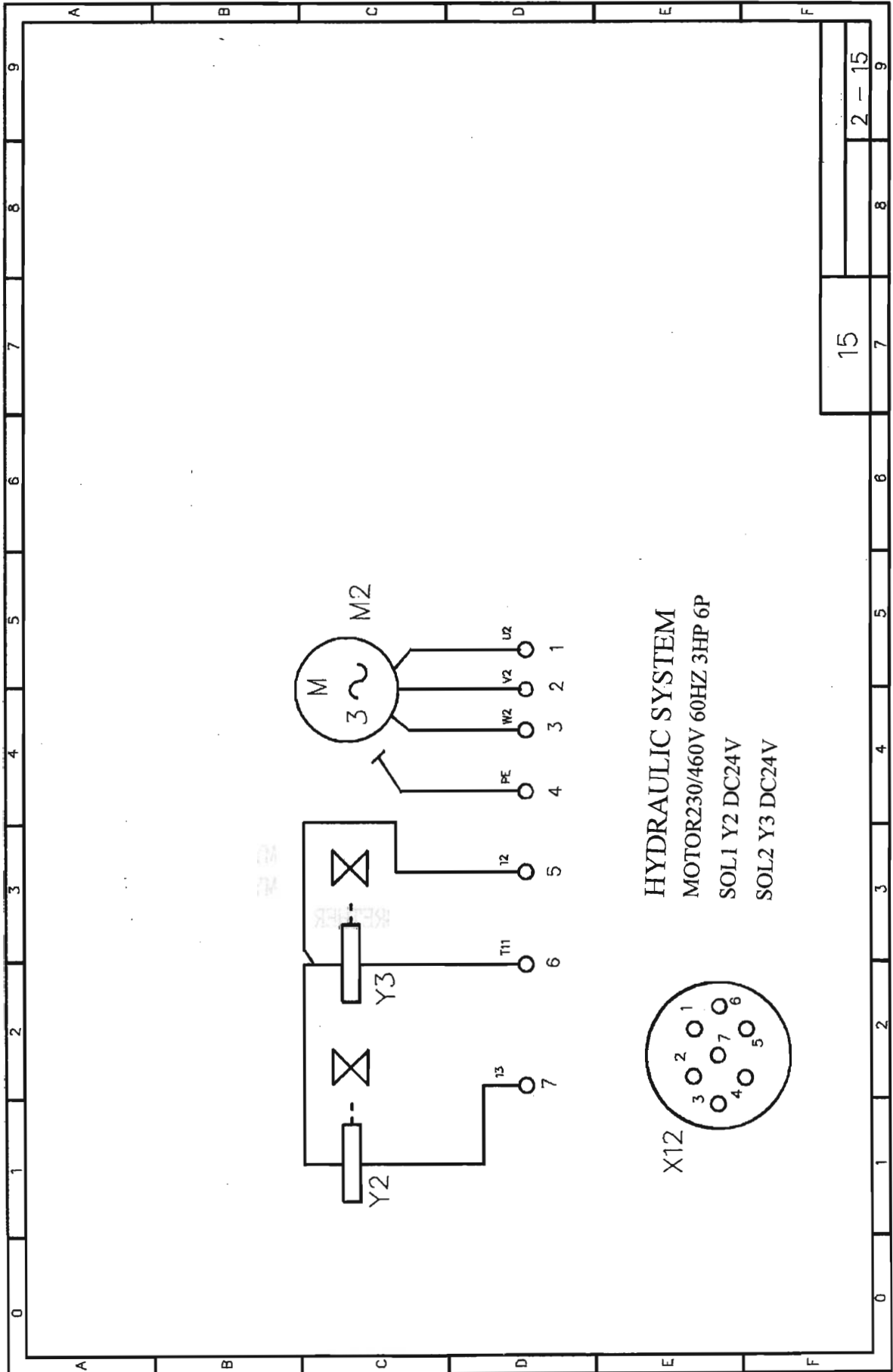


13

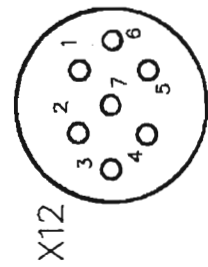
2.13: ELECTRICAL BOX LAYOUT



2.14: HYDRAULIC CONTROL CIRCUIT



HYDRAULIC SYSTEM  
 MOTOR230/460V 60HZ 3HP 6P  
 SOL1 Y2 DC24V  
 SOL2 Y3 DC24V



## CHAPTER 3:ELECTRICAL PARTS LIST

### 3.1: PARTS OF CONTROL SYSTEM

ELECTRICAL CODE.NO	PART NO.	SYMBOLIC DEFINITION	SUPPLIER	SUPPLIER'S REFERENCE	Remark
K1M	C109-D12004B7	24VAC	T E	LC1-12004B7	UL, VDE, CE
K2M	C26-D0901B7	24VAC	T E	LC1-D0901B7	UL, VDE, CE
K3M	C26-D0901B7	24VAC	T E	LC1-D0901B7	UL, VDE, CE
K4M	C26-D0901B7	24VAC	T E	LC1-D0901B7	UL, VDE, CE
K5M	C26-D0901B7	24VAC	T E	LC1-D0901B7	UL, VDE, CE
K6M	C26-D0901B7	24VAC	T E	LC1-D0901B7	UL, VDE, CE
K7M	C26-D0901B7	24VAC	T E	LC1-D0901B7	UL, VDE, CE
K1M-1	C110-DN11		T E	LA1-DN11A65	UL, VDE, CE
K2M-1	C76-DN40		T E	LA1-DN40A65	UL, VDE, CE
K7M-1	C110-DN11		T E	LA1-DN11A65	UL, VDE, CE
OL1	C115-RS20	13-18 A	T E	GV2-RS20	UL, VDE, CE
OL2	C114-RS14	6-10 A	T E	GV2-RS14	UL, VDE, CE
OL3	C111-RS06	1-1.6 A	T E	GV2-RS06	UL, VDE, CE
OL4	C112-RS07	1.6-2.5 A	T E	GV2-RS07	UL, VDE, CE
OL5	C113-RS08	2.5-4 A	T E	GV2-RS08	UL, VDE, CE
OL1-1	C116-AM11		T E	GV2-AM11	VDE
OL2-1	C116-AM11		T E	GV2-AM11	VDE
OL3-1	C116-AM11		T E	GV2-AM11	VDE
OL4-1	C116-AM11		T E	GV2-AM11	VDE
OL5-1	C116-AM11		T E	GV2-AM11	VDE
K1	C33-MY4-12V		OMRON	MY4-DC12V	UL, CSA
K2	C31-MY2-12V		OMRON	MY2-DC12V	UL, CSA
K3	C31-MY2-12V		OMRON	MY4-DC12V	UL, CSA
Q1		3P SW 32A 600V	BRETHERR	15KW AC23	
A1	C1002	135VAC 5A		CHUCK CONTROL	110VDC
A2	ESD-16002	MOTOR CONTROL		ESD-16002	
A3	2A16003	CROSSFEED CONTROL		2A16002(DC24V)	
T1	C104-550VA1PH			550VA/1PH	
T2	C09-250VA3PH			250VA/3PH	

3.2: PARTS OF OPERATION PANEL

OPERATION NO.	ELECTRICAL CODE.NO	PART NO.	SUPPLIER	SUPPLIER'S REFERENCE	Remark
1. (CE)	S0	C25-22R1B	MOELLER	RPV +K01	UL, VDE
1.	S0	C23-25R1B	TEND		
2.	S1	C20-161A1BG1	FUJI	AH164-TL	UL, VDE
3.	S2	C20-161A1BR1	FUJI	AH164-TL	UL, VDE
4.	S6E	C20-161A1BG1	FUJI	AH164-TL	UL, VDE
5.	S7E	C20-161A1BR1	FUJI	AH164-TL	UL, VDE
6.	R2	C79-VR105A	COSMOS	RV24YN	CE
7.	S15E	C19-162A2BW1	FUJI	AH164-TL	UL, VDE
8.	S16E	C20-161A1BW1	FUJI	AH164-TL	UL, VDE
9.	S17E	C19-162A2BW2	FUJI	AH164-TL	UL, VDE
10.	S4E	C19-162A2BW3	FUJI	AH164-TL	UL, VDE
11.	S5	C19-162A2BW4	FUJI	AH164-TL	UL, VDE
12.	S18E	C20-161A1BW2	FUJI	AH164-TL	UL, VDE
13.	S8	C03-5SW-2			
14.	S12E	C20-161A1BG2	FUJI	AH164-TL	UL, VDE
15.	S13E	C20-161A1BR2	FUJI	AH164-TL	UL, VDE
16.		DIS-16002		DIS-16002	
17.		DIS-16002		DIS-16002	
18.		DIS-16002		DIS-16002	
19.		DIS-16002		DIS-16002	
20.	S14	C04-12SW-1			
22.		C20-161A1BW3	FUJI	AH164-TL	UL, VDE
23.		C99-VR500KB			
24.		C99-VR50KB			
25.		C93-30SW2A1B	FUJI	AH30-3P	UL, VDE
26.	S16	C20-161A1BG1	FUJI	AH164-TL	UL, VDE
27.	S15	C20-161A1BR1	FUJI	AH164-TL	UL, VDE
28.		C20-161A1BW3	FUJI	AH164-TL	UL, VDE



3.3: PART OF LIMIT (OR PROXIMITY) SWITCHES

PART NO.	TECHNICAL DATA	SUPPLIER	SUPPLIER'S REFERENCE	SPECS	Remark
S20	15A 125VAC	OMRON		1NO, 1NC	UL, CSA
S21	15A 125VAC	OMRON	Z15G1308	1NO, 1NC	UL, CSA
S22	15A 125VAC	OMRON	Z15G1308	1NO, 1NC	UL, CSA
B3	12-24VDC 100mA	F.T.C	PL-5P (PROXIMITY)	PnP	
B4	12-24VDC 100mA	F.T.C	PL-5P (PROXIMITY)	PnP	
B1	12-24VDC 100mA	F.T.C	PL-5P (PROXIMITY)	PnP	
B2	12-24VDC 100mA	F.T.C	PL-5P (PROXIMITY)	PnP	
S23	15A 125VAC	OMRON	Z15G1308	1NO, 1NC	UL, CSA
B6	12-24VDC 100mA	F.T.C	PL-4P (PROXIMITY)	PnP	
B5	12-24VDC 100mA	F.T.C	PL-4P (PROXIMITY)	PnP	
S29	15A 125VAC	OMRON	Z15G1308	1NO, 1NC	UL, CSA
S31	15A 125VAC	OMRON		1NO, 1NC	UL, CSA

3.4: PART OF MOTOR

PART NO.	TECHNICAL DATA	SUPPLIER	SPECS	Remark
M2	3HP 230/460(60HZ) 6P	JIA-CHENG		
M1	5HP 230/460(60HZ) 6P	ADLEE		
M5	80W 220V 6P	ADLEE		
M4	1/4 HP 230/460(60HZ) 6P	TATUNG CO.		
M6	DC 2A	VEXTA	PK299-01A	
M7	110V PUMP	CHIBA	110V PUMP	3 PCS
Y2	DC24V SOL	NORTHMAN	D24 (DC24V)	
Y3	DC24V SOL	NORTHMAN	D24 (DC24V)	OPTIONAL
M1	10HP 230/460 60HZ 6P	ADLEE		OPTIONAL