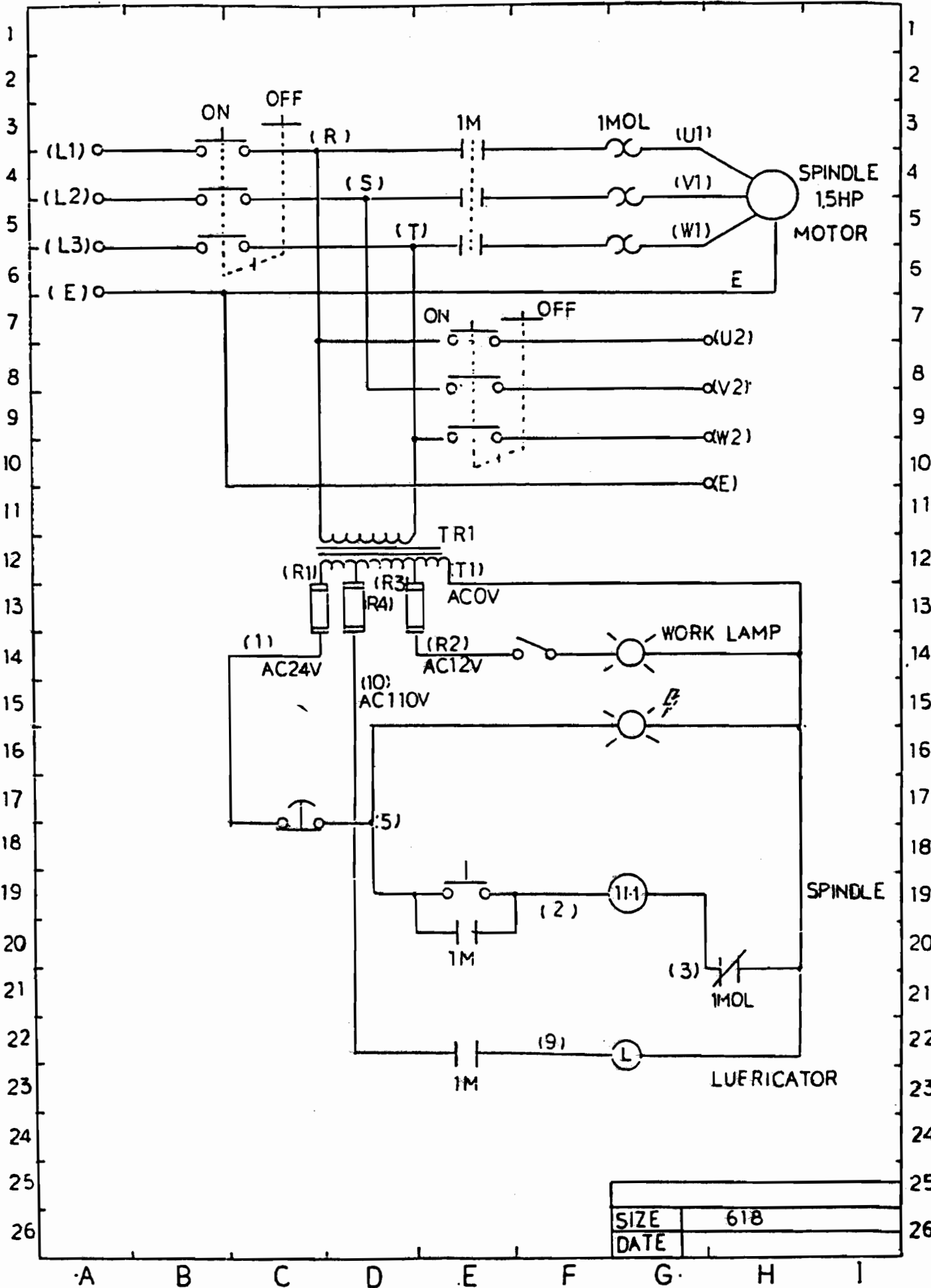


ELECTRICAL DIAGRAM



SIZE	618
DATE	