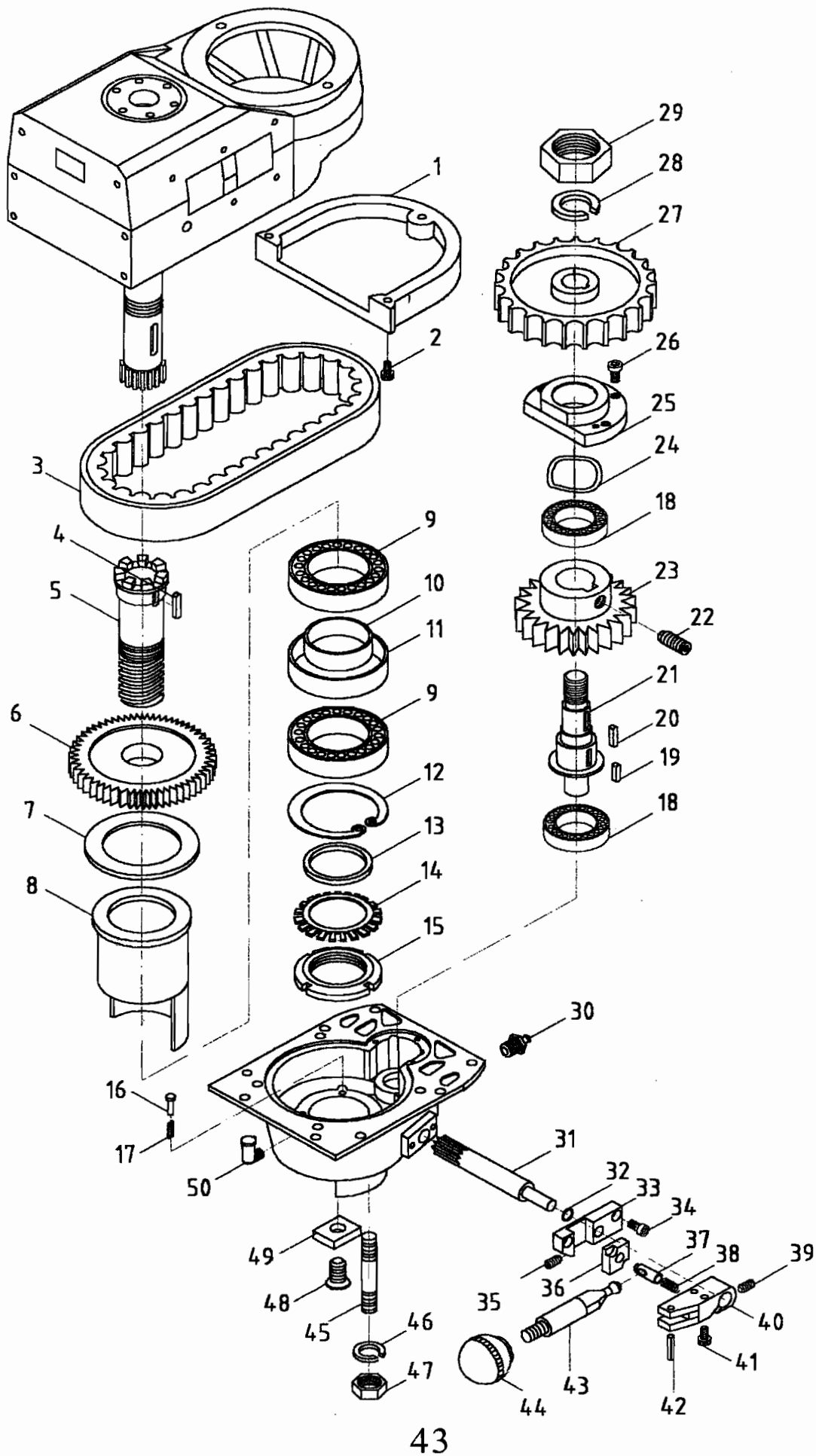


5HP E-mill HEAD TOP HOUSING



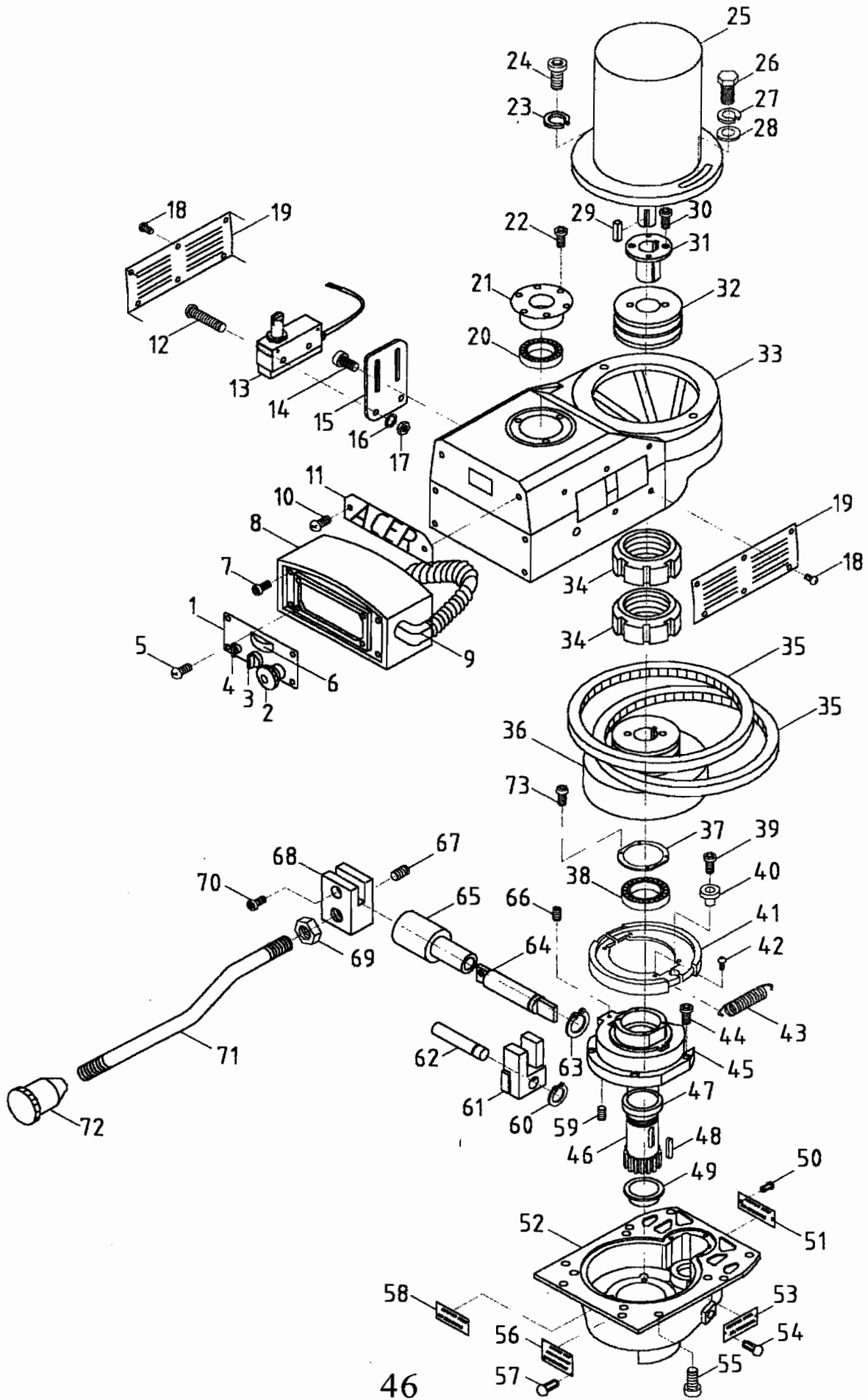
5HP E-mill HEAD TOP HOUSING

ITEM NO.	PARTS NO.	FACTORY NO.	DESCRIPTION	Q'TY
1	8054	VS11	Motor Pulley Cover	1
2	8055	VS12	Socket HD Cap Screw	3
3	5E7036	FVS63	Timing Belt	1
4	5E7081	FVS72	Key	1
5	5E7039	FVS73	Splined Gear Hub	1
6	5E7040	FVS74	Spindle Bull Gear	1
7	5E7057-2	FVS100	Bull Gear Washer	1
8	5E7048	FVS75	Ball Bearing Gear Sleeve	1
9	5E7041	FVS77	Bearing—6910VV	2
10	5E7043	FVS78	Bull Gear Bearing Spacer	1
11	5E7057	FVS79	Bearing Sleeve Spacer	1
12	5E7042	FVS80	Snap Ring	1
13	5E7039-1	FVS	Gear Hub Spacer	1
14	5E7058	FVS73-1	Wave Spring Washer	1
15	5E7056	FVS81	Bearing Lock Nut	1
16	7055-1	VS102	T-Tip Pin	3
17	7055	VS84	Compression Spring	3
18	7079	VS65	Ball Bearing-6203ZZ	2
19	7078	VS69	Key	1
20	7078	VS69	Key	1
21	7080	VS67	Bull Gear Pinion Counter Shaft	1
22	7077	VS03	Socket Set Screw	1
23	7083	VS66	Bull Gear Pinion	1
24	7082	VS64-1	Wave Spring Washer	1
25	7084	VS64	Bull Gear Pinion Bearing Cap	1
26	7085	VS12	Socket HD Cap Screw	3
27	5E7086	FVS62	Timing Belt Pulley	1
28	5E7087-1	FVS	Spring Washer	1
29	7087	VS61	Jam Nut	1
30	8063-3	VS82-4	Grease Nibble	1
31	5E7059	FVS87	Bull Gear Shrift Pinion Shaft	1
32	5E7059-1	VS	Wave Spring Washer	1
33	7060	VS89	Hi-Low Detent Plate	1
34	7068	VS12	Socket HD Cap Screw	2
35	7064	VS	Socket Set Screw	1
36	7065	VS89-1	Adjustable Plate	1

5HP E-mill HEAD TOP HOUSING

ITEM NO.	PARTS NO.	FACTORY NO.	DESCRIPTION	Q'TY
37	7066	VS90	Hi-Low Detent Plunger	1
38	7067	VS91	Spring	1
39	5E7071-1	VS	Socket Set Screw	1
40	7071	VS92	Hi-Low Pinion Block	1
41	7072-1	VS92-1	Socket HD Cap Screw	2
42	7072	VS88	Spring Pin	1
43	7070	VS94	Hi-Low Shift Crank	1
44	7069	B24	Bakelite Ball	1
45	5E7063	FVS85	Stud	3
46	5E7062	FVS85-1	Spring Washer	3
47	5E7061	FVS85-2	Hex Nut	3
48	5E7049-1	FVS83-1	Flat HD Cap Screw	2
49	5E7049-2	FVS83-2	Brass Locating Plate	2
50	7054	VS82-1	Oil Cup	1

5HP E-mill HEAD BACK GEAR



5HP E-mill HEAD BACK GEAR

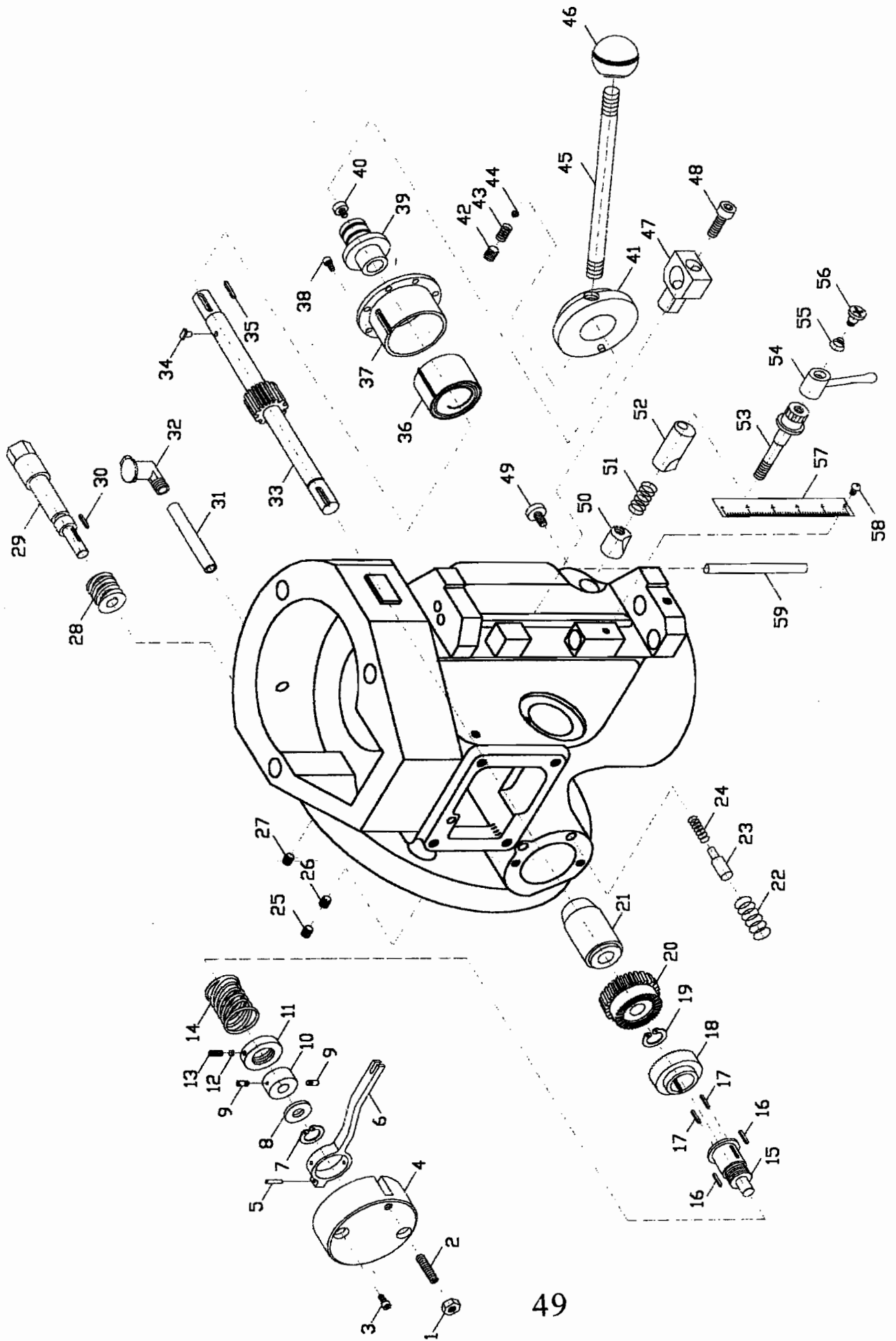
ITEM NO.	PARTS NO.	FACTORY NO.	DESCRIPTION	Q'TY
1	5EH7023-1	FVS16-5	Chrome Face Plate	1
2	9500	VS	Emergency Switch	1
3	9501	VS	F/R Switch	1
4	9502	VS	Variable Resistor	1
5	7022-1	VS17-1	Round Socket Cap Screw	4
6	5E9503	VS	RPM Meter	1
7	H7025	VS17	Socket HD Cap Screw	4
8	H7005-1	VS16-6	Speed Changer Housing	1
9	9504	VS	Control Wire Cable	1
10	H8010-3	VS1-6	Round Socket Cap Screw	2
11	H8010-1	VS1-4	ACER Name Plate	1
12	7022-2	VS	Round Socket Cap Screw	2
13	9505	VS	Limit Switch w/Cable	1
14	7022-5	VS	Socket HD Cap Screw	2
15	H8010-2	VS1-5	Limit Switch Bracket Plate	1
16	7022-3	VS	Spring Washer	2
17	7022-4	VS	Hex Nut	2
18	H7088-1	VS101-1	Round Cap Wooden Screw	12
19	H7088	VS101	Ventilator	2
20	5E8004	FVS15	Ball Bearing—6209ZZ	1
21	5E7013	FVS13	Top Bearing Cap	1
22	8001	VS14	Socket HD Cap Screw	3
23	8009-3	VS	Wave Lock Washer	1
24	8009	VS	Socket HD Cap Screw	1
25	5E8008-1	VS	5 HP Spindle Motor	1
26	8009	VS	Socket HD Cap Screw	1
27	8009-3	VS	Wave Lock Washer	1
28	8009-2	VS	Washer	1
29	8039-1	VS06-1	Key	1
30	8040-3	VS02-3	Hex HD Screw	2
31	8040-2	VS02-2	V-Belt Pulley Sleeve	1
32	5E8040-1	FVS02-1	3V Belt Pulley	1
33	5E8010	FVS01	Belt Housing	1
34	5E8034-1	FVS70-2	Spindle Hub Lock Nut	2
35	5E8027-1	FVS04-1	3V Belt	2
36	5E8028-1	FVS45-1	Stationary Driven Pulley	1
37	5EH8053-3	FVS50-3	Brake Shoe Lock Plate	1
38	5E8023	FVS43	Ball Bearing—6013VV	1
39	8035	VS14	Round Socket Cap Screw	1

5HP E-mill HEAD BACK GEAR

ITEM NO.	PARTS NO.	FACTORY NO.	DESCRIPTION	Q'TY
40	8036	VS48	Brake Shoe Pivot Sleeve	1
41	5E8032	FVS47	Brake Shoe Assembly	1
42	8032-1	VS47-1	Round Cap Screw	4
43	8031	VS49	Brake Spring	2
44	H8064	VS51	Socket HD Cap Screw	4
45	5EH8053-2	FVS50-2	Belt Housing Base	1
46	5E8034-5	FVS70-1	Spindle Pulley Hub	1
47	5E8033	FVS98	Spindle Pulley Spacer	1
48	5E8049-1	FVS71-1	Key	1
49	5E7038	FVS105	Timing Pulley Clutch	
			Sleeve	1
50	8059	VS	Drive Screw	2
51	8063-2	VS01-1	Grease Add Name Plate	1
52	5EH8063	FVS82	Gear Housing	1
53	8058	VS82-2	Hi-Low Range Name Plate	1
54	8059	VS	Drive Screw	2
55	8055	VS12	Socket HD Cap Screw	8
56	8061	VS82-1	Quill Feed Name Plate	1
57	8059	VS	Drive Screw	4
58	H8063-1	VS82-3	Oil Add Name Plate	1
59	H8077	VS99	Socket Set Screw	1
60	8066	VS60	Snap Ring	1
61	8067	VS59	Brake Operating Finger	2
62	8068	VS58	Brake Finger Pivot Stud	1
63	8066-1	VS60-1	Snap Ring	1
64	H8074	VS53	Brake Lock Shaft	1
65	H8073	VS52	Sleeve for Brake Lock	
			Shaft	1
66	H8077	VS99	Socket Set Screw	1
67	8072	VS54-1	Socket Set Screw	1
68	8070-2	VS54	Brake Handle Block	1
69	8070-1	VS56-1	Hex Nut	1
70	8071-1	VS55-1	Socket HD Cap Screw	1
71	5E8070	FVS56	Brake Lock Handle	1
72	8069	VS57	Bakelite Ball Handle	1
73	5EH8053-4		Round Socket Cap Screw	4

Note: To order parts for milling head, basic machine and table assembly, please search the main manual for the right part number.

(MILLING HEAD) HAND FEED ASS'Y



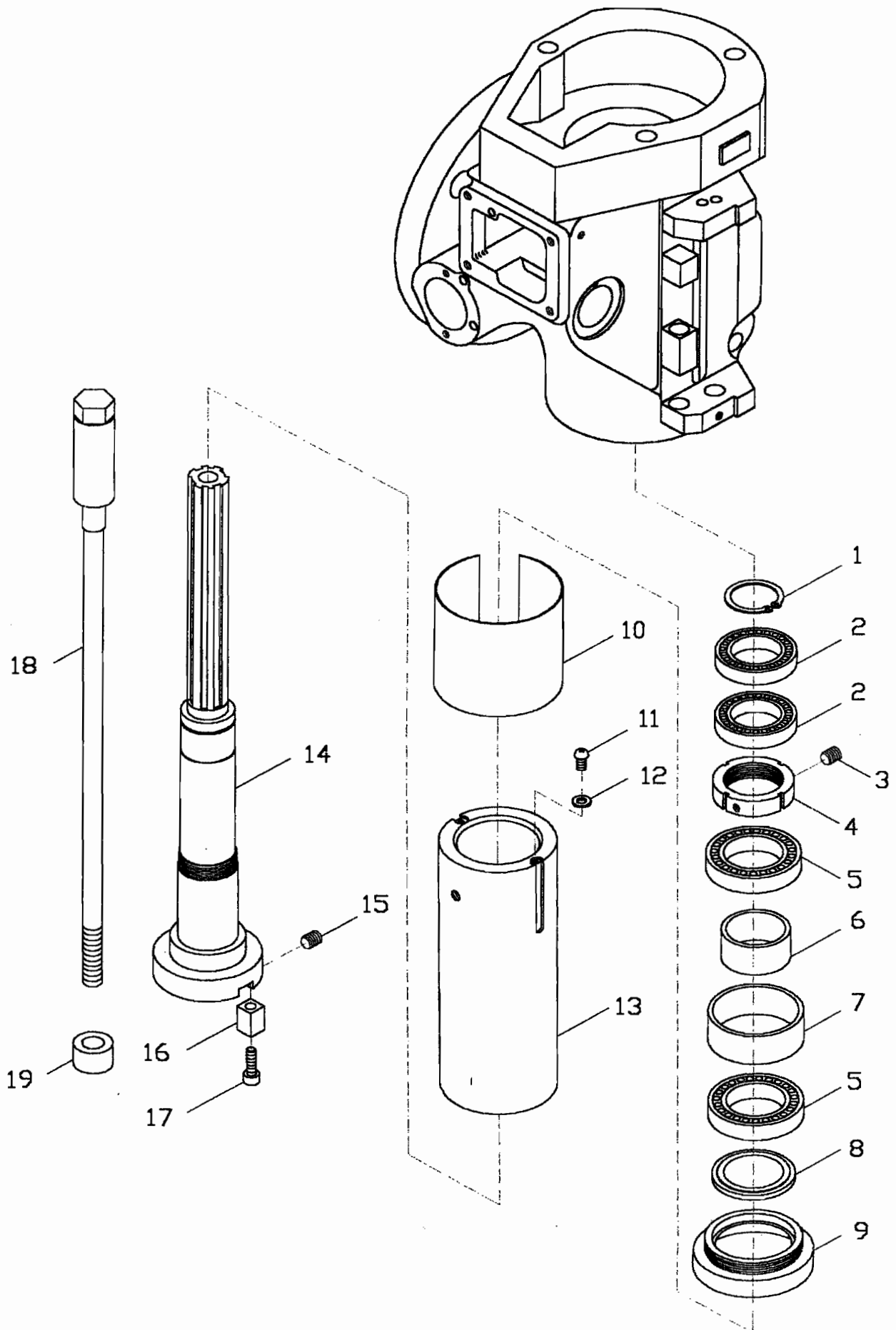
5HP (MILLING HEAD) HAND FEED ASS'Y

ITEM NO.	PARTS NO.	FACTORY NO.	DESCRIPTION	Q'TY
1	5K-6208	M6	Hex Nut	1
2	5K-6207	M6x16	Socket Set Screw	1
3	5K-6206	M5x35	Socket HD Cap Screw	2
4	5K-6205	B99	Clutch Arm Cover	1
5	5K-6204	5x20	Roll Pin	1
6	5K-6203	FB96	Overload Clutch Trip Lever	1
7	5K-6195-1	C10	Snap Ring	1
8	5K-6201	B97	Overload Clutch Washer	1
9	5K-6202	B74	Clutch Ring Pin	2
10	5K-6200	B75	Clutch Ring	1
11	5K-6198	B78	Overload Clutch Lock nut	1
12	5K-6199-1		Brass Plug	1
13	5K-6199	M6x6	Socket Set Screw	1
14	5K-6197	FB79	Safety Clutch Spring	1
15	5K-6195	FB81	Overload Clutch Sleeve	1
16	5K-6196	5x20	Key	2
17	5K-6196	5x25	Key	2
18	5K-6194	FB80	Overload Clutch	1
19	5K-6188-1	C16	Snap Ring	1
20	5K-6187+88	FB92+93	Overload Clutch Worm Gear and Ring	1
21	5K-6186	FB90+91	Quill Pinion Shaft Bushing	1
22	5K-6192	B88-1	Compression Spring	1
23	5K-6193	B89	Overload Clutch Lever Spring Plunger	1
24	5K-6191	FB88	Compression Spring	1
25	5K-6246-1	M6x6	Socket Set Screw	1
26	5K-6246	M6x16	Lock Screw	1
27	5K-5042		Set Screw Plunger	1
28	5K-5039	B186	Worm Gear	1
29	5K-5040	FB189	ADJ Worm Shaft	1

5HP (MILLING HEAD) HAND FEED ASS'Y

ITEM NO.	PARTS NO.	FACTORY NO.	DESCRIPTION	Q'TY
30	5K-5041	4x20	Key	1
31	5K-6133-1		Bronze Tubing	1
32	5K-6133		Oil Cup	1
33	5K-6172	FB166	Quill Pinion Shaft	1
34	5K-6172-1	B168	Cap Tip- T shape	1
35	5K-6184	3x20	Key	1
36	5K-6181	FB178	Clock Spring	1
37	5K-6180	FB177	Spring Cover	1
38	5K-6180-1	M5x12	Socket HD Cap Screw	2
39	5K-6182	B176	Pinion Shaft Hub Sleeve	1
40	5K-6183	B172	Pinion Shaft Hub Screw	1
41	5K-6178	B175	Rack Feed Handle Hub	1
42	5K-6177	M8x6	Socket Set Screw	1
43	5K-6175		Compression Spring	1
44	5K-6176		Steel Ball	1
45	5K-6174	B190	Pinion Shaft Hub Handle	1
46	5K-6173	B191	Black Plastic Ball	1
47	5K-6105	FB164	Quill Stop Knob	1
48	5K-6106	3/8x5/8x24T	Socket HD Cap Screw	1
49	5K-6253	B154	Cap Screw	1
50	5K-6116B	B148	Quill Lock Sleeve Tapped	1
51	5K-6116-1	B152-1	Compression Spring	1
52	5K-6116A	FB153	Quill Lock Sleeve	1
53	5K-6117	FB152	Quill Lock Bolt	1
54	5K-6119	FB149	Lock Handle	1
55	5K-6117-1		Spring	1
56	5K-6117-2		Spring Screw	1
57	5K-6243	B159	Micrometer Scale	1
58	5K-6244	M4x8	Round HD Cap Screw	2
59	5K-6251	B147	Set Bar	1

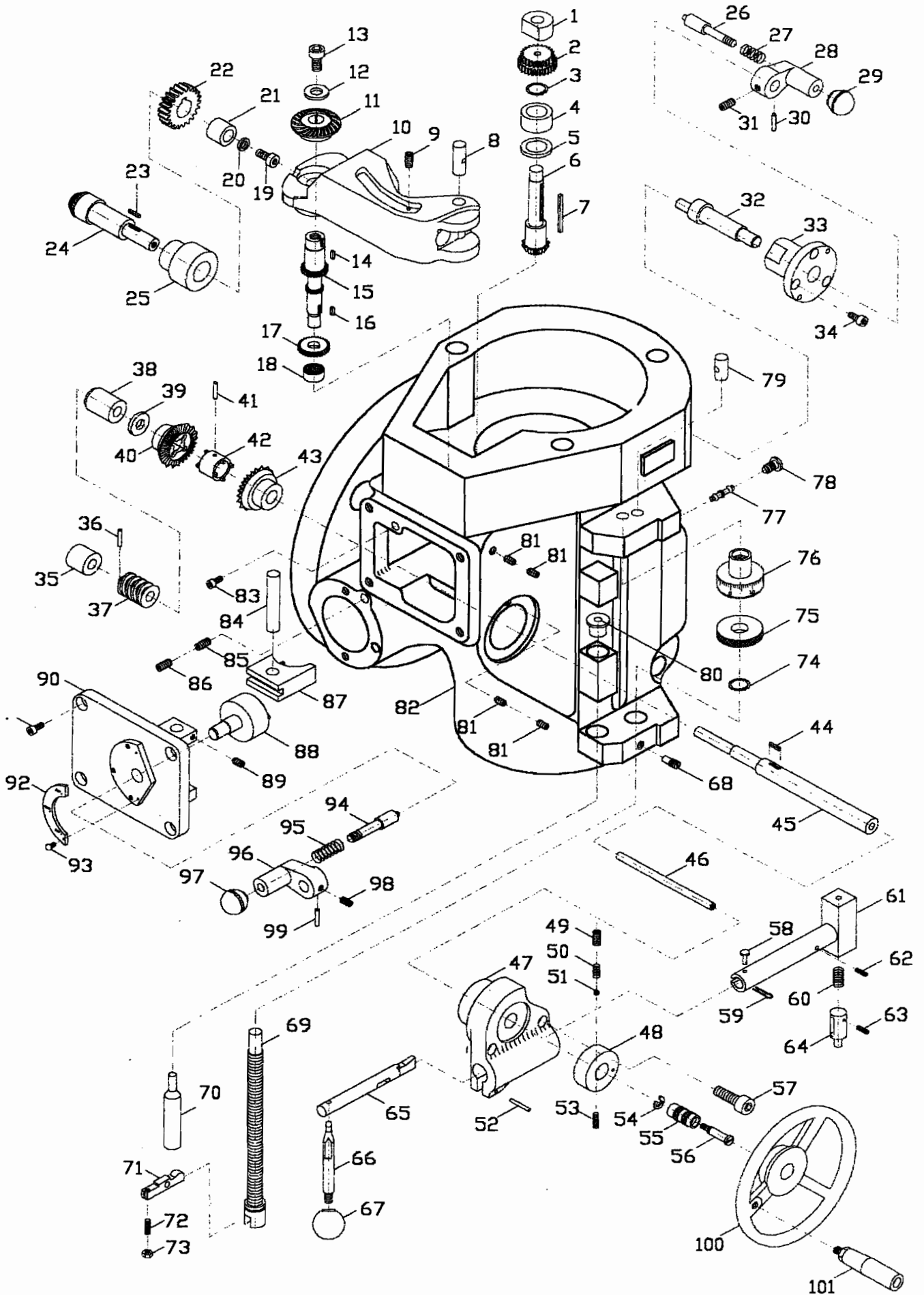
(MILLING HEAD) SPINDLE ASS'Y



5HP (MILLING HEAD) SPINDLE ASS'Y

ITEM NO.	PARTS NO.	FACTORY NO.	DESCRIPTION	Q'TY
1	5K-6090	C40	Snap Ring	1
2	5K-6092		Ball Bearing- 6008LLB	2
3	5K-6094-1	M8x6	Socket Set Screw	2
4	5K-6094	FB129	Lock Nut	1
5	5K-6093		Ball Bearing- 7010	2
6	5K-6096	FB137	Bearing Spacer- Small	1
7	5K-6095	FB136	Bearing Spacer- Large	1
8	5K-6097	FB134	Spindle Dirt Shield	1
9	5K-6098	FB133	Nose Piece	1
10	5K-6086	FB128	Quill Skirt	1
11	5K-6088-1	M5x8	Felt Washer Screw	2
12	5K-6088-2	M5	Washer	2
13	5K-6085	FB142	Quill	1
14	5K-6084	FB127	Spindle #40	1
15	5K-6085-1	M5x8	Socket Set Screw	1
16	5K-6099	FB127-1	Keeper Key	2
17	5K-6100	M8x25	Socket HD Cap Screw	2
18	5K-8014		Drawbar	1
19	5K-8020		Drawbar Washer	1

(MILLING HEAD) AUTO FEED ASS'Y



5HP (MILLING HEAD) AUTO FEED ASS'Y

ITEM NO.	PARTS NO.	FACTORY NO.	DESCRIPTION	Q'TY
1	5K-6157	B27	Cluster Gear Shaft Upper Bearing	1
2	5K-6153	FB28	Cluster Gear Assembly	1
3	5K-6158	C16	Snap Ring	1
4	5K-6156	FB33	Bevel Gear Bearing	1
5	5K-6159	FB34	Bevel Gear Thrust Spacer	1
6	5K-6151	FB31+35	Cluster Gear Shaft	1
7	5K-6160	M3x35	Cluster Gear Key	1
8	5K-6122	B16	Feed Engage Pin	1
9	5K-6123	M6x6	Socket Set Screw	1
10	5K-6121	FB17	Worm Gear Cradle	1
11	5K-6148	FB15	Feed Reverse Bevel Gear	1
12	5K-6149	FB13, 3/8"	Washer	1
13	5K-6150	3/8x1/4	Socket HD Cap Screw	1
14	5K-6147	3x8	Key	1
15	5K-6143	FB36	Feed Driving Gear Shaft	1
16	5K-6145	3x10	Key	1
17	5K-6144	FB40	Feed Drive Gear	1
18	5K-6252	BA66	Needle Bearing	1
19	5K-6124	M6x12	Socket HD Cap Screw	1
20	5K-6140	M6	Washer	1
21	5K-6136-1		Worm Gear Bushing	1
22	5K-6134		Feed Drive Worm Gear	1
23	5K-6135	3x12	Key	1
24	5K-6139		Feed Bevel Pinion	1
25	5K-6136+37		Worm Gear Cradle Bushing	1
26	5K-6169	B20	Gear Shift Plunger	1
27	5K-6170	B21	Compression Spring	1
28	5K-6168	B23	Shift Crank	1
29	5K-6131	B24	Black Plastic Ball	1
30	5K-6128	3x20	Spring Pin	1

5HP (MILLING HEAD) AUTO FEED ASS'Y

ITEM NO.	PARTS NO.	FACTORY NO.	DESCRIPTION	Q'TY
31	5K-6168-1	M5x5	Socket Set Screw	1
32	5K-6126	B18	Worm Gear Cradle Throw-out	1
33	5K-6125	B19	Shift Sleeve	1
34	5K-6132	M5x12	Socket HD Cap Screw	3
35	5K-6227	B42	Bushing	1
36	5K-6226	3x10	Spring Pin	1
37	5K-6225	B43	Worm	1
38	5K-6224	FB44	Feed Worm Shaft Bushing	1
39	5K-6223	B47	Feed Worm Shaft Thrust Washer	1
40	5K-6220	B48+49	Feed Reverse Bevel Gear	1
41	5K-6217	3x20	Spring Pin	1
42	5K-6222	B50	Feed Reverse Clutch	1
43	5K-6220	B48+49	Feed Reverse Bevel Gear	1
44	5K-6230	3x15	Key	1
45	5K-6209	FB57	Feed Worm Shaft	1
46	5K-6216	FB55	Reverse Clutch Rod	1
47	5K-6231	FB106	Feed Trip Bracket	1
48	5K-6218	B113	Handwheel Clutch	1
49	5K-6219-1	M8x6	Socket Set Screw	1
50	5K-6219-2	B115	Compression Spring	1
51	5K-6255	B114	Steel Ball	1
52	5K-6231-1	5x20	Dowel Pin	1
53	5K-6219	M6x6	Socket Set Screw	1
54	5K-6215	B112, E5	Snap Ring	1
55	5K-6213	B111	Reverse Knob	1
56	5K-6214	B110	Feed Reverse Knob Stud	1
57	5K-6232	M6x25	Socket HD Cap Screw	2
58	5K-6236-1		Dowel Pin	1
59	5K-6241-1	#2	Y Pin	1
60	5K-6242	B120	Compression Spring	1

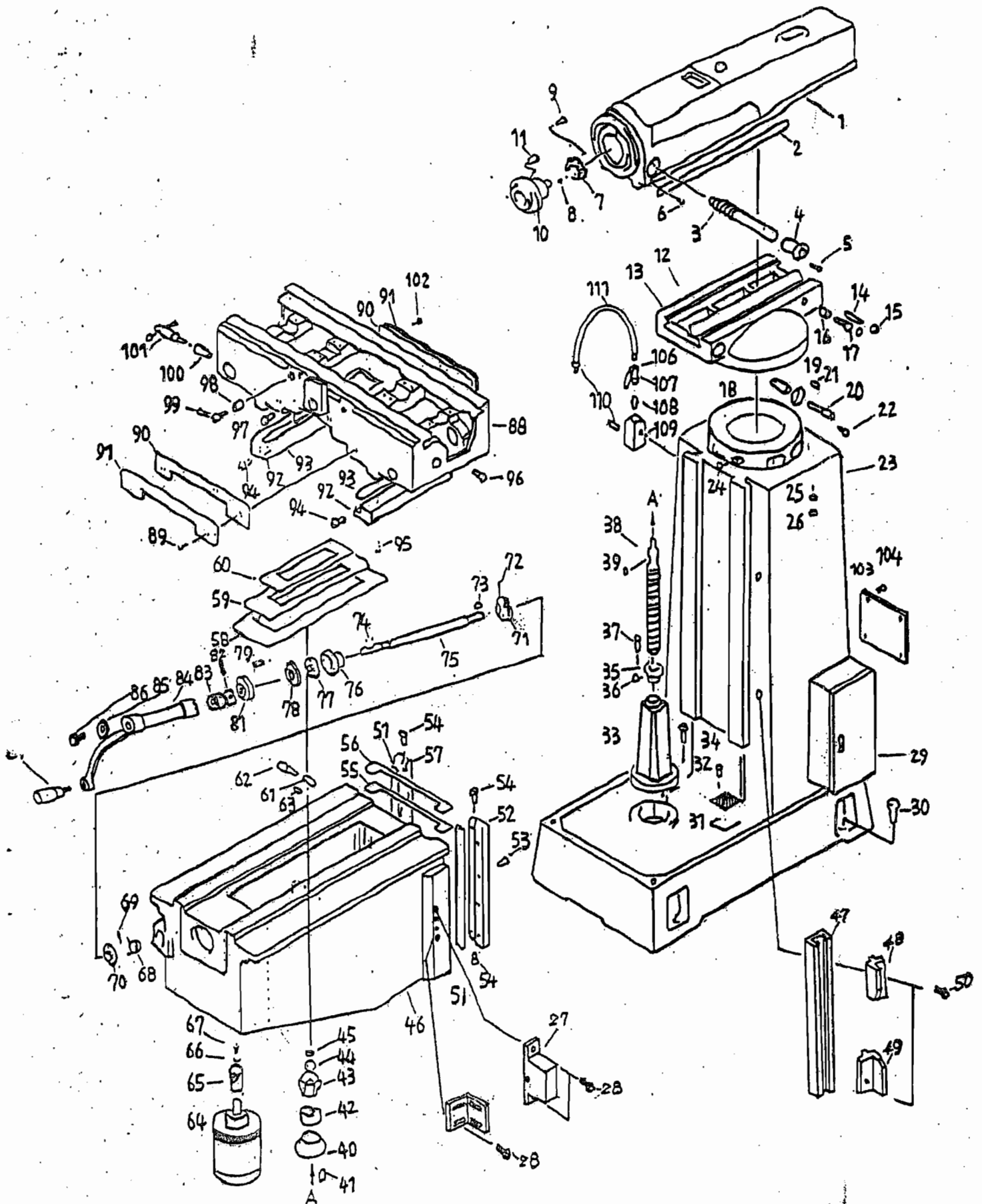
5HP (MILLING HEAD) AUTO FEED ASS'Y

ITEM NO.	PARTS NO.	FACTORY NO.	DESCRIPTION	Q'TY
61	5K-6236	FB118	Cam Rod Sleeve Assembly	1
62	5K-6237	3x16	Spring Pin	1
63	5K-6241	3x12	Spring Pin	1
64	5K-6240	B121	Trip Plunger	1
65	5K-6239	FB103	Cam Rod	1
66	5K-6234	FB104	Trip Handle	1
67	5K-6131	B24	Black Plastic Ball	1
68	5K-6112		Trip Lever Pin	1
69	5K-6104	B164	Quill Stop Micro-Screw	1
70	5K-6118	B124	Feed Trip Plunger	1
71	5K-6111	B145	Feed Trip Lever	1
72	5K-6113	B146, M4x20	Socket Set Screw	1
73	5K-6113-1	M4	Hex Nut	1
74	5K-6115	C16	Snap Ring	1
75	5K-6108	B161	Quill Micro-Stop Nut	1
76	5K-6107	B162	Micrometer Nut	1
77	5K-6110	B183	Reverse Trip Ball Lever	1
78	5K-6114	B185	Reverse Trip Ball Lever Screw	1
79	5K-6109	B184	Feed Reverse Trip Plunger	1
80	5K-6118-1	B123	Trip Plunger Bushing	1
81	5K-6246	M6x8	Socket Set Screw	4
82	5K-6101	FB192	Quill Housing	1
83	5K-6101-1	M6x30	Socket HD Cap Screw	1
84	5K-6163	B60	Feed Shift Rod	1
85	5K-6228	M6x12	Mock-It Lock Screw	1
86	5K-6228-1	M6x8	Socket Set Screw	1
87	5K-6162	B63	Feed Gear Shift Fork	1
88	5K-6166	FB64	Cluster Gear Shift Crank	1
89	5K-6164	M5x5	Socket Set Screw	1
90	5K-6161	FB66	Cluster Gear Cover	1
91	5K-6165	M5x12	Socket HD Cap Screw	4

5HP (MILLING HEAD) AUTO FEED ASS'Y

ITEM NO.	PARTS NO.	FACTORY NO.	DESCRIPTION	Q'TY
92	5K-6165-1	VS66-1	Feed Rate Plate	1
93	5K-6165-2		Drive Screw	2
94	5K-6169	B20	Gear Shift Plunger	1
95	5K-6170	B21	Compression Spring	1
96	5K-6168	B23	Shift Crank	1
97	5K-6171	B24	Black Plastic Ball	1
98	5K-6168-1	M5x5	Socket Set Screw	1
99	5K-6167	3x20	Spring Pin	1
100	5K-6210	B125	Handwheel	1
101	5K-6210-1	B126	Handle	1

BASIC MACHINE



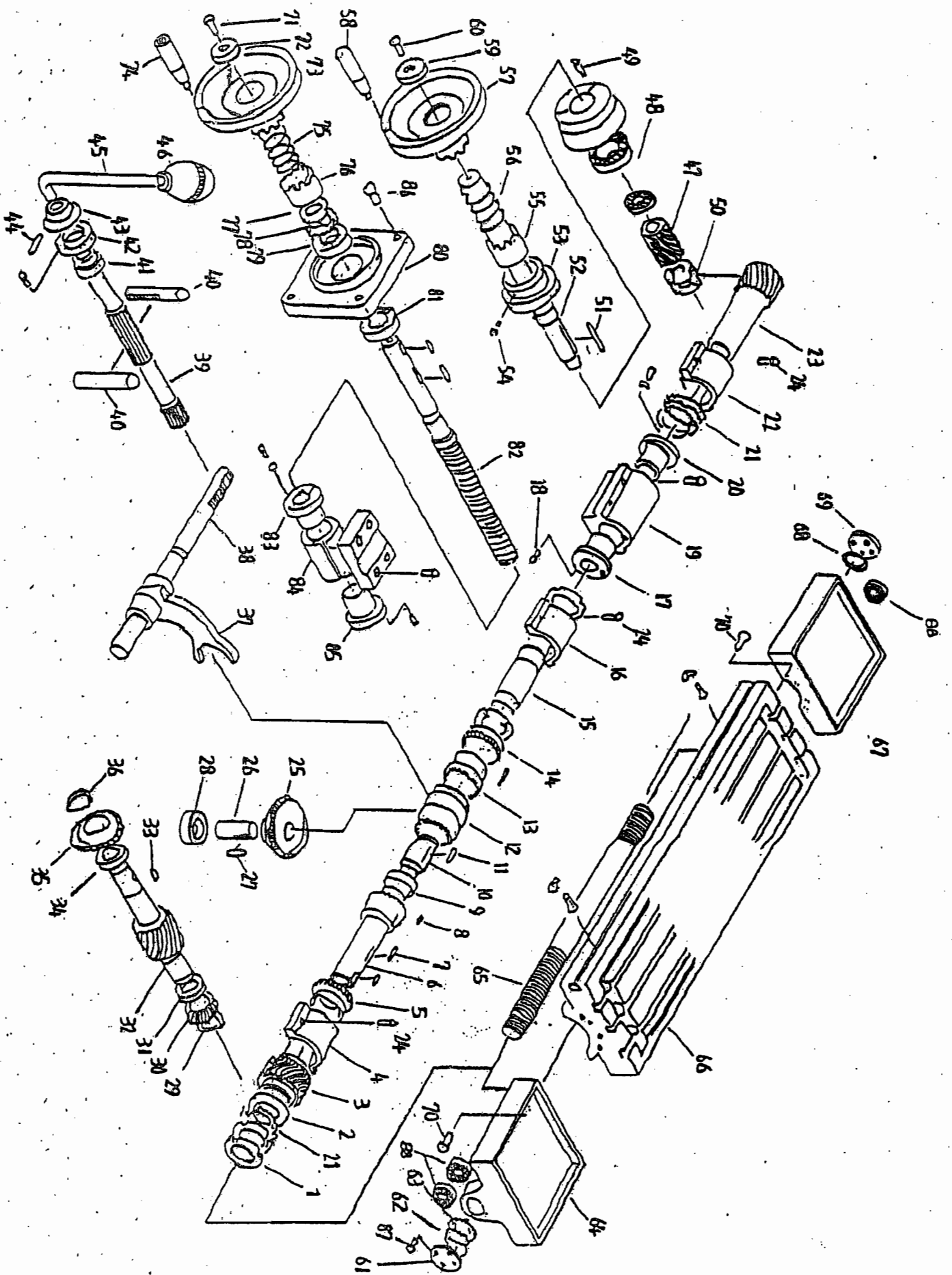
PARTS LIST - BASIC MACHINE

ITEM NO.	COMP NO.	DESCRIPTION	QTY
1	HD-004	RAM	1
2		MICROMETER	1
3		WORM SHAFT	1
4		BUSHING	1
5		SCREW	1
6		CAP SCREW	3
7	HD-001	QUILL HOUSING ADJUSTING GEAR	2
8		KEY	1
9		SCREW	1
10		GEAR RETAINER	4
11		CAP SCREW	1
12	HD-036	GIB	4
13	HD 013	TURRET	1
14		GIB LOCK SCREW	1
15		GIB LOCK SCREW NUT	2
16		BUSHING	2
17		RAM LOCK SCREW	2
18		ROM PINION GEAR	2
19		GEAR CAP	1
20		GEAR SHAFT	1
21		KEY	1
22		CAP SCREW	1
23	HC-024	COLUMN	3
24		SCREW	1
25		WASHER	2
26		NUT	4
27		PLATE	4
28		SCREW	1
29		ELECTRICAL BOX	2
30		CAP SCREW	1
31	HD-031	STRAINER	4
32		SCREW	2
33	HE-029	ELEVATING SCREW HOUSING	4
34		CAP SCREW	1
35	HE-028A	ELEVATING SCREW NUT	2
36		SCREW NIPPLE	1
37		CAP SCREW	1
38	HC-014	SADDLE LOCK BOLT	3
39		KEY	1
40	HE-026	BEARING RETAINER RING	1
41		CAP SCREW	1
42		BEARING	3
43	HE-024	BEVEL GEAR	1
44	HC-011	WASHER	1
45		NUT	1
46	HE-006	KNEE	1
47		STOP PIECE PLATE	1
48		STOP PIECE	1
49		STOP PIECE	1
50		CAP SCREW	1
51		GIB	2
52		GIB BRACKET	2
53		CAP SCREW	1
54		GIB SCREW	8
55	HC-021	BELT WIPERS	4

PARTS LIST - BASIC MACHINE

ITEM NO.	COMP NO.	DESCRIPTION	QTY
56		SADDLE KNEE WIPER PLATE	1
57		GIB BRACKET	1
58		CHIP GUARDS	1
59		CHIP GUARDS	1
60		CHIP GUARDS	1
61	HC-015	SADDLE LOCK PLUNGER	1
62		SADDLE LOCK BOLT	2
63		SCREW	2
64		MOTOR	2
65		WORM	1
66		BUSHING	1
67		CAP SCREW	1
68	HE-015	DEVEL. PINTON	1
69		SET SCREW	1
70		BEARING	1
71		WORM GEAR	1
72		SET SCREW	1
73		KEY	1
74		KEY	1
75	HE-017	ELEVATING SHAFT	1
76	HE-016	BEARING CAP	1
77		BEARING	1
78	HC-015	BEARING RETAINER RING	1
79		CAP SCREW	1
80	HE-018	DIAL HOLDER	3
81	HE-019	DIAL (100, 125) GRADUATION	1
82		SET SCREW	1
83	HE-020	GEAR SHAFT CLUTCH INSERT	1
84	HE-021	ELEVATING CRANK	1
85		WASHER	1
86		CAP SCREW	1
87	HC-053	HANDLE	1
88	HC-017	SADDLE	1
90		BELT WIPERS	4
91		SADDLE KNEE WIPER PLATE	2
92		GIB BRACKET	2
93		GIB	2
94		GIB SCREW	2
95		GIB SCREW	4
96		GIB SCREW	8
97		GIB SCREW	2
98	HC-014	TABLE LOCK BOLT	2
99	HA-125	TABLE LOCK BOLT HANDLE	2
100	HC-015	SADDLE LOCK PLUNGER	2
101		SADDLE LOCK PLUNGER HANDLE	2
102		CAP SCREW	2
103		COVER	4
104		CAP SCREW	1
105		TABLE STOP ASSEMBLY	4
106		OIL VALVE	1
107		VALVE ADAPTOR	1
108	HD-039	TAP BRACKET	1
109		HOSE ADAPTOR	1
110		CAP SCREW	1
111	AD-036	COOLANT PIPE	2

LEAD SCREW ASSEMBLY



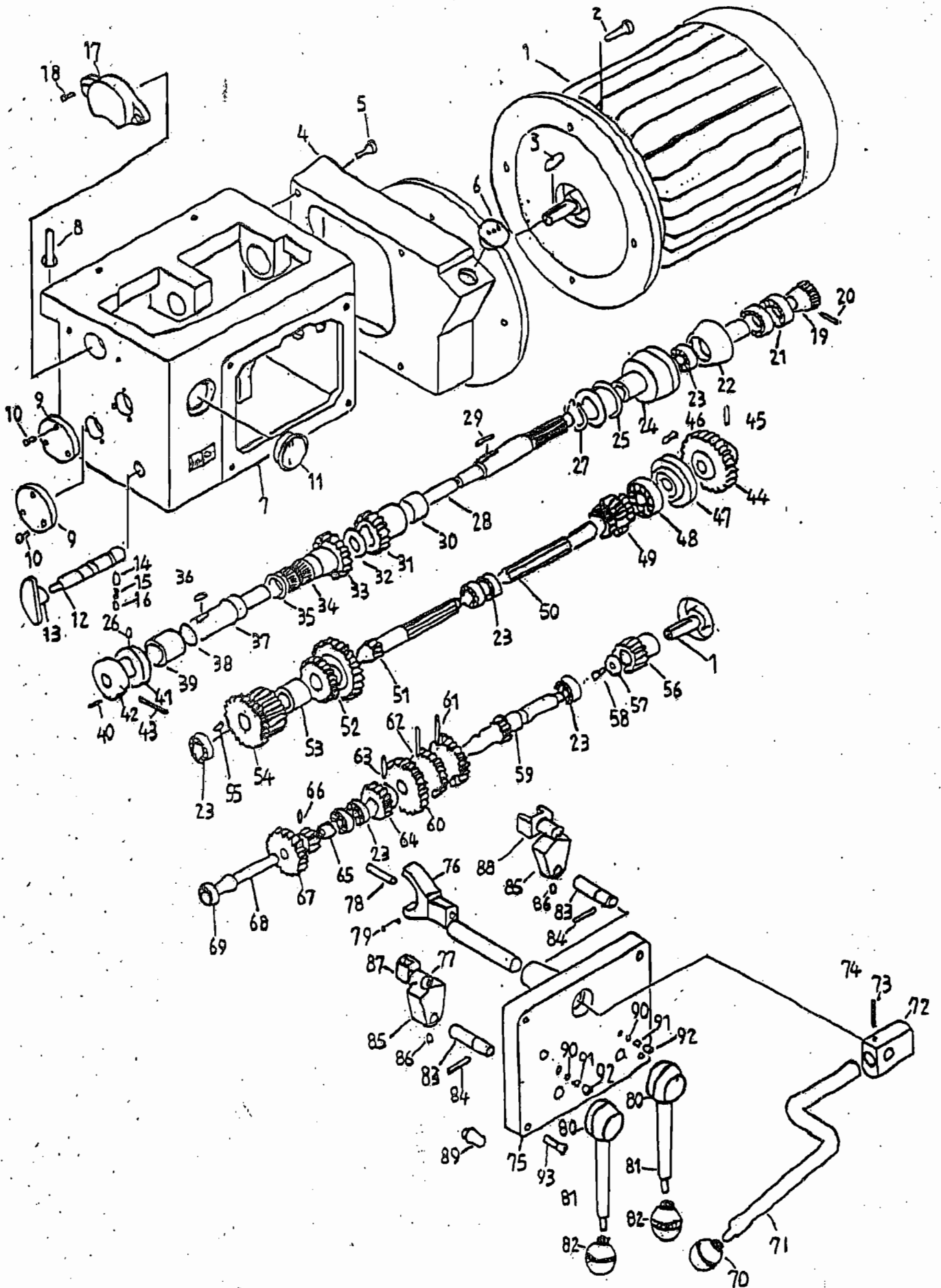
PARTS LIST - LEAD SCREW ASSEMBLY

ITEM NO.	COMP NO.	DESCRIPTION	QTY
1		BEARING LOCKNUT	5
2		BUSHING	1
3		GEAR	1
4		GEAR BRACKET	1
5		SORM GEAR	1
6		SPINDLE GEAR HUB	1
7		KEY	1
8		KEY	1
9		BUSHING	1
10		BUSHING	1
11		KEY	1
12		CLUTCH SPINDLE	1
13		SPINDLE GEAR HUB	1
14		WORM GEAR	1
15		SCREW BUSHING	1
16		GEAR BRACKET	1
17		BUSHING	1
18		CAP SCREW	3
19		GEAR BRACKET	1
20		BUHSING	1
21		LOCK WASHER	2
22		GEAR BRACKET	1
23		GEAR BUSHING	1
24		CAP SCREW	10
25		WORM GEAR	1
26		SHAFT	1
27		KEY	1
28		BEARING	1
29		SNAP RING	1
30		BALL BEARING	1
31		BEARING	1
32		GEAR SHAFT	1
33		KEY	1
34		BALL BEARING	1
35		GEAR	1
36		SNAP RING	1
37		CLUTCH SPINDLE CLAMP	1
38		SINE BAR SHAFT	1
39		GEAR SHAFT	1
40		GEAR BAR	2
41		BUSHING	1
42		DIAL	1
43		BUSHING	1
44		SPRING	1
45		HANDLE BAR	1
46		HANDLE	1
47		WORM GEAR	1
48		DIAL	1
49		CAP SCREW	3
50		BEARING LOCKNUT	2
51		KEY	1
52		SHAFT	1
53		DIAL	1
54		SCREW	1
55		BUSHING	1

PARTS LIST - LEAD SCREW ASSEMBLY

ITEM NO.	COMP NO.	DESCRIPTION	QTY
56		SPRING	1
57		HAND WHEEL	1
58		HANDLE	1
59		KNOB	1
60		CAP SCREW	1
61		SCREW COVER	1
62		LOCKNUT	1
63		LOCK WASHER	1
64		SCREW BRACKET	1
65		SCREW SHAFT	1
66		TABLE	1
67		SCREW BRACKET	1
68		SNAP RING	1
69		SCREW COVER	1
70		CAP SCREW	8
71		CAP SCREW	1
72		KNOB	1
73		HAND WHEEL	1
74		HANDLE	1
75		SPRING	1
76		BUHSING	1
77		LOCKNUT	1
78		LOCK WASHER	1
79		BALL BEARING	1
80		BEARING BRACKET	1
81		BALL BEARING	1
82		SCRW SHAFT	1
83		BUHSING	1
84		SCREW BARCKET	1
85		BUHSING	1
86		CAP SCREW	4
87		CAP SCREW	8
88		BEARING	3

GEAR BOX



PARTS LIST - GEAR BOX

ITEM NO.	COMP NO.	DESCRIPTION	QTY
1		MOTOR	1
2		CAP SCREW	4
3		KEY	1
4		GEAR HOUSE	1
5		CAP SCREW	4
6		OIL KNOB	1
7		GEAR BOX	1
8		CAP SCREW	2
9		GEAR COVER	2
10		CAP SCREW	6
11		OIL LEVER	1
12		SPEED CHANGE SHAFT	1
13		SPEED CHANGE KNOB	1
14		STEEL PLUNGER	1
15		SPRING	1
16		SET SCREW	1
17		ALUMINUM COVER	1
18		CAP SCREW	2
19		PINION	1
20		SPRING	1
21		RAIL BEARING	2
22		BEARING COVER	1
23		BEARING	7
24		BEARING COVER	1
25		CLUTCH RING	1
26		SET SCREW	1
27		SNAP RING	1
28		PINION SHAFT	1
29		KEY	1
30		PINION SPACER	1
31		PINION	1
32		WASHER	1
33		PINION	1
34		NEEDLE BEARING	2
35		SNAP RING	1
36		KEY	1
37		CLUTCH SHAFT	1
38		"O" RING	1
39		GEAR	1
40		TAPER SHEAR PIN	1
41		COLLAR	1
42		COLLAR	1
43		SPRING PIN	1
44		GEAR	1
45		PIN	1
46		CAP SCREW	3
47		PINION SHAFT SLEEVE	1
48		BEARING	1
49		CLUSTER PINION	1
50		PINION SHAFT	1
51		PINION	1
52		CLUSTER GEAR	1
53		GEAR SPACER	1
54		CLUSTER GEAR	1
55		PIN	1

PARTS LIST - GEAR BOX

ITEM NO.	COMP NO.	DESCRIPTION	QTY
56		PINION	1
57		WASHER	1
58		SCREW	1
59		PINION SHAFT	1
60		CLUSTER GEAR	1
61		SPRING PIN	1
62		SPRING PIN	1
63		SPRING PIN	1
64		PINION	1
65		GEAR SPACER	1
66		SPRING PIN	1
67		GEAR	1
68		SHAFT	1
69		BEARING	1
70		HANDLE	1
71		FAST MOVE OPERATION BAR	1
72		CRANK BOLCK	1
73		SPRING PIN	1
74		BEARING	1
75		GEAR BOX COVER	1
76		CLUTCH RING CLAMP	1
77		CLAMP SHAFT	1
78		PIN	1
79		SPRING PIN	1
80		HANDLE HUB	2
81		HANDLE BAR	2
82		HANDLE	2
83		SHAFT	2
84		SPRING PIN	2
85		SHAFT CRANK	2
86		SET SCREW	2
87		M-N CLAMP	1
88		C-A-P CLAMP	1
89		STOPPER	1
90		BALL	2
91		SPRING	2
92		SET SCREW	2
93		CAP SCREW	4