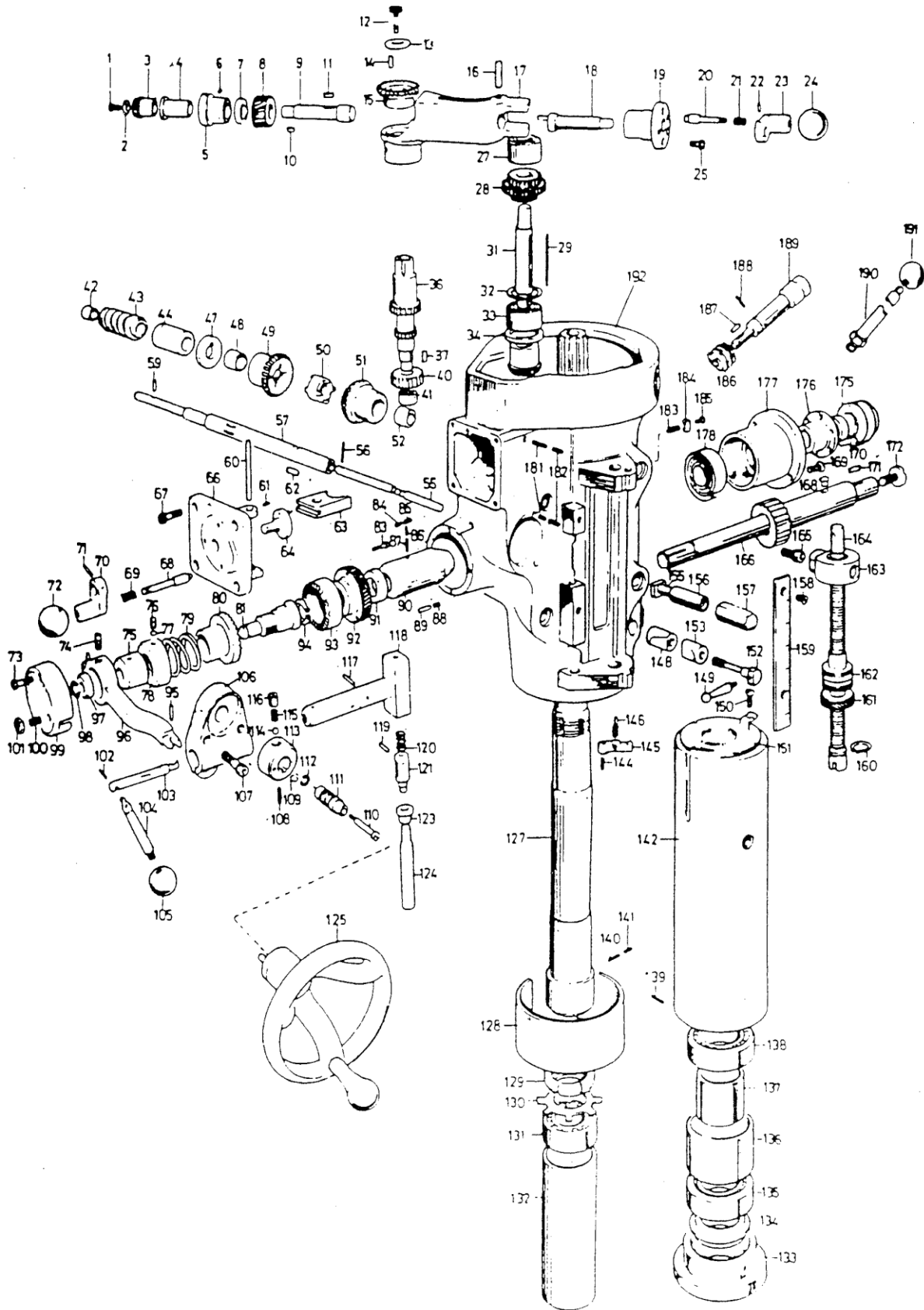


# 8. Mechanical Drawings & Parts Breakdown List

Note: When ordering parts, please be prepared with,

1. Machine model & serial number.
2. Item number.
3. Part number and description.
4. Year of Production.
5. Voltage & horsepower.
6. Quantity

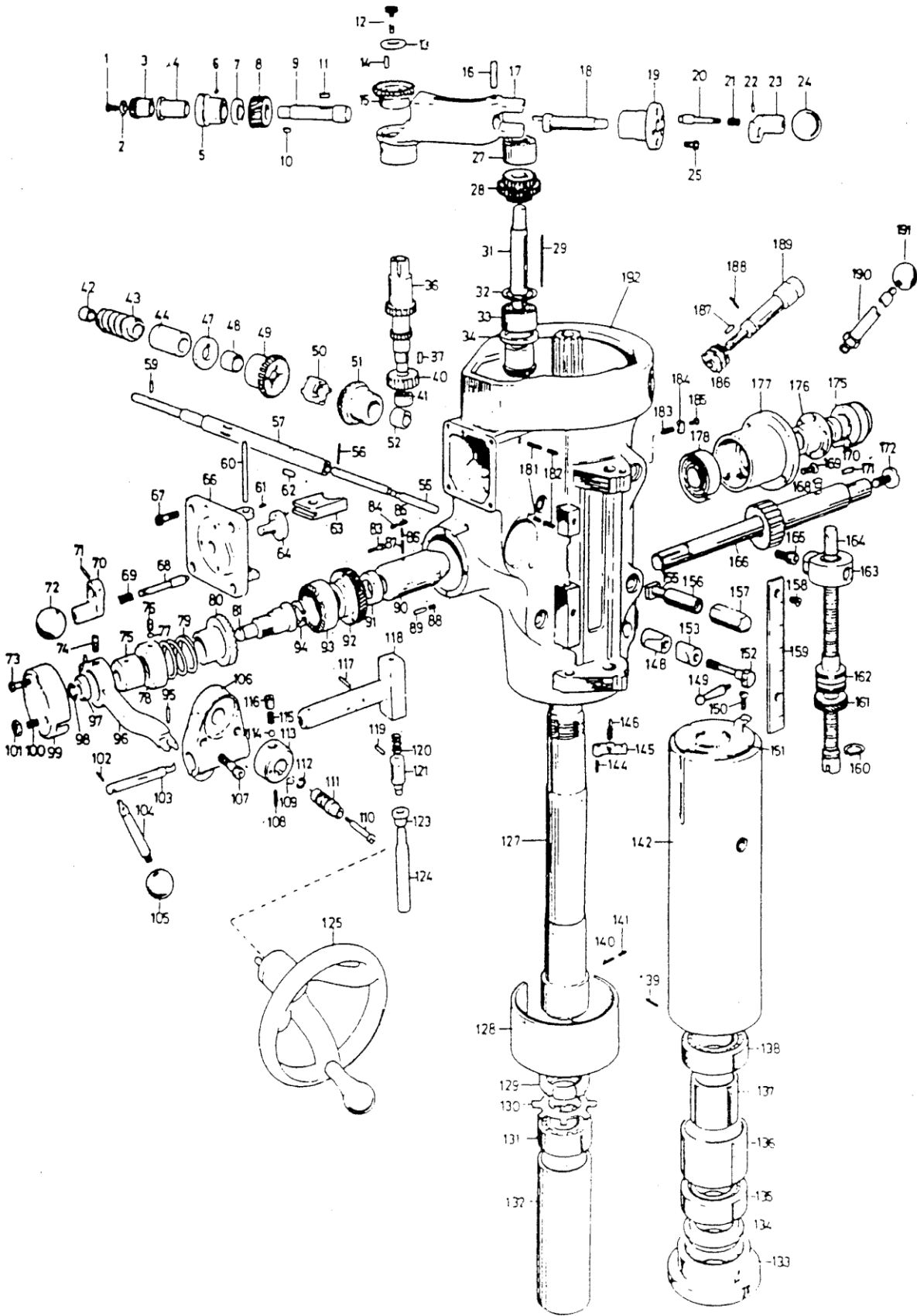
# 8-1 3HP (MILLING HEAD)



**3HP (MILLING HEAD)**

<b>ITEM NO.</b>	<b>PARTS NO.</b>	<b>FACTORY NO.</b>	<b>DESCRIPTION</b>	<b>QT'Y</b>
1	6141	B1+17	RD.HD Screw	1
2	6140		Bevel Pinion Washer	1
3	6139	B03	Feed Bevel Pinion	1
4	6183		Feed Worm Gear Shaft Sleeve	1
5	6137	B05	Worm Cradle Bushing	1
6	6123		Set Screw	1
7	6136		Worm Gear Spacer	4
8	6134	B08	Fed Drive Worm Gear	1
9	6133		Feed Drive Worm Gear Shaft	1
10	6142		Worm Shaft Key	1
11	6135		Key	1
12	6150		Lock Nut	1
13	6149		Washer	1
14	6147		Cluster Gear Key	1
15	6148	B15	Feed Reverse Bevel Gear	1
16	6122	B16	Feed Engage Pin	1
17	6121	B17	Worm Gear Cradle	1
18	6126	B18	Worm Gear Cradle Throw-out	1
19	6125	B19	Shift Sleeve	1
20	6169	B20	Gearshift Plunger	1
21	6170	B21	Compression Spring	1
22	6128		Roll Pin 3X20	1
23	6168	B23	Shift Crank	1
24	6131	B24	Black Plastic Ball	1
25	6132		Cap Screw 5X12	3
27	6157	B27	Cluster Gear Shaft Upper Bearing	1
28	6153	B28	Cluster Gear Assembly	1
29	6160		Cluster Gear Key 3X3X45	1
31	6151	B31+35	Cluster Gear Shaft	1
32	6158		Snap Ring 16	1
33	6156	B33	Bevel Gear Bearing	1
34	6159	B34	Bevel Gear Thrust Spacer	1
36	6143	B36+38	Feed Driving Gear	1
37	6145		Key	1
40	6144		Feed Drive Gear	1

# 3HP (MILLING HEAD)

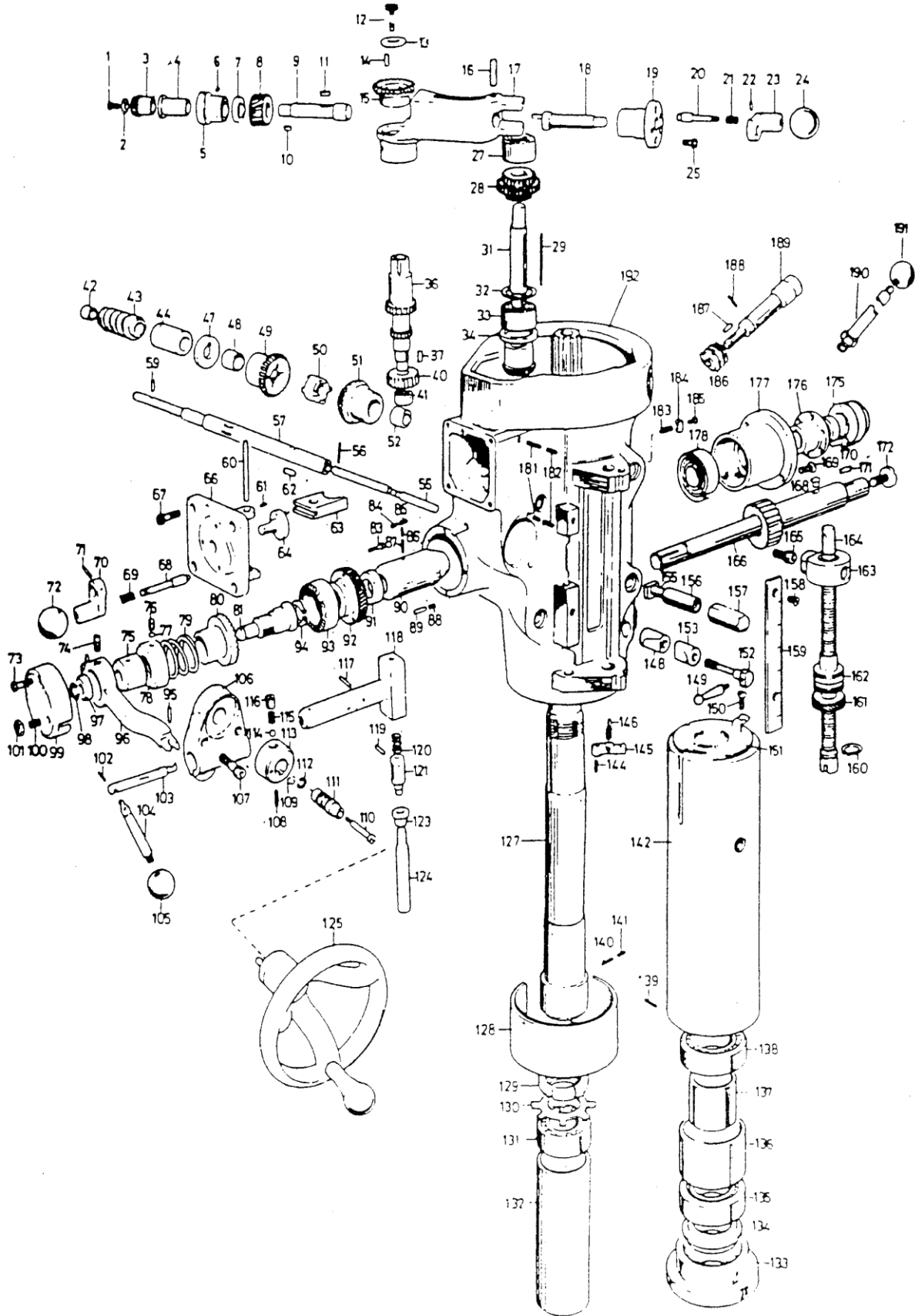




### 3HP (MILLING HEAD)

ITEM NO.	PARTS NO.	FACTORY NO.	DESCRIPTION	QT'Y
41	6252		Needle Bearing #BA66	1
42	6227	B42	Bushing	1
43	6225	B43	Worm	1
44	6224	B44	Feed Worm Shaft Bushing	1
47	6223	B47	Feed Worm Shaft Thrust Washer	1
48	6221	B48	Bushing	1
49	6220	B49	Feed Reverse Bevel Gear	1
50	6222	B50	Feed Reverse Clutch	1
51	6220		Feed Reverse Bevel Gear	1
52	6221		Bushing	1
55	6216	B55	Reverse Clutch Rod	1
56	6217		Roll Pin 3X20	1
57	6209	B57	Feed Worm Shaft	1
59	6226		Pin 3X10	1
60	6163	B60	Feed Shift Rod	1
61	6164		KP.Set Screw 5X5	1
62	6230		Key	1
63	6162	B63	Feed Gear Shift Fork	1
64	6166	B64	Cluster Gear Shift Crank	1
66	6161	B66	Cluster Gear Cover	1
67	6165		Cap Screw 5X12	4
68	6169		Gear Shift Plunger	1
69	6170		Comperession Spring	1
70	6168		Shift Crank	1
71	6167		Roll Pin	1
72	6171		Black Plastic Ball	1
73	6206		Cap Screw	2
74	6202	B74	Clutch Ring Pin	2
75	6200	B75	Clutch Ring	1
76	6199		Socket Set Screw	1
77	6199-1		Brass Plug	1
78	6198	B78	Overload Clutch Lock Nut	1
79	6197	B79	Safety Clutch Spring	1
80	6194	B80	Overload Clutch	1
81	6195	B81	Overload Clutch Sleeve	1

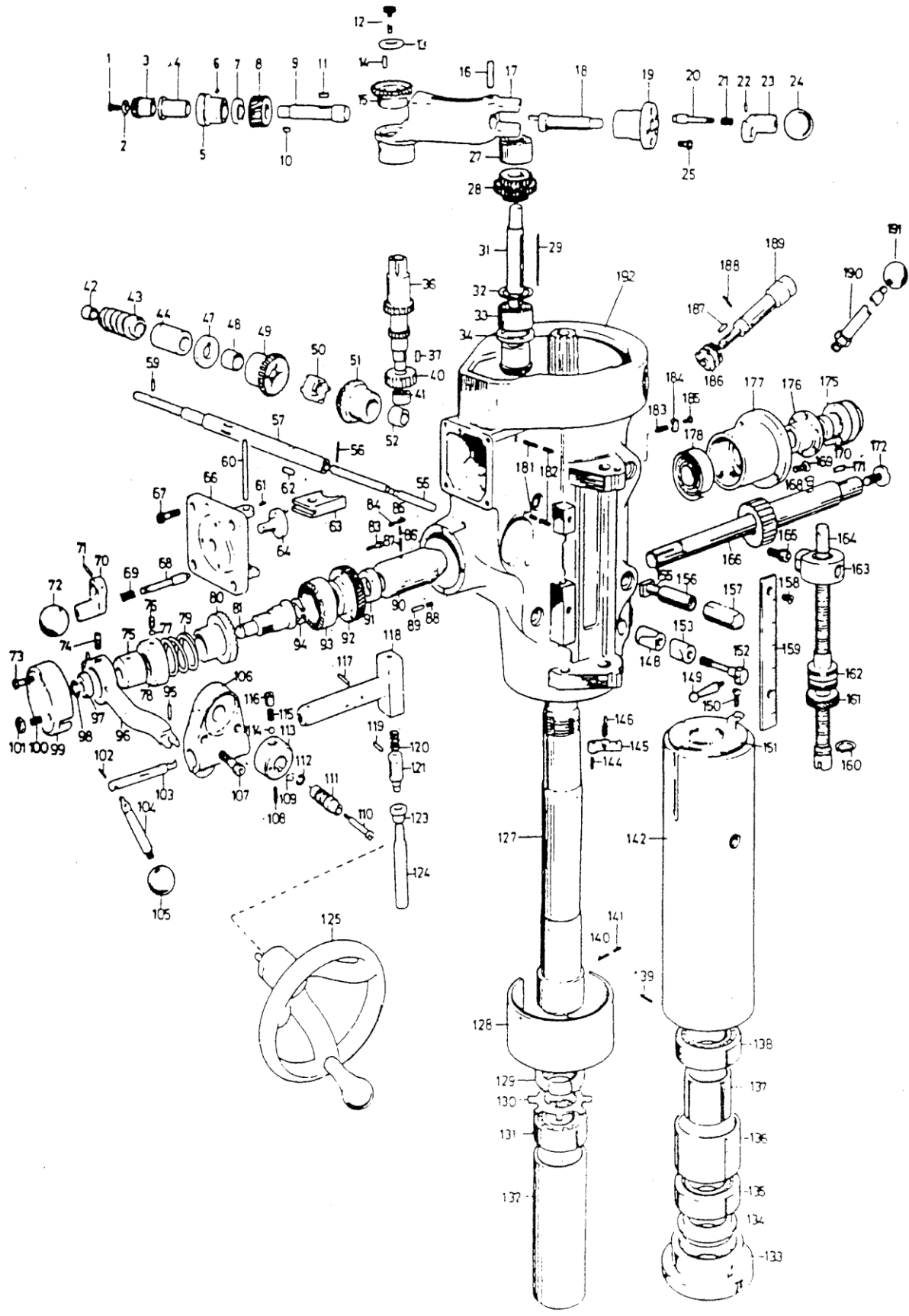
# 3HP (MILLING HEAD)



### 3HP (MILLING HEAD)

ITEM NO.	PARTS NO.	FACTORY NO.	DESCRIPTION	QT'Y
83	6189		Round Head Screw	3
84	6228		Mock-it Lock Scrw	1
85	6228		Socket Set Screw	1
86	6246		Lock Screw	1
87	6246-1		Socket Set Screw	1
88	6191	B88	Compression Spring	1
89	6193	B89	Overload Clutch Lever Spring Plunger	1
90	6186	B90	Quill Pinion Shaft Bushing	1
91	6190	B91	Pinion Shaft Worm Gear Spacer	1
92	6187	B92	Overload Clutch Worm Gear	1
93	6188	B93	Overload Clutch Ring	1
94	6188-1		Snap Ring 15	1
95	6236-1	B95	Dowrl Pin	1
96	6203	B96	Overload Clutch Trip Lever	1
97	6201	B97	Overload Clutch Washer	1
98	6195-1		Snap Ring 10	1
99	6205	B99	Clutch Arm Cover	1
100	6207		Socket Set Screw	1
101	6208		Chem Blacked Lock Nut	1
103	6239	B103	Cam Rod	1
104	6234	B104	Trip Handle	1
105	6233	B24	Black Plastic Ball	1
106	6231	B106	Feed Trip Braket	1
107	6232		Cap Screw 6X20	2
108	6219		Socket Set Screw 6X6	1
109	6229		Key	1
110	6214	B110+111	Feed Reversd Knob Stud	1
111	6213	B110+111	Reverse Knob	1
112	6215	B110+111	Snap Ring "C"	1
113	6218	B113	Handwheel Clutch	1
114	6255		Steel Ball 3/16	1
115	6219-2	B115	Compression Spring	1
116	6219-1		Handwheel Clutch Spring Screw 8X6	1
117	6237		Roll Pin	1

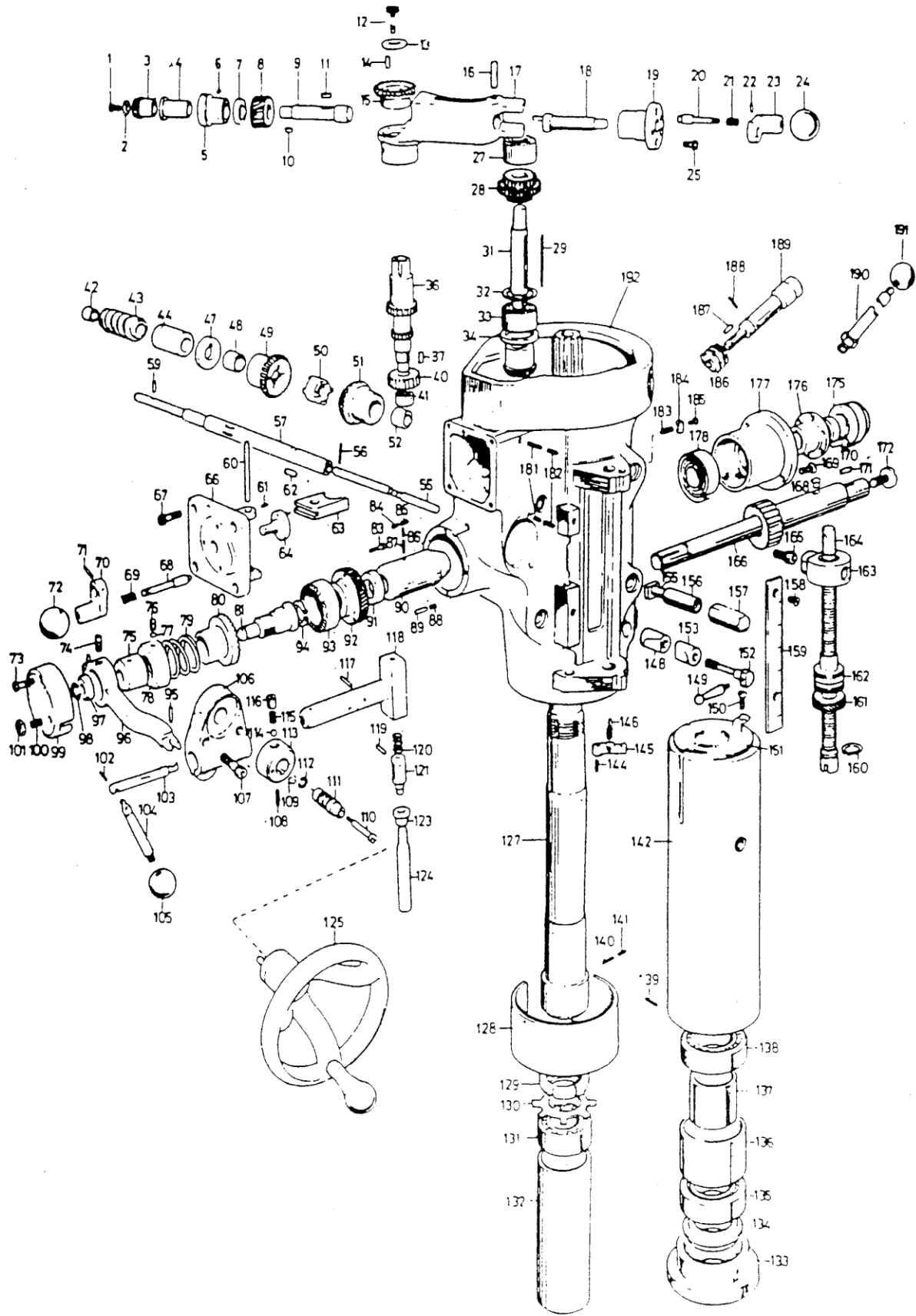
### 3HP (MILLING HEAD)



### 3HP (MILLING HEAD)

ITEM NO.	PARTS NO.	FACTORY NO.	DESCRIPTION	QT'Y
118	6236		Cam Rod Sleeve Assy	1
119	6241		Roll Pin	1
120	6242	B120	Compression Spring	1
121	6240	B121	Trip Plunger	1
123	6118-1		Trip Plunger Bushing	1
124	6118	B124	Feed Trip Plunger	1
125	6210	B125+126	Handwheel	1
127	6084	B127	Spindle	1
128	6086	B128	Quill Skirt	1
129	6090	B129	Lock Nut	1
130	6091		Lock Washer	1
131	6092		Bearing 6206	1
132	6094		Sleeve	1
133	6098	B133	Nose-Piece	1
134	6097	B134	Spindle Dirt Shield	1
135	6093		Bearing 7207	1
136	6095	B136	Bearing Spacer-Large	1
137	6096	B137	Bearing Spacer-Small	1
138	6093		Bearing 7207	1
140	6253	B140	Special Socket Set Screw	1
141	6254		Collet Alignment Screw 6X6	1
142	6085	B142	Quill	1
144	6113		Socket Set Screw 4X20	1
145	6111	B145	Feed Trip Lever	1
146	6112	B146	Trip Lever Pin	1
148	6116-1	B148	Quill Lock Sleeve	1
149	6119	B149	Lock Handle	1
151	6088	B151	Felt Washer	1
152	6117	B152	Quick Lock Bolt	1
152-1	6117-1	B152-1	Spring	1
153	6116	B153	Quill Lock Sleeve Tapped	1
155	5036	B155	T-Bolt Assy	1
156	6120	B156	Lower Clamping Bolt Spacer	2
157	5038	B157	Lock Nut	1
158	6244		Chem Blacked RD.HD.Screws 16	2

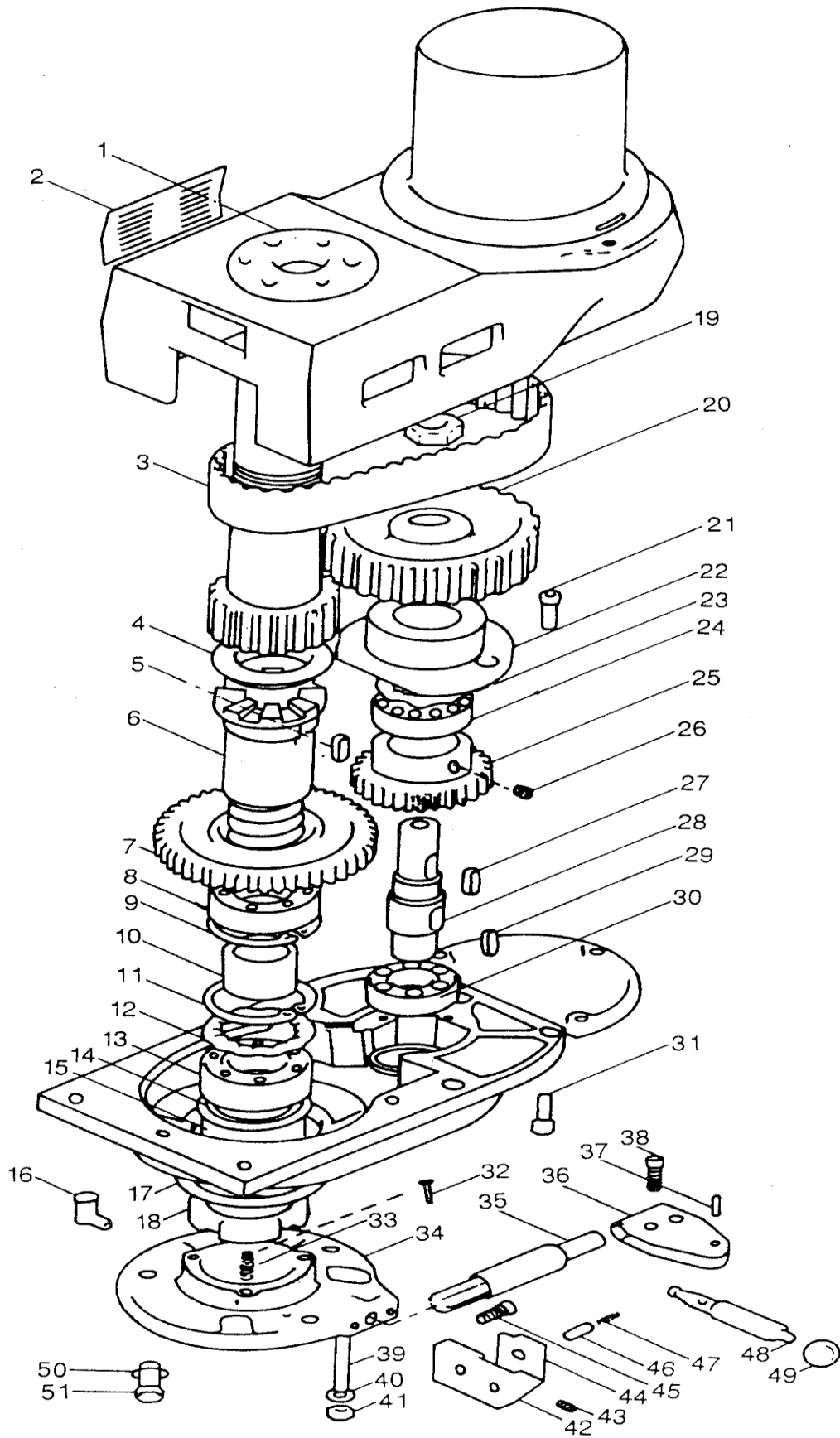
### 3HP (MILLING HEAD)



### 3HP (MILLING HEAD)

ITEM NO.	PARTS NO.	FACTORY NO.	DESCRIPTION	QT'Y
159	6243	B159	Micrometer Scale	1
160	6115		Snap Ring 16	1
161	6108	B161	Quill Micro-stop Nut	1
162	6107	B162	Micrometer Nut	1
163	6105	B163	Quill Stop Knob	1
164	6104	B164	Quill Stop Micro-Screw	1
165	6106		Screw 3/8	1
166	6172	B166	Quill Pinion Shaft	1
168	6185	B168	Spring Pin 5X12	1
169	6180-1		RD.Head Screw	1
170	6179		Roll Pin	1
171	6184		Key 3X3X20	1
172	6183	B172	Pinion Shaft Hub Screw	1
173	6176		Steel Ball	1
174	6175	B174	Compression Spring	1
175	6178	B175	Rack Feed Handle Hub	1
176	6182	B176	Pinion Shaft Hub Sleeve	1
177	6180	B177	Spring Cover	1
178	6181	B178	Clock Spring (Clock Spring Assy.)	1
181	6246-1		Socket Set Screw	1
182	6246		Lock Screw	1
183	6110	B183	Reverse Trip Ball Lever	1
184	6109	B184	Feed Reverse Trip Plunger	1
185	6114	B185	Reverse Trip Ball Lever Screw	1
186	5039	B186	Worm Gear	1
187	5041		Key 4X4X18	1
188	5042		Socket Set Screw	1
189	5040	B189	ADJ Worm Shaft	1
190	6174	B190	Pinion Shaft Hub Handle	1
191	6173	B191	Black Plastic Ball Handles 3/8	1
192	6101		Quill Housing	1
193	6101-1	B147	Adjust Shaft	1
194	6010-2	B154	Screw	1

## 8-2. 3HP Head Top Housing

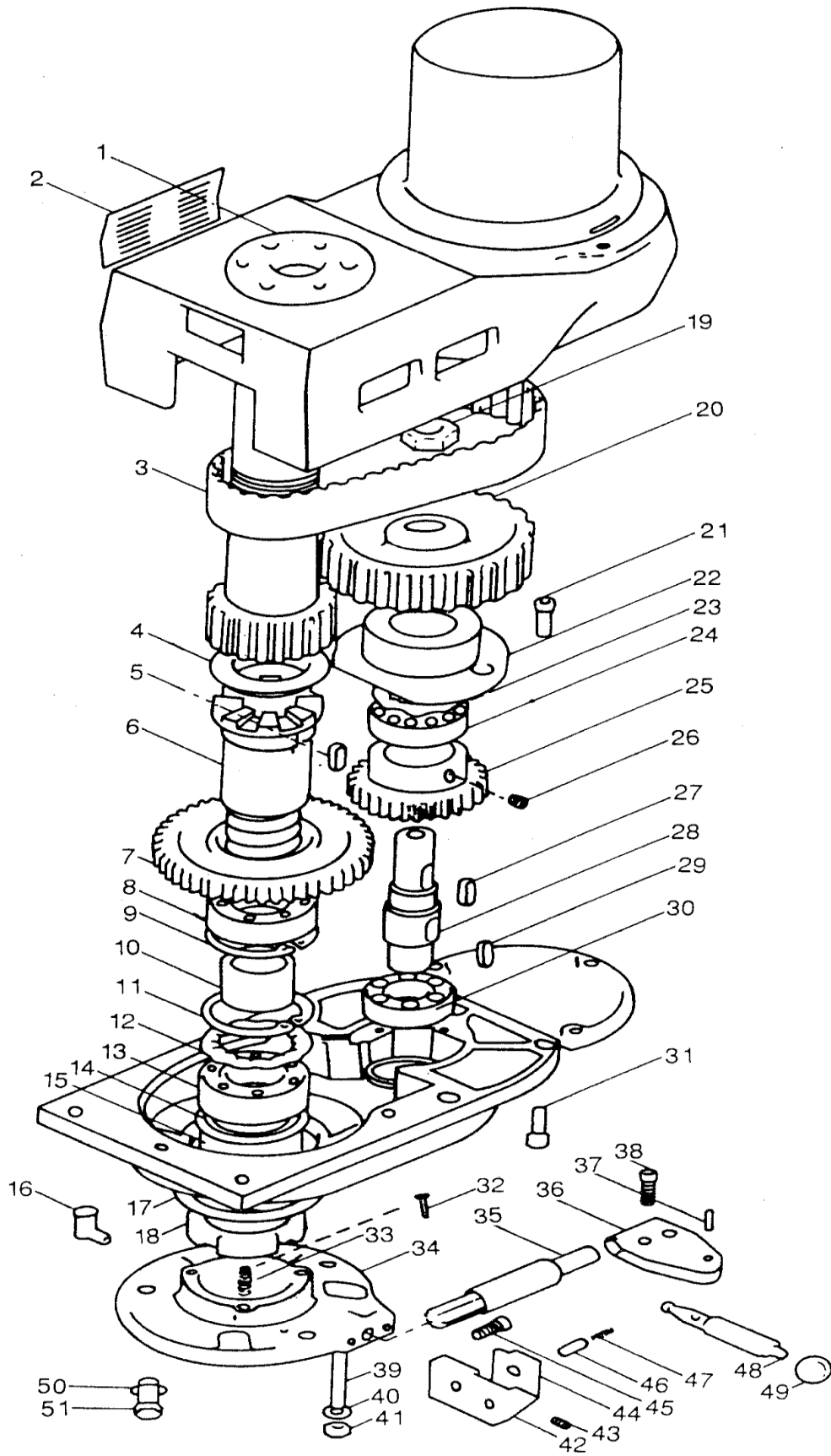




### 3HP Head Top Housing

ITEM NO.	PARTS NO.	FACTORY NO.	DESCRIPTION	Q'TY
1	7013	VS13	Top Bearing Cap	1
2	H7088	VS101	Ventilator	2
3	7036	VS63	Timing Belt	1
4	7038	VS100	Timing Pulley Clutch Sleeve	1
5	7081	VS72	Key--	1
6	7039	VS73	Splined Gear Hub	1
7	7040	VS74	Spindle Bull Gear	1
8	7041	VS77	Bearing-6908ZZ	1
9	7042	VS80	Snap Ring	1
10	7043	VS78	Bull Gear Bearing Spacer	1
11	7042	VS80	Snap Ring	1
12	7058	VS73-1	Wave Spring Washer	1
13	7041	VS77	Bearing-6908ZZ	1
14	7057-2	VS	Washer	1
15	7057	VS79	Bearing Sleeve Spacer	1
16	7054	VS82-1	Oil Cap	1
17	7048	VS75	Ball Bearing Gear Sleeve	1
18	7056	VS81	Bearing Lock Nut	1
19	7087	VS61	Jam Nut	1
20	7086	VS62	Timing Belt Pulley	1
21	7085	VS12	Socket HD Cap Screw	3
22	7084	VS64	Bull Gear Pinion Bearing Cap	1
23	7082	VS64-1	Wave Spring Washer	1
24	7079	VS65	Ball Bearing --6203ZZ	1
25	7083	VS66	Bull Gear Pinion	1
26	7077	VS03	Socket Set Screw--	1
27	7078	VS68	Key--	1
28	7080	VS67	Bull Gear Pinion Counter Shaft	1
29	7078	VS69	Key--	1
30	7079	VS65	Ball Bearing --6203ZZ	1
31	7073	VS51	Socket HD Cap Screw	6
32	7055-1	VS102	T-Tip Pin	3
33	7055	VS84	Compression Spring	3
34	7049	VS83	Fixed Clutch Bracket	1

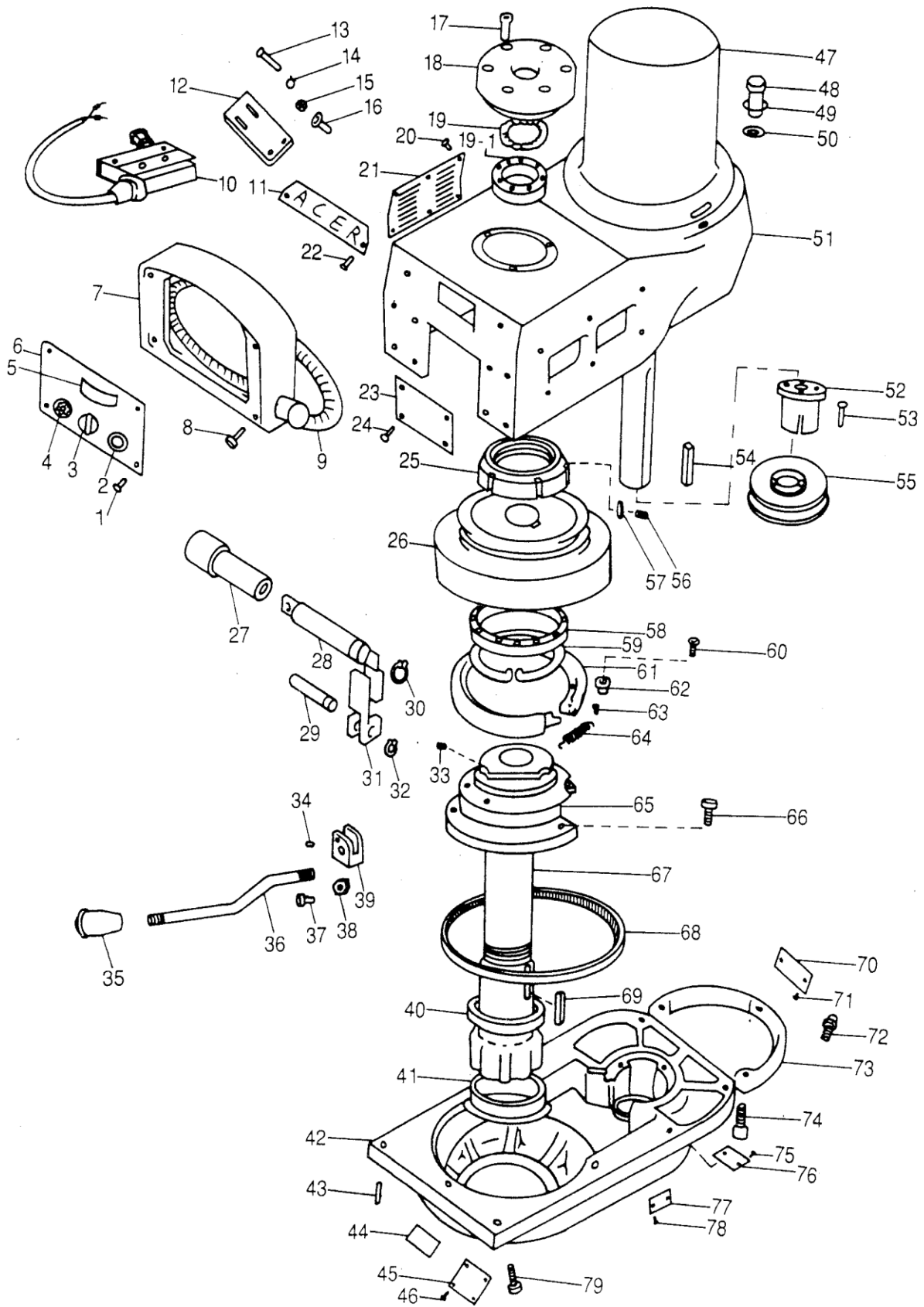
### 3HP Head Top Housing



### 3HP Head Top Housing

<b>ITEM NO.</b>	<b>PARTS NO.</b>	<b>FACTORY NO.</b>	<b>DESCRIPTION</b>	<b>Q'TY</b>
35	7059	VS87	Bull Gear Shift Pinion Shaft	1
36	7071	VS92	Hi-Low Pinion Block	1
37	7072	VS88	Spring Pin	1
38	7072-1	VS92-1	Socket HD Cap Screw	2
39	7063	VS85	Stud	3
40	7062	VS85-1	Spring Washer	3
41	7061	VS85-2	Hex Nut	3
42	7060	VS89	Hi-Low Detent Plate	1
43	7064	VS	Socket Set Screw--	1
44	7065	VS89-1	Adjustable Plate	1
45	7068	VS12	Socket HD Cap Screw	2
46	7066	VS90	Hi-Low Detent Plunger	1
47	7067	VS91	Spring	1
48	7070	VS94	Hi-Low Shift Crank	1
49	7069	B24	Bakelite Ball	1
50	7045	VS86	Hex Cap Screw	3
51	7046	VS86-1	Spring Washer	3

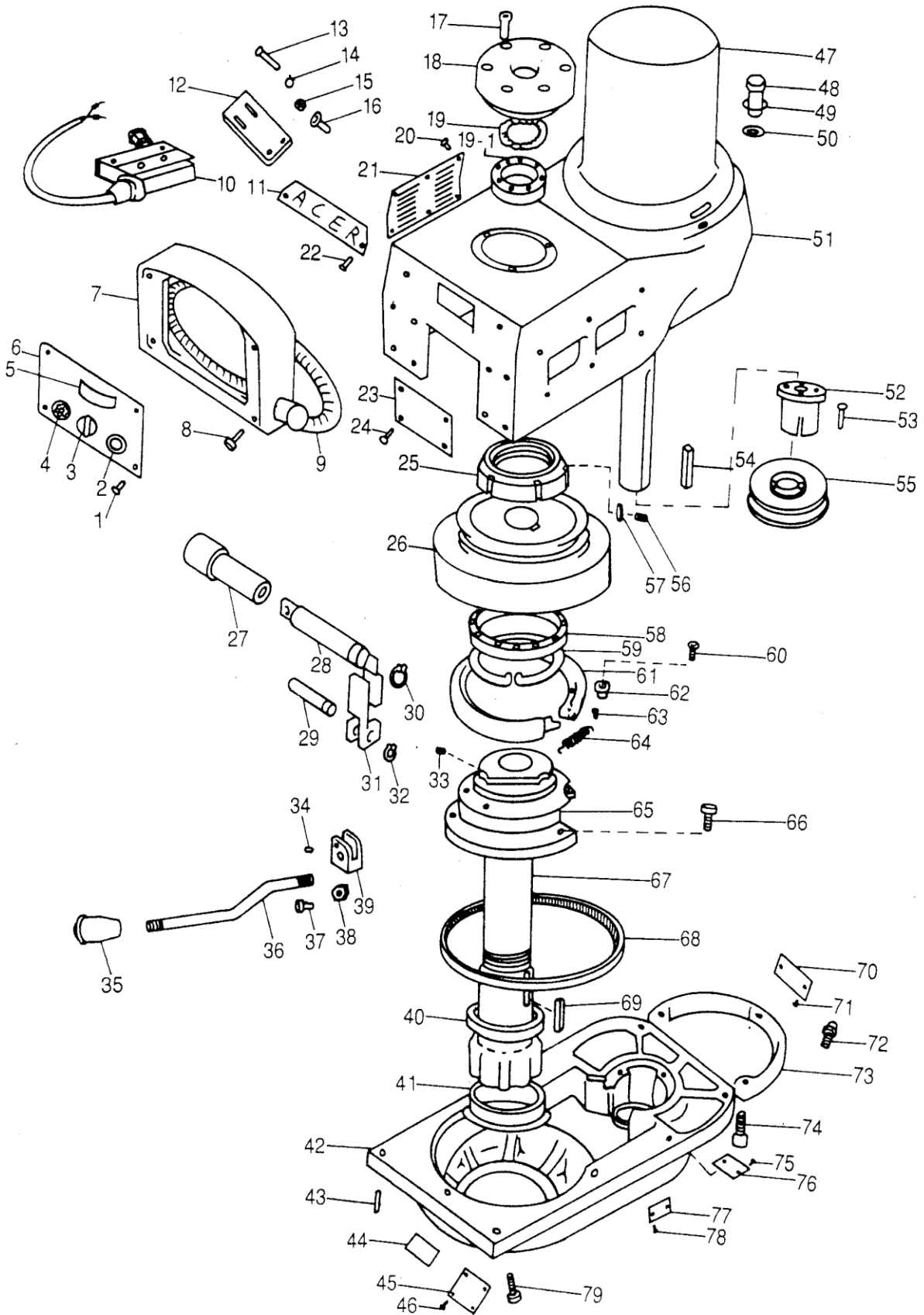
### 8-3. 3HP Head Back Gear



### 3HP Head Back Gear

ITEM NO.	PARTS NO.	FACTORY NO.	DESCRIPTION	Q'TY
1	7022-1	VS17-1	Round + Cap Screw	4
2	9500	VS	Emergency Switch	1
3	9501	VS	F/R Switch	1
4	9502	VS	Variable Resistor	1
5	9503	VS	RPM Meter-10V	1
	9503-1		RPM Meter-7.5V	1
	9503-2		RPM Digital Counter	1
6	H7023-1	VS16-5	Chromed Face Plate	1
	H7023-2		Chromed Face Plate UL	1
7	H7005-1	VS16-6	Speed Chanter Housing	1
8	H7025	VS17	Socket HD Cap Screw	4
9	9504	VS	Control Wire Cable	1
10	9505	VS	Limit Switch w/Cable	1
11	H8010-1	VS1-4	ACER Name Plate	1
12	H8010-2	VS1-5	Limit Switch Bracket Plate	1
13	7022-2	VS	Round Socket Cap Screw	2
14	7022-3	VS	Spring Washer	2
15	7022-4	VS	Hex Nut	2
16	7022-5	VS	Socket HD Cap Screw	2
17	8001	VS14	Socket HD Cap Screw	3
18	7013	VS13	Top Bearing Cap	1
19	8003	VS13-1	Wave Spring Wahser	1
19-1	8004	VS15	Ball Bearing --6007ZZ	1
20	H7088-1	VS101-1	Round Cap Wooden Screw	12
21	H7088	VS101-1	Ventilator	2
22	H8010-3	VS1-6	Round Socket Cap Screw	2
23	H8010-4	VS1-7	Covering Plate	1
24	H8010-5	VS1-8	Round HD Screw	4
25	8034-1	VS70-2	Spindle Pulley Hub Lock-Nut	1
26	8028-1	VS45-1	Stationary Driven Pulley	1
27	H8073	VS52	Sleeve for Brake Lock Shaft	1
28	H8074	VS53	Brake Lock Shaft	1
29	8068	VS58	Brake Finger Pivot Stud	1
30	8068-1	VS60-1	Snap Ring	1

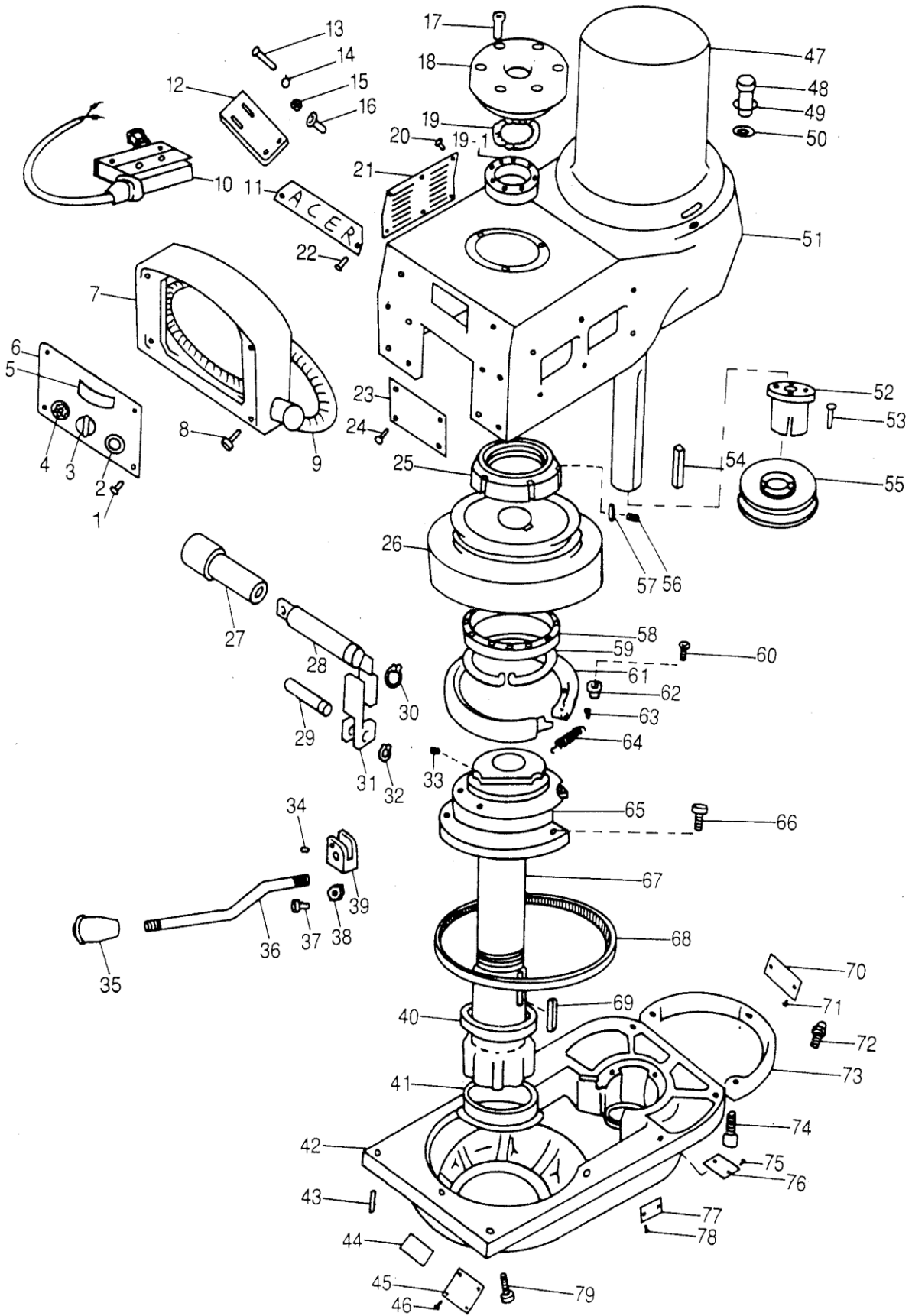
### 3HP Head Back Gear



### 3HP Head Back Gear

ITEM NO.	PARTS NO.	FACTORY NO.	DESCRIPTION	Q'TY
31	8067	VS59	Brake Operating Finger	2
32	8066	VS60	Snap Ring	1
33	H8077	VS99	Socket Set Screw	2
34	8072	VS54-1	Socket Set Screw	1
35	8069	VS57	Bakelite Ball Handle	1
36	8070	VS56	Brake Lock Handle	1
37	8071-1	VS55-1	Socket HD Cap Screw	1
38	8070-1	VS56-1	Hex Nut	1
39	8070-2	VS54	Brake Handle Block	1
40	8033	VS98	Spindle Pulley Spacer	1
41	7038	VS100	Timing Pulley Clutch Sleeve	1
42	H8063	VS82	Gear Housing	1
43	8060	VS82-1	Taper Pin	1
44	H8063-1	VS82-3	Oil Add Name Plate	1
45	8061	VS82-1	Quill Feed Name Plate	1
46	8059	VS	Drive Screw	4
47	8008-1	VS	3HP Spindle Motor	1
48	8009	VS	Socket HD Cap Screw	2
49	8009-1	VS	Spring Washer	2
50	8009-2	VS	Washer	1
51	H8010	VS01	Belt Housing	1
52	8040-2	VS02-2	V-Belt Pulley Sleeve	1
53	8040-3	VS02-3	Hex HD Scrw	2
54	8039	VS06	Key	1
55	8040-1	VS02-1	V-Belt Pulley	1
56	8034-2	VS70-3	Socket Set Screw	2
57	8034-3	VS70-4	Round Copper Tip	2
58	8023	VS43	Ball Bearing-6010ZZ	1
59	H8053-1	VS50-1	Snap Ring	1
60	8035	VS14	Round Socket Cap Screw	1
61	8032	VS47	Brake Shoe Assembly	1
62	8036	VS48	Brake Shoe Pivot Sleeve	1
63	8032-1	VS47-1	Round Cap Screw	4
64	8031	VS49	Brake Spring	2

### 3HP Head Back Gear





### 3HP Head Back Gear

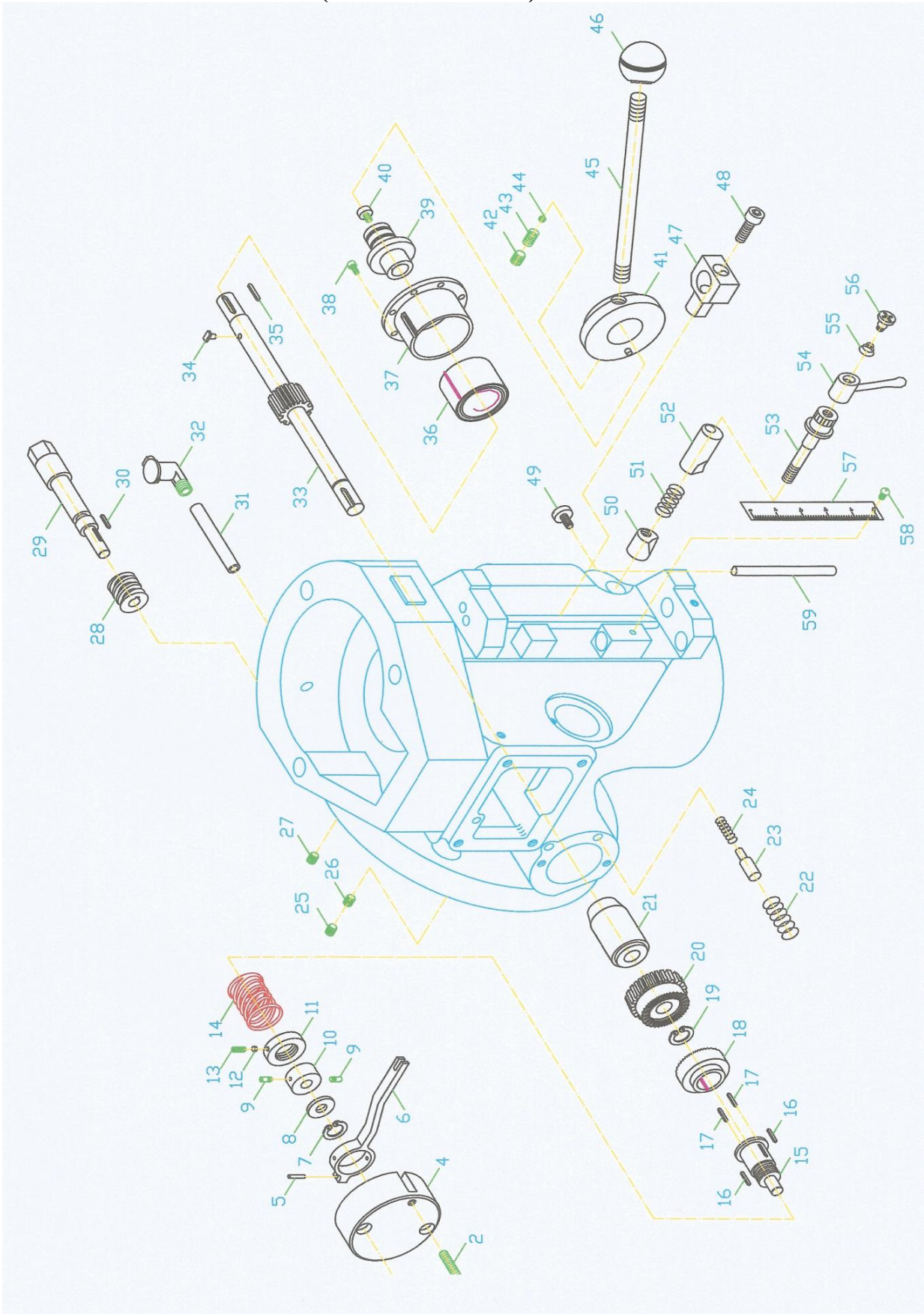
<b>ITEM NO.</b>	<b>PARTS NO.</b>	<b>FACTORY NO.</b>	<b>DESCRIPTION</b>	<b>Q'TY</b>
65	H8053-2	VS50-2	Belt Housing Base	1
66	H8064	VS51	Socket HD Cap Screw	3
67	8034-5	VS70-1	Spindle Pulley Hub	1
68	8027-1	VS04-1	V Belt	1
69	8049-1	VS71-1	Key	1
70	8063-2	VS07-1	Grease Add Name Plate	1
71	8059	VS	Drive Screw	2
72	8063-3	VS82-4	Grease Nibble	1
73	8054	Vs11	Motor Pulley Cover	1
74	8055	VS12	Socket HD Cap Screw	3
75	8063-2	VS01-1	Grease Add Name Plate	1
76	8059	VS	Drive Screw	2
77	8058	VS82-2	Hi-Low Range Name Plate	1
78	8059	VS	Drive Screw	2



## 5HP (MILLING HEAD) HAND FEED ASS'Y

ITEM NO.	PARTS NO.	FACTORY NO.	DESCRIPTION	Q'TY
1	5K-6208	M6	Hex Nut	1
2	5K-6207	M6x16	Socket Set Screw	1
3	5K-6206	M5x35	Socket HD Cap Screw	2
4	5K-6205	B99	Clutch Arm Cover	1
5	5K-6204	5x20	Roll Pin	1
6	5K-6203	FB96	Overload Clutch Trip Lever	1
7	5K-6195-1	C10	Snap Ring	1
8	5K-6201	B97	Overload Clutch Washer	1
9	5K-6202	B74	Clutch Ring Pin	2
10	5K-6200	B75	Clutch Ring	1
11	5K-6198	B78	Overload Clutch Lock nut	1
12	5K-6199-1		Brass Plug	1
13	5K-6199	M6x6	Socket Set Screw	1
14	5K-6197	FB79	Safety Clutch Spring	1
15	5K-6195	FB81	Overload Clutch Sleeve	1
16	5K-6196	5x20	Key	2
17	5K-6196	5x25	Key	2
18	5K-6194	FB80	Overload Clutch	1
19	5K-6188-1	C16	Snap Ring	1
20	5K-6187+88	FB92+93	Overload Clutch Worm Gear and Ring	1
21	5K-6186	FB90+91	Quill Pinion Shaft Bushing	1
22	5K-6192	B88-1	Compression Spring	1
23	5K-6193	B89	Overload Clutch Lever Spring Plunger	1
24	5K-6191	FB88	Compression Spring	1
25	5K-6246-1	M6x6	Socket Set Screw	1
26	5K-6246	M6x16	Lock Screw	1
27	5K-5042		Set Screw Plunger	1
28	5K-5039	B186	Worm Gear	1
29	5K-5040	FB189	ADJ Worm Shaft	1
30	5K-5041	4x20	Key	1
31	5K-6133-1		Bronze Tubing	1
32	5K-6133		Oil Cup	1
33	5K-6172	FB166	Quill Pinion Shaft	1
34	5K-6172-1	B168	Cap Tip- T shape	1
35	5K-6184	3x20	Key	1
36	5K-6181	FB178	Clock Spring	1

# 5HP (MILLING HEAD) HAND FEED ASS'Y

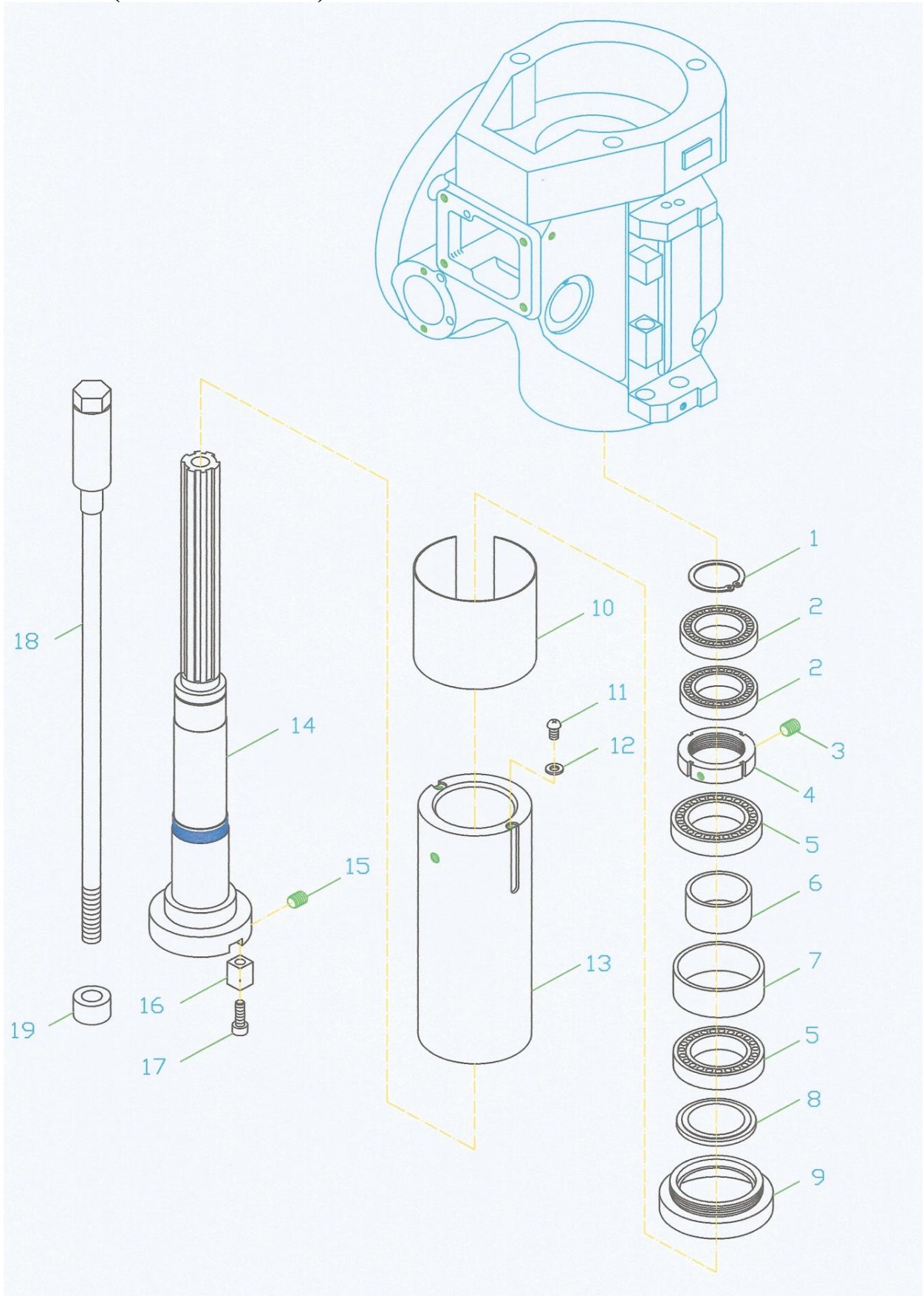


## 5HP (MILLING HEAD) HAND FEED ASS'Y

ITEM NO.	PARTS NO.	FACTORY NO.	DESCRIPTION	Q'TY
37	5K-6180	FB177	Spring Cover	1
38	5K-6180-1	M5x12	Socket HD Cap Screw	2
39	5K-6182	B176	Pinion Shaft Hub Sleeve	1
40	5K-6183	B172	Pinion Shaft Hub Screw	1
41	5K-6178	B175	Rack Feed Handle Hub	1
42	5K-6177	M8x6	Socket Set Screw	1
43	5K-6175		Compression Spring	1
44	5K-6176		Steel Ball	1
45	5K-6174	B190	Pinion Shaft Hub Handle	1
46	5K-6173	B191	Black Plastic Ball	1
47	5K-6105	FB164	Quill Stop Knob	1
48	5K-6106	3/8x5/8x24T	Socket HD Cap Screw	1
49	5K-6253	B154	Cap Screw	1
50	5K-6116B	B148	Quill Lock Sleeve Tapped	1
51	5K-6116-1	B152-1	Compression Spring	1
52	5K-6116A	FB153	Quill Lock Sleeve	1
53	5K-6117	FB152	Quill Lock Bolt	1
54	5K-6119	FB149	Lock Handle	1
55	5K-6117-1		Spring	1
56	5K-6117-2		Spring Screw	1
57	5K-6243	B159	Micrometer Scale	1
58	5K-6244	M4x8	Round HD Cap Screw	2
59	5K-6251	B147	Set Bar	1



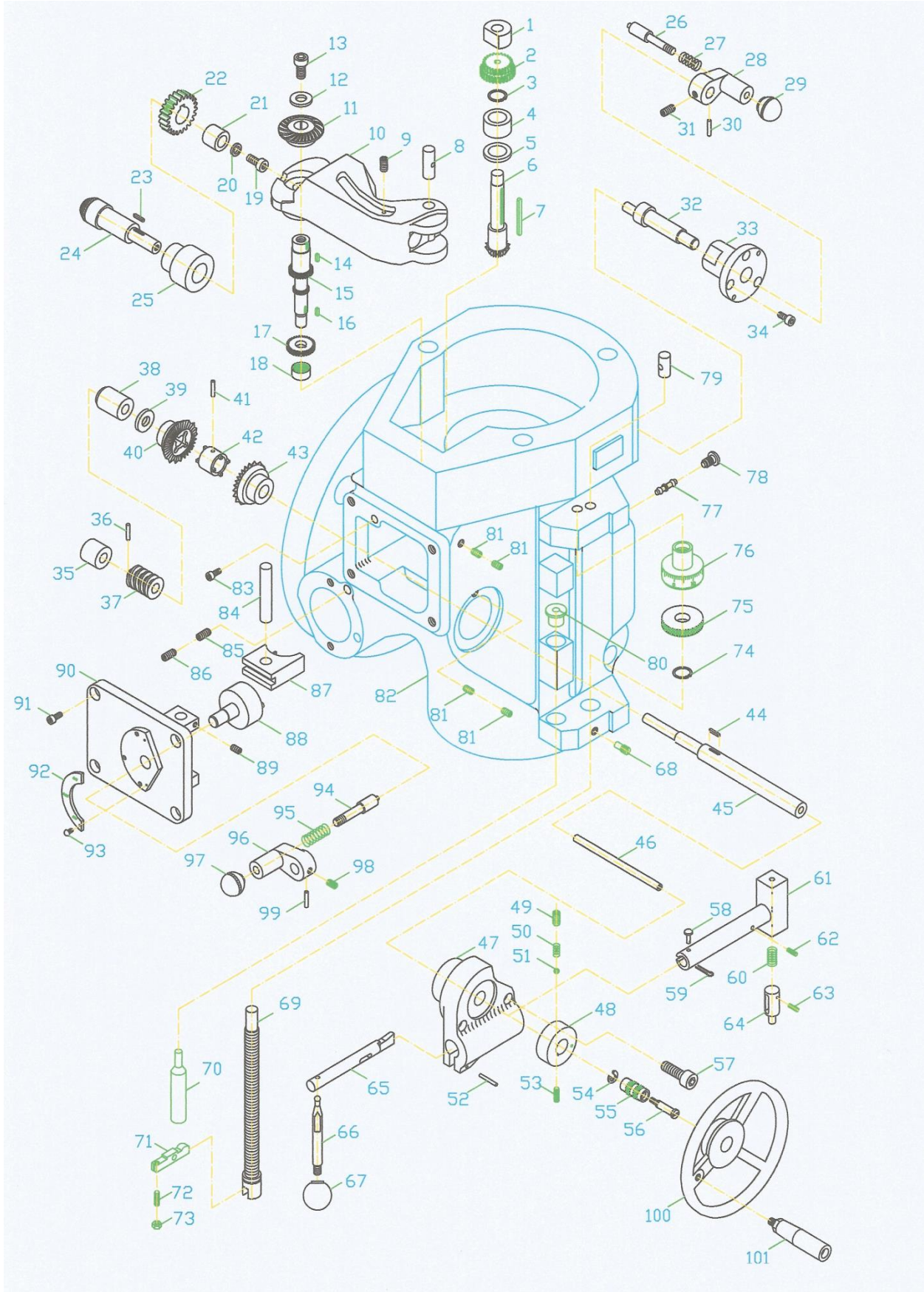
### 8-5. 5HP (MILLING HEAD) SPINDLE ASS'Y



## 5HP (MILLING HEAD) SPINDLE ASS'Y

ITEM NO.	PARTS NO.	FACTORY NO.	DESCRIPTION	Q'TY
1	5K-6090	C40	Snap Ring	1
2	5K-6092		Ball Bearing- 6008LLB	2
3	5K-6094-1	M8x6	Socket Set Screw	2
4	5K-6094	FB129	Lock Nut	1
5	5K-6093		Ball Bearing- 7010	2
6	5K-6096	FB137	Bearing Spacer- Small	1
7	5K-6095	FB136	Bearing Spacer- Large	1
8	5K-6097	FB134	Spindle Dirt Shield	1
9	5K-6098	FB133	Nose Piece	1
10	5K-6086	FB128	Quill Skirt	1
11	5K-6088-1	M5x8	Felt Washer Screw	2
12	5K-6088-2	M5	Washer	2
13	5K-6085	FB142	Quill	1
14	5K-6084	FB127	Spindle #40	1
15	5K-6085-1	M5x8	Socket Set Screw	1
16	5K-6099	FB127-1	Keeper Key	2
17	5K-6100	M8x25	Socket HD Cap Screw	2
18	5K-8014		Drawbar	1
19	5K-8020		Drawbar Washer	1

# 8-6. 5HP (MILLING HEAD) AUTO FEED ASS'Y

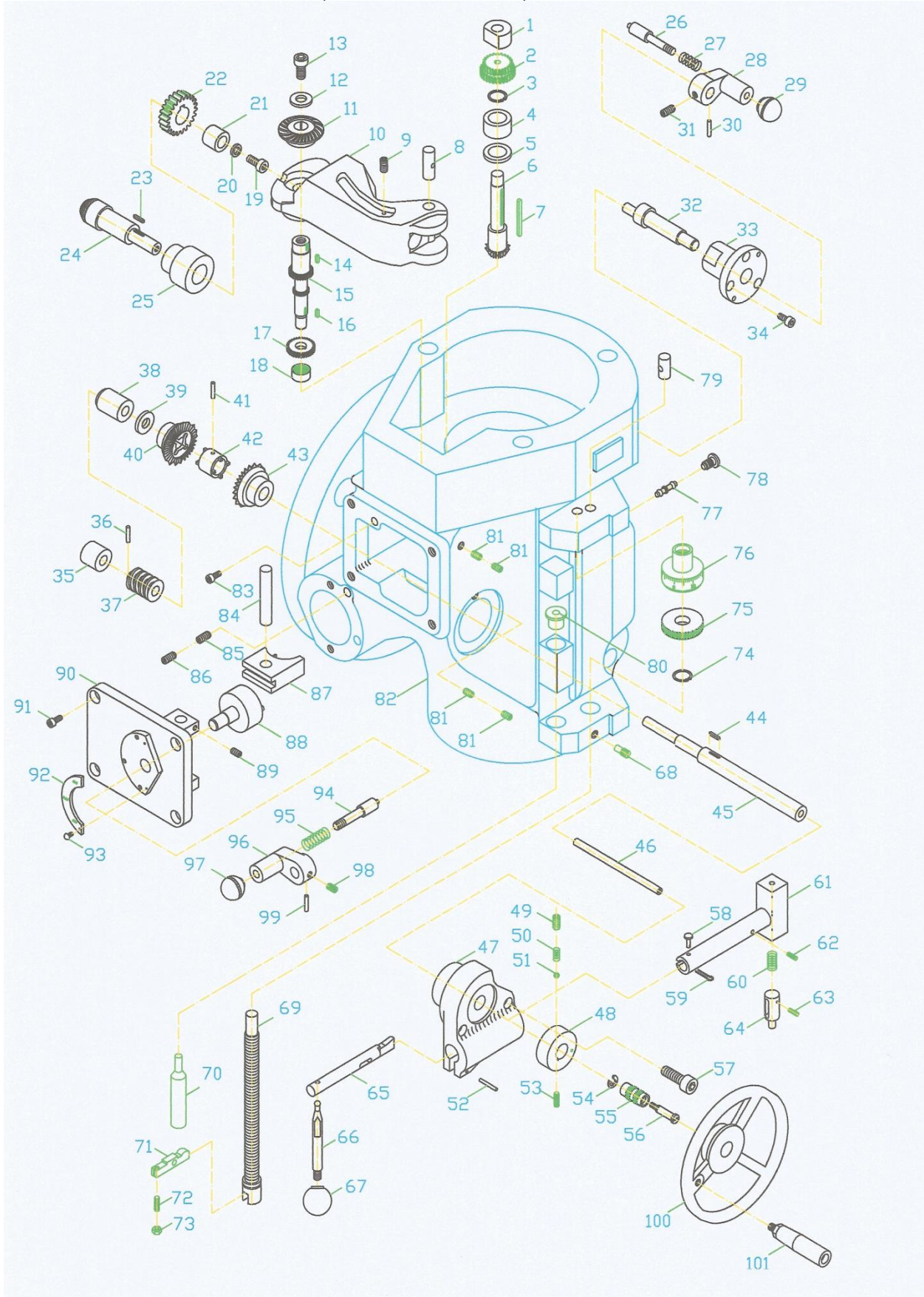




**5HP (MILLING HEAD) AUTO FEED ASS'Y**

<b>ITEM NO.</b>	<b>PARTS NO.</b>	<b>FACTORY NO.</b>	<b>DESCRIPTION</b>	<b>Q'TY</b>
1	5K-6157	B27	Cluster Gear Shaft Upper Bearing	1
2	5K-6153	FB28	Cluster Gear Assembly	1
3	5K-6158	C16	Snap Ring	1
4	5K-6156	FB33	Bevel Gear Bearing	1
5	5K-6159	FB34	Bevel Gear Thrust Spacer	1
6	5K-6151	FB31+35	Cluster Gear Shaft	1
7	5K-6160	M3x35	Cluster Gear Key	1
8	5K-6122	B16	Feed Engage Pin	1
9	5K-6123	M6x6	Socket Set Screw	1
10	5K-6121	FB17	Worm Gear Cradle	1
11	5K-6148	FB15	Feed Reverse Bevel Gear	1
12	5K-6149	FB13, 3/8"	Washer	1
13	5K-6150	3/8x1/4	Socket HD Cap Screw	1
14	5K-6147	3x8	Key	1
15	5K-6143	FB36	Feed Driving Gear Shaft	1
16	5K-6145	3x10	Key	1
17	5K-6144	FB40	Feed Drive Gear	1
18	5K-6252	BA66	Needle Bearing	1
19	5K-6124	M6x12	Socket HD Cap Screw	1
20	5K-6140	M6	Washer	1
21	5K-6136-1		Worm Gear Bushing	1
22	5K-6134		Feed Drive Worm Gear	1
23	5K-6135	3x12	Key	1
24	5K-6139		Feed Bevel Pinion	1
25	5K-6136+37		Worm Gear Cradle Bushing	1
26	5K-6169	B20	Gear Shift Plunger	1
27	5K-6170	B21	Compression Spring	1
28	5K-6168	B23	Shift Crank	1
29	5K-6131	B24	Black Plastic Ball	1
30	5K-6128	3x20	Spring Pin	1
31	5K-6168-1	M5x5	Socket Set Screw	1
32	5K-6126	B18	Worm Gear Cradle Throw-out	1
33	5K-6125	B19	Shift Sleeve	1
34	5K-6132	M5x12	Socket HD Cap Screw	3
35	5K-6227	B42	Bushing	1
36	5K-6226	3x10	Spring Pin	1

# 5HP (MILLING HEAD) AUTO FEED ASS'Y

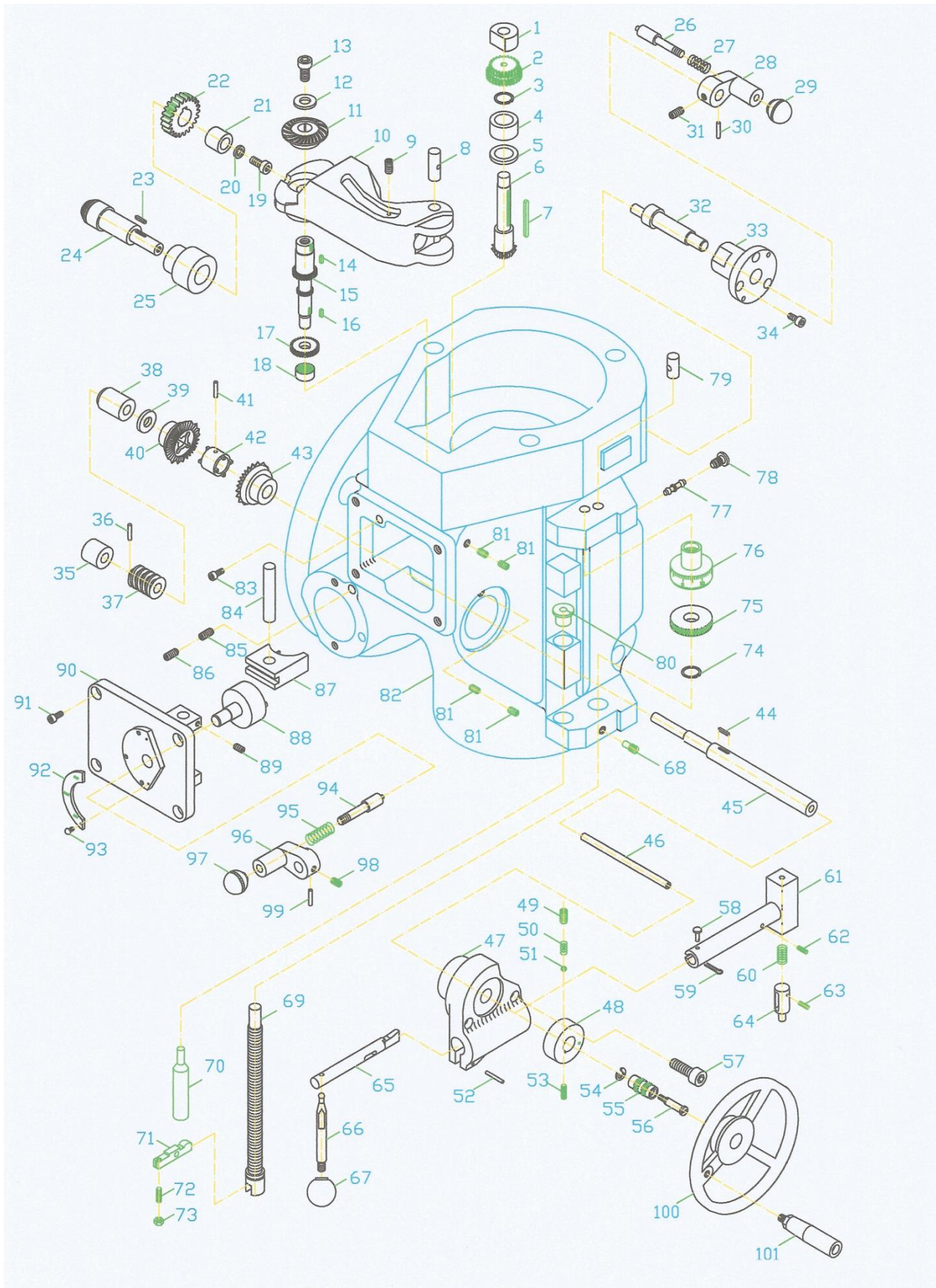


## 5HP (MILLING HEAD) AUTO FEED ASS'Y

ITEM NO.	PARTS NO.	FACTORY NO.	DESCRIPTION	Q'TY
37	5K-6225	B43	Worm	1
38	5K-6224	FB44	Feed Worm Shaft Bushing	1
39	5K-6223	B47	Feed Worm Shaft Thrust Washer	1
40	5K-6220	B48+49	Feed Reverse Bevel Gear	1
41	5K-6217	3x20	Spring Pin	1
42	5K-6222	B50	Feed Reverse Clutch	1
43	5K-6220	B48+49	Feed Reverse Bevel Gear	1
44	5K-6230	3x15	Key	1
45	5K-6209	FB57	Feed Worm Shaft	1
46	5K-6216	FB55	Reverse Clutch Rod	1
47	5K-6231	FB106	Feed Trip Bracket	1
48	5K-6218	B113	Handwheel Clutch	1
49	5K-6219-1	M8x6	Socket Set Screw	1
50	5K-6219-2	B115	Compression Spring	1
51	5K-6255	B114	Steel Ball	1
52	5K-6231-1	5x20	Dowel Pin	1
53	5K-6219	M6x6	Socket Set Screw	1
54	5K-6215	B112, E5	Snap Ring	1
55	5K-6213	B111	Reverse Knob	1
56	5K-6214	B110	Feed Reverse Knob Stud	1
57	5K-6232	M6x25	Socket HD Cap Screw	2
58	5K-6236-1		Dowel Pin	1
59	5K-6241-1	#2	Y Pin	1
60	5K-6242	B120	Compression Spring	1
61	5K-6236	FB118	Cam Rod Sleeve Assembly	1
62	5K-6237	3x16	Spring Pin	1
63	5K-6241	3x12	Spring Pin	1
64	5K-6240	B121	Trip Plunger	1
65	5K-6239	FB103	Cam Rod	1
66	5K-6234	FB104	Trip Handle	1
67	5K-6131	B24	Black Plastic Ball	1
68	5K-6112		Trip Lever Pin	1
69	5K-6104	B164	Quill Stop Micro-Screw	1
70	5K-6118	B124	Feed Trip Plunger	1
71	5K-6111	B145	Feed Trip Lever	1
72	5K-6113	B146, M4x20	Socket Set Screw	1
73	5K-6113-1	M4	Hex Nut	1
74	5K-6115	C16	Snap Ring	1



# 5HP (MILLING HEAD) AUTO FEED ASS'Y

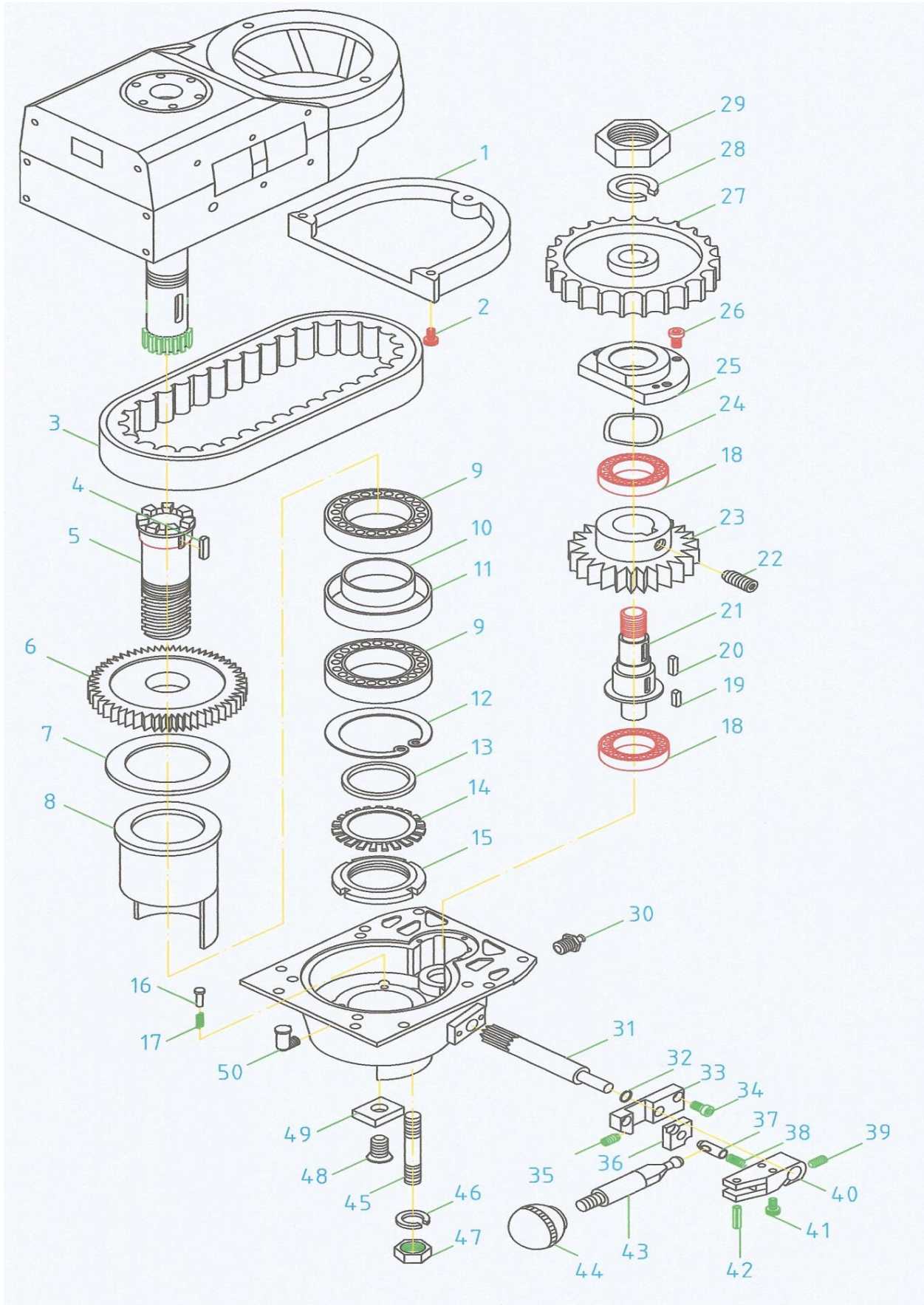


## 5HP (MILLING HEAD) AUTO FEED ASS'Y

ITEM NO.	PARTS NO.	FACTORY NO.	DESCRIPTION	Q'TY
75	5K-6108	B161	Quill Micro-Stop Nut	1
76	5K-6107	B162	Micrometer Nut	1
77	5K-6110	B183	Reverse Trip Ball Lever	1
78	5K-6114	B185	Reverse Trip Ball Lever Screw	1
79	5K-6109	B184	Feed Reverse Trip Plunger	1
80	5K-6118-1	B123	Trip Plunger Bushing	1
81	5K-6246	M6x8	Socket Set Screw	4
82	5K-6101	FB192	Quill Housing	1
83	5K-6101-1	M6x30	Socket HD Cap Screw	1
84	5K-6163	B60	Feed Shift Rod	1
85	5K-6228	M6x12	Mock-It Lock Screw	1
86	5K-6228-1	M6x8	Socket Set Screw	1
87	5K-6162	B63	Feed Gear Shift Fork	1
88	5K-6166	FB64	Cluster Gear Shift Crank	1
89	5K-6164	M5x5	Socket Set Screw	1
90	5K-6161	FB66	Cluster Gear Cover	1
91	5K-6165	M5x12	Socket HD Cap Screw	4
92	5K-6165-1	VS66-1	Feed Rate Plate	1
93	5K-6165-2		Drive Screw	2
94	5K-6169	B20	Gear Shift Plunger	1
95	5K-6170	B21	Compression Spring	1
96	5K-6168	B23	Shift Crank	1
97	5K-6171	B24	Black Plastic Ball	1
98	5K-6168-1	M5x5	Socket Set Screw	1
99	5K-6167	3x20	Spring Pin	1
100	5K-6210	B125	Handwheel	1
101	5K-6210-1	B126	Handle	1



### 8-7. 5HP E-mill HEAD TOP HOUSING

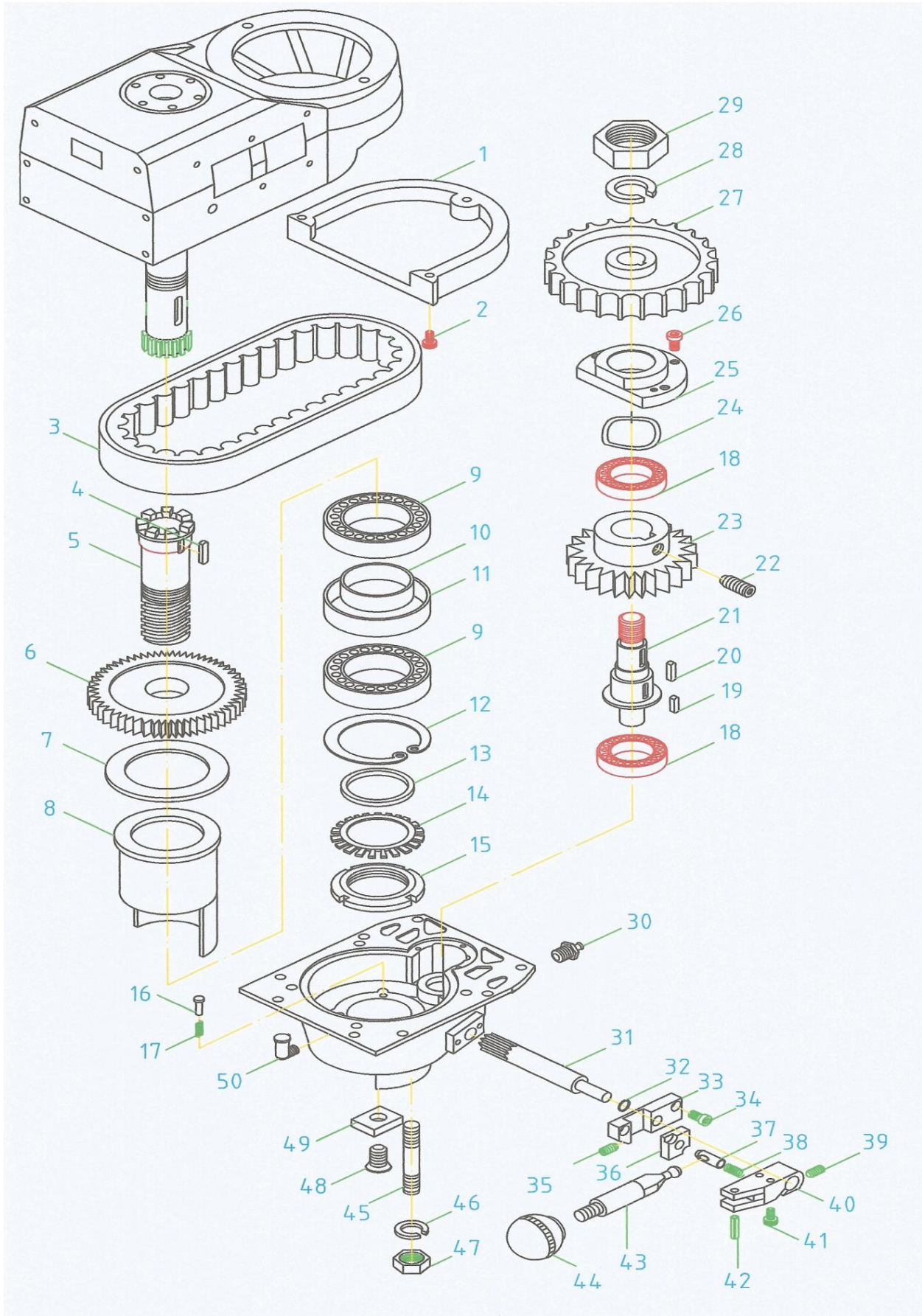


**5HP E-mill HEAD TOP HOUSING**

<b>ITEM NO.</b>	<b>PARTS NO.</b>	<b>FACTORY NO.</b>	<b>DESCRIPTION</b>	<b>Q'TY</b>
1	8054	VS11	Motor Pulley Cover	1
2	8055	VS12	Socket HD Cap Screw	3
3	5E7036	FVS63	Timing Belt	1
4	5E7081	FVS72	Key	1
5	5E7039	FVS73	Splined Gear Hub	1
6	5E7040	FVS74	Spindle Bull Gear	1
7	5E7057-2	FVS100	Bull Gear Washer	1
8	5E7048	FVS75	Ball Bearing Gear Sleeve	1
9	5E7041	FVS77	Bearing—6910VV	2
10	5E7043	FVS78	Bull Gear Bearing Spacer	1
11	5E7057	FVS79	Bearing Sleeve Spacer	1
12	5E7042	FVS80	Snap Ring	1
13	5E7039-1	FVS	Gear Hub Spacer	1
14	5E7058	FVS73-1	Wave Spring Washer	1
15	5E7056	FVS81	Bearing Lock Nut	1
16	7055-1	VS102	T-Tip Pin	3
17	7055	VS84	Compression Spring	3
18	7079	VS65	Ball Bearing-6203ZZ	2
19	7078	VS69	Key	1
20	7078	VS69	Key	1
21	7080	VS67	Bull Gear Pinion Counter Shaft	1
22	7077	VS03	Socket Set Screw	1
23	7083	VS66	Bull Gear Pinion	1
24	7082	VS64-1	Wave Spring Washer	1
25	7084	VS64	Bull Gear Pinion Bearing Cap	1
26	7085	VS12	Socket HD Cap Screw	3
27	5E7086	FVS62	Timing Belt Pulley	1
28	5E7087-1	FVS	Spring Washer	1
29	7087	VS61	Jam Nut	1
30	8063-3	VS82-4	Grease Nibble	1
31	5E7059	FVS87	Bull Gear Shrift Pinion Shaft	1
32	5E7059-1	VS	Wave Spring Washer	1
33	7060	VS89	Hi-Low Detent Plate	1
34	7068	VS12	Socket HD Cap Screw	2
35	7064	VS	Socket Set Screw	1
36	7065	VS89-1	Adjustable Plate	1



### 5HP E-mill HEAD TOP HOUSING

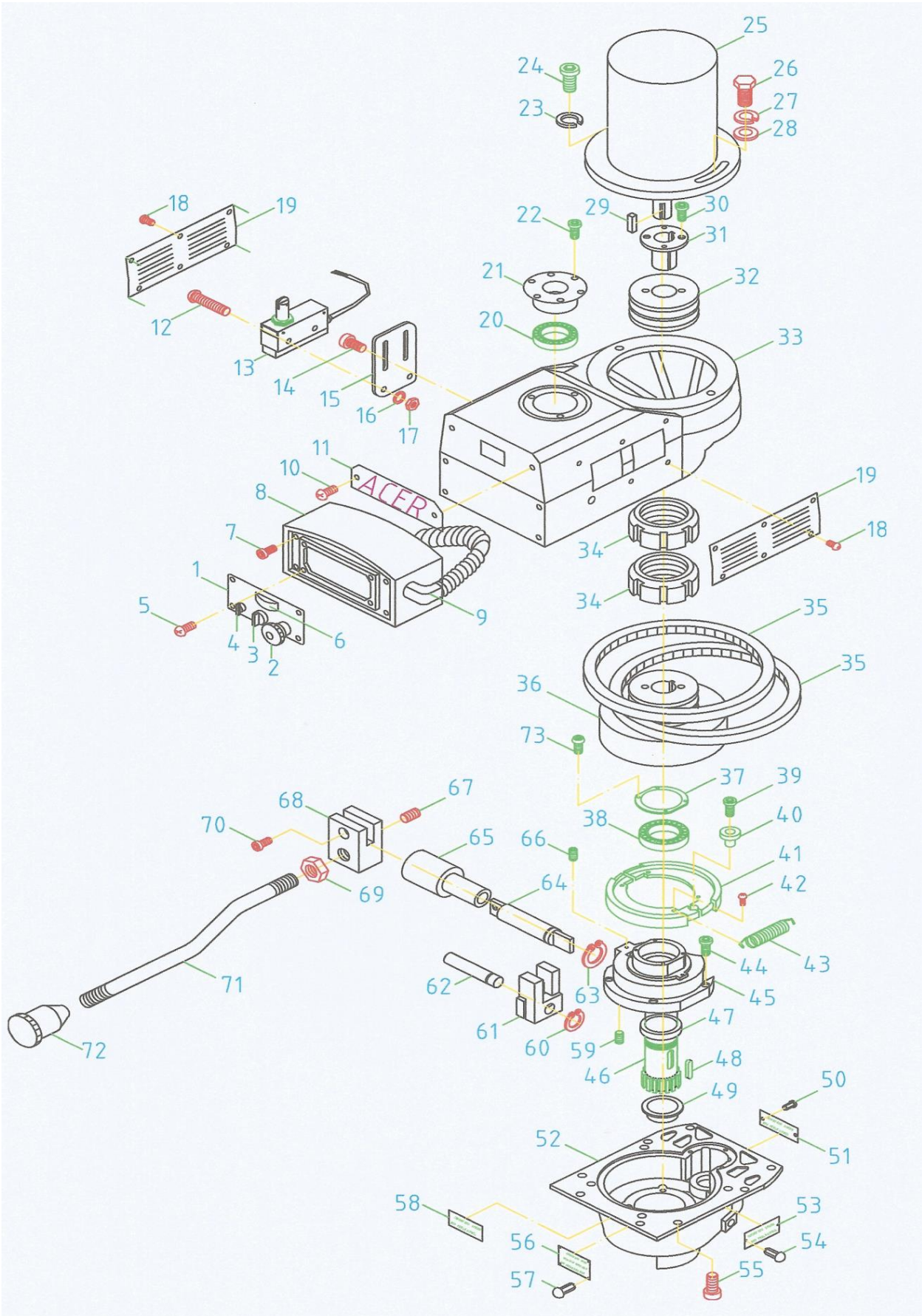




## 5HP E-mill HEAD TOP HOUSING

ITEM NO.	PARTS NO.	FACTORY NO.	DESCRIPTION	Q'TY
37	7066	VS90	Hi-Low Detent Plunger	1
38	7067	VS91	Spring	1
39	5E7071-1	VS	Socket Set Screw	1
40	7071	VS92	Hi-Low Pinion Block	1
41	7072-1	VS92-1	Socket HD Cap Screw	2
42	7072	VS88	Spring Pin	1
43	7070	VS94	Hi-Low Shift Crank	1
44	7069	B24	Bakelite Ball	1
45	5E7063	FVS85	Stud	3
46	5E7062	FVS85-1	Spring Washer	3
47	5E7061	FVS85-2	Hex Nut	3
48	5E7049-1	FVS83-1	Flat HD Cap Screw	2
49	5E7049-2	FVS83-2	Brass Locating Plate	2
50	7054	VS82-1	Oil Cup	1

# 8-8. 5HP E-mill HEAD BACK GEAR

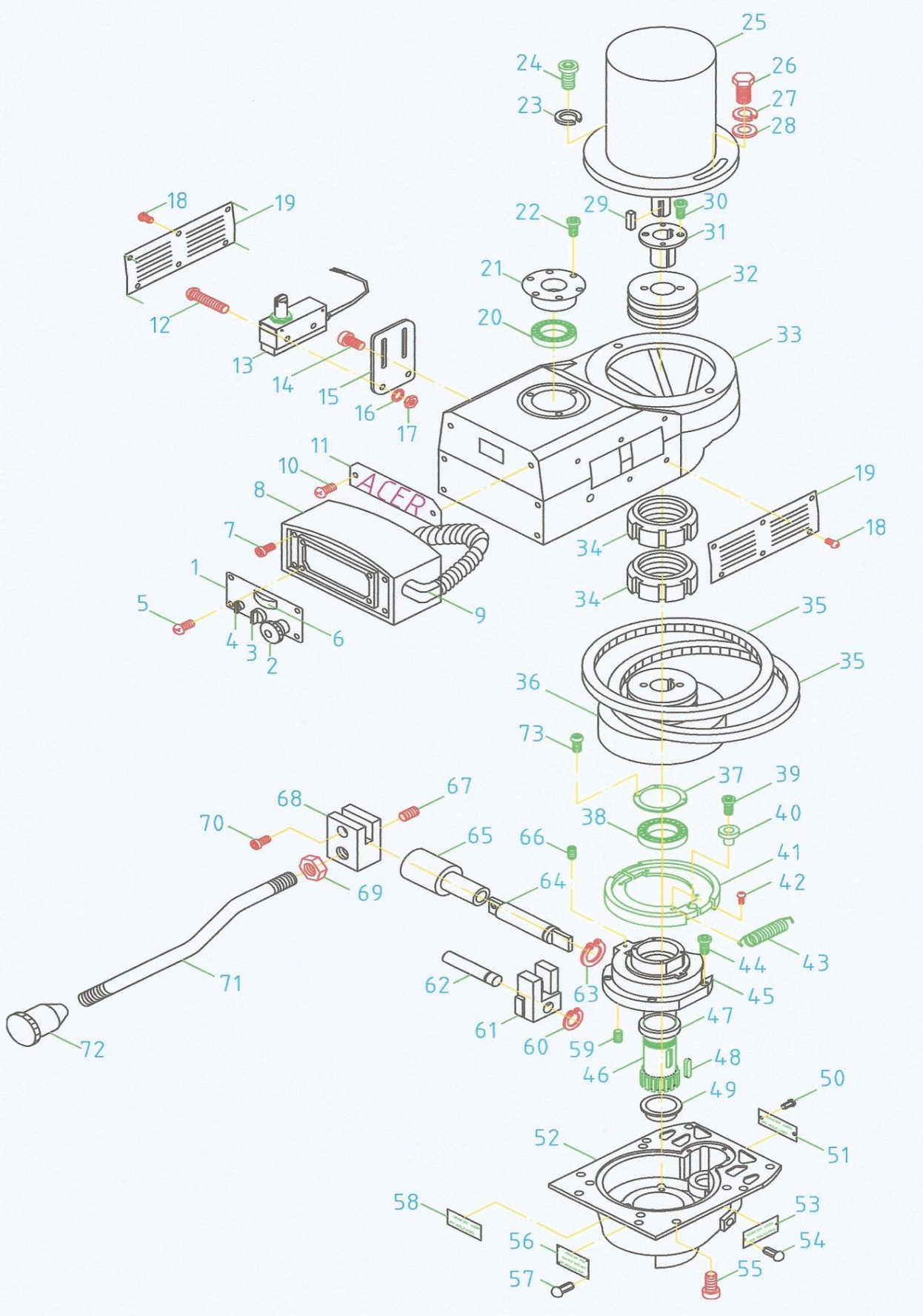


## 5HP E-mill HEAD BACK GEAR

ITEM NO.	PARTS NO.	FACTORY NO.	DESCRIPTION	Q'TY
1	5EH7023-1	FVS16-5	Chrome Face Plate	1
2	9500	VS	Emergency Switch	1
3	9501	VS	F/R Switch	1
4	9502	VS	Variable Resistor	1
5	7022-1	VS17-1	Round Socket Cap Screw	4
6	5E9503	VS	RPM Meter	1
7	H7025	VS17	Socket HD Cap Screw	4
8	H7005-1	VS16-6	Speed Changer Housing	1
9	9504	VS	Control Wire Cable	1
10	H8010-3	VS1-6	Round Socket Cap Screw	2
11	H8010-1	VS1-4	ACER Name Plate	1
12	7022-2	VS	Round Socket Cap Screw	2
13	9505	VS	Limit Switch w/Cable	1
14	7022-5	VS	Socket HD Cap Screw	2
15	H8010-2	VS1-5	Limit Switch Bracket Plate	1
16	7022-3	VS	Spring Washer	2
17	7022-4	VS	Hex Nut	2
18	H7088-1	VS101-1	Round Cap Wooden Screw	12
19	H7088	VS101	Ventilator	2
20	5E8004	FVS15	Ball Bearing—6209ZZ	1
21	5E7013	FVS13	Top Bearing Cap	1
22	8001	VS14	Socket HD Cap Screw	3
23	8009-3	VS	Wave Lock Washer	1
24	8009	VS	Socket HD Cap Screw	1
25	5E8008-1	VS	5 HP Spindle Motor	1
26	8009	VS	Socket HD Cap Screw	1
27	8009-3	VS	Wave Lock Washer	1
28	8009-2	VS	Washer	1
29	8039-1	VS06-1	Key	1
30	8040-3	VS02-3	Hex HD Screw	2
31	8040-2	VS02-2	V-Belt Pulley Sleeve	1
32	5E8040-1	FVS02-1	3V Belt Pulley	1
33	5E8010	FVS01	Belt Housing	1
34	5E8034-1	FVS70-2	Spindle Hub Lock Nut	2
35	5E8027-1	FVS04-1	3V Belt	2
36	5E8028-1	FVS45-1	Stationary Driven Pulley	1
37	5EH8053-3	FVS50-3	Brake Shoe Lock Plate	1
38	5E8023	FVS43	Ball Bearing—6013VV	1
39	8035	VS14	Round Socket Cap Screw	1



# 5HP E-mill HEAD BACK GEAR

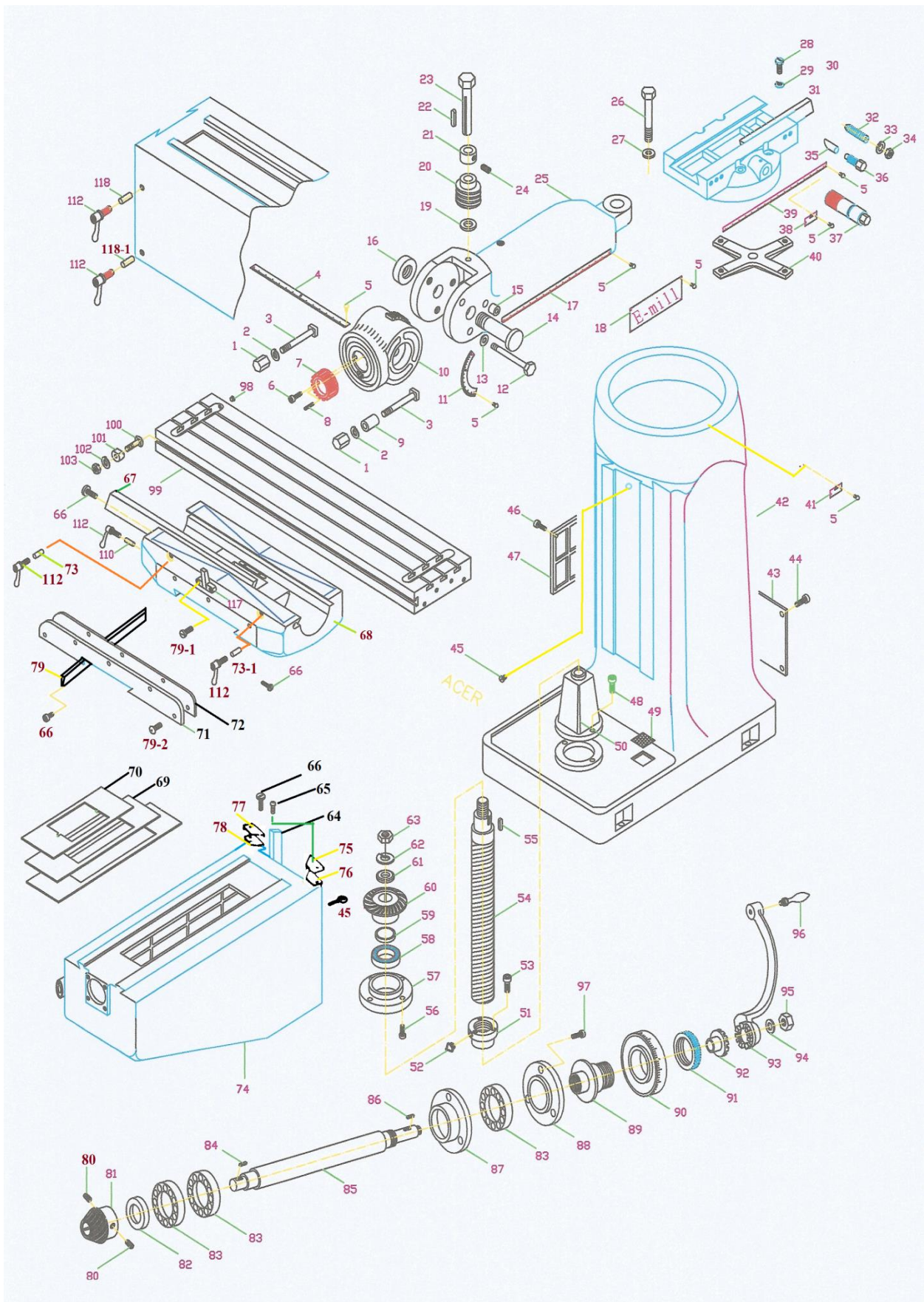


**5HP E-mill HEAD BACK GEAR**

<b>ITEM NO.</b>	<b>PARTS NO.</b>	<b>FACTORY NO.</b>	<b>DESCRIPTION</b>	<b>Q'TY</b>
40	8036	VS48	Brake Shoe Pivot Sleeve	1
41	5E8032	FVS47	Brake Shoe Assembly	1
42	8032-1	VS47-1	Round Cap Screw	4
43	8031	VS49	Brake Spring	2
44	H8064	VS51	Socket HD Cap Screw	4
45	5EH8053-2	FVS50-2	Belt Housing Base	1
46	5E8034-5	FVS70-1	Spindle Pulley Hub	1
47	5E8033	FVS98	Spindle Pulley Spacer	1
48	5E8049-1	FVS71-1	Key	1
49	5E7038	FVS105	Timing Pulley Clutch	
			Sleeve	1
50	8059	VS	Drive Screw	2
51	8063-2	VS01-1	Grease Add Name Plate	1
52	5EH8063	FVS82	Gear Housing	1
53	8058	VS82-2	Hi-Low Range Name Plate	1
54	8059	VS	Drive Screw	2
55	8055	VS12	Socket HD Cap Screw	8
56	8061	VS82-1	Quill Feed Name Plate	1
57	8059	VS	Drive Screw	4
58	H8063-1	VS82-3	Oil Add Name Plate	1
59	H8077	VS99	Socket Set Screw	1
60	8066	VS60	Snap Ring	1
61	8067	VS59	Brake Operating Finger	2
62	8068	VS58	Brake Finger Pivot Stud	1
63	8066-1	VS60-1	Snap Ring	1
64	H8074	VS53	Brake Lock Shaft	1
65	H8073	VS52	Sleeve for Brake Lock	
			Shaft	1
66	H8077	VS99	Socket Set Screw	1
67	8072	VS54-1	Socket Set Screw	1
68	8070-2	VS54	Brake Handle Block	1
69	8070-1	VS56-1	Hex Nut	1
70	8071-1	VS55-1	Socket HD Cap Screw	1
71	5E8070	FVS56	Brake Lock Handle	1
72	8069	VS57	Bakelite Ball Handle	1
73	5EH8053-4		Round Socket Cap Screw	4



## 8-9. 3VS & 3VSII Basic Machine

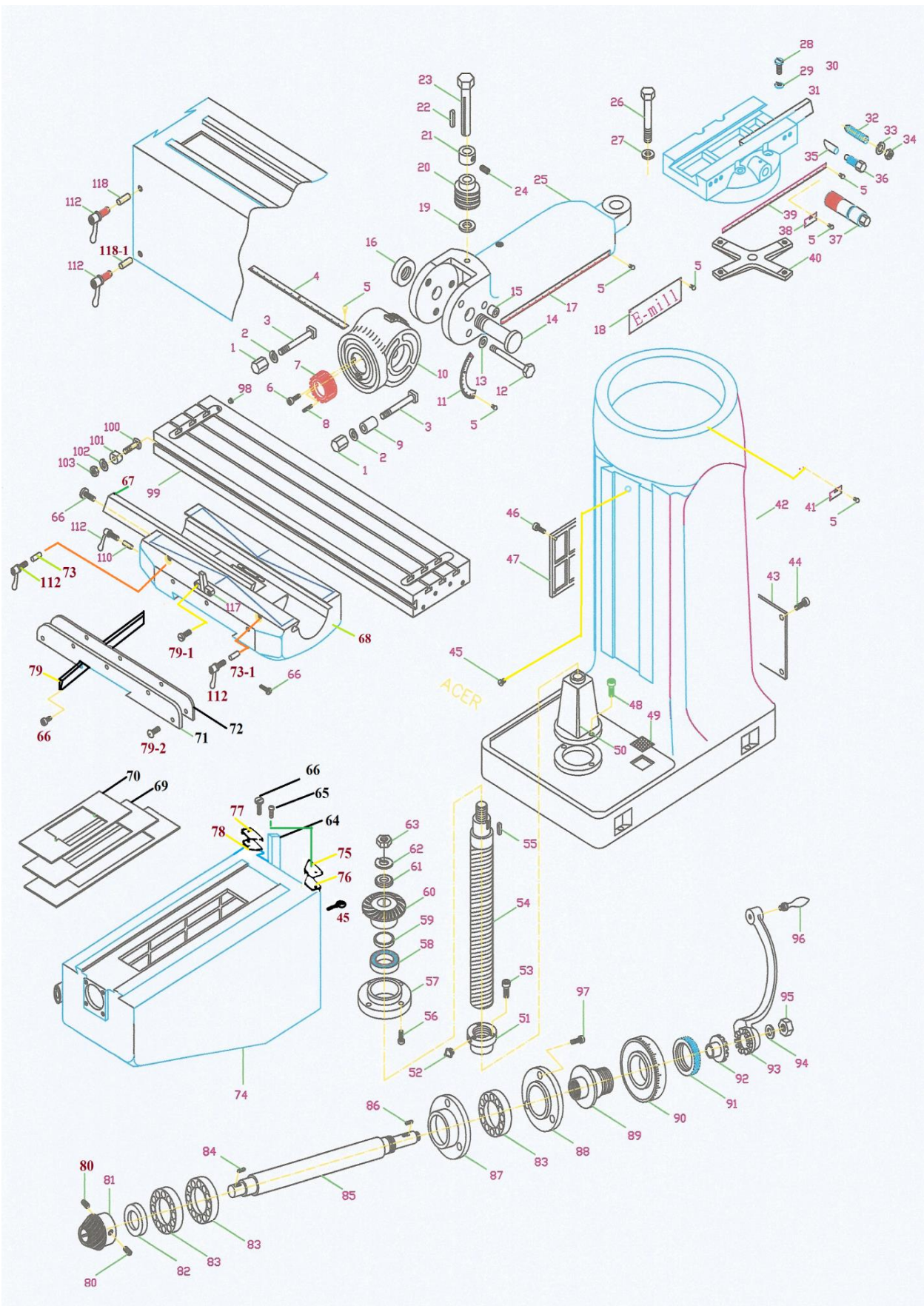


### 3VS & 3VSII Basic Machine

ITEM NO.	PARTS NO.	FACTORY NO.	DESCRIPTION	QT'Y
1	5038	B157	Lock Nut	4
2	5029	C18	Chamfered Spring Washer ½"	4
3	5036	B155	T Bolt Assembly	4
4	5016	C03	Ram Adapter Plate	1
5	5032	C16	Round HD Drive Screw	15
6	5035	C13	Socket Cap Screw M8X35	2
7	5033	C01	Quill Housing ADJ.Gear	1
8	5034	C14	Roll Dowel Pin 6X30	1
9	6120	B156	Lower Clamping Bolt Spacer	2
10	5019	C02	Ram Adapter	1
11	5043	C15	Angle Plate	1
12	5028	C19	Adapter Locking Bolt 190L	3
13	5029	C18	Chamfered & Hardened Washer ½"	7
14	5026	C17	Adapter Pivot Pin	1
15	H5028-1	C10-1	Adapter Locking Bolt Washer	1
16	5027	C04	Pivot Shaft Nut	1
17	5044		Ram Plate	1
18	5018-2		Series Name Plate	1
19	5021-1		Spacer	1
20	5020	C06	Vertical Adjusting Worm	1
21	5022	C07-1	Worm Thrust Washer	1
22	5023-1	C09	Worm Key 5X5X50	1
23	5021	C08	Vertical Adjusting Worm Shaft 166L	1
24	5023	C05	Set Screw 6X8	1
25	5018	C10	Ram	1
26	5004	C127	Turret Locking Bolt	4
27	5005	C18	Chamfered x Hardened Washer 1/2"	4
28	5015	C128	Ram Pinion Screw	1
29	5015-1		Washer	1
30	5001	C52	Turret	1
31	5002	C111	Ram / Turret Gib	1
32	H 5007-2	C110	Gib Screw	3
33	H 5008		Spring Washer	3



# 3VS & 3VSII Basic Machine

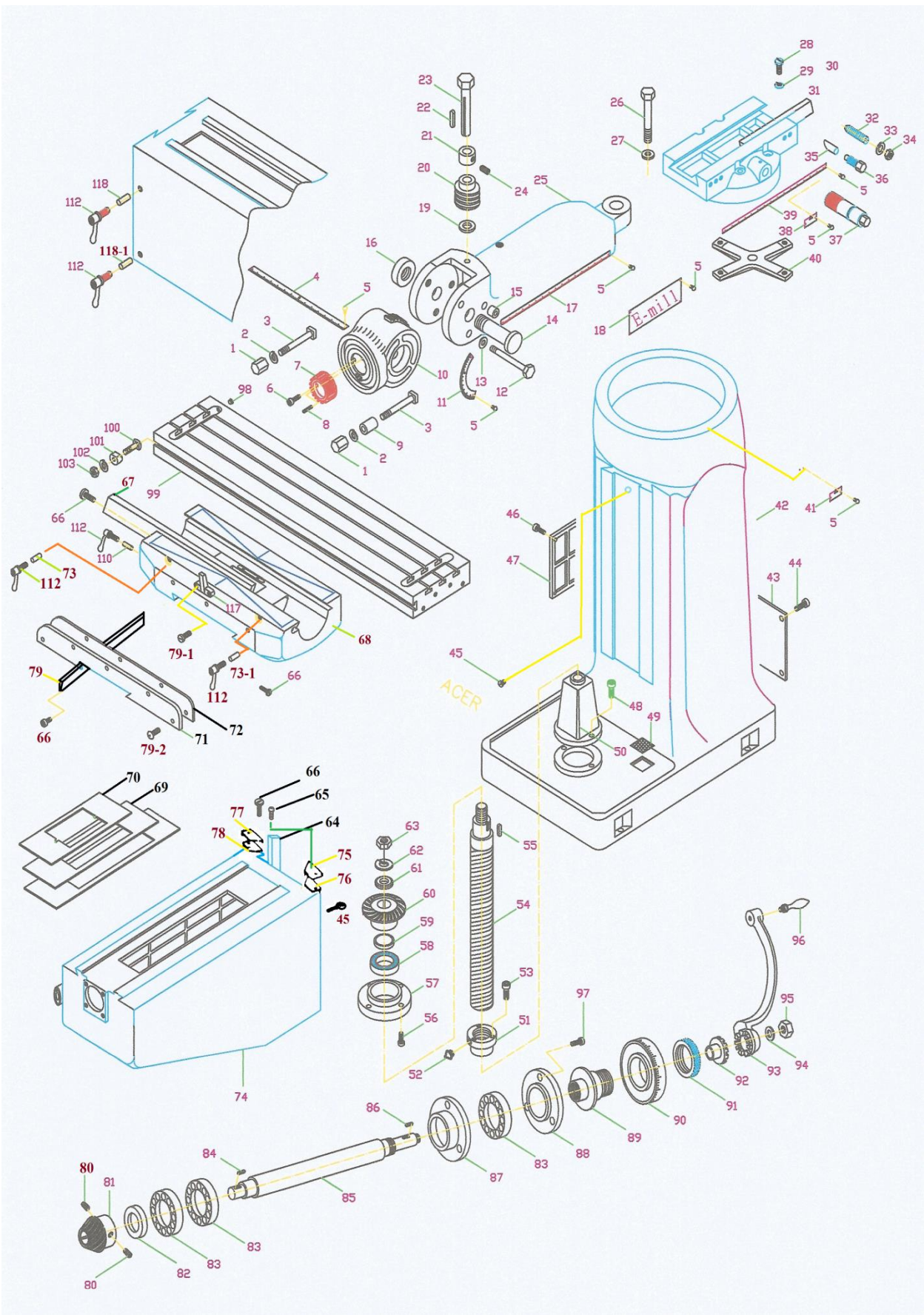




### 3VS & 3VSII Basic Machine

ITEM NO.	PARTS NO.	FACTORY NO.	DESCRIPTION	QT'Y
34	H 5007-1	C125	Gib Screw Nut 3/8	2
35	H 5006	C125	Ram Lock Plunger	2
36	5009-1	C119	Ram Lock Stud	2
37	5012	C120	Ram Pinion	1
38	5031	C21	Plate	3
39	5030	C126	Turret Plate	1
40	5003	C118	Spider	1
41	5031	C21	Plate	2
42	1001	C98	Column	1
43	1001-6		Column Back Cover	1
44	1001-7		Round HD + Screw 5x8mm	4
45	1001-2	C45	Stop Screw	2
46	H 1003	C29	Socket Head Cap Screw 6X16	4
47	H 1002	C28	Column Cover	1
48	4027	C102	Socket Head Cap Screw M10X35	2
49	1004	C130-1	Filter	2
50	4026	C103	Pedestal	1
51	4024	C104	Elevating Screw Nut	1
52	4024-1	C106	Grease Nipple	1
53	4025	C105	Socket Head Cap Screw 6X16	3
54	4021	C82	Elevating Screw Assembly	1
55	4020	C75	Key 5X5X20	1
56	4041	C81	Socket Head Cap Screw 8X20	3
57	8039	C80	Bearing Retainer Ring	1
58	4040	C79	Sealed Ball Bearing 5305	1
59	4022-1		Washer	1
60	4019	C77	Bevel Gear	1
61	4022		Washer	1
62	4022-2		Spring Washer	1
63	4023	C74	Jam Nut 1/2NF	1
64	4038	C55	Knee / Column Gib	1
65	4001-4		Round HD + Screw 5x12mm	6
66	3028	C41	Gib Adjusting Screw	6
67	3026	C43	Saddle / Table Gib	1
68	3001-1	C52-1	Saddle	1

# 3VS & 3VSII Basic Machine

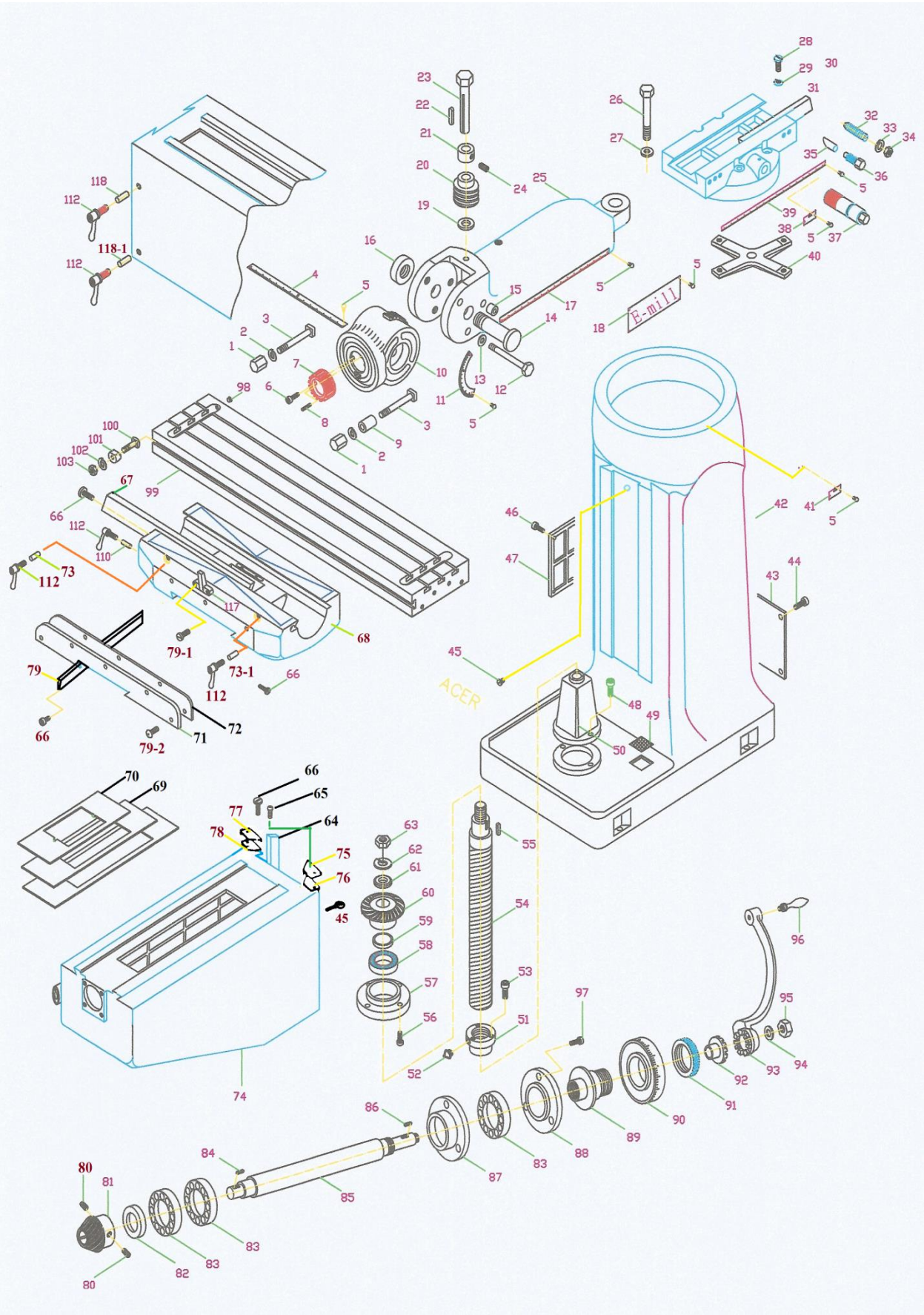


### 3VS & 3VSII Basic Machine

ITEM NO.	PARTS NO.	FACTORY NO.	DESCRIPTION	QT'Y
69	3039	C61	Chip Guards Plate Lower	1
70	3040	C59	Chip Guards Plate Upper	1
71	3037-2	C50	Saddle Knee Wiper Plate	2
72	3037	C44	Felt Wipers	2
73	3029	C46	Table Lock Plunger 20L	1
73-1	3029-1	C46	Table Lock Plunger 25L	1
74	4001	C62	Knee 12"	1
75	4028-3	C57	Right knee Wiper Plate	1
76	4028	C58	Knee Wiper Felt	1
77	4028-2	C53	Left Hand Column Wiper Holder	1
78	4028-1	C54	Knee Wiper Felt	1
79	3027	C49	Saddle / Knee Gib	1
79-1	3036	C40	Socket HD Cap Screw 8X12mm	2
79-2	4001-5		Round HD + Screw 5x16mm	6
80	4014-1		Set Screw 6X8	2
81	4014	C96	Bevel Pinion Gear	1
82	4013-1		Washer	1
83	2008	D8	Grease Sealed Bearing 6204	3
84	4015	C93	Key 3x3x18	1
85	4017	C94	Elevating Shaft for 12" knee	1
86	4015	C93	Key 3x3x18	1
87	4006	C92	Bearing Cap	1
88	2011	C90	Bearing Retaining Ring	1
89	4011	C88	Dial Holder	1
90	4010	C87	Dial With 100 Graduations	1
91	2016	C86	Dial Lock Nut	1
92	4013	C85	Gearshift Clutch Insert	1
93	4002	C84	Elevating Crank	1
94	4017-1		Washer	1
95	4017-2		Hex Nut	1
96	4003	C83	Handle	1
97	4009	C89	Socket Head Cap Screw M6X16	3
98	2035	C23-1	Plug	2
99	2001-50	C23	Table 50"	2
100	2031	C31	Stop Piece T-Bolt	2



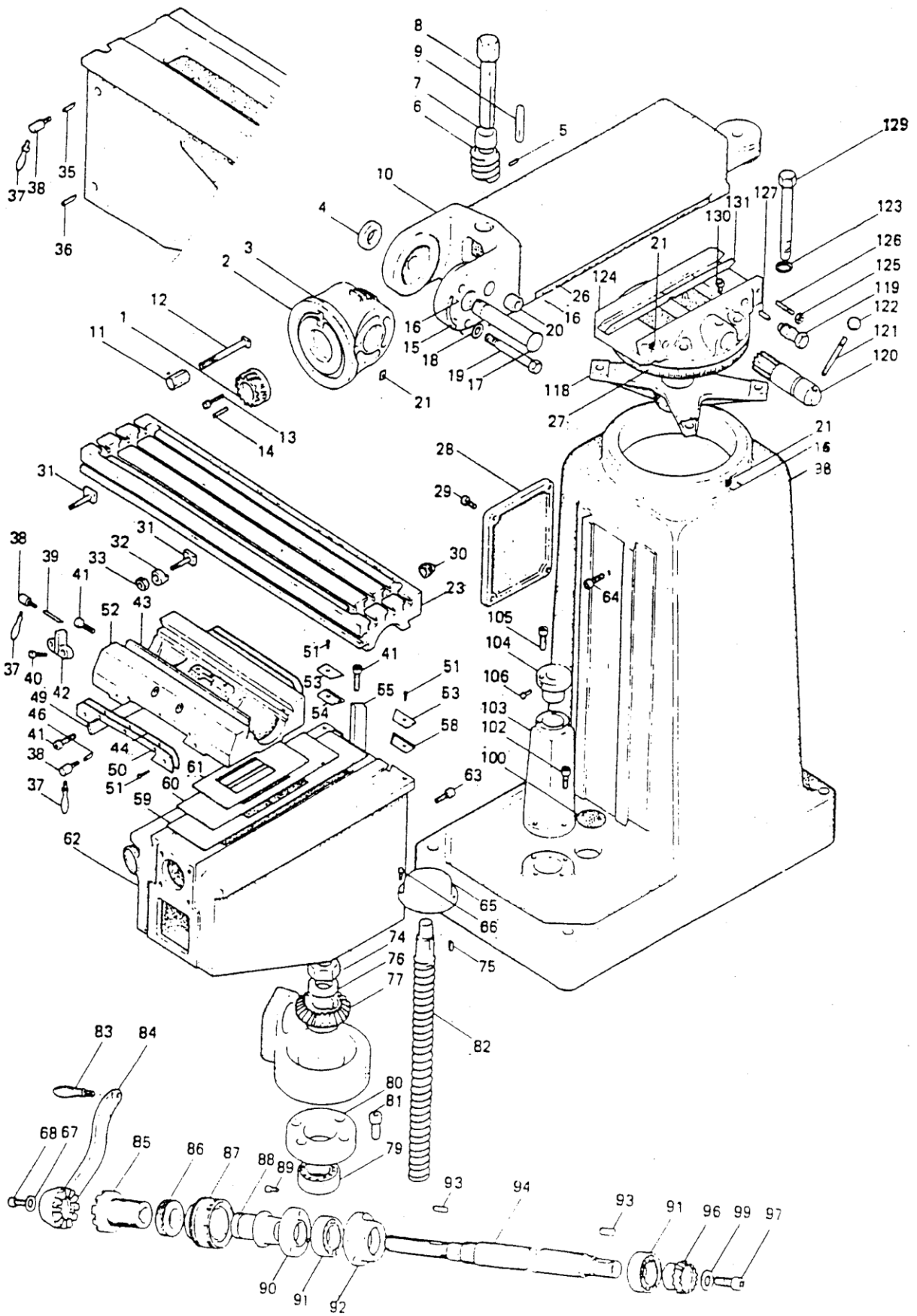
# 3VS & 3VSII Basic Machine



### 3VS & 3VSII Basic Machine

ITEM NO.	PARTS NO.	FACTORY NO.	DESCRIPTION	QT'Y
101	2030	C32	Table Stop Bracket Piece	2
102	2031-1		Spring Washer	2
103	2032	C33	Hex Nut 3/8	2
110	3032	C39	Saddle Lock Plunger	1
110-1	3032-1	C39	Saddle Lock Plunger	1
112	3031	C37	Table Lock Bolt Handle	6
	3030	C38	Saddle Lock Bolt	6
117	3035	C42	Table Stop Bracket	1
118	4043	C46	Knee Lock Plunger 61L	1
118-1	4044	C46	Knee Lock Plunger 64L	1

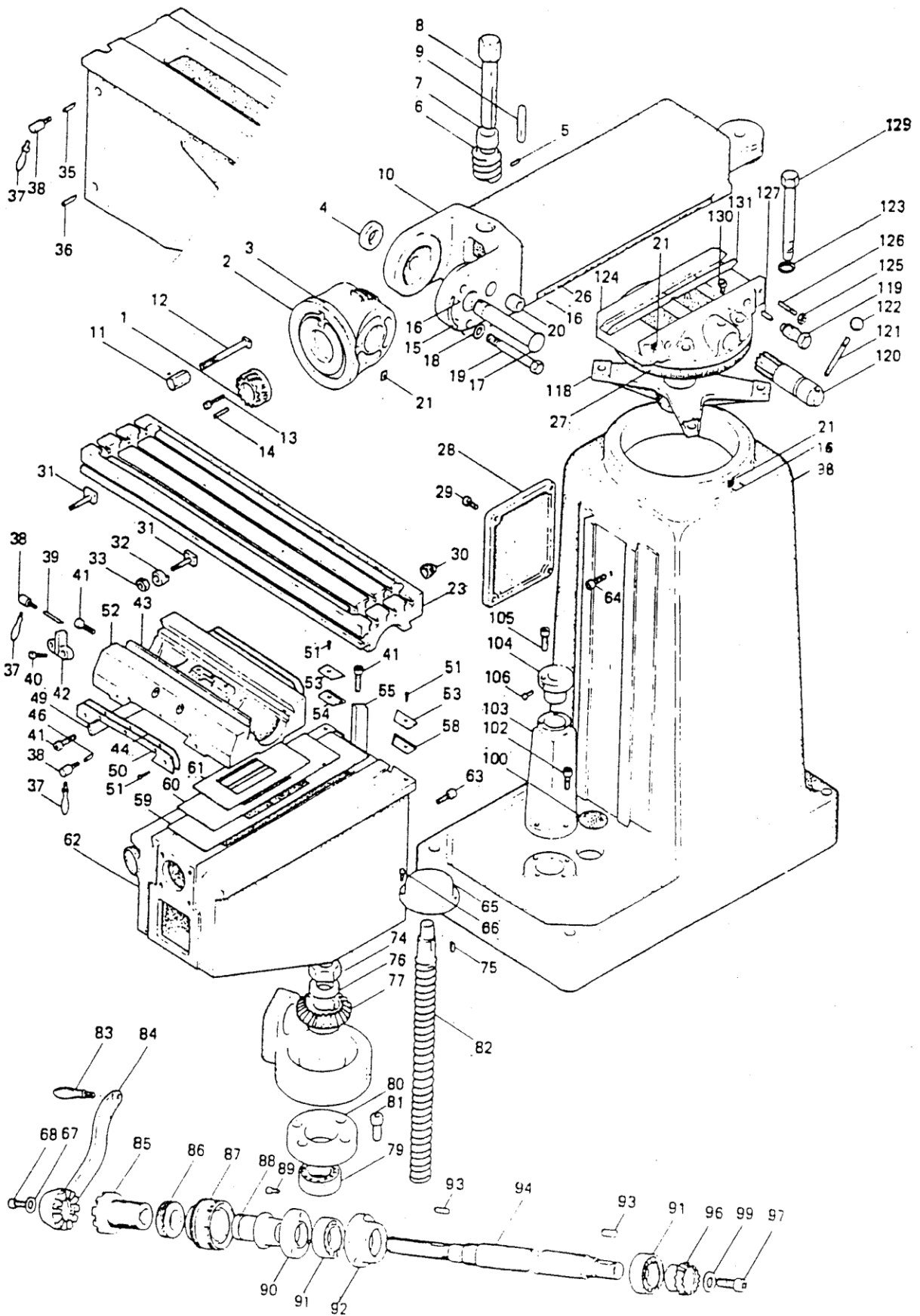
# 8-10. 3VK Basic Machine



### 3VK Basic Machine

ITEM NO.	PARTS NO.	FACTORY NO.	DESCRIPTION	QT'Y
1	5033	C01	Quill Housing ADJ.Gear	1
2	5019	C02	Ram Adapter	1
3	5016	C03	Ram Adapter Plate	1
4	5027	C04	Pivot Shaft Nut	1
5	5023	C05	Set Screw 6X8	1
6	5020	C06	Vertical Adjusting Worm	1
7	5022	C07-1	Worm Thrust Washer	1
8	5021	C08	Vertical Adjusting Worm Shaft 166L	1
9	5023-1	C09	Worm Key 5X5X50	1
10	5018	C10	Ram	1
11	5038	B157	Nut	4
12	5036	B155	Locking Bolt	4
13	5035	C13	Socket Cap Screw M8X35	2
14	5034	C14	Roll Dowel Pin 6X30	1
15	5043	C15	Angle Plate	1
16	5032	C16	Round HD Drive Screw	15
17	5026	C17	Adapter Pivot Pin	1
18	5029	C18	Chamfered & Hardened Washer 1/2	7
19	5028	C19	Adapter Locking Bolt 190L	3
20	H 5028-1	C10-1	Adapter Locking Bolt Washer	1
21	5031	C21	Plate	3
23	2001-50	C23	Table 50"	2
26	H 5044	C10-1	Ram Plate	1
27	5030	C126	Turret Plate	1
28	H 1002	C28	Column Cover	1
29	H 1003	C29	Socket Head Cap Screw 6X16	4
30	2035	C23-1	Plug	2
31	2031	C31	Stop Piece T-Bolt	2
32	2030	C32	Table Stop Bracket Piece	2
33	2032	C33	Hex Nut 3/8	2
35	4043	C46	Knee Lock Plunger 61L	1
36	4044	C46	Knee Lock Plunger 64L	1
37	3031	C37	Table Lock Bolt Handle	6
38	3030	C38	Saddle Lock Bolt	6

# 3VK Basic Machine





### 3VK Basic Machine

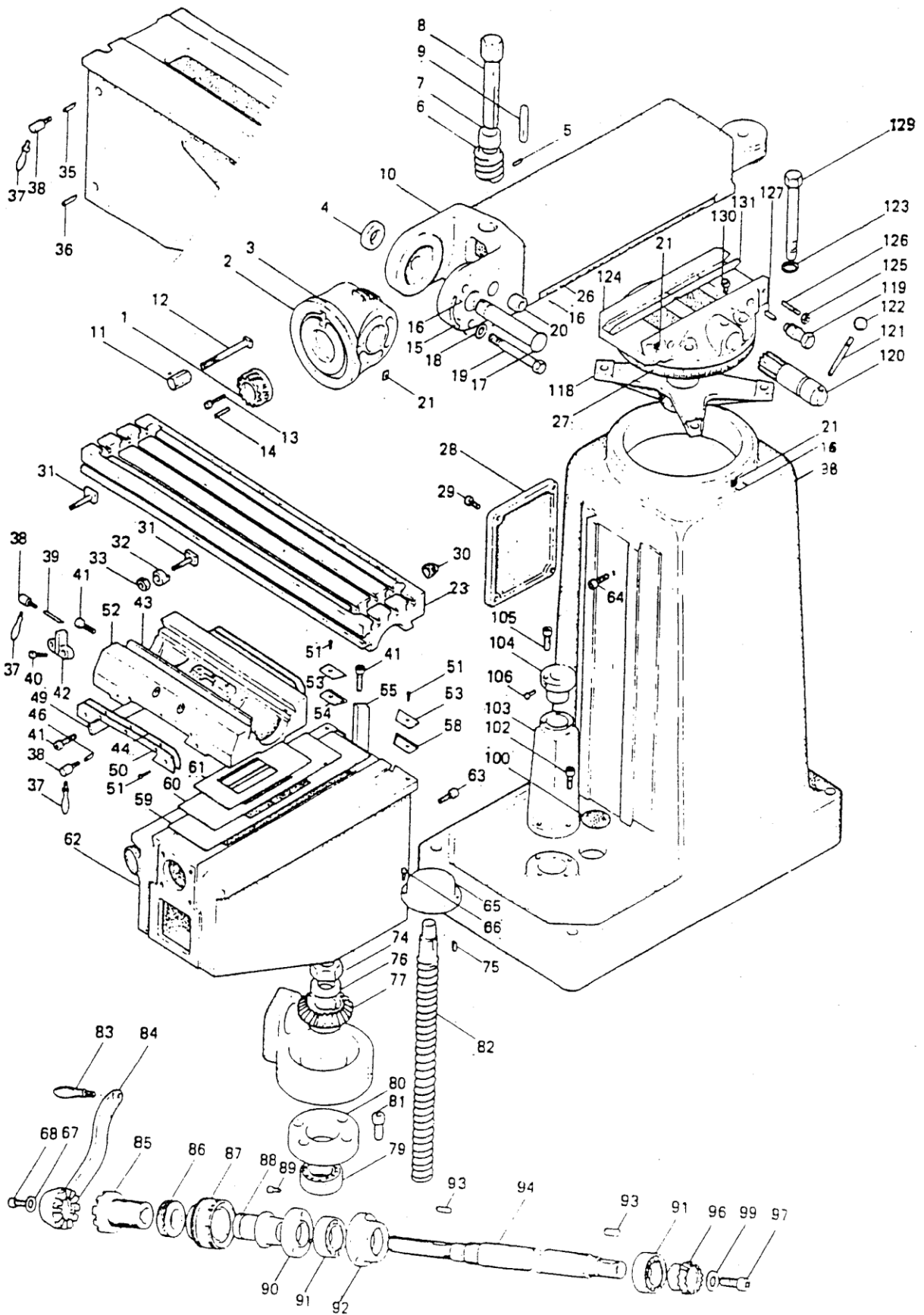
ITEM NO.	PARTS NO.	FACTORY NO.	DESCRIPTION	QT'Y
39	3032	C46	Saddle Lock Plunger	1
39-1	3032-1	C46	Saddle Lock Plunger	1
40	3036	C40	Socket HD Cap Screw 10X16	2
41	3028	C41	Gib Adjusting Screw	6
42	3035	C42	Table Stop Bracket	1
43	3026	C43	Saddle / Table Gib	1
44	3037	C44	Felt Wipers	2
46	3029	C46	Table Lock Plunger 20L	1
46-1	3029-1	C46	Table Lock Plunger 25L	1
47	3030	C47	Table Lock Bolt	6
48	30311	C48	Table Lock Bolt Handle	6
49	3027	C49	Saddle / Knee Gib	1
50	3037-2	C50	Saddle Knee Wiper Plate	2
51	3038	C51	Oval Head Screw 5X12	12
52	3001	C52	Saddle	1
53	4028-2	C53	Left Hand Column Wiper Holder	1
54	4028-1	C54	Knee Wiper Felt	1
55	4038	C55	Knee / Column Gib	1
56	4029	C56	Oval Head Screw	2
57	4028-3	C57	Right knee Wiper Plate	1
58	4028	C58	Knee Wiper Felt	1
60	3040	C59	Chip Guards Plate Upper	1
61	3039	C61	Chip Guards Plate Lower	1
62	4001	C62	Knee 16"	1
63	1001-1	C63	Stop Screw	1
64	1001-2	C45	Stop Screw	1
65	3030	C38	Knee Lock Bolt	2
66	3031	C37	Knee Lock Bolt Handle	2
69	4001-1	C46	Knee Lock Plunger	2
74	4023	C74	Jam Nut 1/2NF	1
75	4020	C75	Key 5X5X20	1
76	4022	C76	Washer	1
77	4019	C77	Bevel Gear	1
79	4040	C79	Sealed Ball Bearing 5305	1



### 3VK Basic Machine

ITEM NO.	PARTS NO.	FACTORY NO.	DESCRIPTION	QT'Y
80	8039	C80	Bearing Retainer Ring	1
81	4041	C81	Socket Head Cap Screw 8X20	3
82	4021	C82	Elevating Screw Assembly	1
83	4003	C83	Handle	1
84	4002	C84	Elevating Crank	1
85	4013	C85	Gearshift Clutch Insert	1
86	2016	C86	Dial Lock Nut	1
87	4010	C87	Dial With 100 Graduations	1
87-1	4010-1		Spacers	
88	4011	C88	Dial Holder	1
88-1	4011-1		Set Screw	
89	4009	C89	Socket Head Cap Screw M6X16	3
90	2011	C90	Bearing Retaining Ring	1
91	2008	D8	Grease Sealed Bearing 6204	3
92	4006	C92	Bearing Cap	1
93	4015	C93	Key 3X3X18	2
94	4017	C94	Elevating Shaft for 12" Knee	1
95	4016	C95	Sealed Ball Bearing 6204ZZ	2
96	4014	C96	Bevel Pinion Gear	1
97	4042	C97	Set Screw	1
98	1001	C98	Column	1
99	4017-1		Spacer Washer	1
102	4027	C102	Socket Head Cap Screw M10X35	2
103	4026	C103	Pedestal	1
104	4024	C104	Elevating Screw Nut	1
105	4025	C105	Socket Head Cap Screw 6X16	3
106	4024-1	C106	Grease Nipple	1
118	5003	C118	Spider	1
119	5009-1	C119	Ram Lock Stud	2
120	5012	C120	Ram Pinion	1
121	5013	C121	Ram Pinion Handle	1
122	5014	C122	Plastic Ball	1
123	5005	C18	Chamfered x Hardened Washer 1/2"	4
124	5001	C52	Turret	1
125	H 5007-1	C125	Gib Screw Nut 3/8	2

# 3VK Basic Machine

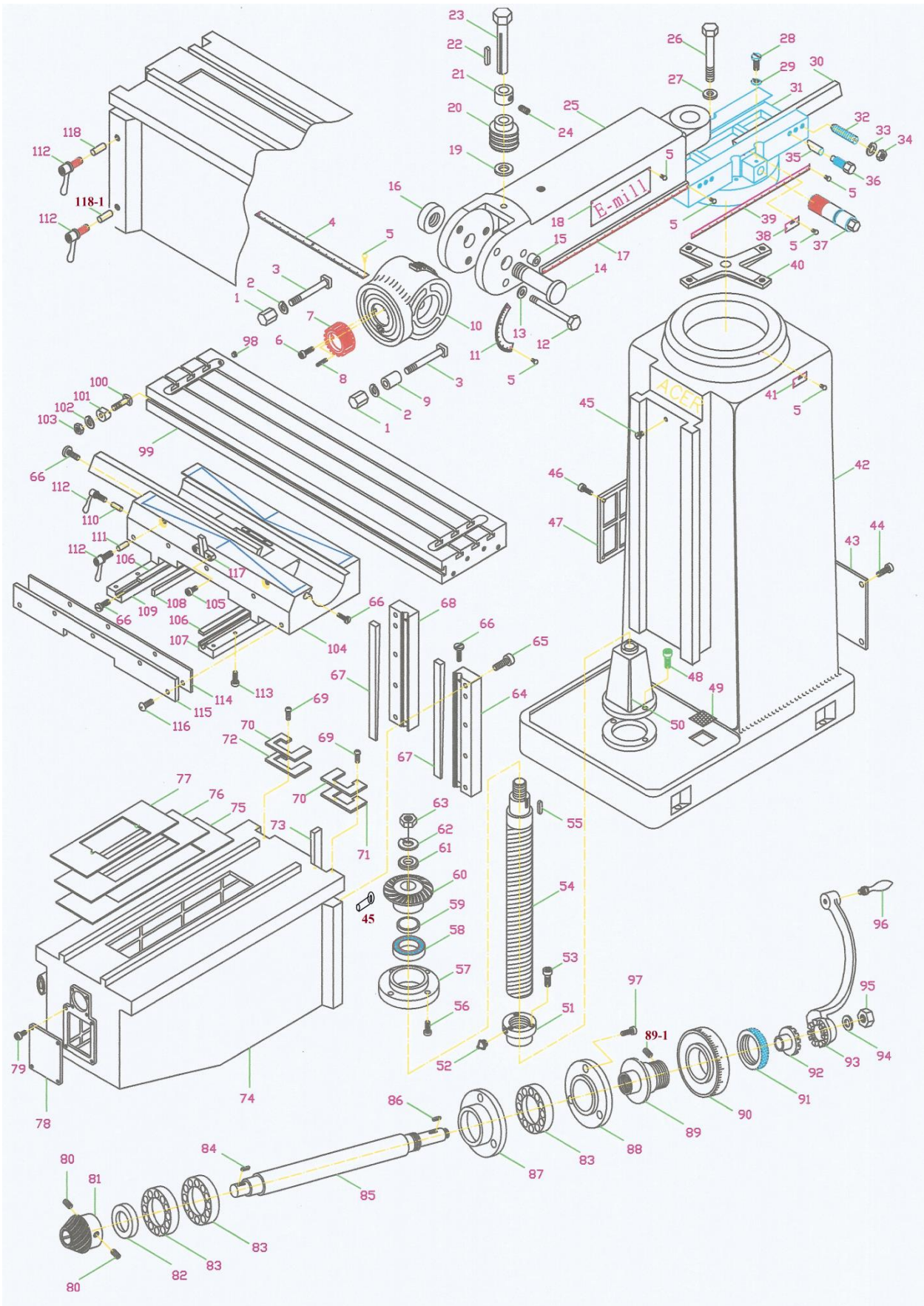


### 3VK Basic Machine

<b>ITEM NO.</b>	<b>PARTS NO.</b>	<b>FACTORY NO.</b>	<b>DESCRIPTION</b>	<b>QT'Y</b>
126	H 5007	C110	Gib Screw	2
127	H 5006	C125	Ram Lock Plunger	2
129	5004	C127	Turret Locking Bolt	4
130	5015	C128	Ram Pinion Screw	1
130-1	5015-1		Spring Washer	1
131	5002	C111	Ram / Turret Gib	1



# 8-11. 3VKH Basic Machine

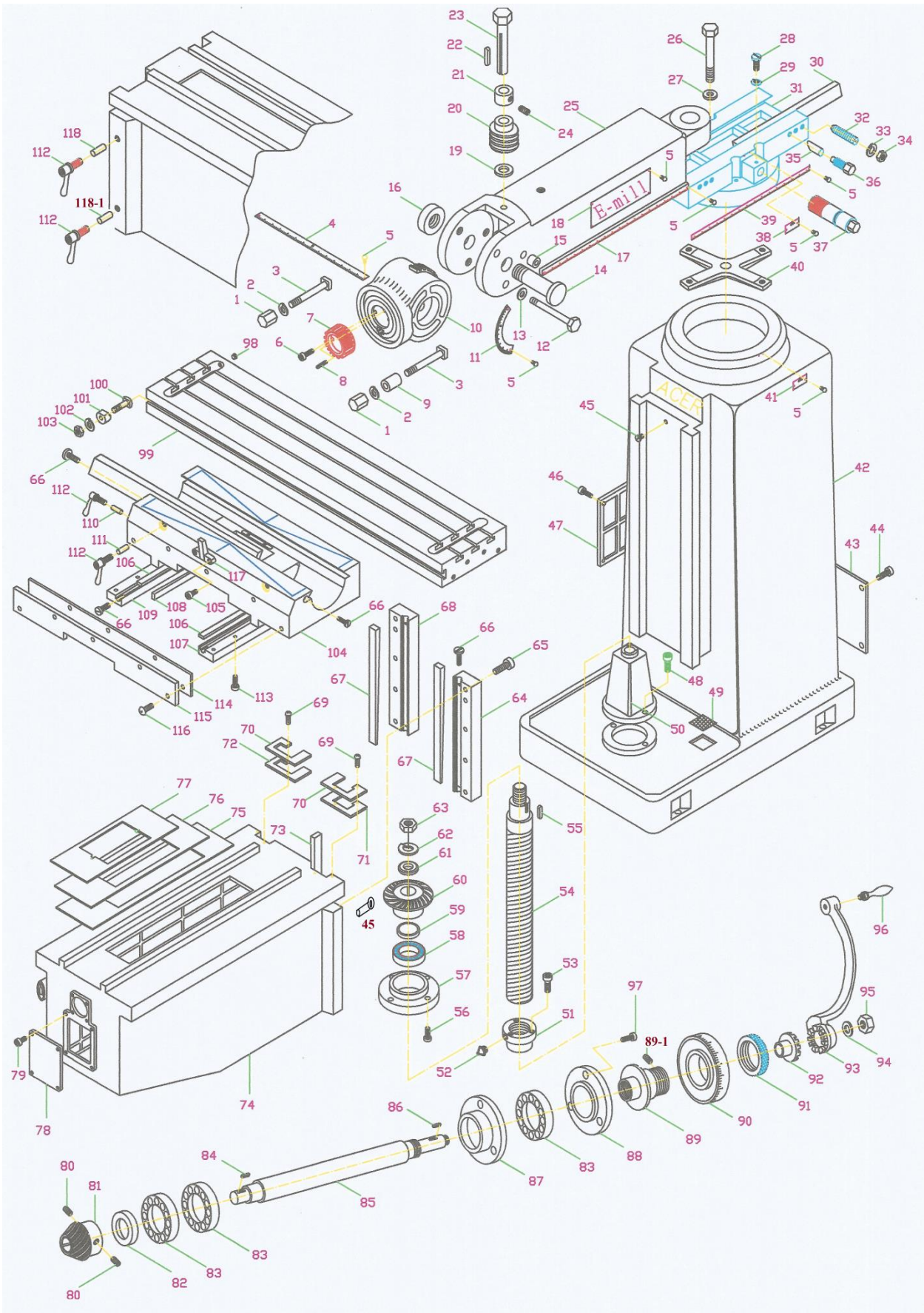


### 3VKH Basic Machine

ITEM NO.	PARTS NO.	FACTORY NO.	DESCRIPTION	QT'Y
1	5038	B157	Lock Nut	4
2	6244-1		Spring Washer	4
3	6244		Chem Blacked RD.HD.Screws 16	4
4	5016	C03	Ram Adapter Plate	1
5	5032	C16	Round HD Drive Screw	15
6	5035	C13	Socket Cap Screw M8X35	2
7	5033	C01	Quill Housing ADJ.Gear	1
8	5034	C14	Roll Dowel Pin 6X30	1
9	6120	B156	Lower Clamping Bolt Spacer	2
10	5019	C02	Ram Adapter	1
11	5043	C15	Angle Plate	1
12	5028	C19	Adapter Locking Bolt 190L	3
13	5029	C18	Chamfered & Hardened Washer 1/2	7
14	5026	C17	Adapter Pivot Pin	1
15	H5028-1	C10-1	Adapter Locking Bolt Washer	1
16	5027	C04	Pivot Shaft Nut	1
17	5044		Ram Plate	1
18	5018-2		Series Name Plate	2
19	5021-1		Spacer	1
20	5020	C06	Vertical Adjusting Worm	1
21	5022	C07-1	Worm Thrust Washer	1
22	5023-1	C09	Worm Key 5X5X50	1
23	5021	C08	Vertical Adjusting Worm Shaft 166L	1
24	5023	C05	Set Screw 6X8	1
25	5018	C10	Ram	1
26	5004	C127	Turret Locking Bolt	4
27	5005	C18	Chamfered x Hardened Washter 1/2"	4
28	5015	C128	Ram Pinion Screw	1
29	5015-1		Washer	1
30	5002	C111	Ram / Turret Gib	1
31	5001	C52	Turret	1
32	H 5007-2	C110	Gib Screw	3
33	H 5008		Spring Washer	3



# 3VKH Basic Machine

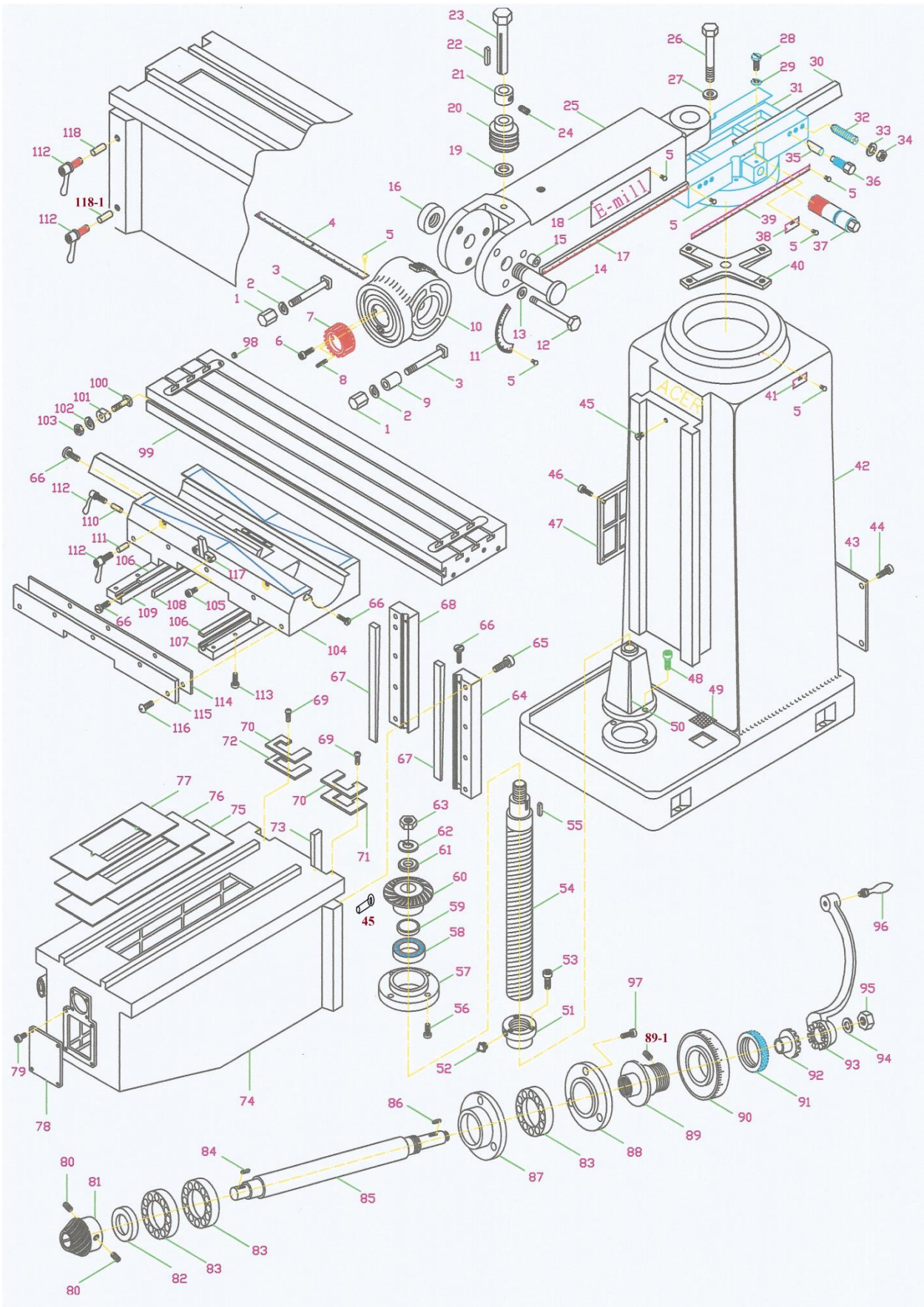


### 3VKH Basic Machine

ITEM NO.	PARTS NO.	FACTORY NO.	DESCRIPTION	QT'Y
34	H 5007-1	C125	Gib Screw Nut 3/8	3
35	H 5006	C125	Ram Lock Plunger	2
36	5009-1	C119	Ram Lock Stud	2
37	5012	C120	Ram Pinion	1
38	5031	C21	Plate	3
39	5030	C126	Turret Plate	1
40	5003	C118	Spider	1
41	5031	C21	Plate	2
42	1001	C98	Column	1
43	1001-6		Column Back Cover	1
44	1001-7		Round HD + Screw 5x8mm	4
45	1001-2	C45	Stop Screw	2
46	H 1003	C29	Socket Head Cap Screw 6X16	4
47	H 1002	C28	Column Cover	1
48	4027	C102	Socket Head Cap Screw M10X35	2
49	1004	C130-1	Filter	2
50	4026	C103	Pedestal	1
51	4024	C104	Elevating Screw Nut	1
52	4024-1	C106	Grease Nipple	1
53	4025	C105	Socket Head Cap Screw 6X16	3
54	4021	C82	Elevating Screw Assembly	1
55	4020	C75	Key 5X5X20	1
56	4041	C81	Socket Head Cap Screw 8X20	3
57	8039	C80	Bearing Retainer Ring	1
58	4040	C79	Sealed Ball Bearing 5305	1
59	4022-1		Washer	1
60	4019	C77	Bevel Gear	1
61	4022		Washer	1
62	4022-2		Spring Washer	1
63	4023	C74	Jam Nut 1/2NF	1
64	4H-4051		Knee/Column Gib Support	1
65	4H-4052		Socket Head Cap Screw	10
66	3028	C41	Gib Adjusting Screw	6
67	4H-4053		Knee/Column Gib	2



# 3VKH Basic Machine

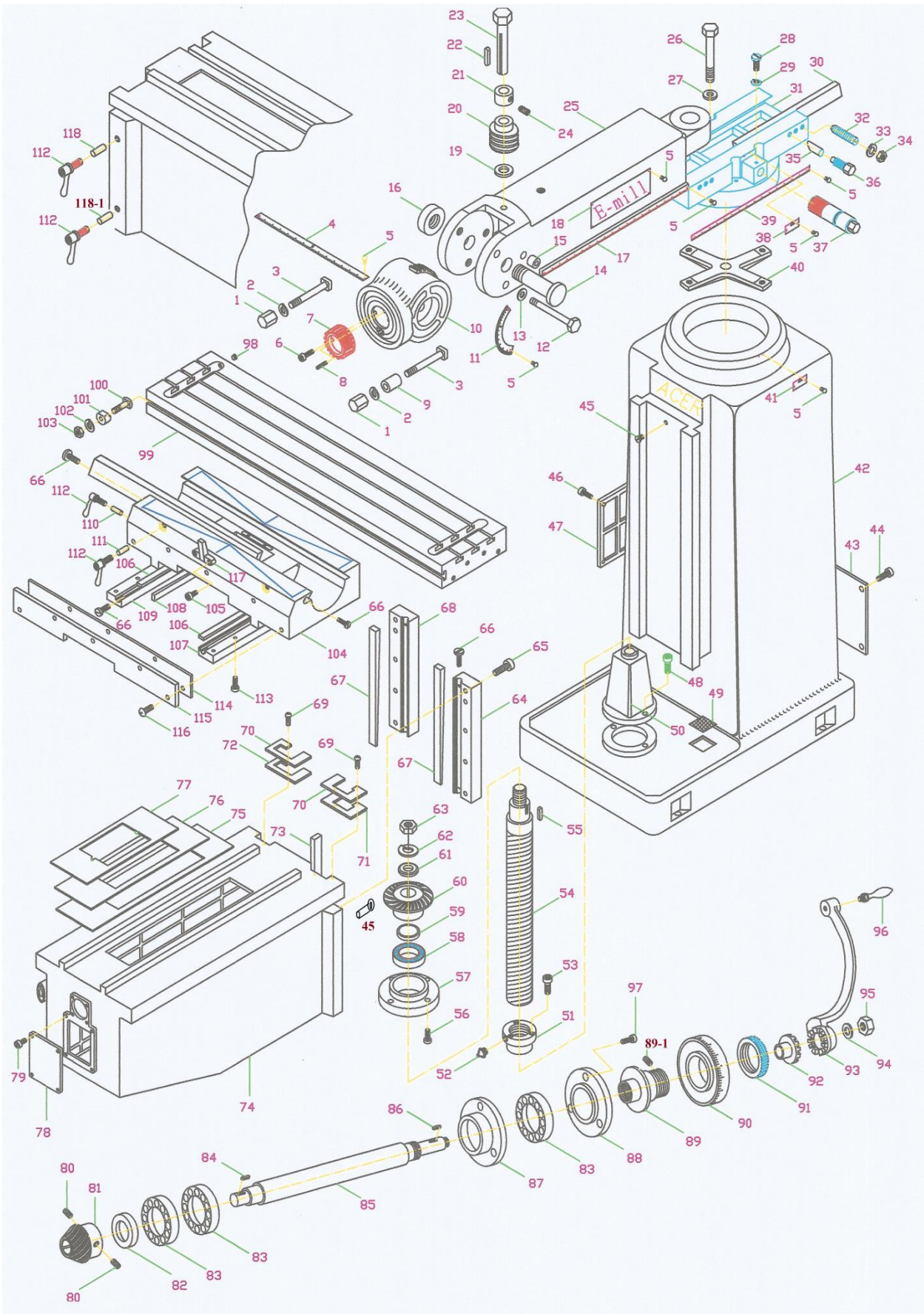




### 3VKH Basic Machine

ITEM NO.	PARTS NO.	FACTORY NO.	DESCRIPTION	QT'Y
68	4H-4050		Knee/Column Gib Support	1
69	3038		Oval Head Screw	8
70	4H-4028-2	C53H	Wiper Holder	1
71	4H-4028	C54H	Right Knee Wiper Felt	1
72	4H-4028-1	C58H	Left Knee Wiper Felt	1
73	4H-4038		Knee/Column Gib	1
74	4H-4001		Knee 18"	1
75	4H-3039	C60-627	Chip Guards Plate Lower	1
76	3039	C60-490	Chip Guards Plate Middle	1
77	3040	C60-370	Chip Guards Plate Upper	1
78	3B-1005		Knee Cover	1
79	3B-1005-1		Socket Head Cap Screw	4
80	4014-1		Set Screw 6X8	2
81	4014	C96	Bevel Pinion Gear	1
82	4013-1		Washer	1
83	2008	D8	Grease Sealed Bearing 6204	3
84	4015	C93	Key 3x3x18	1
85	4017	C94	Elevating Shaft for 12" knee	1
86	4015	C93	Key 3x3x18	1
87	4006	C92	Bearing Cap	1
88	2011	C90	Bearing Retaining Ring	1
89	4011	C88	Dial Holder	1
89-1	4011-1		Set Screw	1
90	4010	C87	Dial With 100 Graduations	1
91	2016	C86	Dial Lock Nut	1
92	4013	C85	Gearshift Clutch Insert	1
93	4002	C84	Elevating Crank	1
94	4017-1		Washer	1
95	4017-2		Hex Nut	1
96	4003	C83	Handle	1
97	4009	C89	Socket Head Cap Screw M6X16	3
98	2035	C23-1	Plug	2
99	2001-50	C23	Table 50"	1
	2001-54	C23-54	Table 54"	1
100	2031	C31	Stop Piece T-Bolt	2

# 3VKH Basic Machine

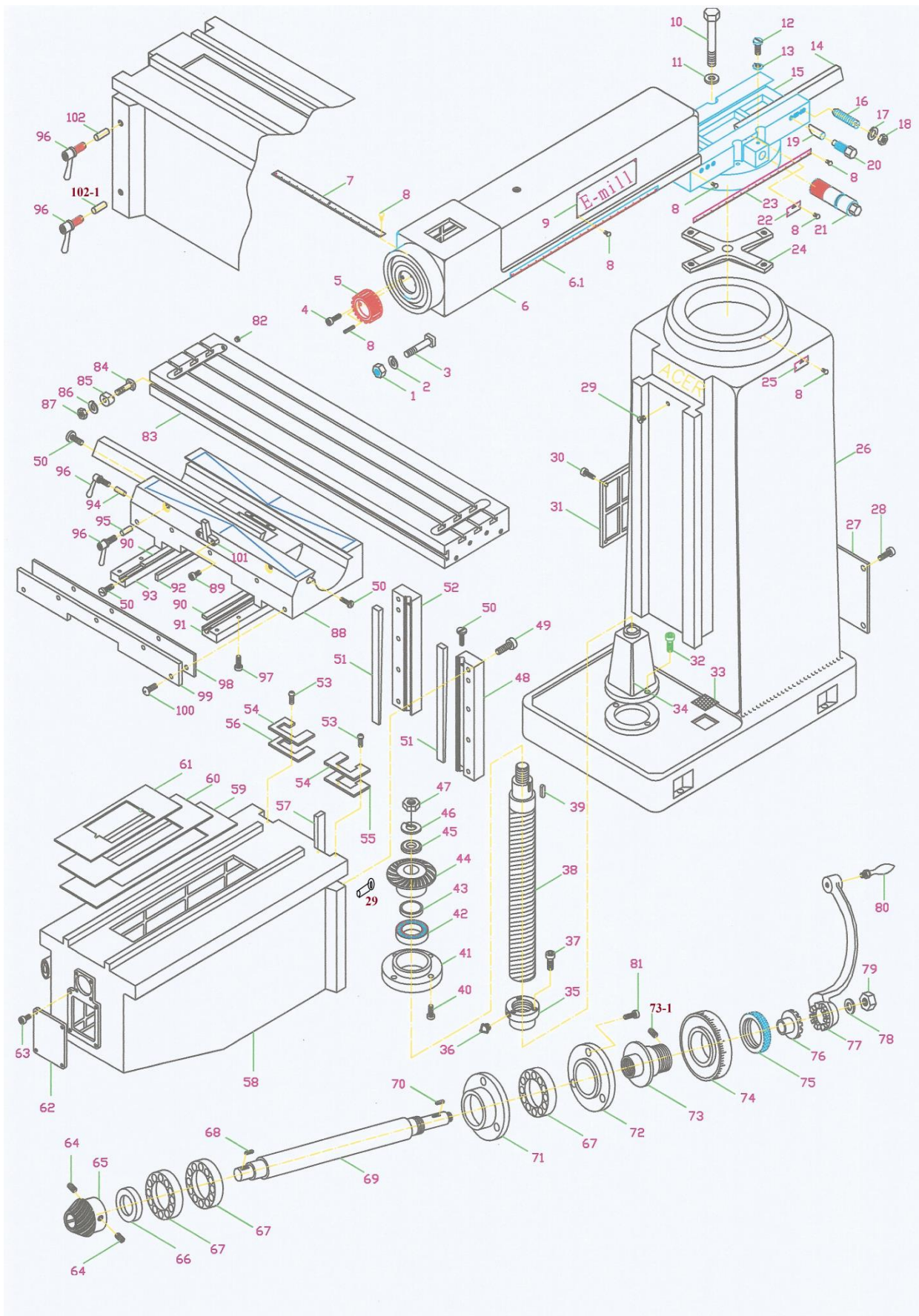


### 3VKH Basic Machine

ITEM NO.	PARTS NO.	FACTORY NO.	DESCRIPTION	QT'Y
101	2030	C32	Table Stop Bracket Piece	2
102	2031-1		Spring Washer	2
103	2032	C33	Hex Nut 3/8	2
104	4H-3001		Saddle	1
105	3036	C40	Socket HD Cap Screw 8X12mm	2
106	4H-3027-1		Saddle / Knee Gib	2
107	4H-3050		Saddle/Table Gib Support-Right	1
108	4H-3027		Saddle / Knee Gib	1
109	4H-3050-1		Saddle/Table Gib Support-Left	1
110	4H-3032	C39	Saddle Lock Plunger	1
110-1	4H-3032-1	C39	Saddle Lock Plunger	1
111	H-3029	C46	Table Lock Plunger 20L	1
111-1	H-3029-1	C46	Table Lock Plunger 25L	1
112	3031	C37	Table Lock Bolt Handle	6
112-1	3030	C38	Saddle Lock Bolt	6
113	4H-3052		Socket Head Cap Screw	8
114	4H-3037	C44H	Felt Wipers	2
115	4H-3037-1	C50H	Saddle Knee Wiper Holder	2
116	3038		Round HD + Screw 5x16mm	10
117	3035	C42	Table Stop Bracket	1
118	4H-4043	C46	Knee Lock Plunger	1
118-1	4H-4044	C46	Knee Lock Plunger	1



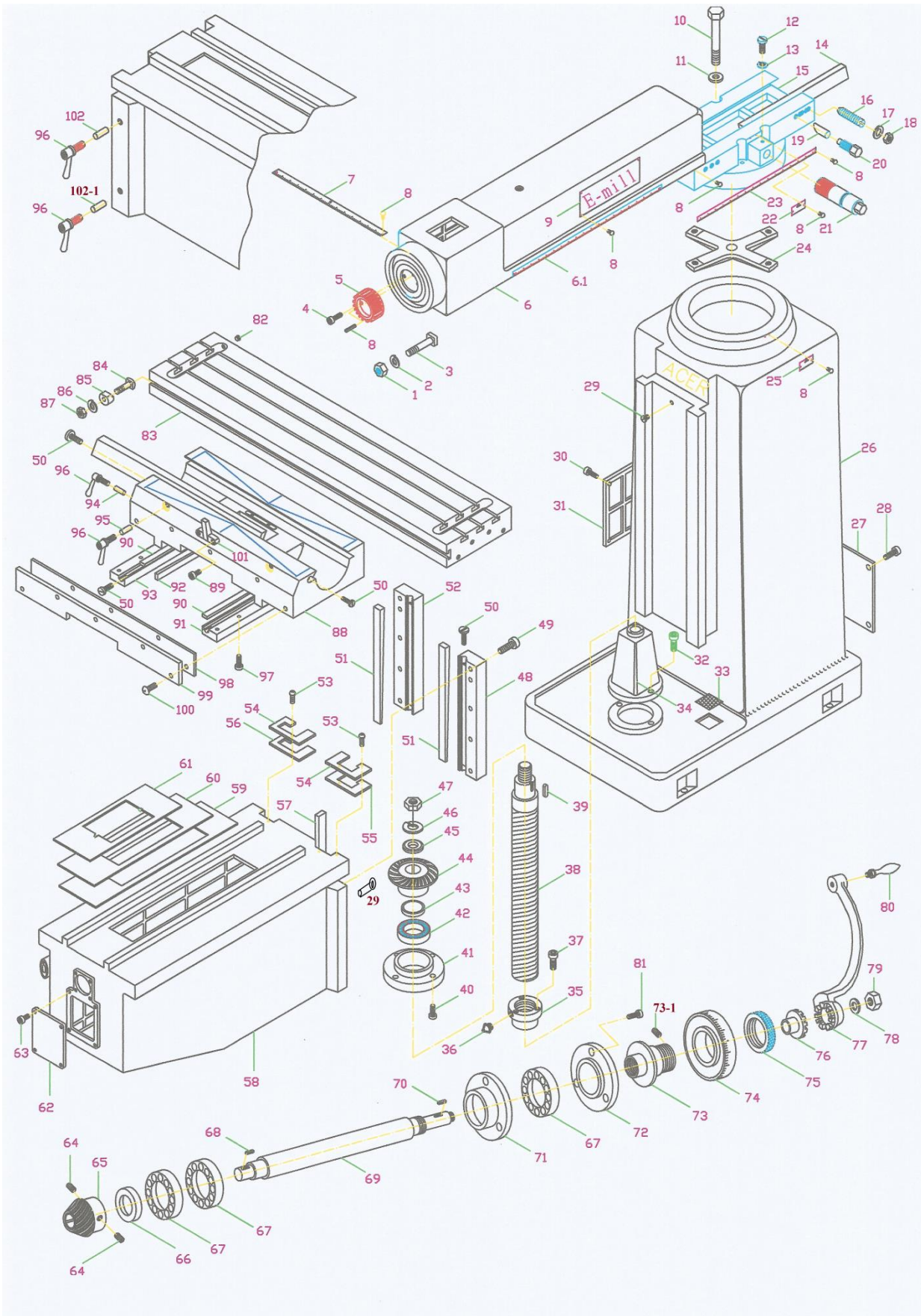
# 8-12. 5VK Basic Machine



## 5VK Basic Machine

ITEM NO.	PART NO.	FACTORY NO.	DESCRIPTION	QTY
1	5K-5038	A070L	Lock Nut	4
2	5K-5037		Spring Washer	4
3	5K-5036	A071L	T Bolt Assembly	4
4	5K-5035	C13	Socket Cap Screw M8X35	2
5	5K-5033	C01	Quill Housing ADJ.Gear	1
6	5K-5018		Ram	1
7	5K-5016		Ram Adapter Plate	1
8	5032	C16	Round HD Drive Screw	15
9	5018-2		Series Name Plate	2
10	5K-5004		Turret Locking Bolt	4
11	5K-5005		Chamfered x Hardened Washer 5/8"	4
12	5K-5015	C128	Ram Pinion Screw	1
13	5015-1		Washer	1
14	5K-5002		Ram / Turret Gib	1
15	5K-5001	C52	Turret	1
16	H-5007-2	C110	Gib Screw	3
17	H-5008		Spring Washer	3
18	H-5007-1	C125	Gib Screw Nut 3/8	3
19	H-5006	C125	Ram Lock Plunger	2
20	H-5010	C108	Ram Lock Stud	2
21	5K-5012	C120	Ram Pinion	1
22	5031	C21	Plate	3
23	H-5044	C10-2	Ram Plate	1
24	5K-5003		Spider	1
25	5031	C21	Plate	2
26	4H-1001	C98	Column	1
27	1001-6		Column Back Cover	1
28	1001-7		Round HD + Screw 5x8mm	4
29	1001-2	C45	Stop Screw	2
30	H-1003	C29	Socket Head Cap Screw 6X16	4
31	H-1002	C28	Column Cover	1
32	4027	C102	Socket Head Cap Screw M10X35	2
33	1004	C130-1	Filter	2
34	4026	C103	Pedestal	1

# 5VK Basic Machine

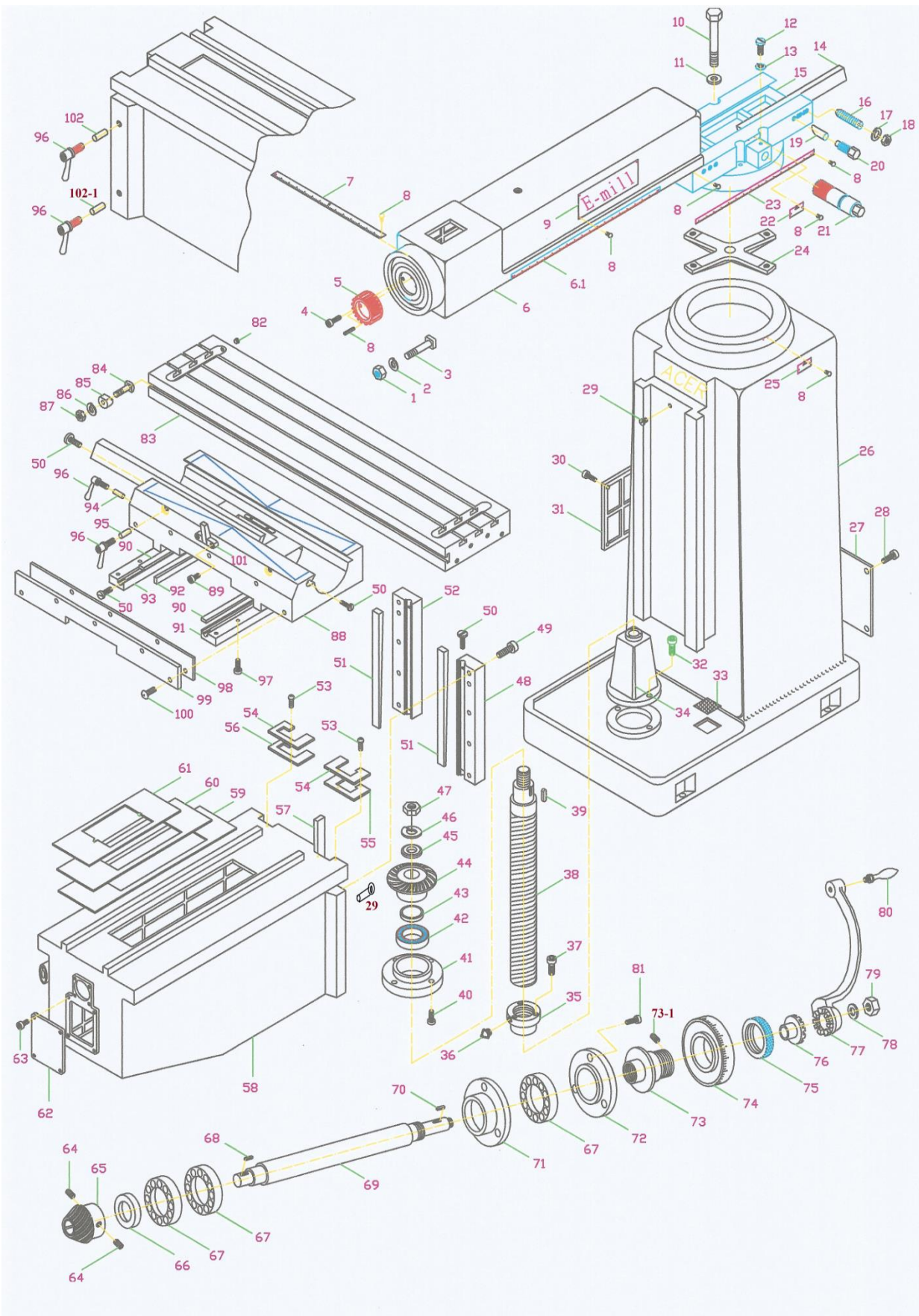




## 5VK Basic Machine

ITEM NO.	PART NO.	FACTOTRY NO.	DESCRIPTION	QT'Y
35	4024	C104	Elevating Screw Nut	1
36	4024-1	C106	Grease Nipple	1
37	4025	C105	Socket Head Cap Screw 6X16	3
38	4021	C82	Elevating Screw Assembly	1
39	4020	C75	Key 5X5X20	1
40	4041	C81	Socket Head Cap Screw 8X20	3
41	8039	C80	Bearing Retainer Ring	1
42	4040	C79	Sealed Ball Bearing 5305	1
43	4022-1		Washer	1
44	4019	C77	Bevel Gear	1
45	4022		Washer	1
46	4022-2		Spring Washer	1
47	4023	C74	Jam Nut 1/2NF	1
48	4H-4051		Knee/Column Gib Support	1
49	4H-4052		Socket Head Cap Screw	10
50	3028	C41	Gib Adjusting Screw	6
51	4H-4053		Knee/Column Gib	2
52	4H-4050		Knee/Column Gib Support	1
53	3038		Oval Head Screw	8
54	4H-4028-2	C53H	Wiper Holder	1
55	4H-4028	C54H	Right Knee Wiper Felt	1
56	4H-4028-1	C58H	Left Knee Wiper Felt	1
57	4H-4038		Knee/Column Gib	1
58	4H-4001		Knee 18"	1
59	4H-3039	C60-627	Chip Guards Plate Lower	1
60	3039	C60-490	Chip Guards Plate Middle	1
61	3040	C60-370	Chip Guards Plate Upper	1
62	3B-1005		Knee Cover	1
63	3B-1005-1		Socket Head Cap Screw	4
64	4014-1		Set Screw 6X8	2
65	4014	C96	Bevel Pinion Gear	1
66	4013-1		Washer	1
67	2008	D8	Grease Sealed Bearing 6204	3
68	4015	C93	Key 3x3x18	1
69	4017	C94	Elevating Shaft for 12" knee	1

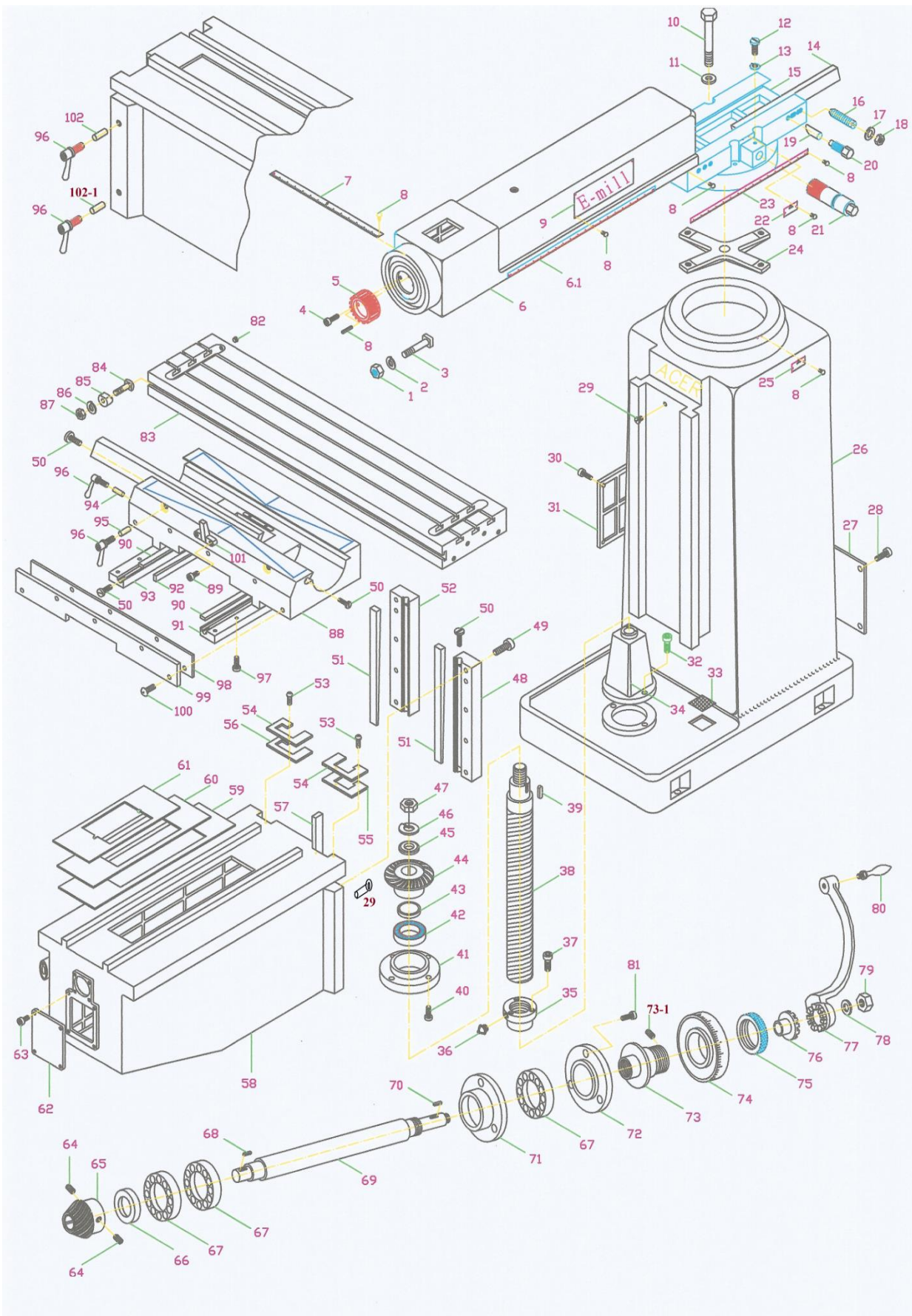
# 5VK Basic Machine



## 5VK Basic Machine

ITEM NO.	PART NO.	FACTORY NO.	DESCRIPTION	QTY
70	4015	C93	Key 3x3x18	1
71	4006	C92	Bearing Cap	1
72	2011	C90	Bearing Retaining Ring	1
73	4011	C88	Dial Holder	1
73-1	4011-1		Set Screw	1
74	4010	C87	Dial With 100 Graduations	1
75	2016	C86	Dial Lock Nut	1
76	4013	C85	Gearshift Clutch Insert	1
77	4002	C84	Elevating Crank	1
78	4017-1		Washer	1
79	4017-2		Hex Nut	1
80	4003	C83	Handle	1
81	4009	C89	Socket Head Cap Screw M6X16	3
82	2035	C23-1	Plug	2
83	2001-50	C23	Table 50"	1
83-1	2001-54	C23-54	Table 54"	1
84	2031	C31	Stop Piece T-Bolt	2
85	2030	C32	Table Stop Bracket Piece	2
86	2031-1		Spring Washer	2
87	2032	C33	Hex Nut 3/8	2
88	4H-3001		Saddle	1
89	3036	C40	Socket HD Cap Screw 8X12mm	2
90	4H-3027-1		Saddle / Knee Gib	2
91	4H-3050		Saddle/Table Gib Support-Right	1
92	4H-3027		Saddle / Knee Gib	1
93	4H-3050-1		Saddle/Table Gib Support-Left	1
94	4H-3032	C39	Saddle Lock Plunger	1
94-1	4H-3032-1	C39	Saddle Lock Plunger	1
95	H-3029	C46	Table Lock Plunger 20L	1
95-1	H-3029-1	C46	Table Lock Plunger 25L	1
96	3031	C37	Table Lock Bolt Handle	6
96-1	3030	C38	Saddle Lock Bolt	6
97	4H-3052		Socket Head Cap Screw	8
98	4H-3037	C44H	Felt Wipers	2
99	4H-3037-1	C50H	Saddle Knee Wiper Holder	2

# 5VK Basic Machine

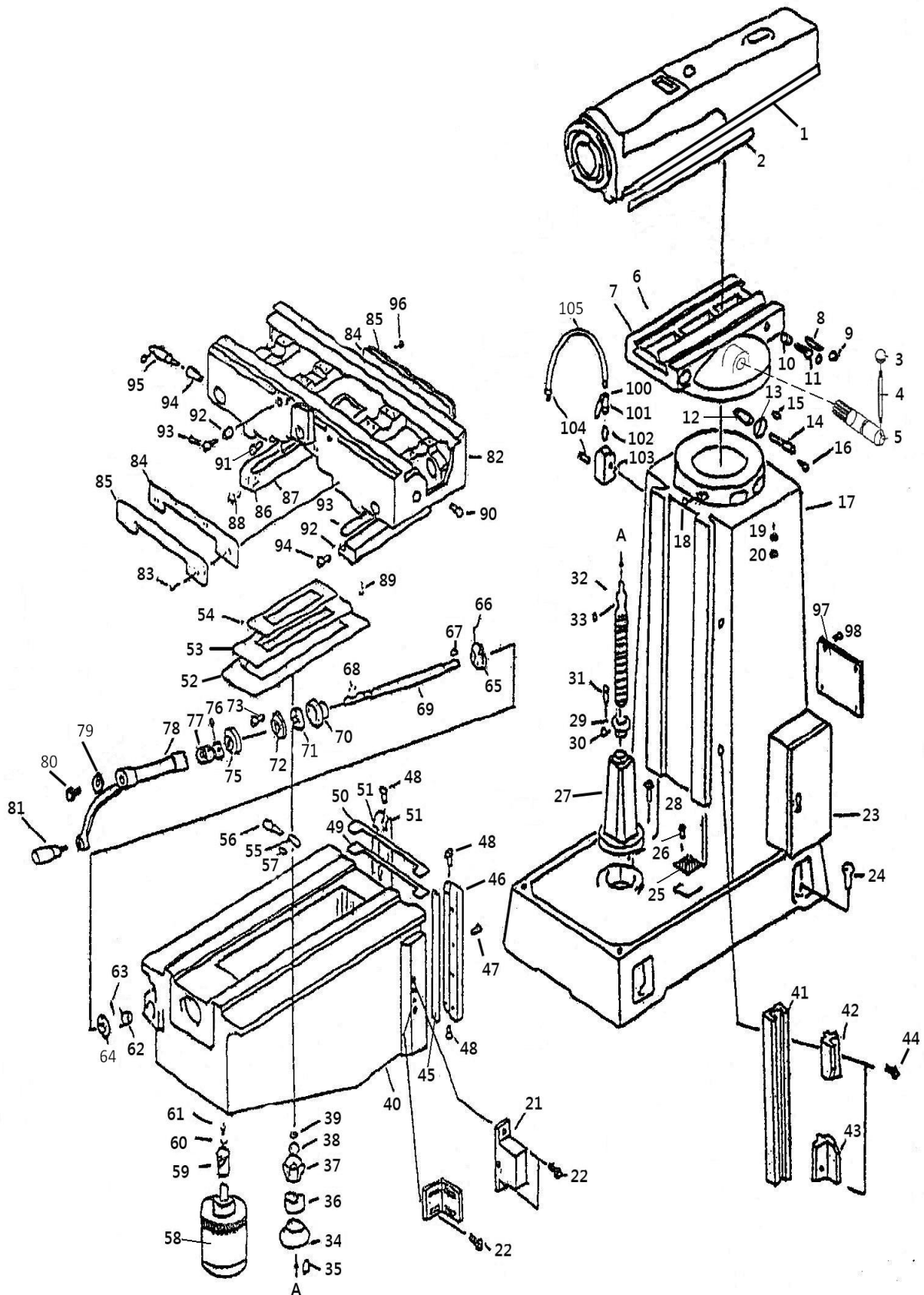


**5VK Basic Machine**

<b>ITEM NO.</b>	<b>PART NO.</b>	<b>FACTOTRY NO.</b>	<b>DESCRIPTION</b>	<b>QT'Y</b>
100	3038		Round HD + Screw 5x16mm	10
101	3035	C42	Table Stop Bracket	1
102	4H-4043	C46	Knee Lock Plunger	1
102-1	4H-4044	C46	Knee Lock Plunger	1



# 8-13. 6VK Basic Machine

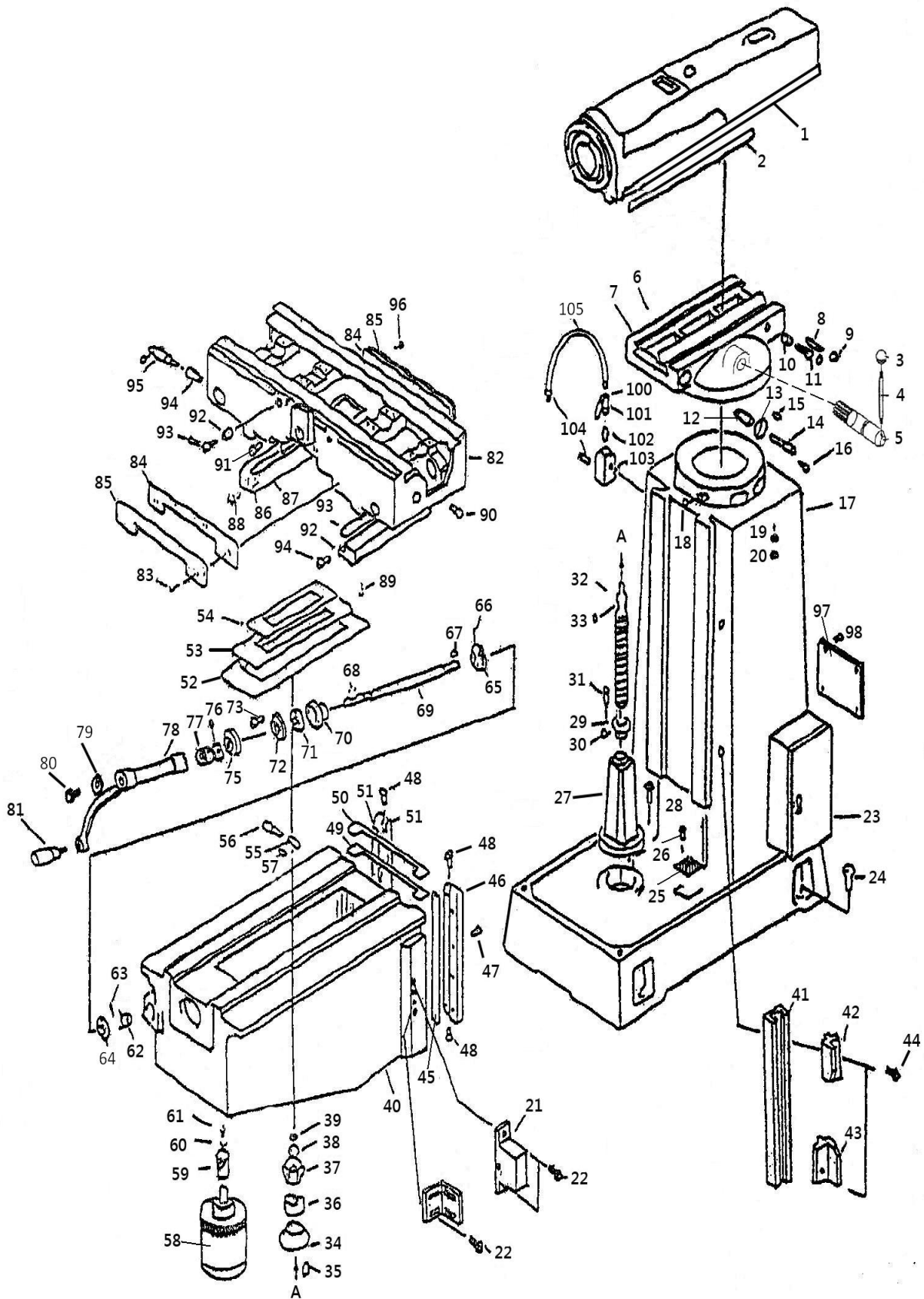




## 6VK Basic Machine

ITEM NO	PART NO.	FACT. NO.	DESCRIPTION	QTY
1	6K-5018	HD-004	RAM	1
2	6K-5044		RAM PLATE	1
3	6K-5014		PLASTIC BALL	1
4	6K-5013		RAM PINION HANDLE	1
5	6K-5012		RAM PINION	1
6	6K-5002	HD-036	RAM/TURRET GIB	1
7	6K-5001	HD-043	TURRET	1
8	6K-5007		GIB LOCK SCREW	2
9	6K-5007-1		GIB LOCK SCREW NUT	2
10	6K-5006		RAM LOCK PLUNGER	2
11	6K-5010		RAM LOCK SCREW	2
12	6K-5012-1		ROM PINION GEAR	1
13	6K-5012-2		GEAR CAP	1
14	6K-5012-3		GEAR SHAFT	1
15	6K-5012-4		KEY	1
16	6K-5012-5		CAP SCREW	3
17	6K-1001	HC-024	COLUMN	1
18	6K-1001-2		STOP SCREW	2
19	6K-1001-3		WASHER	4
20	6K-1001-4		NUT	4
21	6K-4001-1		CONNECTION BOX	1
22	6K-4001-2		SCREW	2
23	6K-9600-1		ELECTRICAL BOX	1
24	6K-1001-5		LEVELING SCREW	4
25	6K-1004	HD-031	FILTER	2
26	6K-1004-1		SCREW	4
27	6K-4026	HE-029	PEDESTAL	1
28	6K-4027		SOCKET HEAD CAP SCREW	2
29	6K-4024	HE-028A	ELEVATING SCREW NUT	1
30	6K-4024-1		GREASE NIPPLE	1
31	6K-4025		SOCKET HEAD CAP SCREW	3
32	6K-4021	HC-014	ELEVATING SCREW ASSEMBLY	1
33	6K-4020		KEY	1
34	6K-8039	HE-026	BEARING RETAINER RING	1
35	6K-8039-1		SOCKET HEAD CAP SCREW	3

# 6VK Basic Machine



## 6VK Basic Machine

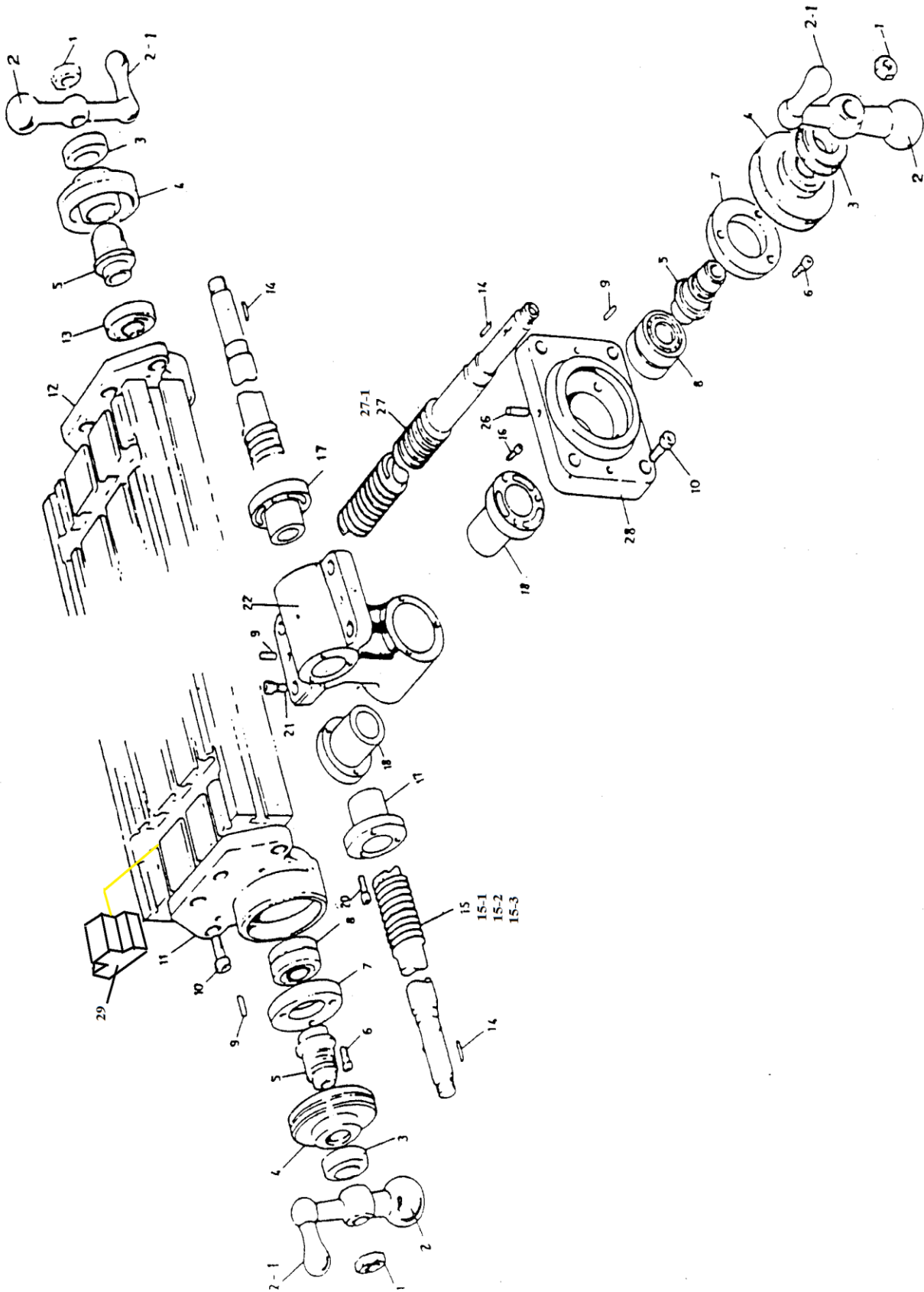
ITEM NO	PART NO.	FACT. NO.	DESCRIPTION	QTY
36	6K-4040		BEARING	1
37	6K-4019	HE-024	BEVEL GEAR	1
38	6K-4019-1	HC-011	WASHER	1
39	6K-4023		JAM NUT	1
40	6K-4001	HE-066	KNEE	1
41	6K-1001-6		LIMIT STOP BRACKET	1
42	6K-1001-7		STOP BLOCK	1
43	6K-1001-8		STOP BLOCK	1
44	6K-1001-9		CAP SCREW	2
45	6K-4053		KNEE/COLUMN GIB	2
46	6K-4051		KNEE/COLUMN GIB SUPPORT	1
47	6K-4052		SOCKET HEAD CAP SCREW	8
48	6K-3028		GIB ADJ. SCREW	4
49	6K-4028-1	HC-021	KNEE WIPER FELT	1
50	6K-4028-2		WIPER HOLDER	1
51	6K-4050		KNEE/COLUMN GIB SUPPORT	1
52	6K-3039		CHIP GUARDS	1
53	6K-3039-1		CHIP GUARDS	1
54	6K-3040		CHIP GUARDS	1
55	6K-3032	HC-015	SADDLE LOCK PLUNGER	2
56	6K-3030		SADDLE LOCK BOLT	2
57	6K-3030-1		SCREW	2
58	6K4001-1		ELEVATION MOTOR	1
59	6K4001-2		WORM	1
60	6K4001-3		BUSHING	1
61	6K4001-4		CAP SCREW	1
62	6K-4014	HE-015	BEVEL GEAR	1
63	6K-4014-1		SET SCREW	1
64	6K-4007		BEARING	1
65	6K-4014-1		WORM GEAR	1
66	6K-4014-2		SET SCREW	1
67	6K-4017-1		KEY	1
68	6K-4017-2		KEY	1
69	6K-4017	HE-017	ELEVATING SHAFT	1
70	6K-4006	HE-016	BEARING CAP	1
71	6K-4007		BEARING	1



## 6VK Basic Machine

ITEM NO	PART NO.	FACT. NO.	DESCRIPTION	QTY
72	6K-2011	HE-015	BEARING RETAINER RING	1
73	6K-4009		SOCKET HEAD CAP SCREW	3
74	6K-4011	HE-018	DIAL HOLDER	1
75	6K-4010	HE-019	DIAL WITH 100 GRADUATIONS	1
76	6K-4011-1		SET SCRW	1
77	6K-4013	HE-020	GEAR SHAFT CLUTCH INSERT	1
78	6K-4002	HE-021	ELEVATING CRANK	1
79	6K-4004		WASHER	1
80	6K-4005		SOCKET HEAD CAP SCREW	1
81	6K-4003	HC-053	HANDLE	1
82	6K-3001	HC-017	SADDLE	4
83	6K-3038		CAP SCREW	2
84	6K-3037		FELT WIPER	2
85	6K-3037-1		SADDLE KNEE WIPER HOLDER	2
86	6K-3027-1		GIB	2
87	6K-3050		SADDLE GIB SUPPORT	4
88	6K-3028		GIB ADJ. SCREW	6
89	6K-3052		SOCKET HEAD CAP SCREW	8
90	6K-3028		GIB ADJ. SCREW	2
91	6K-3028		GIB ADJ. SCREW	2
92	6K-3029	HC-014	TABLE LOCK PLUNGER	2
93	6K-3030	HA-125	TABLE LOCK BOLT & HANDLE	2
94	6K-3032	HC-015	SADDLE LOCK PLUNGER	2
95	6K-3031		SADDLE LOCK BOLT & HANDLE	2
96	6K-3038		CAP SCREW	4
97	6K-1002		COLUMN COVER	1
98	6K-1003		CAP SCREW	4
99	6K-3035		TABLE STOP BRACKET	1
100	6K-6100		COOLANT VALVE	1
101	6K-6101		VALVE ADAPTOR	1
102	6K-6102	HD-039	TAP BRACKET	1
103	6K-6103		COOLANT ADAPTOR	1
104	6K-6103-1		SOCKET HEAD CAP SCREW	2
105	6K-6105	AD-036	COOLANT NOZZLE	1

8-14. 3VS, 3VSII, 3VK, 3VKH & 5VK Leadscrew Assembly

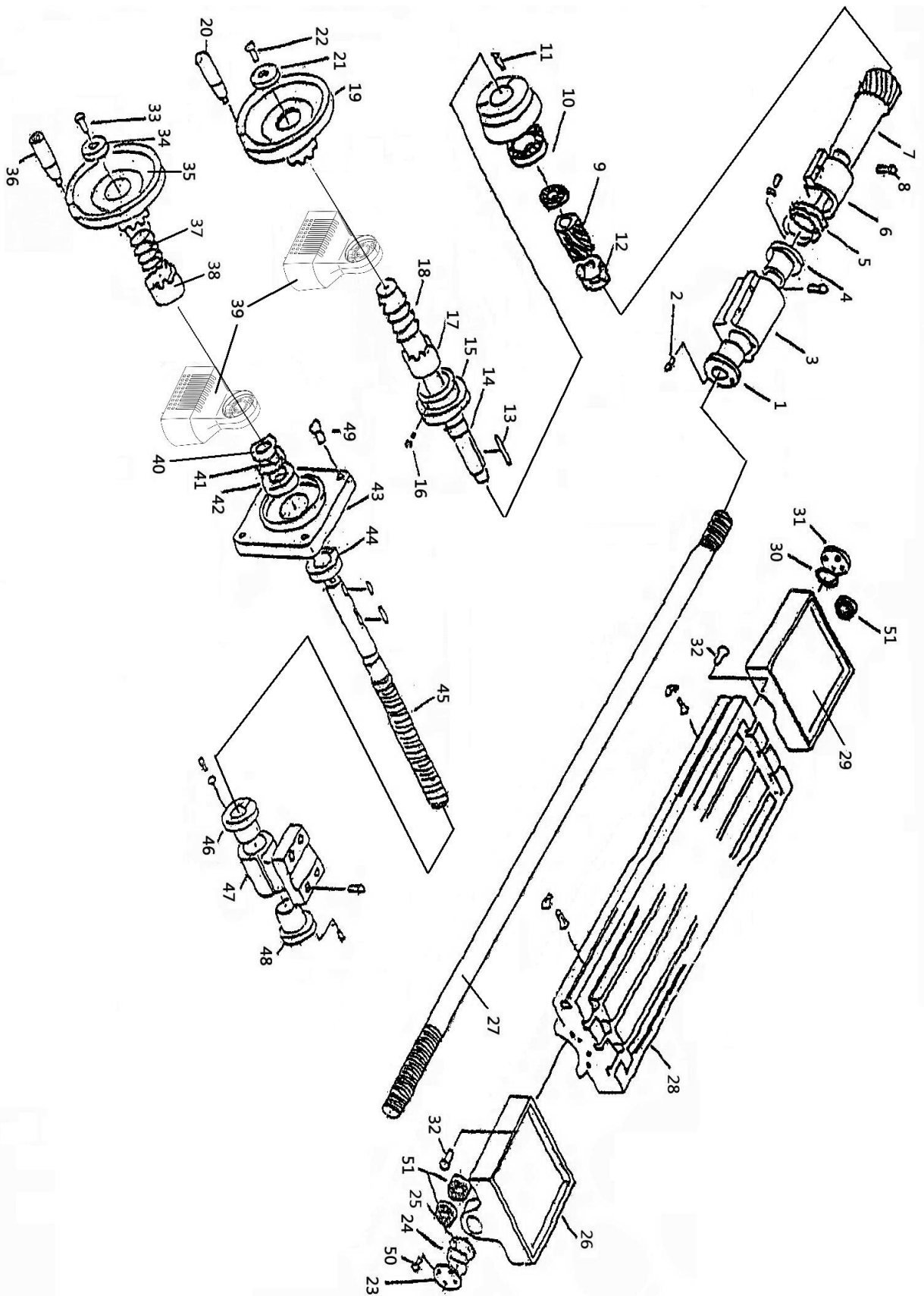




### 3VS, 3VSII, 3VK, 3VKH & 5VK Leadscrew Assembly

ITEM NO.	PART NO.	FACTORY NO.	DESCRIPTION	QT'Y
1	2004		Jam Nut 1/2NF	3
2	2018	D26	Ball Crank Handle	3
2-1	2018-1	C83	Ball Crank Handle Grip	3
3	2016	D3	Dial Lock Nut	3
4	2012	D4-2	Dial with 200 Graduation	3
5	2014	D5	Dial Holder	3
6	2036		Socket HD Cap Screw	9
7	2011	C90	Bearing Retaining Ring	2
8	2008		Grease Sealed Ball Bearing 6024	2
10	2026		Socket HD Cap Screw	12
11	2006	D11	Left Bearing Bracket	1
12	2006	D12	Right Bearing Bracket	1
13	2008		Grease Sealed Ball Bearing 6024	1
14	2003		Key	3
15	2002	D15	Longitudinal Feed Screw 42"	1
15-1	2002	D15	Longitudinal Feed Screw 49"	1
15-2	2002	D15	Longitudinal Feed Screw 50"	1
15-3	2002	D15	Longitudinal Feed Screw 54"	1
16	3021		Socket HD Cap Screw	5
17	3020-1		Long Feed Nut (One Set)	1
18	3020-2		Cross Feed Nut (One Set)	1
20	3021		Fixed Socket Screw	5
21	3024	D22	Socket HD Cap Screw	4
22	3025		Feed Nut Bracket	1
26	3005-1		Stop Screw	1
27	3002		Cross Feed Screw for 12" Knee	1
27-1	3002		Cross Feed Screw for 16" Knee	1
28	3005	D28	Cross Feed Bearing Bracket	1
29	2001	D29	Table Rubber Stop for Table	6

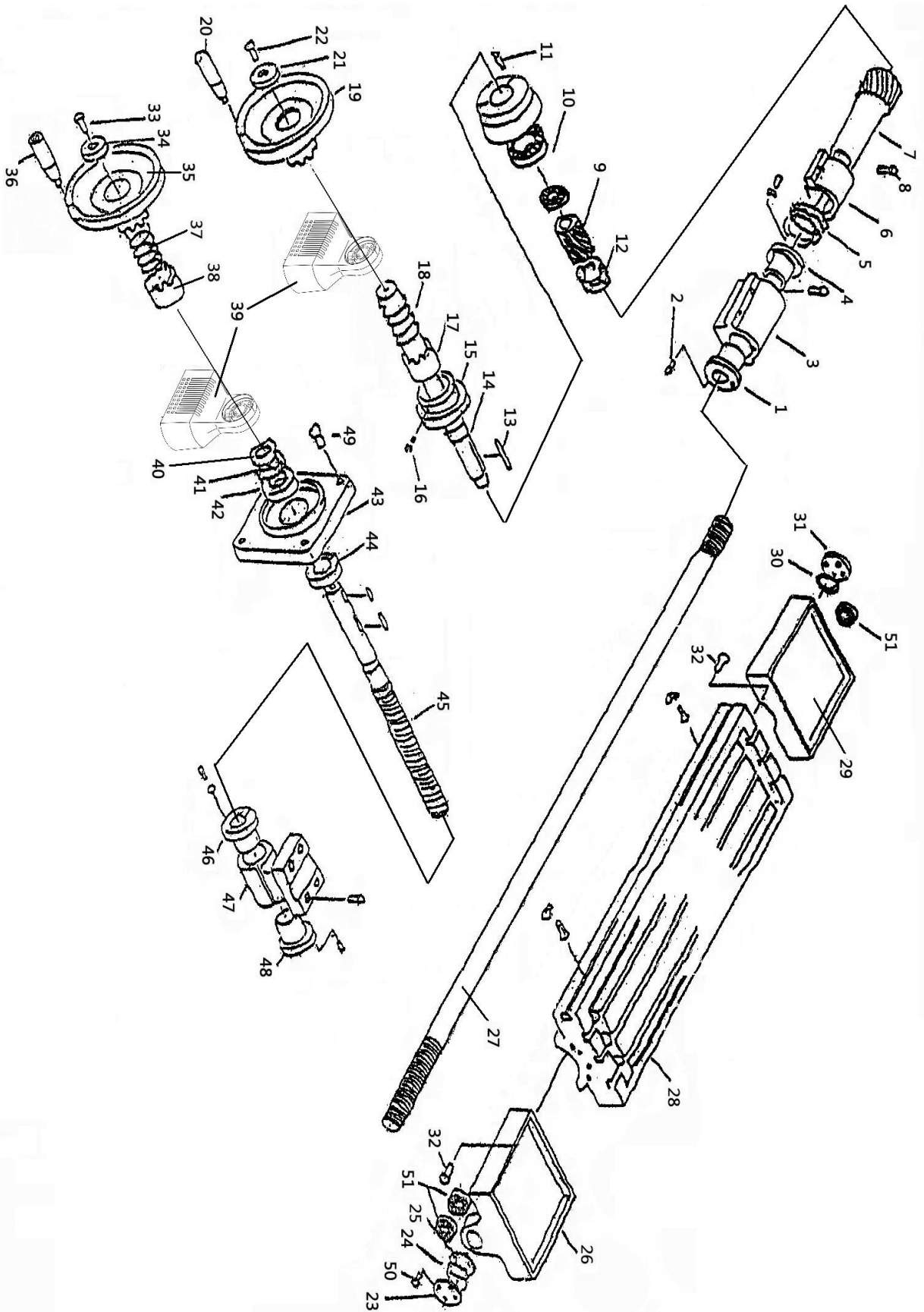
# 8-15. 6VK Leadscrew Assembly



## 6VK Leadscrew Assembly

ITEM NO	PART NO.	FACT. NO.	DESCRIPTION	QTY
1	6K-3020-1		RIGHT LONG FEED NUT	1
2	6K-3041		CAP SCREW	3
3	6K-3025-X		GEAR BRACKET	1
4	6K-3020-2		LEFT LONG FEED NUT	1
5	6K-3020-1		LOCK WASHER	2
6	6K-6006		GEAR BRACKET	1
7	6K-6007		GEAR BUSHING	1
8	6K-6006-1		CAP SCREW	6
9	6K-6009		WORM GEAR	1
10	6K-2008		BALL BEARING	1
11	6K-2012-1		CAP SCREW	3
12	6K-6012		BEARING LOCKNUT	2
13	6K-6014-1		KEY	1
14	6K-6014		SHAFT	1
15	6K-2012		DIAL WITH 200 GRADUATIONS	1
16	6K-2012-2		SCREW	1
17	6K-2014		DIAL BUSHING	1
18	6K-6014-2		SPRING	1
19	6K-2610		HAND WHEEL	1
20	6K-2610-1		HANDLE	1
21	6K-2610-2		WASHER	1
22	6K-2610-3		CAP SCREW	1
23	6K-2002-1		SCREW COVER	1
24	6K-2016		LOCKNUT	1
25	6K-2016-1		LOCK WASHER	1
26	6K-2006-R		RIGHT SCREW BRACKET	1
27	6K-2002		LEADSCREW SHAFT	1
28	6K-2001		TABLE	1
29	6K-2006-L		LEFT SCREW BRACKET	1
30	6K-6030		SNAP RING	1
31	6K-2002-1		SCREW COVER	1
32	6K-2006-1		CAP SCREW	8
33	6K-2610-3		CAP SCREW	1
34	6K-2610-2		WASHER	1
35	6K-6210		HAND WHEEL	1

# 6VK Leadscrew Assembly



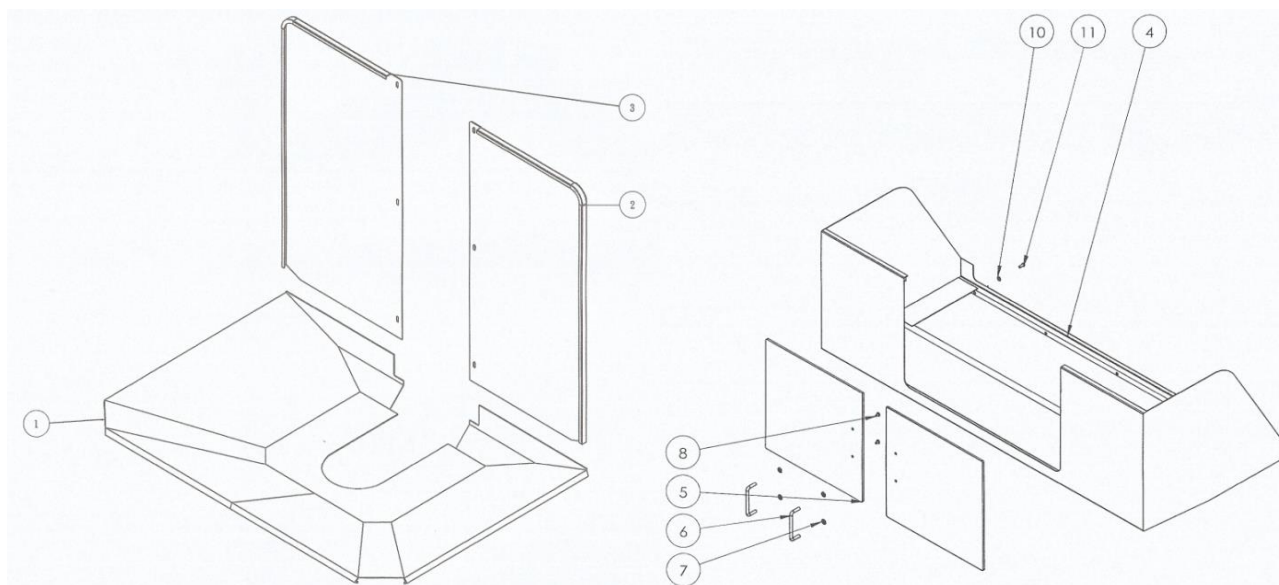
## 6VK Leadscrew Assembly

ITEM NO	PART NO.	FACT. NO.	DESCRIPTION	QTY
36	6K-6210-1		HANDLE	1
37	6K-6014-2		SPRING	1
38	6K-2014		DIAL BUSHING	1
39	6K-6039		POWER TABLE FEED	2
40	6K-2016		LOCKNUT	1
41	6K-2016-1		LOCK WASHER	1
42	6K-2008		BALL BEARING	1
43	6K-3005		CROSSFEED BEARING BRACKET	1
44	6K-2008		BALL BEARING	1
45	6K-3002		CROSSFEED LEADSCREW	1
46	6K-3020-3		FRONT CROSSFEED NUT	1
47	6K-3025-Y		SCREW BARCKET	1
48	6K-3020-4		BACK CROSSFEED NUT	1
49	6K-2026		SOCKET HEAD CAP SCREW	4
50	6K-2036		CAP SCREW	8
51	6K-2008		BEARING	3





## 8-17. Safety Accessories for All Models



ITEM NO.	PART NO.	DESCRIPTION	QT'Y
1	9753	Chip Pan for 3VS, 3VK	1
	9753-1	Chip Pan for 3VKH, 5VK	
2	9754	Column Guard-Right for 3VKH & 5VK	1
3	9755	Column Guard-Left for 3VKH & 5VK	1
4	ACU-F06A_1050	Table Guard for 50" Table	1
	ACU-F06A_1054	Table Guard for 54" Table	1
	ACU-F06A_942	Table Guard for 42" Table	1
	ACU-F06A_949	Table Guard for 49" Table	1
5	ACU-F08A_1050	PVC Door for 50" Table	2
	ACU-F08A_1054	PVC Door for 54" Table	2
	ACU-F08A_942	PVC Door for 42" Table	2
	ACU-F08A_949	PVC Door for 49" Table	2
6	A-42-C	Door Handle	2
7		Washer	4
8		Round HD + Cap Screw	4
10		Plain Washer 6mm	13
11		Round HD Cap Screw	13