



WALRUS[®]

MULTISTAGE CENTRIFUGAL PUMP

TPH 2/4/8/12/25/50T

60Hz



Walrus America Inc

ISO 9001 Certified





Applications:

The TPH Series are modernly designed with quiet and high efficient operation pumps, suitable for dependable water transfer, circulating or booster service.

- Industrial circulation system
- Washing/cleaning system
- Pressure boosting system
- Water/liquid transfer
- Agricultural irrigation
- air-conditioning

Motors:

The pump is coupled with a totally enclosed, fan-cooled, squirrel-cage motor.

Nominal speed: 3500 rpm at 60Hz

Standard voltages: 1 phase : 115 / 230V
3 phase : 230 / 460V

Protection class: IP54

Insulation class: F.

Pumps:

Horizontal multi-stage centrifugal pump, non self-priming, close coupled design, impellers mounted on extended motor shaft. All parts in contact with the pumped liquid are made of stainless steel.

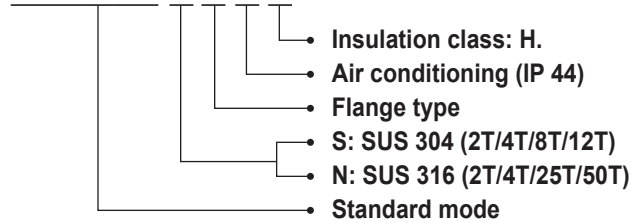
Standard mode

TPH 4T 2K



Code

TPH 4T 2K S F A H



Operating Limits:

Ambient temperature: Max. 104°F (40°C)

Liquid temperature range: 32°F (0°C) to 194°F (90°C)

Flow: 16 GPM to 360 GMP

Head: 20 ft to 260 ft

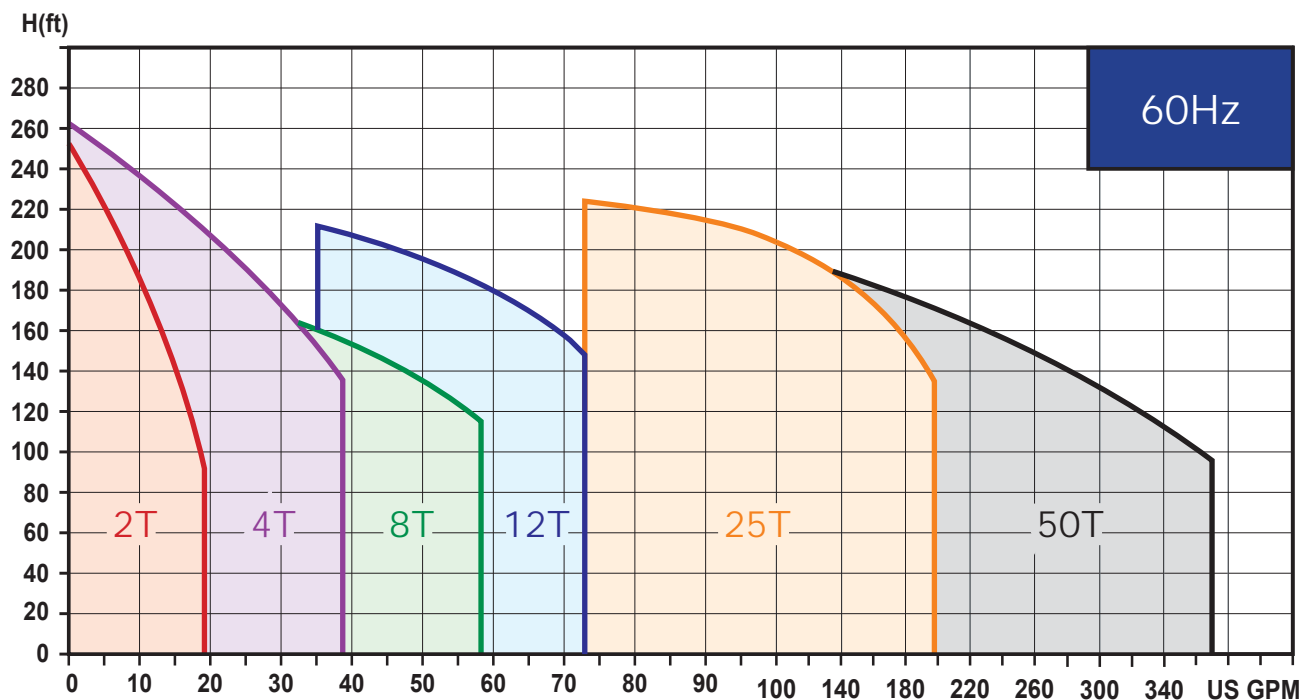
Operating pressure: Max. 142 psi

Inlet pressure: Max. 85 psi

Suitable liquids:

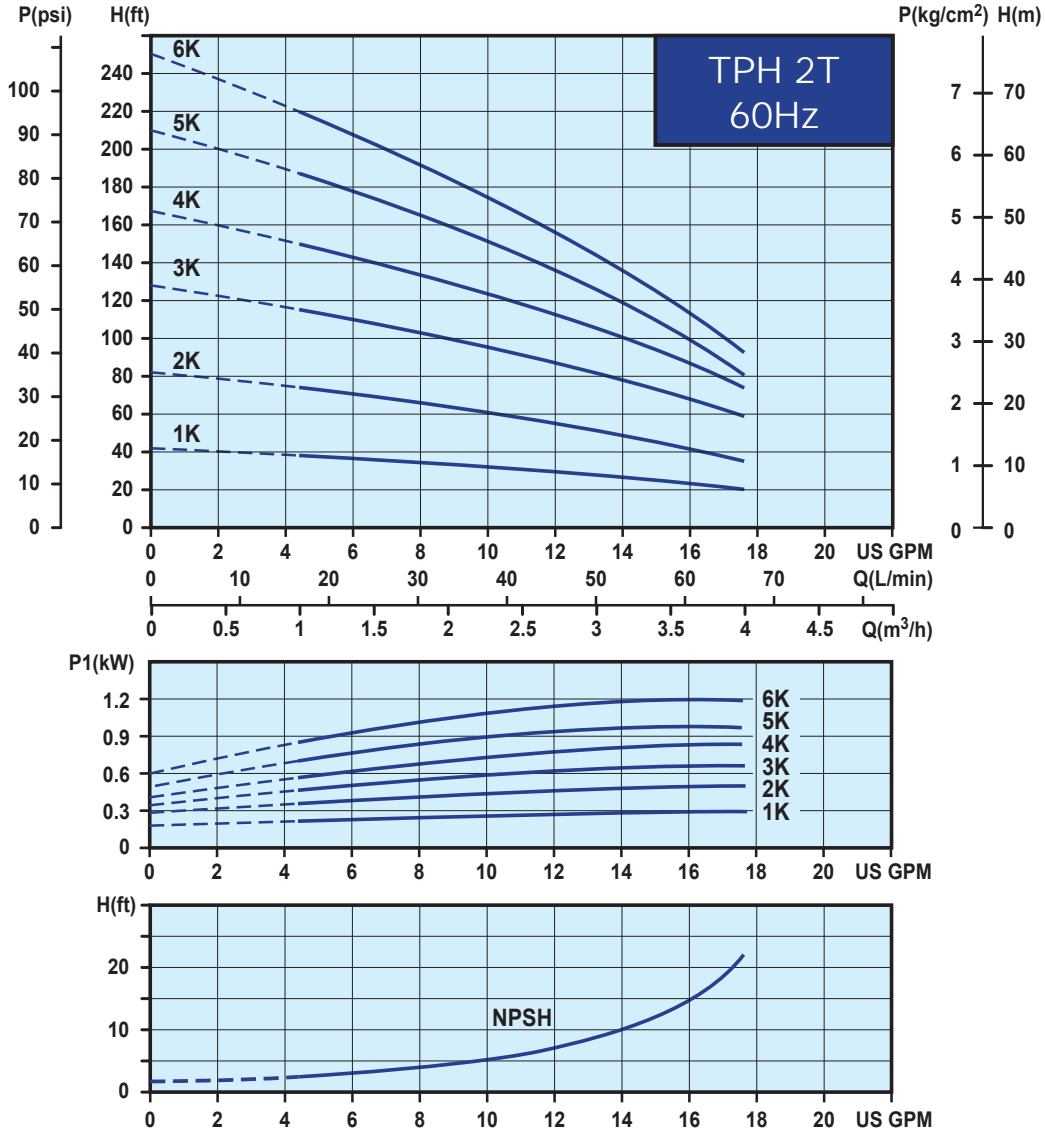
Clean or other non-corrosive liquids

Performance curves:





Performance curves

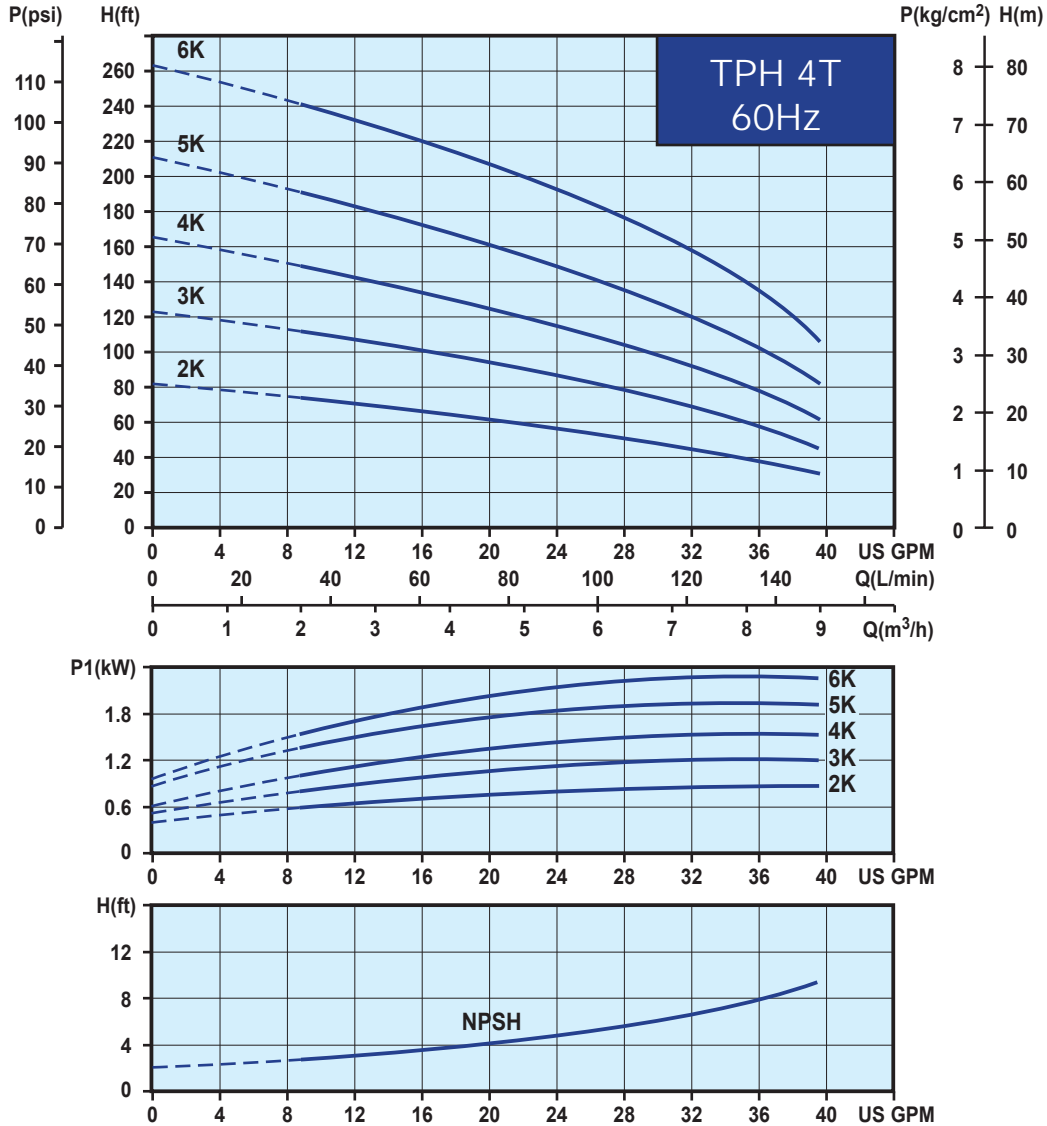


Electrical data, 60Hz, 3500rpm

| Model | Power (HP) | Phase (∅) | S.F. | Voltage (V) | Current (A) | Net Weight (lbs) |
|-----------|------------|-----------|------|-------------|-------------|------------------|
| TPH 2T 1K | ½ | 1∅ | 1.9 | 115 / 230 | 10.0 / 5.0 | 25.8 |
| | | 3∅ | 1.9 | 230 / 460 | 3.1 / 1.6 | |
| TPH 2T 2K | ½ | 1∅ | 1.9 | 115 / 230 | 10.0 / 5.0 | 26.0 |
| | | 3∅ | 1.9 | 230 / 460 | 3.1 / 1.6 | |
| TPH 2T 3K | ½ | 1∅ | 1.9 | 115 / 230 | 10.0 / 5.0 | 26.2 |
| | | 3∅ | 1.9 | 230 / 460 | 3.1 / 1.6 | |
| TPH 2T 4K | ½ | 1∅ | 1.9 | 115 / 230 | 10.0 / 5.0 | 26.5 |
| | | 3∅ | 1.9 | 230 / 460 | 3.1 / 1.6 | |
| TPH 2T 5K | ¾ | 1∅ | 1.9 | 115 / 230 | 14.8 / 7.4 | 29.8 |
| | | 3∅ | 1.9 | 230 / 460 | 4.2 / 2.1 | |
| TPH 2T 6K | ¾ | 1∅ | 1.9 | 115 / 230 | 14.8 / 7.4 | 30.0 |
| | | 3∅ | 1.9 | 230 / 460 | 4.2 / 2.1 | |



Performance curves

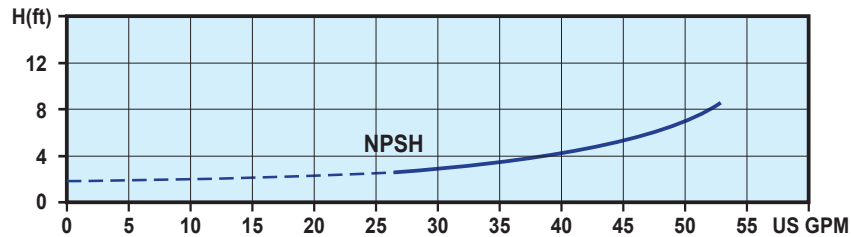
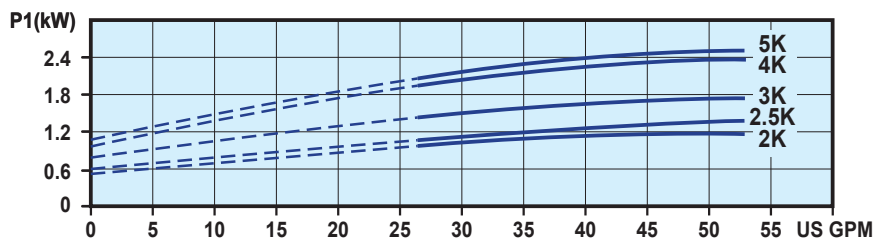
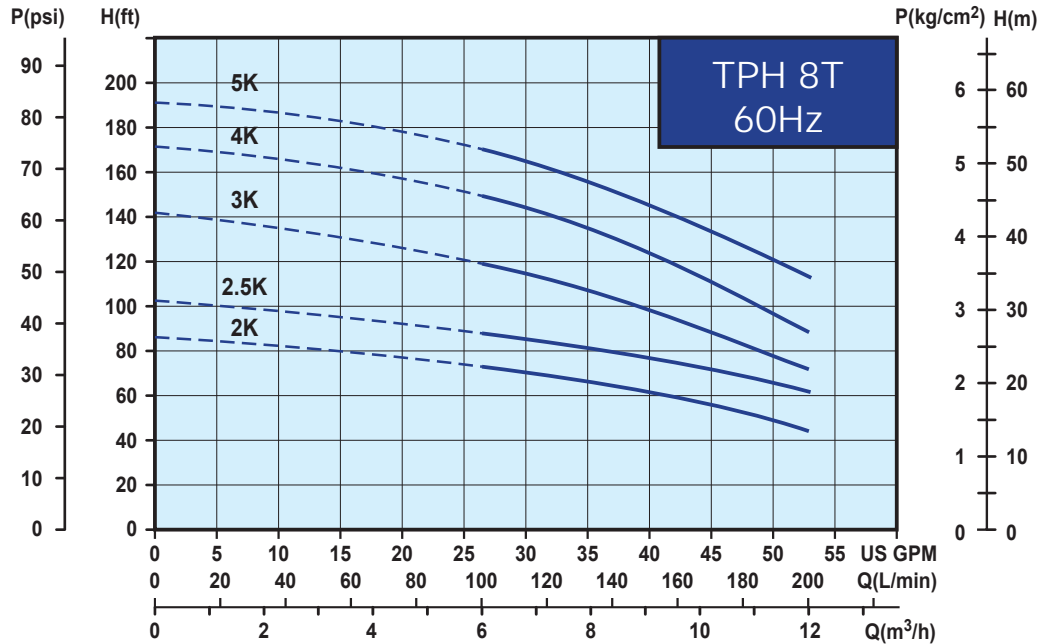


Electrical data, 60Hz, 3500rpm

| Model | Power (HP) | Phase (Ø) | S.F. | Voltage (V) | Current (A) | Net Weight (lbs) |
|-----------|------------|-----------|------|-------------|-------------|------------------|
| TPH 4T 2K | ½ | 1Ø | 1.9 | 115 / 230 | 10.0 / 5.0 | 25.8 |
| | | 3Ø | 1.9 | 230 / 460 | 3.1 / 1.6 | |
| TPH 4T 3K | ¾ | 1Ø | 1.9 | 115 / 230 | 14.8 / 7.4 | 29.3 |
| | | 3Ø | 1.9 | 230 / 460 | 4.2 / 2.1 | |
| TPH 4T 4K | 1 | 1Ø | 1.8 | 115 / 230 | 17.2 / 8.6 | 31.1 |
| | | 3Ø | 1.9 | 230 / 460 | 5.2 / 2.6 | |
| TPH 4T 5K | 1½ | 1Ø | 1.5 | 230 | 11.0 | 31.3 |
| | | 3Ø | 1.5 | 230 / 460 | 7.4/3.7 | |
| TPH 4T 6K | 2 | 3Ø | 1.9 | 230 / 460 | 11.6 / 5.8 | 35.5 |



Performance curves

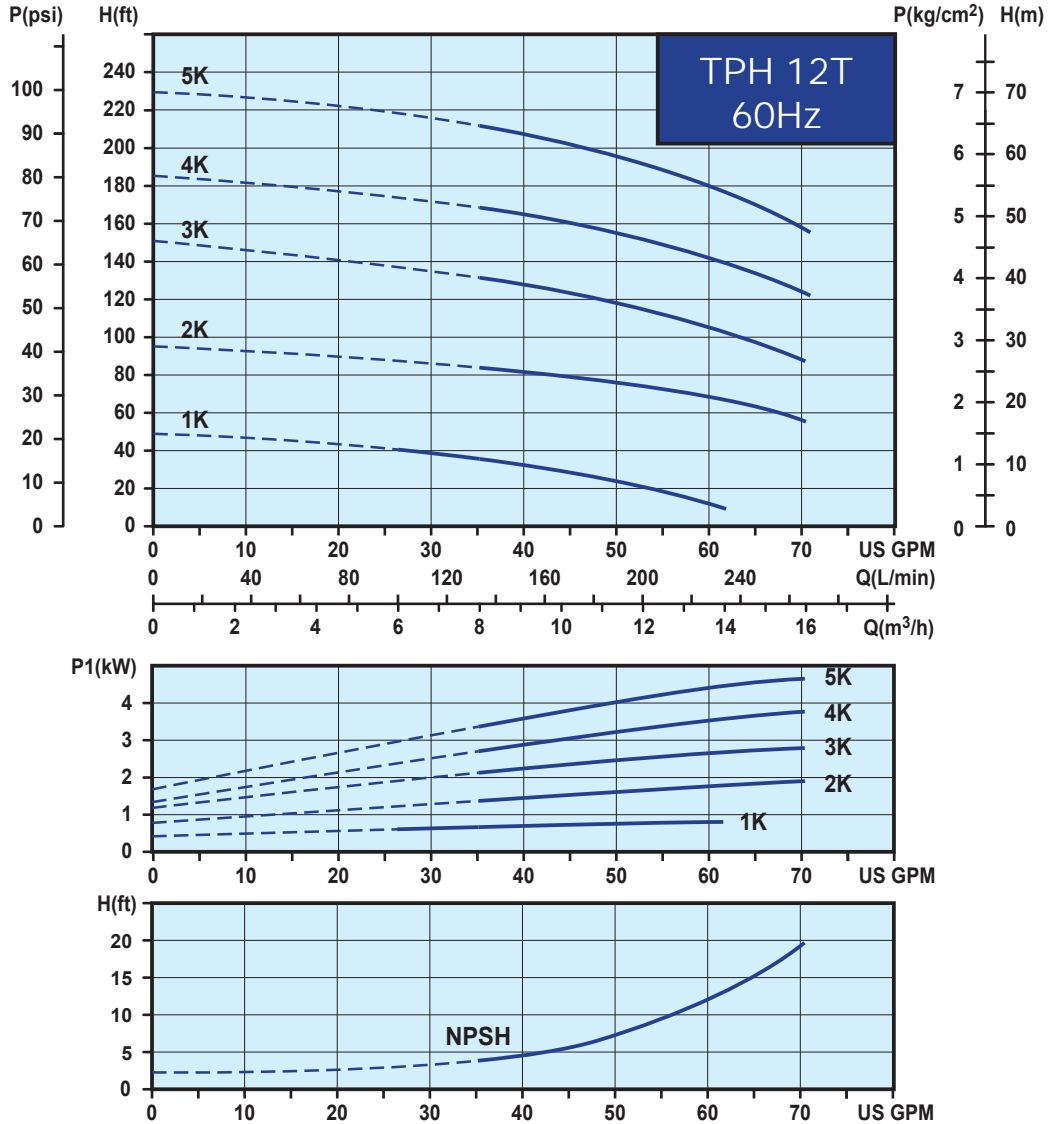


Electrical data, 60Hz, 3500rpm

| Model | Power (HP) | Phase (Ø) | S.F. | Voltage (V) | Current (A) | Net Weight (lbs) |
|-------------|------------|-----------|------|-------------|-------------|------------------|
| TPH 8T 2K | ¾ | 1Ø | 1.9 | 115 / 230 | 14.8 / 7.4 | 41.7 |
| | | 3Ø | 1.9 | 230 / 460 | 4.2 / 2.1 | |
| TPH 8T 2.5K | 1 | 1Ø | 1.8 | 115 / 230 | 17.2 / 8.6 | 43.0 |
| | | 3Ø | 1.9 | 230 / 460 | 5.2 / 2.6 | |
| TPH 8T 3K | 1½ | 1Ø | 1.5 | 230 | 11.0 | 48.5 |
| | | 3Ø | 1.5 | 230 / 460 | 7.4 / 3.7 | |
| TPH 8T 4K | 2 | 3Ø | 1.6 | 230 / 460 | 10.4 / 5.2 | 56.4 |
| TPH 8T 5K | 2 | 3Ø | 1.6 | 230 / 460 | 10.4 / 5.2 | 57.5 |



Performance curves

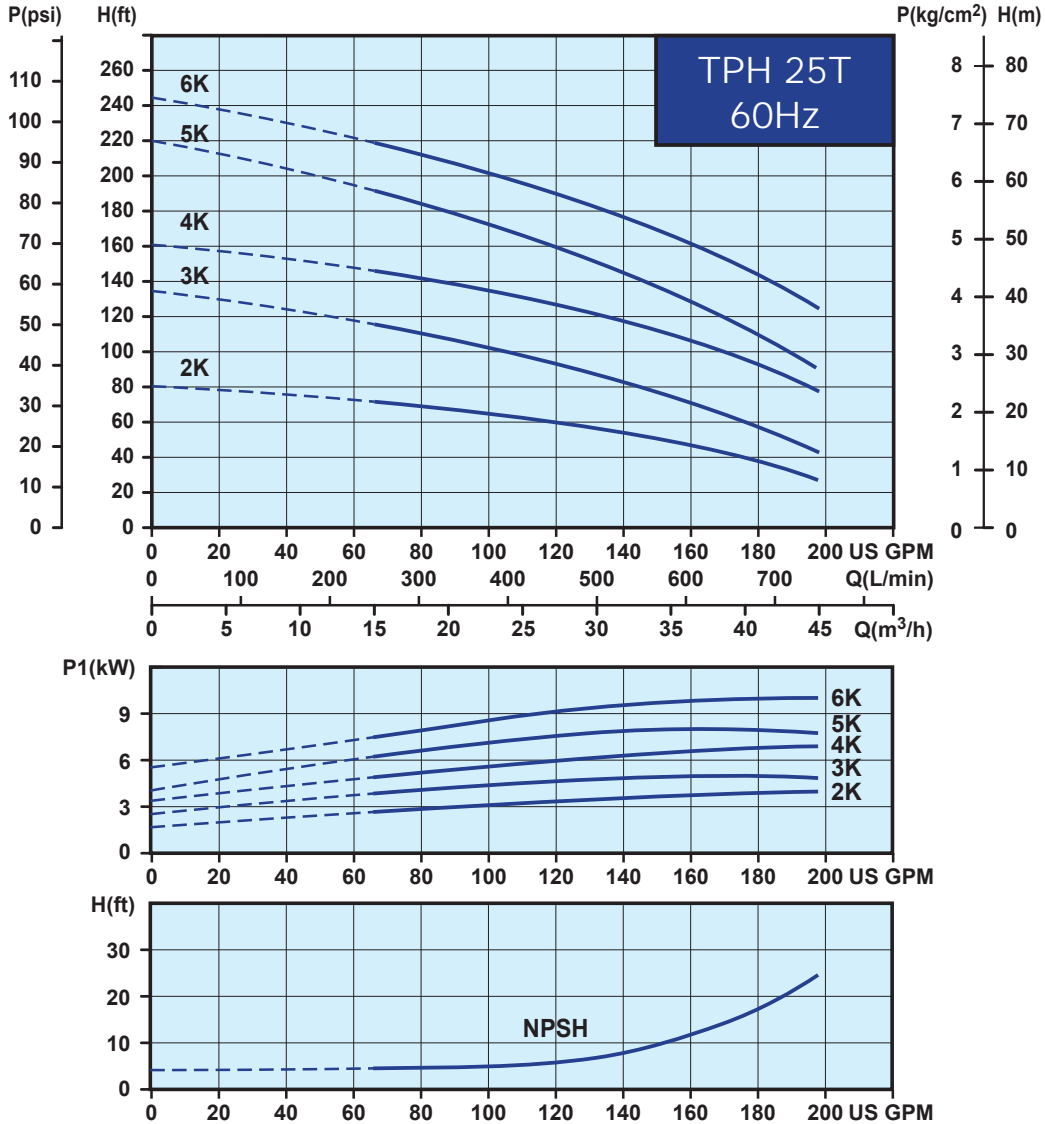


Electrical data, 60Hz, 3500rpm

| Model | Power (HP) | Phase (Ø) | S.F. | Voltage (V) | Current (A) | Net Weight (lbs) |
|------------|------------|-----------|------|-------------|-------------|------------------|
| TPH 12T 1K | ½ | 1Ø | 1.9 | 115 / 230 | 10.0 / 5.0 | 40.1 |
| | | 3Ø | 1.9 | 230 / 460 | 3.1 / 1.6 | |
| TPH 12T 2K | 1½ | 1Ø | 1.5 | 230 | 11.0 | 43.4 |
| | | 3Ø | 1.5 | 230 / 460 | 7.4 / 3.7 | |
| TPH 12T 3K | 2 | 3Ø | 1.6 | 230 / 460 | 10.4 / 5.2 | 59.5 |
| TPH 12T 4K | 3 | 3Ø | 1.5 | 230 / 460 | 12.6 / 6.3 | 63.9 |
| TPH 12T 5K | 4 | 3Ø | 1.5 | 230 / 460 | 15.6 / 7.8 | 79.0 |



Performance curves

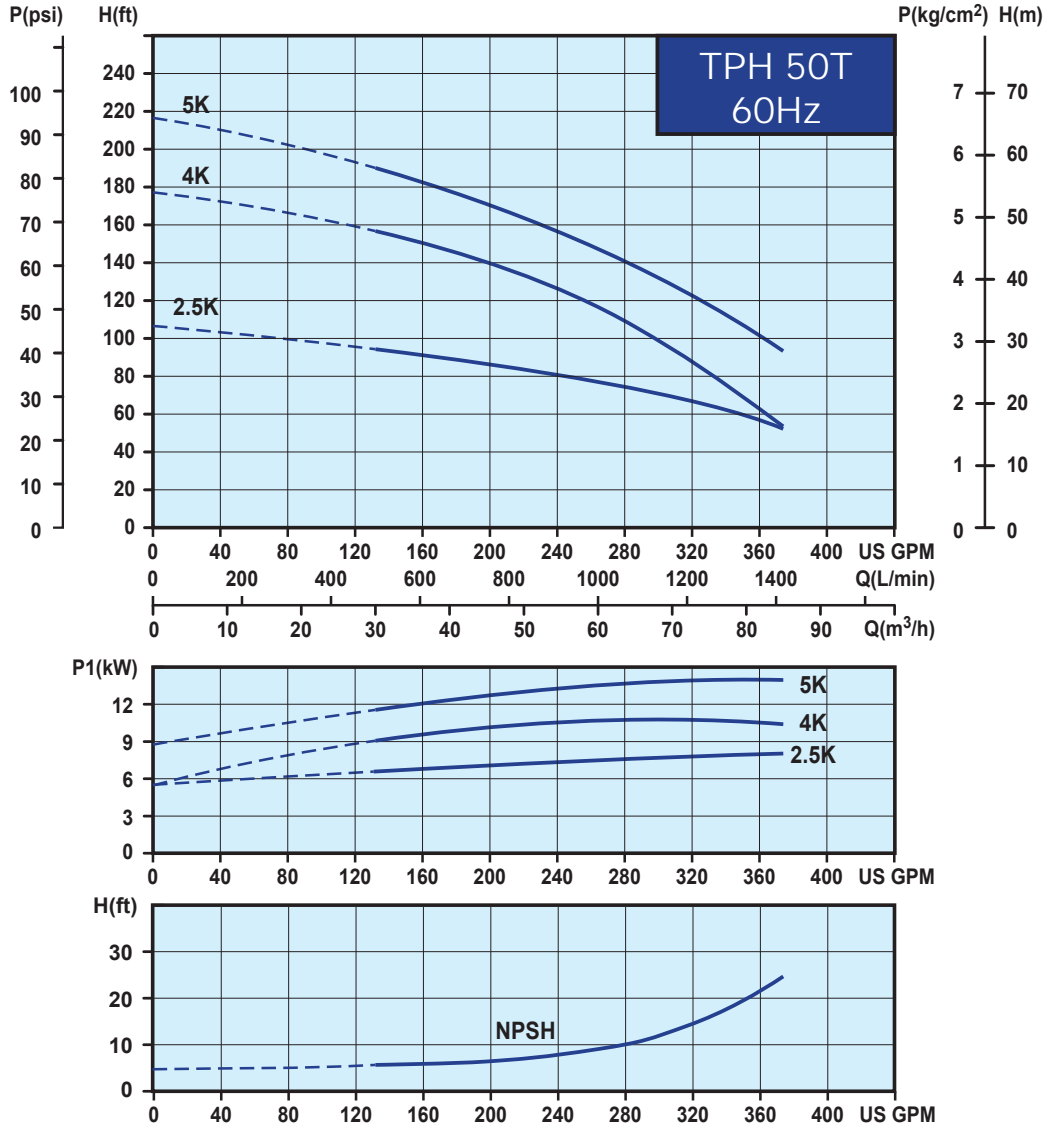


Electrical data, 60Hz, 3500rpm

| Model | Power (HP) | Phase (Ø) | S.F. | Voltage (V) | Current (A) | Net Weight (lbs) |
|-------------|------------|-----------|------|-------------|-------------|------------------|
| TPH 25T 2KF | 5 | 3Ø | 1.25 | 230 / 460 | 16.6 / 8.3 | 112.3 |
| TPH 25T 3KF | 5 | 3Ø | 1.25 | 230 / 460 | 16.6 / 8.3 | 125.1 |
| TPH 25T 4KF | 7.5 | 3Ø | 1.45 | 230 / 460 | 27.8 / 13.9 | 125.6 |
| TPH 25T 5KF | 10 | 3Ø | 1.5 | 230 / 460 | 36.6 / 18.3 | 151.5 |
| TPH 25T 6KF | 10 | 3Ø | 1.5 | 230 / 460 | 36.6 / 18.3 | 152.0 |



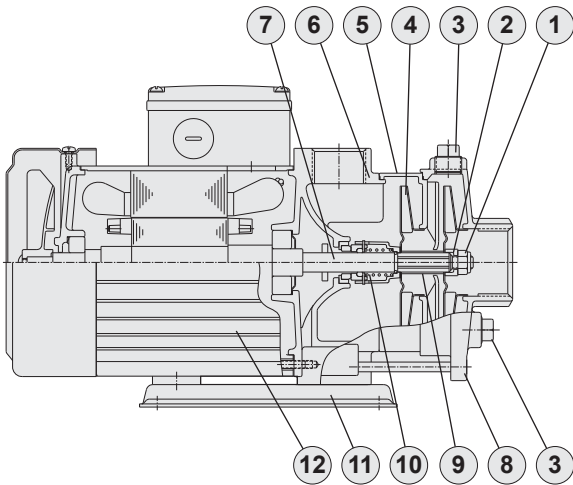
Performance curves



Electrical data, 60Hz, 3500rpm

| Model | Power (HP) | Phase (∅) | S.F. | Voltage (V) | Current (A) | Net Weight (lbs) |
|--------------|------------|-----------|------|-------------|-------------|------------------|
| TPH 50T2.5KF | 7.5 | 3∅ | 1.45 | 230 / 460 | 27.8 / 13.9 | 122.4 |
| TPH 50T 4KF | 10 | 3∅ | 1.5 | 230 / 460 | 36.6 / 18.3 | 171.0 |
| TPH 50T 5KF | 15 | 3∅ | 1.25 | 230 / 460 | 42.0 / 21.0 | 191.8 |

Sectional drawing

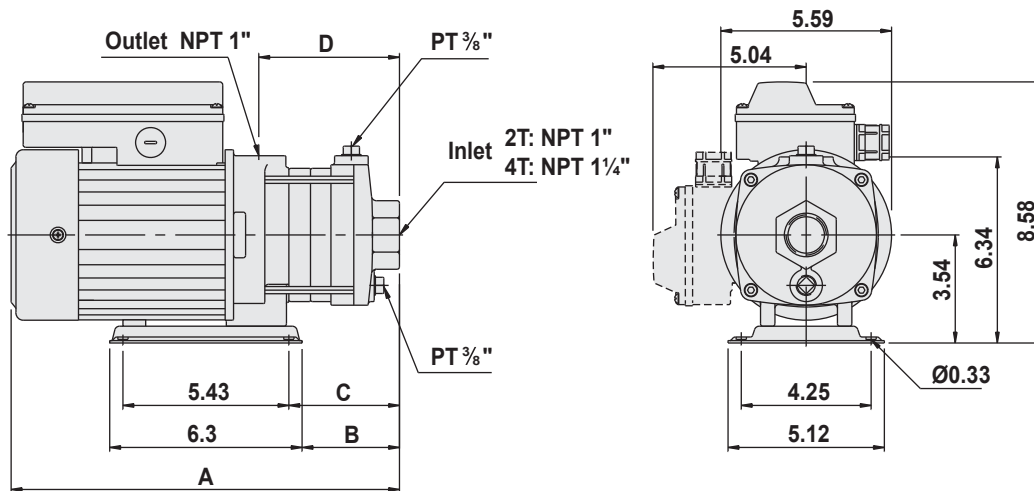


Materials

| No. | Part name | Material | | |
|-----|----------------------|-------------------------|----------|----------|
| | | Standard | S series | N series |
| 1 | Lock Nut | SUS 316 | SUS 316 | SUS 316 |
| 2 | Sleeve(Shaft End) | SUS 304 | SUS 304 | SUS 316 |
| 3 | Water Plug | FC 20 | SUS 304 | SUS 316 |
| 4 | Impeller | SUS 304 | SUS 304 | SUS 316 |
| 5 | Intermediate Chamber | SUS 304 | SUS 304 | SUS 316 |
| 6 | Pump Casing | FC 20 | SUS 304 | SUS 316 |
| 7 | Shaft | SUS 304 | SUS 304 | SUS 316 |
| 8 | Suction Chamber | FC 20 | SUS 304 | SUS 316 |
| 9 | Sleeve | SUS 304 | SUS 304 | SUS 316 |
| 10 | Mechanical Seal | Tungsten carbide + HNBR | | |
| 11 | Mounted Base | Coating Steel | SUS 316 | |
| 12 | Motor Shell | Aluminum alloy | | |

SUS 304 may be replaced by SUS316 depended on stock availability.

Dimensions (TPH 2/4)



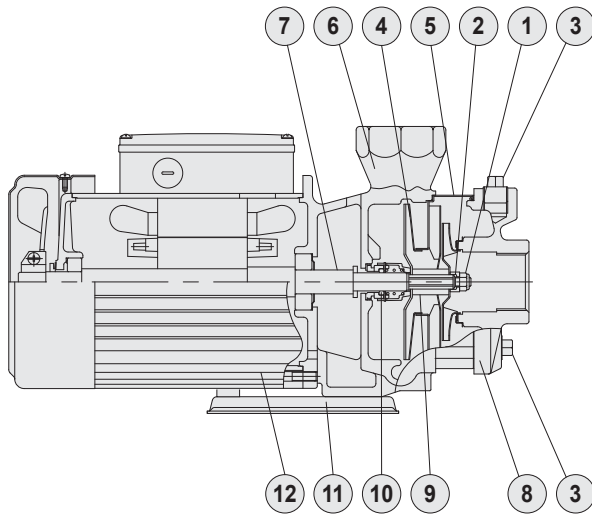
TPH 2T

| Model | A(in.) | B(in.) | C(in.) | D(in.) |
|-----------|--------|--------|--------|--------|
| TPH 2T 1K | 12.01 | 1.81 | 2.91 | 3.90 |
| TPH 2T 2K | 12.01 | 1.81 | 2.91 | 3.90 |
| TPH 2T 3K | 12.72 | 3.19 | 3.62 | 4.61 |
| TPH 2T 4K | 13.43 | 3.90 | 4.33 | 5.31 |
| TPH 2T 5K | 15.71 | 4.61 | 5.04 | 6.05 |
| TPH 2T 6K | 16.42 | 5.31 | 5.75 | 6.73 |

TPH 4T

| Model | A(in.) | B(in.) | C(in.) | D(in.) |
|-----------|--------|--------|--------|--------|
| TPH 4T 2K | 12.36 | 2.83 | 3.27 | 4.29 |
| TPH 4T 3K | 15.00 | 3.90 | 4.33 | 5.31 |
| TPH 4T 4K | 16.06 | 4.96 | 5.39 | 6.38 |
| TPH 4T 5K | 17.13 | 6.02 | 6.46 | 7.44 |
| TPH 4T 6K | 19.37 | 7.09 | 7.52 | 8.54 |

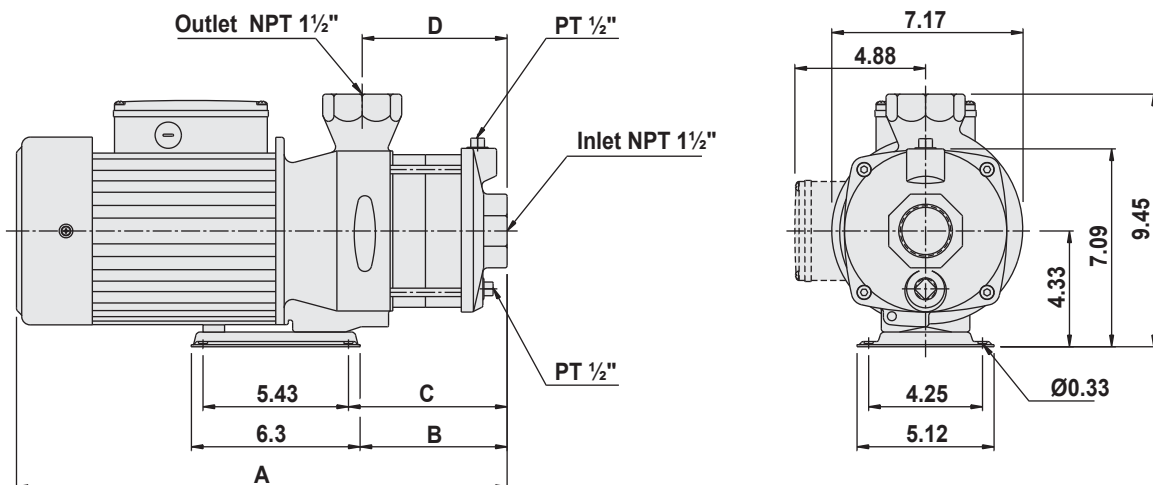
Sectional drawing



Materials

| No. | Part name | Material | |
|-----|----------------------|-------------------------|----------|
| | | Standard | S series |
| 1 | Lock Nut | SUS 316 | SUS 316 |
| 2 | Sleeve(Shaft End) | SUS 304 | SUS 304 |
| 3 | Water Plug | FC 20 | SUS 304 |
| 4 | Impeller | SUS 304 | SUS 304 |
| 5 | Intermediate Chamber | SUS 304 | SUS 304 |
| 6 | Pump Casing | FC 20 | SUS 304 |
| 7 | Shaft | SUS 304 | SUS 304 |
| 8 | Suction Chamber | FC 20 | SUS 304 |
| 9 | Sleeve | SUS 316 | SUS 316 |
| 10 | Mechanical Seal | Tungsten carbide + HNBR | |
| 11 | Mounted Base | Coating Steel | |
| 12 | Motor Shell | Aluminum alloy | |

Dimensions (TPH 8/12)



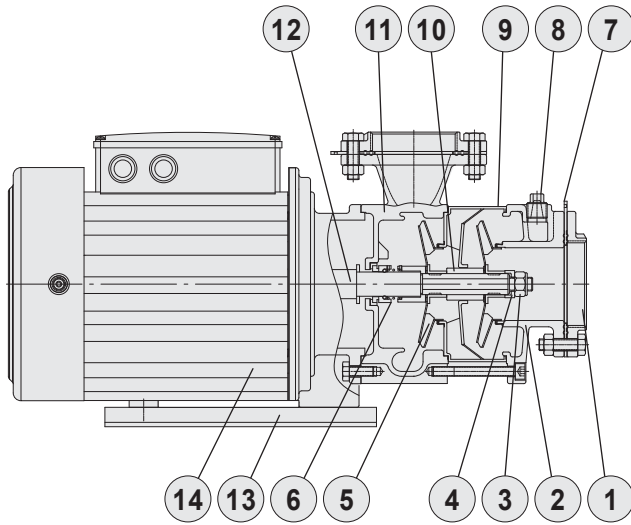
TPH 8T

| Model | A(in.) | B(in.) | C(in.) | D(in.) |
|-------------|--------|--------|--------|--------|
| TPH 8T 2K | 13.19 | 3.03 | 3.46 | 2.95 |
| TPH 8T 2.5K | 16.02 | 4.29 | 4.72 | 4.21 |
| TPH 8T 3K | 16.02 | 4.29 | 4.72 | 4.21 |
| TPH 8T 4K | 17.13 | 4.29 | 4.72 | 4.21 |
| TPH 8T 5K | 18.46 | 5.63 | 6.06 | 5.55 |

TPH 12T

| Model | A(in.) | B(in.) | C(in.) | D(in.) |
|------------|--------|--------|--------|--------|
| TPH 12T 1K | 13.19 | 3.03 | 3.46 | 2.95 |
| TPH 12T 2K | 14.76 | 3.03 | 3.46 | 2.95 |
| TPH 12T 3K | 17.13 | 4.29 | 4.72 | 4.21 |
| TPH 12T 4K | 17.13 | 4.29 | 4.72 | 4.21 |
| TPH 12T 5K | 20.83 | 5.63 | 6.06 | 5.55 |

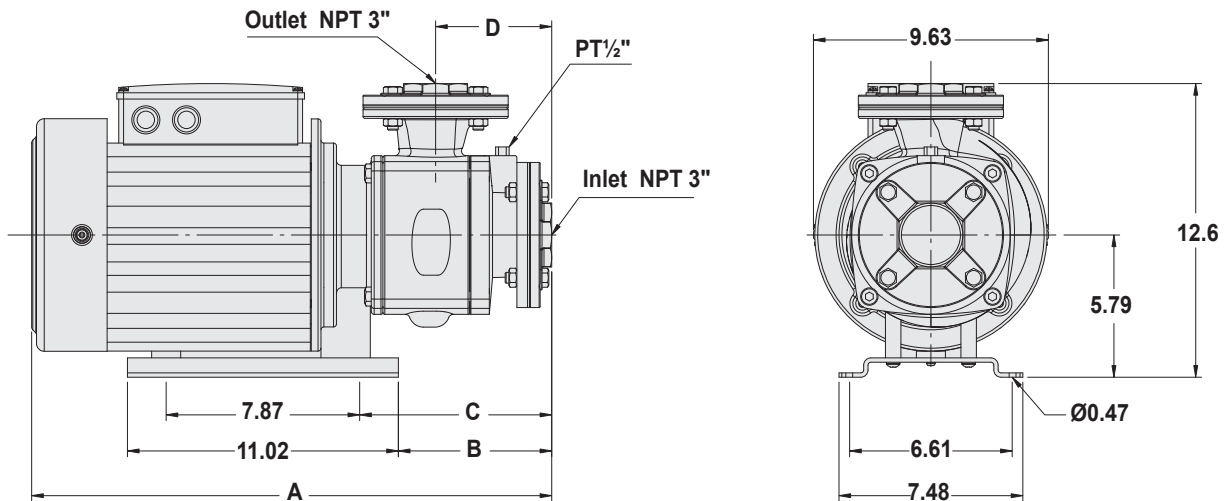
Sectional drawing (TPH 25/50)



Materials

| No. | Part name | Material | |
|-----|----------------------|-------------------------|----------|
| | | Standard | N series |
| 1 | Flange | FC 20 | SUS 316 |
| 2 | Suction Chamber | FC 20 | SUS 316 |
| 3 | Lock Nut | SUS 316 | SUS 316 |
| 4 | Sleeve (Shaft End) | SUS 316 | SUS 316 |
| 5 | Impeller | SUS 316 | SUS 316 |
| 6 | Mechanical Seal | Tungsten carbide + HNBR | |
| 7 | Gasket | Teflon+NBR | |
| 8 | Water Plug | FC 20 | SUS 316 |
| 9 | Intermediate Chamber | SUS 316 | SUS 316 |
| 10 | Sleeve | SUS 316 | SUS 316 |
| 11 | Pump Casing | FC 20 | SUS 316 |
| 12 | Shaft | SUS 316 | SUS 316 |
| 13 | Mounted Base | Coating Steel | |
| 14 | Motor Shell | Aluminum alloy | |

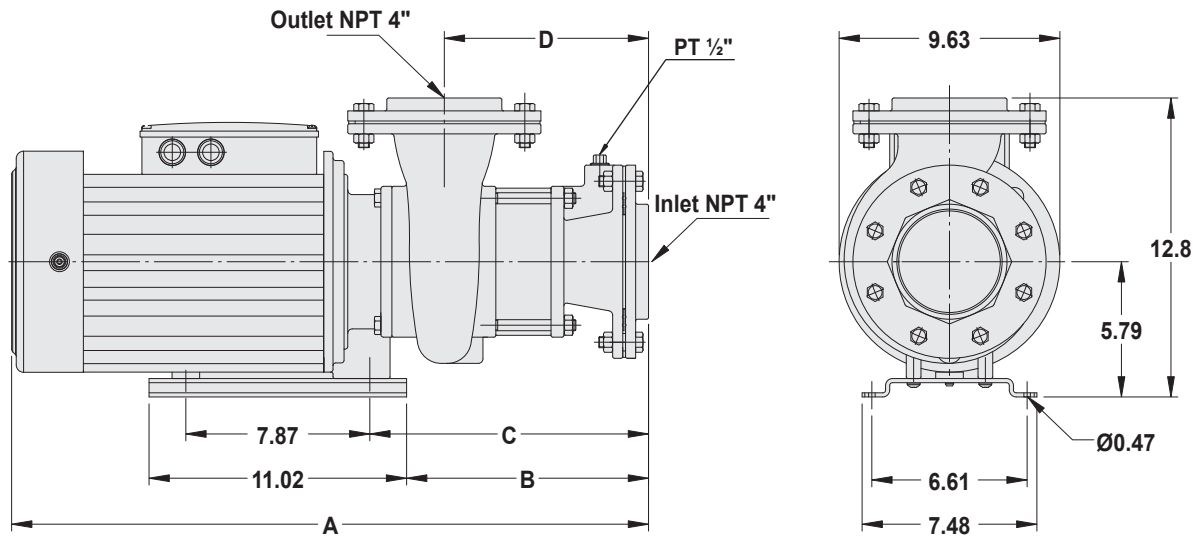
Dimensions (TPH 25)



TPH 25T 60Hz

| Model | A(in.) | B(in.) | C(in.) | D(in.) |
|-------------|--------|--------|--------|--------|
| TPH 25T 2KF | 21.16 | 6.24 | 7.81 | 4.72 |
| TPH 25T 3KF | 23.52 | 8.60 | 10.18 | 7.09 |
| TPH 25T 4KF | 23.52 | 8.60 | 10.18 | 7.09 |
| TPH 25T 5KF | 27.85 | 10.96 | 12.54 | 9.45 |
| TPH 25T 6KF | 27.85 | 10.96 | 12.54 | 9.45 |

Dimensions (TPH 50T)



TPH 50T 60Hz

| Model | A(in.) | B(in.) | C(in.) | D(in.) |
|--------------|--------|--------|--------|--------|
| TPH 50T2.5KF | 22.93 | 7.99 | 9.57 | 6.38 |
| TPH 50T 4KF | 27.26 | 10.35 | 11.93 | 8.74 |
| TPH 50T 5KF | 29.23 | 10.35 | 11.93 | 8.74 |



Walrus America Inc
 20220 Hempstead Road, Suite #30, Houston, TX 77065
 Phone: 281-955-8035 Fax: 281-955-8037
 Web: www.walrusamerica.com