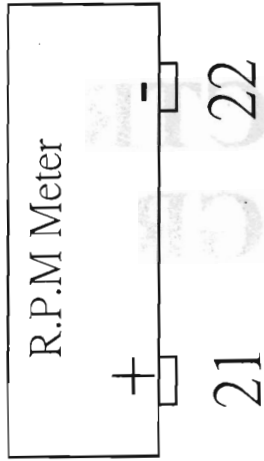
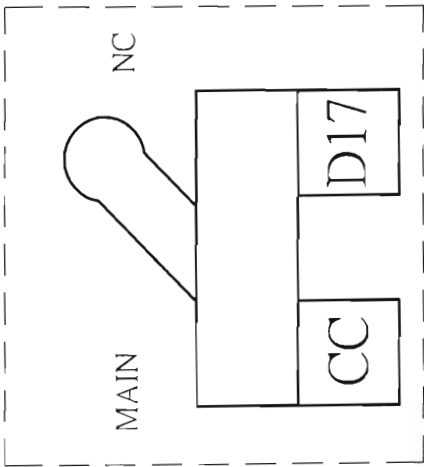
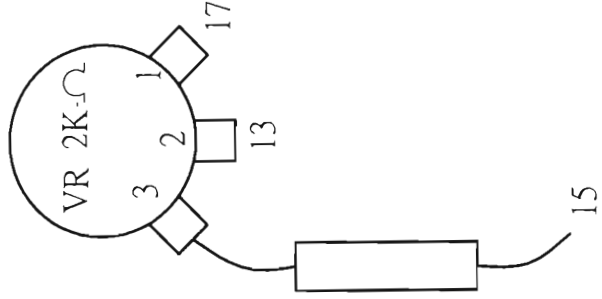


# 1. THE CONTROL PANEL

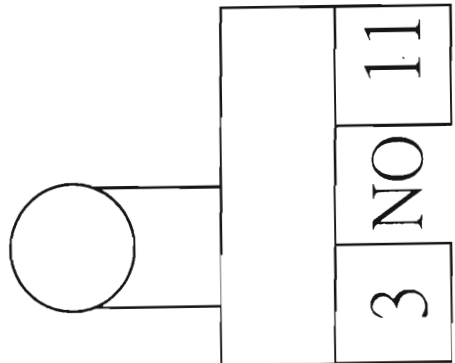
## The Control Panel



SPINDLE SPEED

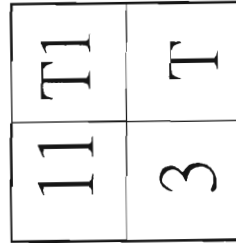


OPT.



RESET

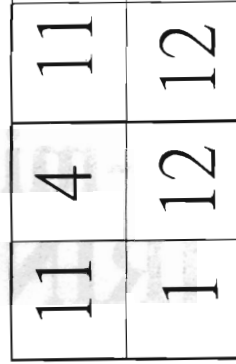
SB3



NO NC

RESET

SB1

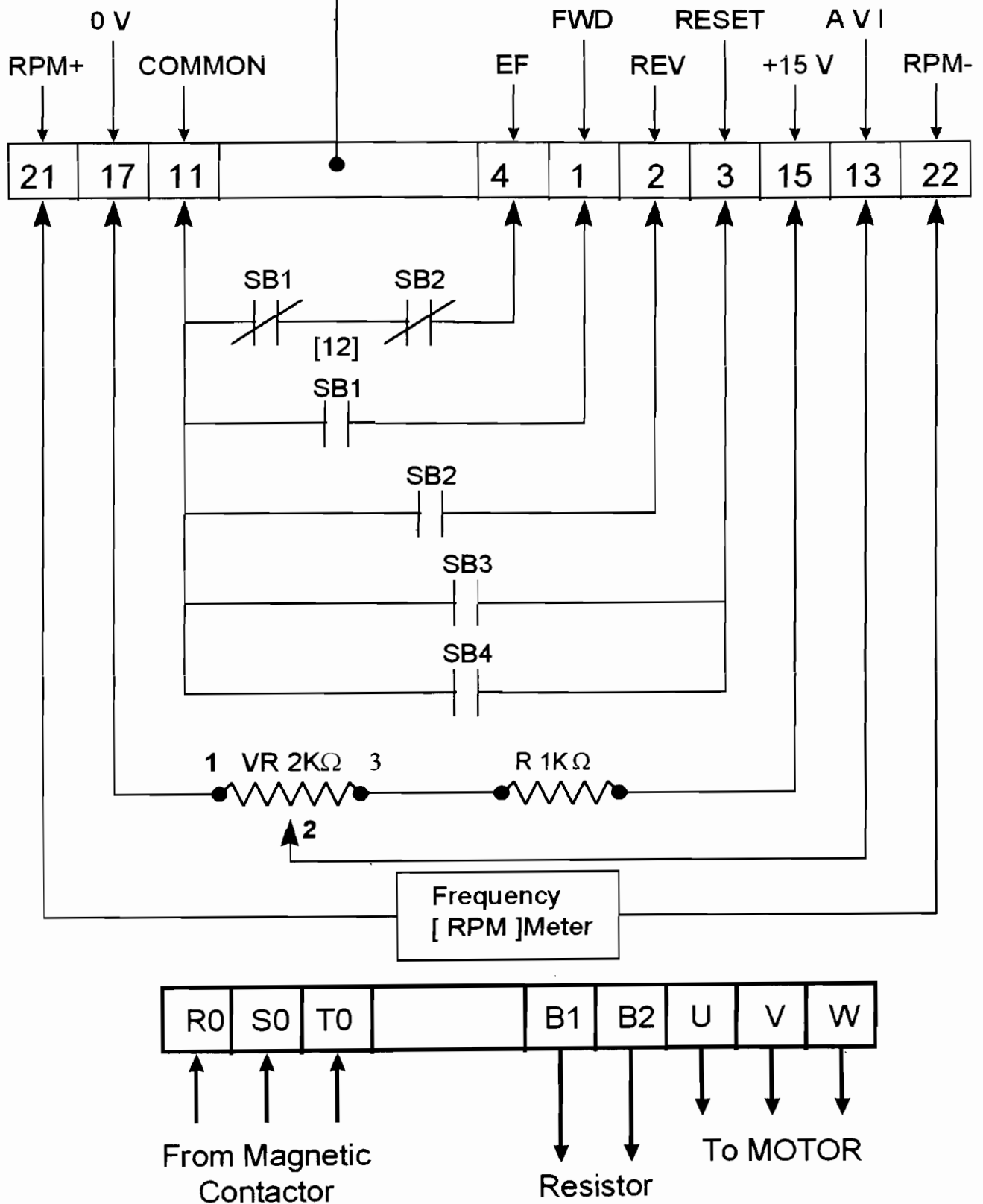


NO NC NC NO

SB2

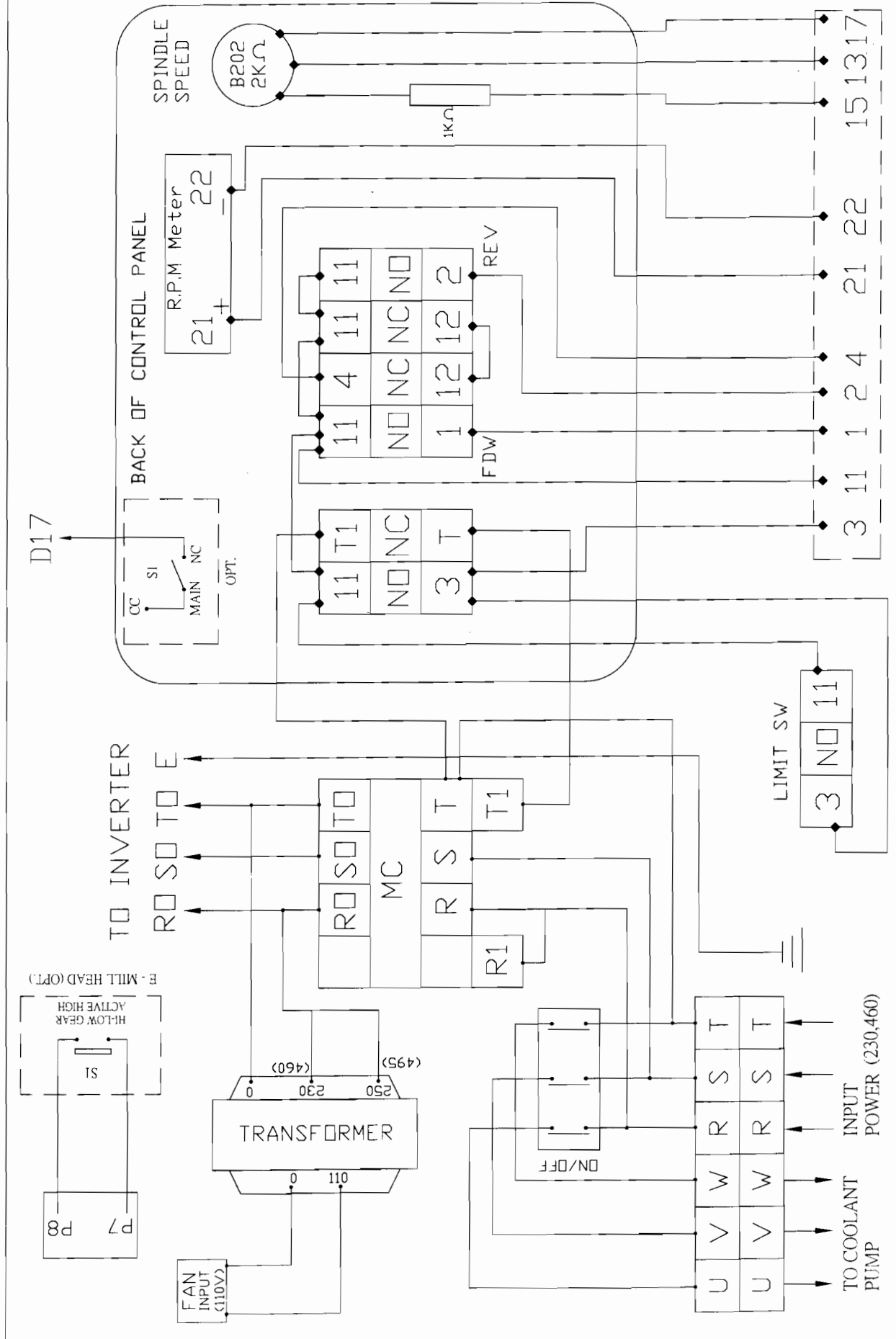


# Terminal Board of G5 Inverter



The Circuit Diagram

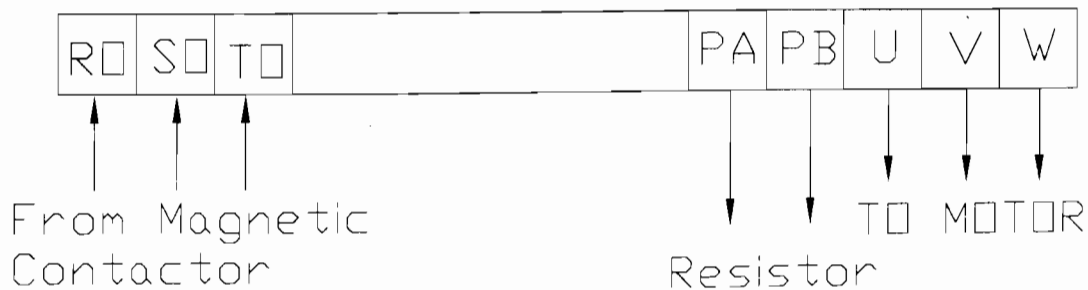
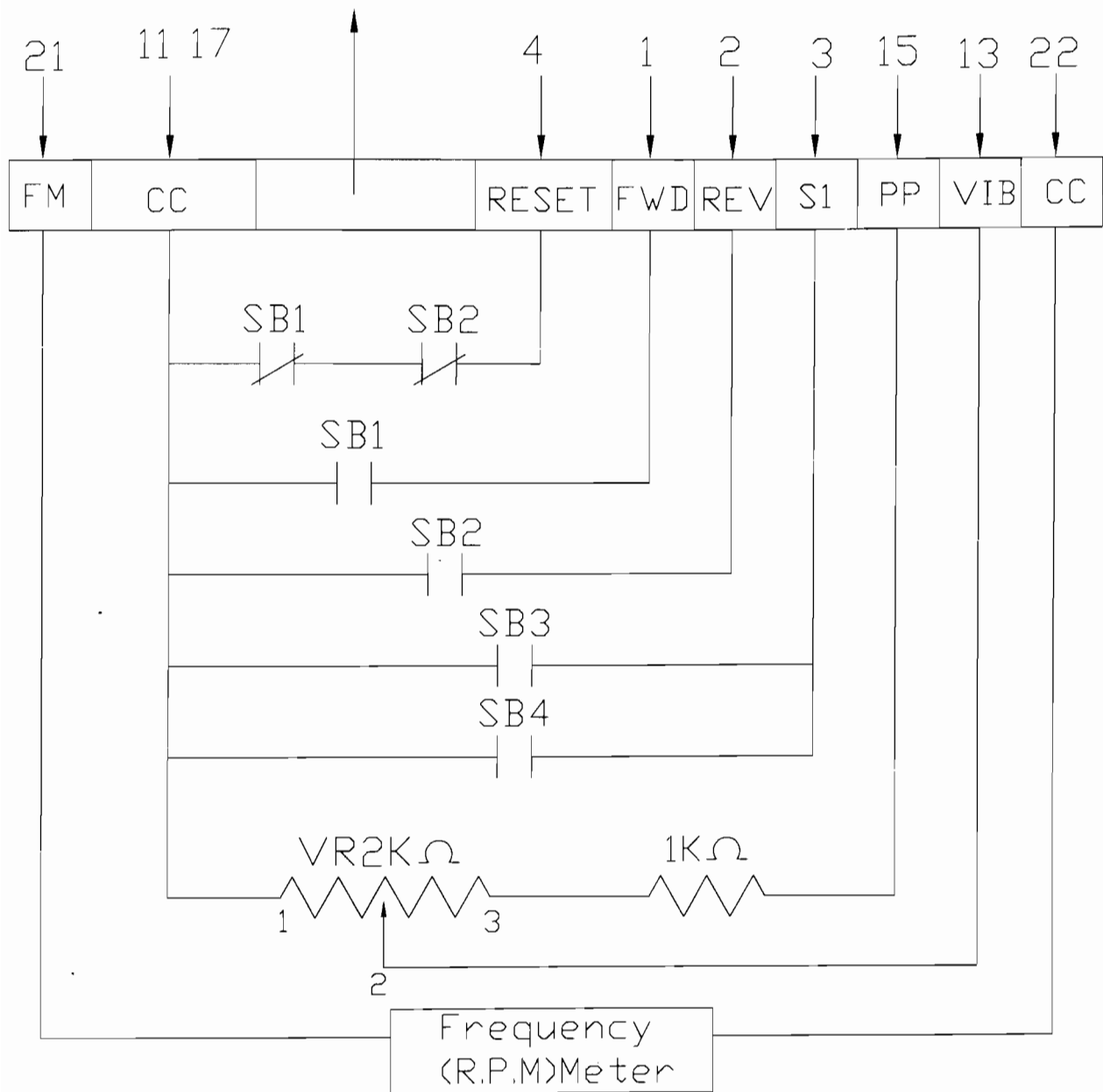
# TOSHIBA S7,S9 WIRING DIAGRAM



TO TERMINAL BOARD OF S7 INVERTER

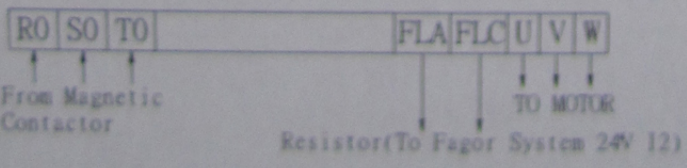
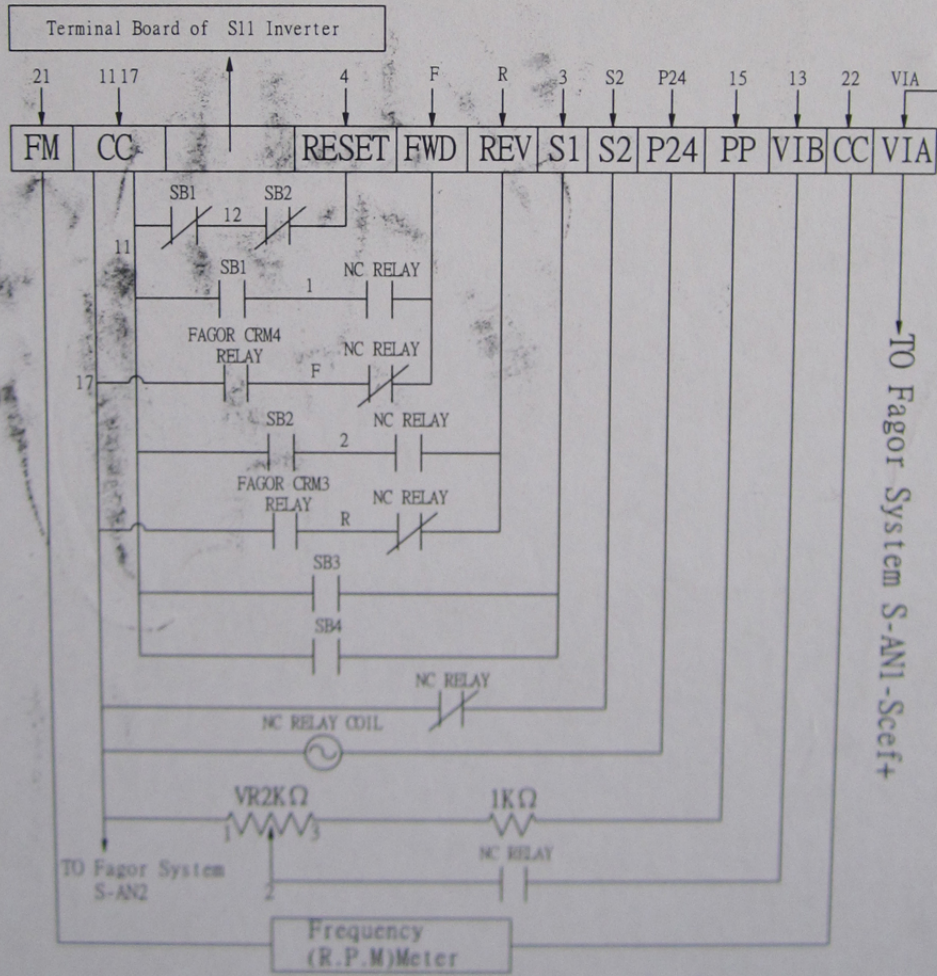
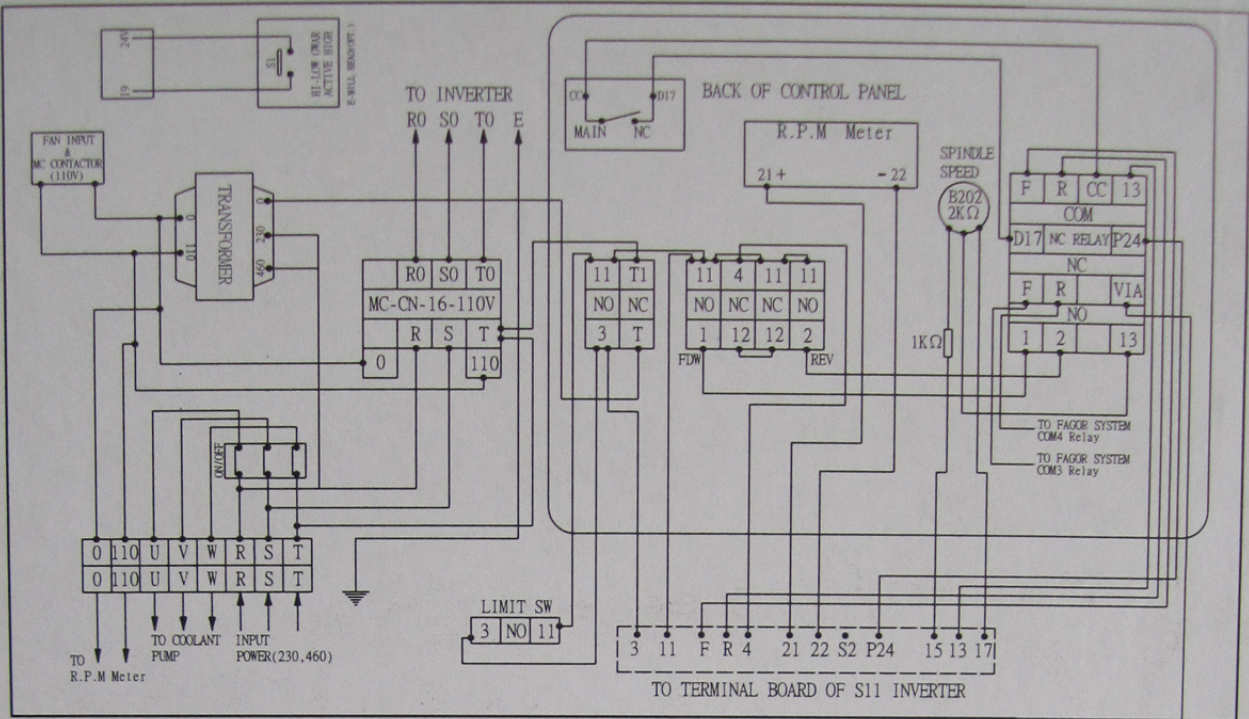
# TOSHIBA

Terminal Board of S7 S9 Inverter



The Circuit diagram

# TOSHIBA S11 WIRING DIAGRAM FOR FAGOR SYSTEM



The Circuit diagram