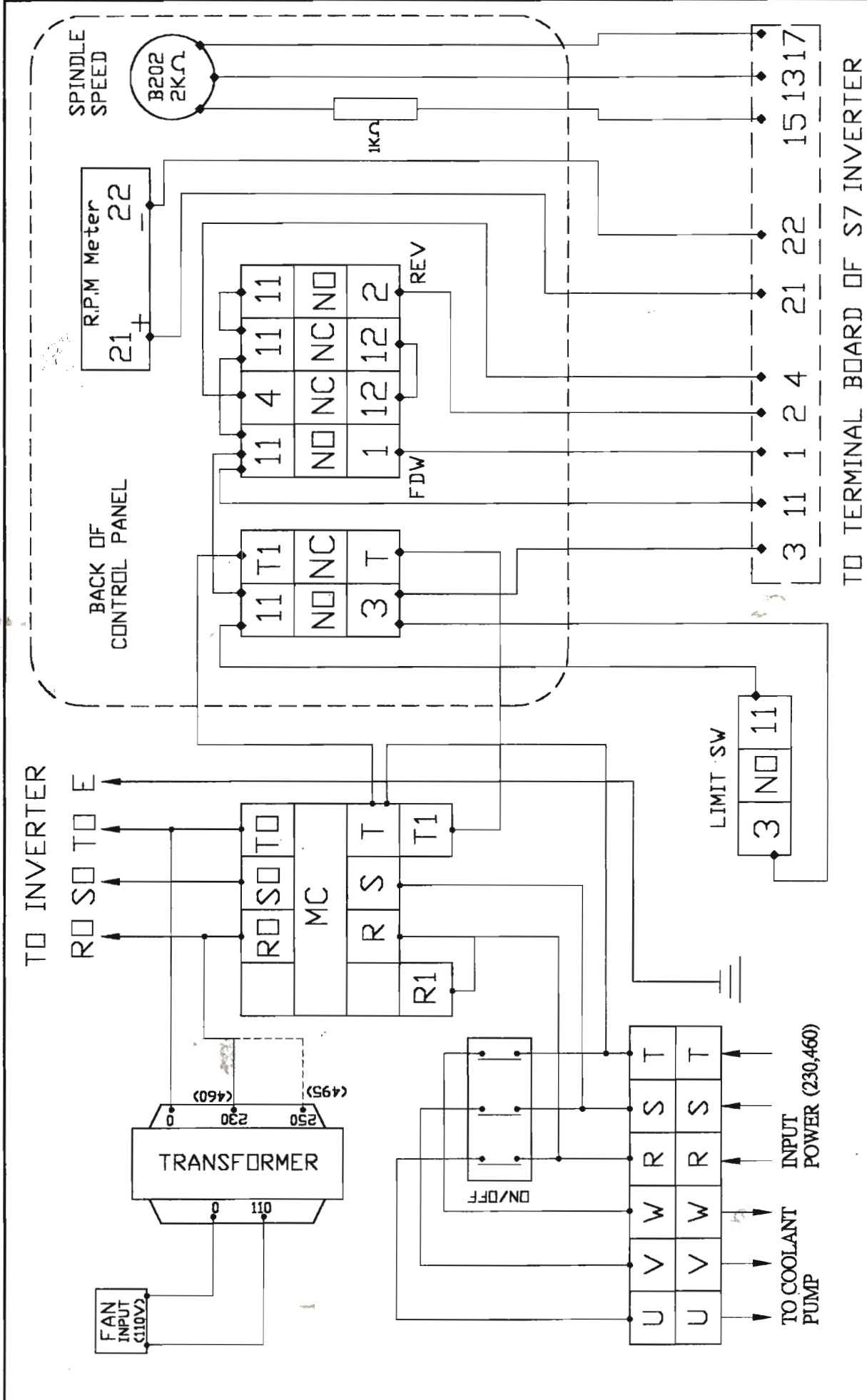
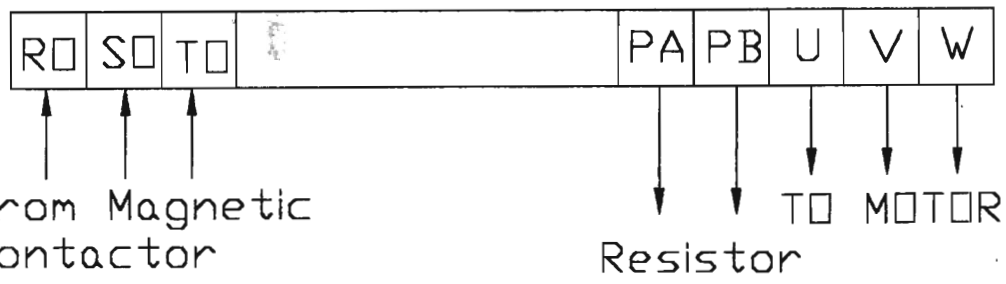
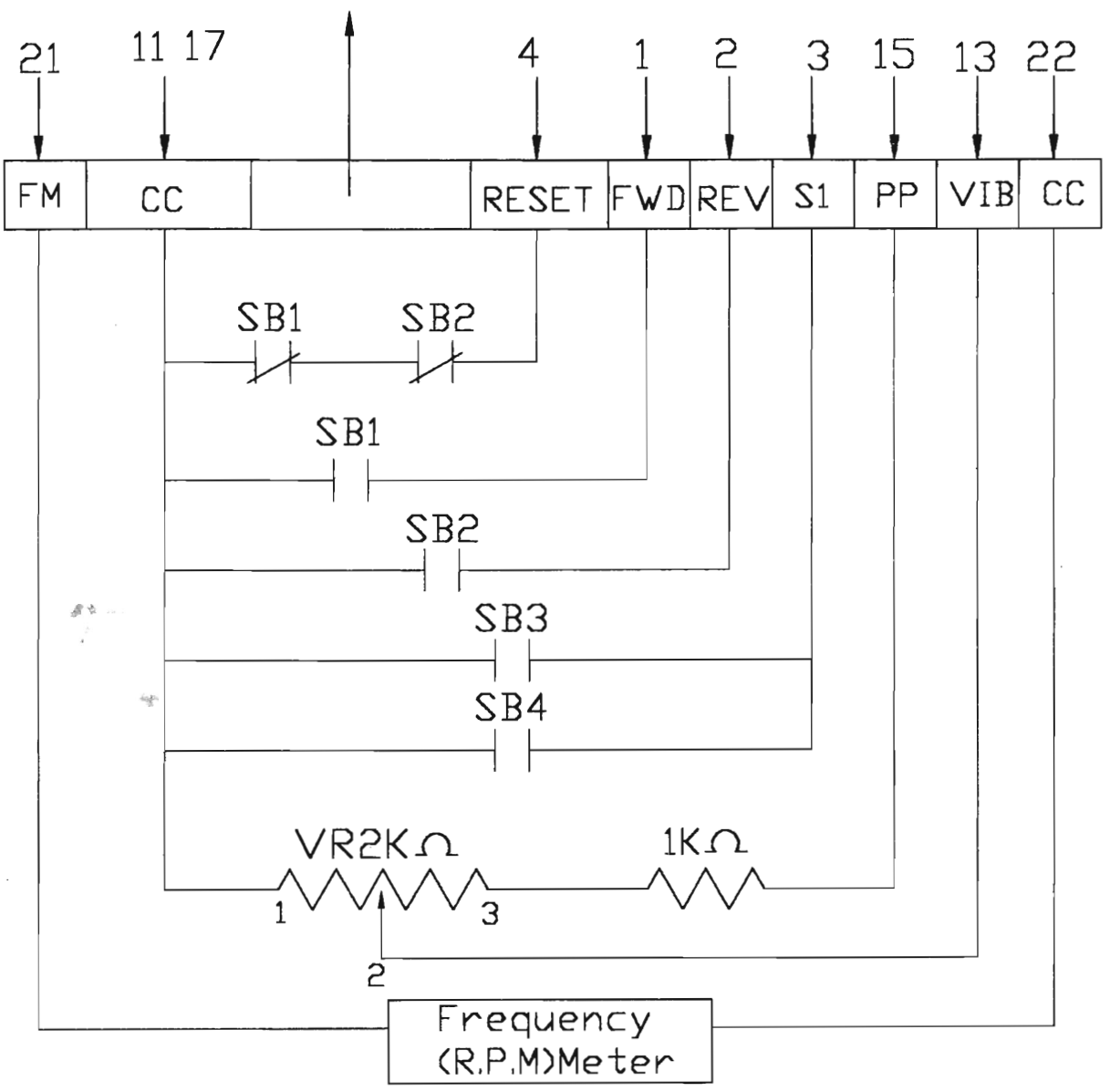


TOSHIBA S7 WIRING DIAGRAM



TOSHIBA

Terminal Board of S7 Inverter



The Circuit diagram