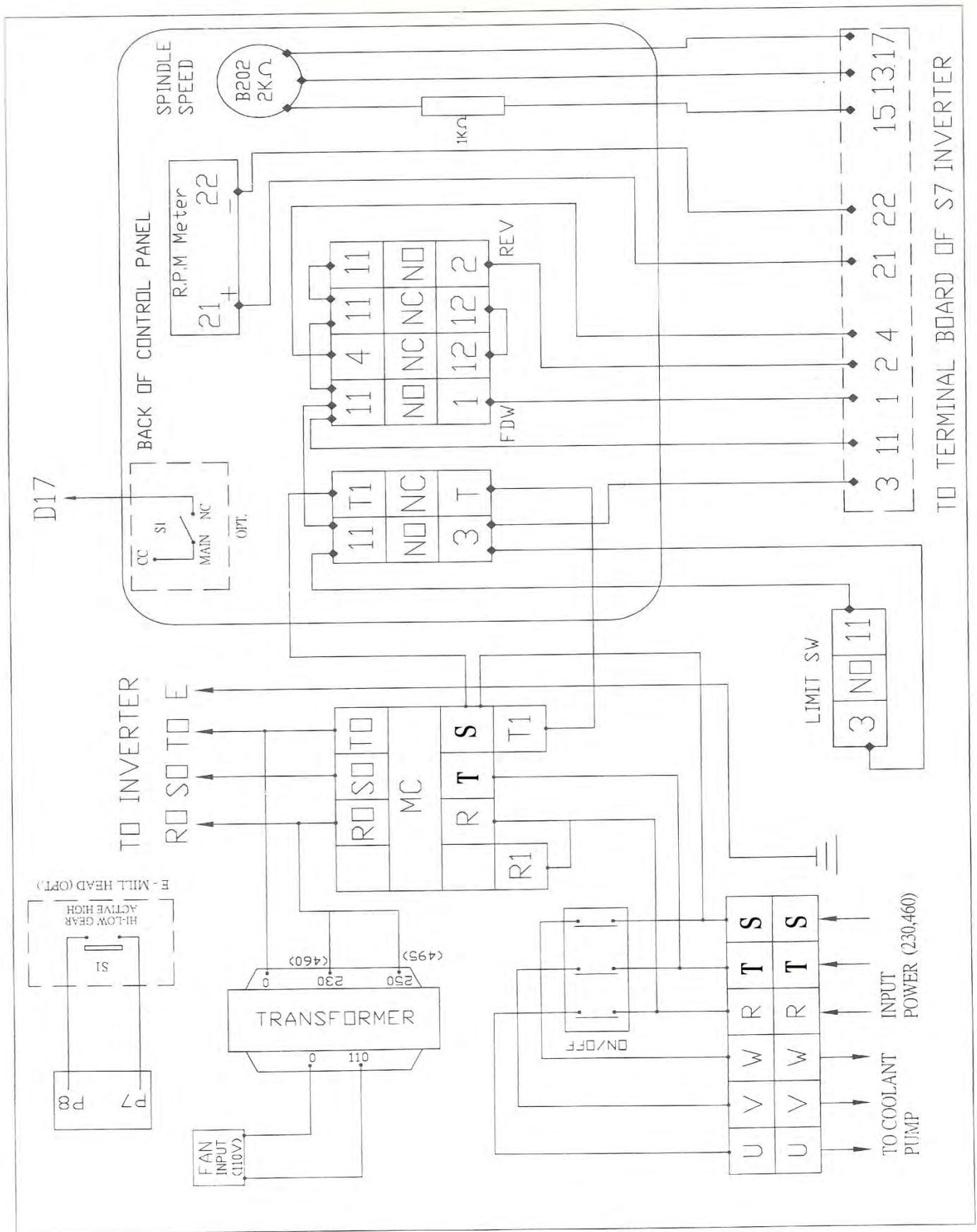


11-2. Toshiba S7, S9, S11 Wiring Diagram



11-3. The Circuit Diagram

TOSHIBA

