

## 20. COMPLETE MECHANICAL PARTS LIST AND DRAWING

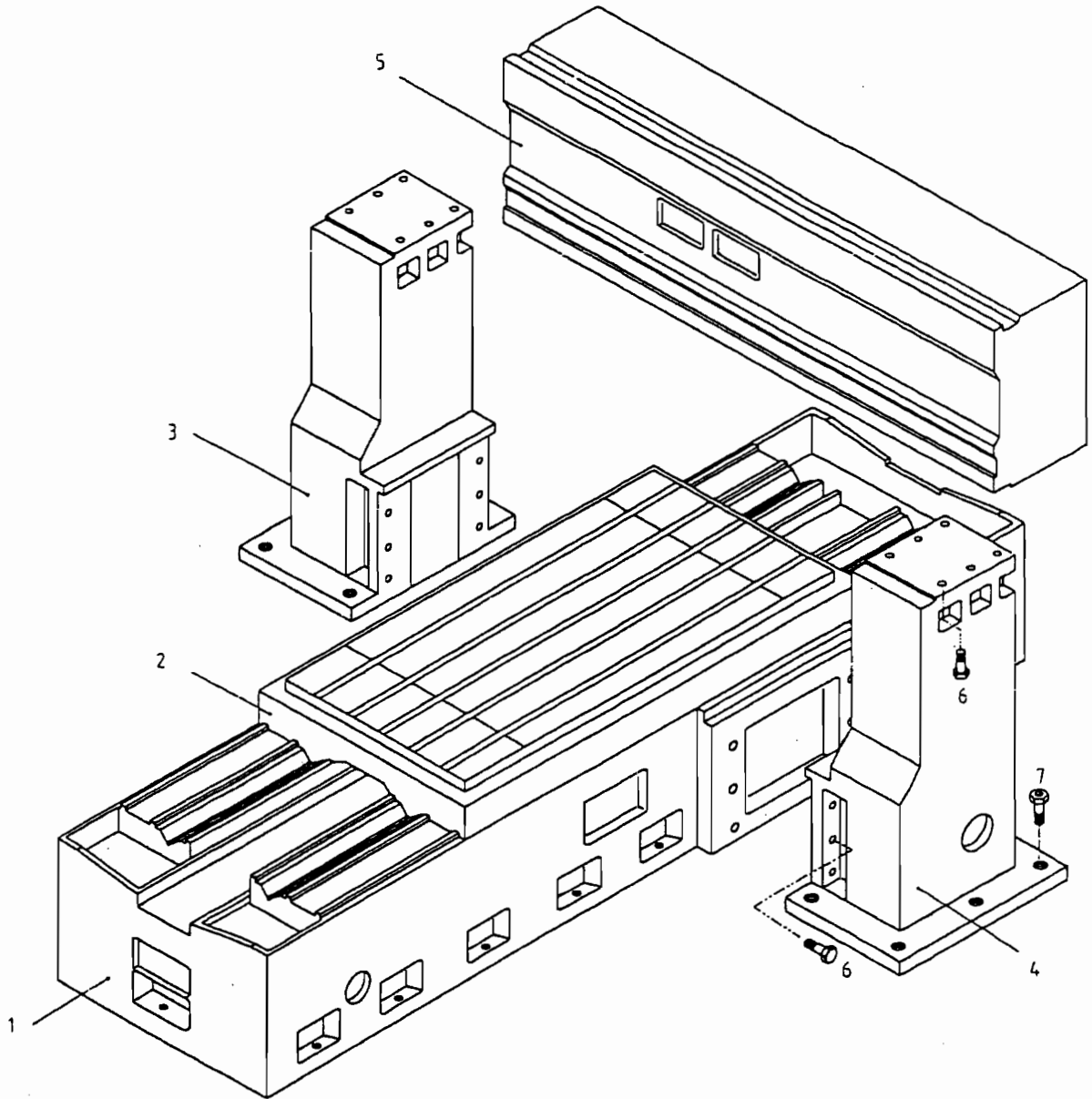
Main Casting Assembly.....	53
Lateral Beam Assembly.....	55
Spindle Housing Assembly.....	57
Motor & Spindle Drive Assembly.....	59
Z axis Assembly.....	61
Crossfeed Assembly.....	63
Lubrication System Assembly.....	65
Lubrication System Assembly.....	67
Lateral Beam Connect Component Assembly....	69
Back Supporting Component Assembly.....	71
Front Supporting Component Assembly.....	73
Cylinder Assembly.....	75
Valve Unit Assembly.....	77
Hydraulic Pump Unit Assembly.....	79

### **!NOTE!**

**To order parts, please have the following information ready:**

- 1. Machine model & serial number**
- 2. Index number**
- 3. Part number and name**
- 4. Year of production**
- 5. Quantity**

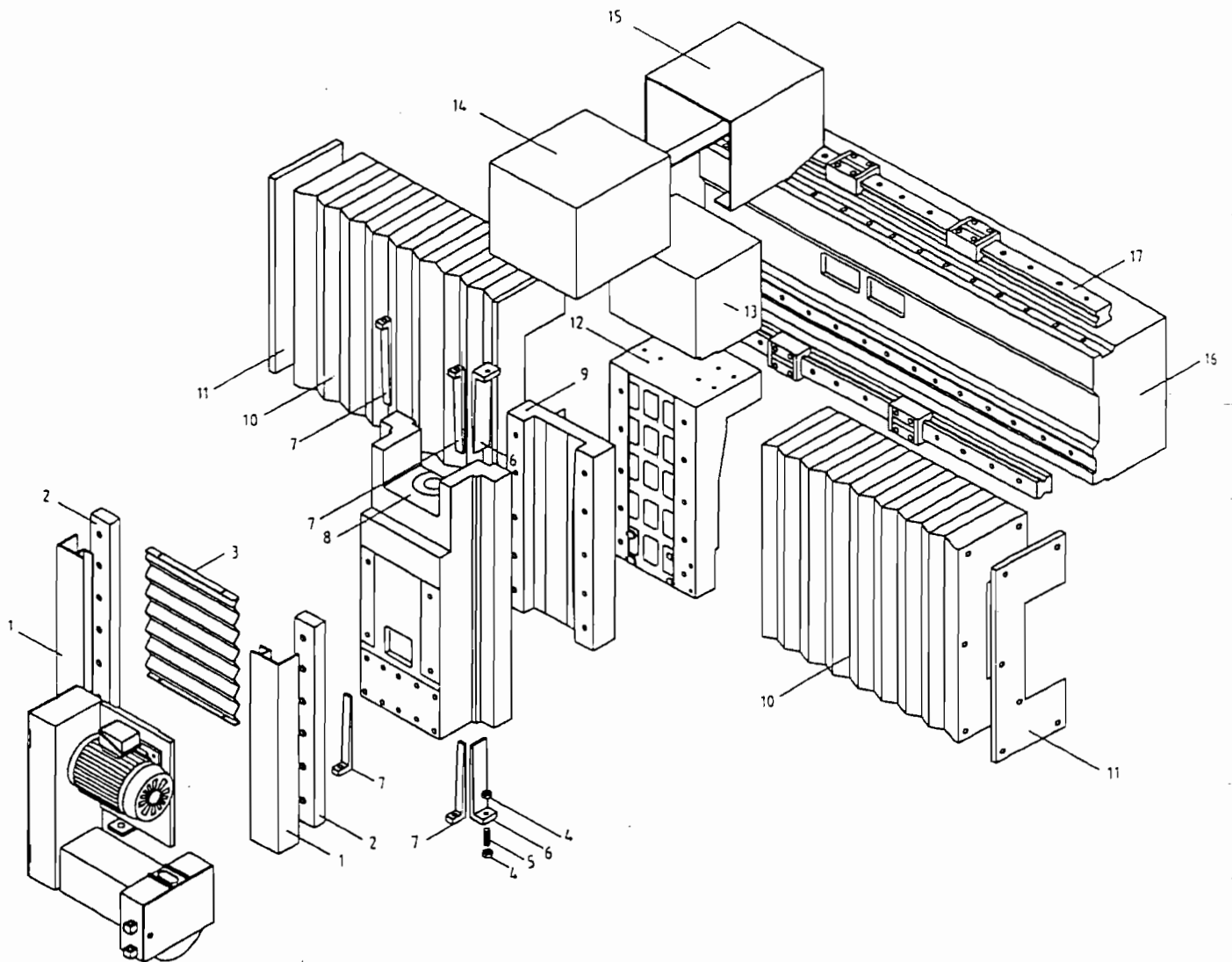
# MAIN CASTINGS ASS'Y



## MAIN CASTINGS ASS'Y

Index No.	Parts No.	Parts Name	Q'ty
1.	1512-201	Machine Base	1
2.	1512-301	Working Table	1
3.	1512-202	Left Column	1
4.	1512-202-1	Right Column	1
5.	1512-401A	Lateral Beam	1
6.	W 1" x 2-1/2" L	Hex Head Screw	24
7.	1512-204	Leveling	Vary De. Length

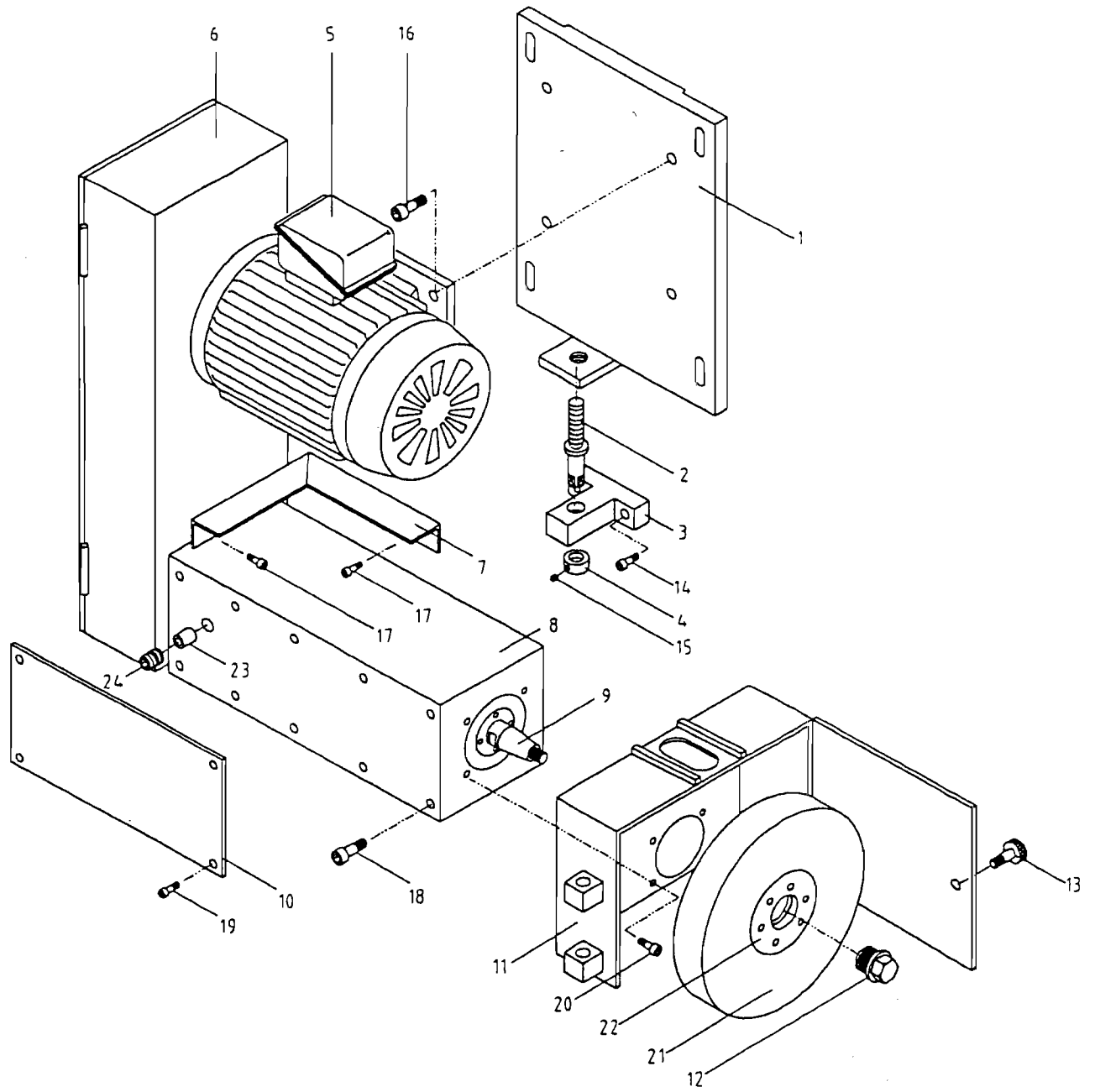
# LATERAL BEAM ASSEMBLY ASS'Y



## LATERAL BEAM ASSEMBLY ASS'Y

Index No.	Parts No.	Parts Name	Q'ty
1.	T2512-529A	Dust Cover Guide	2
2.	T2512-515A	Up&Down Guide Way	2
3.	T2512-530	Dust Cover	1
4.	W 5/16"	Hex Nut	12
5.	W 5/16" x 3" L	Set Screw	6
6.	T2512-508A-1	Taper Gib	2
7.	T2512-508A	Taper Gib	4
8.	T2512-509A	Housing Sliding Plate	1
9.	T2512-535A	S.Housing Adapting Plate	1
10.	1512-428B	Accordion Cover	2
11.	1512-423B	Cover End Plate	2
12.	T2512-536A	Housing Back Plate	1
13.	T2512-526A	Beam/House Connect. Plate	1
14.	T2512-525A	Front Cover	1
15.	T2512-524A	Back Cover	1
16.	1512-401A	Lateral Beam	1
17.	THK SHS55	V Linear Guide Way	2

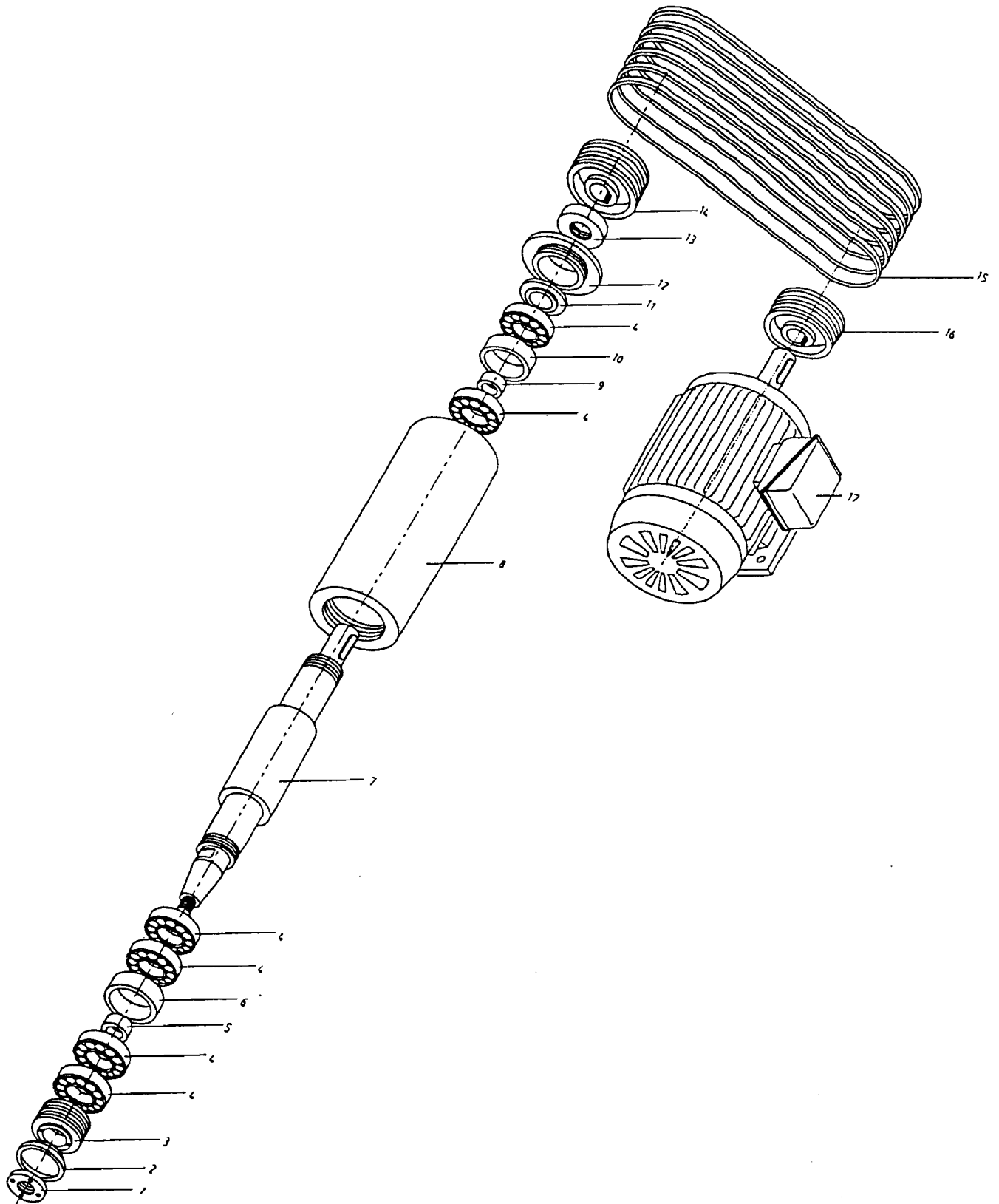
# SPINDLE HOUSING ASSEMBLY



## SPINDLE HOUSING ASSEMBLY

Index No.	Parts No.	Parts Name	Q'ty
1.	T2512-101	Motor Back Plate	1
2.	T2512-122	Adjusting Screw Rod	1
3.	T2512-124	Adjusting Plate	1
4.	T2512-123	Plate Spacer	1
5.	20HP*4P (30HP*4P optional)	Spindle Motor Spindle Motor	1
6.	T2512-106A	V Belt Pulley Cover	1
7.	T2512-106A-1	Locating L Bracket	1
8.	T2512-510A	Spindle Housing	1
9.	φ 170*693L	Spindle Assembly	1
10.	T2512-516-1	Spindle Housing Cover	1
11.	T2512-105-1	Wheel Guard	1
12.	2448-302	Spindle Nut	1
13.	1224-116	Wheel Guard Lock Knob	1
14.	W 3/8" * 1-1/2" L	Socket HD Cap Screw	2
15.	W 1/4" * 3/8" L	Set Screw	1
16.	W 3/8" * 1-3/4" L	Hex. HD Screw	4
17.	W 1/4" * 3/4" L	Socket HD Cap Screw	4
18.	W 5/8" * 4" L	Socket HD Cap Screw	10
19.	W 1/4" * 3/4" L	Socket HD Cap Screw	4
20.	W 5/16" * 1" L	Socket HD Cap Screw	4
21.	φ 510 * 50 * 203	Grinding Wheel	1
22.	1512-107	Wheel Flange	1
23.	2040-312	Spindle Locking Spacer	2
24.	W 3/4" * 3" L	Socket HD Cap Screw	2

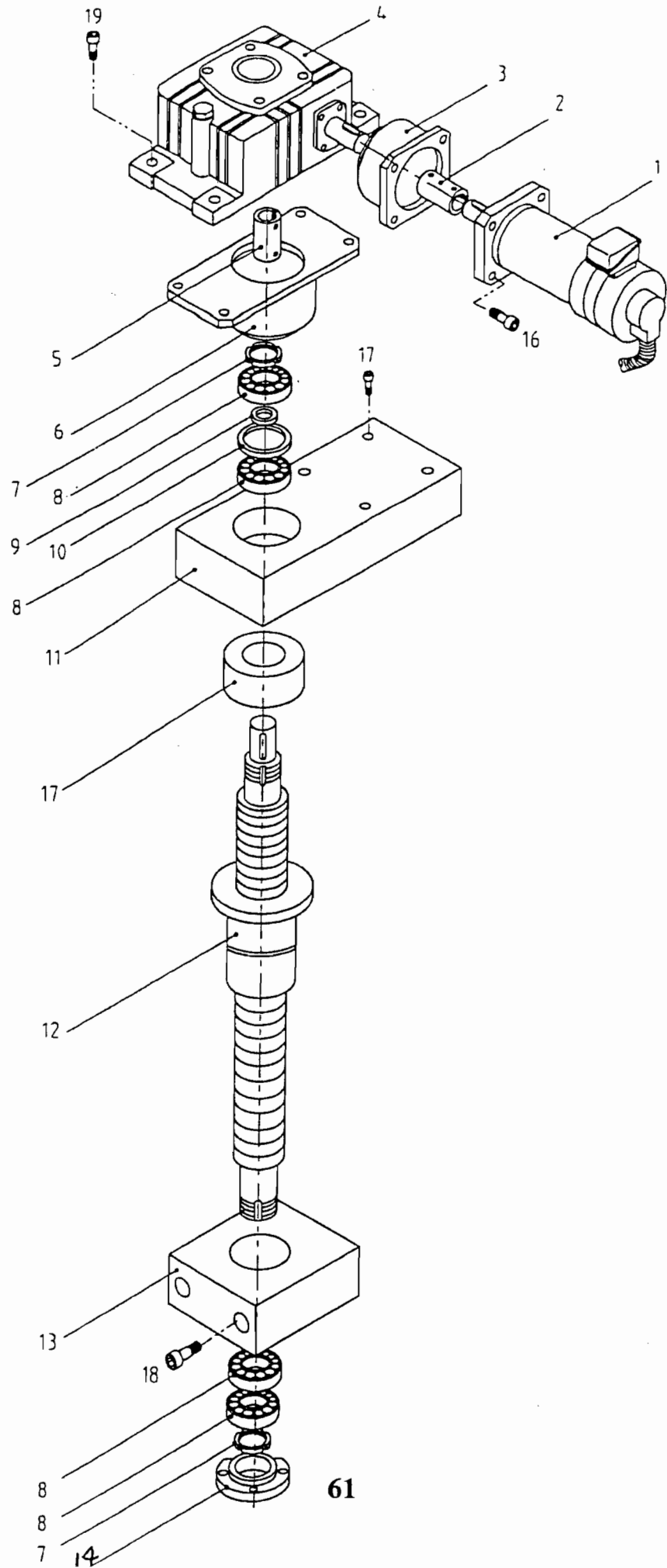
# MOTOR/SPINDLE DRIVE ASS'Y





## MOTOR/SPINDLE DRIVE ASS'Y

Index No.	Parts No.	Parts Name	Q'ty
1.	T2512-154	Front Spindle Lock Nut	1
2.	T2512-153	Front Dust Cover	1
3.	T2512-155	Front Dust Cover Ring	1
4.	7215	Angular Contact Ball Bearing	6
5.	T2512-156	Front Inner Spacer	1
6.	T2512-157	Front Outer Spacer	1
7.	T1512-152	Spindle	1
8.	T1512-151	Spindle Quill	1
9.	T1512-161	Back Inner Spacer	1
10.	T1512-162	Back Outer Spacer	1
11.	T2512-158	Back Dust Cover Ring	1
12.	T1512-160	Back Dust Cover	1
13.	T2512-159	Back Spindle Lock Nut	1
14.	T1512-102-2	Spindle Pulley	1
15.	SZ1937	3V Belt	6
16.	1512-102-1	Motor Pulley	1
17.	30HP*4P	Spindle Motor	1

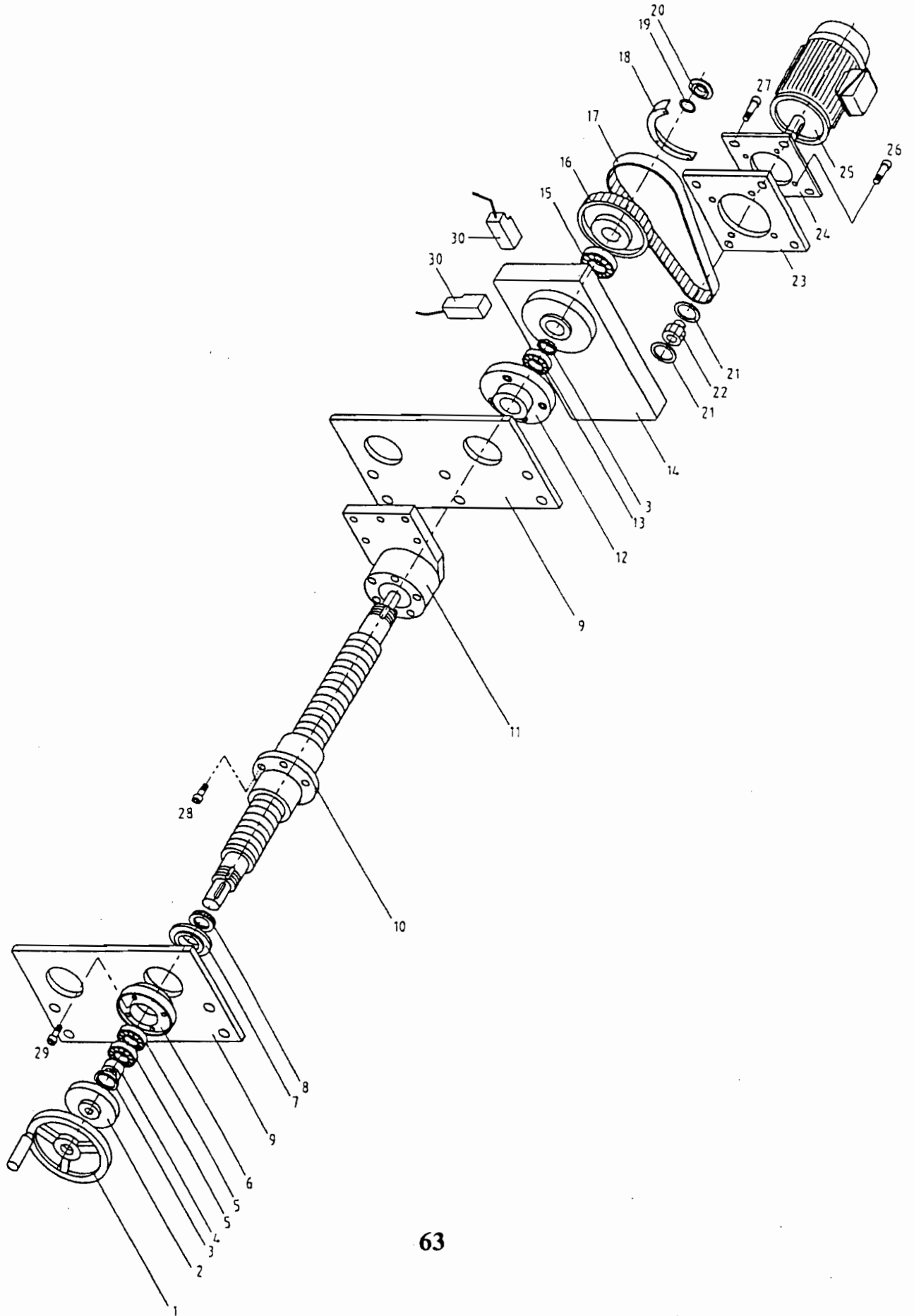


**Z AXIS DRIVE ASSEMBLY ASS'Y**

## Z AXIS DRIVE ASSEMBLY ASS'Y

Index No.	Parts No.	Parts Name	Q'ty
1.	DC 850W	Servo Motor	1
2.	1512-520	Motor Coupler	1
3.	1512-519	Bearing Cover	1
4.	TK-70 1/20	Speed Reducing Box	1
5.	1512-521	Screw Coupler	1
6.	1512-518	Worm Gear Seat	1
7.	YSRM40*P1.5	Screw Lock Nut	2
8.	7208	Angular Contact Ball Bearing	4
9.	1512-523	Inner Spacer	1
10.	1512-522	Outer Spacer	1
11.	1512-502	Ball Screw Base	1
12.	T2512-504	Ball Screw Assembly	1
13.	T2512-506	Bearing Seat	1
14.	T2512-507	Bearing Cover	1
15.	T2512-542	Spacer	1
16.	W 3/8" * 1-1/4" L	Socket HD Cap Screw	4
17.	W 5/8" * 2-1/2" L	Socket HD Cap Screw	4
18.	W 3/8" * 4" L	Socket HD Cap Screw	2
19.	W 1/2" * 1-1/4" L	Socket HD Cap Screw	4

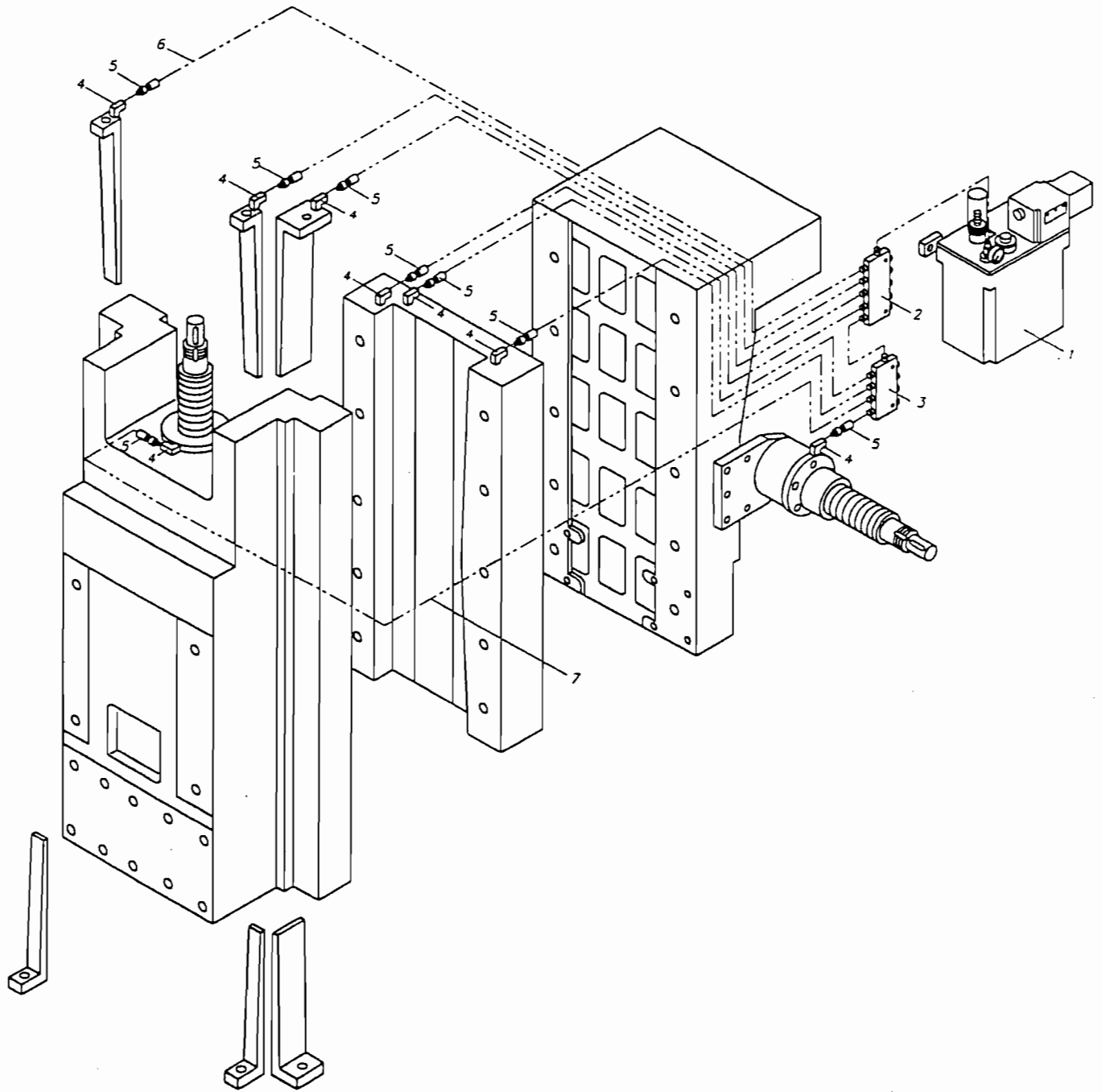
# CROSSFEED ASSEMBLY



## CROSSFEED ASSEMBLY

Index No.	Parts No.	Parts Name	Q'ty
1.	1020-714	Hand Wheel With Handle	1
2.	1512-405	Dial Ring	1
3.	AN05	Position Lock Nut	2
4.	2040-409	Spacer	1
5.	7205	Ball Bearing	2
6.	1512-406A	Right Bearing Base	1
7.	1512-459	Bearing Cap	1
8.	51205	Linear Bearing	1
9.	T2512-419	Bearing Locating Plate	2
10.	1512-408A	Ball Screw	1
11.	2512-NC409A	Ball Screw Base	1
12.	T1512-410	Left Bearing Base	1
13.	1305	Ball Bearing	1
14.	1512-412	Gear Reducing Box	1
15.	6204	Ball Bearing	1
16.	1512-411	Timing Belt Pulley	1
17.	270H	Timing Belt	1
18.	2040-443	Sensor Acting Ring	1
19.	ϕ 20 × ϕ 25 × 6.3	Keyless Locking Ring	2
20.	1512-434	Locking Cover	1
21.	1512-414	Pulley Guide Plate	2
22.	1512-413	Motor Pulley	1
23.	1512-416	Reducing Box Cover	1
24.	1512-417	Motor Locating Plate	1
25.	AC-1/4HP × 6P	Crossfeed Motor	1
26.	W 5/16" × 5/8" L	Hex. HD Screw	4
27.	W 1/4" × 5/8" L	Socket HD Cap Screw	4
28.	W 5/16" × 1" L	Socket HD Cap Screw	4
29.	W 5/16" × 1-1/4" L	Socket HD Cap Screw	8
30.	PS-05P	Sensor	2

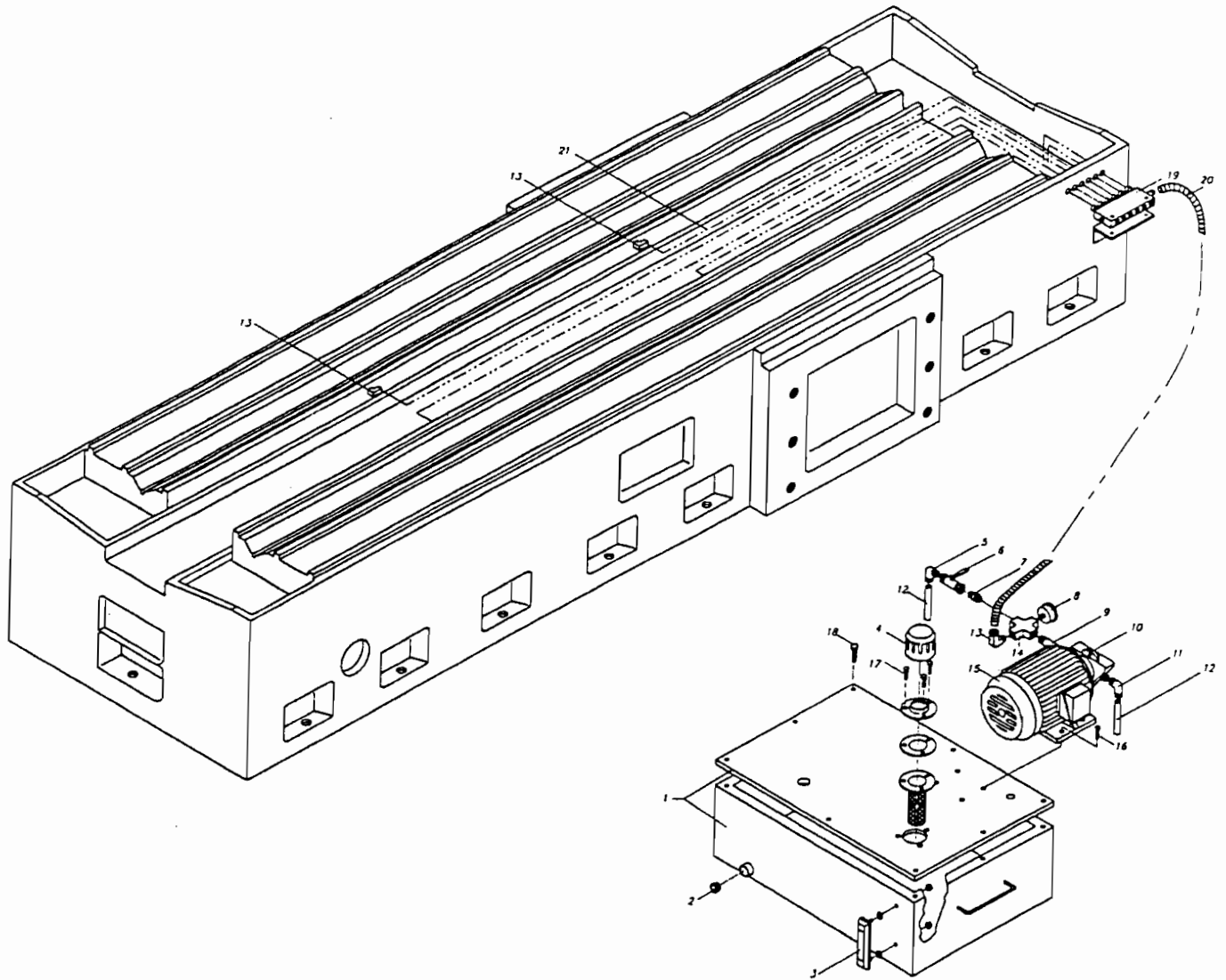
# LUBRICATION SYSTEM ASS'Y( I )



## LUBRICATION SYSTEM ASS'Y( I )

Index No.	Parts No.	Parts Name	Q'ty
1.	CEN TYPE	Lubrication Pump	1
2.	B-5	5 Way Valve Distributor	1
3.	B-4	4 Way Valve Distributor	1
4.	M4 x 1/8"PT	90 ° Angle Oil Connector	1
5.	M4 x 1/8"PT	Reverse Straight Oil Fitting	1
6.	ϕ 4	Aluminum Tube	1
7.	ϕ 3/8"	Oil Tube	1

# LUBRICATION SYSTEM ASS'Y(II)

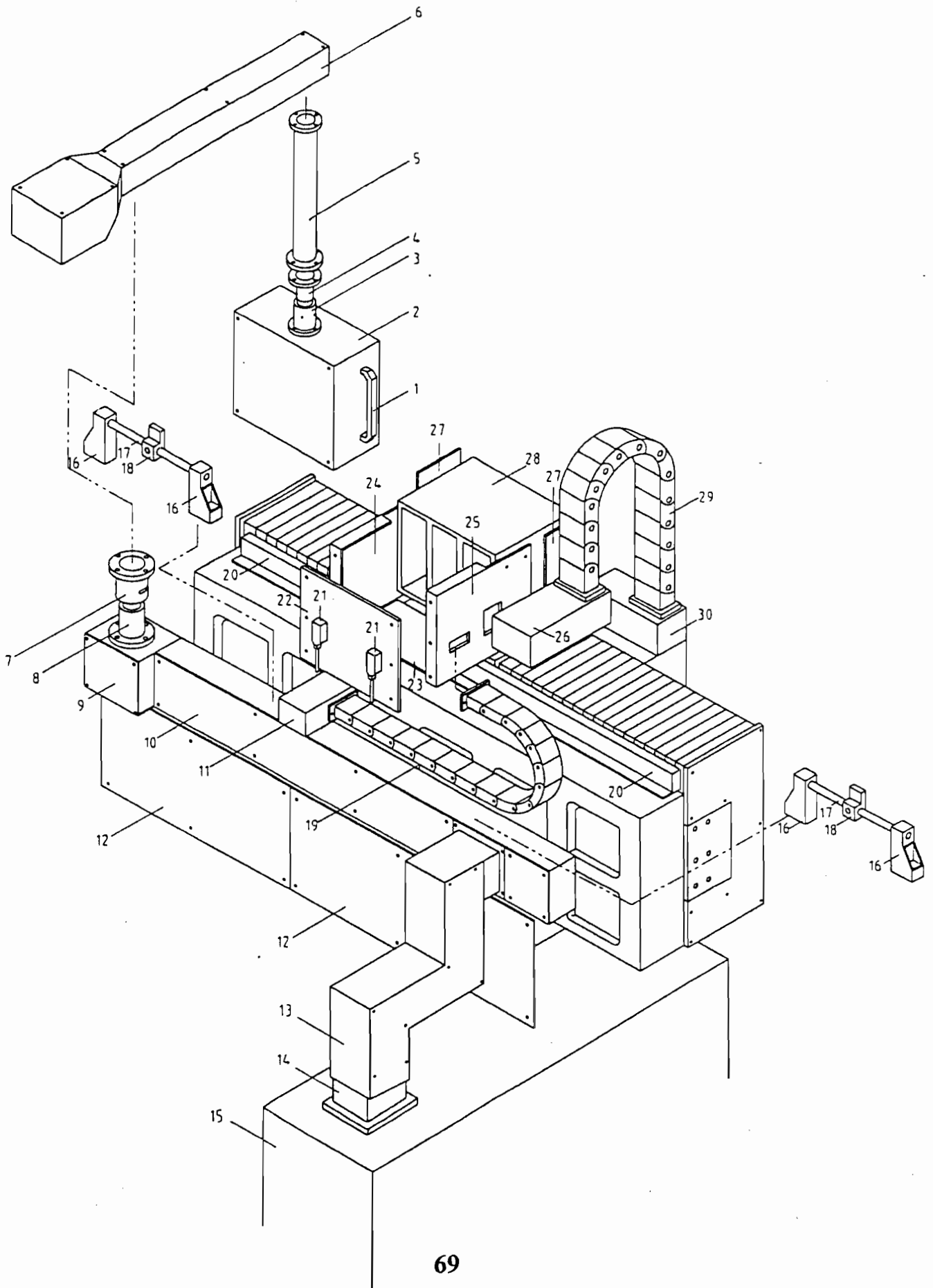




## LUBRICATION SYSTEM ASS'Y( II )

Index No.	Parts No.	Parts Name	Q'ty
1.	4012-208	Lubrication Tank	1set
2.	3/4"	Taper Oil Plug	1
3.	KS-5"	Oil Gauge	1set
4.	AB-1163	Oil Cap	1set
5.	1/4"PT x 1/4"PT	90 ° Angle Oil Connector	1
6.	1/4"PT	Water Valve	1
7.	1/8"PT x 1/4"PT	Straight Pipe Reducer	1
8.	OP 40AD	Pressure Gauge	1
9.	1/8"PT x 50L	Straight Pipe Connector	1
10.	TOP-10A	Oil Pump	1
11.	1/8"PT x 1/4"PT	90 ° Angle Pipe Connector	1
12.	φ 11	Water Hose	1
13.	M6 x 1/8"PT	Angel Connector	1
14.	1/8"PT	4 Way Distributor	1
15.	1/4HP x 4P	Pump Motor	1
16.	W 1/4"	Socket HD Cap Screw	4
17.	W 3/16"	Round HD Cap Screw	3
18.	W 1/4"	Hex. HD Cap Screw	8
19.	B-7	6 Way Distributor	1
20.	φ 3/8"	Oil Tube	1
21.	φ 6	Aluminum Tube	1

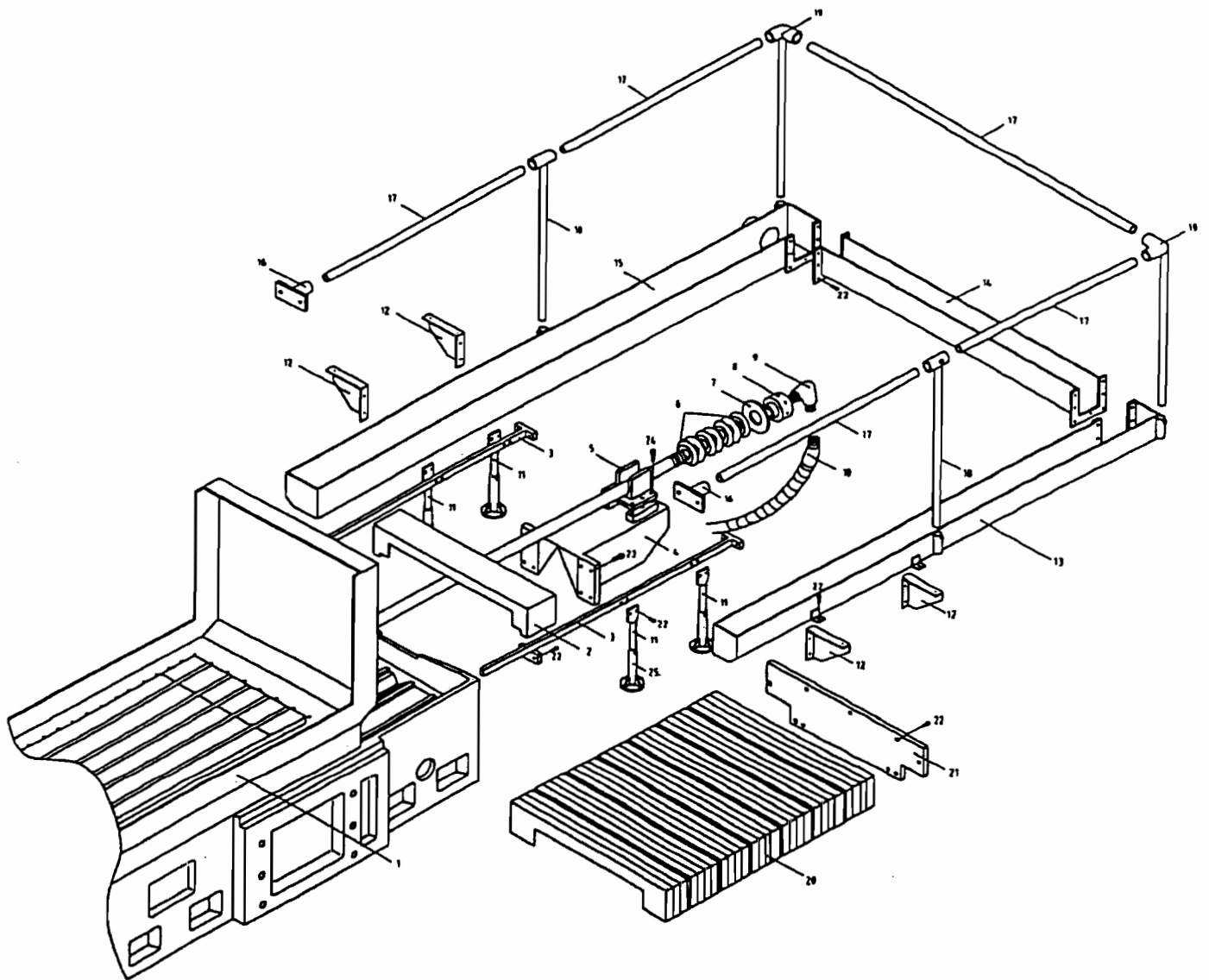
# LATERAL BEAM CONNECT COMPONENT ASS'Y



## LATERAL BEAM CONNECT COMPONENT ASS'Y

Index No.	Parts No.	Parts Name	Q'ty
1.	E69300	∩ Type Handle	3
2.	T1512-212	Operation Panel Box	1
3.	2448-134-8	Lower Sleeve	1
4.	2448-134-7	Upper Sleeve	1
5.	1512-214A-1	Connect Tube	1
6.	1512-214A	Suspensory Arm Component	1Set
7.	2448-134-2	Swivel Sleeve A	1
8.	2448-134-3	Swivel Sleeve B	1
9.	1512-223A-1	Supporting Case	1Set
10.	1512-223A-2	Guiding Trough	1Set
11.	1512-222A-1	Electric Wires Terminal Box	1
12.	1512-223A-5	Rear Cover Of Lateral Beam	1Set
13.	1512-223A-3	Veering Tube	1Set
14.	1512-223A-4	Veering Tube Guider	1
15.	1512-209	Electric Equipment Box	1
16.	T1512-422	Sliding Stick holding stand	2
17.	2512-420	Sliding Stick	2
18.	1512-421	Veering Block	2
19.	R150,1800mm	Protect Bellows	1
20.	1512-517A-1	Upper Anti-Dust Cover	2
21.	NJ-7106	Limit Switch	2
22.	T2512-517A-9	Rear Cover For Limit Switch	1
23.	T2512-517A-10	Bottom Cover	1
24.	T2512-517A-8	Side Cover	1
25.	T2512-517A-4	Side Cover	1
26.	T2512-541B	Protect Bellows Stand(R)	1
27.	T2512-517A-6	Side Cover	2
28.	T2512-526A	Steady Stand	1
29.	R150,1300mm	Protect Bellows	1
30.	T2512-540B	Protect Bellows Stand(L)	1

# BACK SUPPORTING COMPONNET ASS'Y



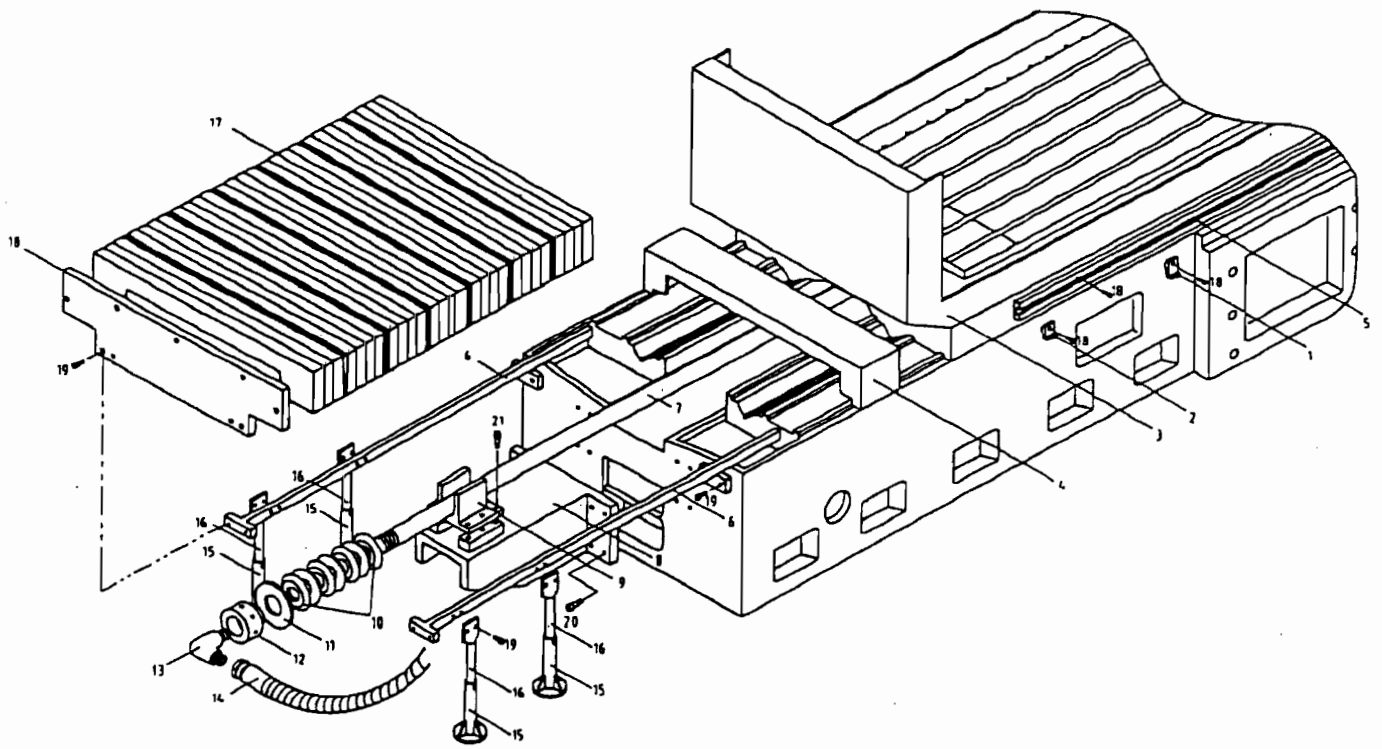
## BACK SUPPORTING COMPONNET ASS'Y

Index No.	Parts No.	Parts Name	Q'ty
1.	1512-303A	Splash Guard	1
2.	1512-312	Splash Guard adapter Plate	1
3.	1512-338A	Way Cover Guide Way	2
4.	1512-337A	Cylinder Supporting Bracket	1
5.	1512-328A	Piston Locating Bracket	1
6.	φ 125 × φ 71 × 6'	Cushion Spring	10
7.	T1512-326	Cushion Spacer	1
8.	1512-325	Adjusting Nut	1
9.	W 1-1/4"	L-Oil Adapter	1
10.	φ 1-1/4"	Hydraulic Hose	vary
11.	1512-340	Adjusting Rod	De.Len
12.	1512-353A-1	Supporting Bracket	4
13.	1512-350A	Right Coolant Collect Plate	4
14.	1512-352A	Middle Coolant Collect Plate	1
15.	1512-351A	Left Coolant Collect Plate	1
16.	1512-353A-2	Beam Connecting Bracket	1
17.	1512-353A-3	Metal Rod	2
18.	1512-353A-4	T-Supporting Rod	4
19.	1512-353A-5	Y-Supporting Rod	2
20.	1512-313C	Accordion Cover	2
21.	1512-342A	Cover Adapting plate	1
22.	W 1/4" × 1" L	Socket HD Cap Screw	1
23.	W 1/2" × 1-1/2" L	Socket HD Cap Screw	26
24.	W 5/8" × 1-1/2" L	Socket HD Cap Screw	8
25.	1512-339	Supporting Base	6
			4

## BACK SUPPORTING COMPONNET ASS'Y

Index No.	Parts No.	Parts Name	Q'ty
1.	1512-303A	Splash Guard	1
2.	1512-312	Splash Guard adapter Plate	1
3.	1512-338A	Way Cover Guide Way	2
4.	1512-337A	Cylinder Supporting Bracket	1
5.	1512-328A	Piston Locating Bracket	1
6.	φ 125 × φ 71 × 6'	Cushion Spring	10
7.	T1512-326	Cushion Spacer	1
8.	1512-325	Adjusting Nut	1
9.	W 1-1/4"	L-Oil Adapter	1
10.	φ 1-1/4"	Hydraulic Hose	vary
11.	1512-340	Adjusting Rod	De.Len
12.	1512-353A-1	Supporting Bracket	4
13.	1512-350A	Right Coolant Collect Plate	4
14.	1512-352A	Middle Coolant Collect Plate	1
15.	1512-351A	Left Coolant Collect Plate	1
16.	1512-353A-2	Beam Connecting Bracket	1
17.	1512-353A-3	Metal Rod	2
18.	1512-353A-4	T-Supporting Rod	4
19.	1512-353A-5	Y-Supporting Rod	2
20.	1512-313C	Accordion Cover	2
21.	1512-342A	Cover Adapting plate	1
22.	W 1/4" × 1" L	Socket HD Cap Screw	1
23.	W 1/2" × 1-1/2" L	Socket HD Cap Screw	26
24.	W 5/8" × 1-1/2" L	Socket HD Cap Screw	8
25.	1512-339	Supporting Base	6
			4

# FRONT SUPPORTING COMPONNET ASS'Y

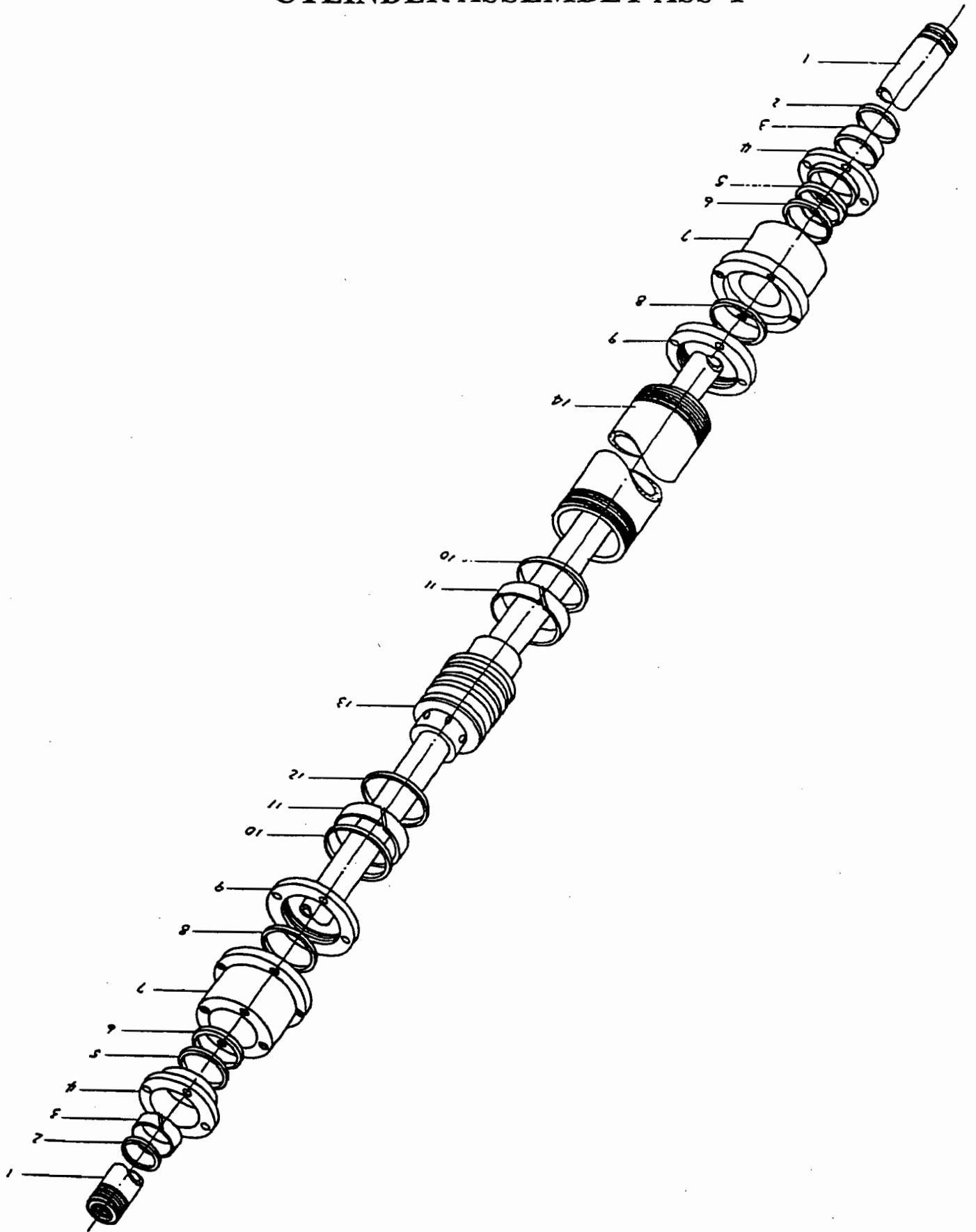


## FRONT SUPPORTING COMPONNET ASS'Y

Index No.	Parts No.	Parts Name	Q'ty
1.	2448-120	Left Adjusting Bracket (L)	1
2.	2448-119	Right Adjusting Bracket (S)	1
3.	1512-303A	Splash Guard	1
4.	1512-312	Splash Guard Adapter Plate	1
5.	1512-307	Linear Guide Plate	vary De.Len
6.	1512-338A	Way Cover Guide Way	2
7.	T1512-331--335	Cylinder Assembly	1 Set
8.	1512-337A	Cylinder Supporting Bracket	1
9.	1512-328A	Piston Locating Bracket	1
10.	ϕ 125 × ϕ 71 × 6'	Cushion Spring	10
11.	T1512-326	Cushion Spacer	1
12.	T1512-325	Adjusting Nut	1
13.	W 1-1/4"	L-Oil Adapter	1
14.	W 1-1/4"	Hydraulic Hose	vary De.Len
15.	1512-339	Supporting Base	4
16.	1512-340	Adjusting Rod	4
17.	1512-313C	Accordion Cover	1
18.	1512-342A	Cover Adapting plate	1
19.	W 1/4" × 1" L	Socket HD Cap Screw	16
20.	W 1/2" × 1-1/2" L	Socket HD Cap Screw	8
21.	W 5/8" × 1-1/2" L	Socket HD Cap Screw	6



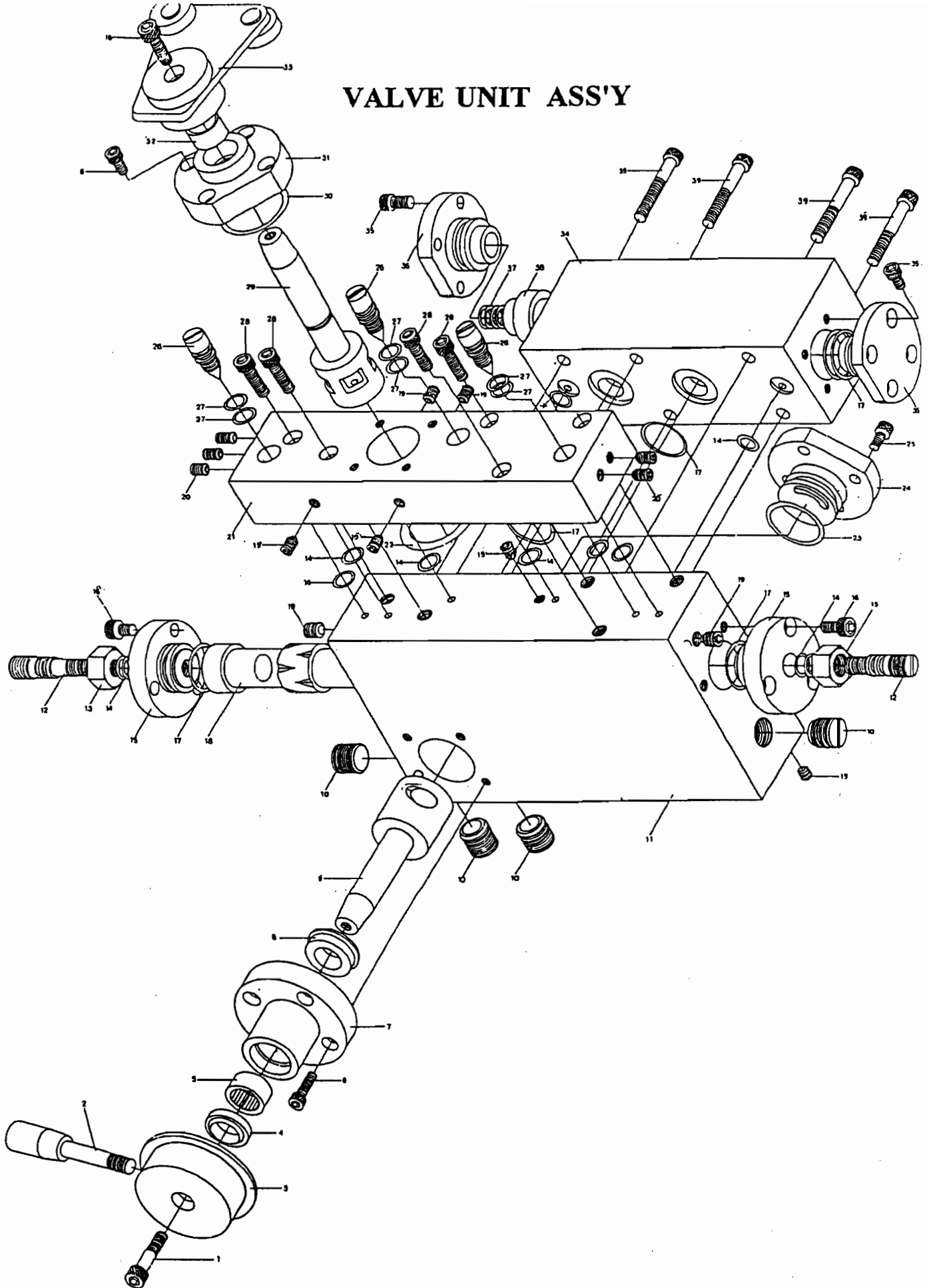
# CYLINDER ASSEMBLY ASS'Y



## CYLINDER ASSEMBLY ASS'Y

Index No.	Parts No.	Parts Name	Q'ty
1.	T1512-331	Piston Rod	2
2.	LBH 70	Dust Seal	2
3.	φ 70 × φ 75 × 15W	Wearing Ring	2
4.	T1512-329	Dust Cover	2
5.	USH 70 × 80 × 6	U Packing	2
6.	OSR 70	OS Ring	2
7.	T1512-332	Cylinder End Cover	2
8.	G95+BU	O Ring	2
9.	T1512-333	Cylinder End Nut	2
10.	φ 85 × φ 100 × 9	U Packing	2
11.	φ 85 × φ 100 × 15W	Wearing Ring	2
12.	OSP 100	OS Ring	1
13.	1512-335	Piston	1
14.	1512-334	Cylinder	1

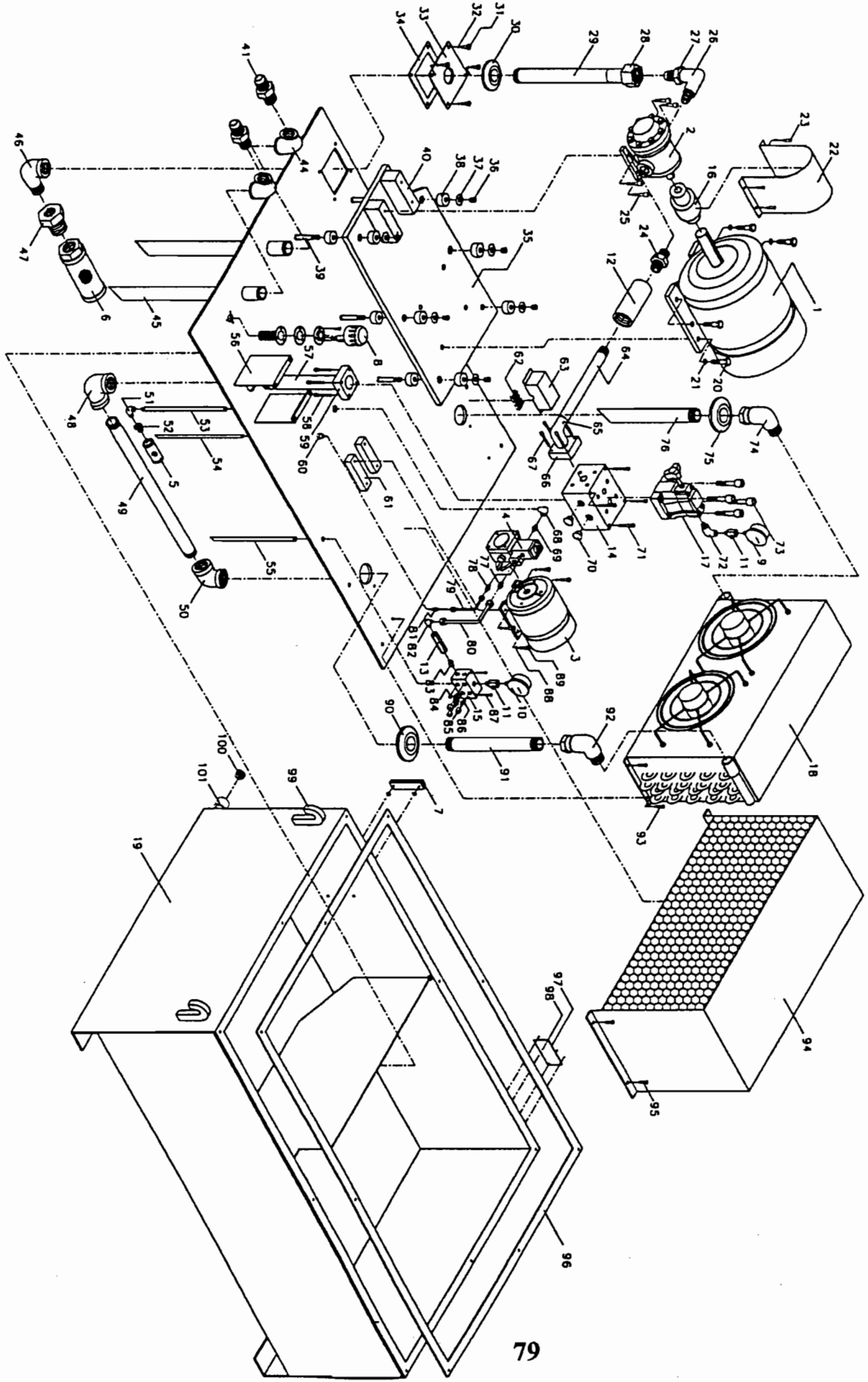
# VALVE UNIT ASS'Y



## VALVE UNIT ASS'Y

Index No.	Parts No.	Parts Name	Q'ty
1.	W 1/4" x 3/4" L	Socket Head Cap Screw	1
2.	1020-627	Flow Control Lever	1
3.	1020-620	Flow Control Knob	1
4.	UN20	U Ring	1
5.	6004	Bearing	1
6.	W 1/4" x 1/2 "L	Socket Head Cap Screw	8
7.	1512-625A	Cover Of Valve Shaft	1
8.	P42	O Ring	1
9.	1512-626B	Flow Control Shaft	1
10.	ϕ 3/8" PT	Pluge	4
11.	1512-612A	Flow Control Valve Body	1
12.	1512-617A	Valve Shaft Adjust Screw	2
13.	W 3/8"	Nut	2
14.	P8	O Ring	10
15.	1512-616A	Side Cover Of Valve Shaft	2
16.	W 1/4" x 1/2 "L	Socket Head Cap Screw	7
17.	P30, P38, P28	O Ring	Each 2
18.	1512-615B	Tip Of Valve	1
19.	ϕ 5mm x 6mm L	Socket Head Cap Screw	7
20.	W 1/16" PT	Plug	5
21.	1512-614A	Bearing Cover Of Dir. Shaft	1
22.	P41	O Ring	1
23.	P42	O Ring	1
24.	1512-627A	Rear Cover of Flow Valve	1
25.	W 1/4" x 1/2" L	Socket Head Cap Screw	4
26.	1512-609A	Adjusting Screw	3
27.	P8	O Ring	6
28.	W 1/4" x 2" L	Socket Head Cap Screw	4
29.	2448-624B	Dir. Valve Shaft	1
30.	P41	O Ring	1
31.	1512-623B	Bearing Cover Of Dir. Shaft	1
32.	UN18	U-Packing	1
33.	1512-322	Direction Control Arm	1
34.	15122-614A	Relief Valve	1
35.	W 1/4" x 1/2 " L	Socket Head Cap Screw	8
36.	1512-620A	Cover Of Relief Valve	2
37.	1512-622A	Constriction Spring Of Relief	1
38.	1512-621B	Sliding Piston Of Relief Valve	1
39.	W 1/4" x 3 1/4 "L	Socket Head Cap Screw	6

# HYDRAULIC PUMP UNIT ASS'Y



# HYDRAULIC PUMP UNIT ASS'Y

P. 10F3

Index No.	Parts No.	Parts Name	Q'ty
1.	10HP*6P	Motor (1512-2512)	1
	15HP*6P	Motor (3012)	1
	20HP*6P	Motor (4012)	1
	25HP*6P	Motor (5012-6012)	1
2.	VPNE-116-30	Pump (1512-3012)	1
	35V-38-I	Pump (4012)	1
	45V-50-I	Pump (5012-6012)	1
3.	1HP*4P	Motor	1
4.	VPVC-F12-A2-02	Pump	1
5.	SS-2-100	Oil Filter	1
6.	PS-06	Oil Filter	1
7.	LS-7"	Oil Level Indicator	1
8.	AB-1163	Cover Of Oil Fill Cover	1
9.	2-1/2"*100KG	Pressure Gauge	1
10.	2-1/2"*35KG	Pressure Gauge	1
11.	1/4"PT	Gauge Cock	2
12.	CIT-15-05-10	Check Valve	1
13.	CIT-03-05-10	Check Valve	1
14.	EM-372	Manifold Board	1
15.	EM-374	Manifold Board	1
16.	E-97	Coupling	1
17.	HRF-G06-1-10	Relief	1
18.	EM-373	Oil Cooler	1
19.	1200*900*520	Tank	1
20.	M12*40L	Hexagonal Head Screw	4
21.	SWM12	Spring Washer	4
22.		Cover Of Coupling	1
23.	M5*12L	Round Head Cap Screw	4
24.	1-1/4"PT*1-1/4"PT	Connector	1
25.	M12*30L	Socket Head Cap Screw	4
26.	1-1/2"PT*1-1/2"PT	Connector ( 90° )	1
27.	1-1/2"PS	Bushing	1
28.	1-1/2"PS	Nut	1
29.	1-1/2"PS	Zine-Plate Pipe	1
30.	ST-12	Dust Rubber	1
31.	M8*20L	Hexagonal Head Screw	4
32.	SWM8	Spring Washer	4
33.	CP-2448-1-1	Cover Nut	1

# HYDRAULIC PUMP UNIT ASS'Y

P.20F3

Index No.	Parts No.	Parts Name	Q'ty
34.	SS-1512-1-1	Asbestos Packing	1
35.	AEP-1512-1	Auxiliary Enhance Plate	1
36.	M16	Nut	12
37.	WM16	Washer	6
38.	φ 50* φ 16*25H	Rubber Pad	12
39.	M16*110L	Hexagonal Head Screw	6
40.	EM-375	Plate Pad	2
41.	1-1/4"PT*1-1/4PH	Asbestos Packing	2
42.	M12*45L	Round Head Screw	8
43.	1-1/4" with Oring-G40	Flange	2
44.	1-1/4"PT*1-1/4PT"	Connector	2
45.	1-1/4"PT*300L(Slope)	Zine-Plate Pipe	2
46.	1-1/2"PT(F)*1-1/2PT"(M)	Connector (90° )	1
47.	1-1/2"PT(F)*2PT"(M)	Bushing	1
48.	1"PT*1"PT	Connector	1
49.	1"PT	Zine-Plate Pipe	1
50.	1"PT*1"PT	Connector	1
51.	1/2"PT(F)*1/2PT"(M)	Connector (90° )	1
52.	1/2"PT(F)*3/4PT"(M)	Bushing	1
53.	1/2"PT*1/2"PT	Zine-Plate Pipe	1
54.	1/4"PT*300L(slope)	Zine-Plate Pipe	1
55.	3/8"PT*300L(slope)	Zine-Plate Pipe	1
56.	1512-HP1	Holding Plate	2
57.	1"PT	Zine-Plate Pipe	1
58.	M12*45L	Round Head Socket Cap Screw	4
59.	1-1/4" with Oring-G40	Flange	1
60.	1/4"PT*1/4"PT	Socket	1
61.	1512-MP1	Pad Of Motor	2
62.	SJT-15-3P	Terminal broad	1
63.	1512-TB1	Cover Of Terminal broad	1
64.	1-1/4"PT	Steel Pipe	1
65.		90° Pipe	1
66.	1-1/4" with Oring-G40	Flange	1
67.	M12*45L	Round Head Socket Cap Screw	4
68.	1/2"PT(F)*1/2"PT(F)	Connector (90° )	1
69.	1/2"PT*1/2"PT	Connector	1
70.	1"PT	PT Plug	2

# HYDRAULIC PUMP UNIT ASS'Y

P.30F3

Index No.	Parts No.	Parts Name	Q'ty
71.	M8*110L	Round Head Socket Cap Screw	4
72.	1/2"PT(F)*1/2"PT(M)	Connector (90° )	1
73.	M16*50L	Universal Connector (90° )	1
74.	1"PT(M)*1"PS(F)	Round Head Socket Cap Screw	4
75.	ST-08	Dust-Rubber	1
76.	1"PT*300L(Slope)	Zine-Plate Pipe	1
77.	3/4"PT* $\varphi$ 22mm	LE Connector (90° )	1
78.	1/4"PT* $\varphi$ 5/16 "	LE Copper Connector	1
79.	$\varphi$ 5/16"	Copper Pipe	1
80.	$\varphi$ 12	Zine-Plate Pipe	1
81.	1/4"PT* $\varphi$ 5/16 "	LE Copper Connector	1
82.	3/8"PT* $\varphi$ 12	LE Connector (90° )	1
83.	3/8"PT*1/4"PT	Connector	1
84.	1/4"PT	PT Plug	1
85.	1/4"PS	Plug Screw	3
86.	1/4"PT*1/4"PS	Connector	3
87.	M5*65L	Socket Head Cap Screw	2
88.	SWM8	Spring washer	4
89.	M8*20L	Hexagonal Head Screw	4
90.	ST-08	Dust Rubber	1
91.	1"PT	Zine-Plate Pipe	1
92.	1"PT(F)*1"PS(M)	Universal Connector (90° )	1
93.	M5*12L	PT Plug	4
94.	2448C1	Cover Of Cooler	1
95.	M5*12L	Round head Screw	4
96.	2448-AP1	Asbestos Packing	1
97.	2448-NP1	Name Plate	1
98.	$\varphi$ 2.5mm	Rivet	4
99.	2448-HB	Hang Bar	4
100.	1/2PT"	PT Plug	1
101.	1/2PT"	Socket	1