

GENERAL PURPOSE MOTOR
泛用型馬達

- 連續額定 Continuous Rating
- 高效率、低噪音 High Efficiency, Low Noise
- 用途廣泛 Multifunctional
- 單相馬達：電容運轉型 1 Phase: with Capacitor
- 三相馬達：連續運轉型，適合產業機械使用 3 Phase: Continuous Running, Suitable for Industrial Machinery

連續運轉型，導線式 INDUCTION MOTOR, LEAD-WIRE TYPE (6W-90W)

連續運轉型馬達構造圖 INDUCTION MOTOR CONSTRUCTION

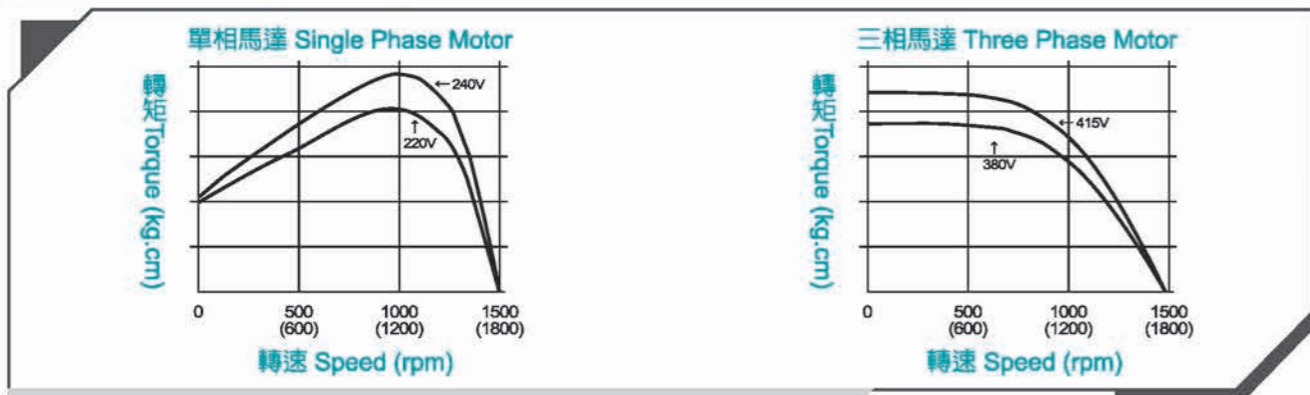
馬達筒 Motor Housing
上蓋 Top Cover
滾珠軸承 Ball Bearing
波型彈簧 Curve Spring
油封 Seal
滾珠軸承 Ball Bearing
轉子 Rotor
線圈 Coil
軸心 Motor Shaft
定子 Stator

連續運轉型，接線盒式 INDUCTION MOTOR, TERMINAL BOX TYPE (6W-90W)

接線盒構造圖 TERMINAL BOX CONSTRUCTION

端子 Terminal
端子台 Terminal Block
出口線 Lead Wires
密封連結器 Seal Coupler
橡膠墊圈 Rubber Spacer

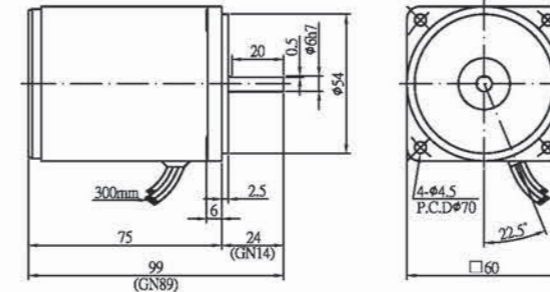
連續運轉型馬達特性圖 INDUCTION MOTOR CURVE



備註：4極馬達在頻率50Hz時，同步轉速為1500rpm。在60Hz時為1800rpm。
NOTES: At 50Hz, a 4-pole motor has synchronous turning speed of 1500rpm, 1800rpm at 60Hz.

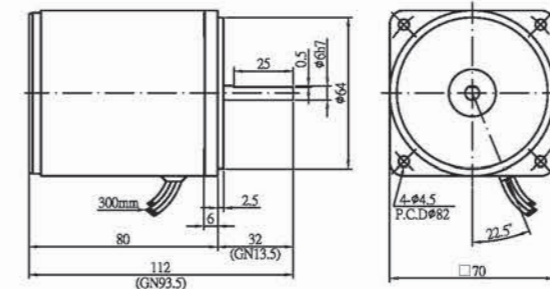
IK Series
INDUCTION MOTOR, LEAD-WIRE TYPE-IP22
感應式馬達 導線式-防護等級IP22

- 外形圖與規格表
- OUTLINE & SPECIFICATION
- 單位/UNIT: mm



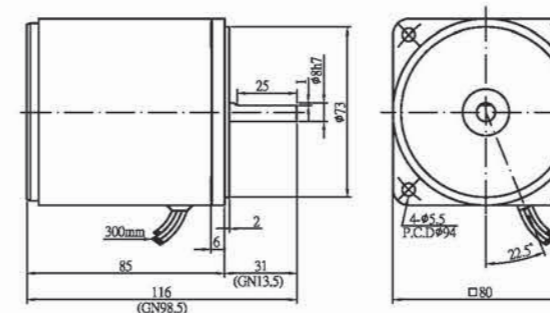
6W外型圖

6W機型MODEL	出力(W) OUTPUT	電壓(V) VOLTAGE	頻率(HZ) FREQ.	極數(P) POLE	額定轉數(rpm) RATED SPEED	額定時間 RATED TIME	起動轉矩(Kg.cm) STARTING TORQUE	額定轉矩(Kg.cm) RATED TORQUE	額定電流(A) RATED CURRENT	電容量(µF) CAPACITOR
2IK6A(GN)-A	6	1ø100/110	50/60	4	1150/1400	連續Continuous	0.70/0.63	0.51/0.41	0.22/0.21	2.5/300V
2IK6A(GN)-C	6	1ø200/220	50/60	4	1150/1550	連續Continuous	0.65/0.7	0.51/0.54	0.1/0.1	0.7/450V
2IK6A(GN)-CE	6	1ø230/240	50	4	1100/1200	連續Continuous	0.74/0.77	0.55/0.5	0.11/0.1	0.7/450V



15W外型圖

15W機型MODEL	出力(W) OUTPUT	電壓(V) VOLTAGE	頻率(HZ) FREQ.	極數(P) POLE	額定轉數(rpm) RATED SPEED	額定時間 RATED TIME	起動轉矩(Kg.cm) STARTING TORQUE	額定轉矩(Kg.cm) RATED TORQUE	額定電流(A) RATED CURRENT	電容量(µF) CAPACITY
3IK15A(GN)-A	15	1ø100/110	50/60	4	1200/1600	連續Continuous	0.88/1.04	1.22/0.91	0.36/0.35	5/300V
3IK15A(GN)-C	15	1ø200/220	50/60	4	1150/1600	連續Continuous	0.75/1.1	1.12/0.93	0.18/0.18	1.2/450V
3IK15A(GN)-CE	15	1ø230/240	50	4	1300/1300	連續Continuous	1.06/1.06	1.14/1.13	0.17/0.17	1.2/450V



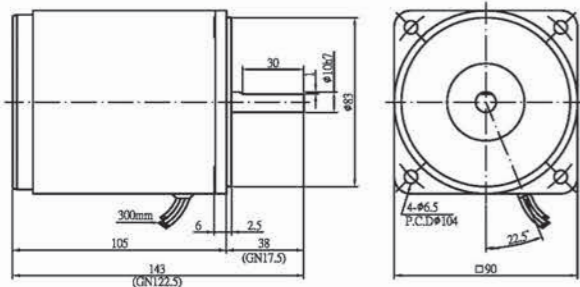
25W外型圖

25W機型MODEL	出力(W) OUTPUT	電壓(V) VOLTAGE	頻率(HZ) FREQ.	極數(P) POLE	額定轉數(rpm) RATED SPEED	額定時間 RATED TIME	起動轉矩(Kg.cm) STARTING TORQUE	額定轉矩(Kg.cm) RATED TORQUE	額定電流(A) RATED CURRENT	電容量(µF) CAPACITY
4IK25A(GN)-A	25	1ø100/110	50/60	4	1250/1600	連續Continuous	1.4/1.4	1.93/1.51	0.57/0.45	6/300V
4IK25A(GN)-C	25	1ø200/220	50/60	4	1250/1600	連續Continuous	1.57/1.38	1.91/1.52	0.28/0.25	1.5/450V
4IK25A(GN)-CE	25	1ø230/240	50	4	1300/1300	連續Continuous	1.38/1.55	1.9/1.86	0.25/0.24	1.5/450V
4IK25A(GN)-S	25	3ø220	50/60	4	1300/1550	連續Continuous	5.12/4.04	1.89/1.56	0.22/0.19	-
4IK25A(GN)-U	25	3ø380	50/60	4	1200/1350	連續Continuous	3.96/2.97	2.04/1.79	0.11/0.11	-

Products due to human error, natural disasters or other factors lead to poor or damaged, will not be covered under warranty. 產品因人為原因或天災等因素導致不良或損壞，不在保固範圍內。

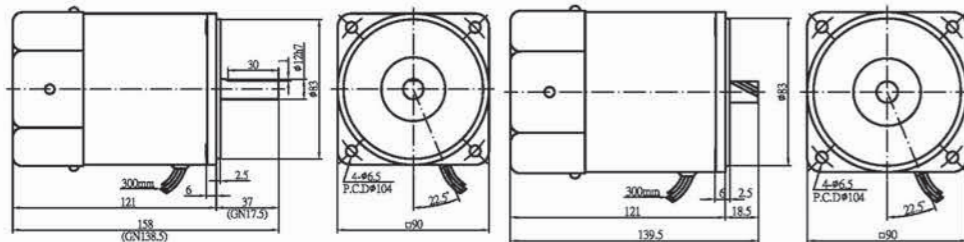
IK Series
INDUCTION MOTOR, LEAD-WIRE TYPE-IP22
感應式馬達 導線式-防護等級IP22

■ 外形圖與規格表
■ OUTLINE & SPECIFICATION
■ 單位/UNIT : mm



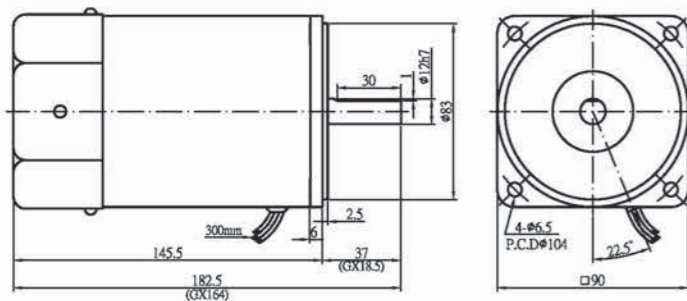
40W外型圖

40W機型MODEL	出力(W) OUTPUT	電壓(V) VOLTAGE	頻率(HZ) FREQ.	極數(P) POLE	額定轉數(rpm) RATED SPEED	額定時間 RATED TIME	起動轉矩(Kg.cm) STARTING TORQUE	額定轉矩(Kg.cm) RATED TORQUE	額定電流(A) RATED CURRENT	電容量(μF) CAPACITY
5IK40A(GN)-A	40	1ø100/110	50/60	4	1250/1600	連續Continuous	2.14/2.66	3.17/2.41	0.87/0.76	10/300V
5IK40A(GN)-C	40	1ø200/220	50/60	4	1300/1650	連續Continuous	1.75/2.17	3.01/2.35	0.4/0.34	2.5/450V
5IK40A(GN)-CE	40	1ø230/240	50	4	1350/1350	連續Continuous	2.3/2.58	2.87/2.84	0.32/0.32	2.5/450V
5IK40A(GN)-S	40	3ø220	50/60	4	1400/1600	連續Continuous	10.51/7.83	2.83/2.4	0.29/0.27	-
5IK40A(GN)-U	40	3ø380	50/60	4	1350/1600	連續Continuous	9.25/6.68	2.85/2.45	0.16/0.15	-



60W/
60W-GX外型圖

60W/60W-GX機型MODEL	出力(W) OUTPUT	電壓(V) VOLTAGE	頻率(HZ) FREQ.	極數(P) POLE	額定轉數(rpm) RATED SPEED	額定時間 RATED TIME	起動轉矩(Kg.cm) STARTING TORQUE	額定轉矩(Kg.cm) RATED TORQUE	額定電流(A) RATED CURRENT	電容量(μF) CAPACITY
5IK60A(GN, GX)-AF	60	1ø100/110	50/60	4	1200/1650	連續Continuous	2.6/2.94	5.0/3.5	1.8/1.12	16/300V
5IK60A(GN, GX)-CF	60	1ø200/220	50/60	4	1250/1600	連續Continuous	3.62/4.41	4.64/3.63	0.64/0.54	4/450V
5IK60A(GN, GX)-CEF	60	1ø230/240	50	4	1300/1350	連續Continuous	4.14/5.22	4.56/4.4	0.56/0.55	4/450V
5IK60A(GN, GX)-SF	60	3ø220	50/60	4	1300/1550	連續Continuous	13.72/10.70	4.47/3.77	0.41/0.39	-
5IK60A(GN, GX)-UF	60	3ø380	50/60	4	1400/1550	連續Continuous	14.33/10.15	4.2/3.79	0.21/0.22	-

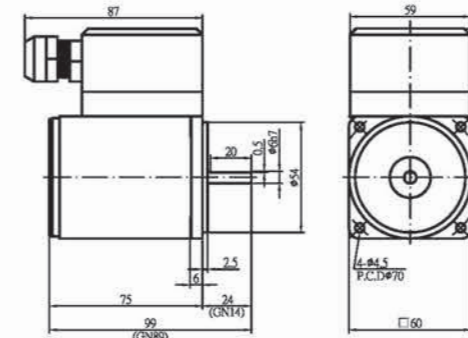


90W外型圖

90W機型MODEL	出力(W) OUTPUT	電壓(V) VOLTAGE	頻率(HZ) FREQ.	極數(P) POLE	額定轉數(rpm) RATED SPEED	額定時間 RATED TIME	起動轉矩(Kg.cm) STARTING TORQUE	額定轉矩(Kg.cm) RATED TORQUE	額定電流(A) RATED CURRENT	電容量(μF) CAPACITY
5IK90A(GX)-AF	90	1ø100/110	50/60	4	1300/1650	連續Continuous	4.76/5.86	6.68/5.33	1.5/1.41	22/250V
5IK90A(GX)-CF	90	1ø200/220	50/60	4	1300/1650	連續Continuous	4.3/4.21	6.89/5.34	0.76/0.72	5/450V
5IK90A(GX)-CEF	90	1ø230/240	50	4	1350/1350	連續Continuous	4.93/5.08	6.44/6.42	0.66/0.68	5/450V
5IK90A(GX)-SF	90	3ø220	50/60	4	1400/1650	連續Continuous	23.3/18.25	6.4/5.3	0.7/0.6	-
5IK90A(GX)-UF	90	3ø380	50/60	4	1400/1650	連續Continuous	23.3/18.14	6.3/5.3	0.4/0.3	-

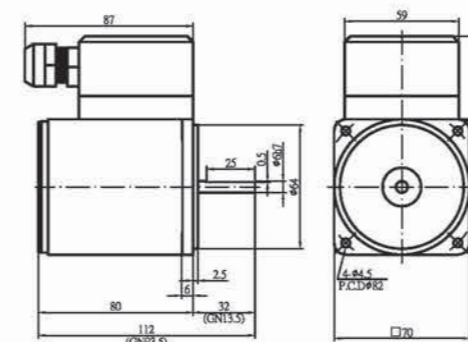
IK Series
INDUCTION MOTOR, TERMINAL BOX TYPE-IP54
感應式馬達 接線盒式-防護等級IP54

■ 外形圖與規格表
■ OUTLINE & SPECIFICATION
■ 單位/UNIT : mm



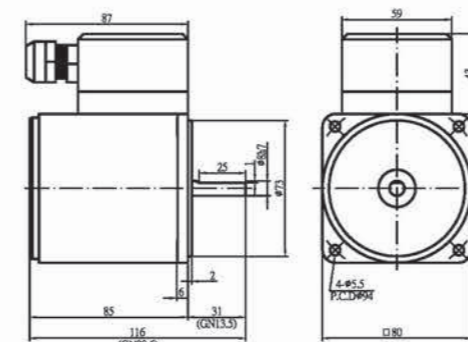
6W外型圖

6W機型MODEL	出力(W) OUTPUT	電壓(V) VOLTAGE	頻率(HZ) FREQ.	極數(P) POLE	額定轉數(rpm) RATED SPEED	額定時間 RATED TIME	起動轉矩(Kg.cm) STARTING TORQUE	額定轉矩(Kg.cm) RATED TORQUE	額定電流(A) RATED CURRENT	電容量(μF) CAPACITY
2IK6A(GN)-AT	6	1ø100/110	50/60	4	1150/1400	連續Continuous	0.7/0.63	0.5/0.41	0.22/0.21	2.5/300V
2IK6A(GN)-CT	6	1ø200/220	50/60	4	1150/1550	連續Continuous	0.65/0.7	0.51/0.54	0.1/0.1	0.7/450V
2IK6A(GN)-CET	6	1ø230/240	50	4	1100/1200	連續Continuous	0.74/0.77	0.55/0.5	0.11/0.1	0.7/450V



15W外型圖

15W機型MODEL	出力(W) OUTPUT	電壓(V) VOLTAGE	頻率(HZ) FREQ.	極數(P) POLE	額定轉數(rpm) RATED SPEED	額定時間 RATED TIME	起動轉矩(Kg.cm) STARTING TORQUE	額定轉矩(Kg.cm) RATED TORQUE	額定電流(A) RATED CURRENT	電容量(μF) CAPACITY
3IK15A(GN)-AT	15	1ø100/110	50/60	4	1150/1650	連續Continuous	0.88/1.04	1.22/0.91	0.36/0.35	5/300V
3IK15A(GN)-CT	15	1ø200/220	50/60	4	1150/1600	連續Continuous	0.75/1.1	1.12/0.93	0.18/0.18	1.2/450V
3IK15A(GN)-CET	15	1ø230/240	50	4	1300/1300	連續Continuous	1.06/1.06	1.14/1.13	0.17/0.17	1.2/450V



25W外型圖

25W機型MODEL	出力(W) OUTPUT	電壓(V) VOLTAGE	頻率(HZ) FREQ.	極數(P) POLE	額定轉數(rpm) RATED SPEED	額定時間 RATED TIME	起動轉矩(Kg.cm) STARTING TORQUE	額定轉矩(Kg.cm) RATED TORQUE	額定電流(A) RATED CURRENT	電容量(μF) CAPACITY
4IK25A(GN)-AT	25	1ø100/110	50/60	4	1250/1600	連續Continuous	1.4/1.4	1.93/1.51	0.57/0.45	6/300V
4IK25A(GN)-CT	25	1ø200/220	50/60	4	1250/1600	連續Continuous	1.57/1.38	1.91/1.52	0.28/0.25	1.5/450V
4IK25A(GN)-CET	25	1ø230/240	50	4	1300/1300	連續Continuous	1.38/1.55	1.9/1.86	0.25/0.24	1.5/450V
4IK25A(GN)-ST	25	3ø220	50/60	4	1300/1550	連續Continuous	5.12/4.04	1.89/1.56	0.22/0.19	-
4IK25A(GN)-UT	25	3ø380	50/60	4	1200/1350	連續Continuous	3.96/2.97	2.04/1.79	0.11/0.11	-

Products due to human error, natural disasters or other factors lead to poor or damaged, will not be covered under warranty. 產品因人為原因或天災等因素導致不良或損壞, 不在保固範圍內。

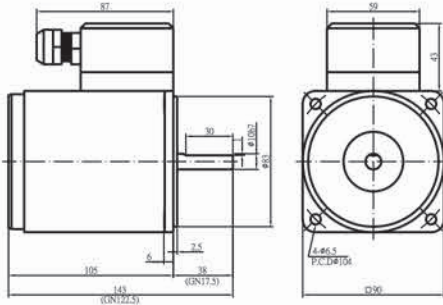
GENERAL PURPOSE MOTOR
通用型馬達
CONTROLLER
控制單元
INDUCTION MOTOR
感應式馬達
SPEED REDUCER MOTOR
減速馬達
TRIPROTECTOR MOTOR
三相保護馬達
SEPARATOR MOTOR
分離馬達
SPECIAL MOTOR
特殊馬達
SPECIAL MOTOR
特殊馬達
SPECIAL MOTOR
特殊馬達

IK Series

INDUCTION MOTOR, TERMINAL BOX TYPE-IP54

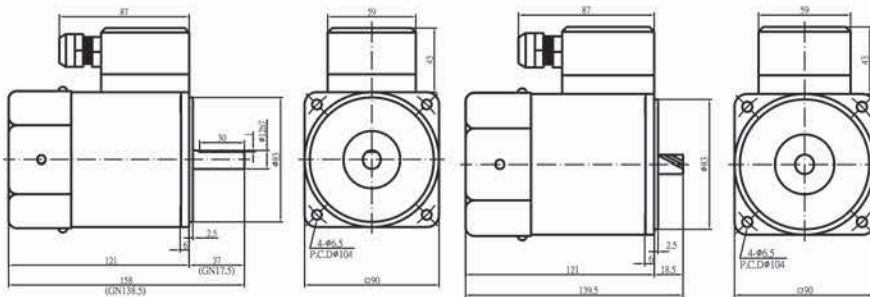
感應式馬達 接線盒式-防護等級IP54

- 外形圖與規格表
- OUTLINE & SPECIFICATION
- 單位/UNIT : mm



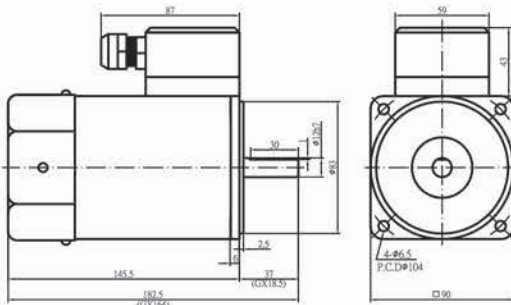
40W外型圖

40W機型MODEL	出力(W) OUTPUT	電壓(V) VOLTAGE	頻率(HZ) FREQ.	極數(P) POLE	額定轉數(rpm) RATED SPEED	額定時間 RATED TIME	起動轉矩(Kg.cm) STARTING TORQUE	額定轉矩(Kg.cm) RATED TORQUE	額定電流(A) RATED CURRENT	電容量(μF) CAPACITY
5IK40A(GN)-AT	40	1ø100/110	50/60	4	1250/1600	連續Continuous	2.14/2.66	3.17/2.41	0.87/0.76	10/300V
5IK40A(GN)-CT	40	1ø200/220	50/60	4	1300/1650	連續Continuous	1.75/2.17	3.01/2.35	0.4/0.34	2.5/450V
5IK40A(GN)-CET	40	1ø230/240	50	4	1350/1350	連續Continuous	2.3/2.58	2.87/2.84	0.32/0.32	2.5/450V
5IK40A(GN)-ST	40	3ø220	50/60	4	1400/1600	連續Continuous	10.51/7.83	2.83/2.4	0.29/0.27	-
5IK40A(GN)-UT	40	3ø380	50/60	4	1350/1600	連續Continuous	9.25/6.68	2.85/2.45	0.16/0.15	-



60W/
60W-GX外型圖

60W/60W-GX機型MODEL	出力(W) OUTPUT	電壓(V) VOLTAGE	頻率(HZ) FREQ.	極數(P) POLE	額定轉數(rpm) RATED SPEED	額定時間 RATED TIME	起動轉矩(Kg.cm) STARTING TORQUE	額定轉矩(Kg.cm) RATED TORQUE	額定電流(A) RATED CURRENT	電容量(μF) CAPACITY
5IK60A(GN, GX)-AFT	60	1ø100/110	50/60	4	1200/1650	連續Continuous	2.6/2.94	5.0/3.5	1.8/1.12	16/300V
5IK60A(GN, GX)-CFT	60	1ø200/220	50/60	4	1250/1600	連續Continuous	3.62/4.41	4.64/3.63	0.64/0.54	4/450V
5IK60A(GN, GX)-CEFT	60	1ø230/240	50	4	1350/1350	連續Continuous	4.14/5.22	4.56/4.4	0.56/0.55	4/450V
5IK60A(GN, GX)-SFT	60	3ø220	50/60	4	1300/1550	連續Continuous	13.72/10.70	4.47/3.77	0.41/0.39	-
5IK60A(GN, GX)-UFT	60	3ø380	50/60	4	1400/1550	連續Continuous	14.33/10.15	4.2/3.79	0.21/0.22	-



90W外型圖

90W機型MODEL	出力(W) OUTPUT	電壓(V) VOLTAGE	頻率(HZ) FREQ.	極數(P) POLE	額定轉數(rpm) RATED SPEED	額定時間 RATED TIME	起動轉矩(Kg.cm) STARTING TORQUE	額定轉矩(Kg.cm) RATED TORQUE	額定電流(A) RATED CURRENT	電容量(μF) CAPACITY
5IK90A(GX)-AFT	90	1ø100/110	50/60	4	1300/1650	連續Continuous	4.76/5.86	6.68/5.33	1.5/1.41	22/250V
5IK90A(GX)-CFT	90	1ø200/220	50/60	4	1300/1650	連續Continuous	4.3/4.21	6.89/5.34	0.76/0.72	5/450V
5IK90A(GX)-CEFT	90	1ø230/240	50	4	1350/1350	連續Continuous	4.93/5.08	6.44/6.42	0.66/0.68	5/450V
5IK90A(GX)-SFT	90	3ø220	50/60	4	1400/1650	連續Continuous	23.3/18.25	6.4/5.3	0.7/0.6	-
5IK90A(GX)-UFT	90	3ø380	50/60	4	1400/1650	連續Continuous	23.3/18.14	6.3/5.3	0.4/0.3	-

Products due to human error, natural disasters or other factors lead to poor or damaged, will not be covered under warranty. 產品因人為原因或天災等因素導致不良或損壞，不在保固範圍內。