

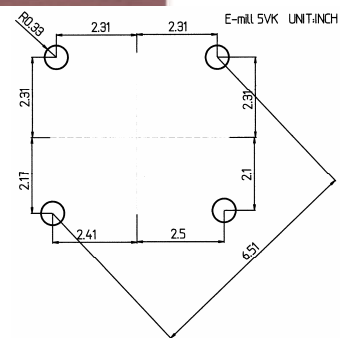
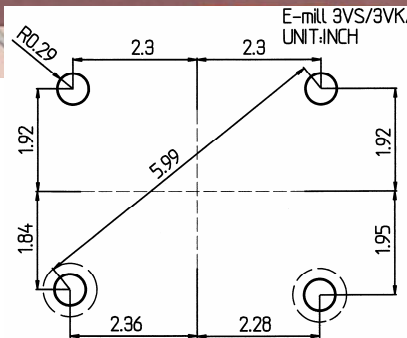
GO E-mill™

A Trouble Free Mill



10 Great Reasons To GO E-MILL™

- 3 HP "Baldor" High Efficient Motor For High Torque Output
- C.N.C.Vector Type A.C. Frequency Drive
- Infinite 0-4500 RPM Constant Spindle Speed, Change In No Time (0-4 Sec.)
- Machine Can Run On Single or Three Phase Without Changing The Wiring
- Low Maintenance & Down Time Cost Because No Plastic Insert, Key & Moving Pulley
- No R.P.M. Changer Break Down, But Accurate Reading On R.P.M. To Prolong Tool Life
- Electronic & Mechanical Brake For Fast Spindle Stop
- No Belt Slippage For High Efficient Torque Output
- Boring & Tapping Application
- Save Energy Costs Up To 35%



Part #: MO 380
Head for 3VS/3VK/3VKH
 Original Price: ~~\$4,500~~
Sale Price: \$3,960

Part #: MO 360
Head for 5VK
 Original Price: ~~\$5,600~~
Sale Price: \$4,650
 Add \$400 for 440V