

CE



MODEL
NO.

EVS-3VSII

WORKING
TABLE
SIZE

9"*49"

VOLTAGE
RUM

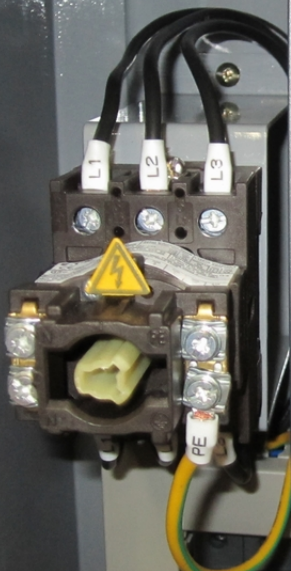
480V

NO.0000

N14040193

CE 機台





TOSHIBA

RUN PRG MON

8888 % Hz

RUN STOP

EASY MODE

VF-S15

3PH-380/500V-3.7/4.0kW/5HP

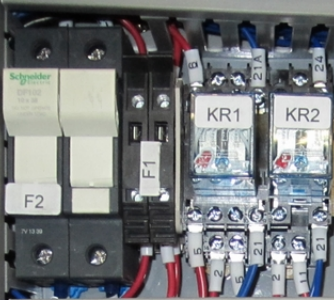
警告

付が、燃焼、火災の恐れがあります。
・取扱説明書に従って正しく設置してください。
・電源線および接地線は、必ず接地端子に1-1を確実に接続してください。
・確実に接地を行ってください。

⚠ DANGER

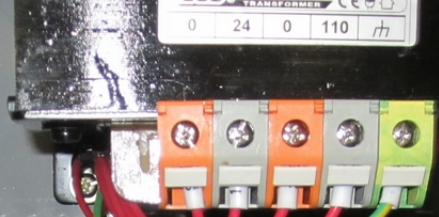
Risk of injury electric shock or fire.
• Read the instruction manual.
• Do not open the cover while power is applied or for 15 minutes after power has been removed.
• Ensure proper earth connection.



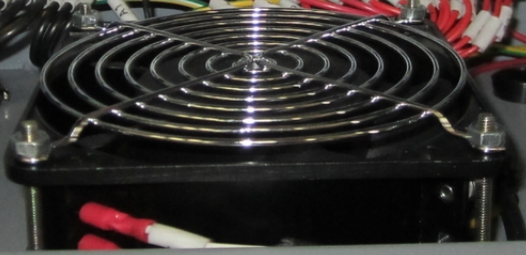


0	380	440	480	±
MODEL NO. LCP- TBSM-100800				
FRE.	50/60	HZ	PRO NO.	YH-436
CAPACITY.	800	VA	PHASE.	1 <input checked="" type="checkbox"/>
PRI.	0/380/440/480		V	<input checked="" type="checkbox"/>
SEC.	0/24 0/110		V	<input checked="" type="checkbox"/>
WEIGHT.		KG	IP.	IP00
SER NO.	0466	DATE.	2014.04	
LCP TRANSFORMER				
0	24	0	110	m

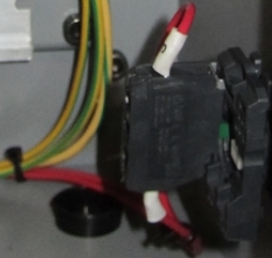


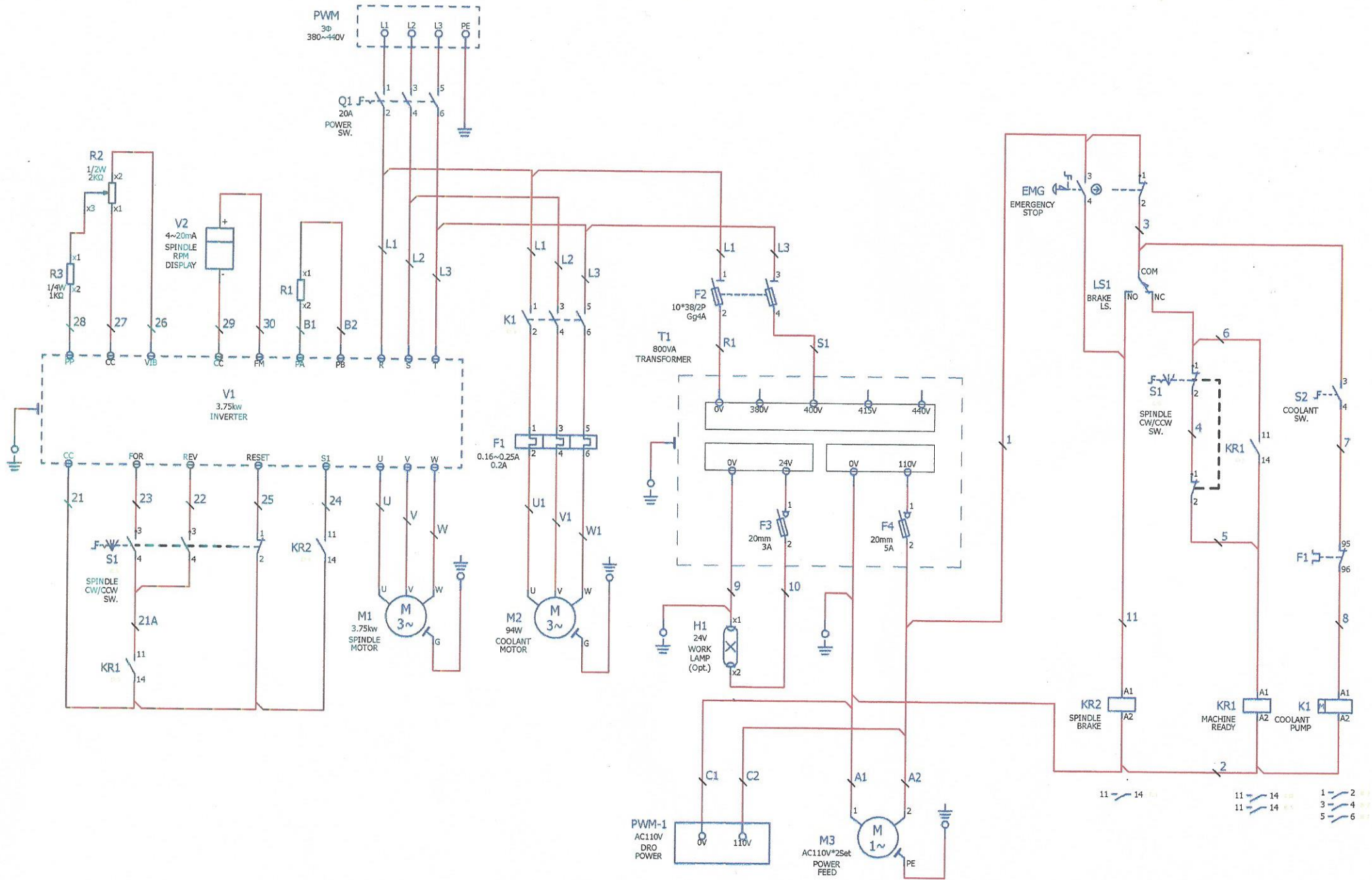


0	24	0	110	h
---	----	---	-----	---



435
V
V
04
m





Machine Model	Designaion Standard	Title Paeg	ACER	Pagintion
3VSII	CE-VS	VS UNIT	2014/4/25 Rgf: 10.95	1
				Paeg 1