



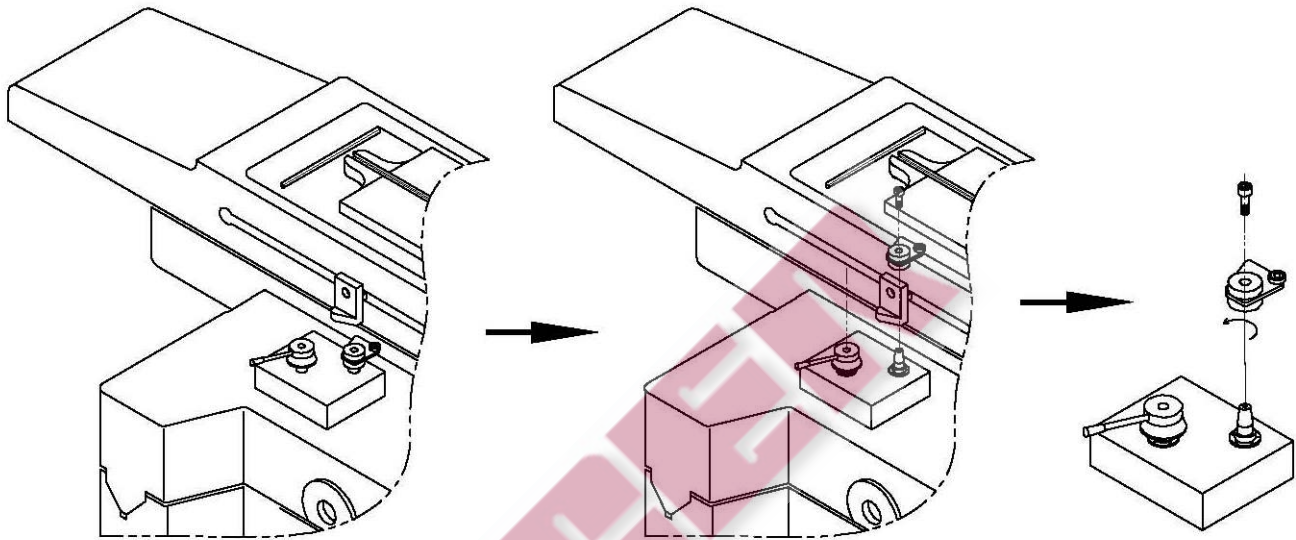
Springwood Industrial, Inc.
1062 N. Kraemer Place
Anaheim, CA 92806
Tel: 714-632-9701 Fax: 714-632-9730
<http://www.aceronline.net>

info@acergroup.com

Klim Industrial, Inc.
244 N. Randolphville Road
Piscataway, NJ 08854
Tel: 732-752-9100 Fax: 732-752-9101
<http://www.aceronline.net>

acer_klim@yahoo.com

PROCEDURE TO ADJUST THE DIRECTION CONTROL ARM



Problem: Table speed, one side normal, other side slow (uneven speed)

Cause: Direction Control Arm is off position

Step 1. Move table manually to slow side. Move table automatically slowly until the Dog touches the Direction Control Arm. Stop table right away (when table try to reverse). Make a mark on the Direction Control Arm position.

Step 2. Loose the hex nut screw on top of Direction Control Arm.

Step 3. Use a piece of block and wrench underneath of the Direction Control Arm to pop the Direction Control Arm up. Make sure the Direction Control Arm and shaft position are not moving, (Pop the Direction Control Arm straight up).

Step 4. Turn the Direction Control Arm counterclockwise a little bit, then tighten down the hex nut screw when table movement slow on left hand side. Vice versa (turn clockwise on right hand side).

Step 5. Use trial and error if need to do 2 or 3 times with the same steps.