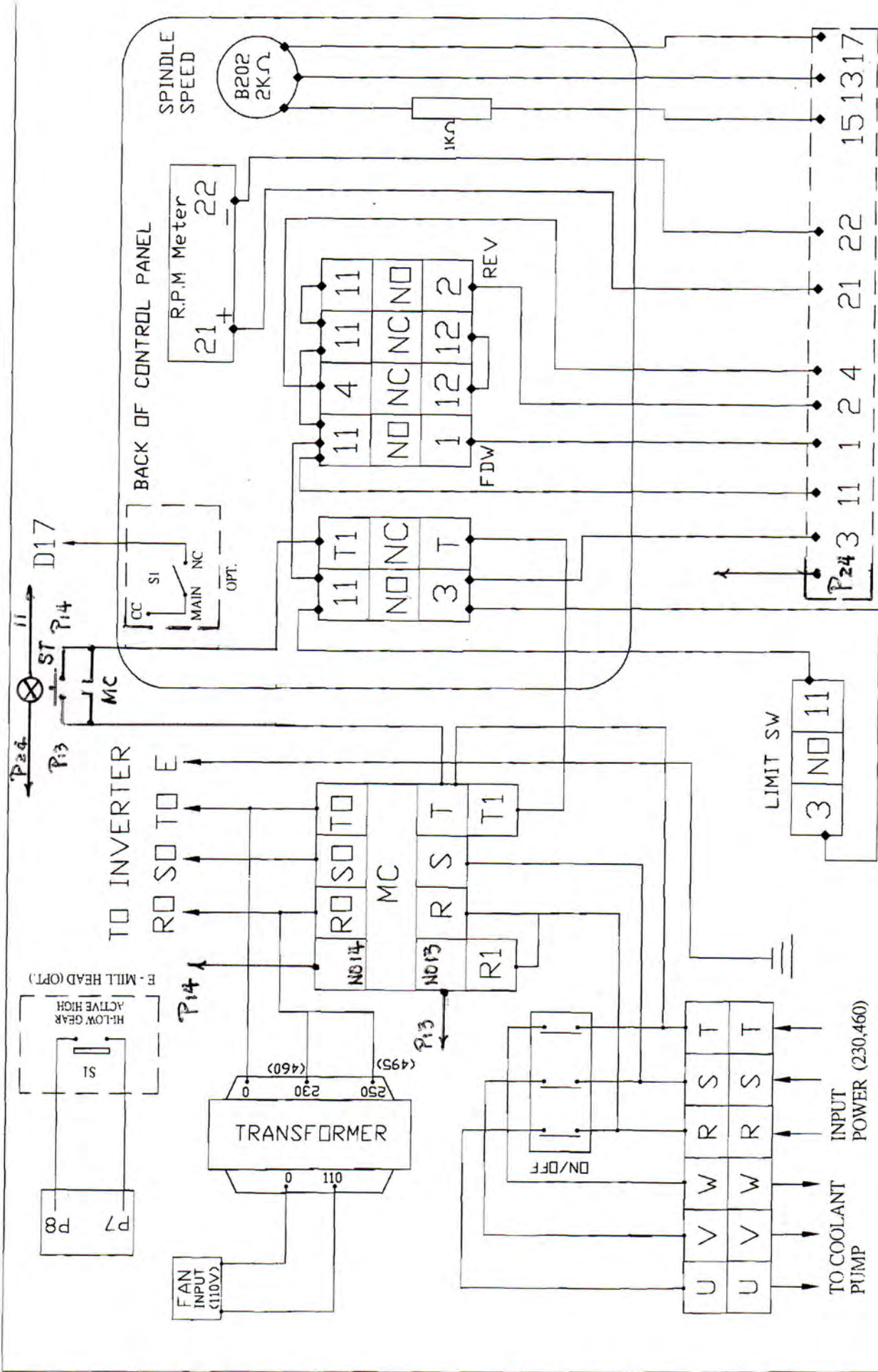
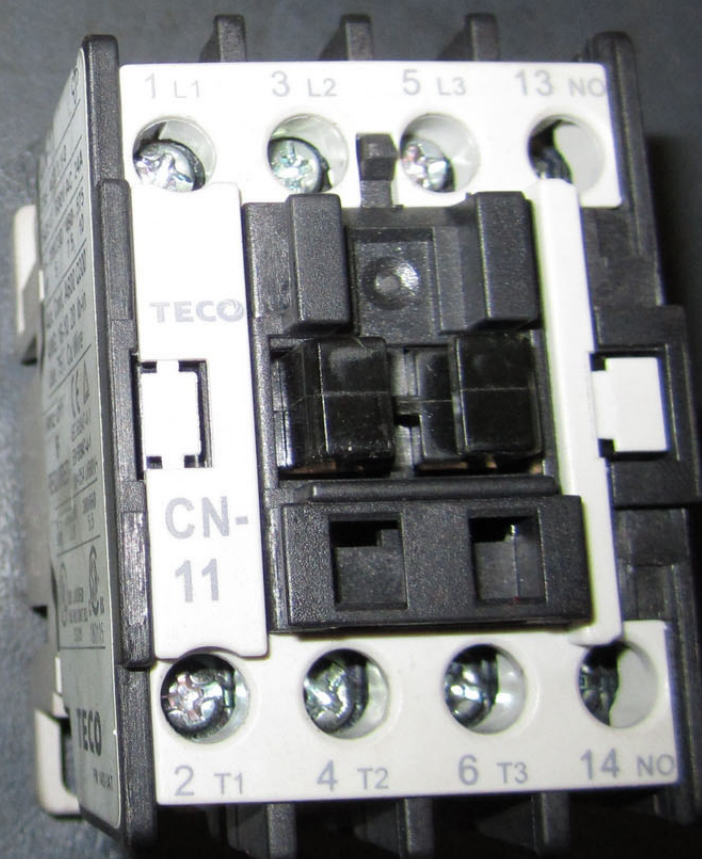


# TOSHIBA S7,S9 WIRING DIAGRAM



TO TERMINAL BOARD OF S7 INVERTER





**Please Specify the Power for the contactor**