



GROUP

Springwood Industrial, Inc.
1062 N. Kraemer Place
Anaheim, CA 92806
TEL: 714-632-9701
FAX: 714-632-9730
WEB: www.acergroup.com

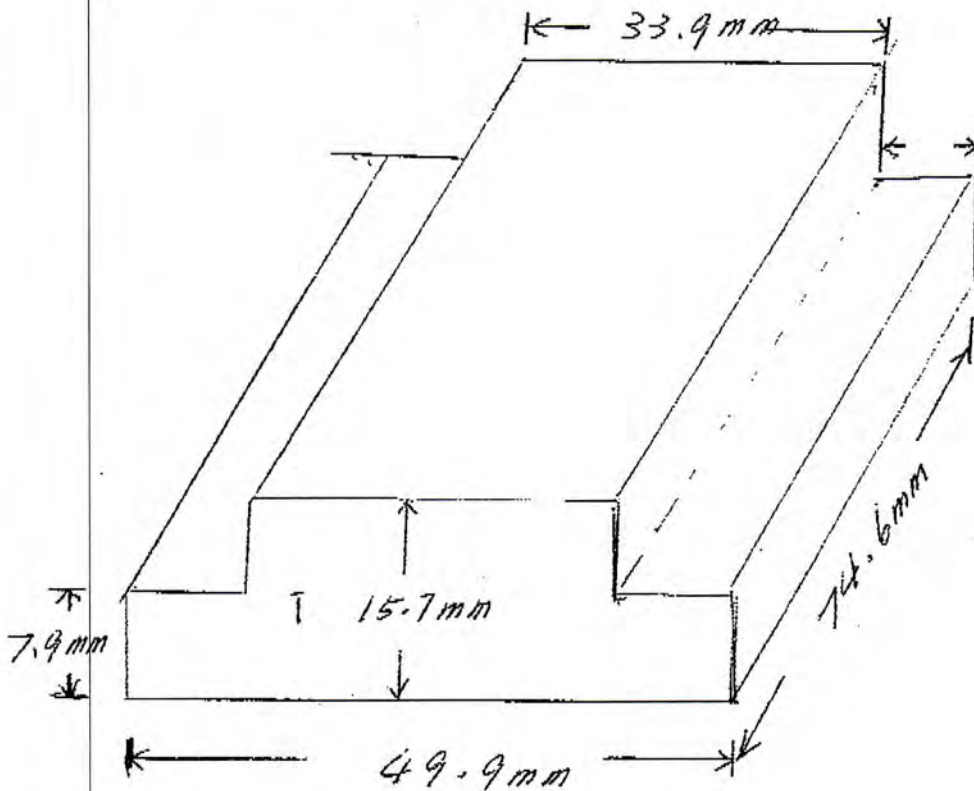
Fax To: Aloris Tool Technology CO. Date: 09/10/03

Attn: CUSTOMER SERVICE From: Jeremy

Fax 973-772-3606

Total number of pages including this transmittal letter : 1

Subject : ACER Z-Lathe 1440V (New model) &
ACER DYNAMIC 1340G



4 F

SPRINGWOOD INDUSTRIAL, INC.

1062 North Kraemer Place
Anaheim, CA 92806-2610
Tel: 714-632-9701
Fax: 714-632-9730

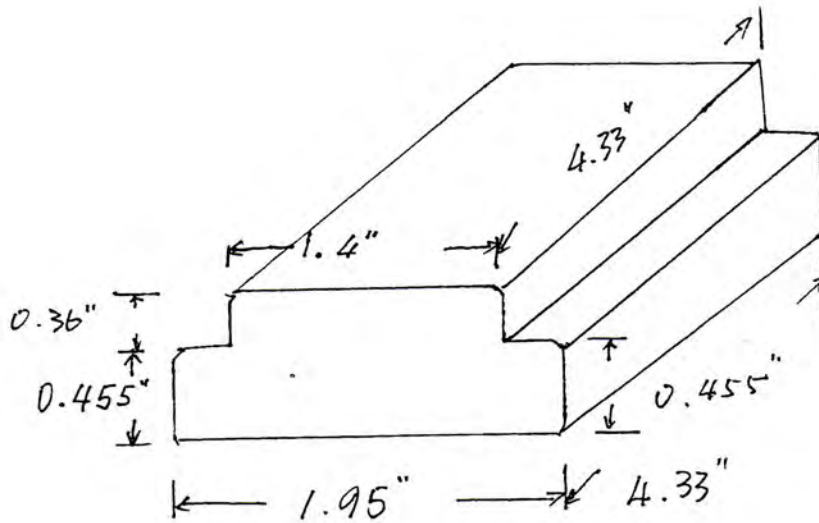
FAX TO: DORIAN TOOL INTERNATIONAL DATE: _____

ATTN: JACKIE / 979-282-2951 FROM: _____

TOTAL NUMBER OF PAGES INCLUDING THIS TRANSMITTAL LETTERS: 1

SUBJECT:

17" SERIES T-slot plate



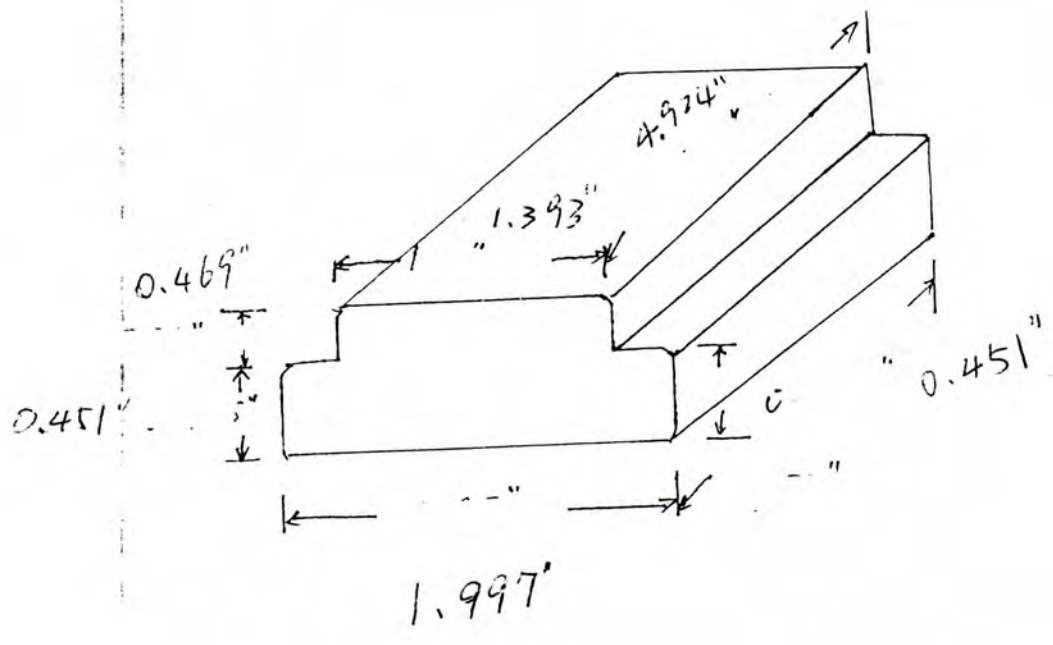
SPRINGWOOD INDUSTRIAL, INC.
1062 North Kraemer Place
Anaheim, CA 92806-2610
Tel: 714-632-9701
Fax: 714-632-9730

FAX TO: DORIAN DATE: _____

ATTN: ~~XXXXXXXXXXXXXXXXXXXX~~ FROM: _____

TOTAL NUMBER OF PAGES INCLUDING THIS TRANSMITTAL LETTERS: _____

SUBJECT: 21"
T-slot plate



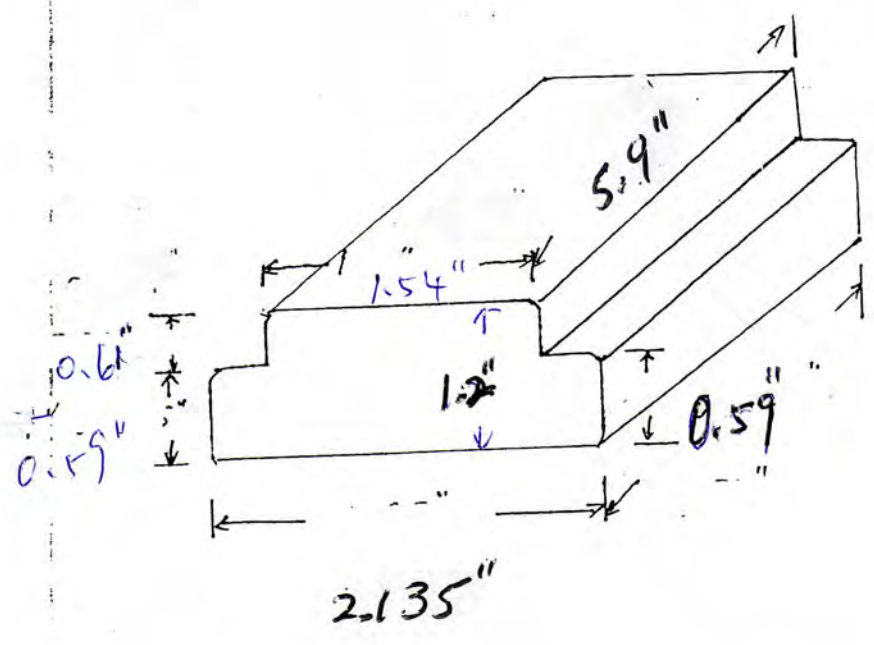
SPRINGWOOD INDUSTRIAL, INC.
1062 North Kraemer Place
Anaheim, CA 92806-2610
Tel: 714-632-9701
Fax: 714-632-9730

FAX TO: DORIAN 979-282-2951 DATE: _____

ATTN: Jackie FROM: Jeremy

TOTAL NUMBER OF PAGES INCLUDING THIS TRANSMITTAL LETTERS: _____

SUBJECT: 33"
T-slot plate



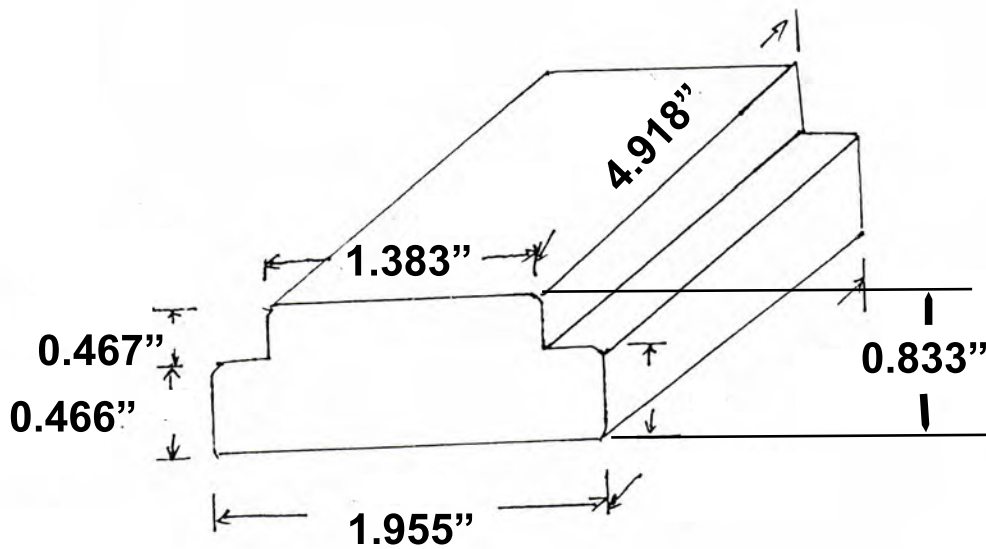


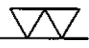
FAX TO: **Aloris** _____ DATE: _____

ATTN: _____ FROM: _____

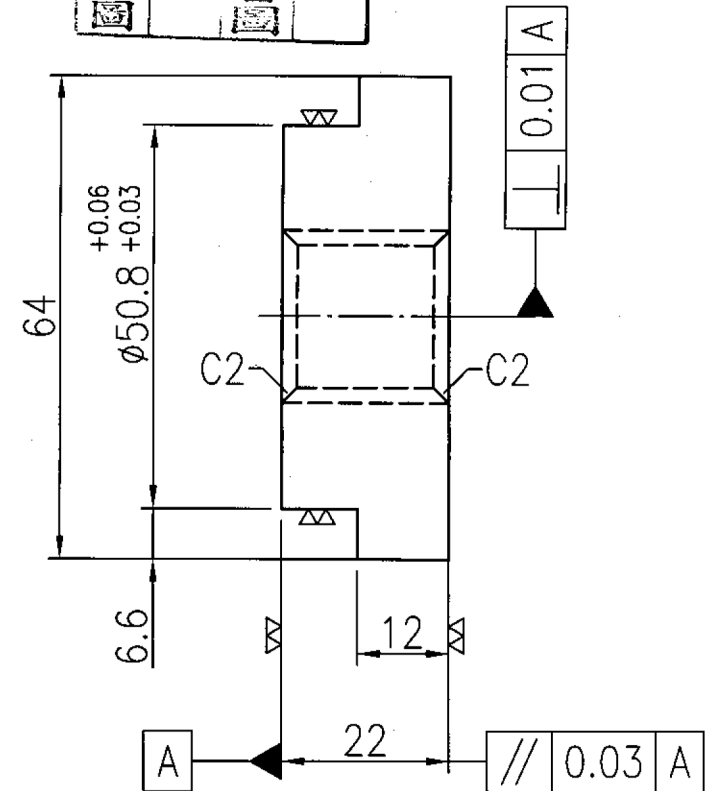
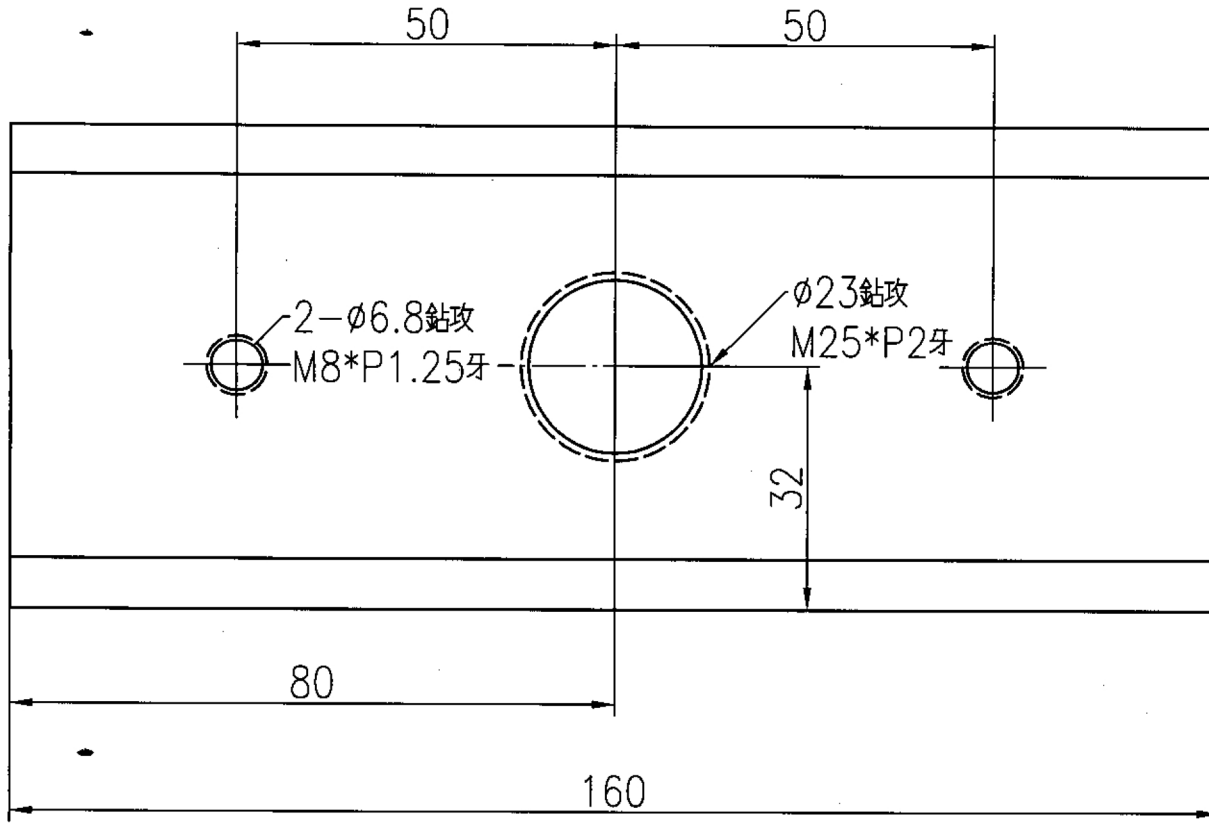
TOTAL NUMBER OF PAGES INCLUDING THIS TRANSMITTAL LETTERS: _____

SUBJECT: **E-Lathe 21" SeriesV T-Slot Plate**



未註明倒角C0.5 

設計出圖章
98.10.26
新圖 舊圖



				加工符號	表面粗度值(Ra)	一般公差	審核	日期		表面處理	*	機種	CH-600,740			
					0.01-0.20	<6 ±0.1	繪圖	陳淑琴	日期	97.02.18	材質	SS41				
					0.25-1.60	>6 ±0.2	設計		日期		加工		圖名	T型塊		
					2.0-6.3	>30 ±0.3							數量	1/台	圖號	11S-40460
					8.0-2.5	>120 ±0.5							比例	1:1	組立	
編號	更改內容	日期	更改者		32-125	>315 ±0.8							單位	mm	圖號	*
					>1000 ±1.2	>2400 ±1.5										