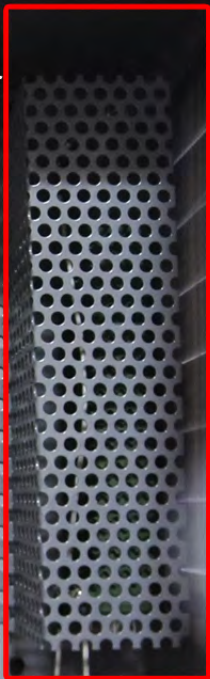


To change E-mill with Toshiba S11
Inverter from 220V to 440V

Change the Inverter and Resistor



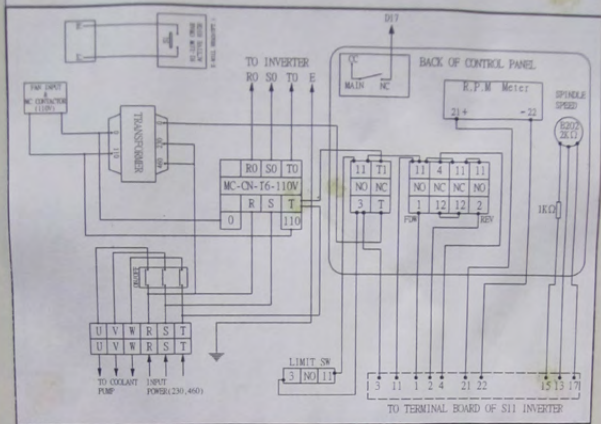
Re tap the Transformer to 440V
*** Make sure Contactor is 110V ***

For wiring 220V:
Connect together
4 groups:
(U1 & U2), (V1 & V2), (W1 & W2),
and (X, Y, & Z)
Connect R, S, T
Power into U1, V1,
W1



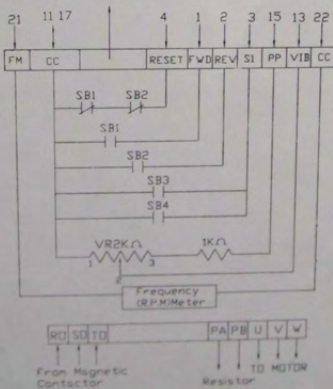
For wiring 440V:
Connect together 6
groups:
(U2 & X), (V2 & Y),
(W2 & Z) &
Connect to power
R,S,T:
(R & U1), (S & V1),
(T & W1)

TOSHIBA S11 WIRING DIAGRAM



TOSHIBA

Terminal Board Of S7, S9, S11 Inverter



The Circuit diagram