

# Replace your Bridgeport-type head

w/ a brand new **ACER** Trouble Free Inverter Drive

**E-mill™** Head

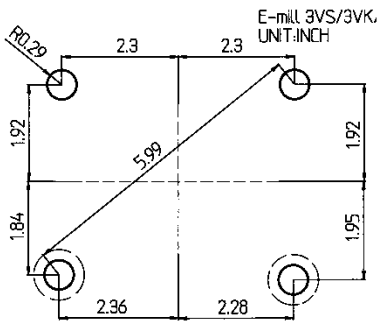
for only **\$3,800!!**

with one year warranty on parts

Match the hole pattern below: (fits Bridgeport and most Taiwanese imports)

Reach us at: Springwood- [info@acergroup.com](mailto:info@acergroup.com) ☎ 714-871-5558

Klim- [acer\\_klim@yahoo.com](mailto:acer_klim@yahoo.com) ☎ 732-752-9100



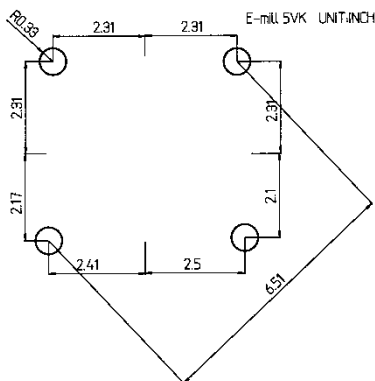
**3HP R-8 Spindle**

**0-4500 RPM**

**Part #: MO 380**

**Original Price: \$4,500**

**Sale Price: \$3,800**



**5HP NST 40 Spindle**

**0-3650 RPM**

**Part #: MO 360**

**Original Price: \$5,600**

**Sale Price: \$4,500**



**Specify Bridgeport  
gray or ACER color!**

**Electrical Cabinet  
With Inverter &  
Resistor Included**

**Add \$400 for 440V  
for all models**

**ACER**

[www.aceronline.net](http://www.aceronline.net)