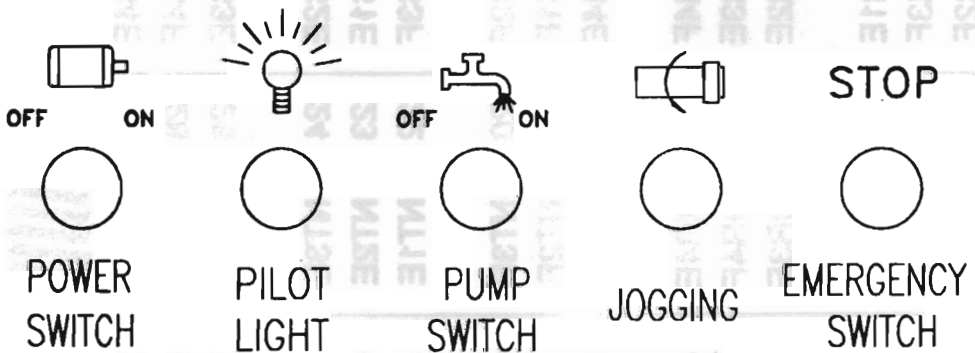
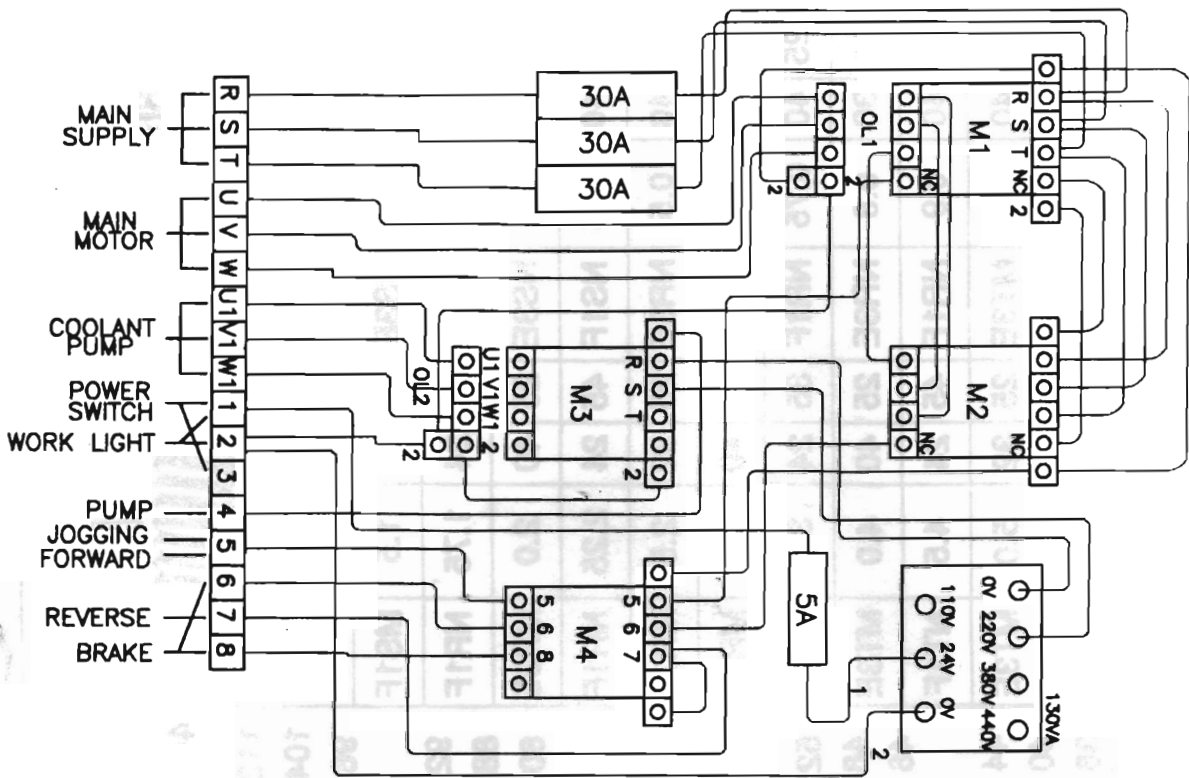


WIRING DIAGRAM



ELECTRICAL CONTROL

with the exception of the lathe isolator, all electrical controls are fitted onto the front face of the headstock.

1. Press the RED button to stop the main motor and also electrical supply to ancillary services
2. Turn the button on. The indicator lamp A will glow whilst the electricity is supplied.
3. Coolant pump ON/OFF push buttons.
4. Press the GREEN button to start the main drive motor and the indicator lamp glows whilst the motor is running.
5. Emergency stop reset button.