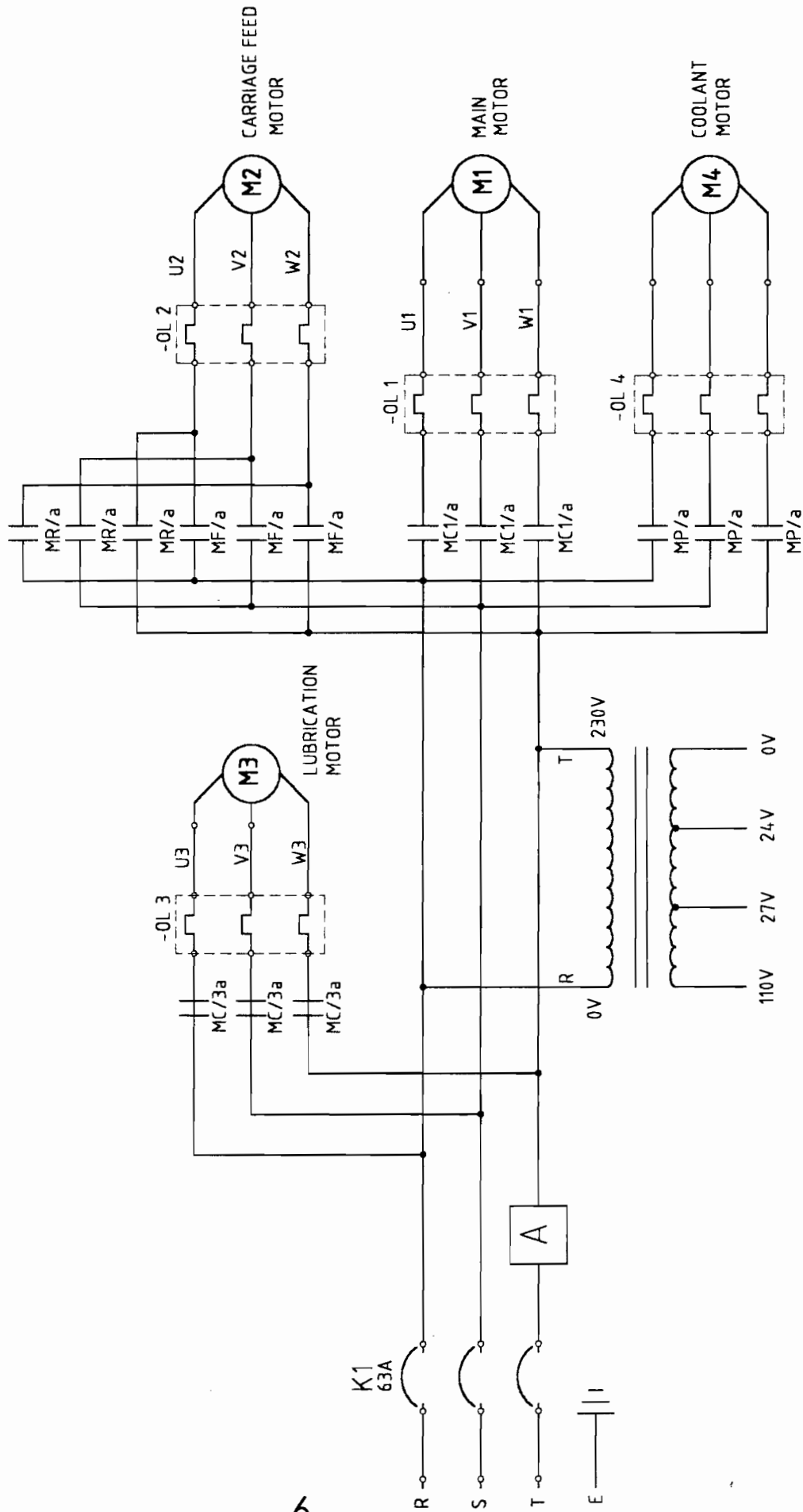
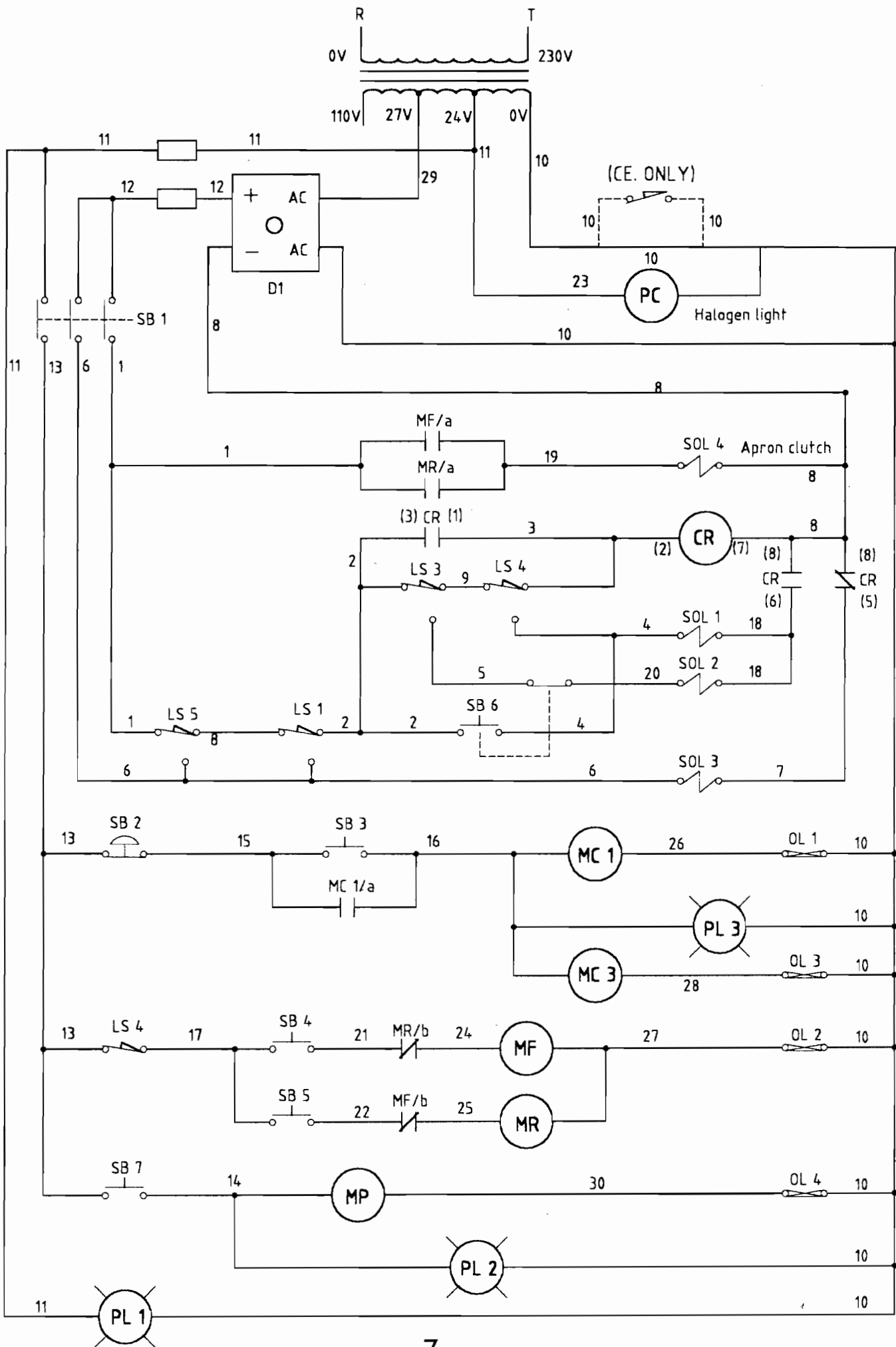


# 4-3. Electrical Wiring Diagram

## 24"/29" MOTOR WIRING



# 24"/29" CONTROL CIRCUIT



## Electrical Part Description

<b>M1: Main motor</b>	<b>PB2: Main motor stop switch</b>
<b>M2: Carriage feed motor</b>	<b>PB3: Emergency stop switch</b>
<b>M3: Lubrication pump motor</b>	<b>PB4: Carriage feed withdraw starter</b>
<b>M4: Coolant pump motor</b>	<b>PB5: Carriage feed forward starter jogging button</b>
<b>A: Ampere meter</b>	<b>FS: Fuse</b>
<b>MC1: Main motor magnetic switch</b>	<b>SOL1: Main motor forward clutch</b>
<b>MF/MR: Carriage feed for/rev magnetic Switch</b>	<b>SOL2: Main motor reverse clutch</b>
<b>MP3: Lube pump magnetic switch</b>	<b>SOL3: Spindle brake clutch</b>
<b>MPC: Coolant pump magnetic switch</b>	<b>S1: Coolant pump select switch</b>
<b>OL1: Main motor overload relay</b>	<b>LS1: Brake limit switch</b>
<b>OL2: Carriage motor overload relay</b>	<b>LS2: Spindle forward limit switch</b>
<b>OL3: Lube pump motor overload relay</b>	<b>LS3: Spindle reverse limit switch</b>
<b>OL4: Coolant motor overload relay</b>	<b>LS4: Carriage feed limit switch</b>
<b>TR: Voltage transformer</b>	<b>LS5: Carriage feed safety control switch</b>
<b>CR: Brake auxiliary relay</b>	<b>PL1: Power source indicator</b>
<b>PB1: Main motor starter</b>	<b>PL2: Pump motor indicator</b>
	<b>PL3: Main motor indicator</b>
	<b>REC: Rectifier</b>