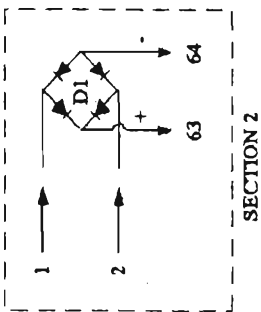
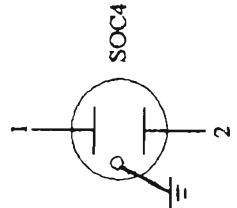
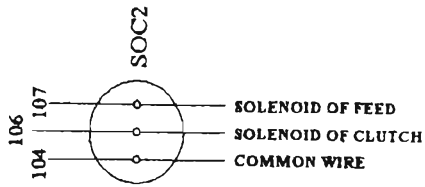
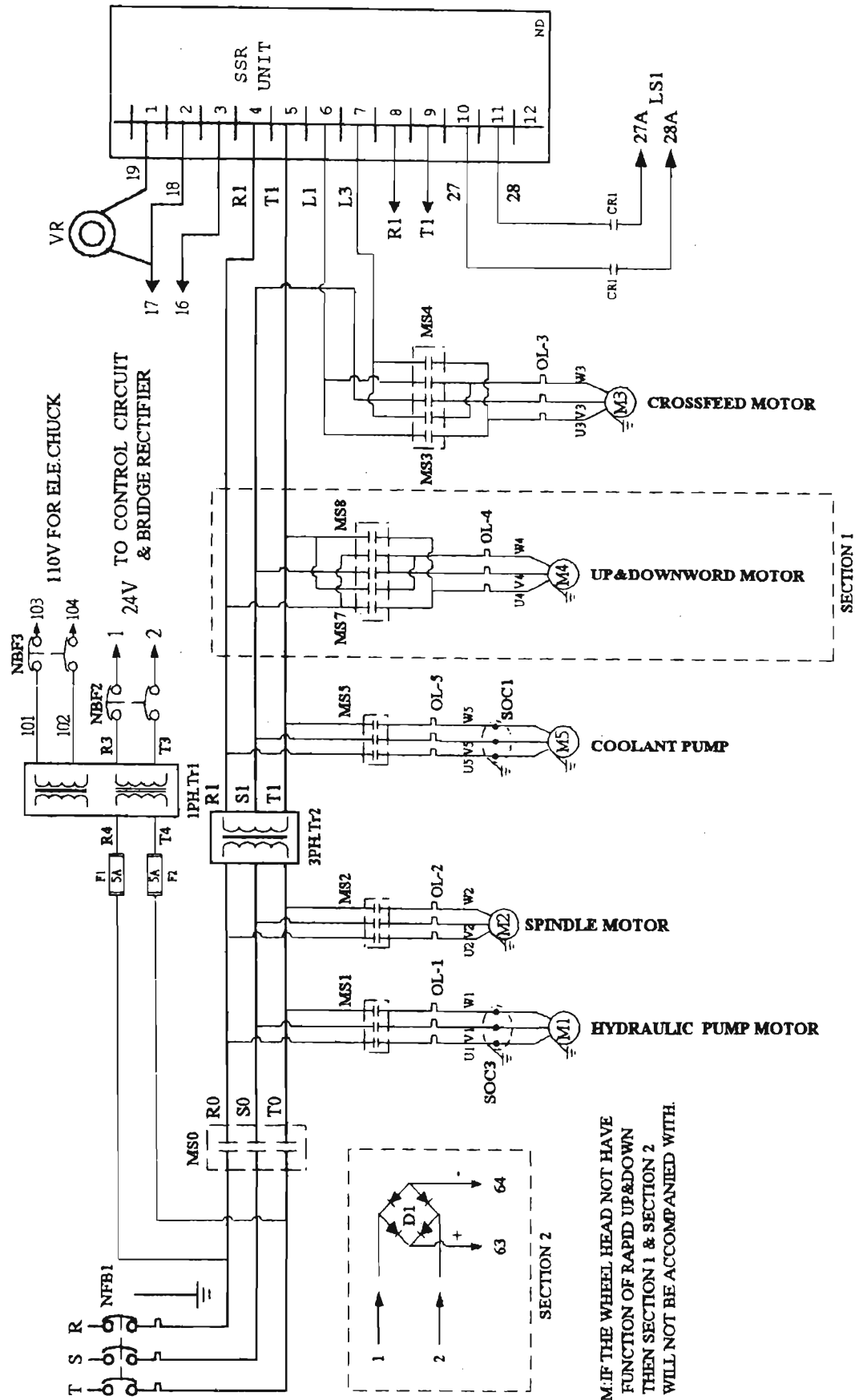




# 1020/1224/1632AHD SERIES MAIN CIRCUIT DIAGRAM



REM: IF THE WHEEL HEAD NOT HAVE FUNCTION OF RAPID UP&DOWN THEN SECTION 1 & SECTION 2 WILL NOT BE ACCOMPANIED WITH.