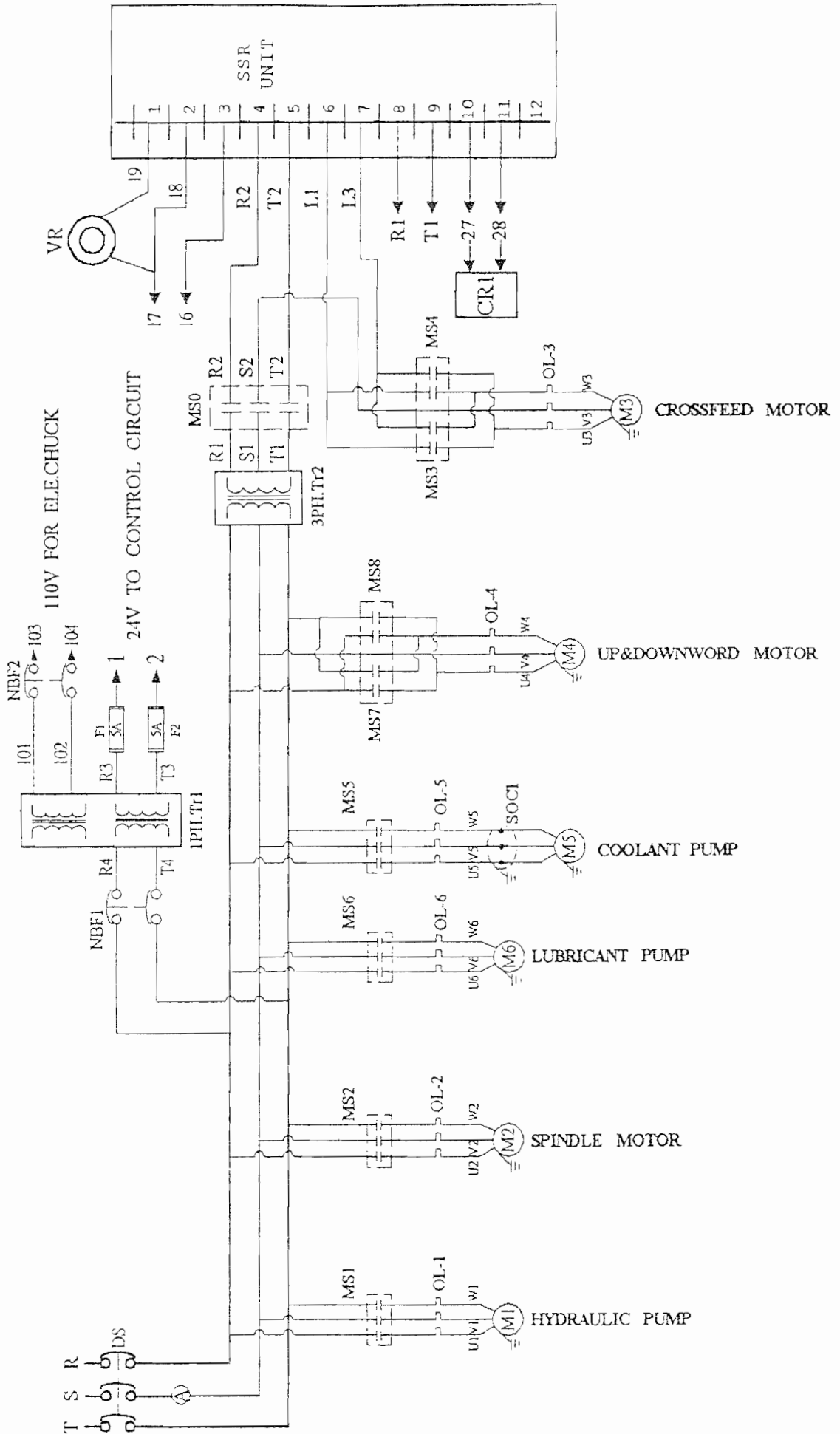
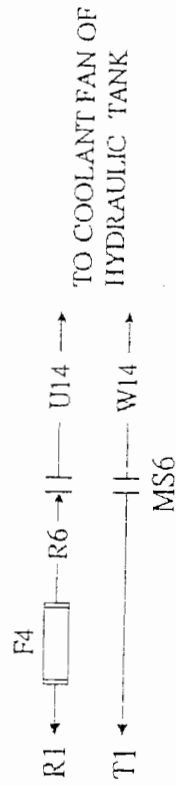
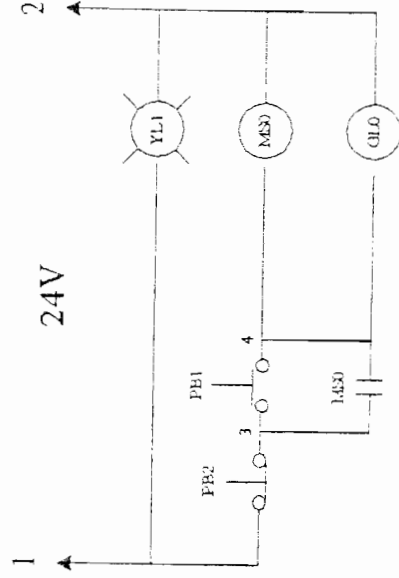
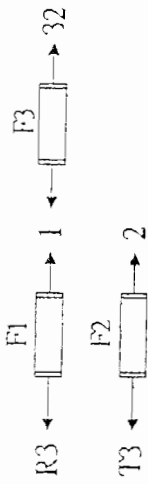
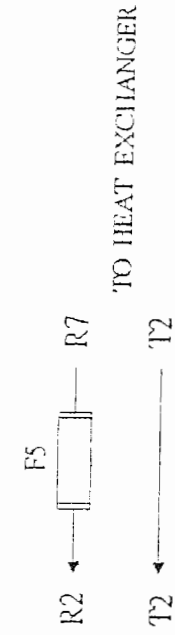


# 2448/2480AH SERIES MAIN ELECTRIC CIRCUIT DIAGRAM 1/2





# 2448/2480AH SERIES GRINDER SHARP PLC CONTROL CIRCUIT

