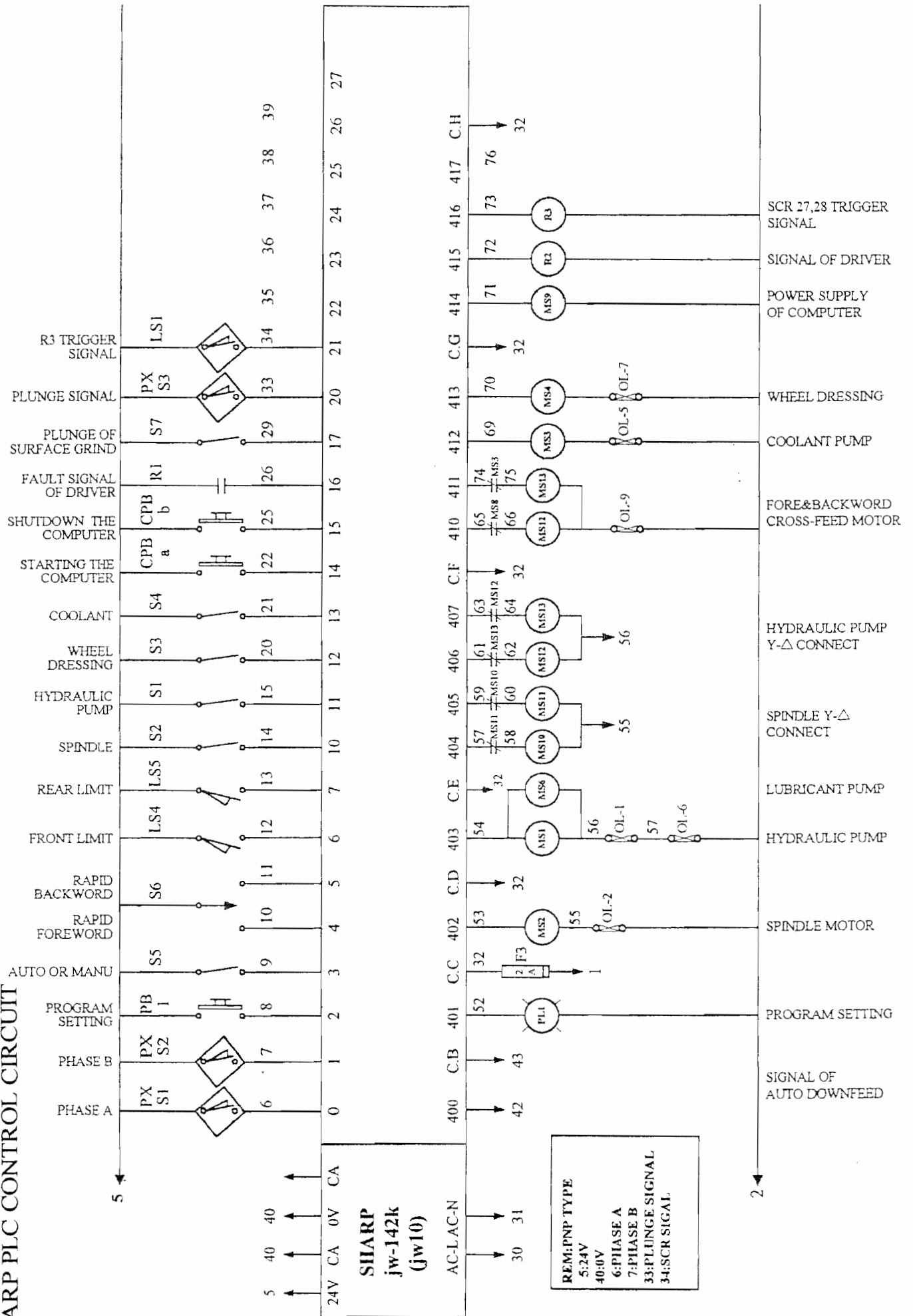


REM : If the horse power of spindle motor &(or) hydraulic pump motor are not over 20HP(include) , Then the Mag. contactor of MS10, MS11,MS12,MS13 won't be installed.

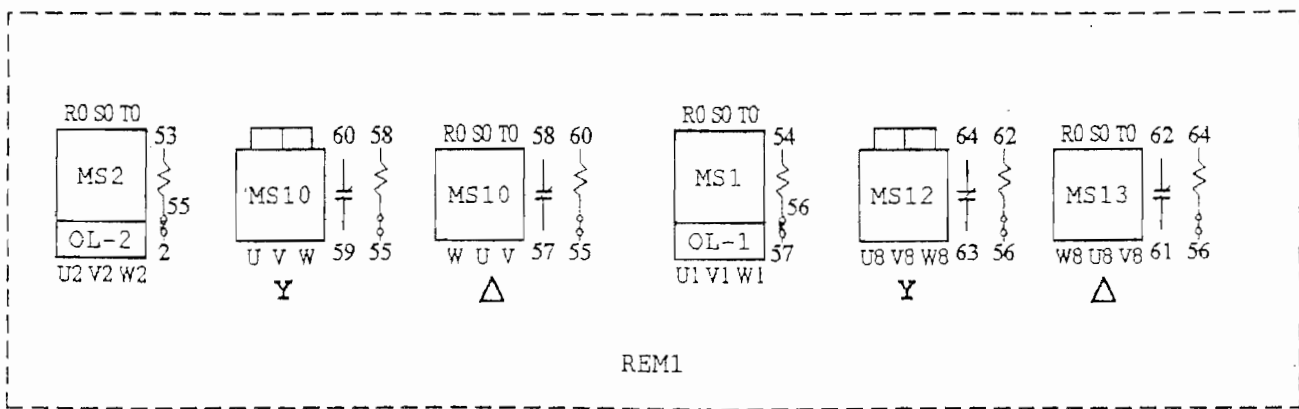
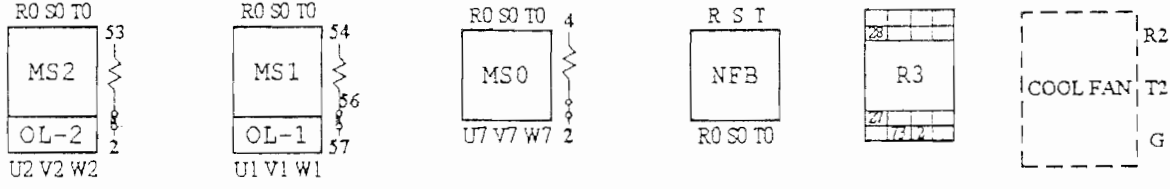
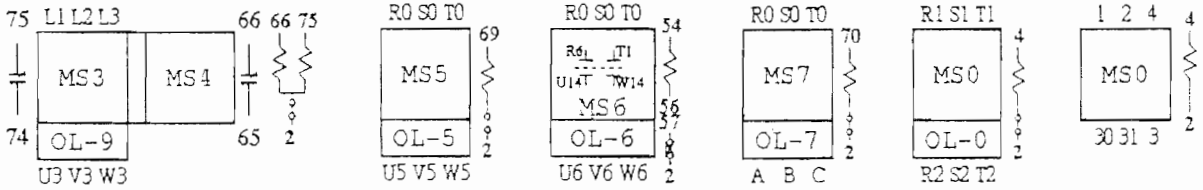
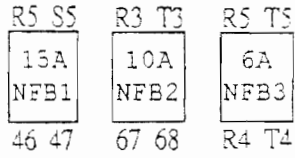
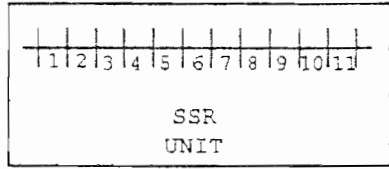
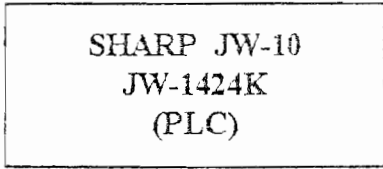
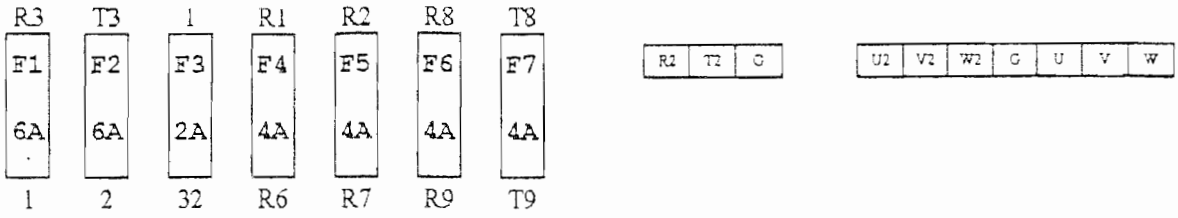
# 2448/2480AHD SERIES GRINDER SHARP PLC CONTROL CIRCUIT

## 2448/2480AHD SERIES GRINDER SHARP PLC CONTROL CIRCUIT



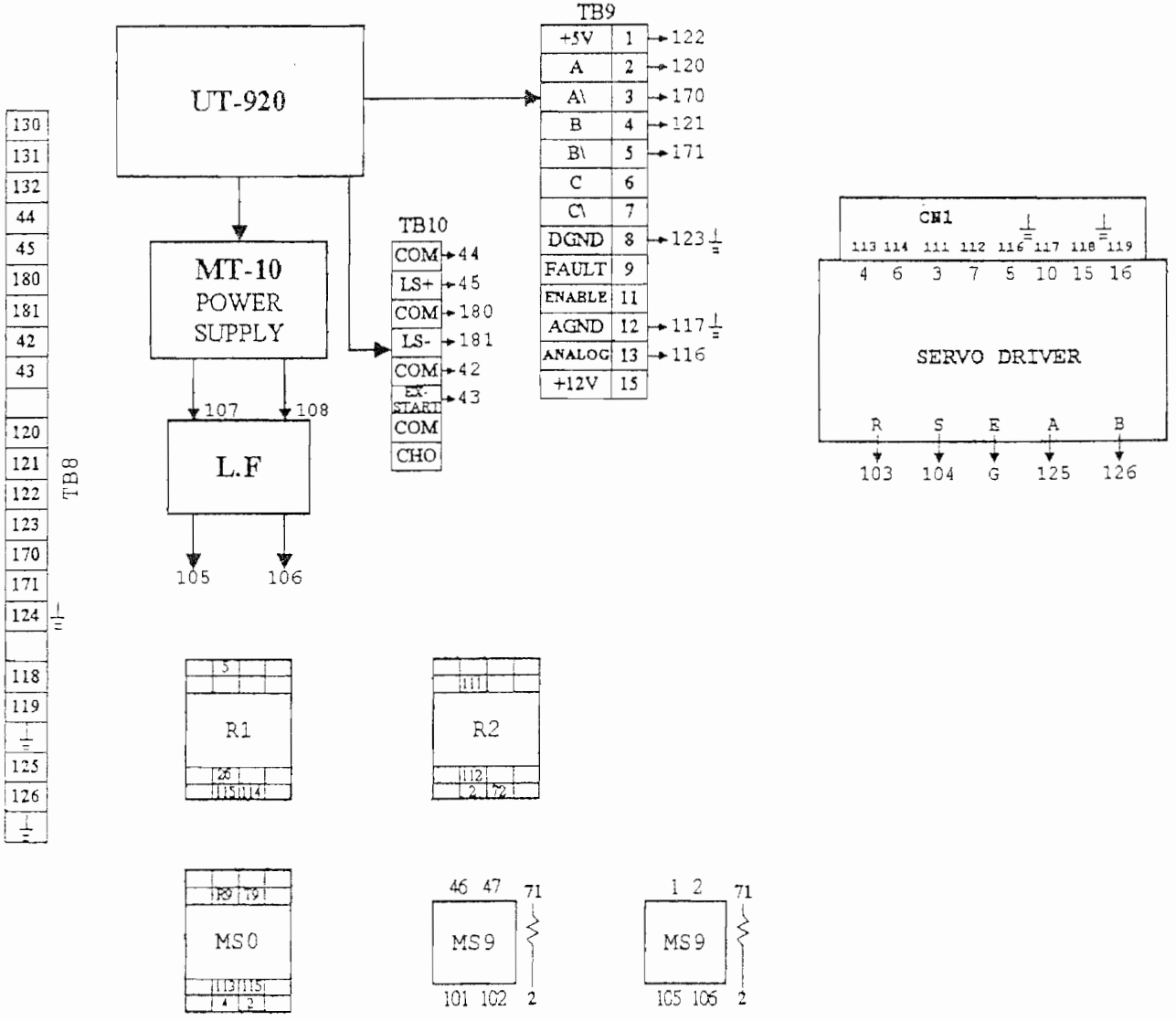
# 2448/2480AHD LAYOUT OF MAIN ELECTRICAL BOX 1/2

1  
2  
3  
4  
16  
17  
18  
19  
52  
5  
40  
33  
34  
5  
8  
9  
10  
11  
14  
15  
20  
21  
22  
25  
29  
5  
12  
13  
42  
43  
1  
2  
4  
5  
26  
71  
72  
73  
R2  
T2  
R1  
S1  
T1  
G  
R0  
S0  
T0  
G  
R5  
S5  
T5  
R9  
T9  
46  
47  
67  
68  
5  
6  
7  
40



REM1 : IF THE SPINDLE MOTOR OR HYDRAULIC PUMP MOYOR IS OVER 20 HP THE WIRE CONNECT OF MOTOR IS USED Y-Δ CONNECTION

# 2448/2480AHD LAYOUT OF MAIN ELECTRICAL BOX 2/2



**Terminal Block TB7**

23	24	G	69	70	67	68	R9	T9	46	47	101	102	103	104	1	2	4	5	26	71	72
----	----	---	----	----	----	----	----	----	----	----	-----	-----	-----	-----	---	---	---	---	----	----	----

ENCODER FEEDBACK						
A	C	H	K	N	R	L
Green	White	Black	Red	Brown	Yellow	$\frac{1}{2}$
120	121	122	123	170	171	124
CHA	CHB	+5V	GND.	CH $\bar{A}$	CH $\bar{B}$	CASE

UPPER SWITCH : 44,45
LOWER SWITCH : 180,181
INFEEED SWITCH : 42,43