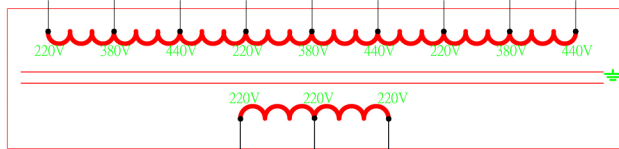
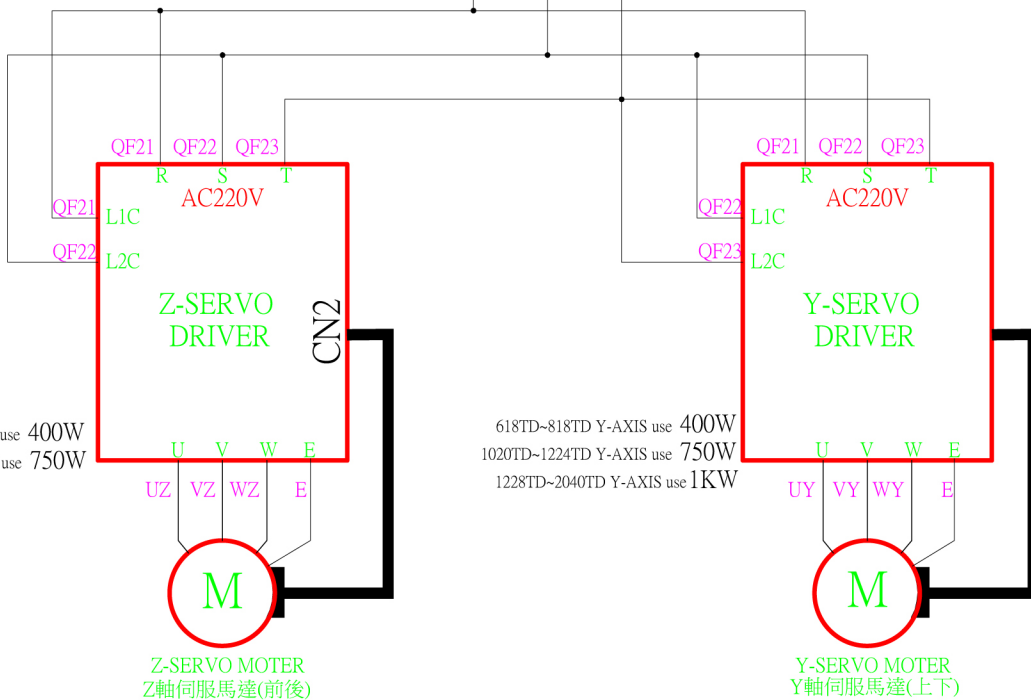
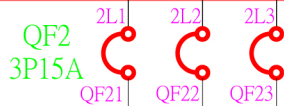


TR2  
3Ø 2KVA 自耦式變壓器  
IN:AC220/380/44V  
OUT:AC220V

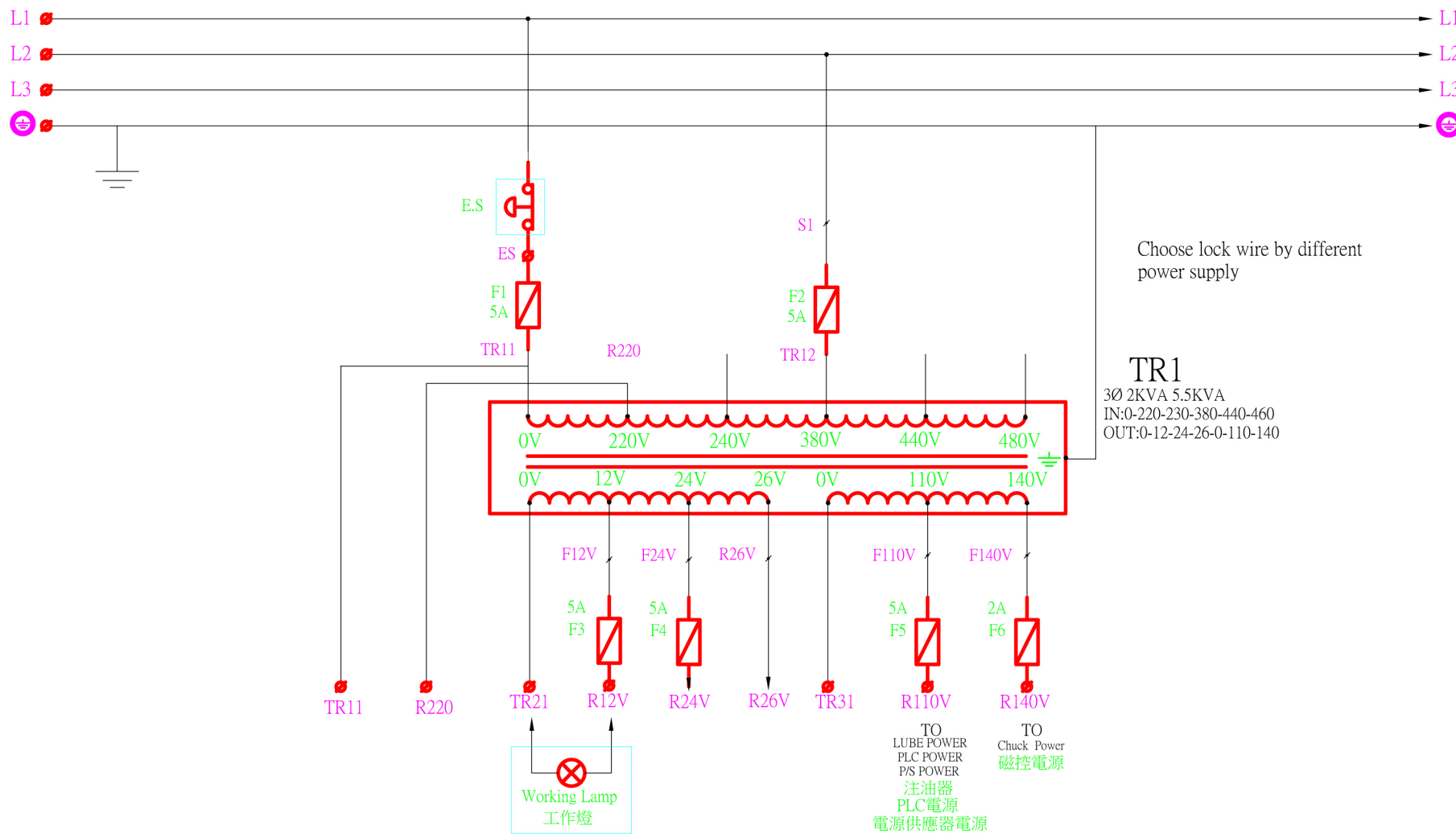


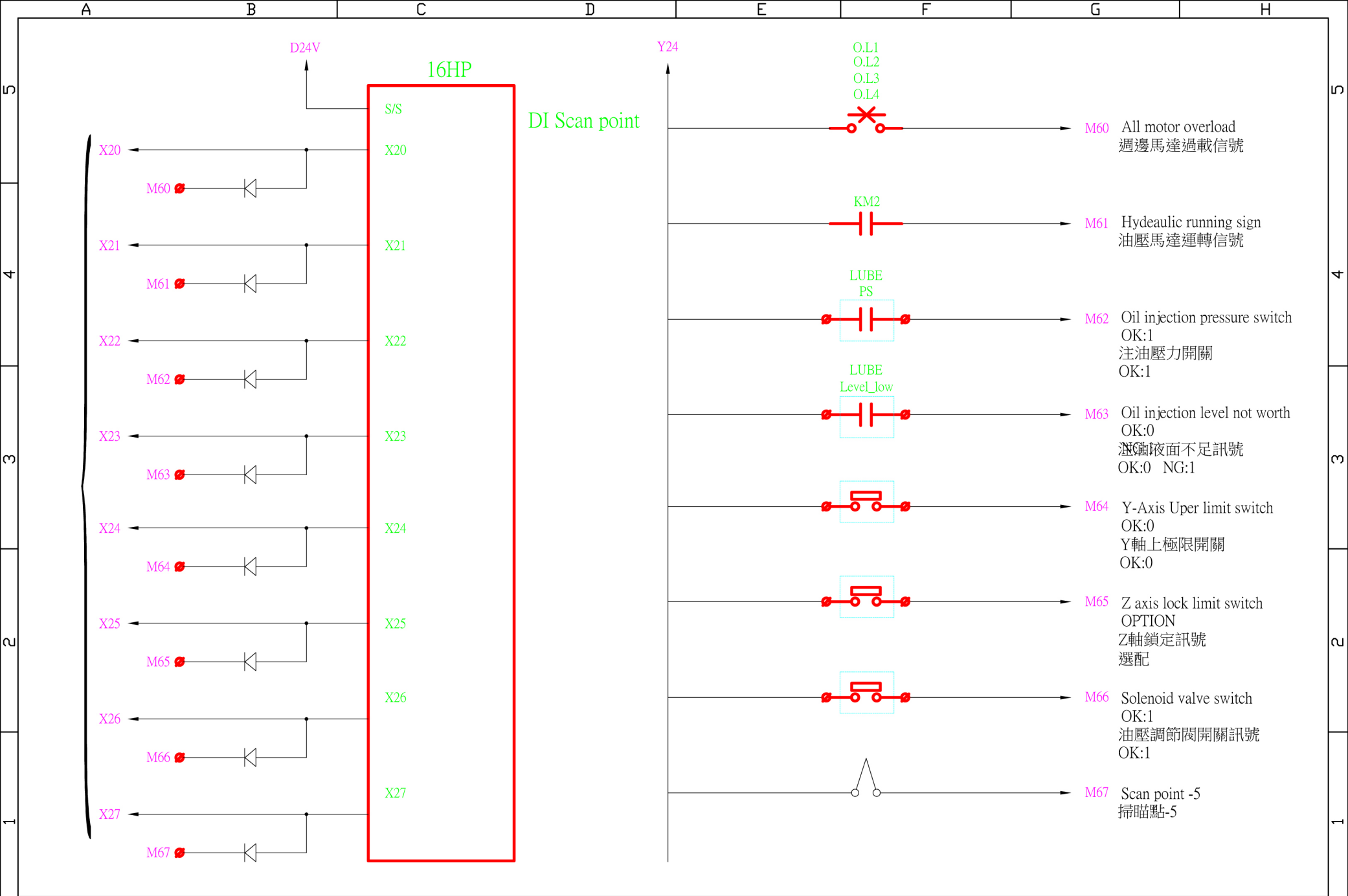
Choose lock wire by different power supply  
依工作電壓選擇配線

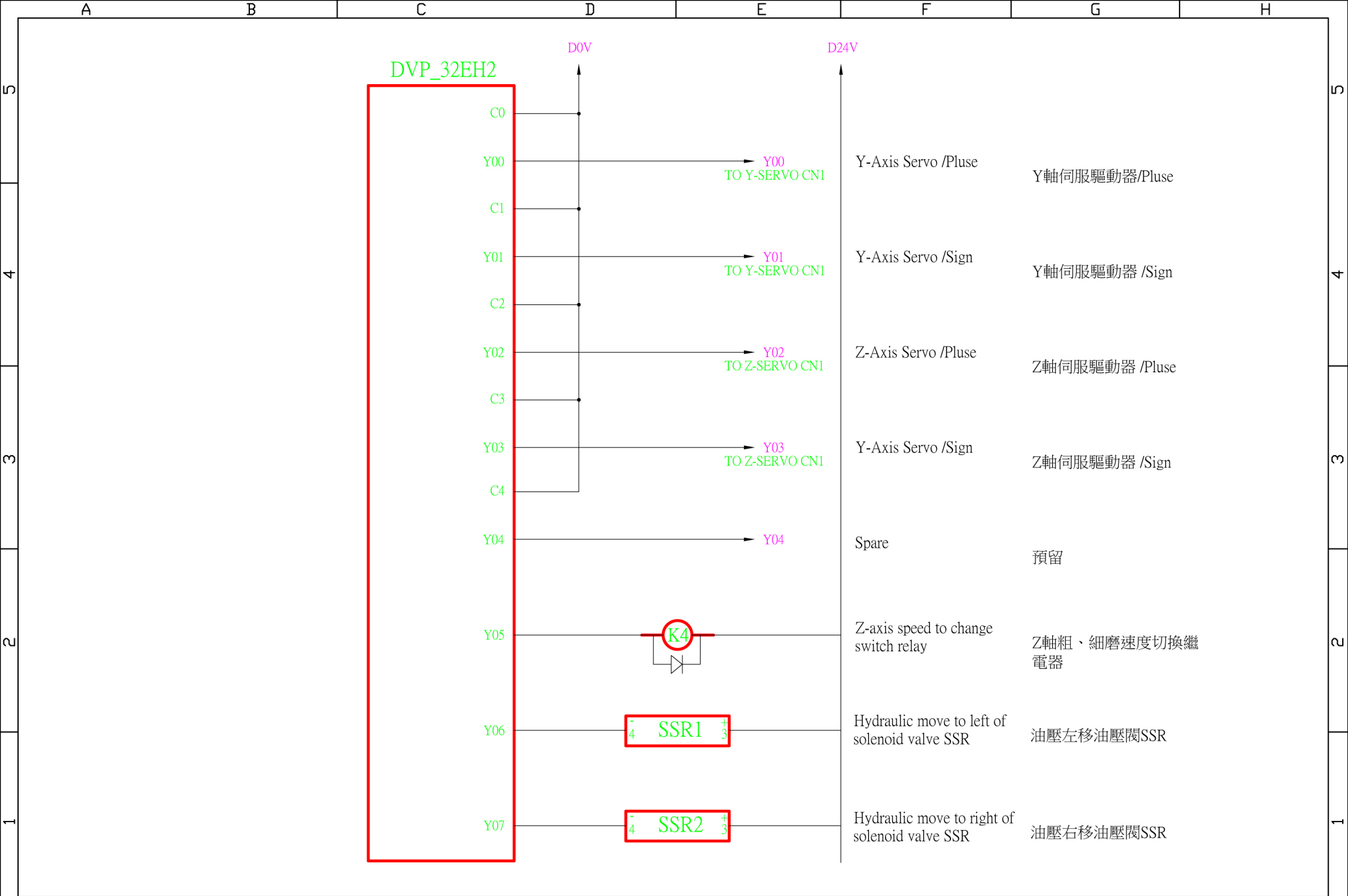


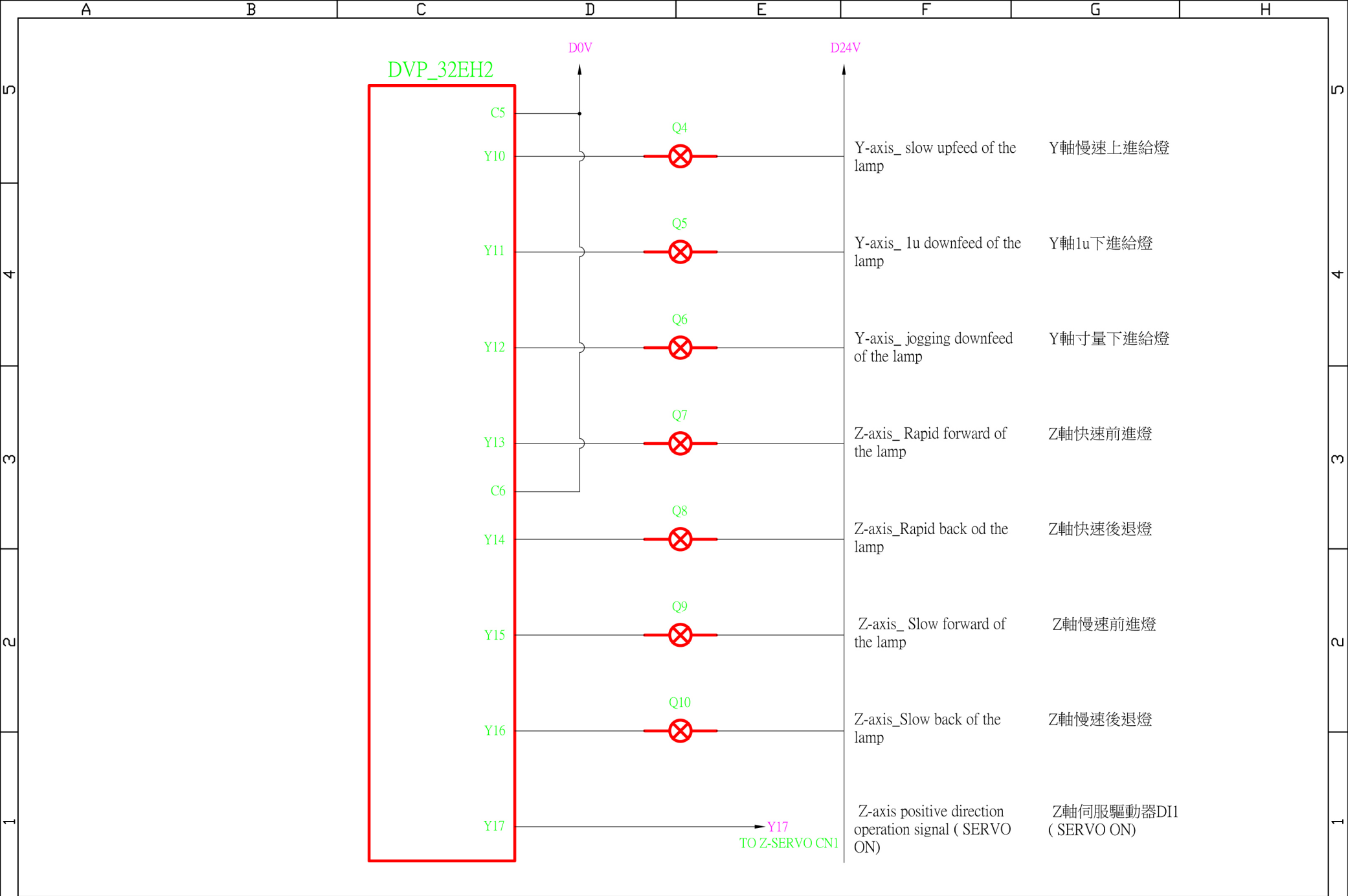
618TD-1224TD Z-AXIS use 400W  
1228TD-2040TD Z-AXIS use 750W

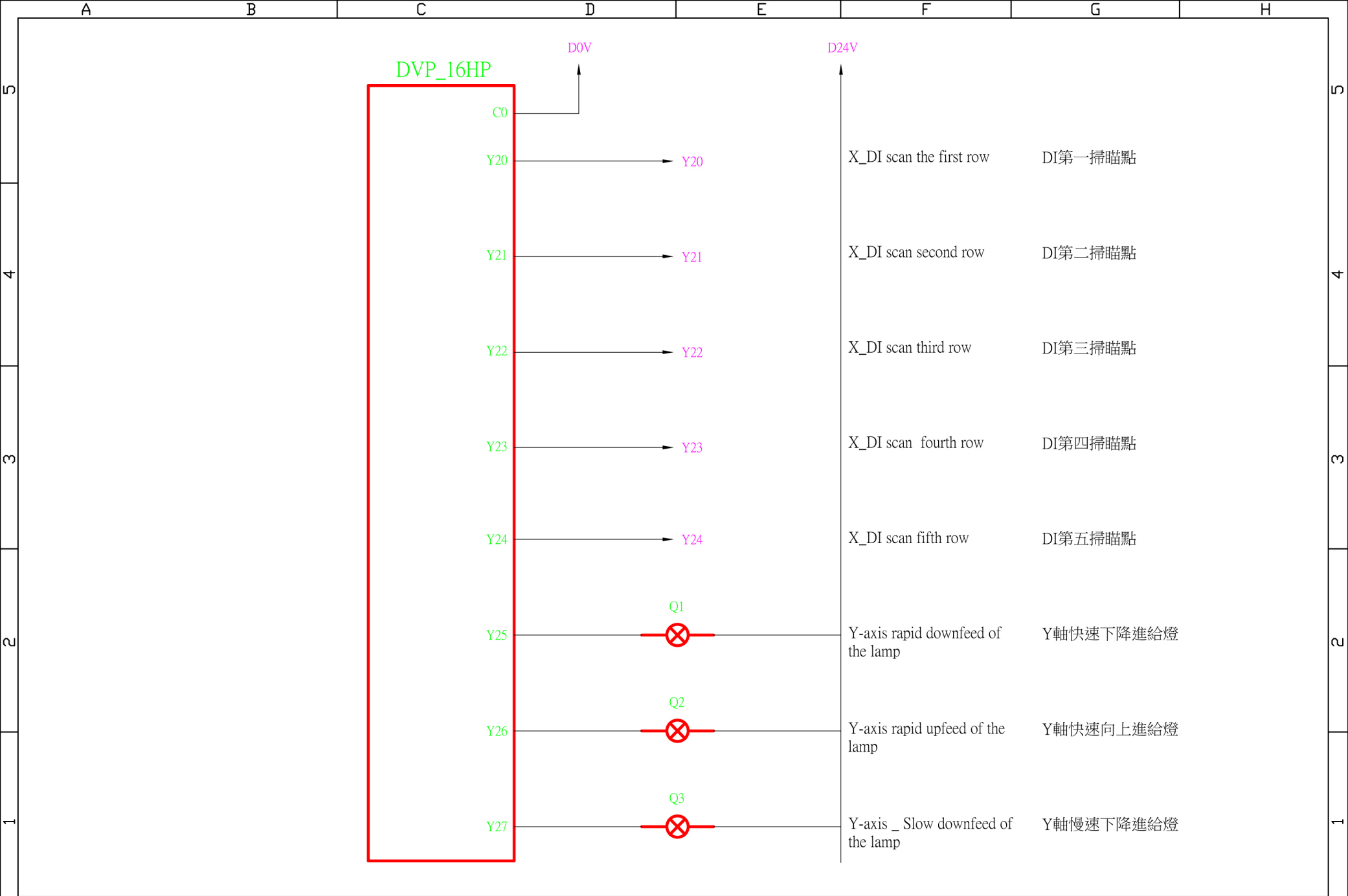
618TD-818TD Y-AXIS use 400W  
1020TD-1224TD Y-AXIS use 750W  
1228TD-2040TD Y-AXIS use 1KW



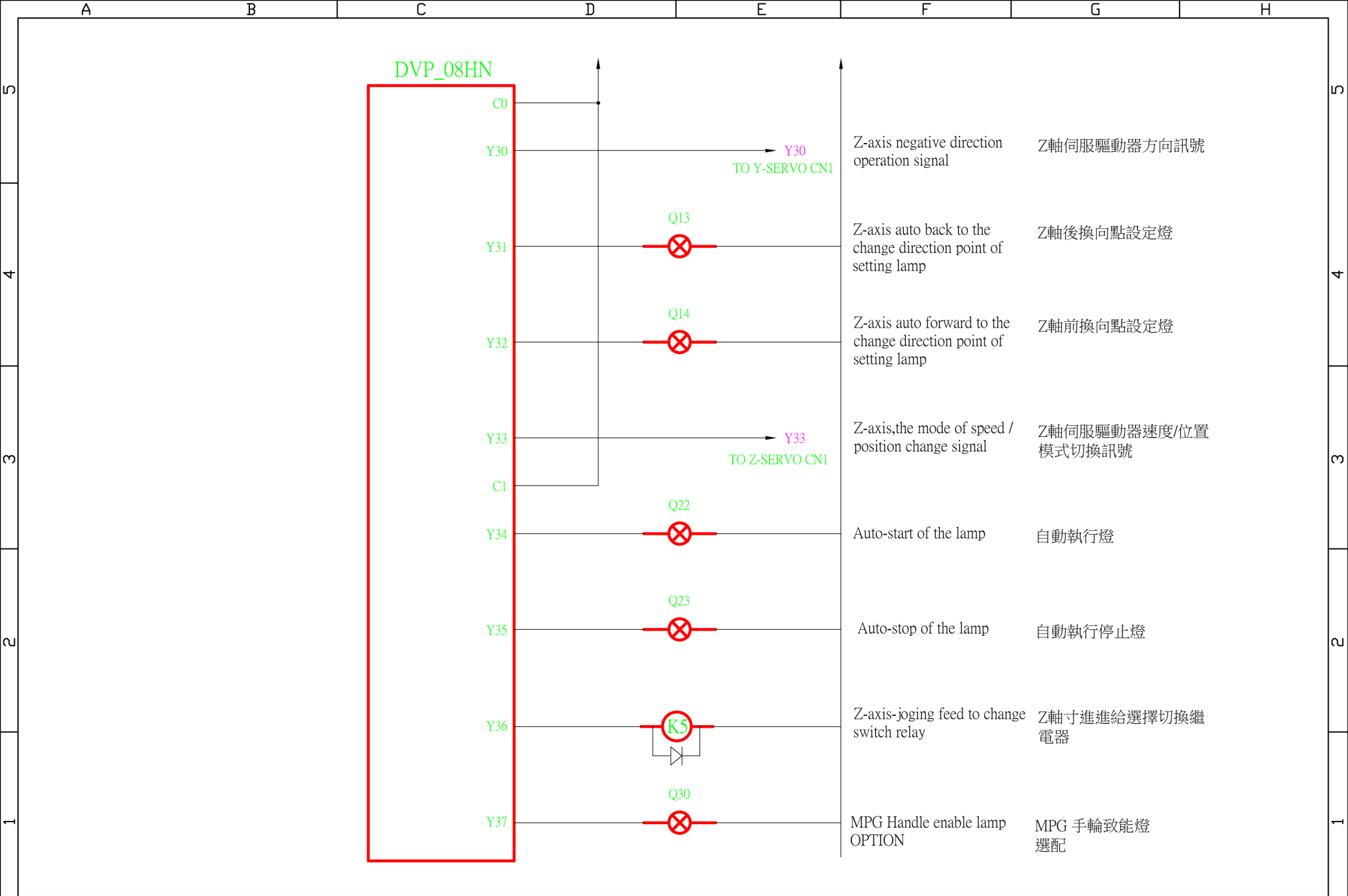


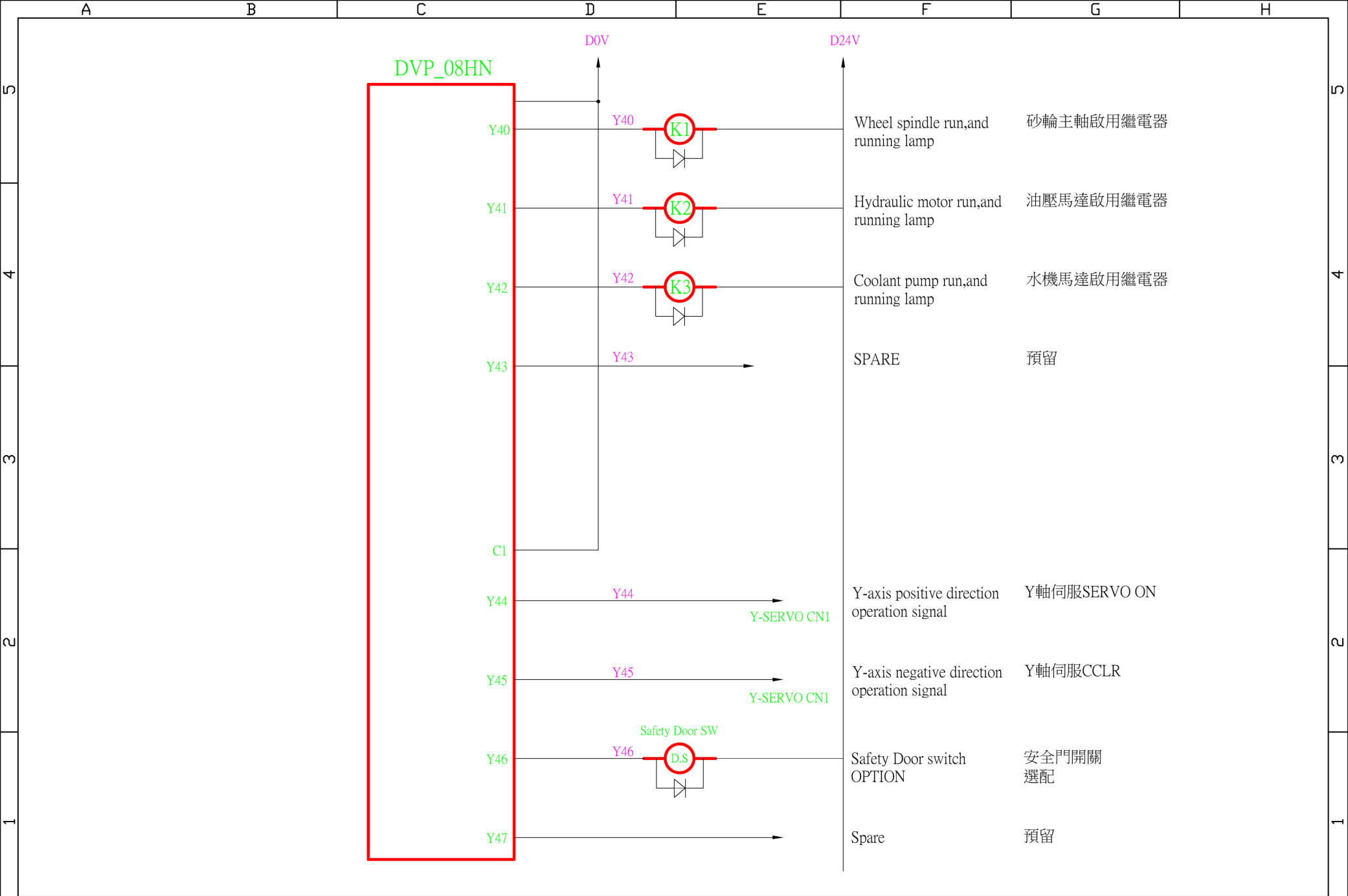


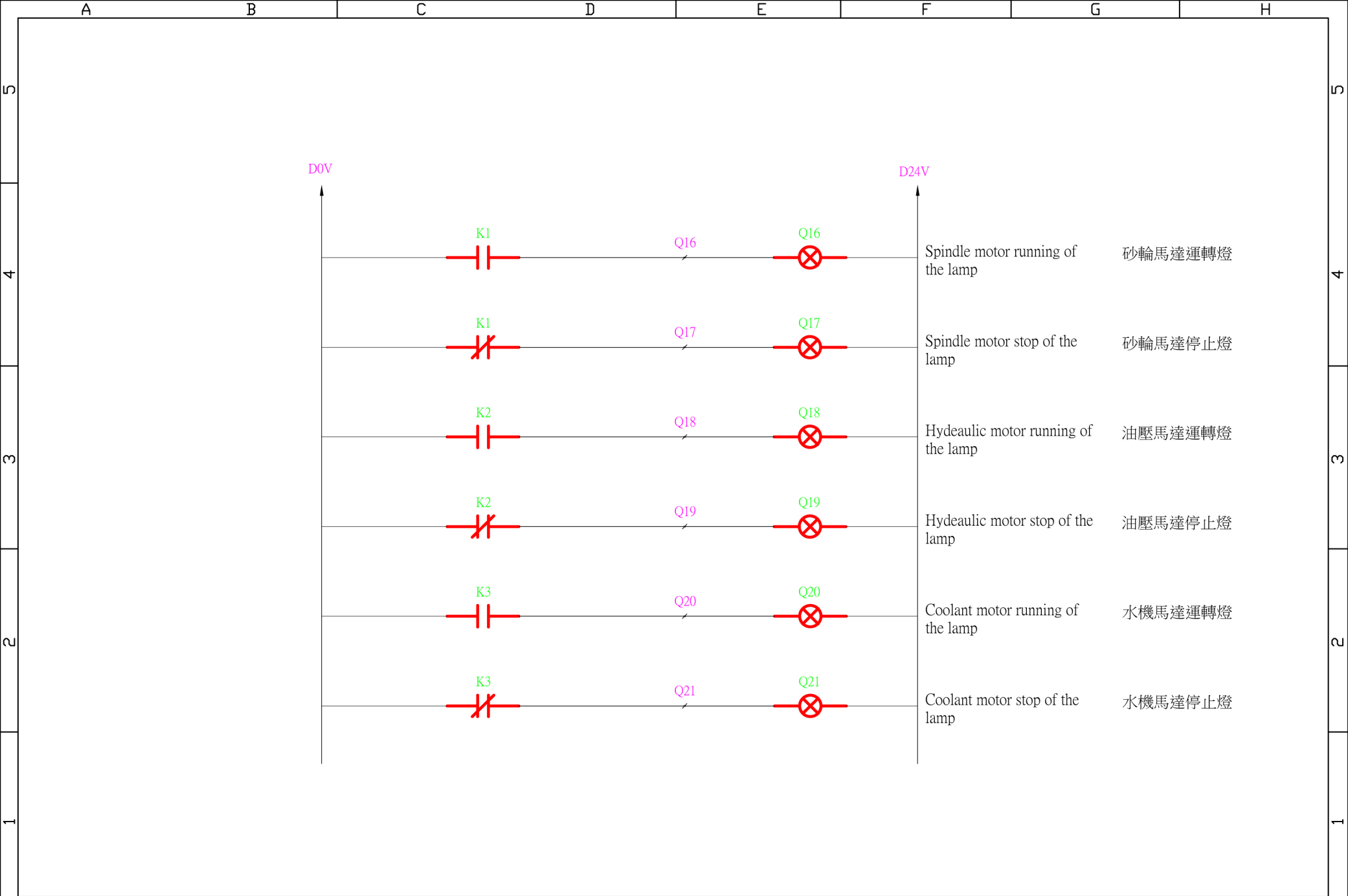




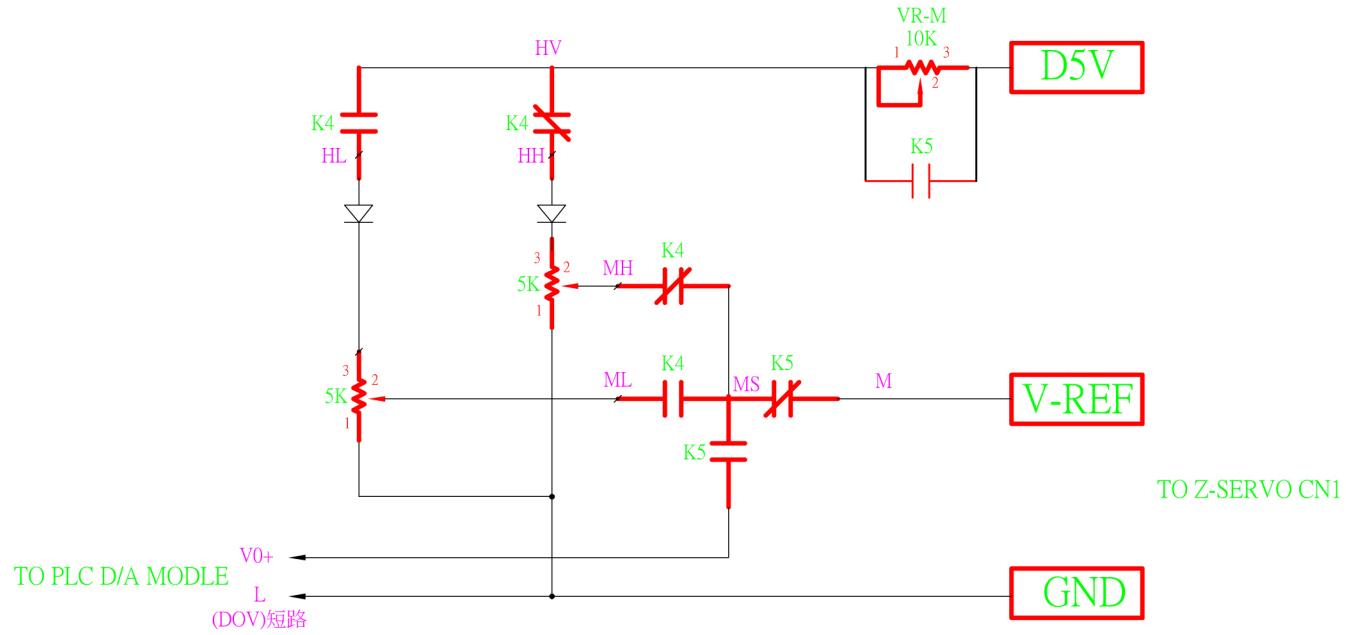


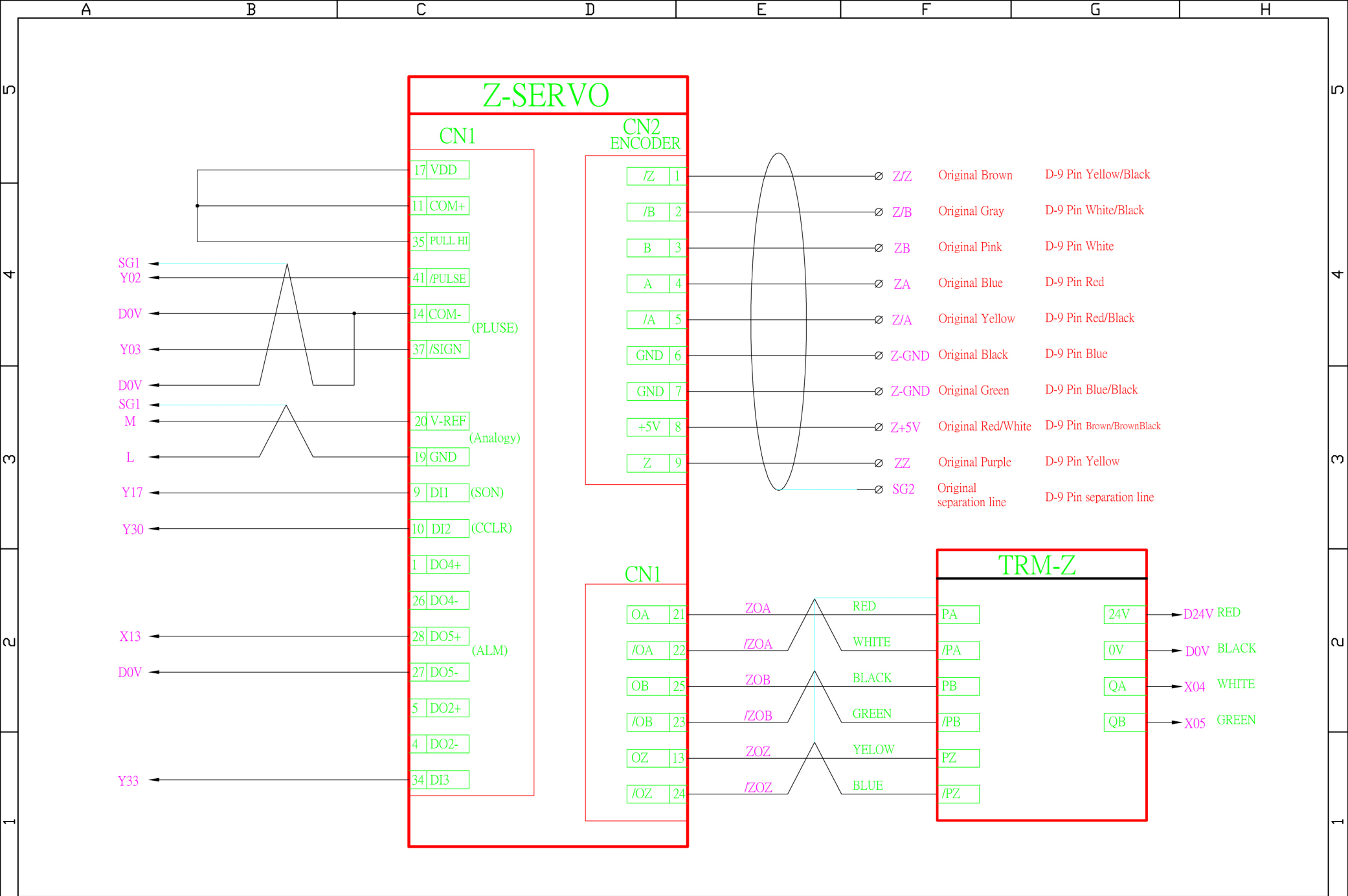


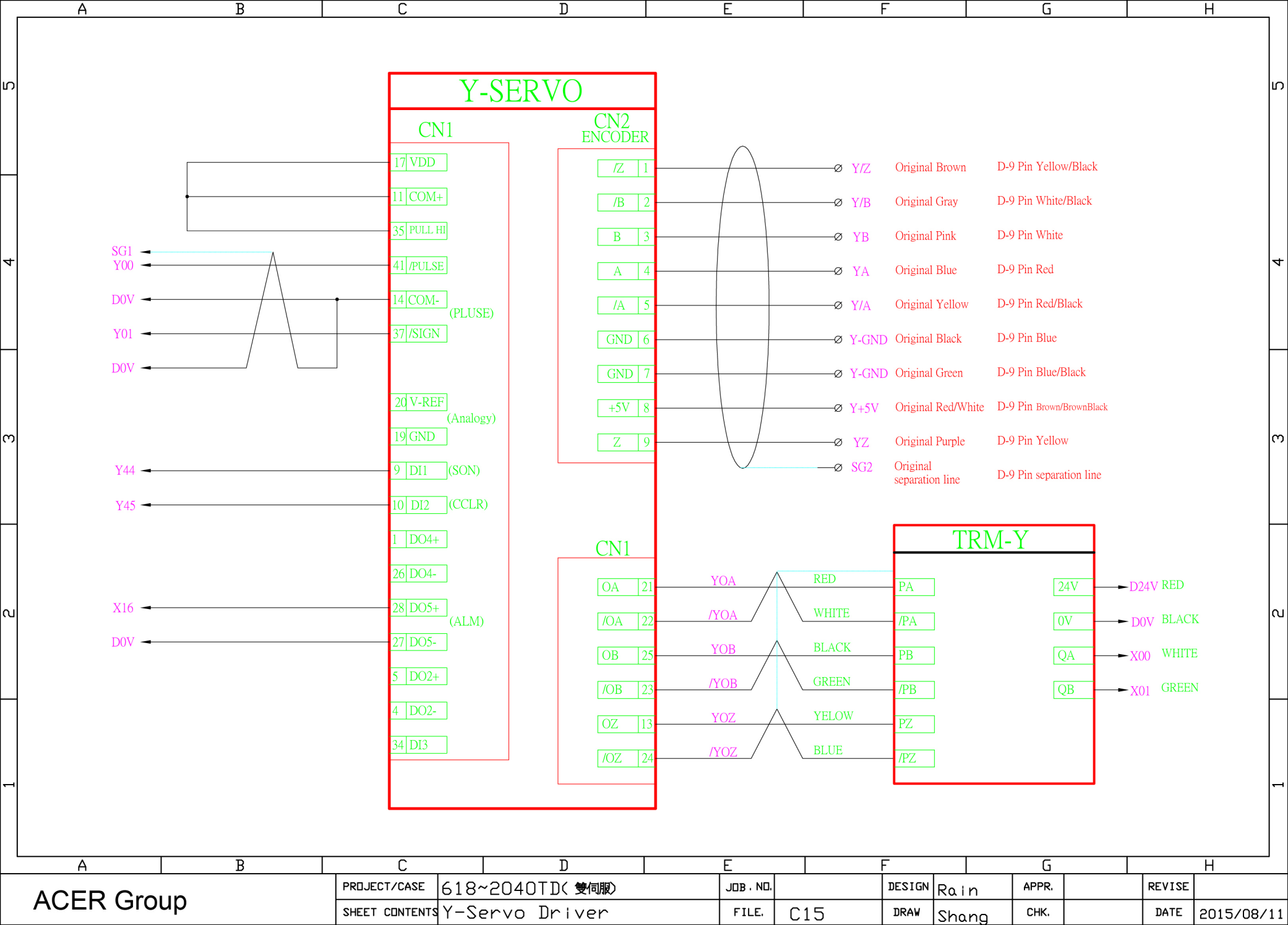


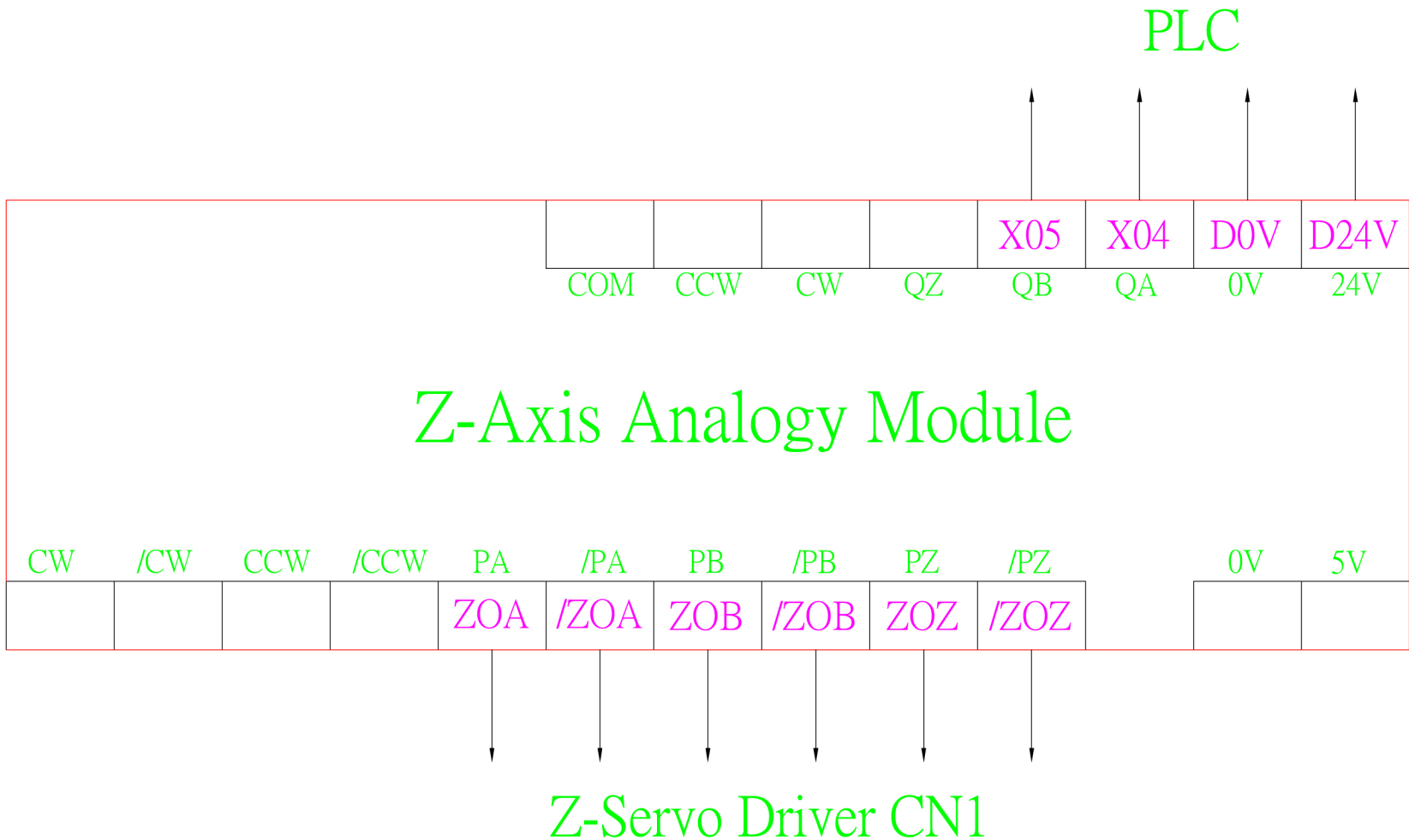


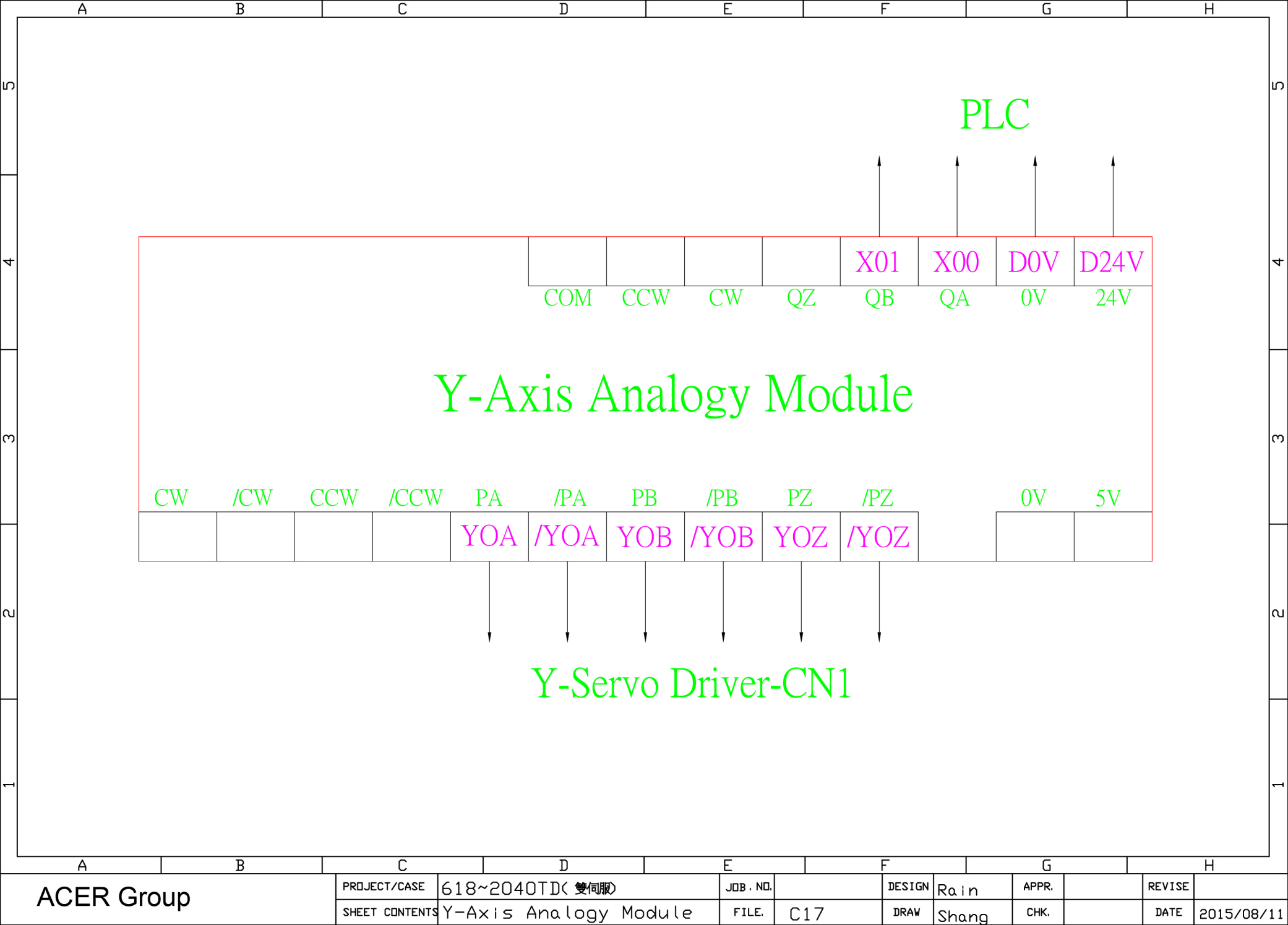
# Z-axis speed to change



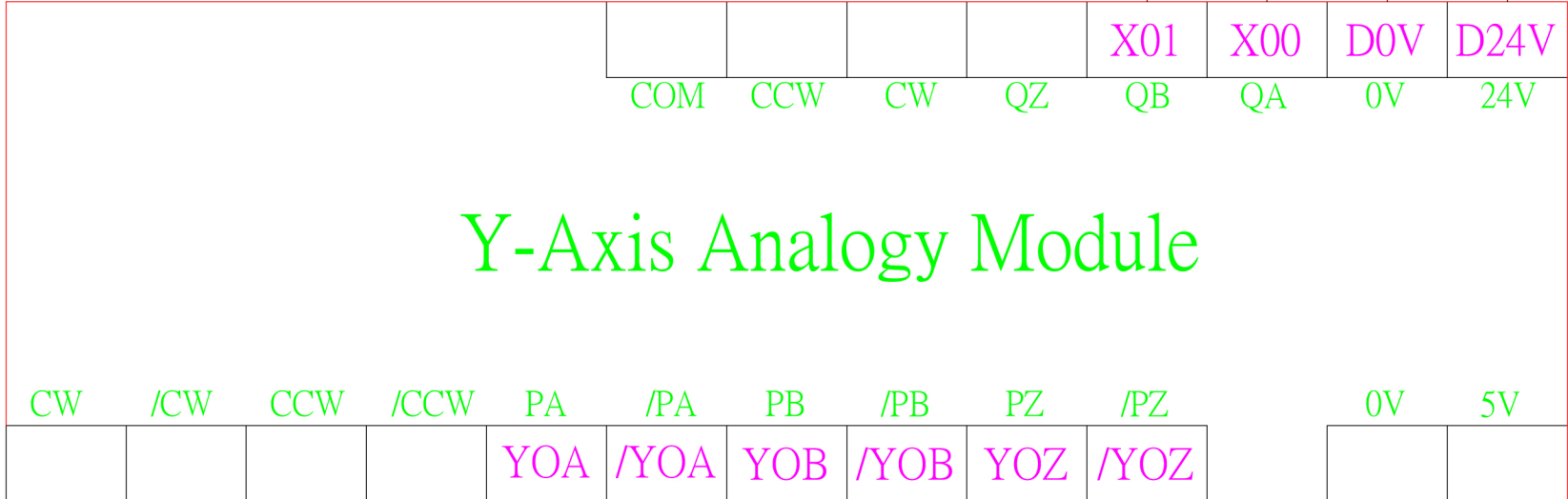








PLC

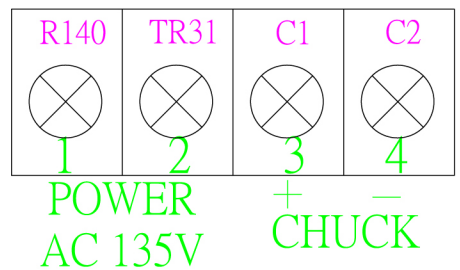
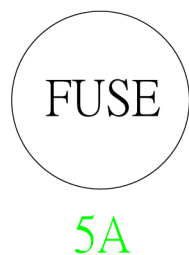
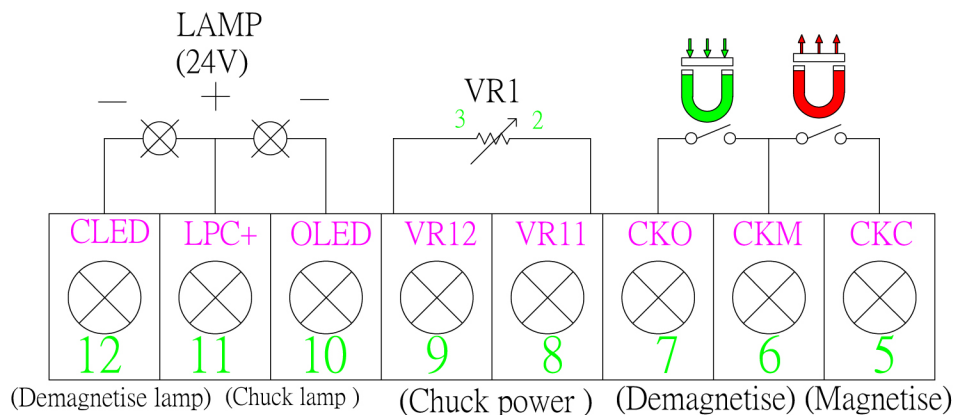
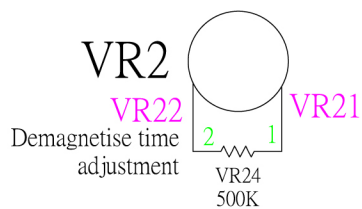


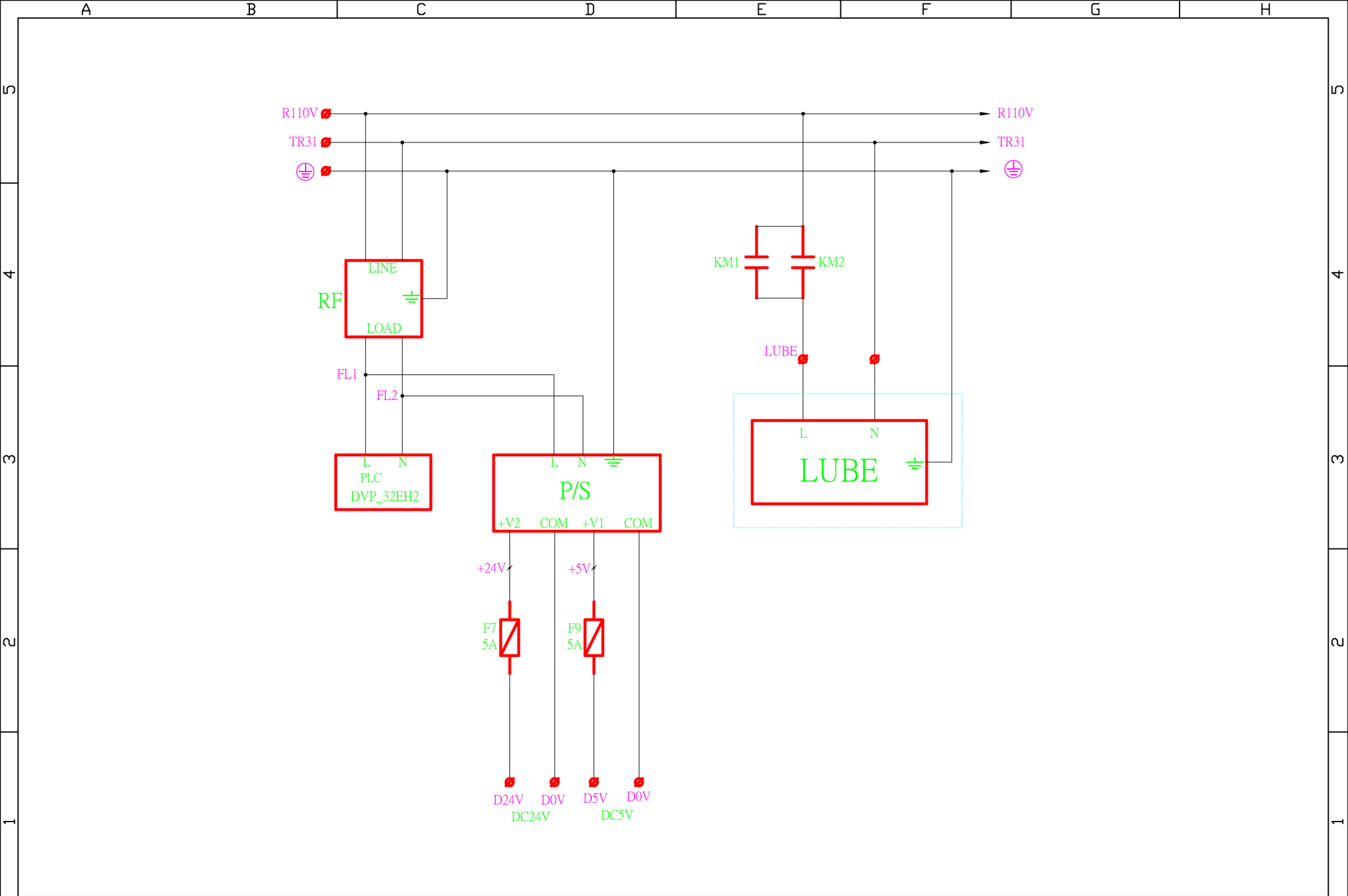
Y-Servo Driver-CN1



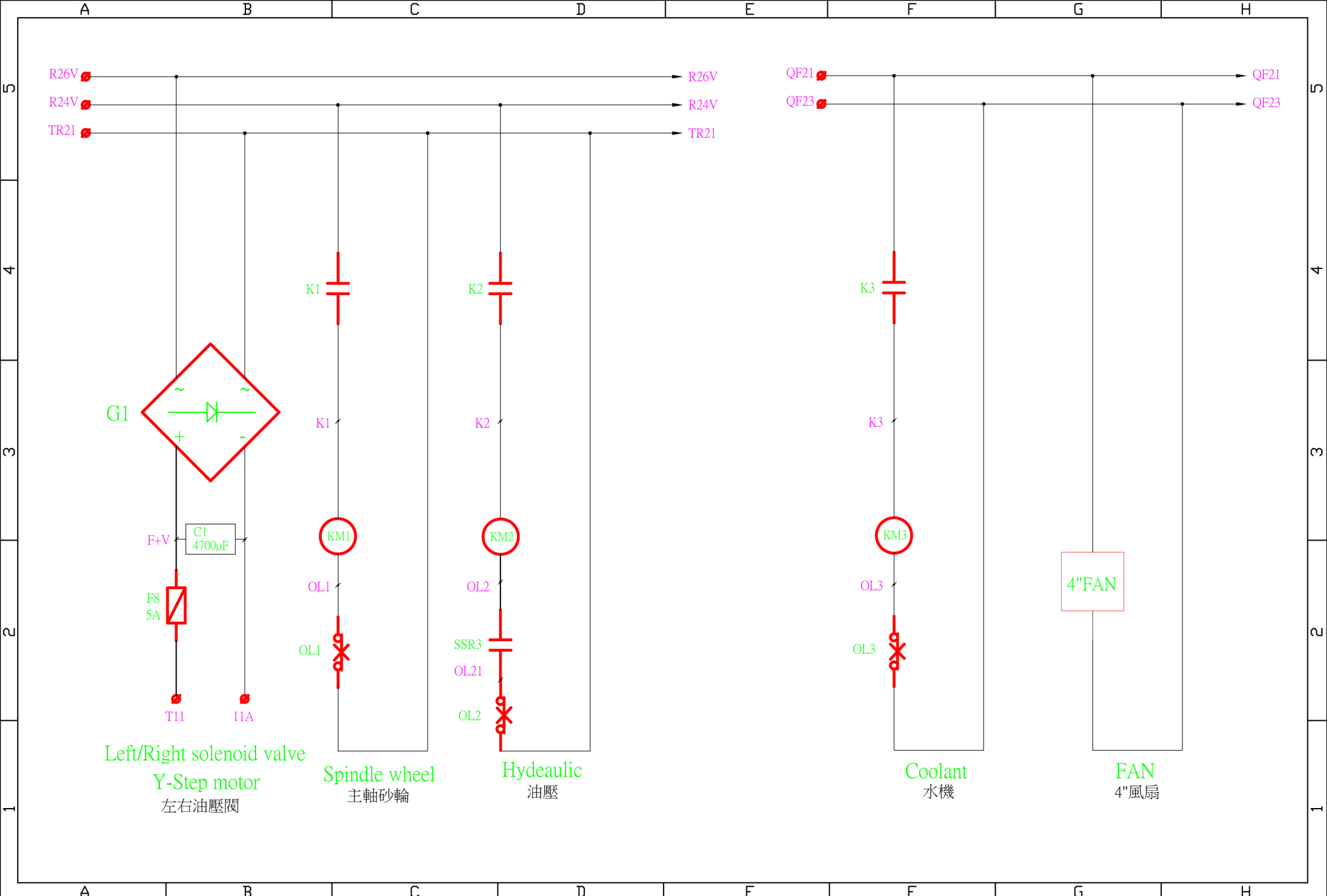
# EQUIPTOP

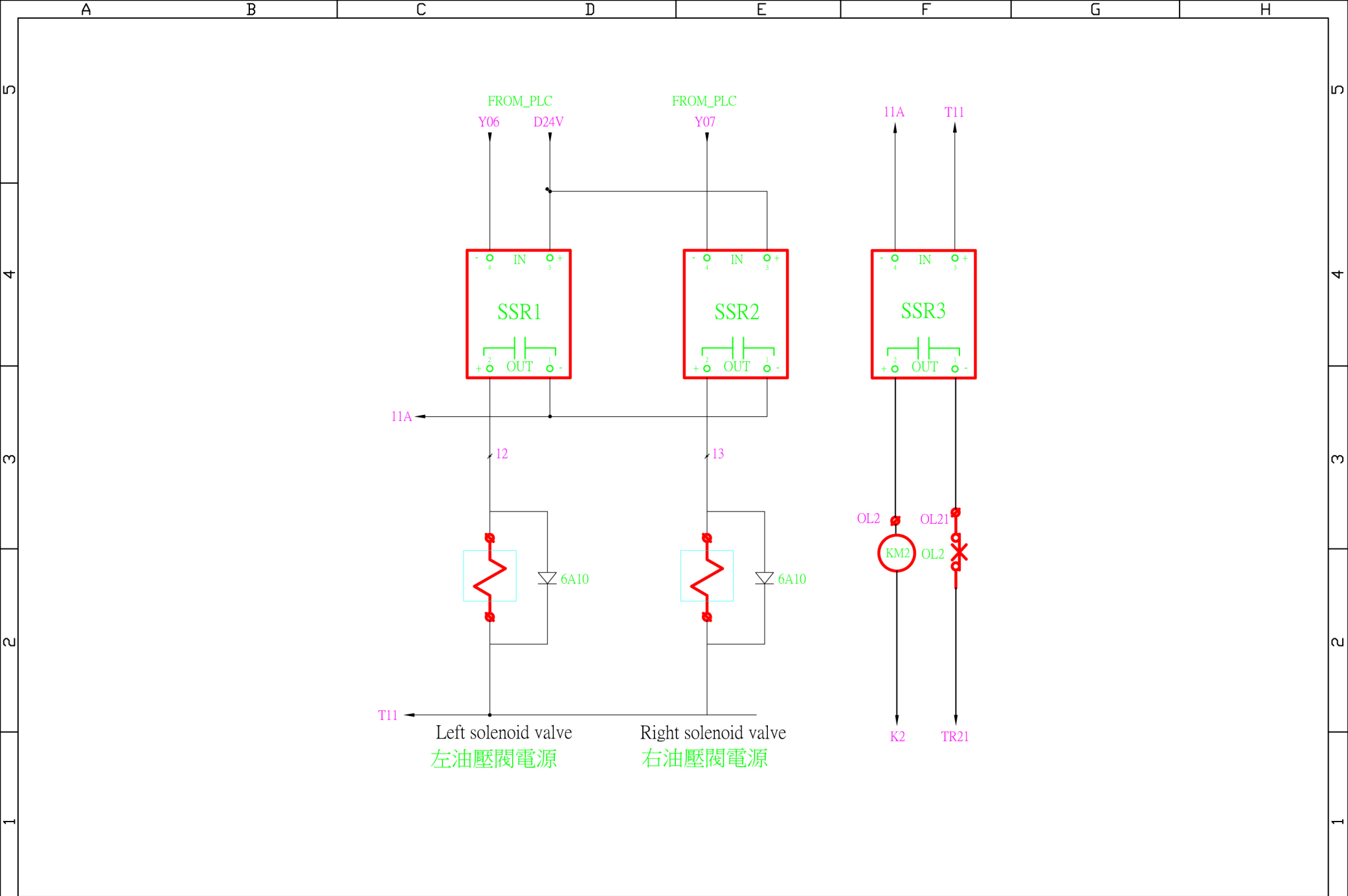
INPUT 135AC  
 OUTPUT 120DC  
 DATE XXXX





PROJECT/CASE	618~2040TD(雙伺服)	JOB . NO.		DESIGN	Rain	APPR.		REVISE	
SHEET CONTENTS	AC110V CONTROL	FILE.	C01	DRAW	Shang	CHK.		DATE	2015/08/11





PROJECT/CASE	618~2040TDK (雙伺服)	JOB . NO.		DESIGN	Rain	APPR.		REVISE	
SHEET CONTENTS	SSR	FILE.	C03	DRAW	Shang	CHK.		DATE	2015/08/11

