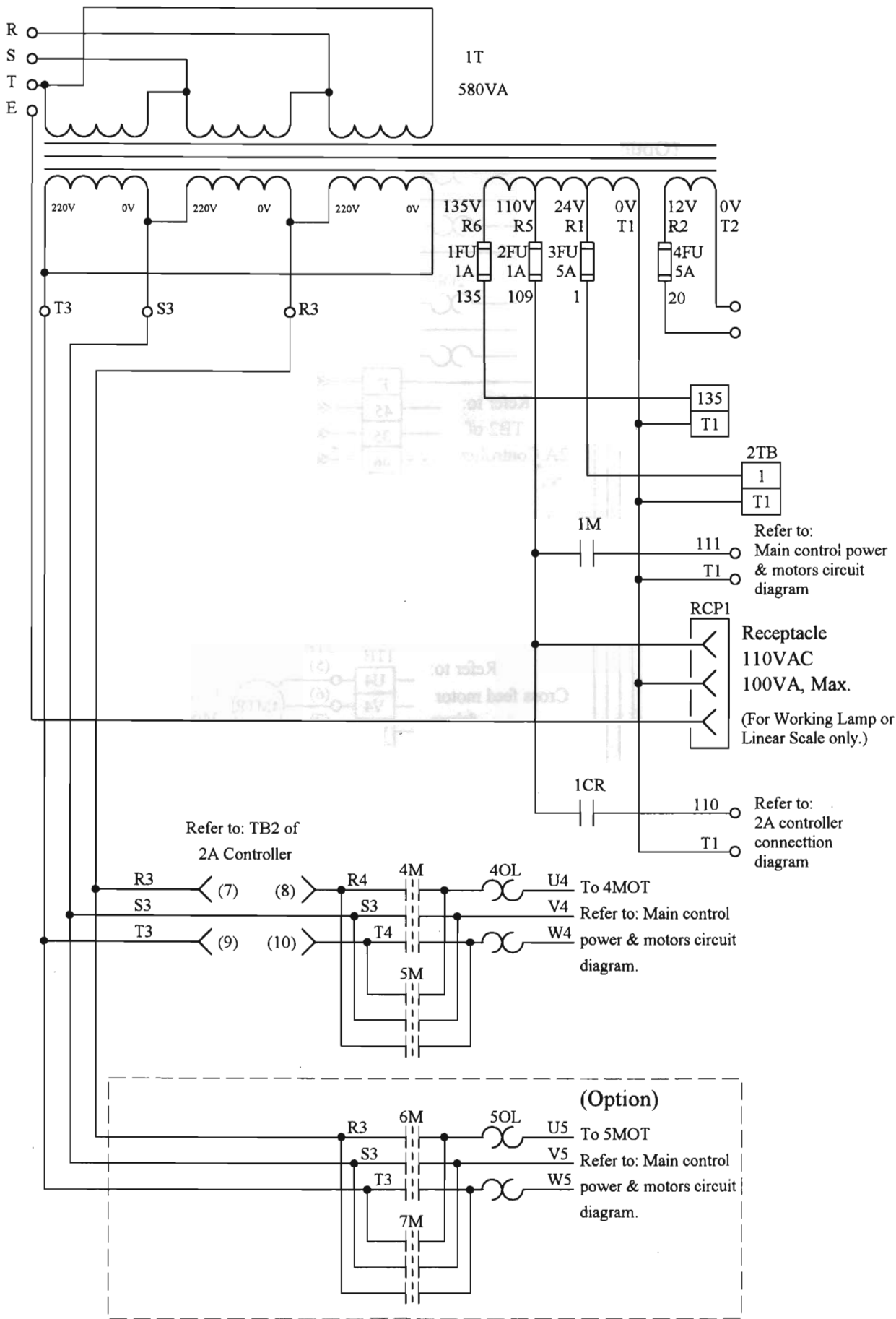
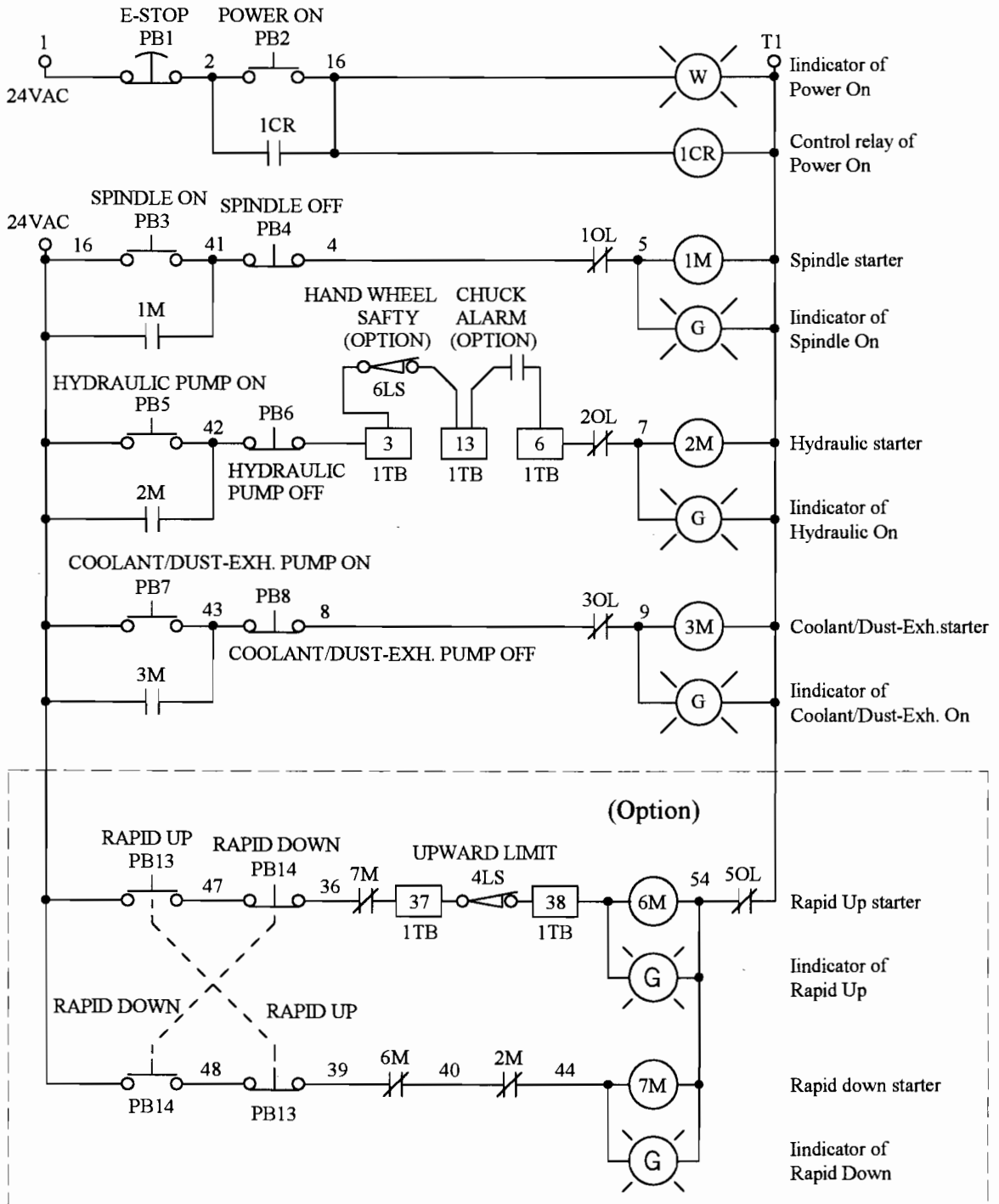


ACER - 618 AH

Main control power & motors circuit diagram



ACER - 618 AH
Main power transformer circuit diagram



D

D

C

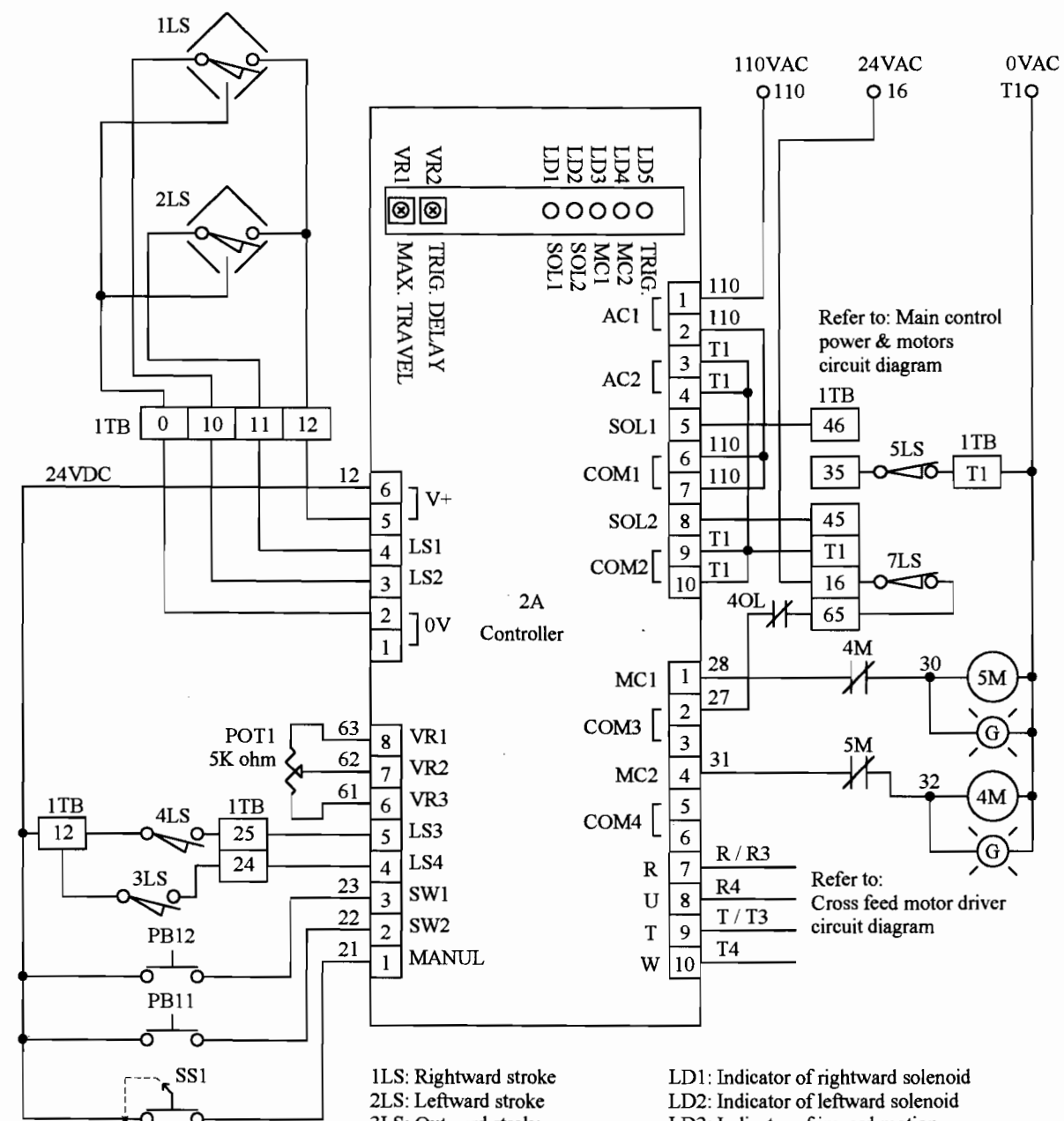
C

B

B

A

A



- 1LS: Rightward stroke
- 2LS: Leftward stroke
- 3LS: Outward stroke
- 4LS: Inward stroke
- 5LS: Throttle emplacement
- 7LS: Inward / outward limit
- 4M: Inward starter
- 5M: Outward starter
- PB11: Inward direction
- PB12: Outward direction
- POT1: Step increment adjustment
- SS1: Rapid / step selector
- LD1: Indicator of rightward solenoid
- LD2: Indicator of leftward solenoid
- LD3: Indicator of inward motion
- LD4: Indicator of outward motion
- LD5: Indicator of trigger signal
- VR1: Adjustment of maximum travel
- VR2: Adjustment of delay trigger

ACER - 618 AH

2A controller connection diagram