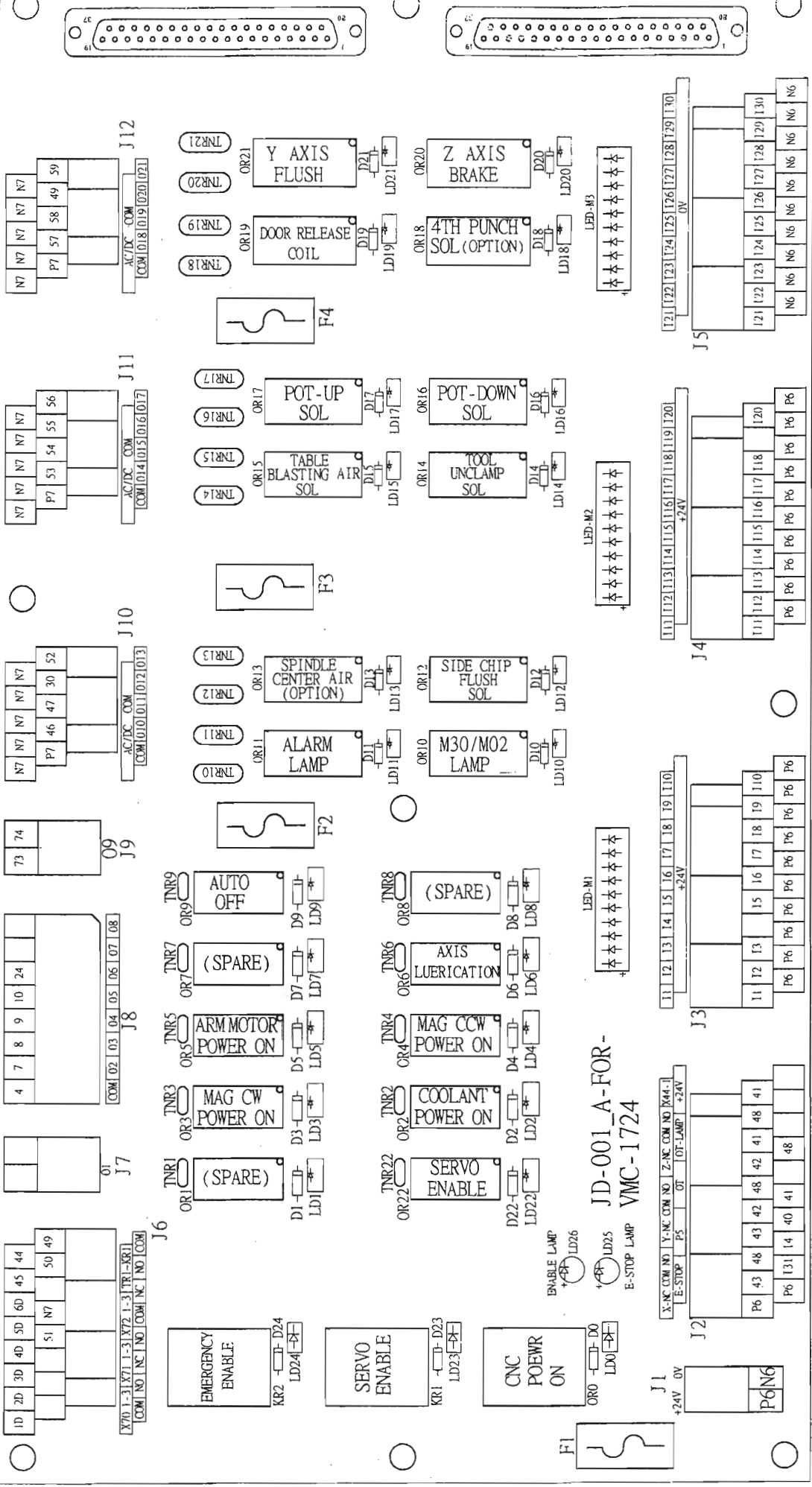
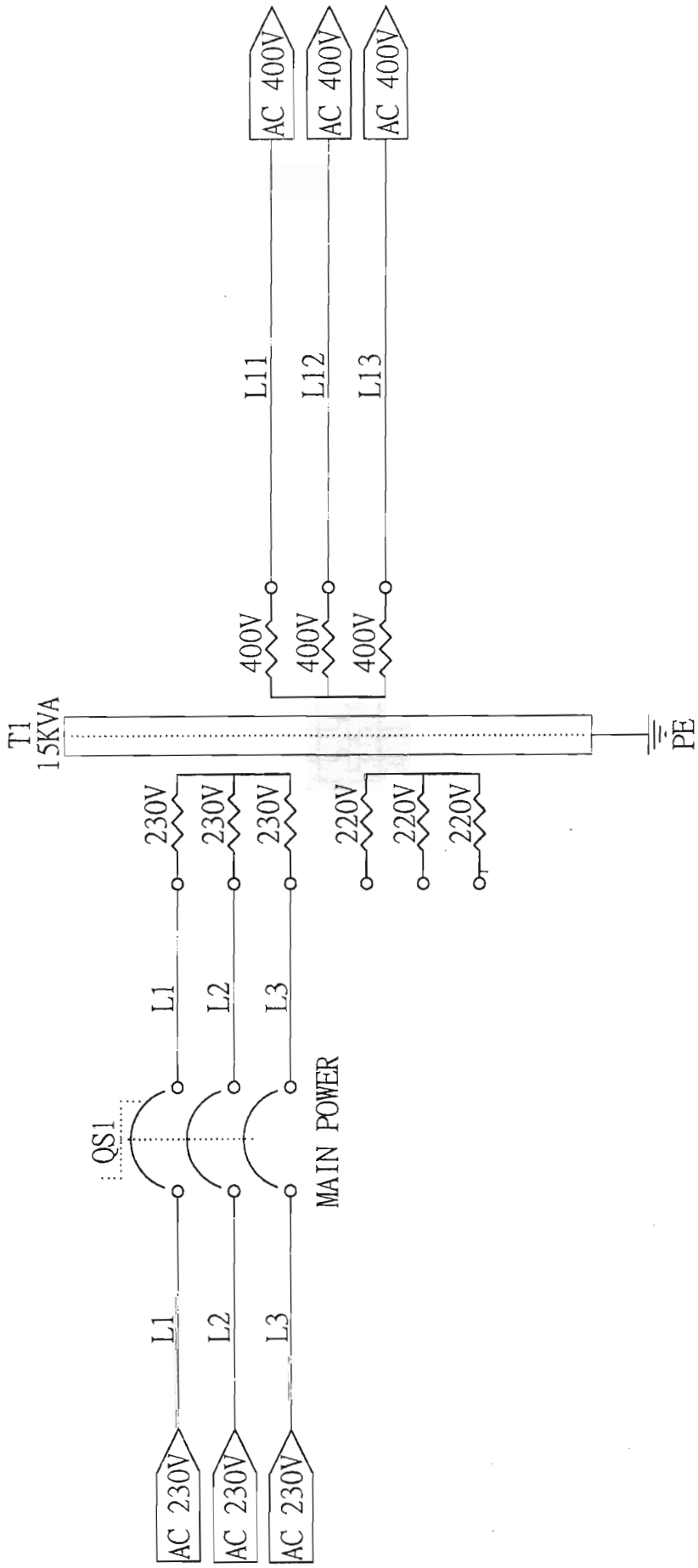
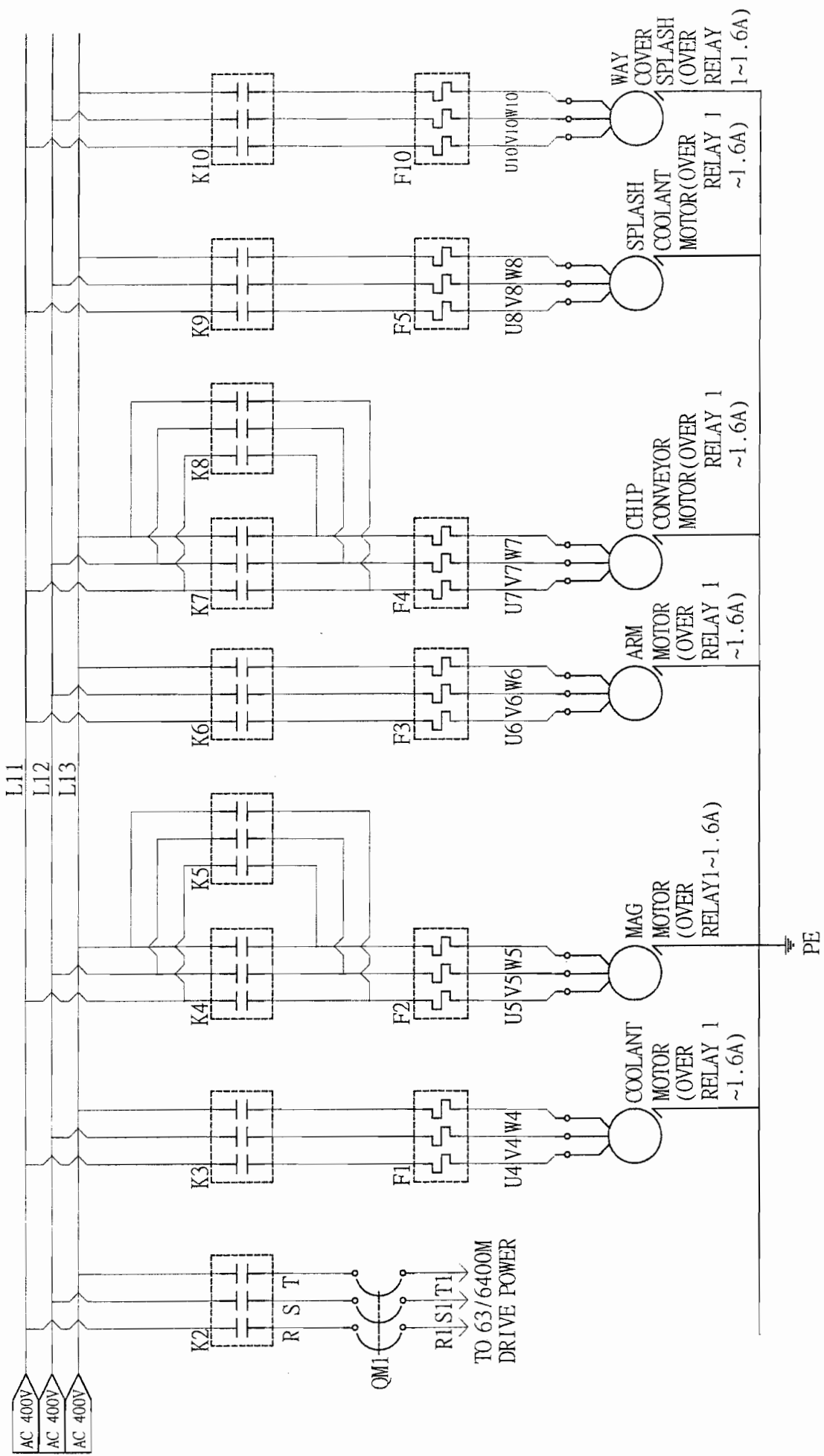
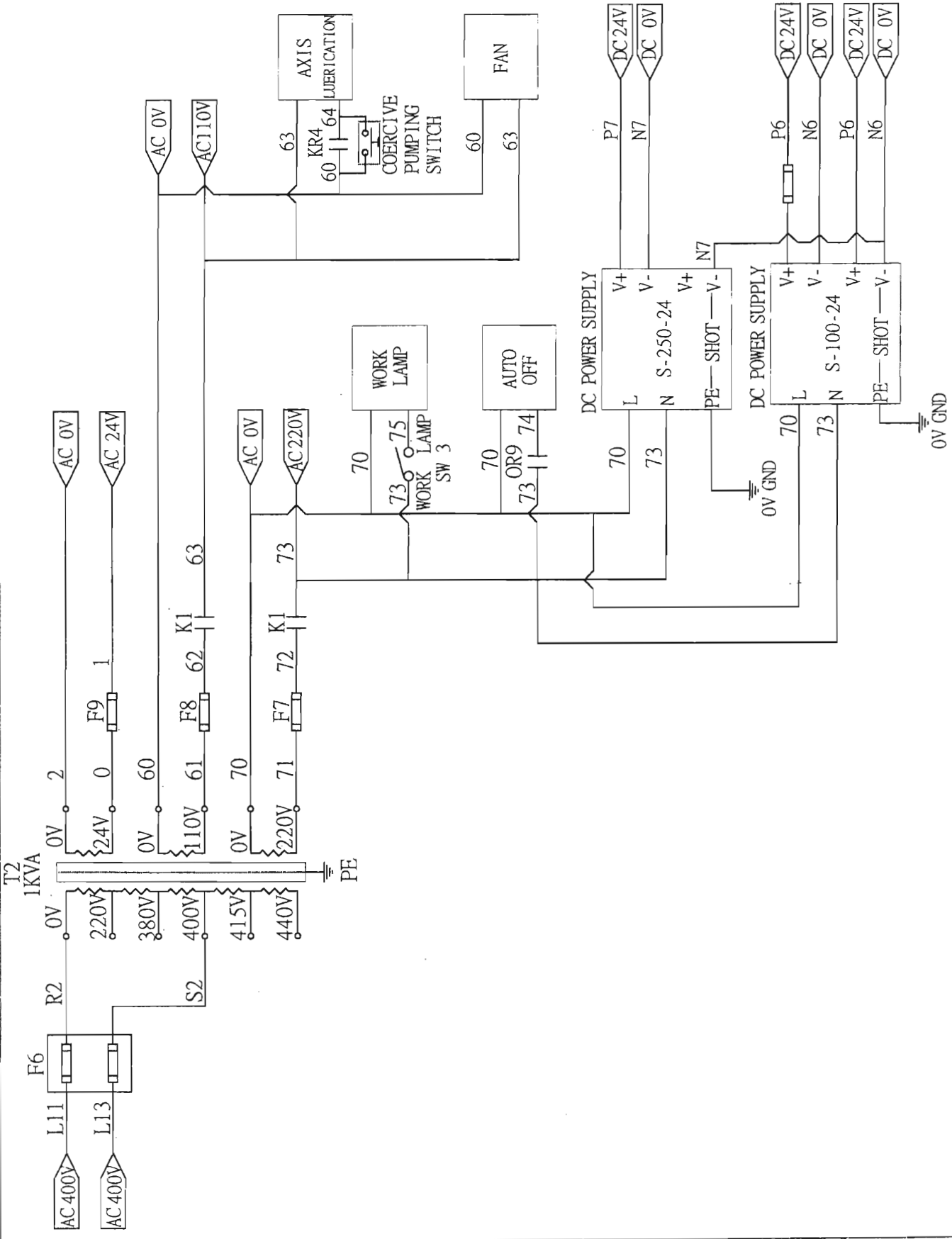


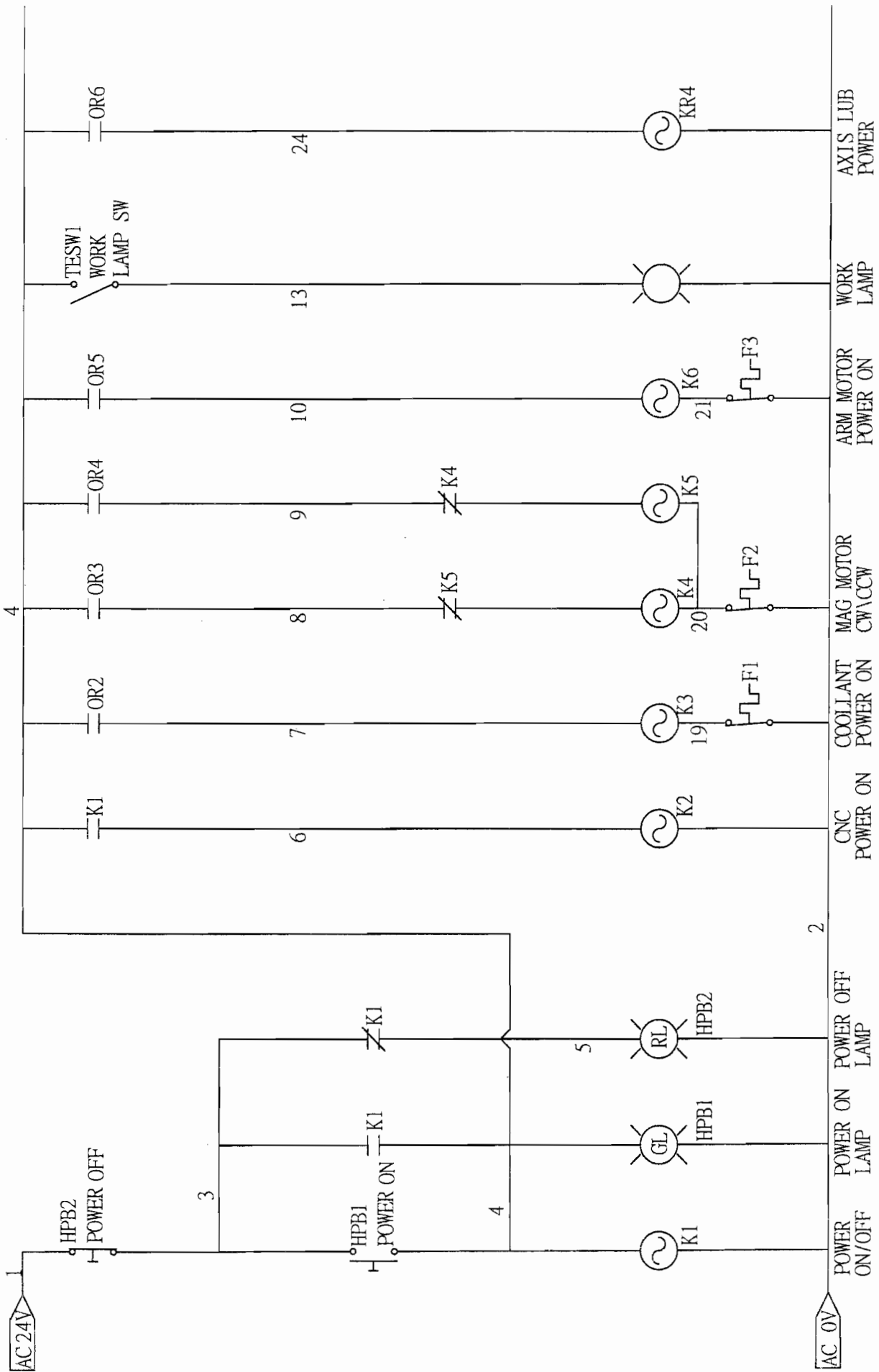
PART POSITION	PART #	DESCRIPTIONS	PART POSITION	PART #	DESCRIPTIONS
POWER 1	MC1724-HPB 1	POWER ON	PB 6	MC1724-PB 6	AUTO OFF
POWER 0	MC1724-HPB 2	POWER OFF	PB 7	MC1724-PB 7	TOOL UNCLAMP
SW 1	MC1724-SW 1	COOLANT	PB 8	MC1724-PB 8	TABLE BLAST
SW 2	MC1724-SW 2	SPLASH COOLANT POWER ON	PB 9	MC1724-PB 9	4TH AXIS (OPTION)
SW 3	MC1724-SW 3	WORK LAMP	PB 10	MC1724-PB 10	M01
SW 4	MC1724-SW 4	WAY COVER SPLASH	PB 11	MC1724-PB 11	BLOCK SKIP
TESW 1	MC1724-TESTW 1	WORK LAMP	PB 12	MC1724-PB 12	O.T. RELEASE
SPB 1	MC1724-SPB 1	EMERGENCY STOP	PB 13	MC1724-PB 13	CHIP CONVEYER
PB 1	MC1724-PB 1	MAG CW	PB 14	MC1724-PB 14	
PB 2	MC1724-PB 2	MAG CCW	PB 15	MC1724-PB 15	
PB 3	MC1724-PB 3	MAG HOME			
PB 4	MC1724-PB 4	ARM S. C			
PB 5	MC1724-PB 5	DOOR RELEASE			

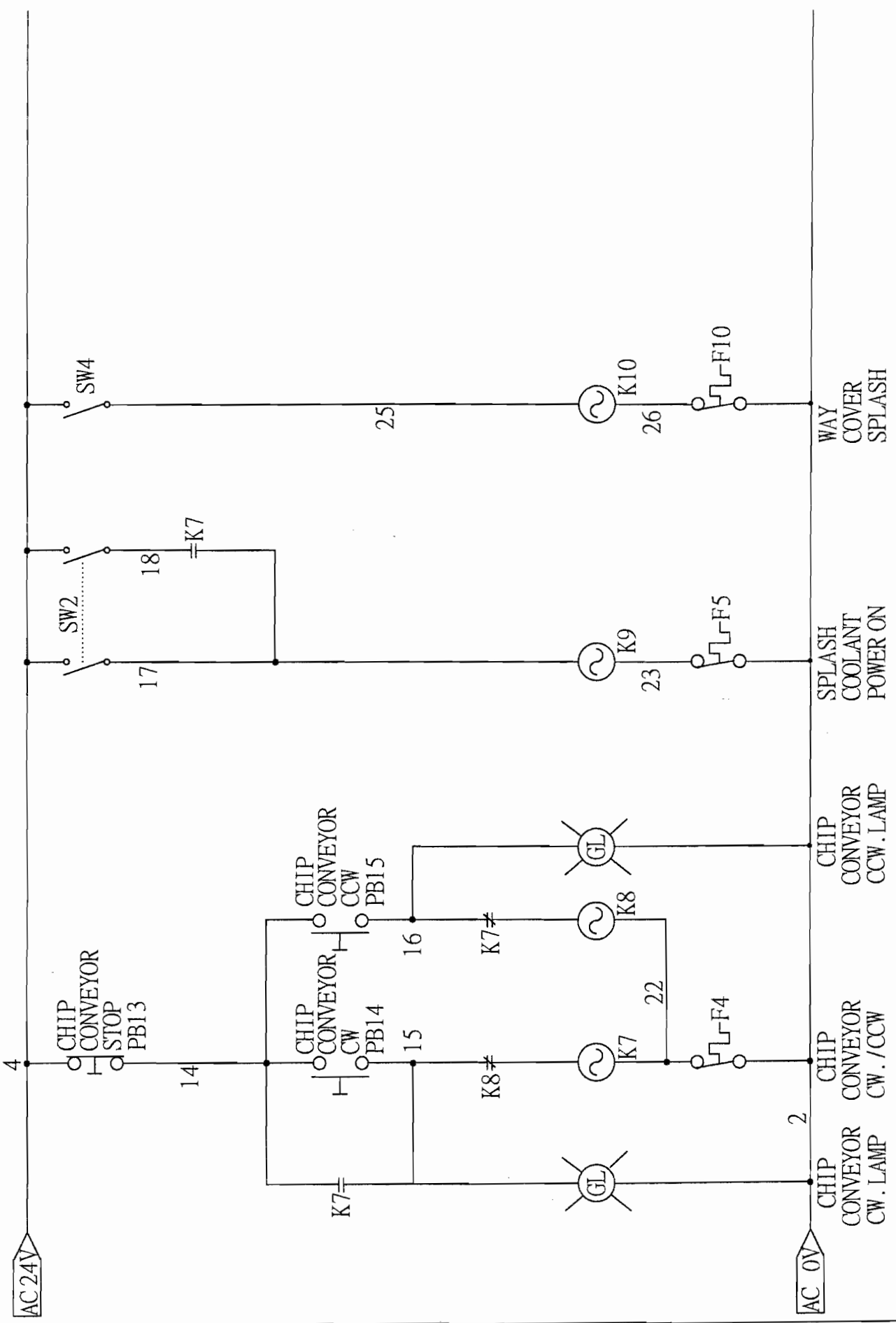


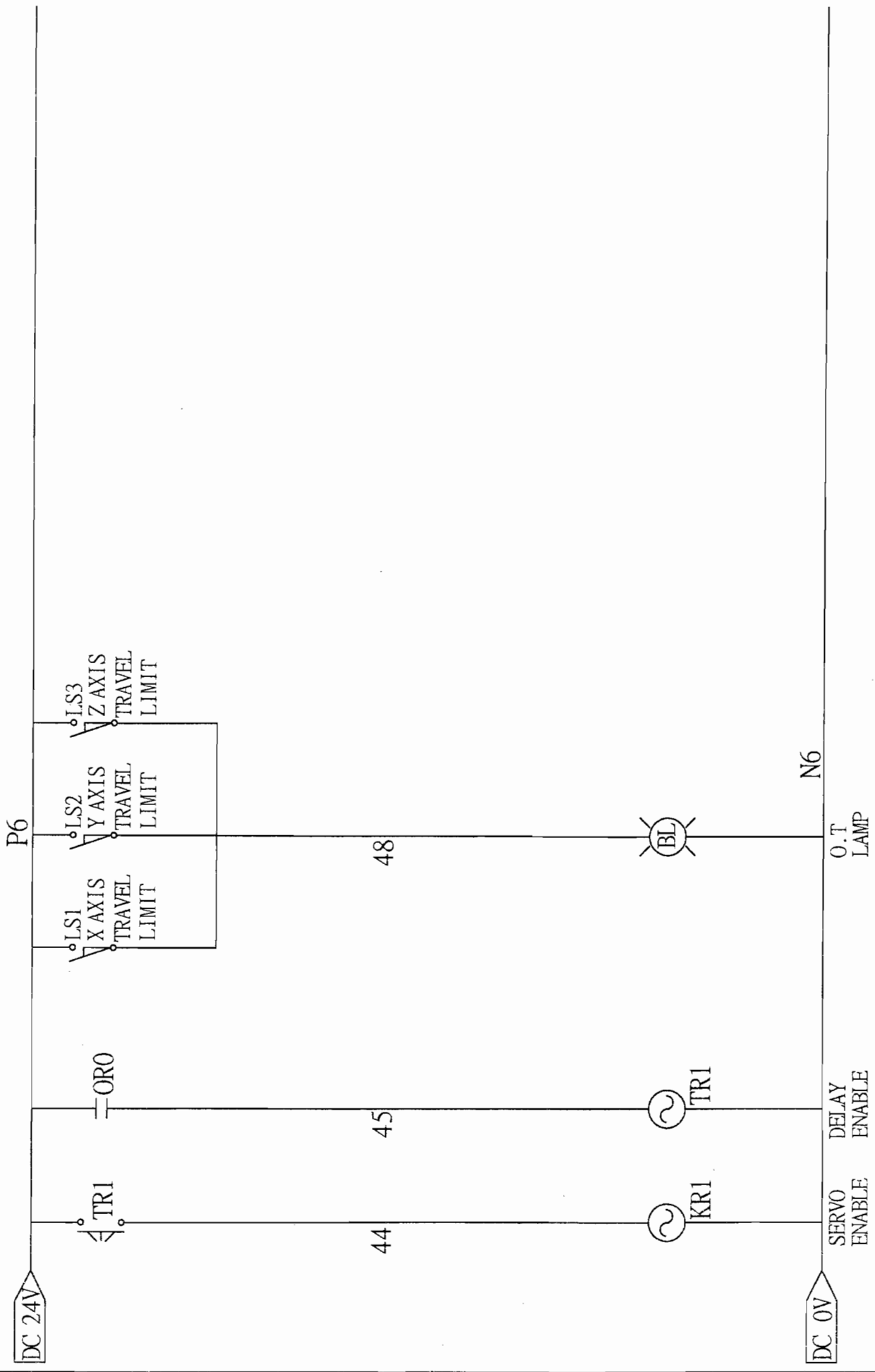










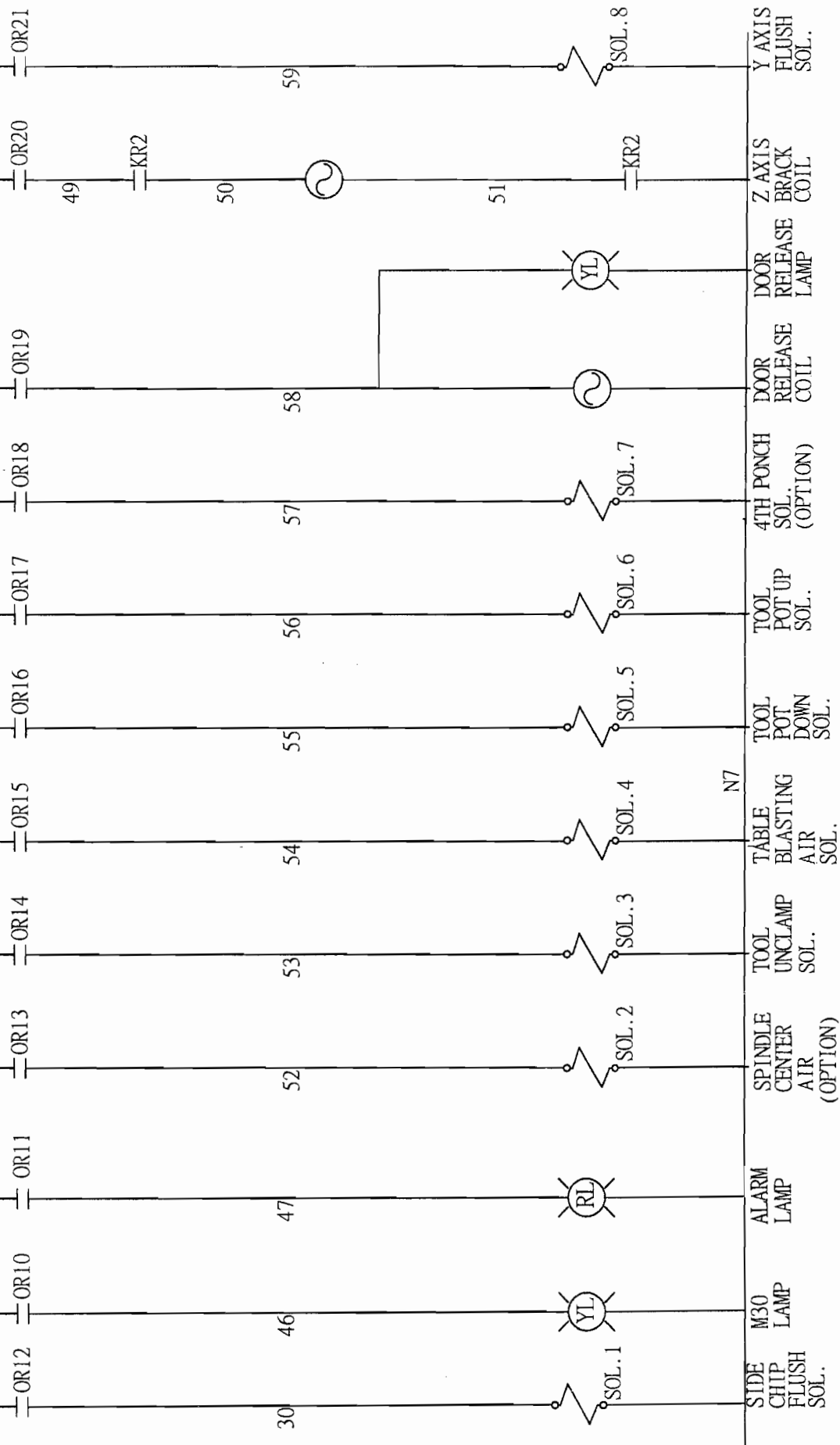


P7

DC 24V

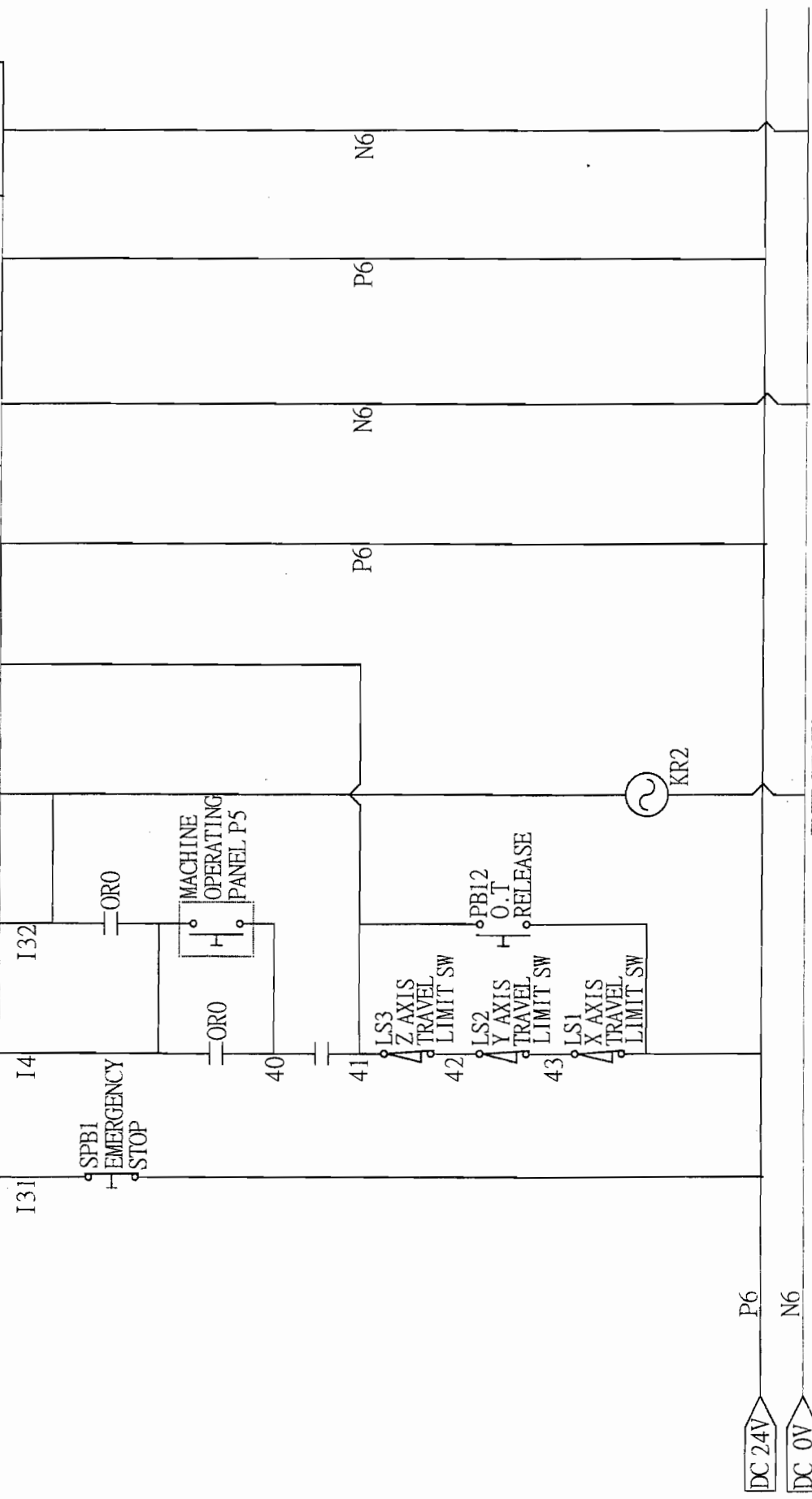
DC 0V

N7

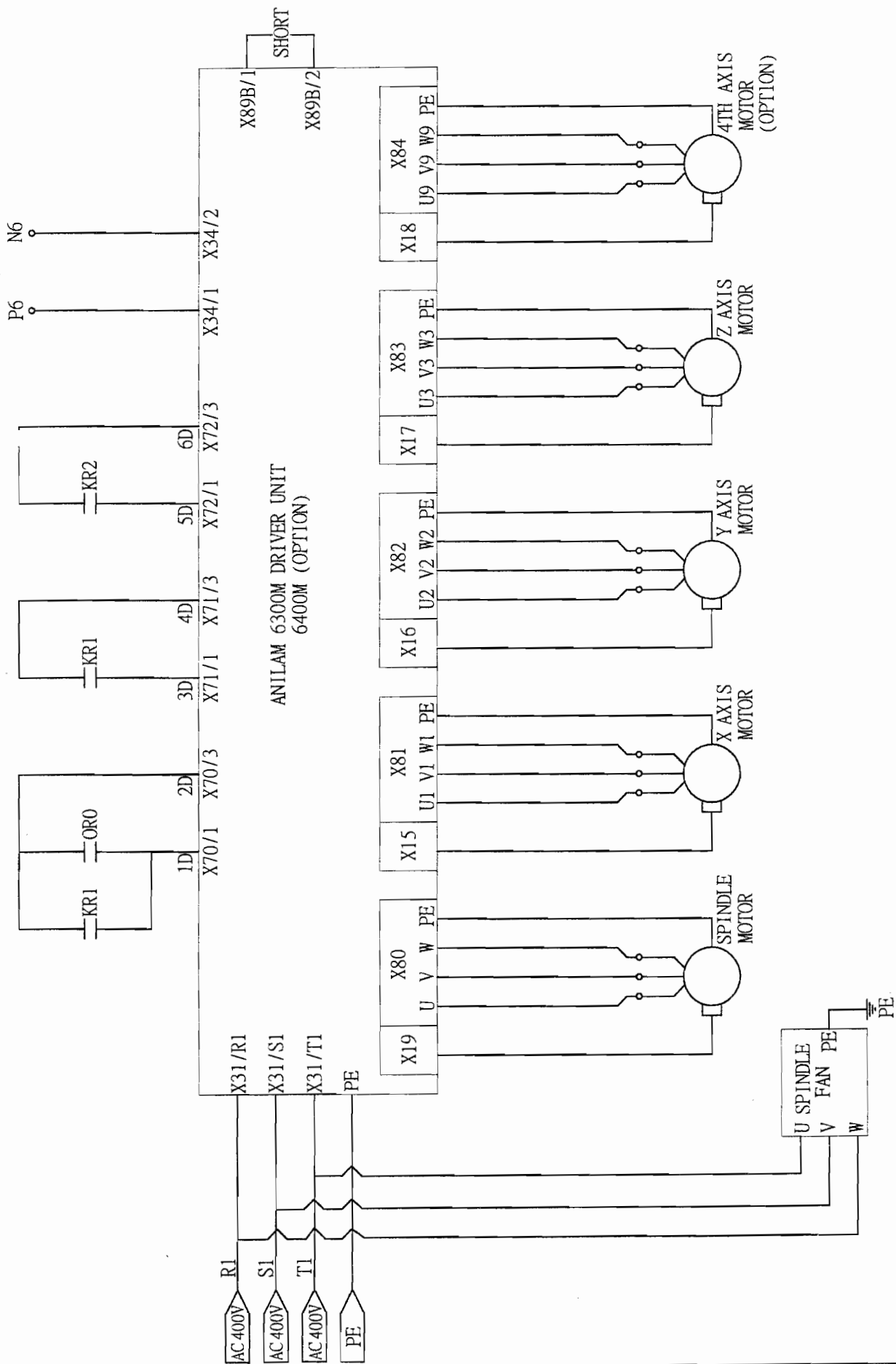


- 30 SIDE CHIP FLUSH SOL.
- 46 M30 LAMP
- 47 ALARM LAMP
- 52 SPINDLE CENTER AIR (OPTION)
- 53 TOOL UNCLAMP SOL.
- 54 TABLE BLASTING AIR SOL.
- 55 TOOL POT DOWN SOL.
- 56 TOOL POT UP SOL.
- 57 4TH PUNCH SOL. (OPTION)
- 58 DOOR RELEASE COIL
- 59 DOOR RELEASE LAMP
- 51 Z AXIS BRACK COIL
- 49 YL
- 20 Y AXIS FLUSH SOL.
- 21 OR21

PROT INTERFACE	X42 (INPUT PORT)			X44 - CONNECTOR	X34 - CONNECTOR
ADDRESS	X0.29	X0.3	X0.30		
CNC PIN NO.	X42-31	X42-5	X42-32	X44-1	X44-3
	I31	I4	I32	X44-2	X34-1
				X44-3	X34-2



EMERGENCY
ENABLE



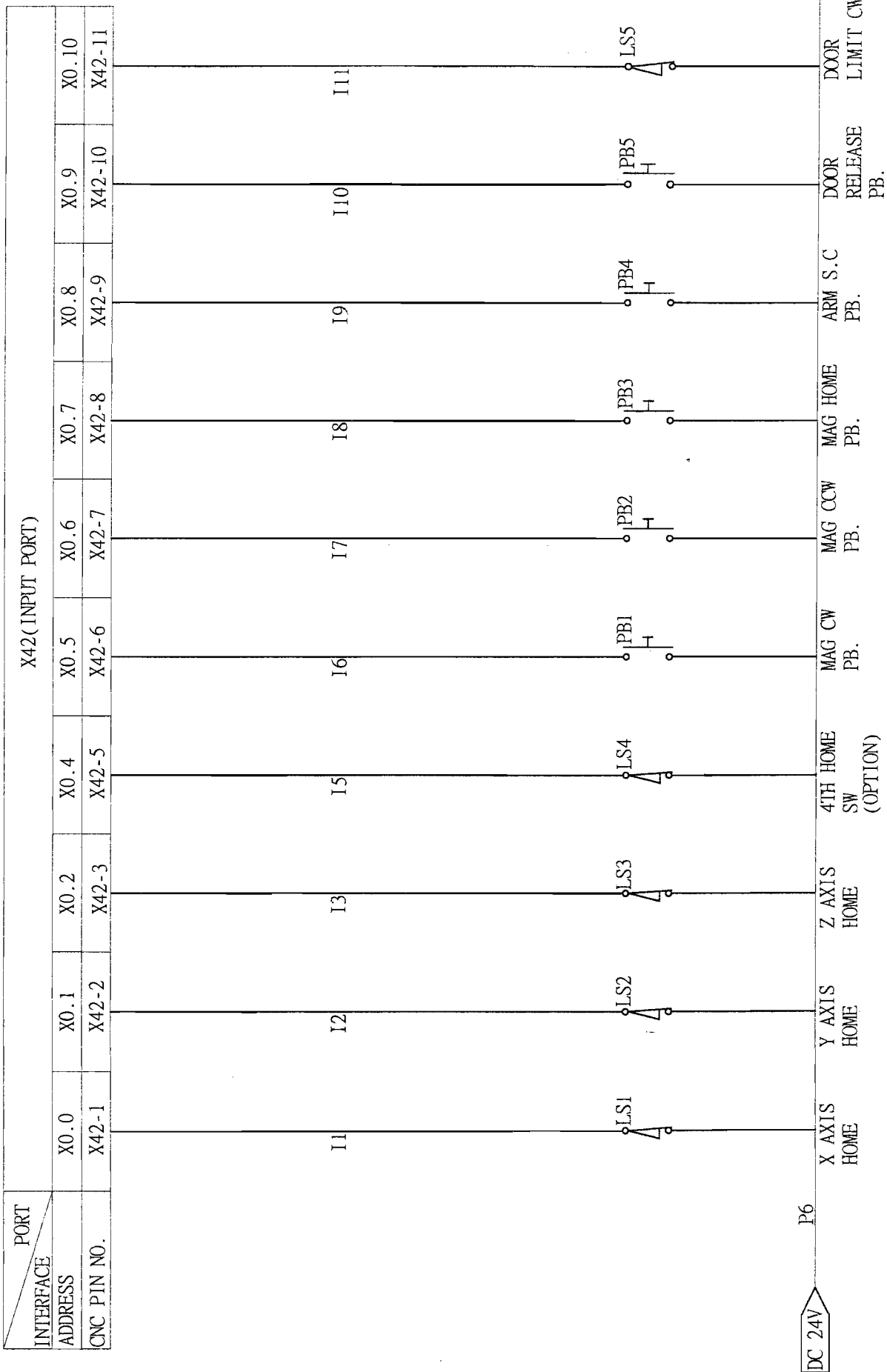
ANILAM 4TH DRIVER 25 PIN	(1)	(2)	(3)	(4)	(6)	(7)	(8)	(13)	(14)	(16)	(17)	(18)	(19)	(20)	(21)	(22)	(25)	(SHELL)
--------------------------------	-----	-----	-----	-----	-----	-----	-----	------	------	------	------	------	------	------	------	------	------	---------

BROWN/GREEN	WHITE/GREEN	GREEN/BLACK	YELLOW/BLACK	BLUE/BLACK	RED/BLACK	INTERNAL SHIELD	YELLOW	BLUE	WHITE	RED	BLACK	GREEN	BROWN	GRAY	PINK	PURPLE	CHASSIS
-------------	-------------	-------------	--------------	------------	-----------	-----------------	--------	------	-------	-----	-------	-------	-------	------	------	--------	---------

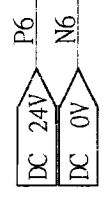
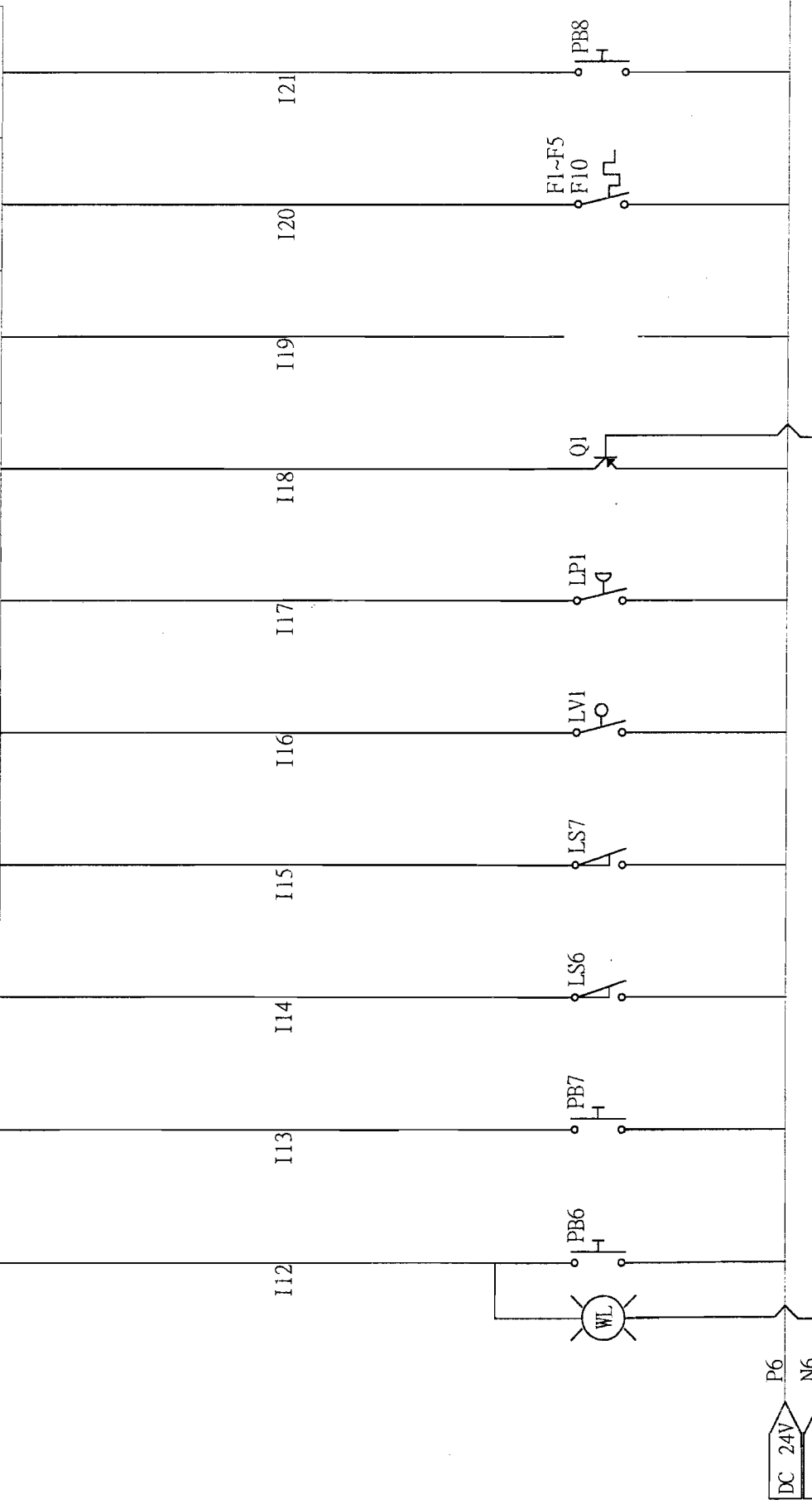
MAS-3102A 22-145	(A)	(B)	(C)	(D)	(E)	(F)	(G)	(H)	(J)	(K)	(L)	(M)	(N)	(U)	(P)	(V)	(T)	(R)
---------------------	-----	-----	-----	-----	-----	-----	-----	-----	-----	-----	-----	-----	-----	-----	-----	-----	-----	-----

MAS-3102A 28-115	(G)	(H)	(J)	(K)	(L)	(M)	(A)	(B)	(C)	(R)	(S)	(N)	(P)
---------------------	-----	-----	-----	-----	-----	-----	-----	-----	-----	-----	-----	-----	-----

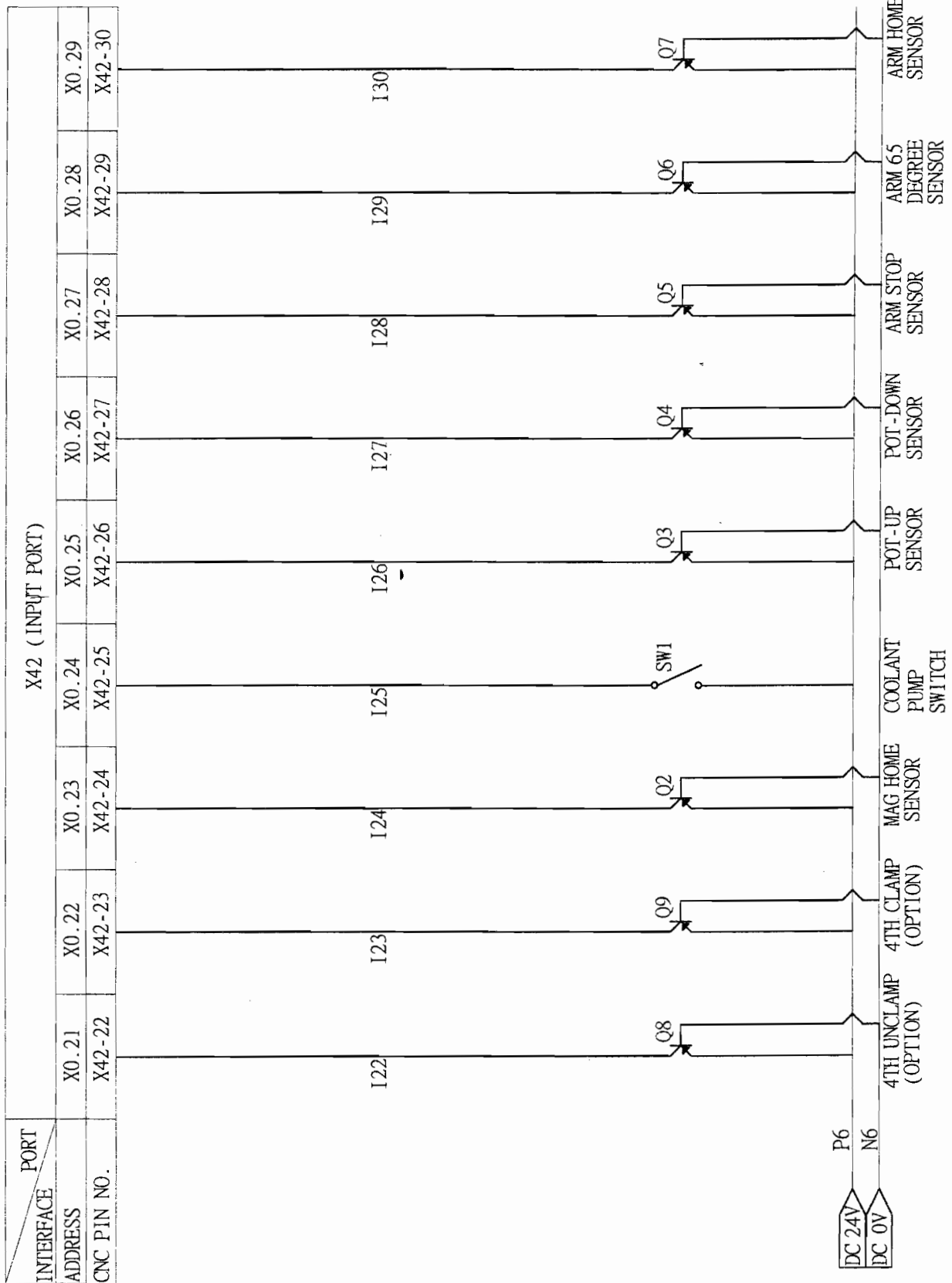
<	>
<	>
<	U9 >
<	V9 > MOTOR DRIVE
<	W9 >
<	GED >
<	P6 >
<	I22 > 4TH CLAMP
<	I23 > 4TH UNCLAMP
<	P6 > 4TH HOME
<	I5 >
<	N7 > 4TH BARKE
<	57 > SOL.

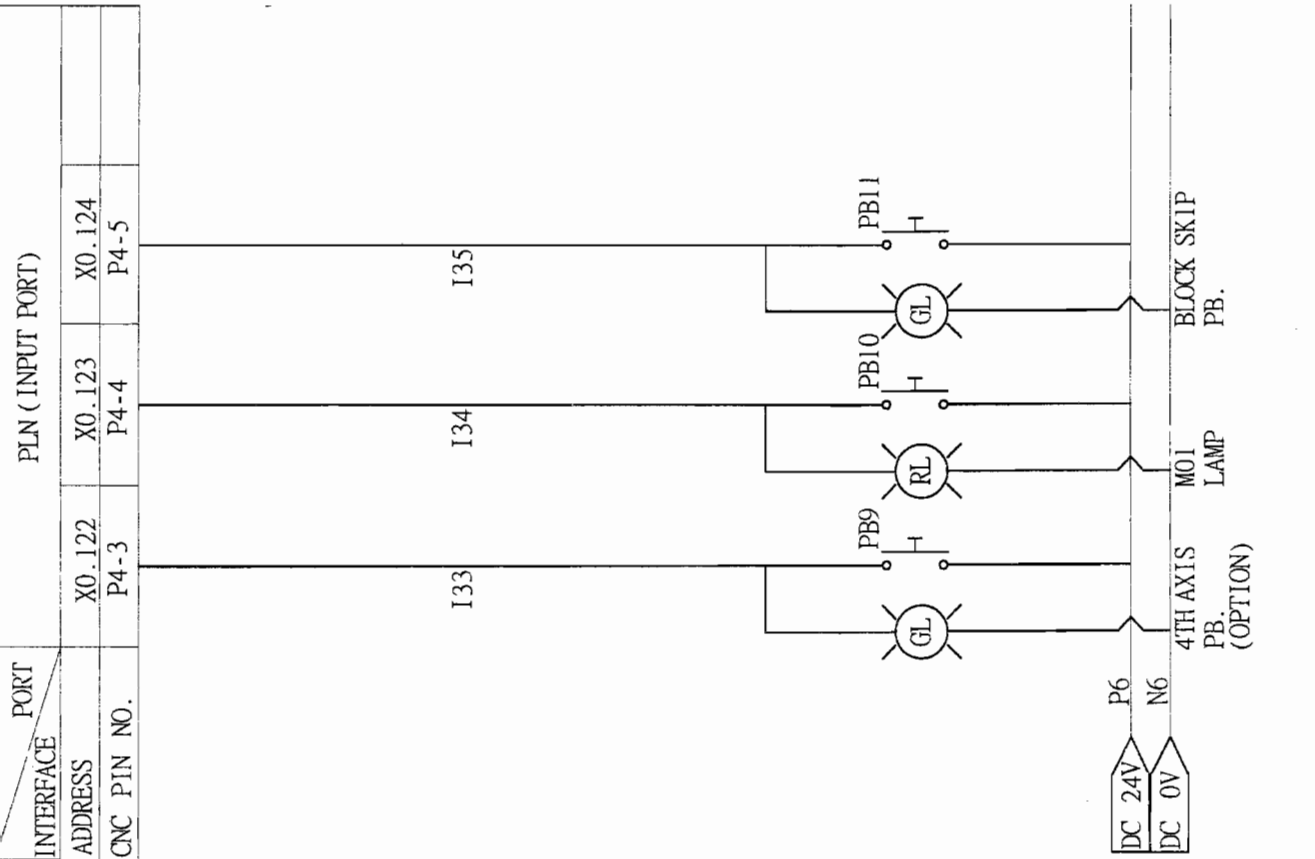


PORT		X42 (INPUT PORT)									
INTERFACE	ADDRESS	X0.11	X0.12	X0.13	X0.14	X0.15	X0.16	X0.17	X0.18	X0.19	X0.20
CNC PIN NO.		X42-12	X42-13	X42-14	X42-15	X42-16	X42-17	X42-18	X42-19	X42-20	X42-21

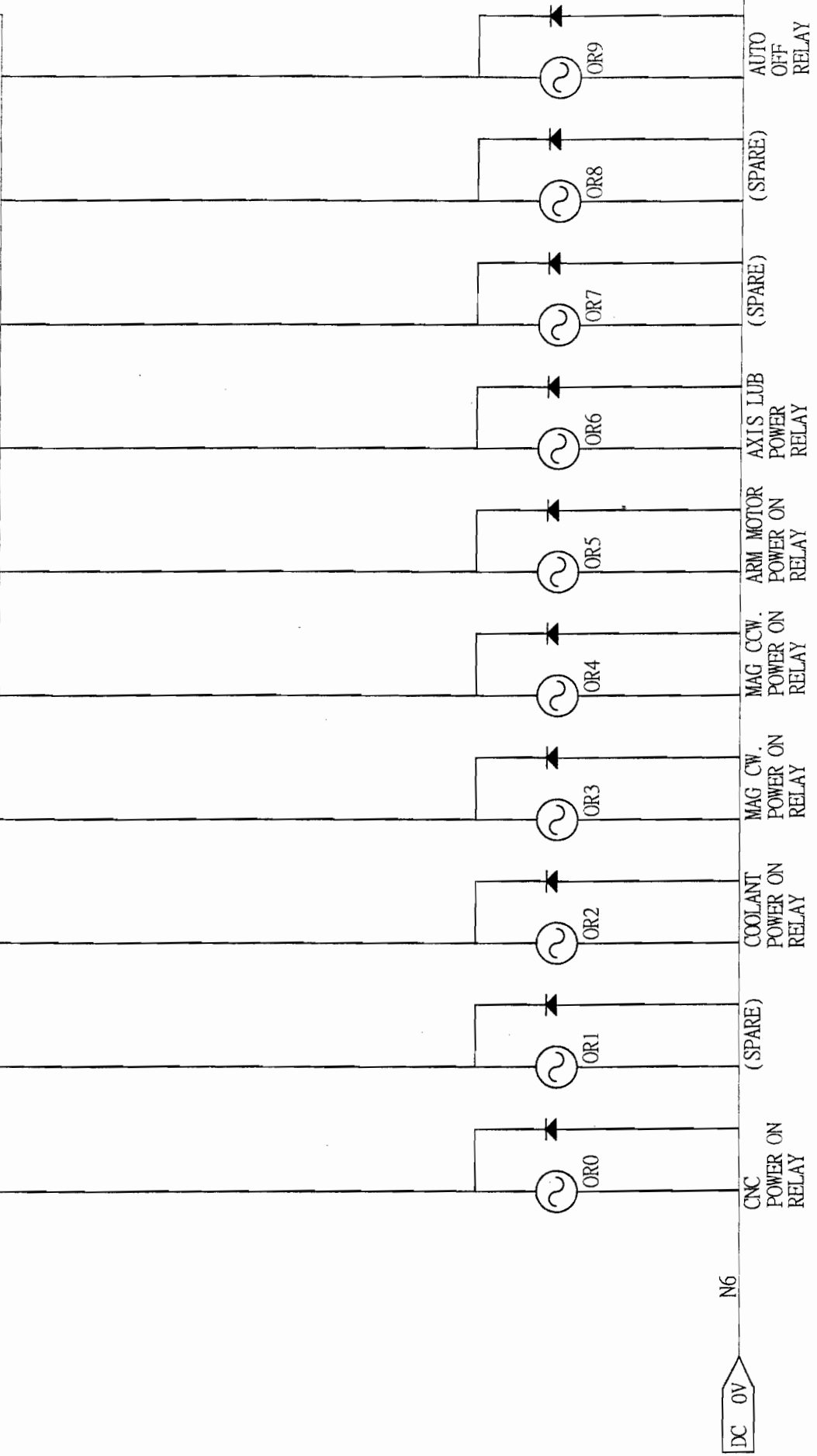


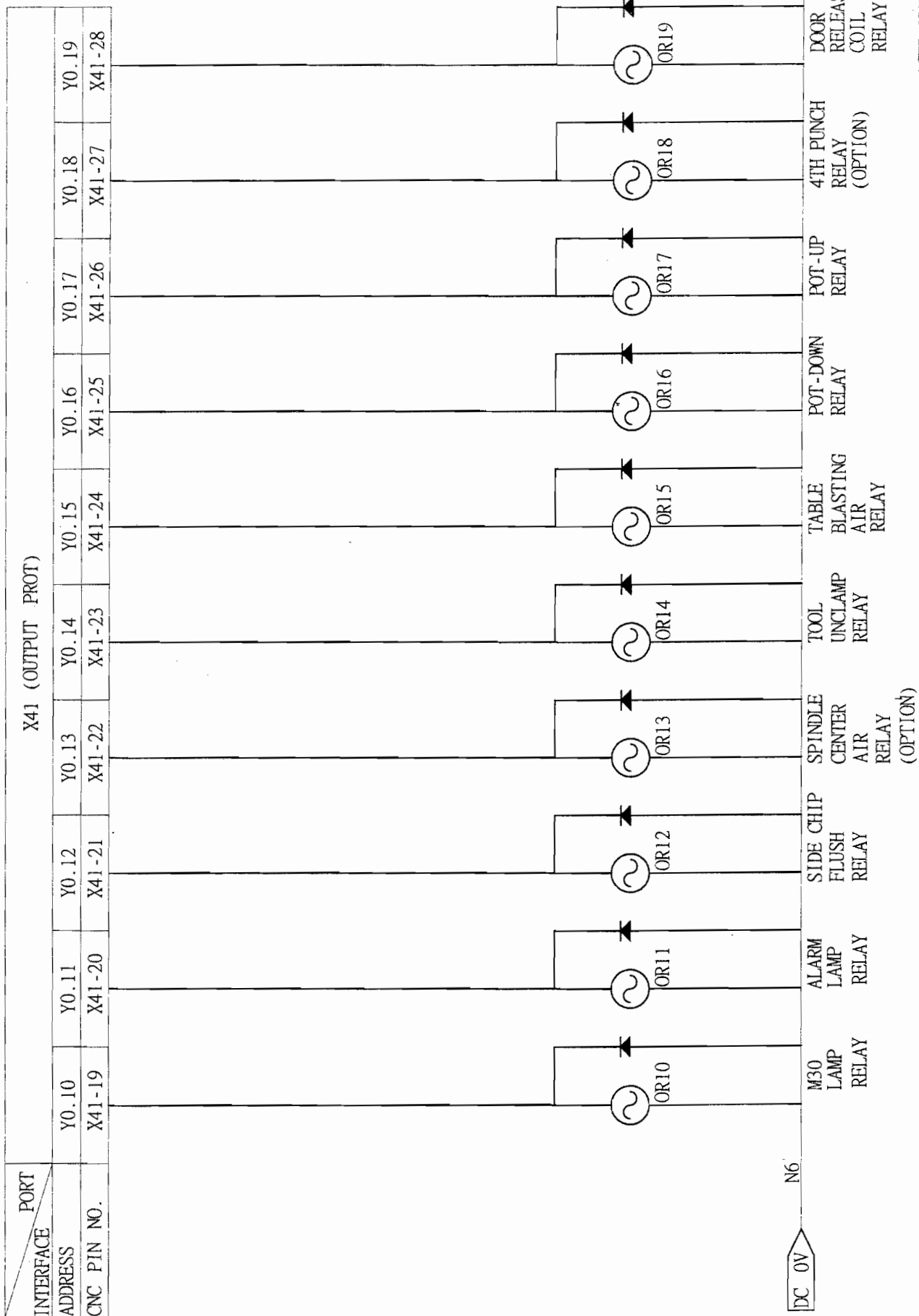
- AUTO POWER OFF PB.
- TOOL UNCLAMP PB.
- TOOL UNCLAMP LIMIT SW
- TOOL UNCLAMP LIMIT SW
- TOOL CLAMP LIMIT SW
- LUBRICATION LOW OIL ALARM
- AIR PRESSURE
- MAG COUNTER SENSOR
- (OPTION)
- MOTOR OVERLOAD
- TABLE BLAST AIR PB.





PORT		X41 (OUTPUT PORT)									
INTERFACE ADDRESS		Y0.0	Y0.1	Y0.2	Y0.3	Y0.4	Y0.5	Y0.6	Y0.7	Y0.8	Y0.9
CNC PIN NO.		X41-9	X41-10	X41-11	X41-12	X41-13	X41-14	X41-15	X41-16	X41-17	X41-18





ANILAM
6300M\6400M

X27 (CNC SIDE) 9-PIN	RS-232 25-PIN
(2)	(2)
(3)	(3)
(4)	(6)
(5)	(7)
(6)	(20)