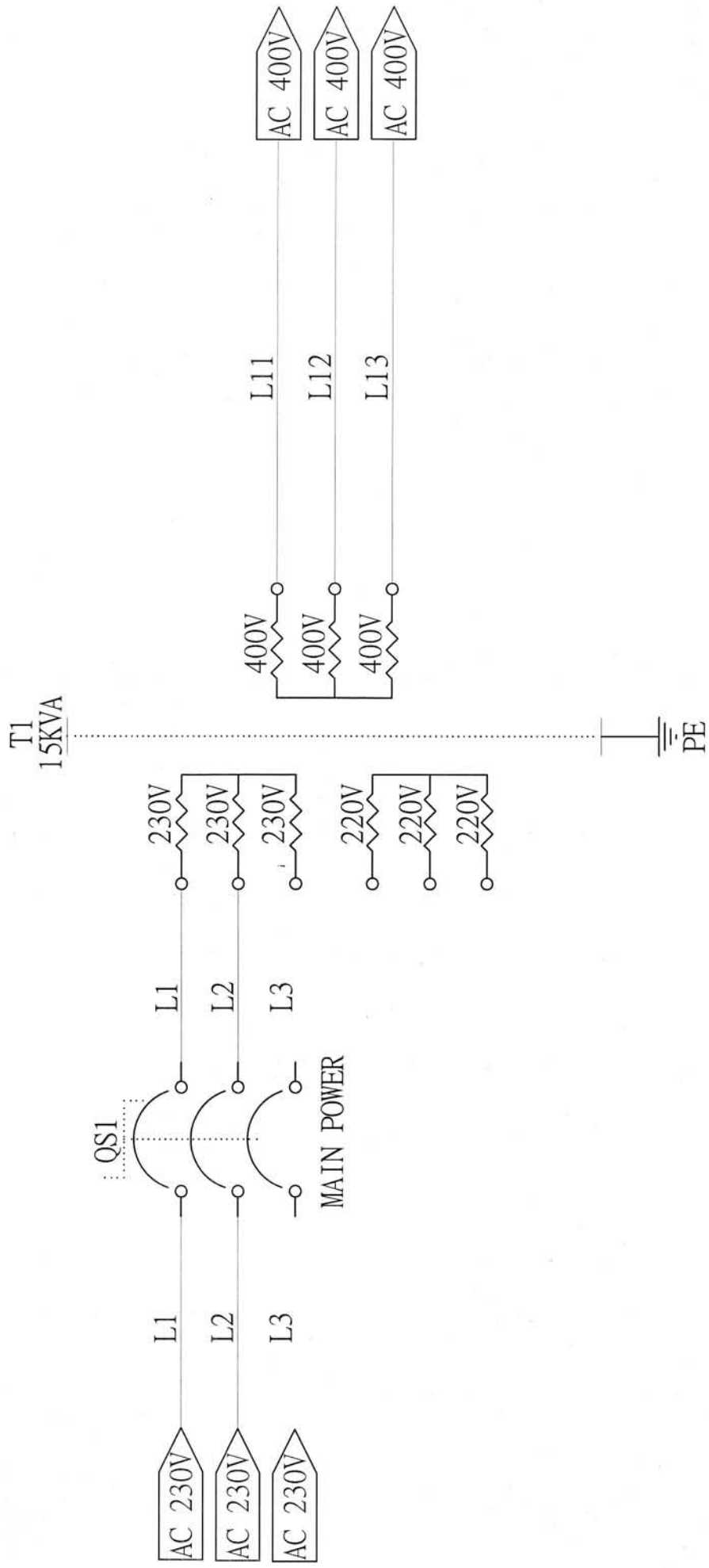
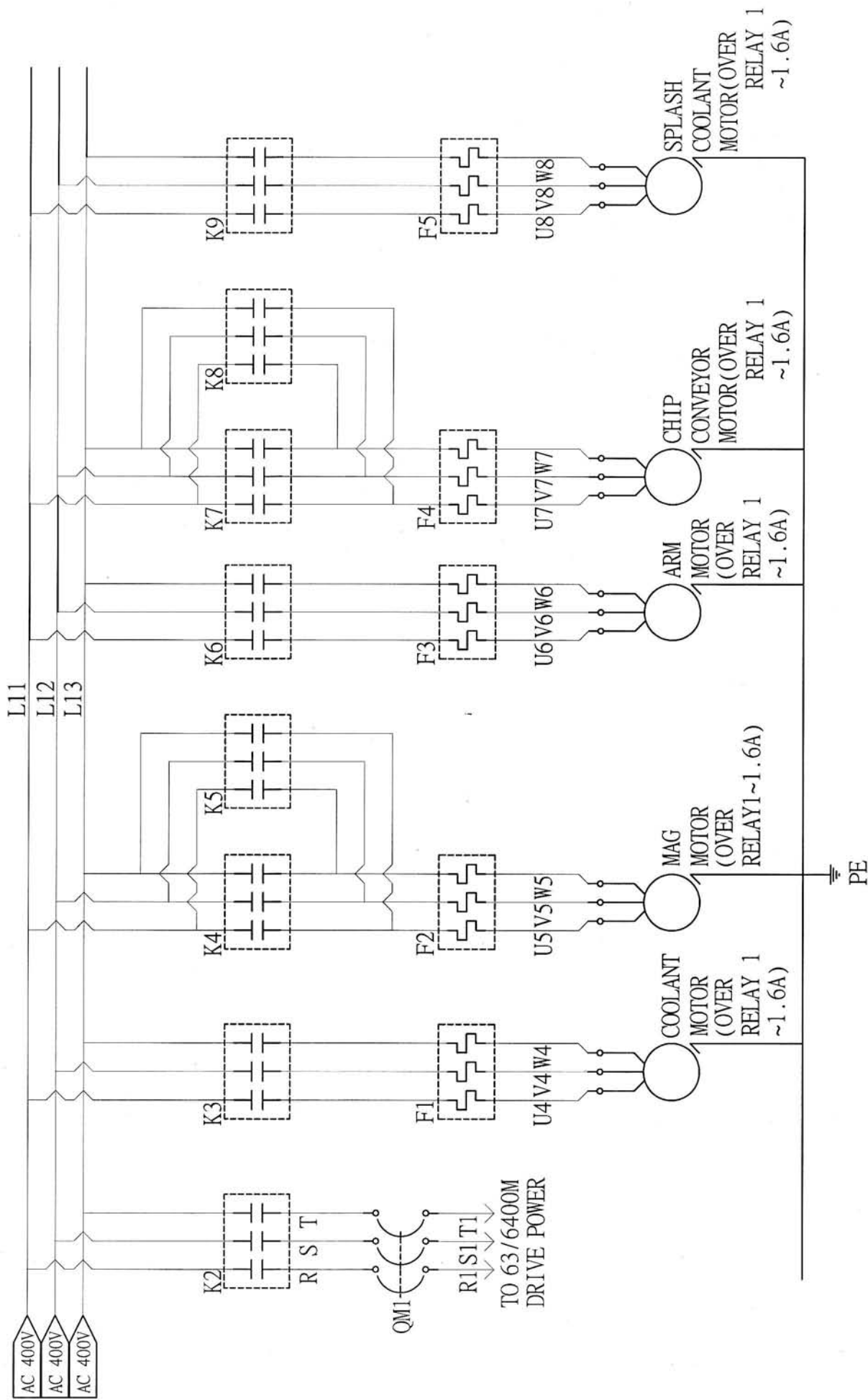
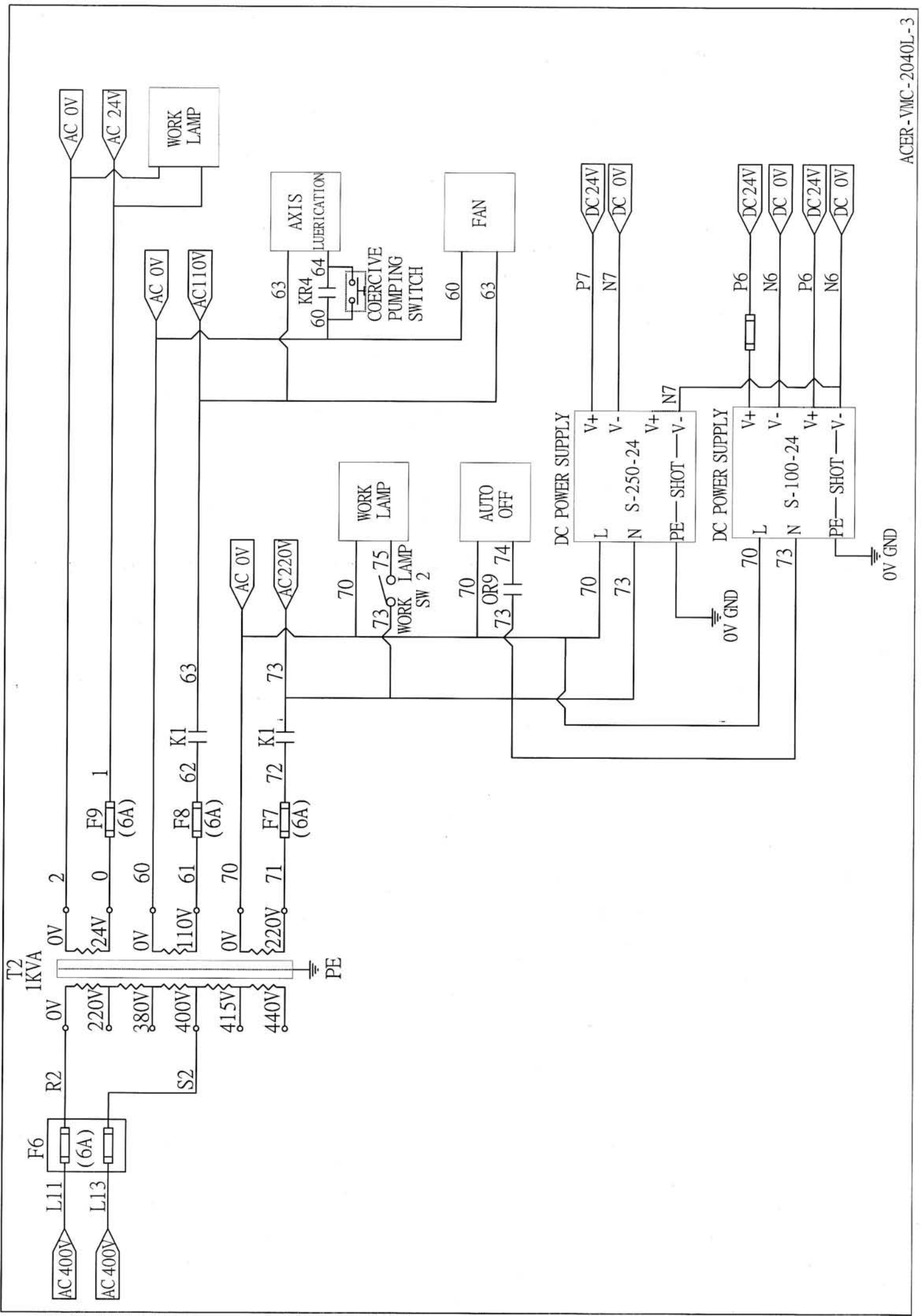
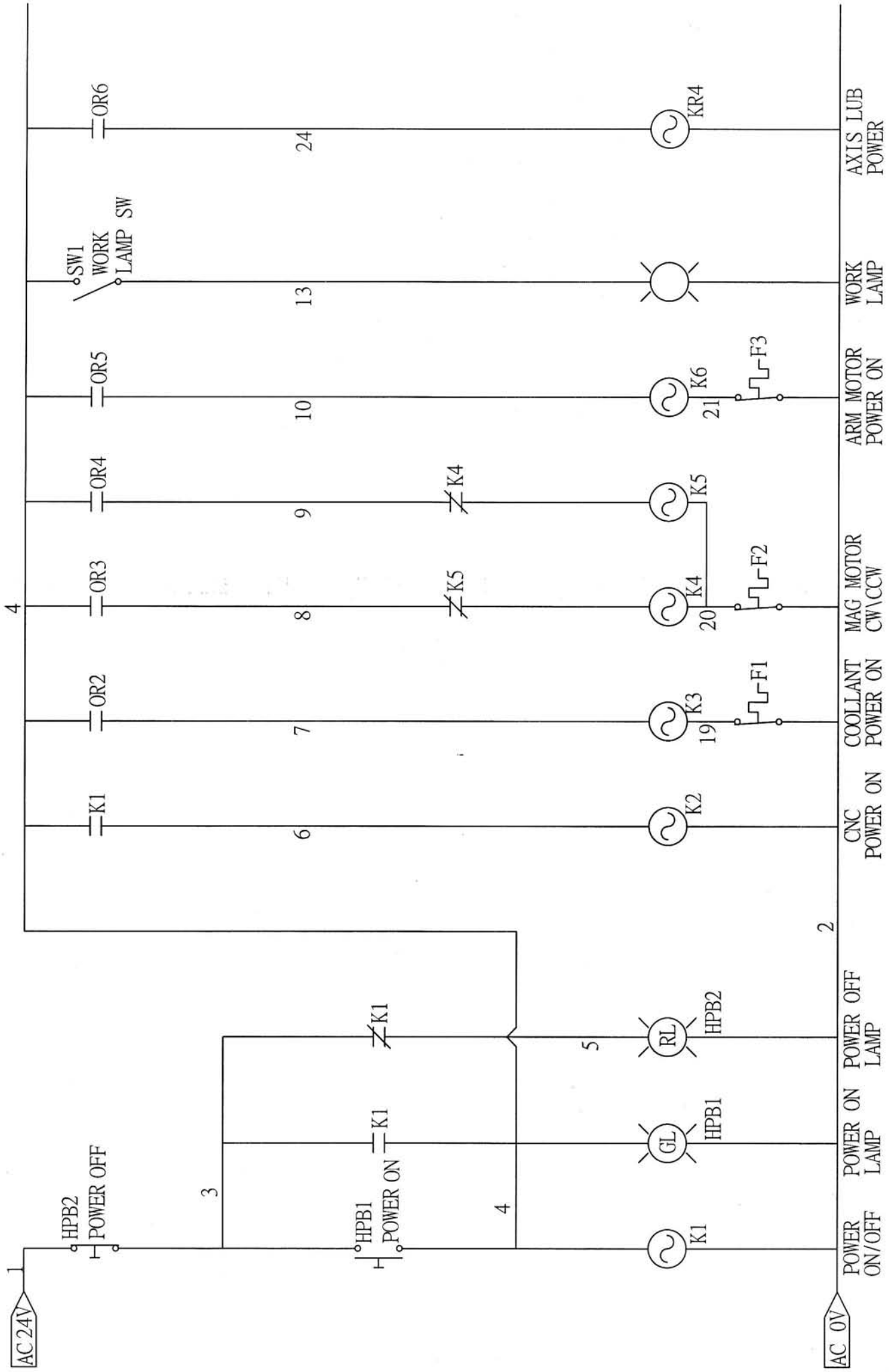


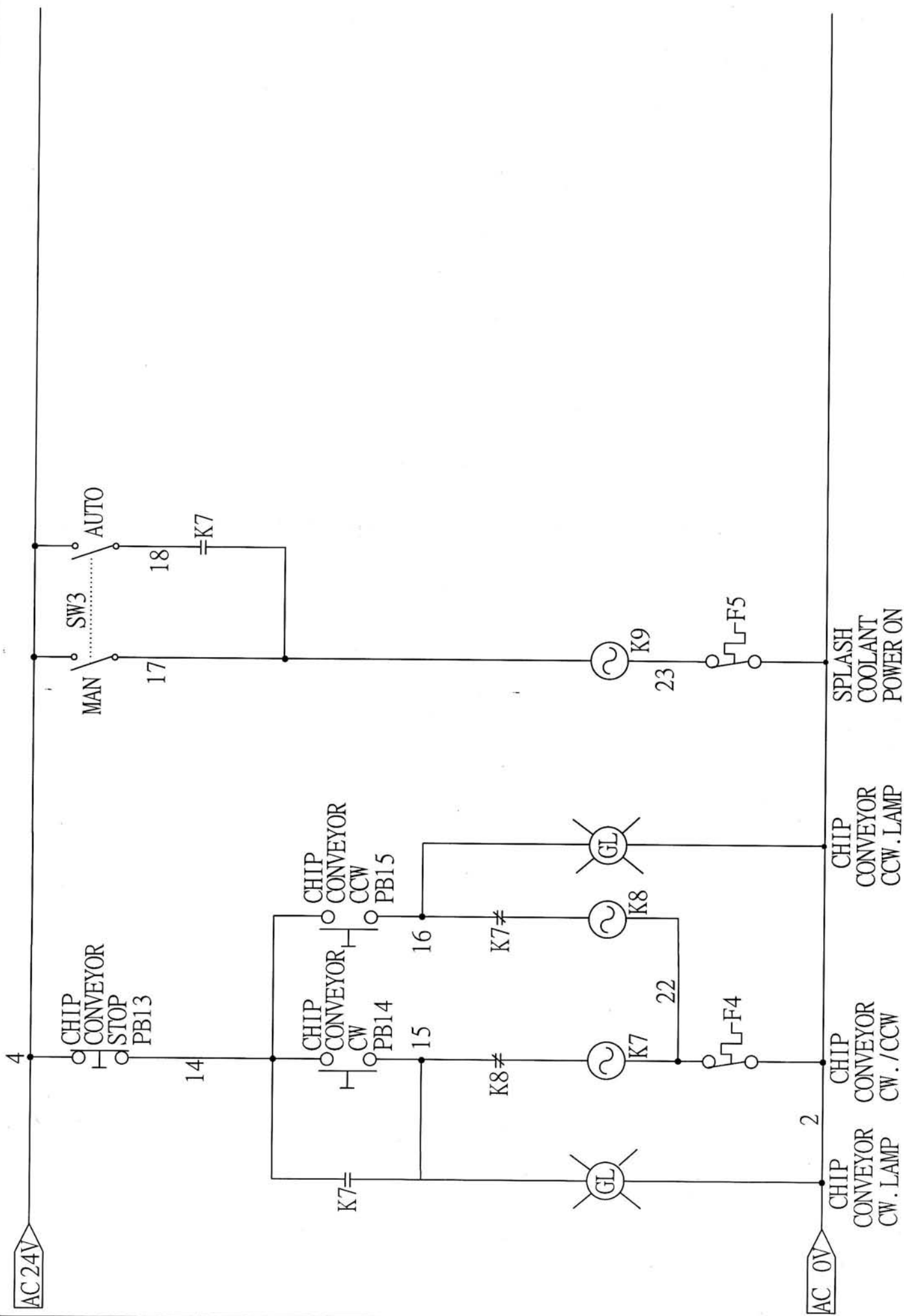
PART POSITION	PART #	DESCRIPTIONS	PART POSITION	PART #	DESCRIPTIONS
POWER 1	MC2040L-HPB 1	POWER ON	PB 6	MC2040L-PB 6	AUTO OFF
POWER 0	MC2040L-HPB 2	POWER OFF	PB 7	MC2040L-PB 7	TOOL UNCLAMP
SW 1	MC2040L-SW 1	WORK LAMP	PB 8	MC2040L-PB 8	TABLE BLAST
SW 2	MC2040L-SW 2	WORK LAMP	PB 9	MC2040L-PB 9	4TH AXIS (OPTION)
SW 3	MC2040L-SW 3	SPLASH COOLANT POWER ON	PB 10	MC2040L-PB 10	M01
SPB 1	MC2040L-SPB 1	EMERGENCY STOP	PB 11	MC2040L-PB 11	BLOCK SKIP
PB 1	MC2040L-PB 1	MAG CW	PB 12	MC2040L-PB 12	O.T. RELEASE
PB 2	MC2040L-PB 2	MAG CCW	PB 13	MC2040L-PB 13	CHIP CONVEYER
PB 3	MC2040L-PB 3	MAG HOME	PB 14	MC2040L-PB 14	↔
PB 4	MC2040L-PB 4	ARM S.C	PB 15	MC2040L-PB 15	↔
PB 5	MC2040L-PB 5	DOOR RELEASE	PB 16	MC2040L-PB 16	COOLANT

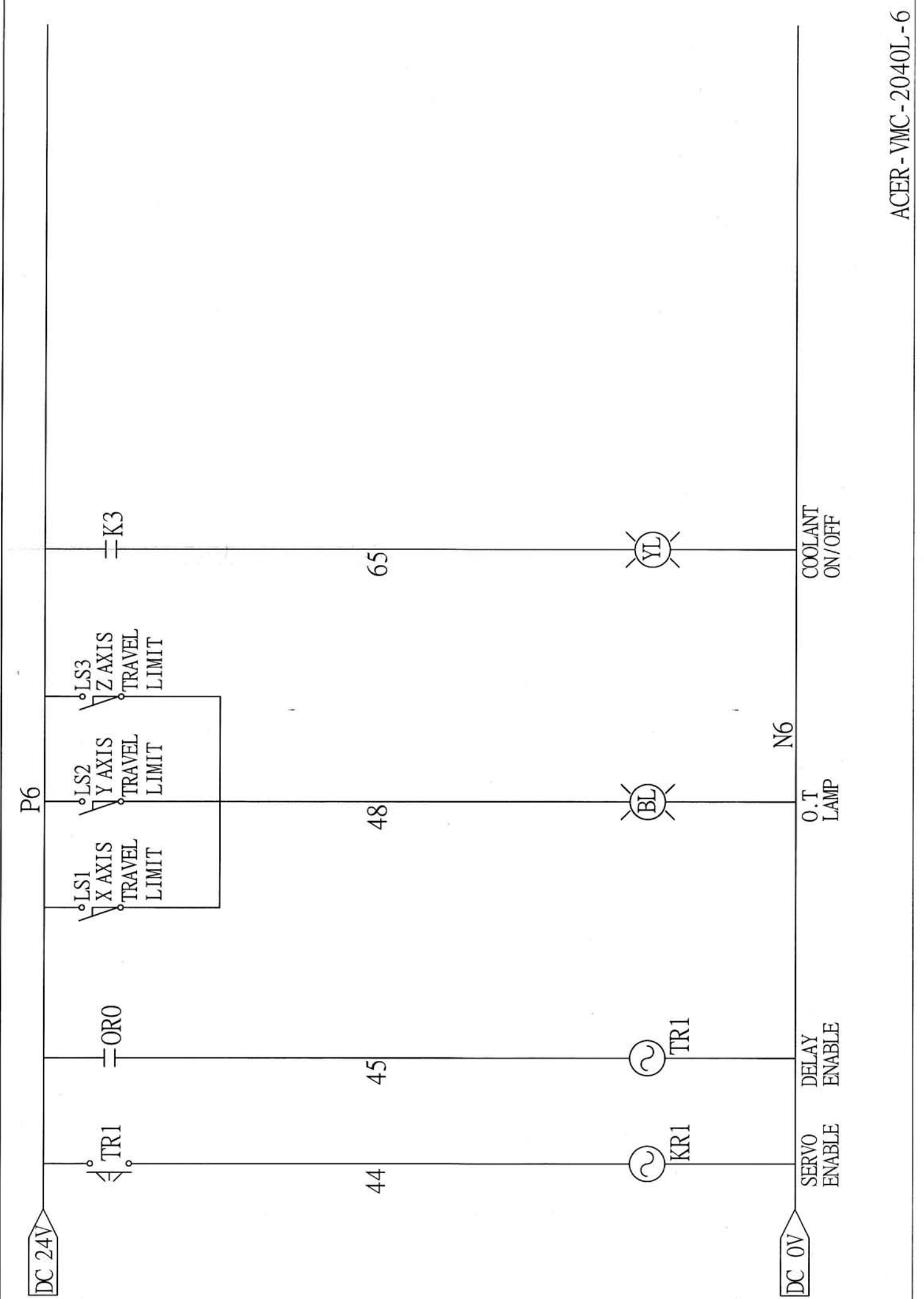




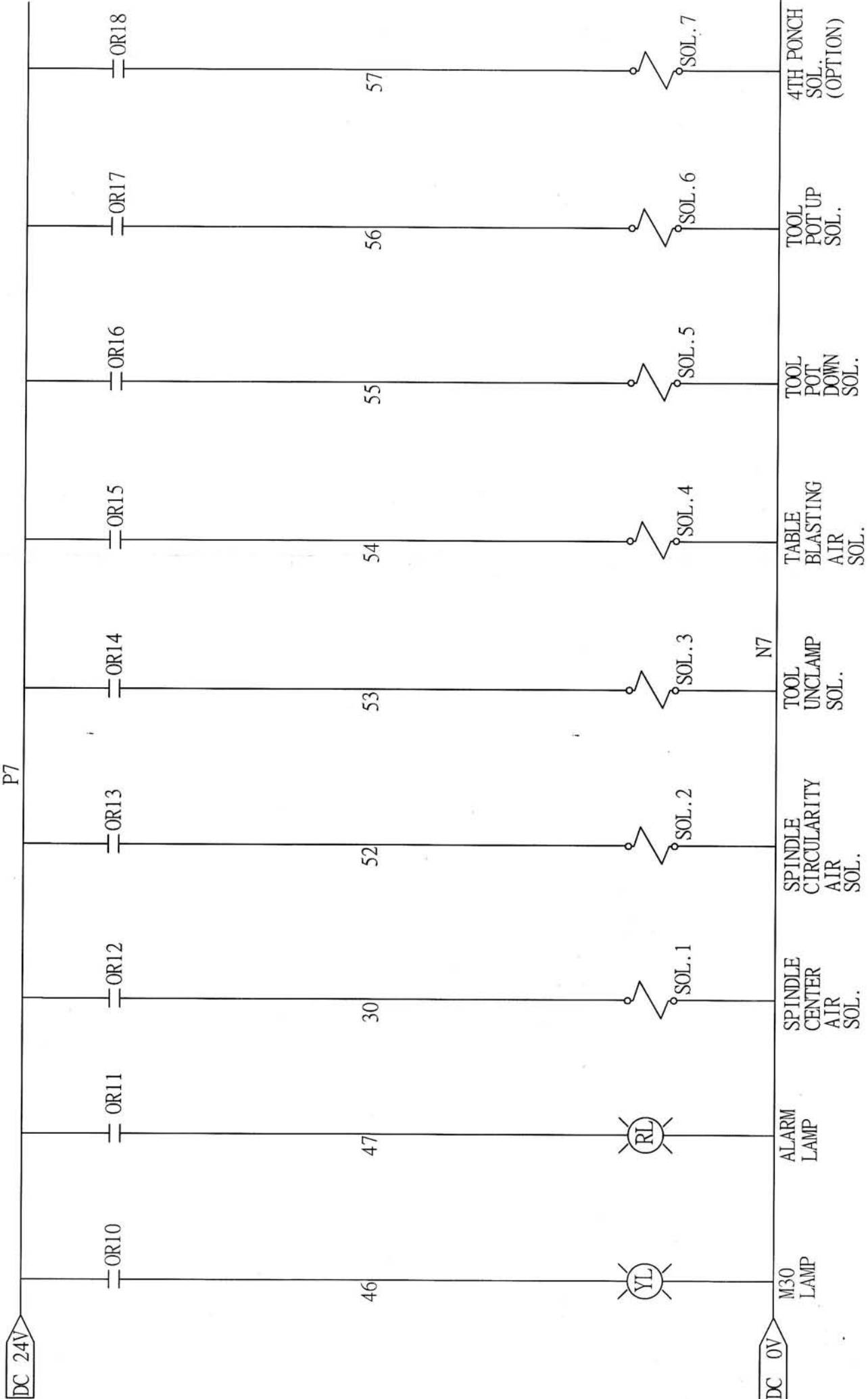




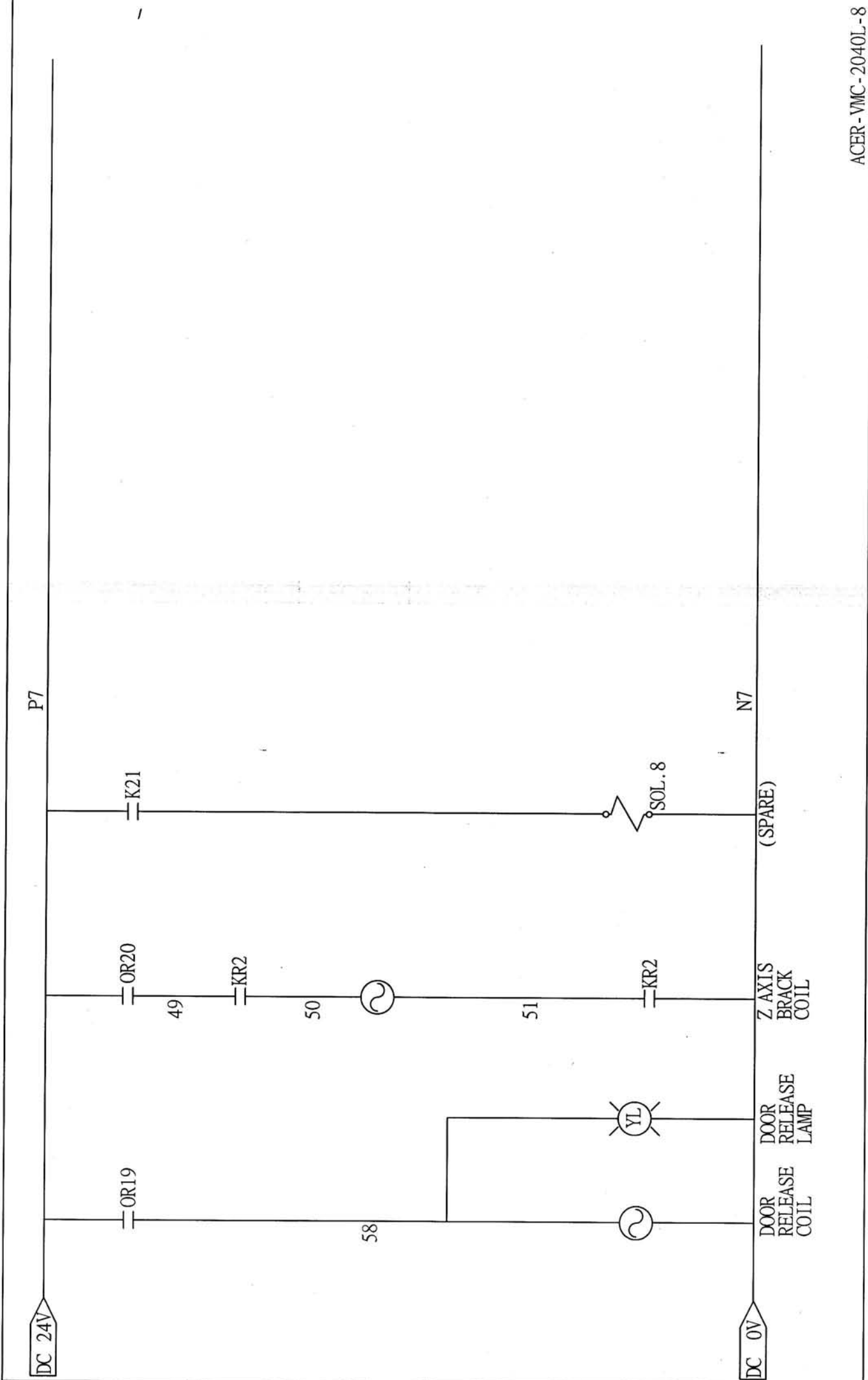




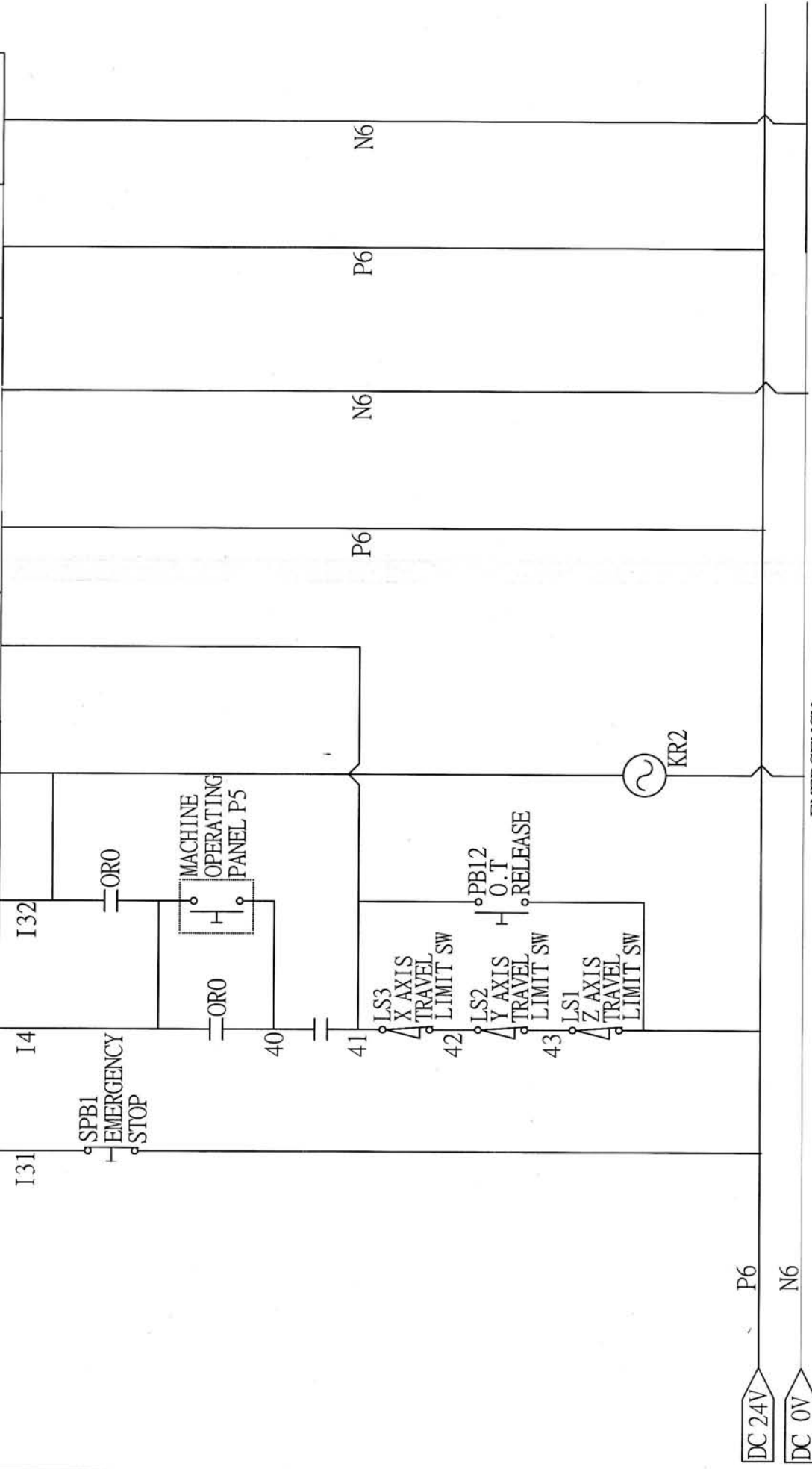
P7

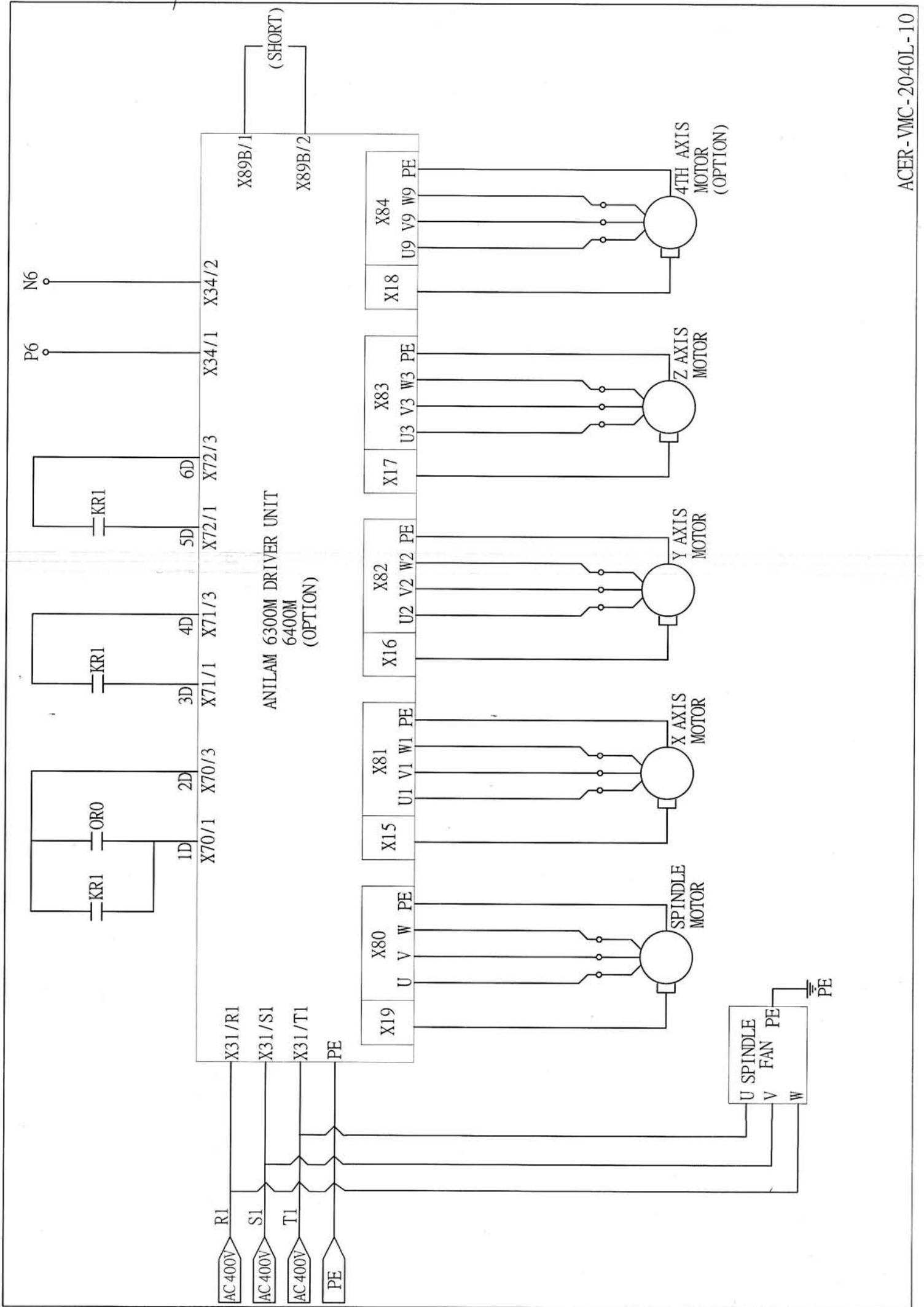


DC 24V	OR10	46	YL	M30 LAMP
OR11	47	RL	ALARM LAMP	
OR12	30	SOL.1	SPINDLE CENTER AIR SOL.	
OR13	52	SOL.2	SPINDLE CIRCULARITY AIR SOL.	
OR14	53	SOL.3	TOOL UNCLAMP SOL.	
OR15	54	SOL.4	TABLE BLASTING AIR SOL.	
OR16	55	SOL.5	TOOL POT DOWN SOL.	
OR17	56	SOL.6	TOOL POT UP SOL.	
OR18	57	SOL.7	4TH PUNCH SOL. (OPTION)	
DC 0V				



PROT INTERFACE	X42 (INPUT PORT)				X44-CONNECTOR	X34-CONNECTOR
	ADDRESS	X0.3	X0.30	X0.30		
CNC PIN NO.	X0.29	X42-5	X42-32	X42-33	X44-3	X34-2





ANILAM
4TH DRIVER
25 PIN

MAS-3102A
22-14S

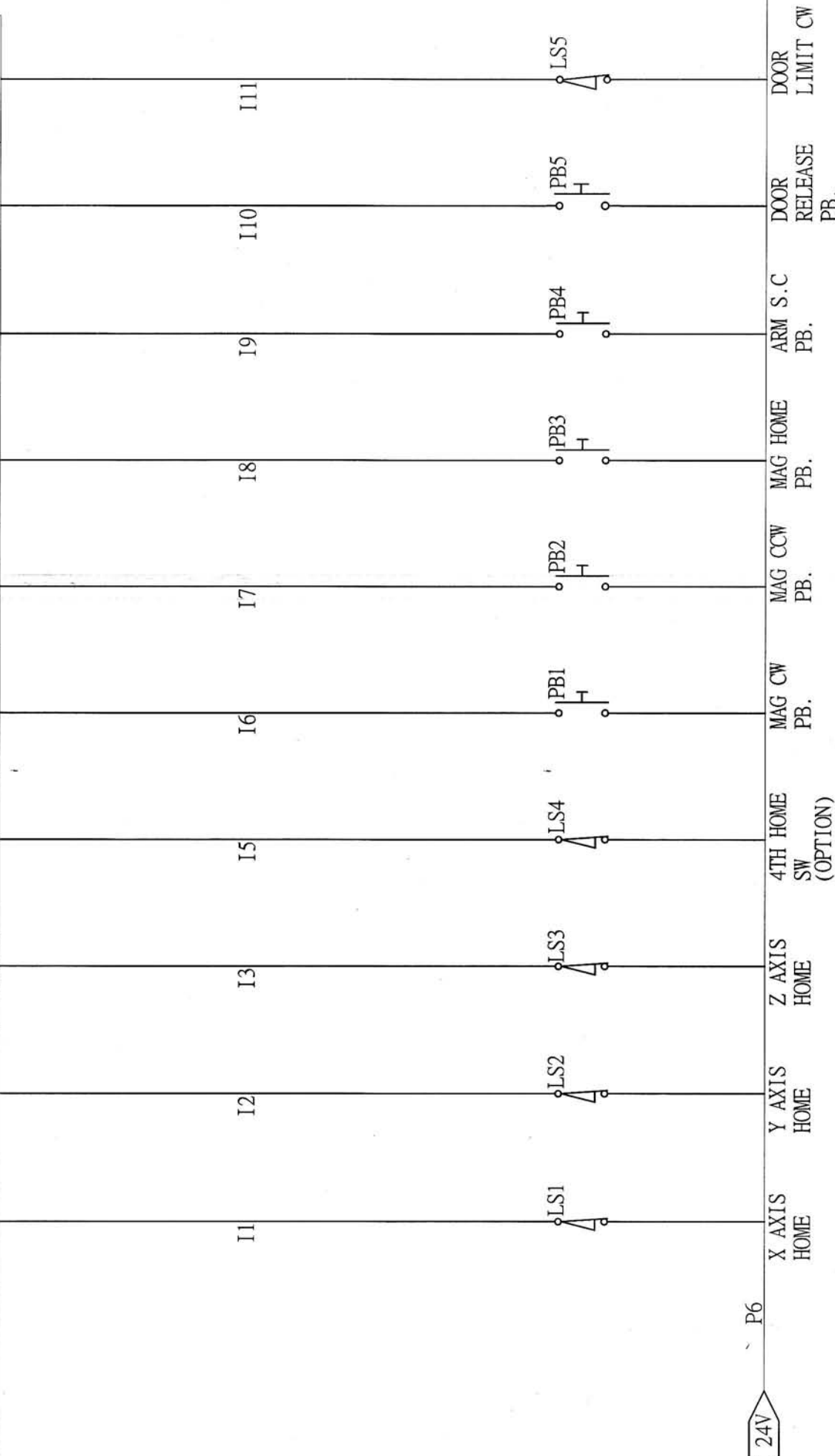
<1>	BROWN/GREEN	<A>
<2>	WHITE/GREEN	
<3>	GREEN/BLACK	<C>
<4>	YELLOW/BLACK	<D>
<6>	BLUE/BLACK	<E>
<7>	RED/BLACK	<F>
<8>	INTERNAL SHIELD	<G>
<13>	YELLOW	<H>
<14>	BLUE	<J>
<16>	WHITE	<K>
<17>	RED	<L>
<18>	BLACK	<M>
<19>	GREEN	<N>
<20>	BROWN	<U>
<21>	GRAY	<P>
<22>	PINK	<V>
<25>	PURPLE	<T>
<SHELL>	CHASIS	<R>

MAS-3102A
28-11S

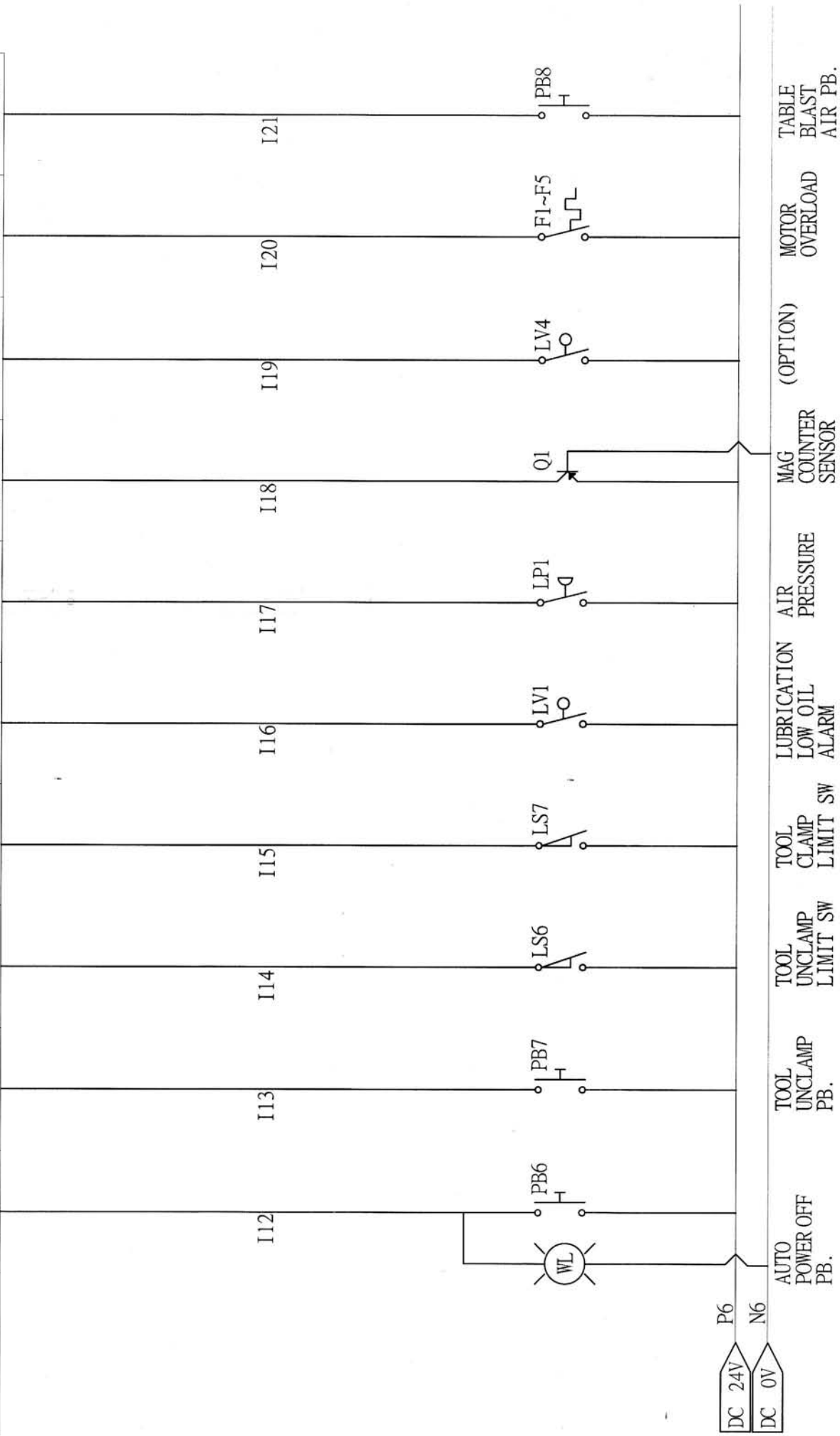
<G>	<H>	<J>	<K>	<L>	<M>	<A>		<C>	<R>	<S>	<N>	<P>
>	>	U9	V9	W9	GED	P6	I22	I23	P6	I5	N7	57
			MOTOR DRIVE				4TH CLAMP	4TH UNCLAMP	4TH HOME		4TH BARKE	SOL.

ACER-VMC-2040L-11
4TH AXIS (OPTION)

X42 (INPUT PORT)				
PORT INTERFACE	ADDRESS	CNC PIN NO.		
X0.0	X0.1	X0.2	X0.4	X0.5
X42-1	X42-2	X42-3	X42-5	X42-6
			X42-7	X42-8
			X42-9	X42-10
			X42-11	

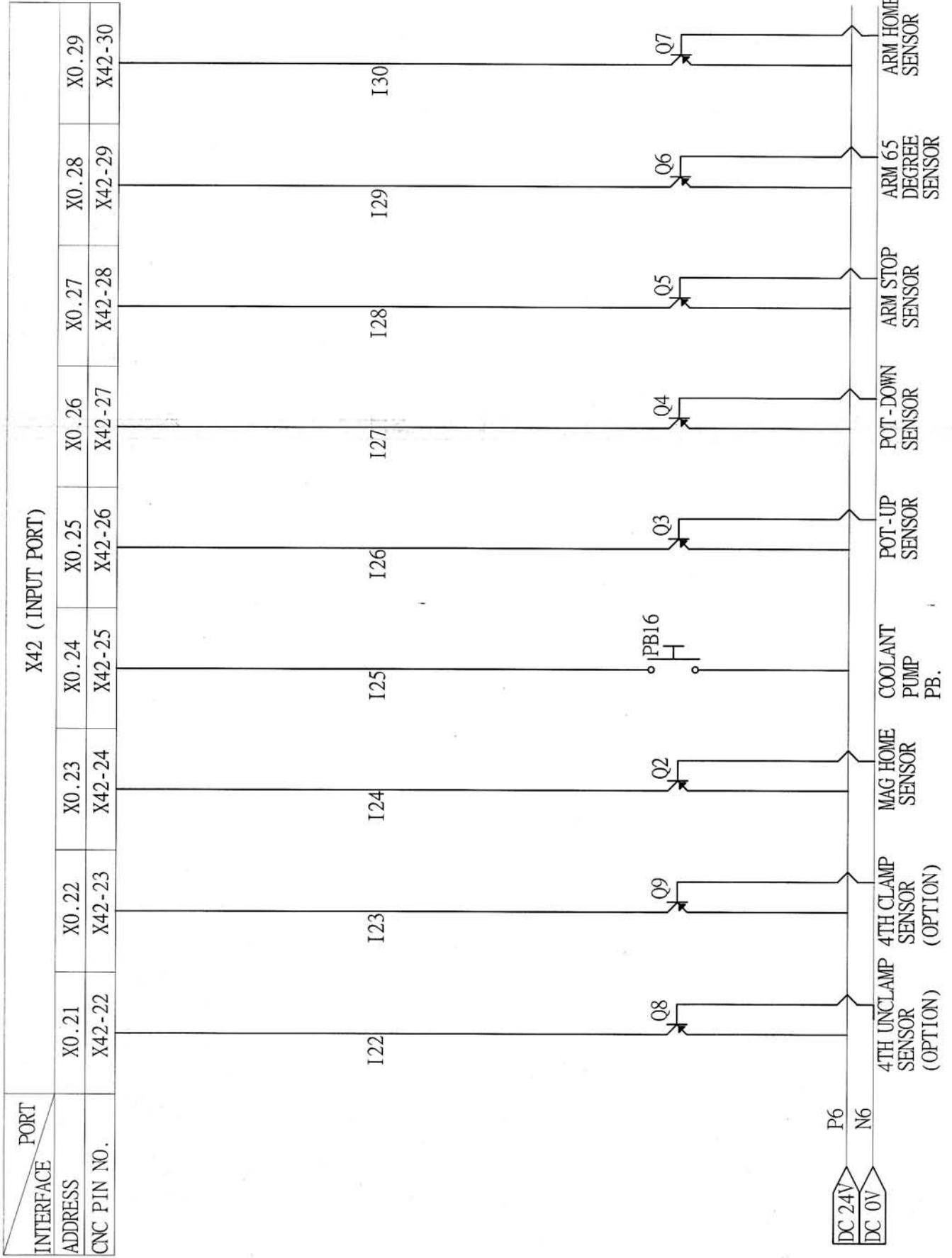


PORT		X42 (INPUT PORT)									
INTERFACE	ADDRESS	X0.11	X0.12	X0.13	X0.14	X0.15	X0.16	X0.17	X0.18	X0.19	X0.20
	CNC PIN NO.	X42-12	X42-13	X42-14	X42-15	X42-16	X42-17	X42-18	X42-19	X42-20	X42-21

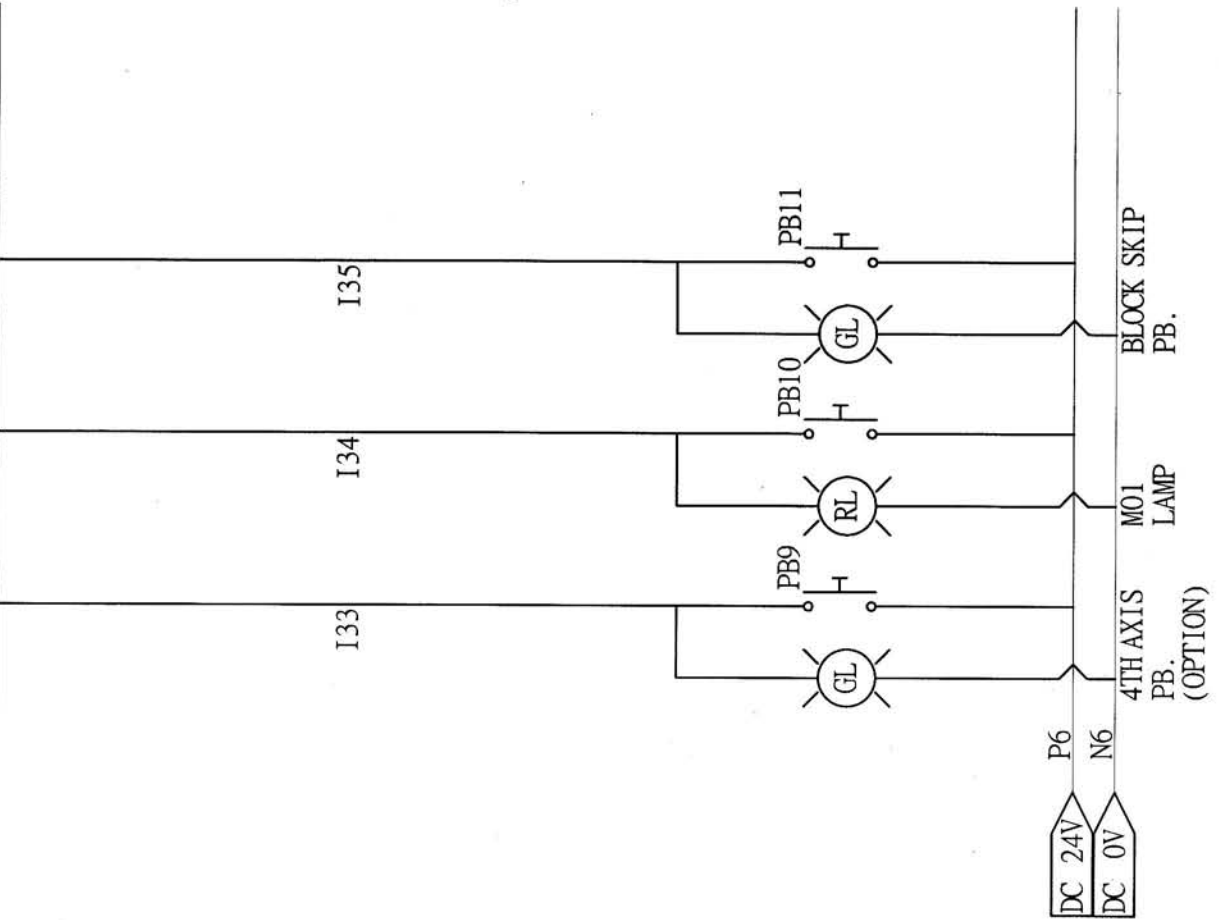


- AUTO POWER OFF PB.
- TOOL UNCLAMP PB.
- TOOL UNCLAMP LIMIT SW
- TOOL CLAMP LIMIT SW
- LUBRICATION LOW OIL ALARM
- AIR PRESSURE
- MAG COUNTER SENSOR
- (OPTION)
- MOTOR OVERLOAD
- TABLE BLAST AIR PB.

DC 24V P6
DC 0V N6

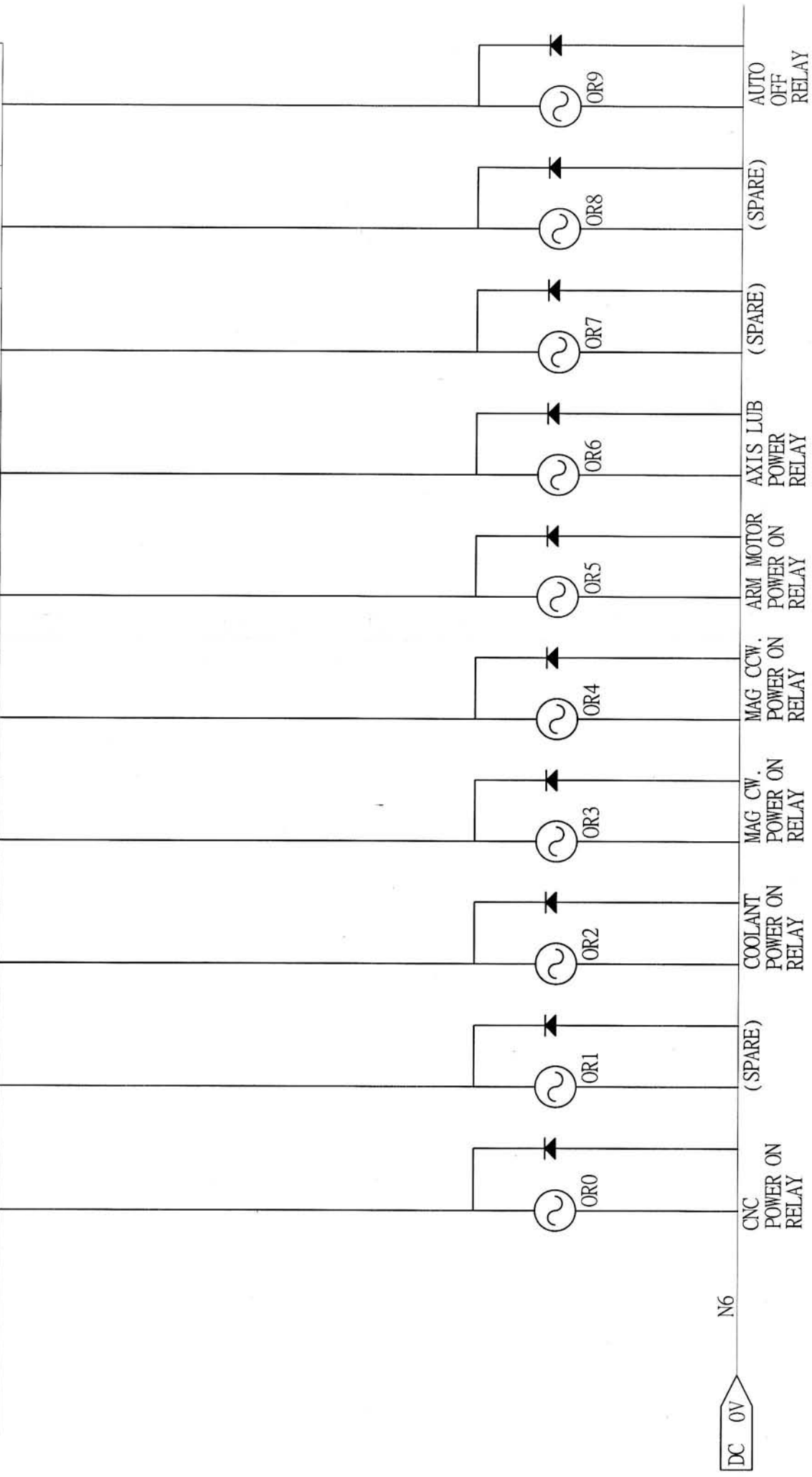


PORT		PLN (INPUT PORT)	
INTERFACE			
ADDRESS	X0.122	X0.123	X0.124
CNC PIN NO.	P4-3	P4-4	P4-5

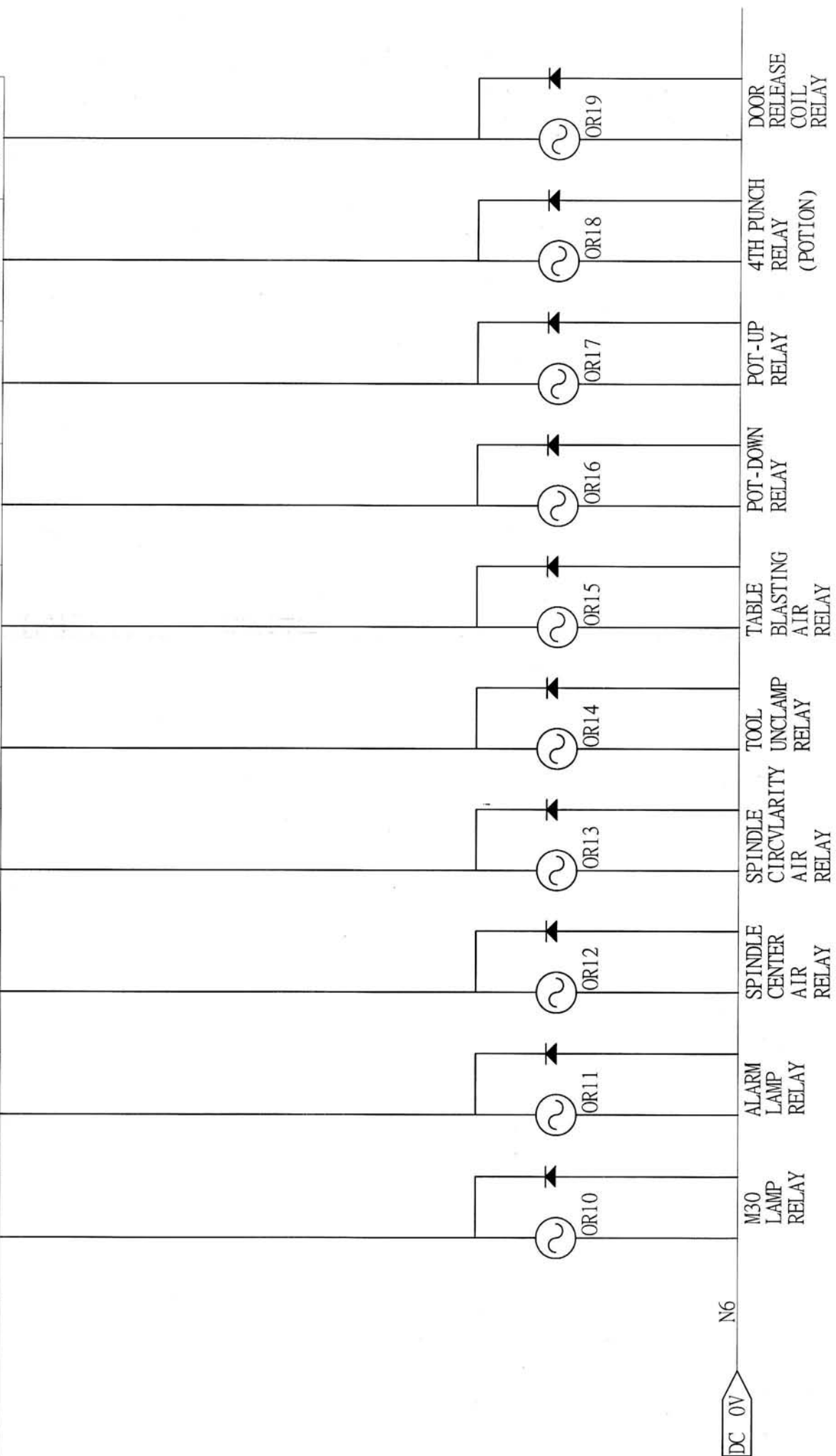


X41 (OUTPUT PORT)

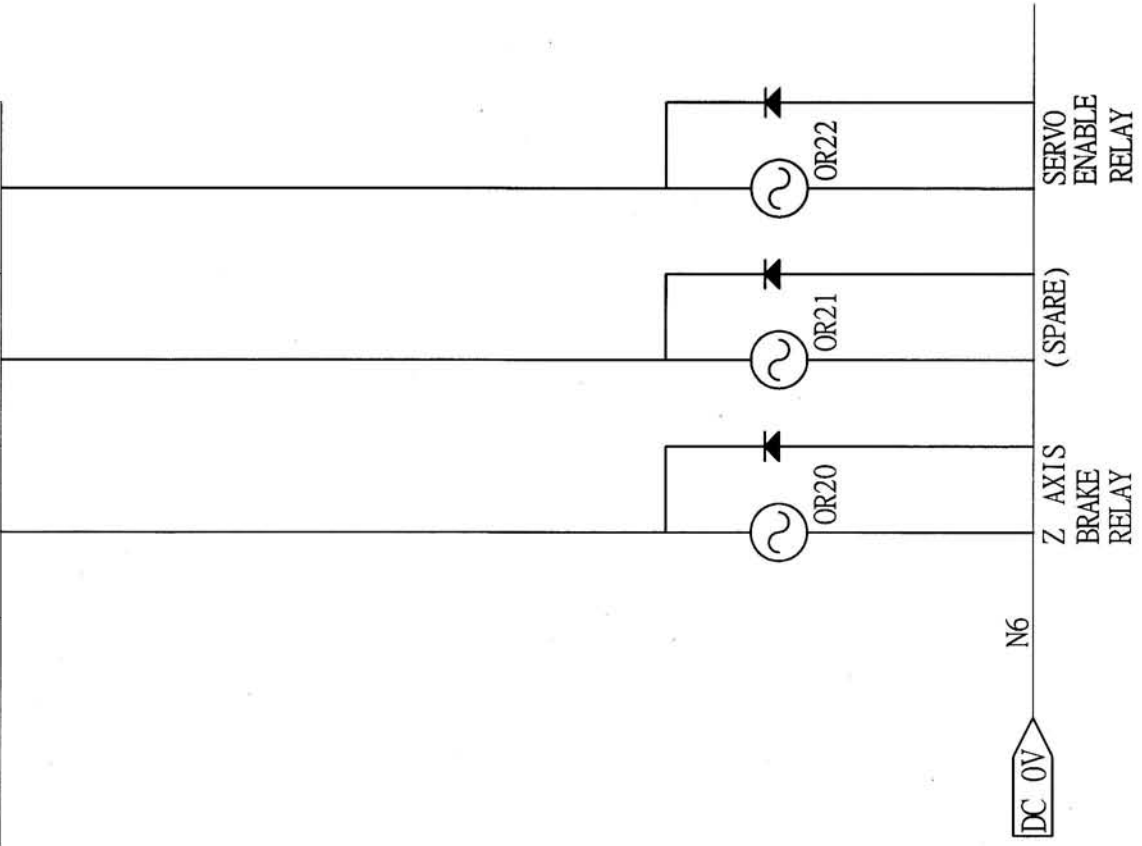
INTERFACE	PORT									
ADDRESS	Y0.0	Y0.1	Y0.2	Y0.3	Y0.4	Y0.5	Y0.6	Y0.7	Y0.8	Y0.9
CNC PIN NO.	X41-9	X41-10	X41-11	X41-12	X41-13	X41-14	X41-15	X41-16	X41-17	X41-18



PORT INTERFACE		X41 (OUTPUT PROT)									
ADDRESS		Y0.10	Y0.11	Y0.12	Y0.13	Y0.14	Y0.15	Y0.16	Y0.17	Y0.18	Y0.19
CNC PIN NO.		X41-19	X41-20	X41-21	X41-22	X41-23	X41-24	X41-25	X41-26	X41-27	X41-28



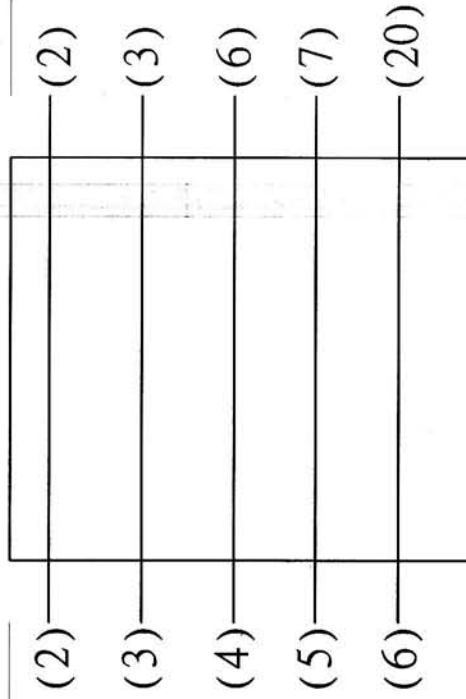
PROT INTERFACE	X41 (OUTPUT PROT)		
ADDRESS	Y0.20	Y0.21	Y0.22
CNC PIN NO.	X40-29	X41-30	X41-31



ANILAM
6300M\6400M

X27 (CNC SIDE)
9-PIN

RS-232
25-PIN



ACER-VMC-2040L-RS-232

