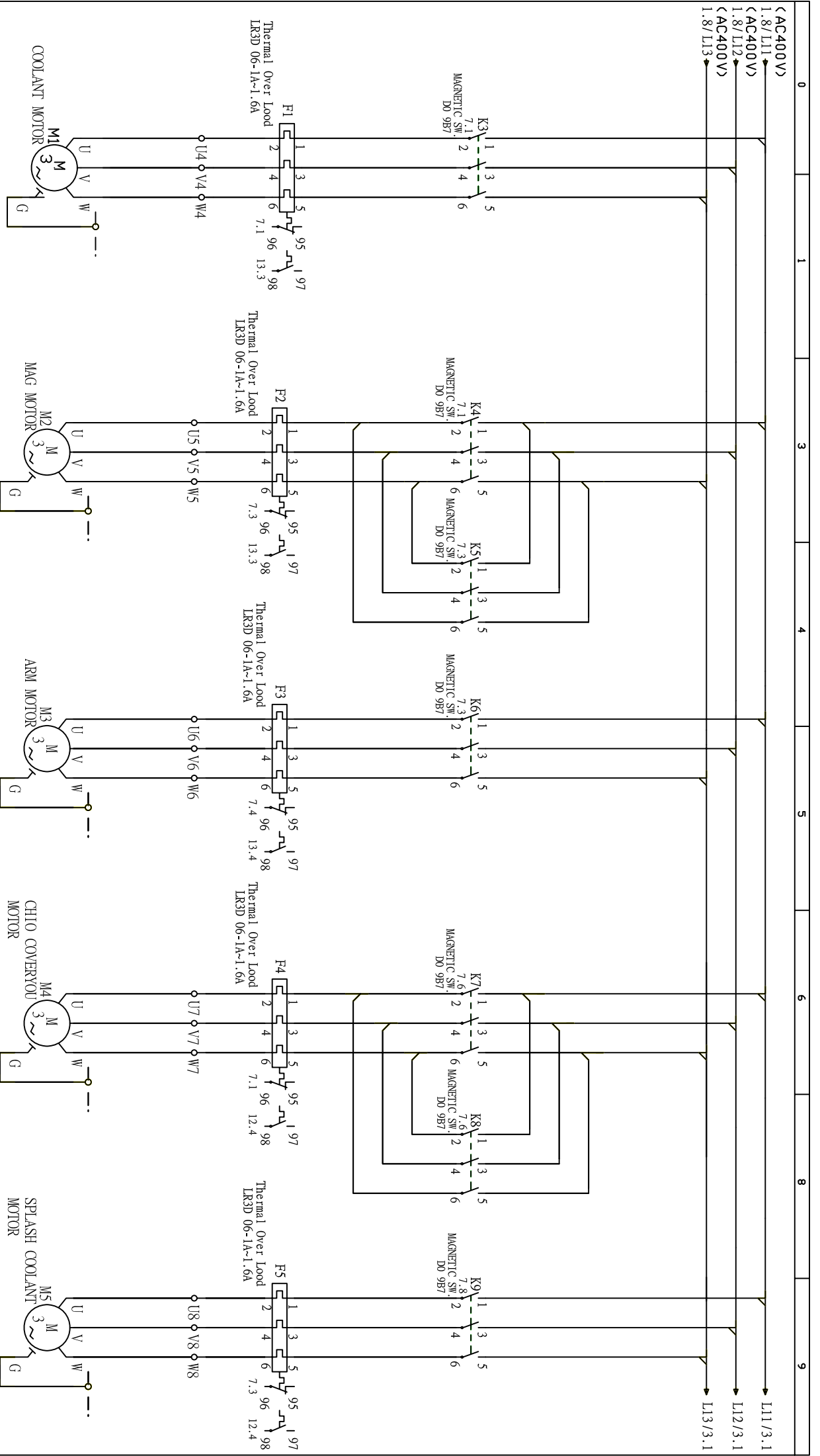


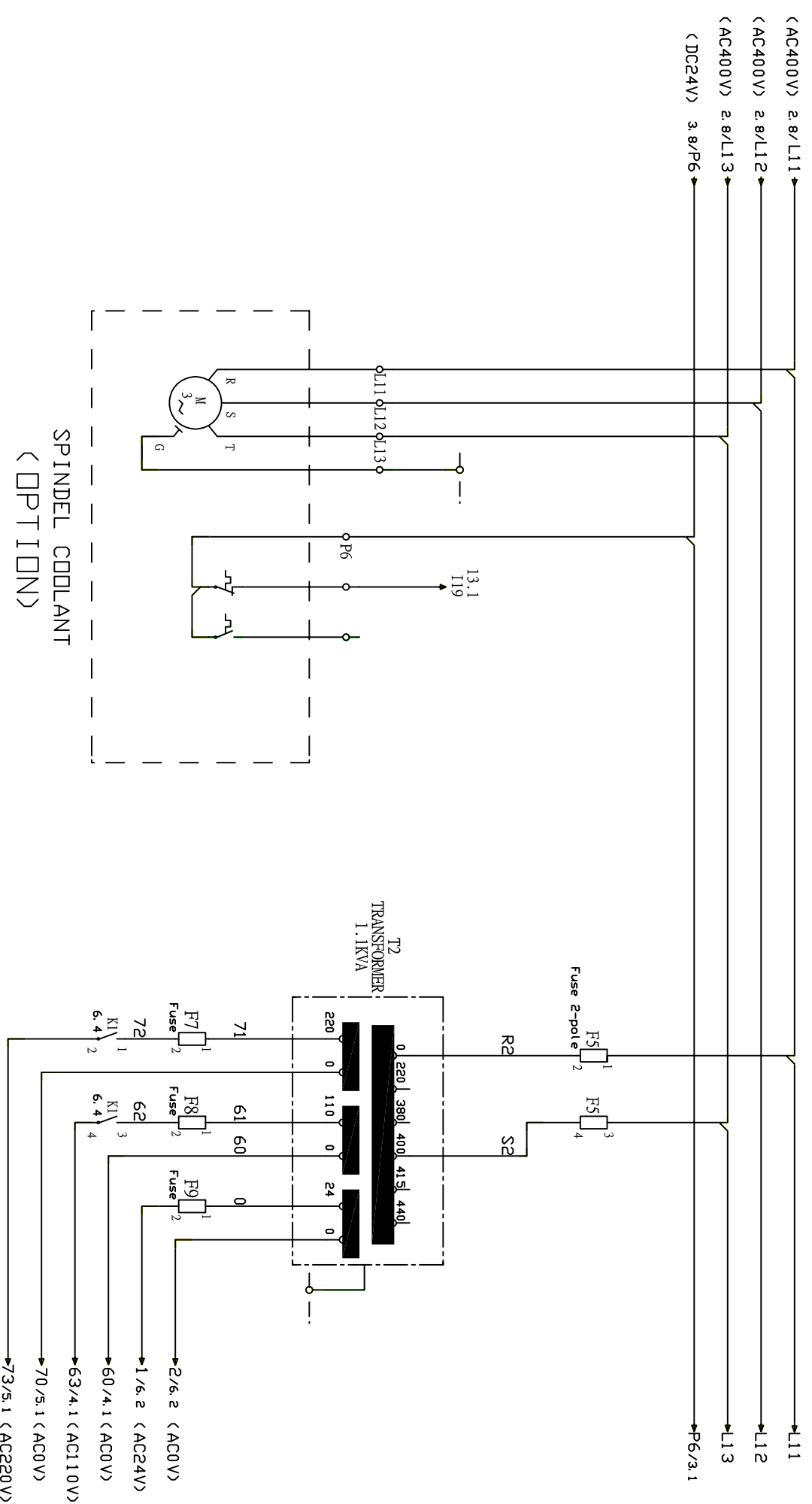
ACER GROUP	TITLE : POWER-1	MACHINE MODEL	CONTROL :	Date:	PAGE
		VMC-2240XL	ANILAM 6000i	06. JAN. 2009	1



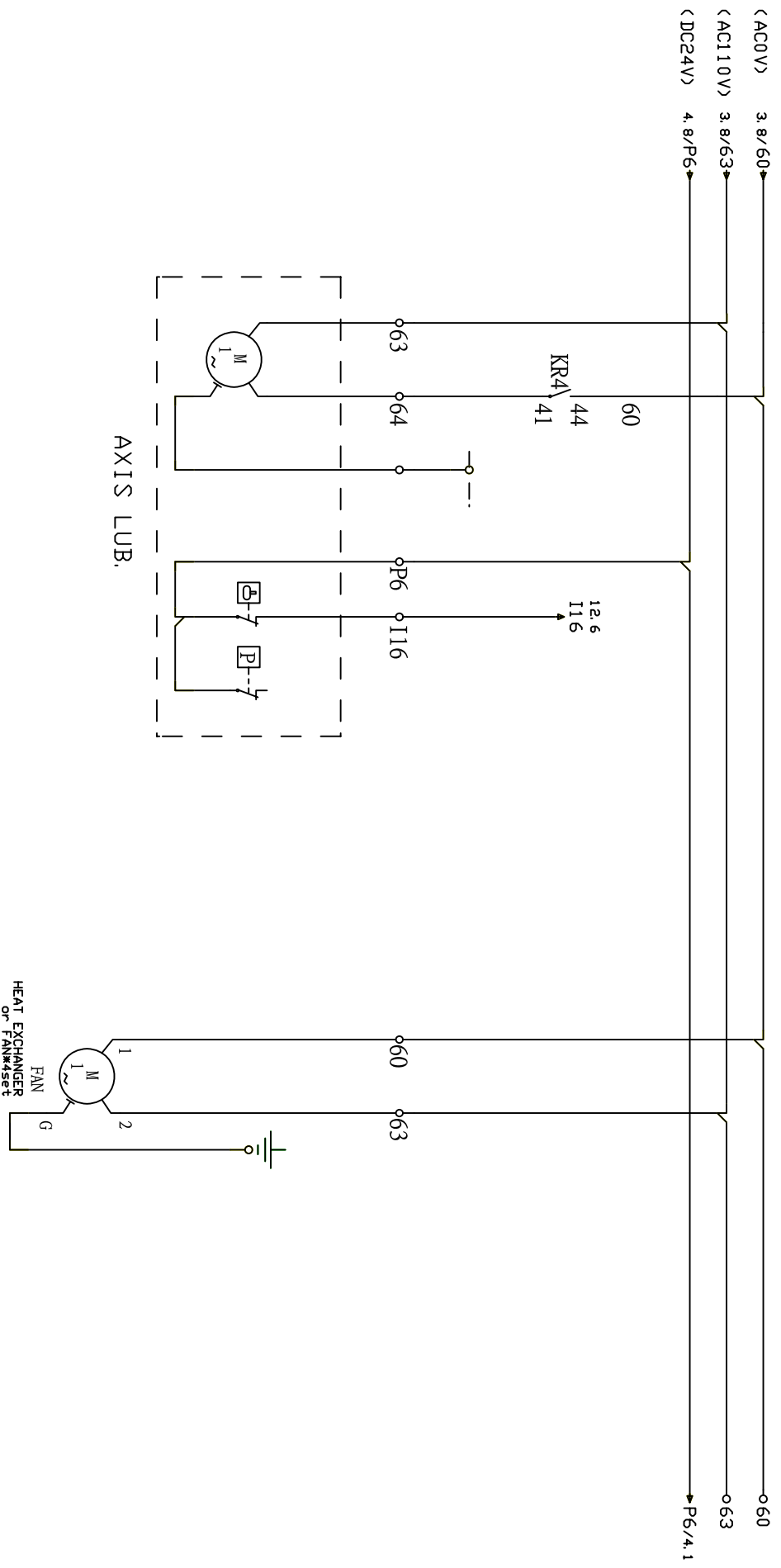
ACER GROUP	TITLE : POWER-2	MACHINE MODEL	CONTROL :	Date:	PAGE
		VMC-2240XL	ANILAM 6000i	06. JAN. 2009	2

1

3



ACER GROUP		TITLE : POWER-3		MACHINE MODEL		CONTROL :		Date:		PAGE	
				VMC-2240XL		ANILAM 6000i		06. JAN. 2009		3	



3

ACER GROUP TITLE : POWER-110V-1

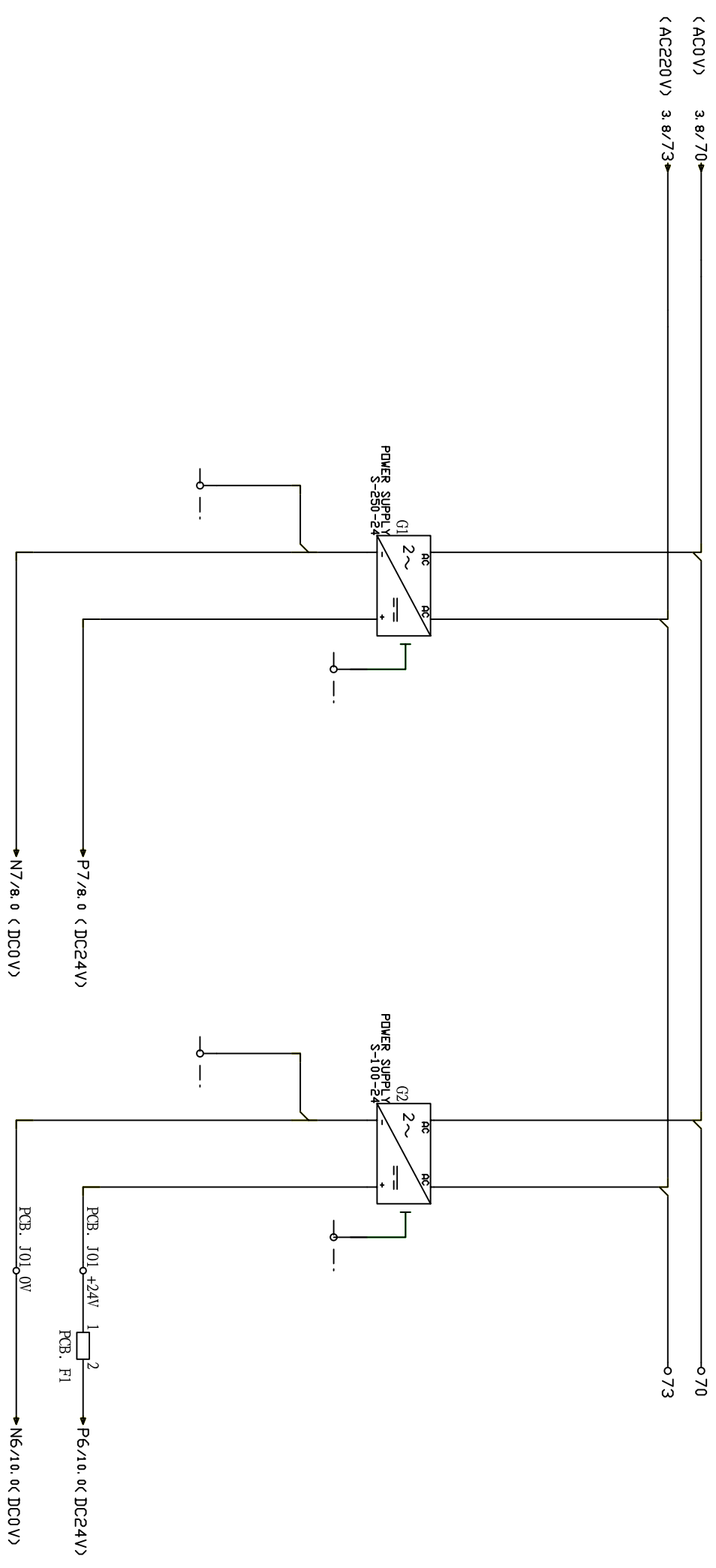
MACHINE MODEL VMC-2240XL

CONTROL : ANILAM 6000i

Date: 06. JAN. 2009

PAGE 4

5



4

ACER GROUP TITLE : POWER 220V-1

MACHINE MODEL VMC-2240XL

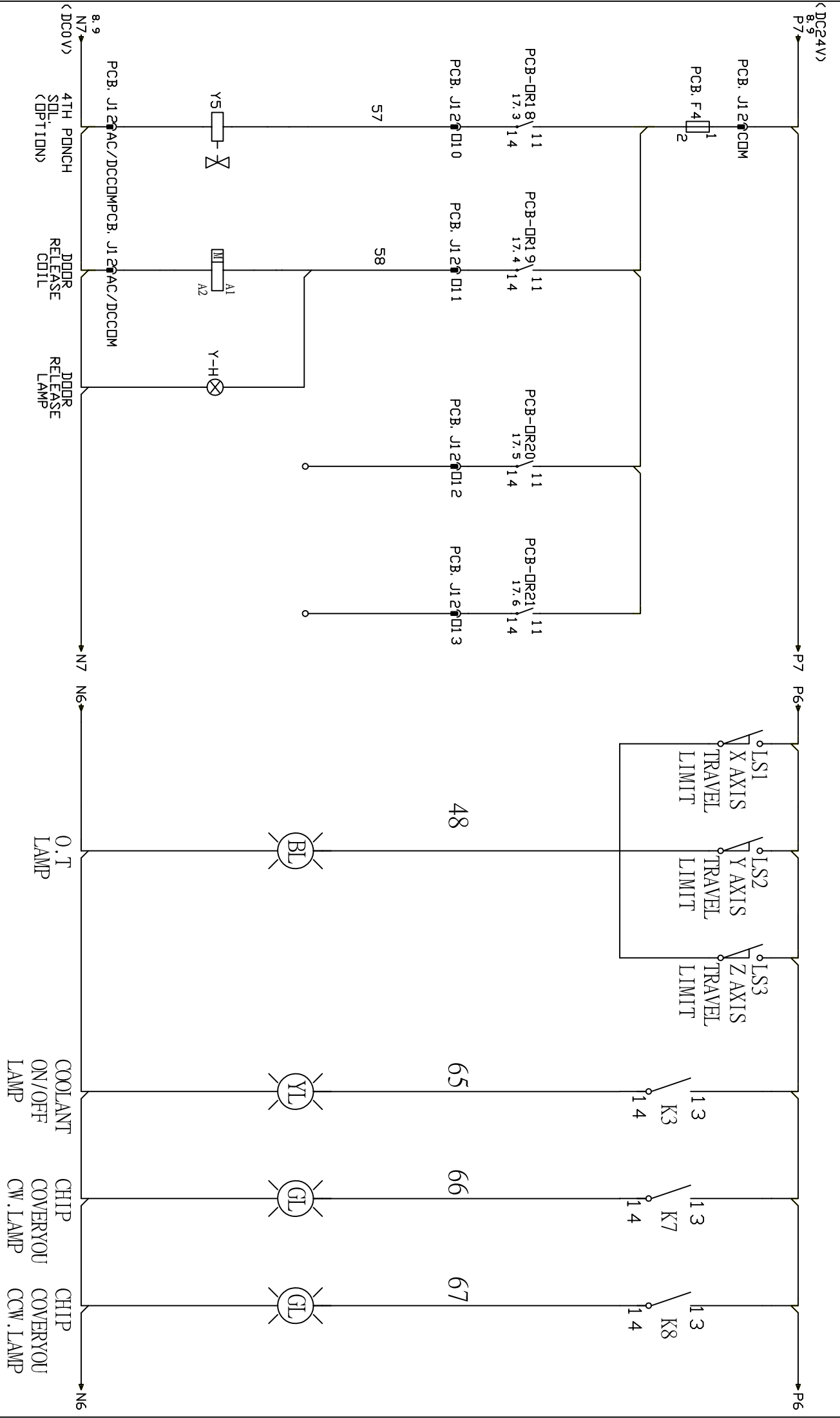
CONTROL : ANILAM 6000i

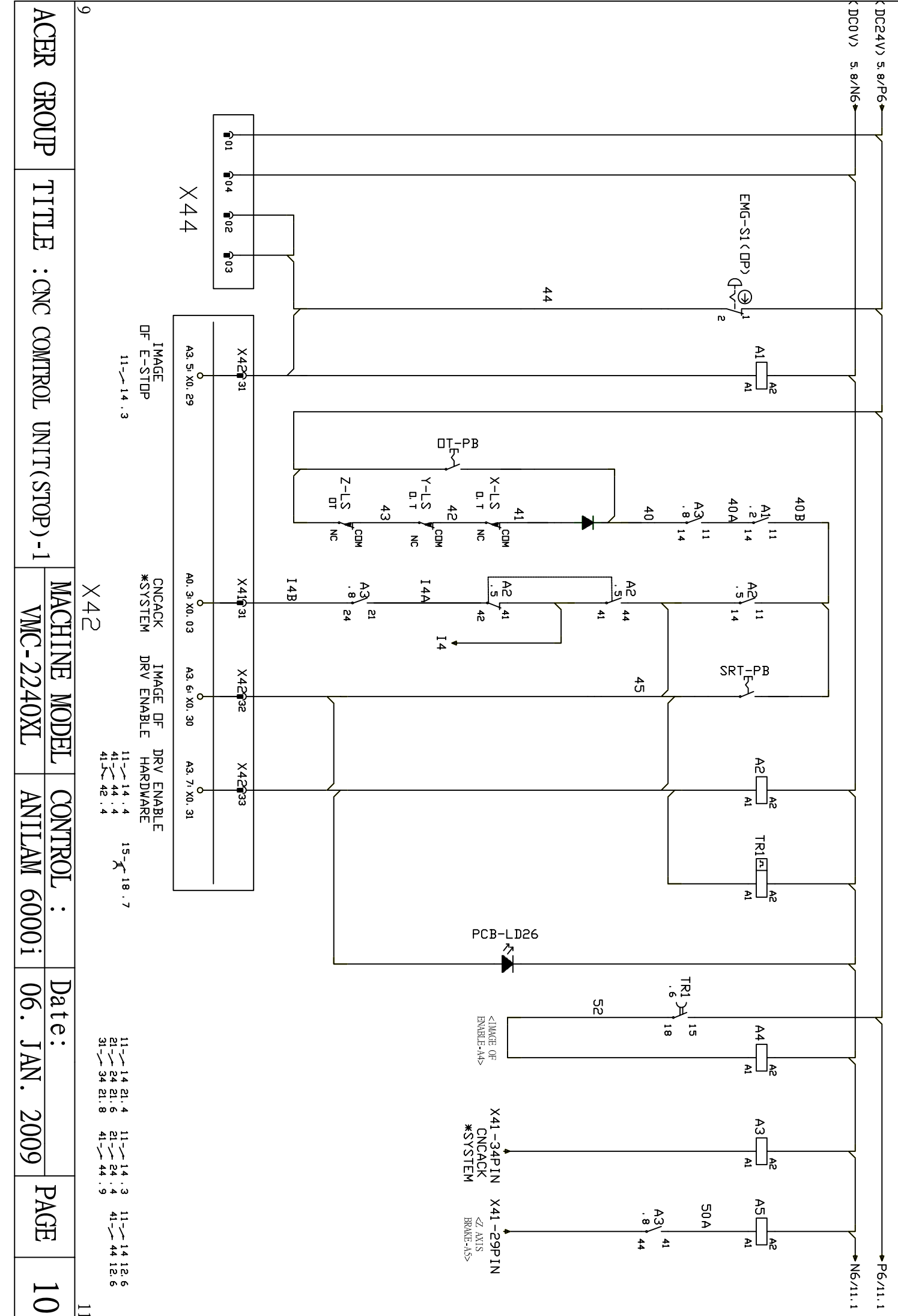
Date: 06. JAN. 2009

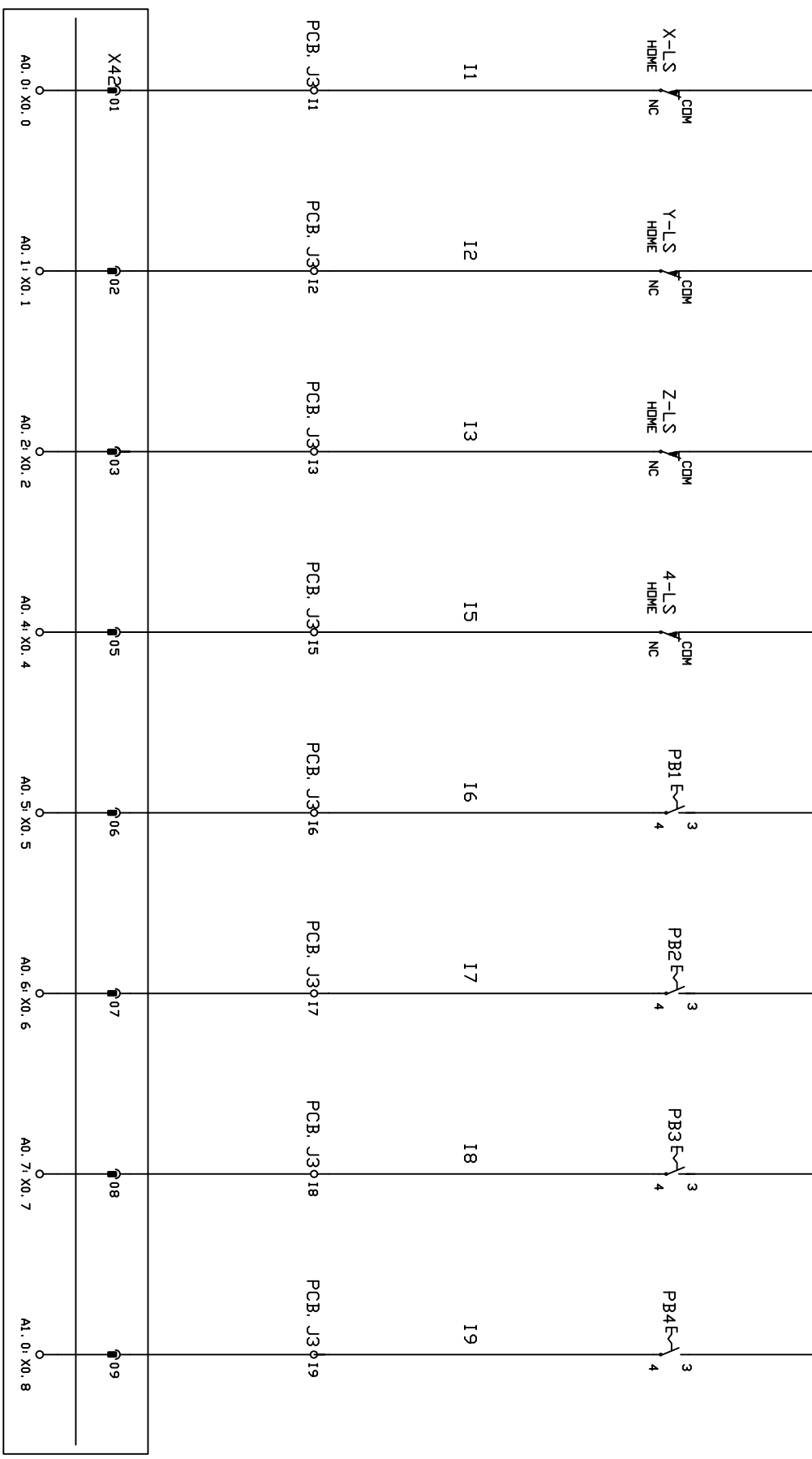
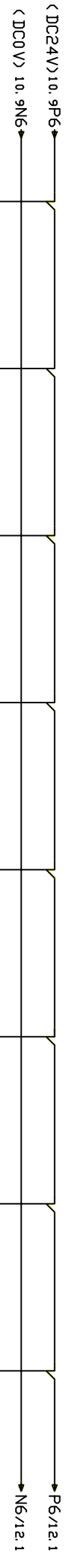
PAGE

5

6





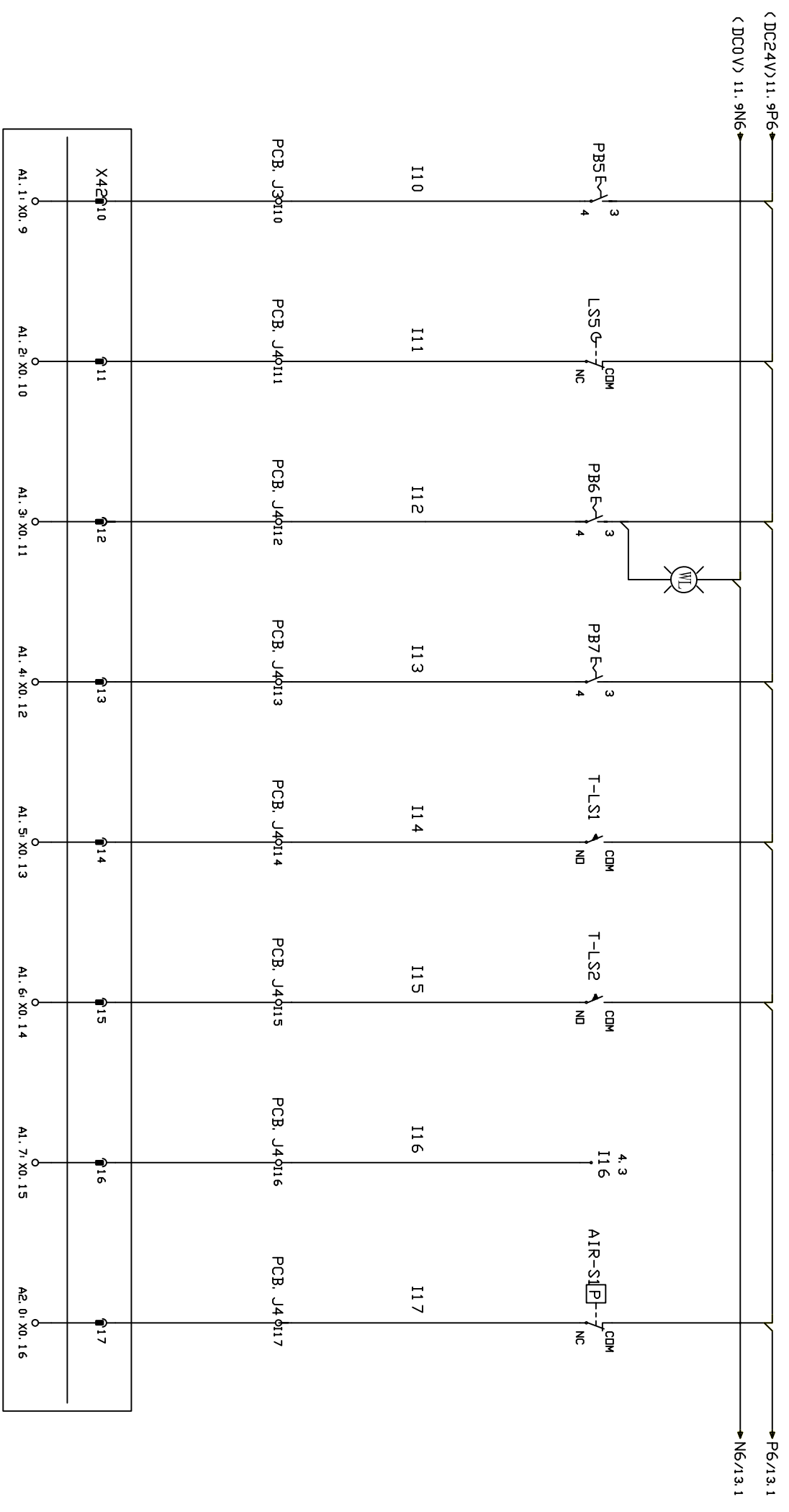


XHOME YHOME ZHOME AX4 HOME (SPARE) MAG CW PB. MAG CCW PB. MAG HOME PB (SPARE) ARM SW PB.

X42

10

12

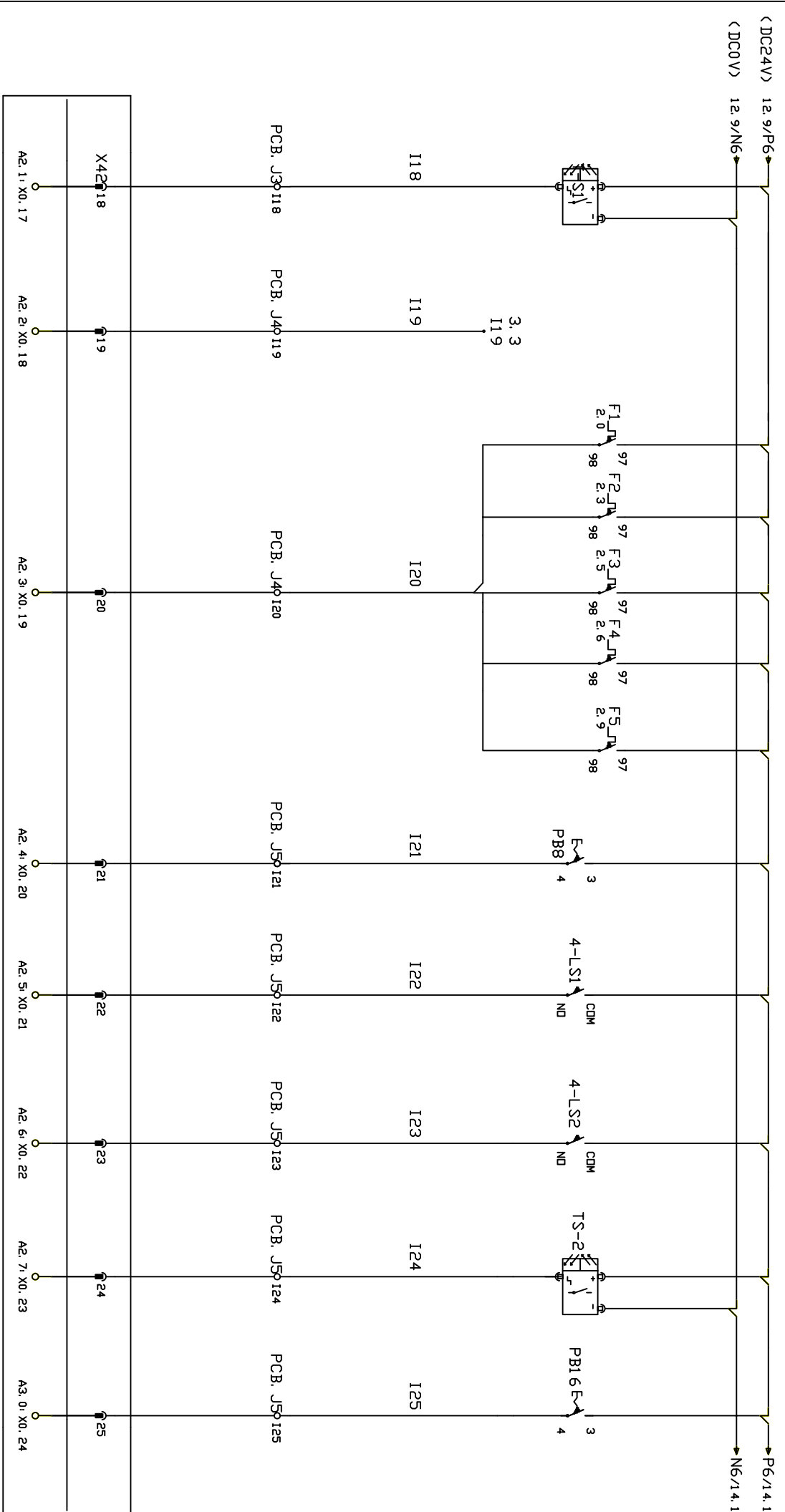


DDDR RESEASE PB. DDDR LIMIT LS. AUTO POWER OFF PB. < SPARE > TODL UNCLAMP PB. TODL UNCLAMP SWITCH TODL CLAMP SWITCH LUBRICATION LOW OIL ALARM AIR PRESSURE

11

X42
10.2

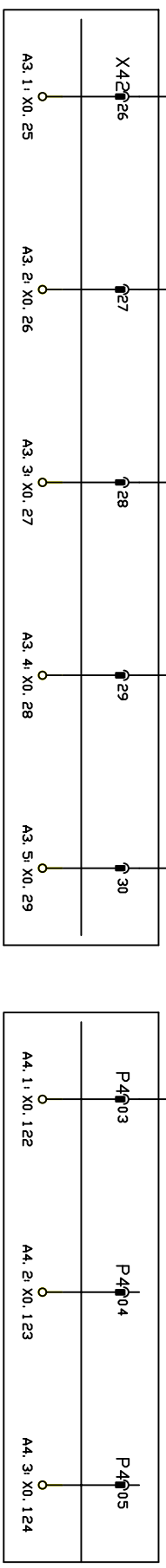
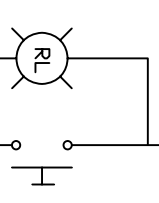
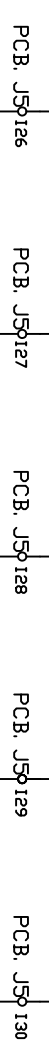
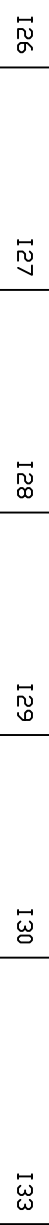
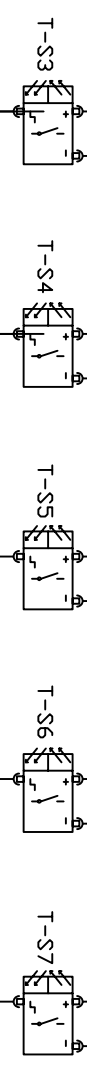
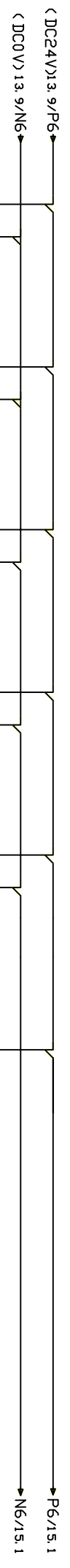
13



12

X42
10.2

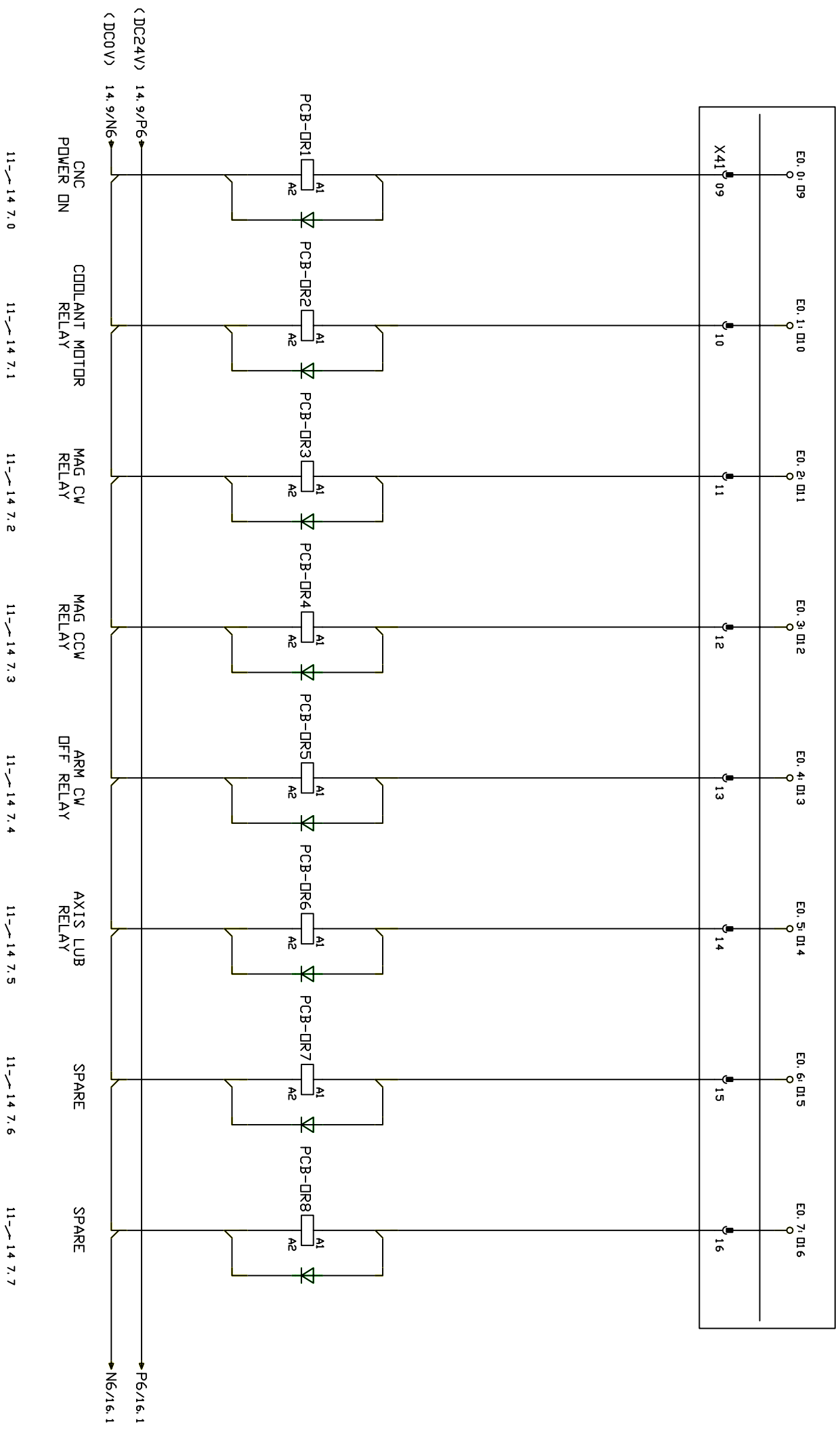
14



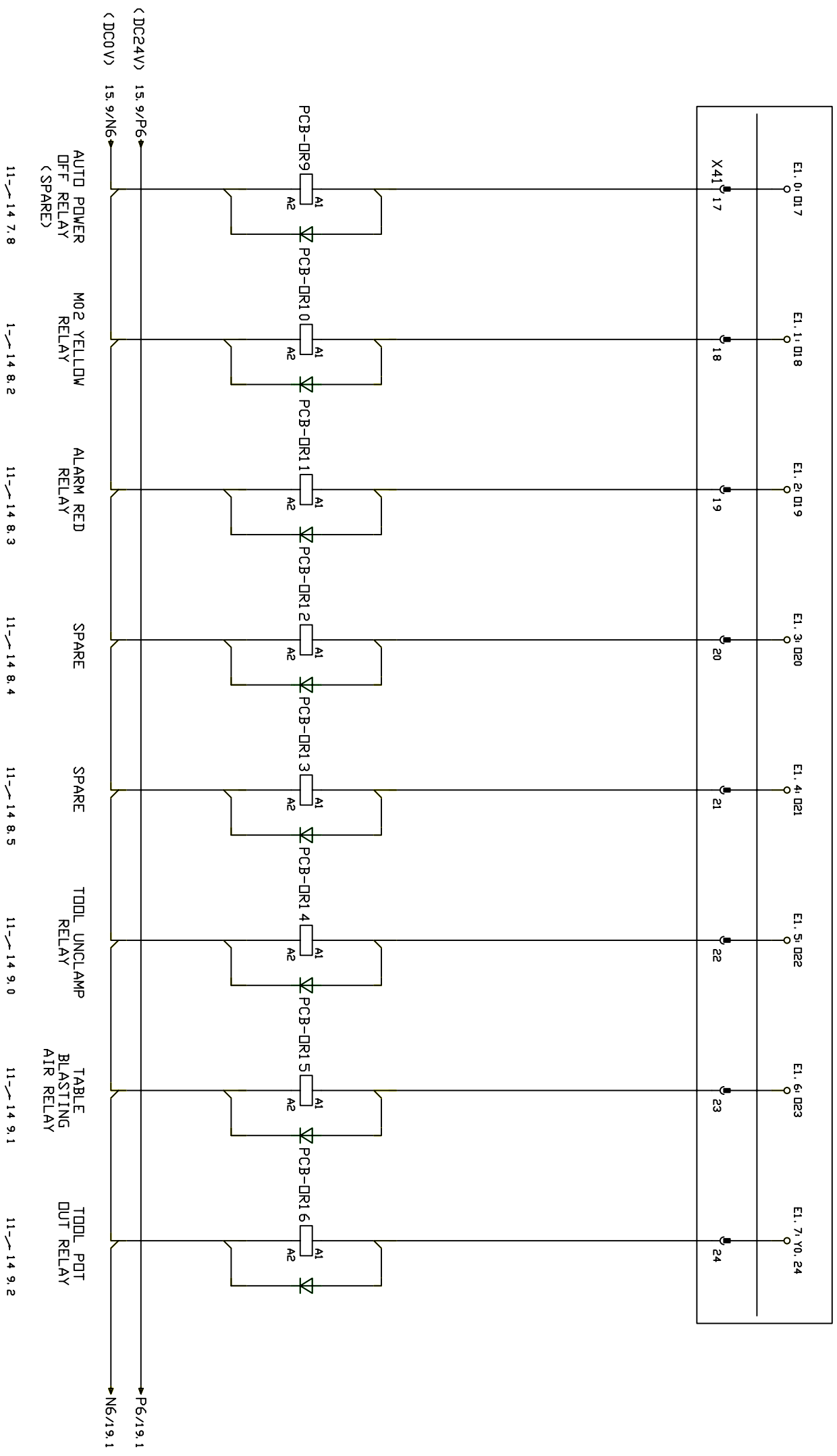
TOOL POT IN
 TOOL POT OUT
 ARM STOP SENSOR
 ARM 65° SENSOR
 ARM HOME SENSOR
 4TH AXIS PB (SPARE)

X42
10.2

X41
16.0

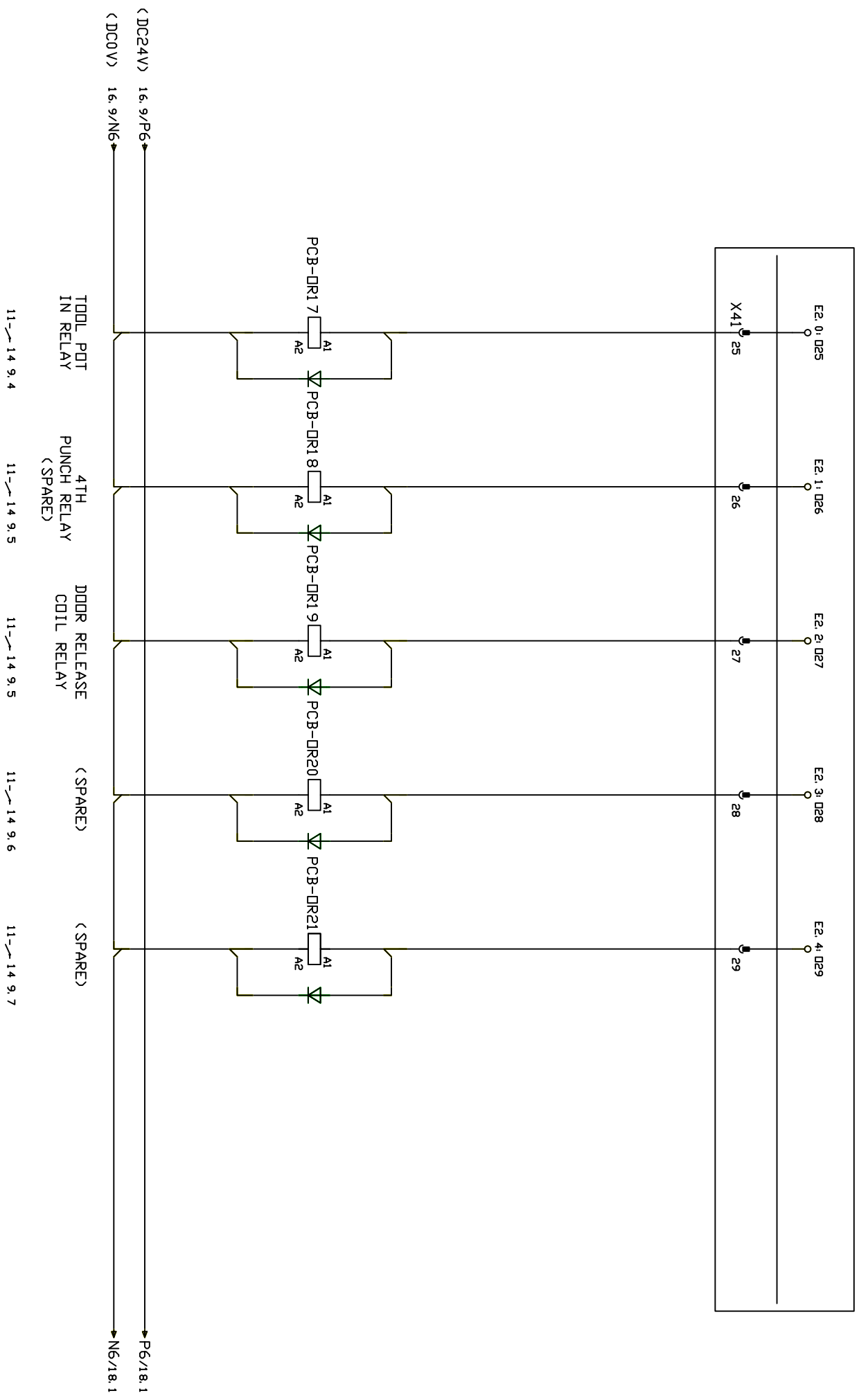


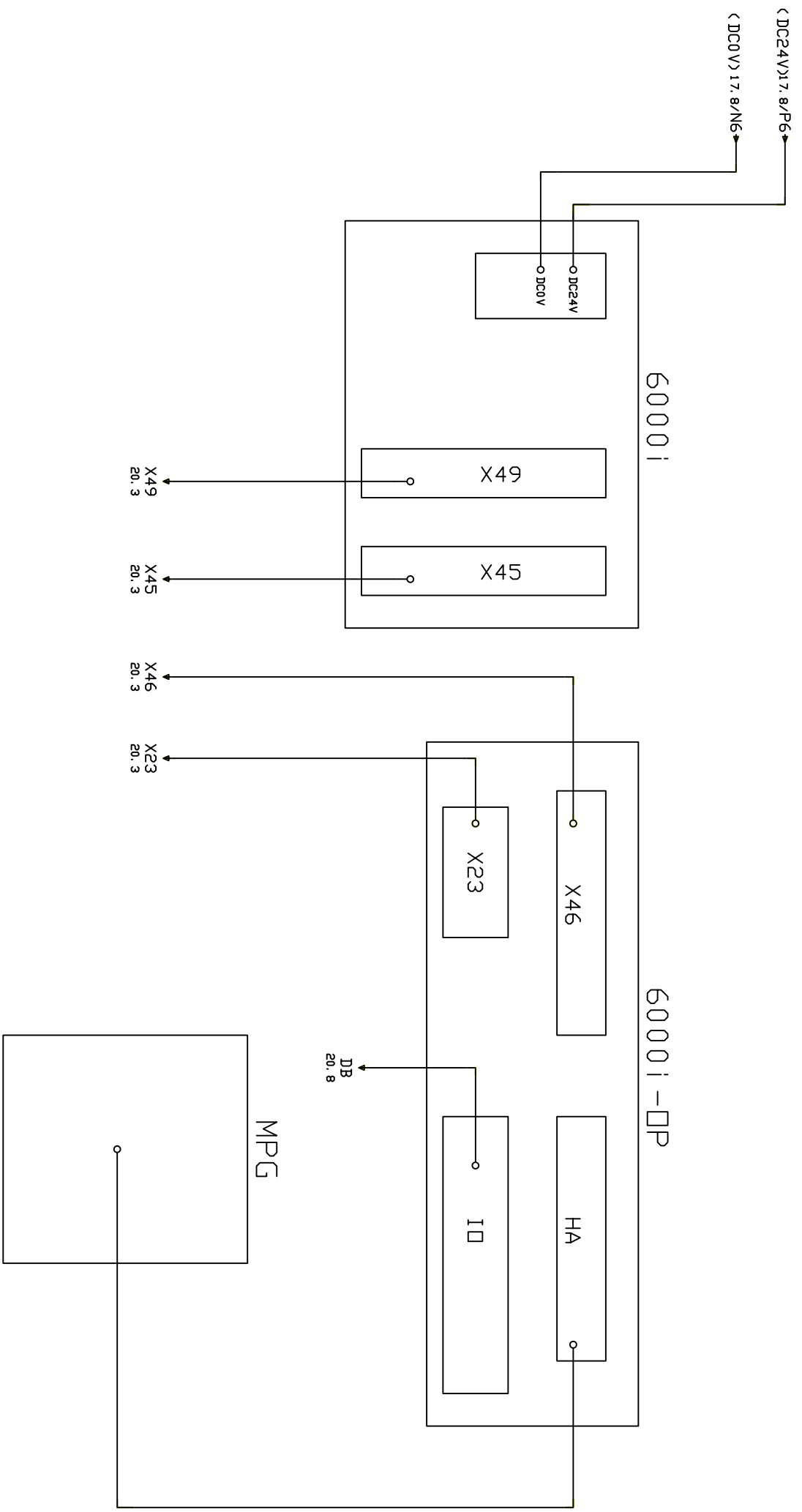
X41
15.0



X41

16.0





17

ACER GROUP

TITLE : 6000i-OP

MACHINE MODEL
VMC-2240XL

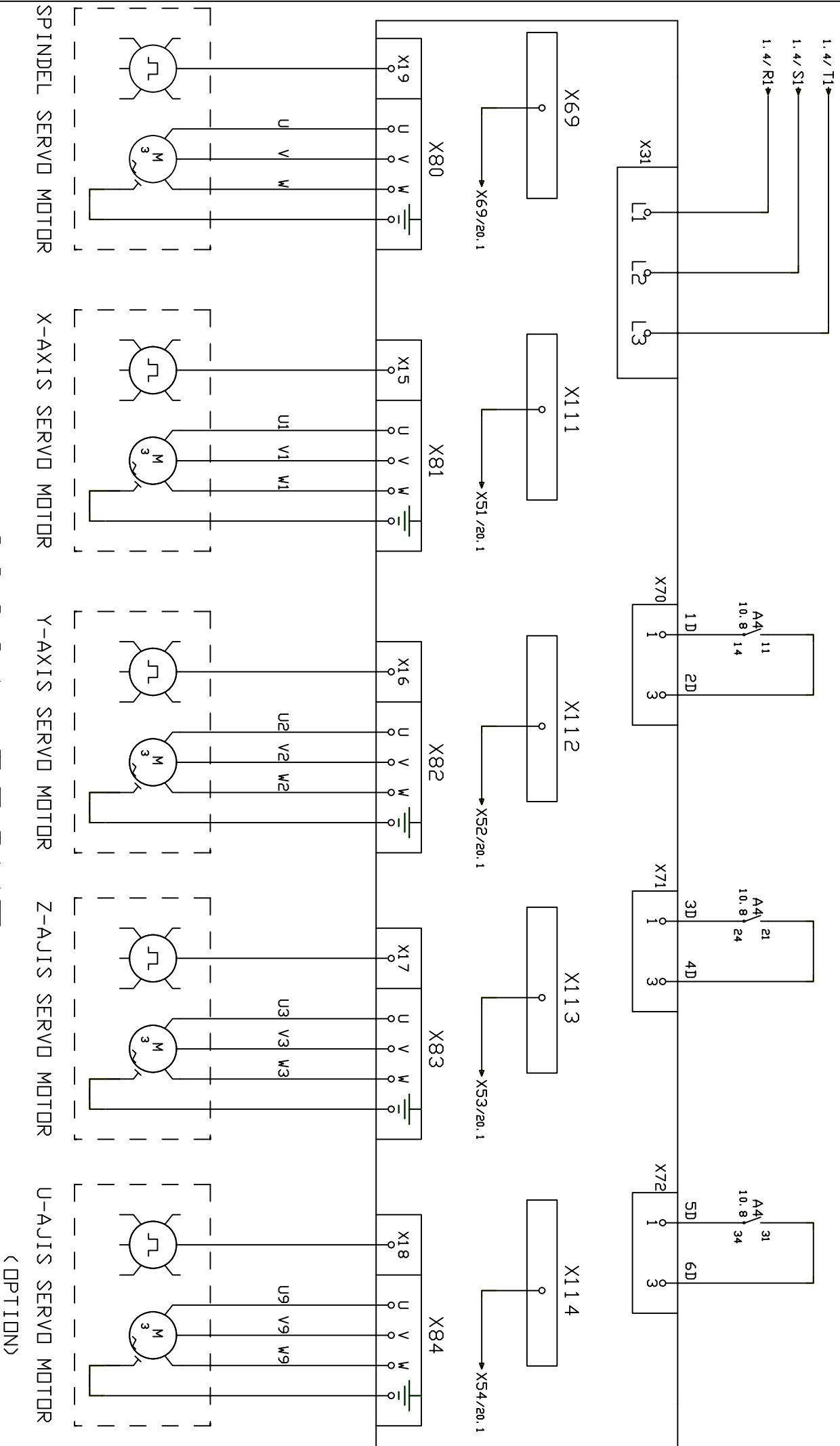
CONTROL :
ANILAM 6000i

Date:
06. JAN. 2009

PAGE

18

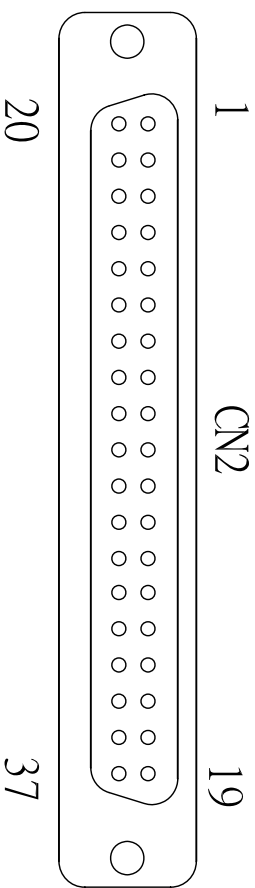
19



6000i DRIVE

<OPTION>

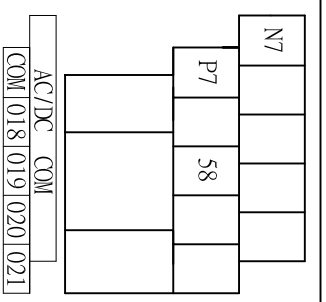
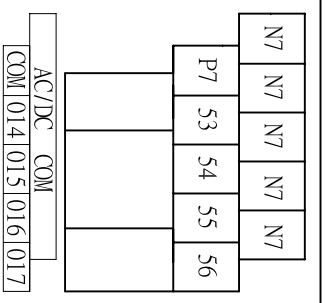
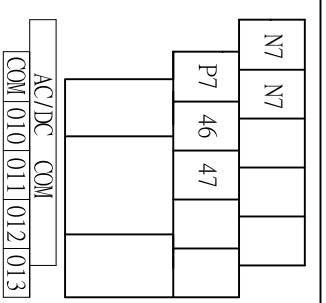
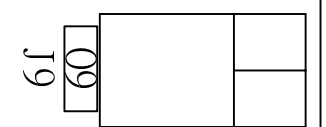
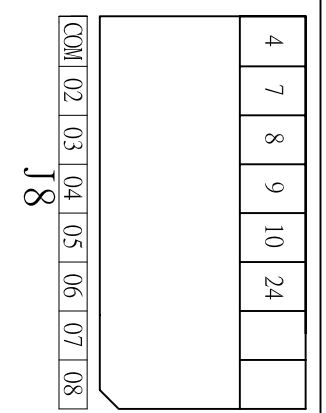
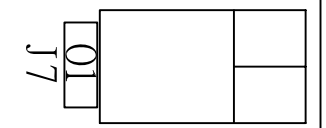
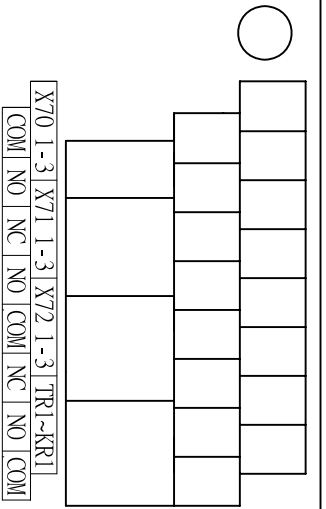
ACER GROUP		TITLE : CNC 6000i DRIVER		MACHINE MODEL		CONTROL :		Date:		PAGE	
18		19		VMC-2240XL		ANILAM 6000i		06. JAN. 2009		19	



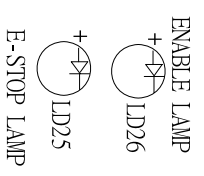
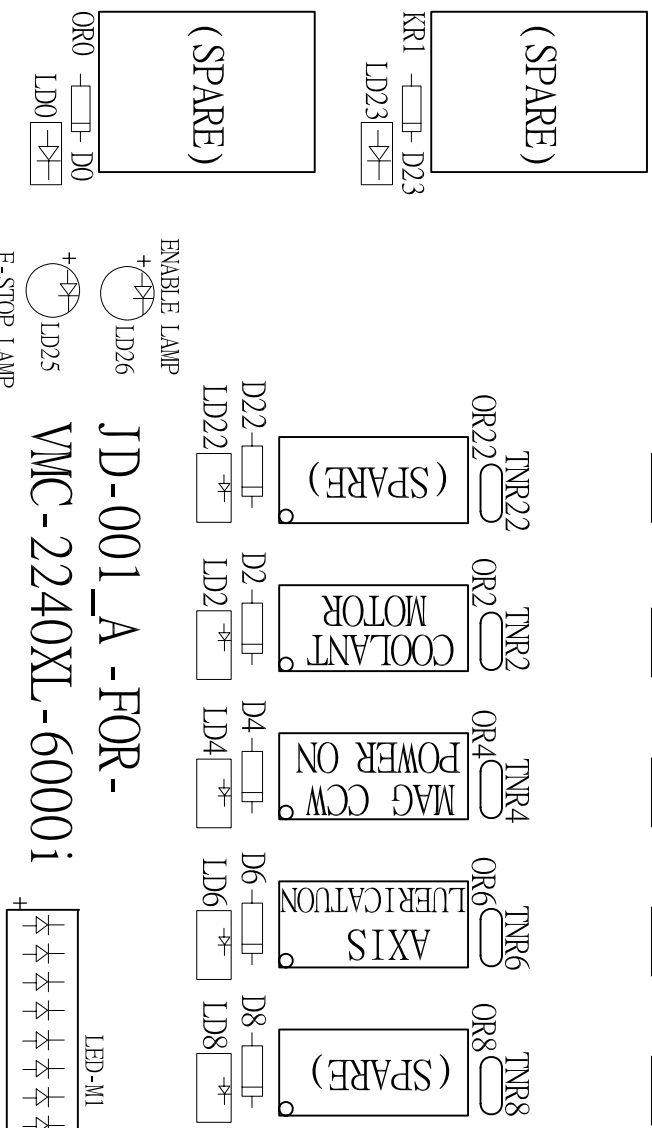
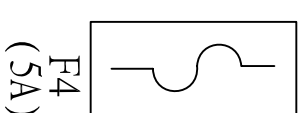
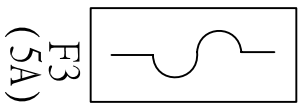
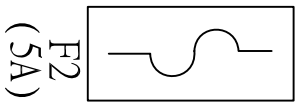
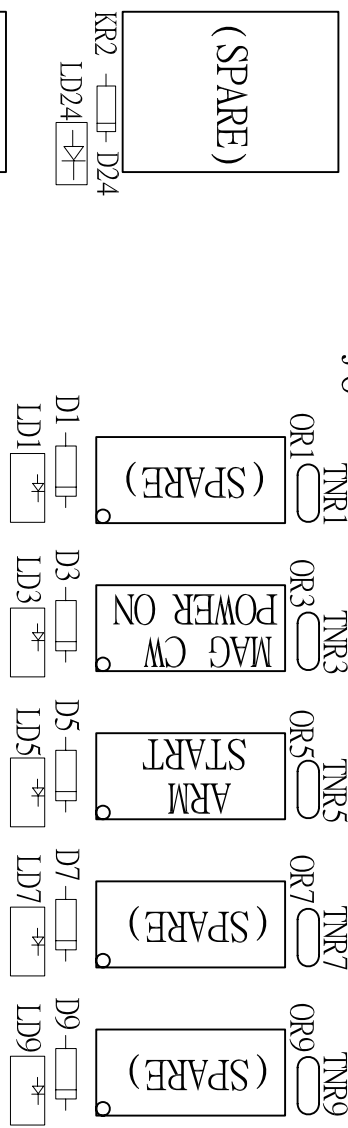
D37-M

1	2	3	4	5	6	7	8	9	10	11	12	13	14	15	16	17	18	19
20	21	22	23	24	25	26	27	28	29	30	31	32	33	34	35	36	37	PE

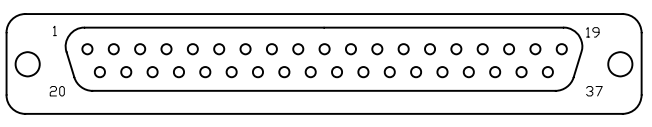
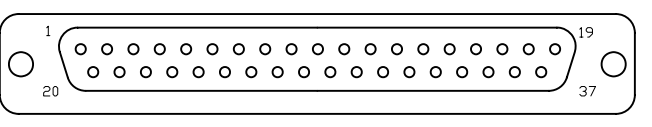
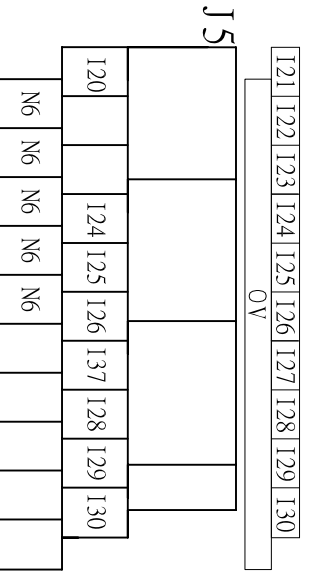
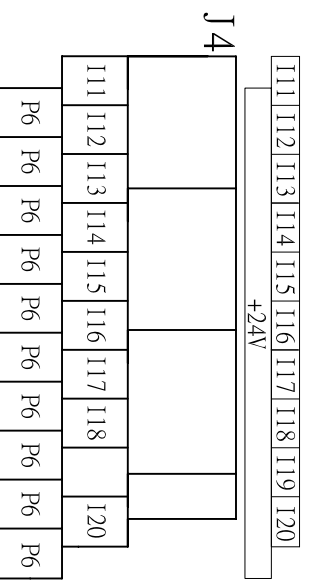
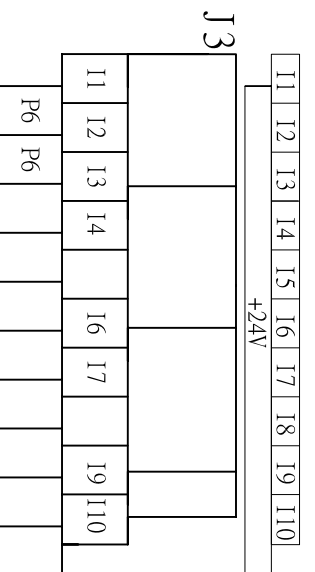
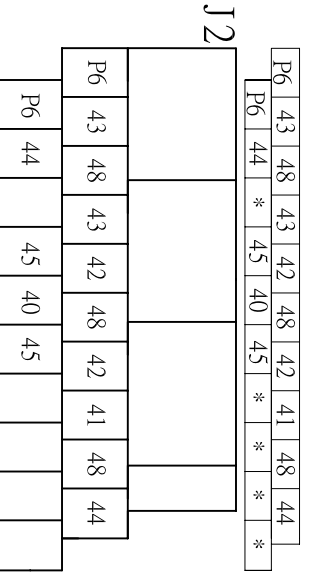
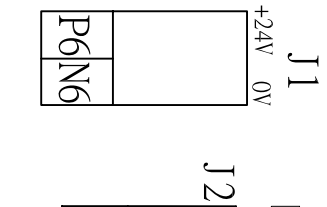
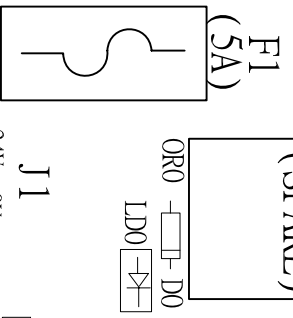
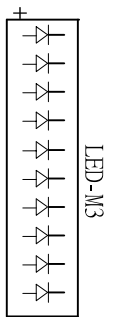
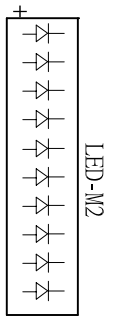
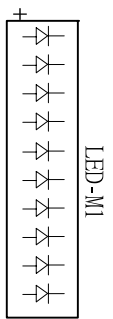
X41-1	X41-2	X41-3	X41-4	X41-5	X41-6	X41-7	X41-8	X41-9	X41-10	X41-11	X41-12	X41-13	X41-14	X41-15	X41-16	X41-17	X41-18	X41-19
X41-20	X41-21	X41-22	X41-23	X41-24	X41-25	X41-26	X41-27	X41-28	X41-29	X41-30	14B	X41-32	X41-33	X41-34	X41-35	X41-36	X41-37	PE

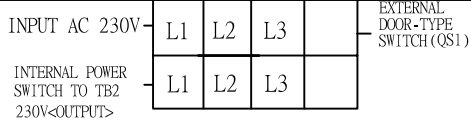


J6

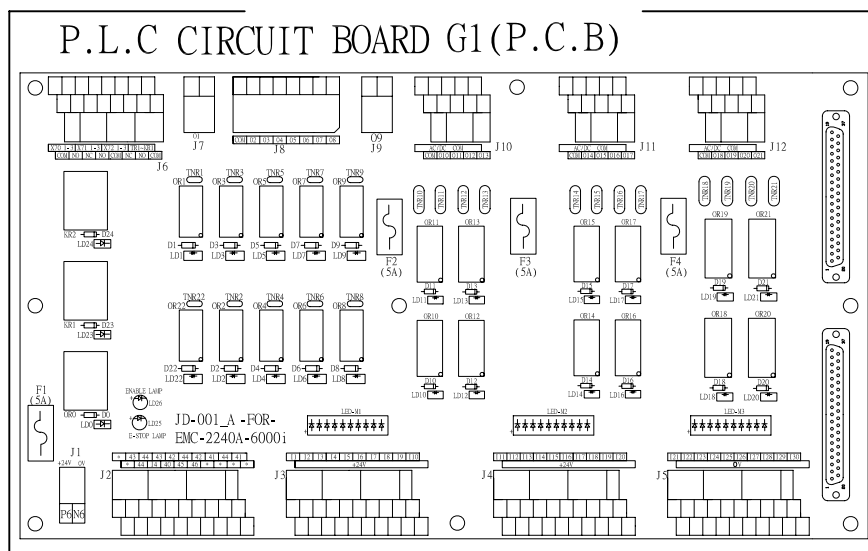
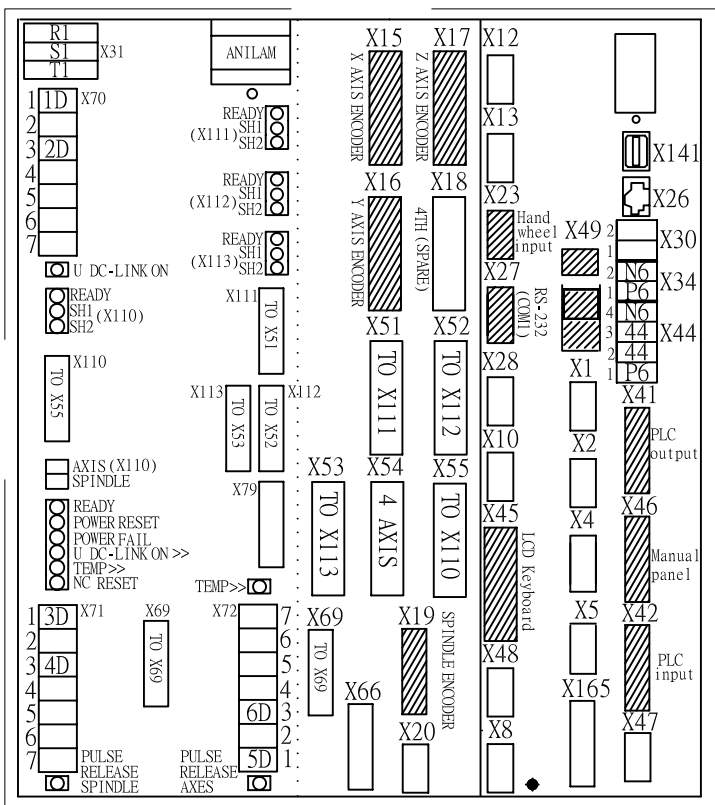
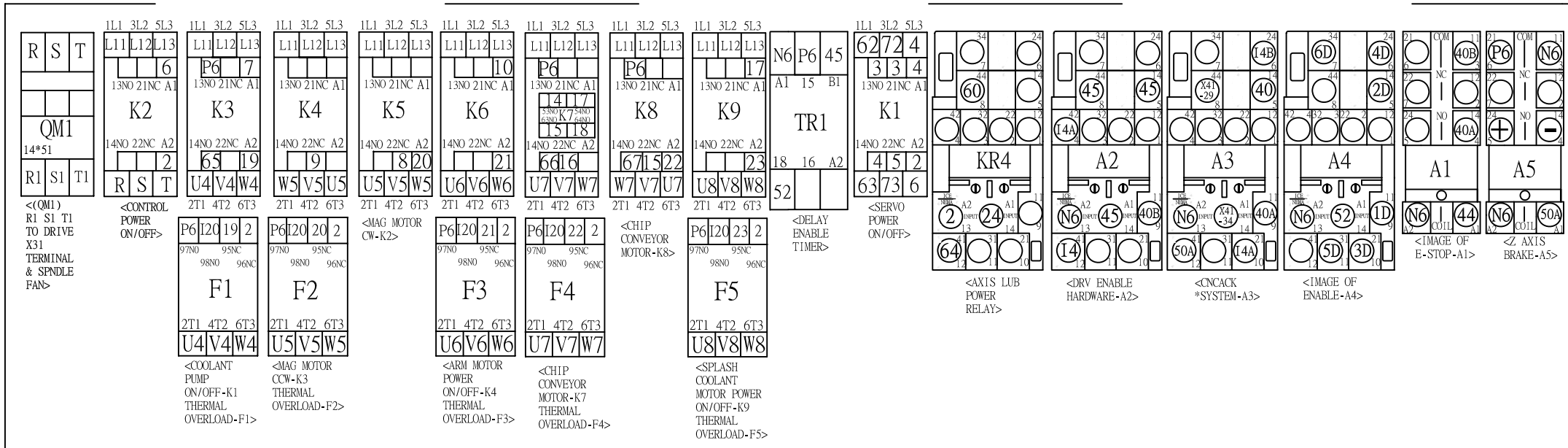


JD-001_A -FOR-
VMC-2240XL-6000i





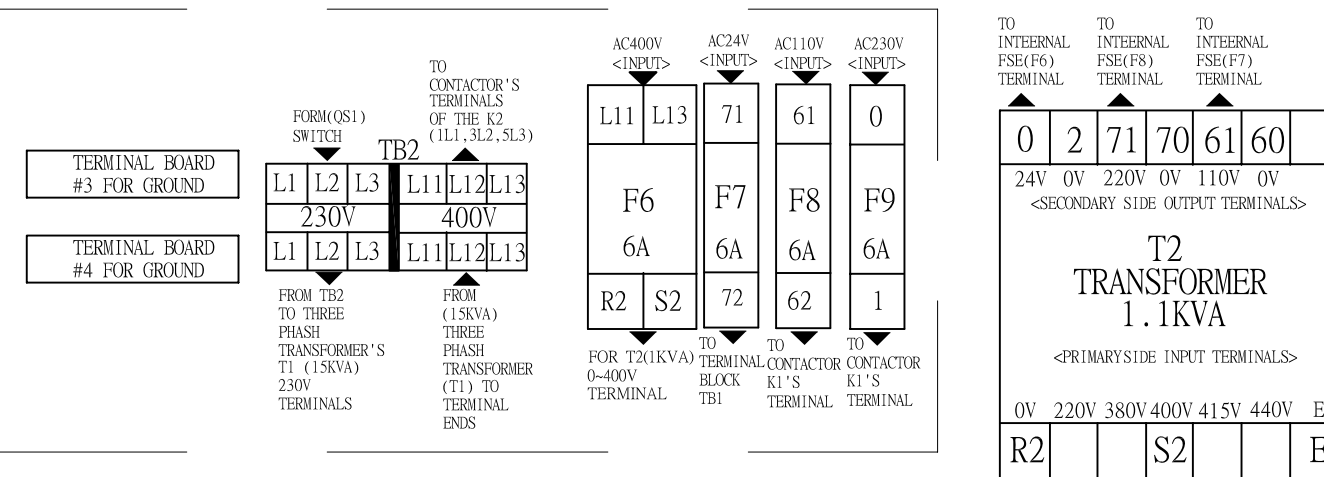
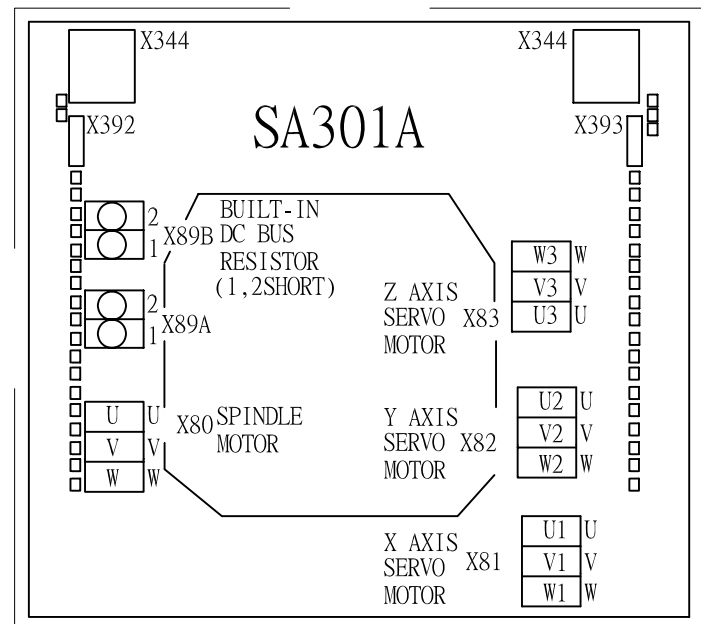
HEAT EXCHANGER AC 110V 63 60



X41
OUTPUT PCB
P.C.B.2

TERMINAL BOARD #1

R1	S1	T1	L1	L2	L3	U4	V4	W4	U5	V5	W5	60	60	63	63	70	70	70	73	73	73	75
U6	V6	W6	U7	V7	W7	U8	V8	W8	U8	V8	W8	64	64	60	60	63	63	70	70	73	73	75
U6	V6	W6	U7	V7	W7	U8	V8	W8	U8	V8	W8	64	64	60	60	63	63	70	70	73	73	75
R1	S1	T1	L1	L2	L3	U4	V4	W4	U5	V5	W5	60	60	63	63	70	70	70	73	73	73	75



ACER-VMC-2240XL-6000i

