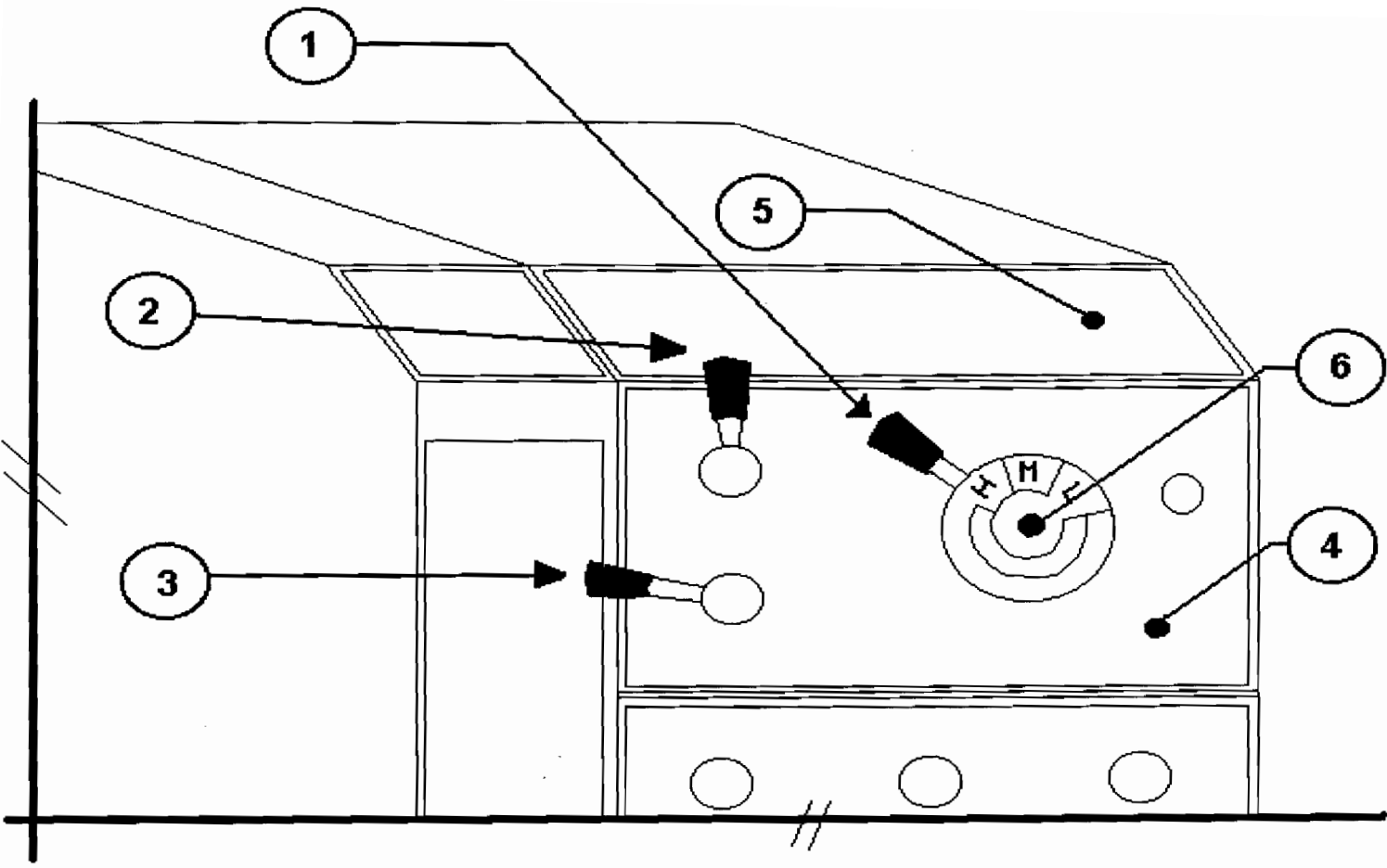


CONTENTS

Description	Page #
1. Description of Handles and Panel on Headstock	1
2. Electrical Wiring Diagram & Control Panel	2
3. Control Panel w/Electrical Cabinet	3
4. Control Panel & Description	4
5. Electrical Wiring Diagram	7
6. Part List of Electric Component	9
7. Mechanical Drawing & Its Part List	10
a. Headstock	11
b. Gear Box	17
c. Apron	23
d. Carriage and Tool Slide	27
e. Brake Mechanism	30
f. Tailstock	36
g. Steady Rest	38
h. Follow Rest	40
i. Taper Turning Attachment	42



Description of Handles and Panel on Headstock

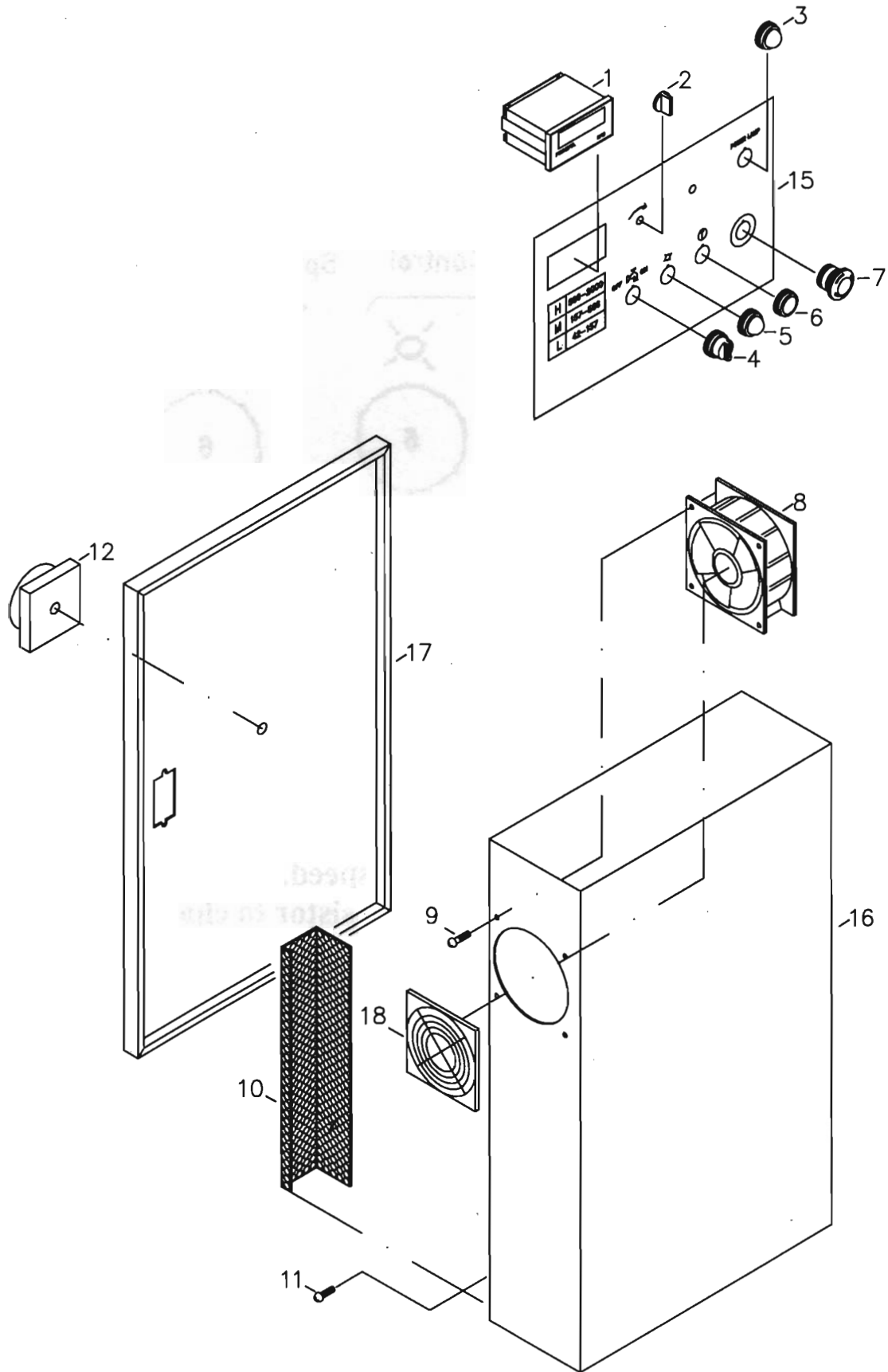
- 1. Selector Handle for Gear Range — H for high speed, 586 ~ 2000 RPM
M for medium speed, 157 ~ 586 RPM
L for low speed, 42 ~ 157 RPM
- 2. Selector Handle for A or D gear set — Select this gear set to match threading or feeding chart.
- 3. Selector for Feeding or Threading Direction — Move this handle to select feeding (threading) toward the chuck, or away from the chuck.
- 4. Name Plate for Front Headstock — Part#LP1740E-FH
- 5. Name Plate for Speed/ Torque Chart — Part#LP1740E-STC
- 6. Name Plate for Speed Range — Part#LP1740E-HML

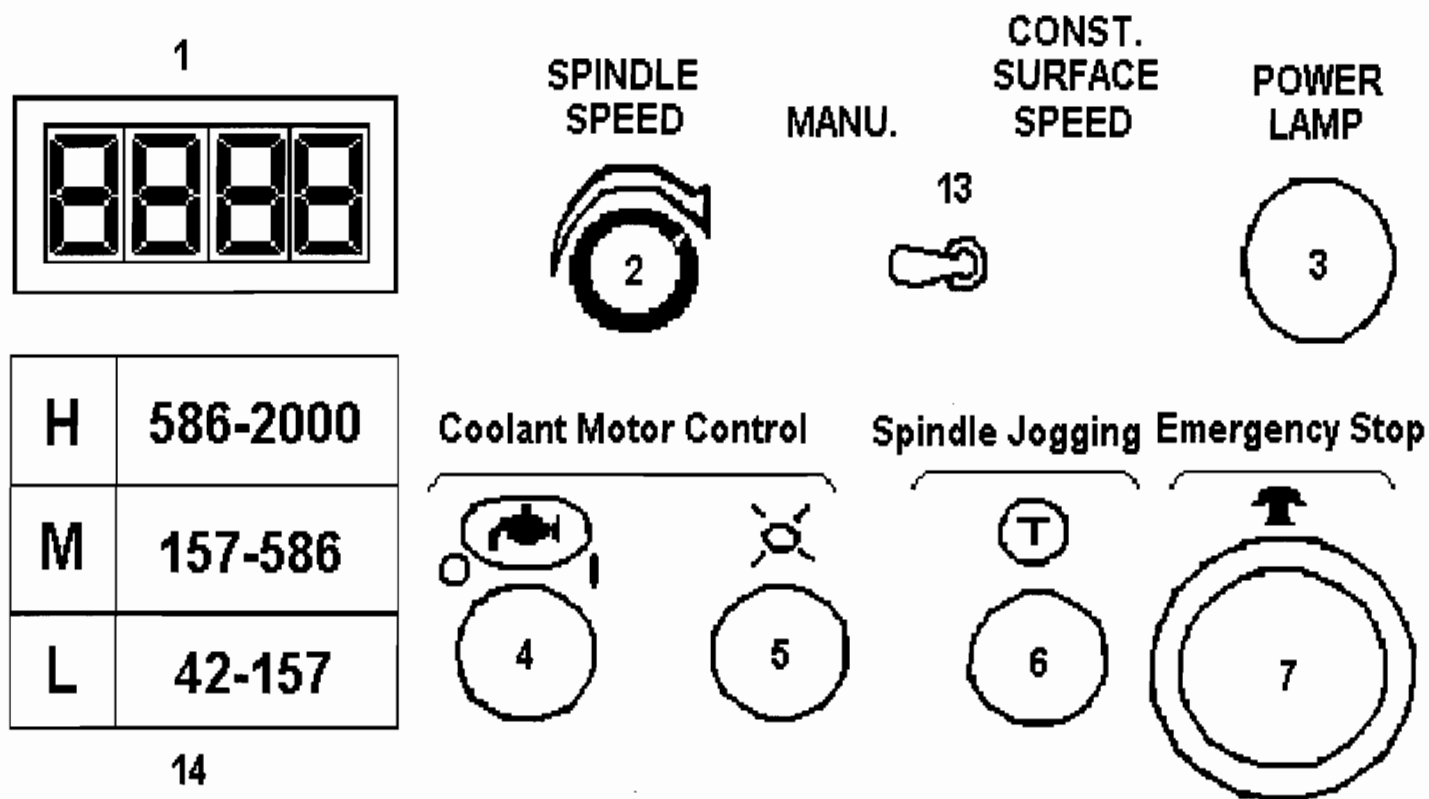
ELECTRICAL WIRING DIAGRAM

&

CONTROL PANEL

Control Panel w/Electrical Cabinet





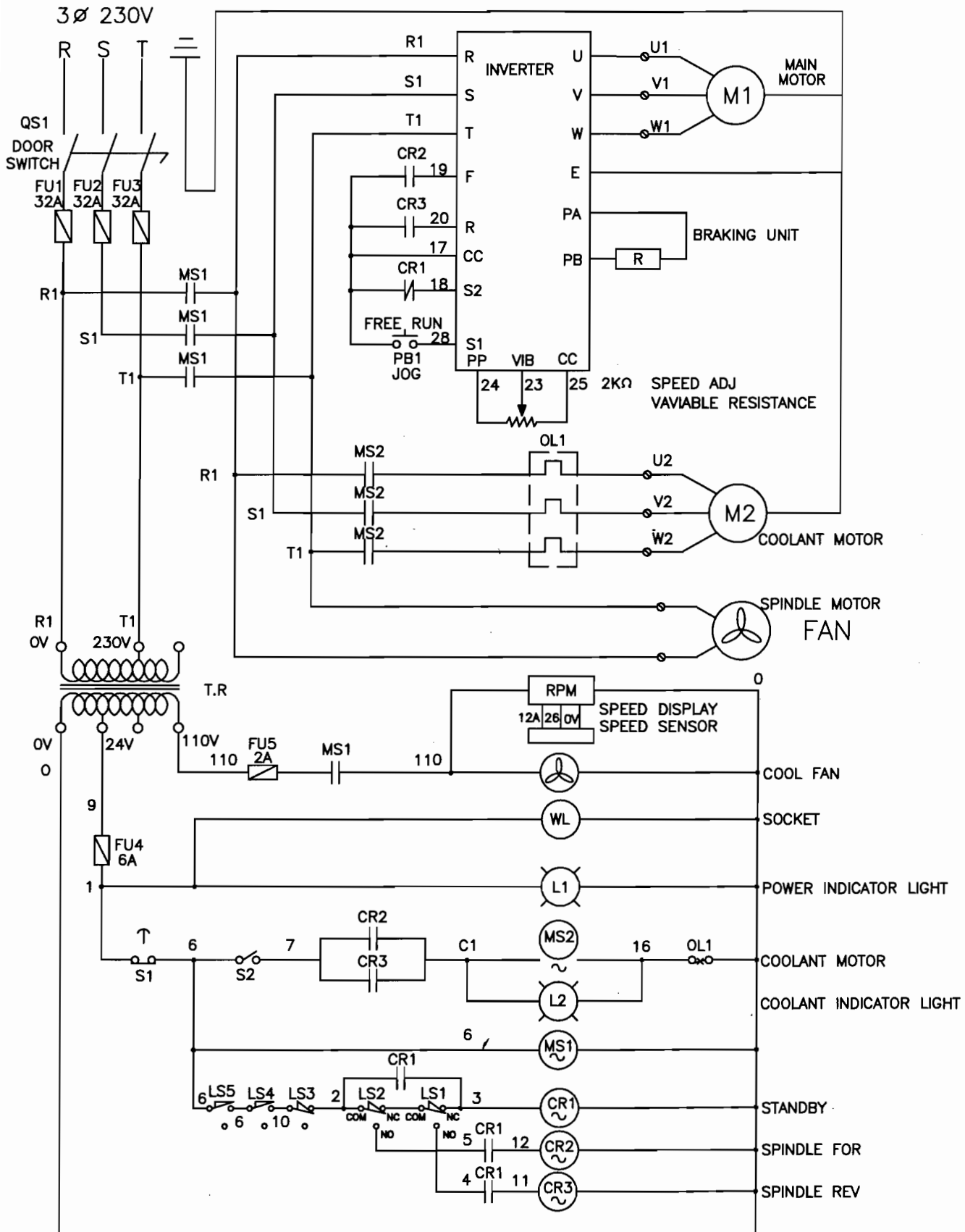
Control Panel & Description

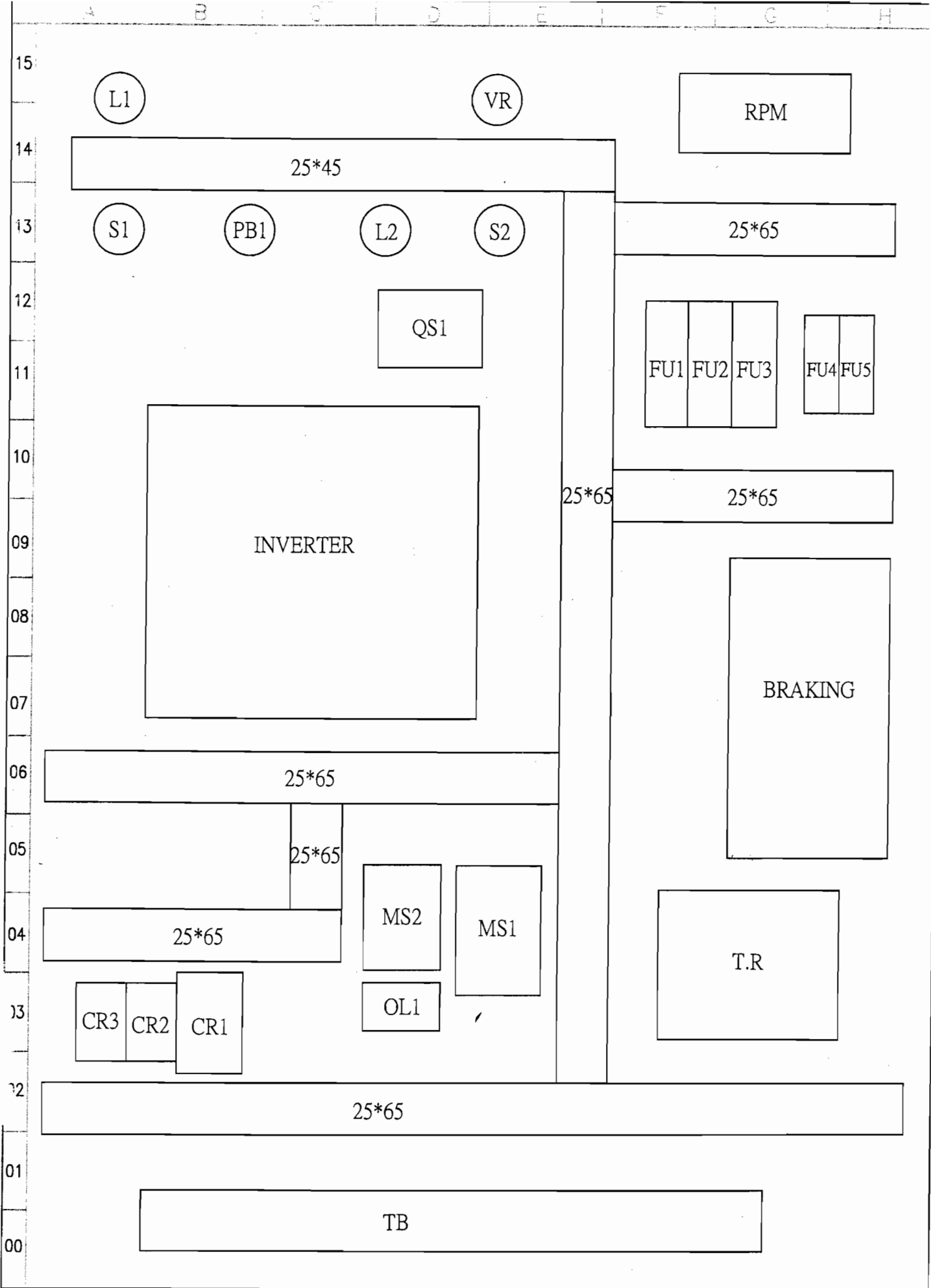
1. RPM Meter – Indicator of actual spindle speed.
2. Spindle Speed (VR) - Turn this variable resistor to change spindle speed.
3. Power Lamp - The indicator light for machine power.
4. Coolant Motor Control - Coolant on/off selection switch.
5. Coolant Motor Control – Coolant system on indicator light.
6. Spindle Jogging Button – Press this button to jog the spindle rotation.
7. Emergency Stop Switch – Press this switch to stop spindle power immediately. Release this switch to restore the circuit control power.
13. Manual/ Constant Surface Speed Switch – Toggle switch for switching between two different modes.
14. H.M.L. Range – Display chart for three different speed ranges.

Part List of E-lathe 17" Control Panel

Description	Part Number
1. RPM meter	LPE1740E-RPM
2. Spindle Speed (VR)	LPE1740E-VR
3. Power Lamp	LPE1740E-L1
4. Coolant Motor Control	LPE1740E-S2
5. Coolant Indicator Light	LPE1740E-L2
6. Spindle Jogging Button	LPE1740E-PB1
7. Emergency Stop Switch	LPE1740E-S1
8. Cooling Fan	MPE9510-2
9. Round Philips Head Screw	
10. Cover for Braking Resistors	LP1740E-CBR
11. Round Philips Head Screw	
12. QS1 Power Switch	LPE1740E-QS1
13. Manu./Const. Surface Speed Switch	LPE1740E-TS
14. H.M.L. data	
15. Name Plate for Control Panel	LP1740E-NP
16. Electric Cabinet	LP1740E-EC
17. Cover for Electric Cabinet	LP1740E-DC
18. Filter for Cooling Fan	MP9634

Electrical Wiring Diagram

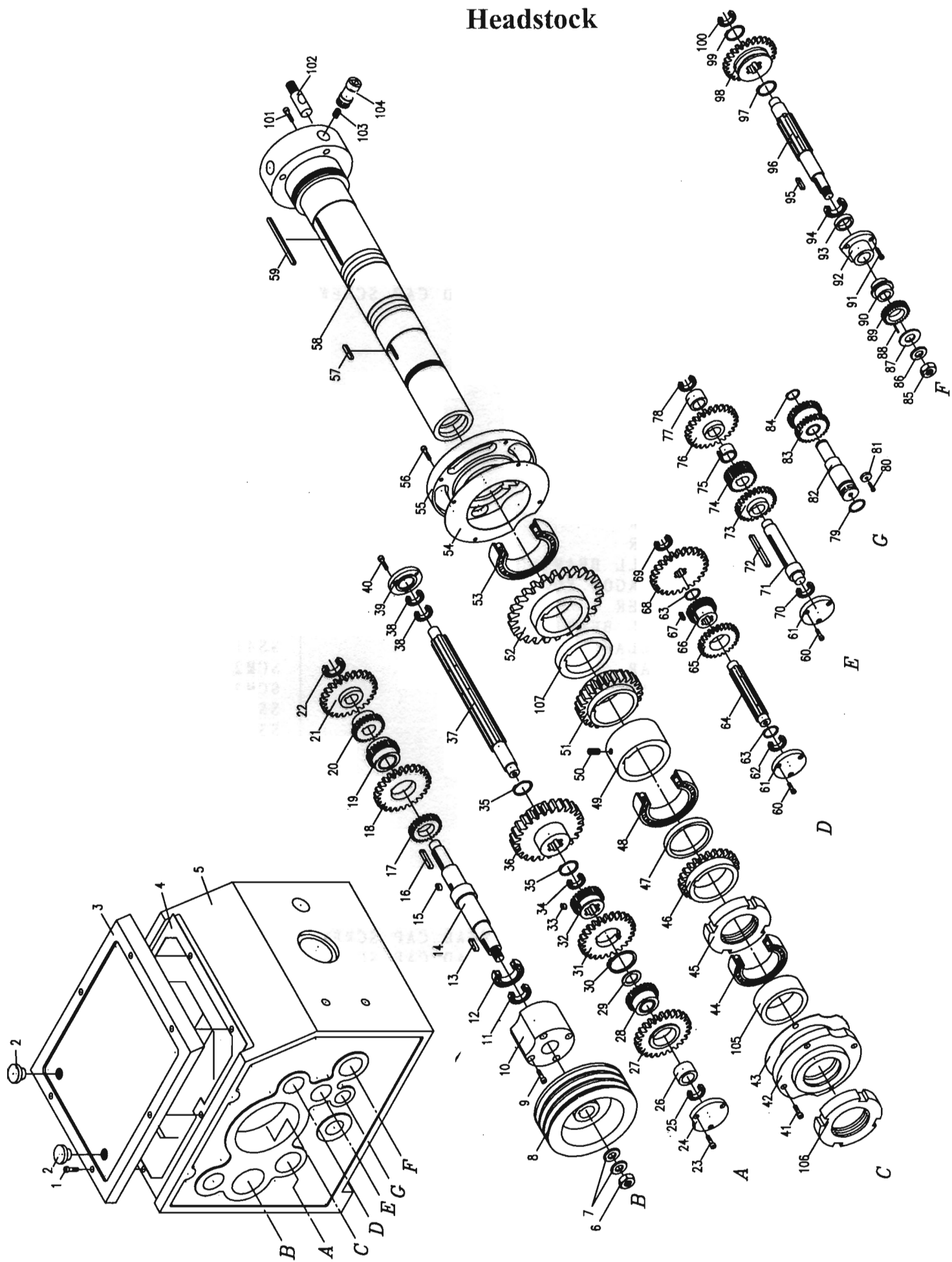




E-LATHE 17" SERIES—PART LIST OF ELECTRIC COMPONENT

DESCRIPTION	SPECIFICATION	PART #
1. Power on/Off	XA163B	LPE1740E-QS1
2. Fuse 1, 2, 3	32 Amp	LPE1740E-FU1
3. Fuse 4	6 Amp	LPE1740E-FU4
4. Fuse 5	2 Amp	LPE1740E-FU5
5. Fuse Seat for Fuse 1, 2, 3	TE 1P-10x28	LPE1740E-FS1
6. Fuse Seat for Fuse 4, 5	1 A Fuse Seat w/Cover	LPE1740E-FS4
7. Single Phase Transformer	300 VA (CE Standard)	LPE1740E-TR
8. Magnetic Contactor(MS1)	Taian CN25/24V	LPECN25
9. Magnetic Contactor(MS2)	Taian CN11/24V (4A)	LPECN11
10. Magnetic Contactor(CR1)	Taian CN11/24V(3A1B)	LPECN11-1B
11. Thermal Relay(OL1)	Taian RHN10/.3~.45A	LPERHN10/.3~.45
12. Relay(CR2/CR3)	IDEC MY2/24V	LPE1740E-CR2
13. RPM Meter	AXE RPM Meter	LPE1740E-RPM
14. Proximity Switch	TLE5NE1	LPE1740E-PS
15. Emergency Push Button	MT4+A3L+3X01 (R)	LPE1740E-S1
16. Jogging button	F2+3X01+A3L (B)	LPE1740E-PB1
17. Coolant Select Switch	800EPSM22/E3X10/EA3L	LPE1740E-S2
18. Power Indicator Light	PM9DO/24V (R)	LPE1740E-L1
19. Coolant Indicator Light	PM9DO/24V (W)	LPE1740E-L2
20. Potentiometer (VR)	202B, 2K Ohms	LPE1740E-VR
21. For/Rev. Limit Switch	TM1704	LPE1740G-LS1
22. Side Cover limit Switch	TM1303	LPE1740G-LS3
23. Brake Limit Switch	TM1303	LPE1740G-LS3
24. Chuck Cover L. Switch	TZ5104-2	LPETZ5104-2
25. Cooling Fan	AC/110V	MPE9510-2
26. Fan Filter	4" sq. Filter Net	MP9634
27. Toshiba Inverter	VFS9-2075PL	LPE9509-8
28. Braking Resistor	ZQR450W15J Ohm	MP9506-7
29. Terminal Block	30A/21P	LPE1740E-TB21
30. Terminal Block	25A/6P	LPE1740E-TB6
31. Terminal Block	30A/3P	LPE1740E-TB3
32. Main Motor	7.5HP Spindle Motor	LPE1740E-M1
33. Coolant Pump	1/8HP Coolant Pump	LPE1/8HP*2P
34. Main Motor Fan		LPE1740E-FAN

Headstock

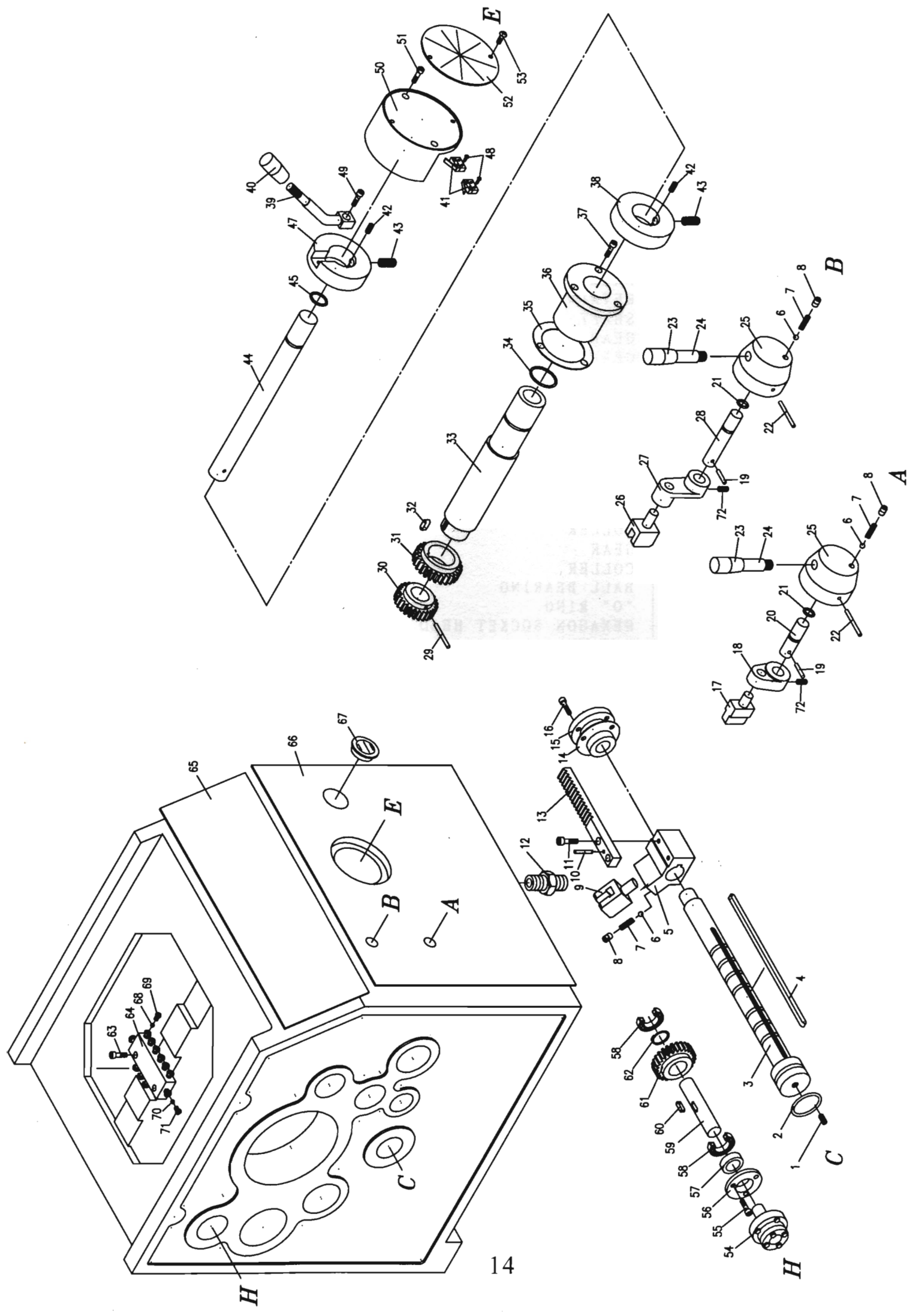


HEADSTOCK (D-TYPE)

REF NO.	PART NO.	PART NAME	SPECIFICATION	USED Q'TY
1	SH-0625	HEXAGON SOCKET HEAD CAP SCREW	M6xP1.0x25L	6
2	5H-40800	PLUG	Plastic	2
3	7H-30020	COVER	FC20	1
4	7H-40830	PACKING	PACKING	1
5	7H-10010	HEAD STOCK	FC25	1
6	N-16	NUT	M16xP2.0	1
7	W-16	WASHER	\$ 16	2
8	I8H-40310	PULLEY	FC20	1
9	SH-0820	HEXAGON SOCKET HEAD CAP SCREW	M8xP1.25x20L	4
10	7H-40300	COVER	FC20	1
11	BB-6006	BALL BEARING	6006Z	1
12	BB-6007	BALL BEARING	6007-2RS	1
13	KY-7x7x28	KEY	7x7x28L	1
14	7H-30450	SHAFT	S45C	1
15	KY-7x7x12	KEY	7x7x12L	1
16	KY-7x7x45	KEY	7x7x45L	1
17	7H-40040	GEAR	SCM21,23T	1
18	7H-40050B	GEAR	SCM21,43T	1
19	7H-40050A	GEAR	SCM21,23T	1
20	7H-40060	GEAR	SCM21,23T	1
21	7H-40070	GEAR	SCM21,43T	1
22	BB-6304	BALL BEARING	6304	1
23	SH-0512	HEXAGON SOCKET HEAD CAP SCREW	M5xP0.8x12L	3
24	7H-40330	COVER	Plastic	1
25	BB-6304	BALL BEARING	6304	1
26	7H-40360	COLLAR	SS41	1
27	7H-40080B	GEAR	SCM21,43T	1
28	7H-40080A	GEAR	SCM21,23T	1
29	7H-40500	WASHER	SS41	1
30	S-38	RETAINING RING	S38	1
31	7H-40090B	GEAR	SCM21,43T	1
32	7H-40090A	GEAR	SCM21,23T	1
33	KY-7x7x12	KEY	7x7x12L	2
34	BB-62/32	BALL BEARING	62/32	1
35	S-32	RETAINING RING	S32	2
36	7H-40100V	GEAR	SCB21,45T	1
37	7H-30110	SHAFT	SCM4	1
38	BB-6004	BALL BEARING	6004	2
39	7H-40320	COVER	AL	1
40	SH-0512	HEXAGON SOCKET HEAD CAP SCREW	M5xP0.8x12L	3
41	SH-0620	HEXAGON SOCKET HEAD CAP SCREW	M6xP1.0x20L	4
42	20H-40290	COVER	FC20	1
43	7H-40960	PACKING		1
44	BB-6215	BALL BEARING	32215	1
45	AN-16	LOCKING NUT	AN16	1
46	7H-40160	GEAR	SCM21,44T	1
47	7H-40910	SPARCER	FC20	1
48	BB-32016	BALL BEARING	32016X	1
49	7H-40140V	COLLAR	S45C	1
50	SS-1010	HEXAGON SOCKET SET SCREW	M10xP1.5x10L	1
51	7H-40150V	GEAR	SCM21,41T	1
52	7H-40120	GEAR	SCM21,61T	1
53	BB-32017	BALL BEARING	32017X	1
54	7H-40970	PACKING		1
55	7H-40280D	FRONT COVER	FC20	1

HEADSTOCK (D-TYPE)

REF NO.	PART NO.	PART NAME	SPECIFICATION	US Q'
56	SH-0625	HEXAGON SOCKET HEAD CAP SCREW	M6xP1.0x25L	4
57	KY-12x8x22	KEY	12x8x22L	1
58	18H-30030D	SPINDLE	S45C	1
59	15x10x140	KEY	15x10x140L	1
60	SH-0512	HEXAGON SOCKET HEAD CAP SCREW	M5xP0.8x12L	6
61	7H-40340	COVER	Plastic	2
62	BB-6004	BALL BEARING	6004	1
63	S-25	RETAINING RING	S25	2
64	7H-30190	SHAFT	S45C	1
65	7H-40180B	GEAR	SCM21,30T	1
66	7H-40180A	GEAR	SCM21,20T	1
67	KY-5x5x17	KEY	5x5x17L	1
68	7H-40170	GEAR	SCM21,44T	1
69	BB-6004	BALL BEARING	6004	1
70	BB-6004	BALL BEARING	6004	1
71	7H-40260	SHAFT	S45C	1
72	KY-7x7x80	KEY	7x7x80L	1
73	7H-40200	GEAR	SCM21,30T	1
74	7H-40240	GEAR	SCM21,20T	1
75	7H-40380	COLLER	SS41	1
76	7H-40250	GEAR	SCM21,40T	1
77	7H-40370	COLLER	SS41	1
78	BB-6004	BALL BEARING	6004	1
79	G-26	"O" RING	G-26	1
80	SH-0512	HEXAGON SOCKET HEAD CAP SCREW	M5xP0.8x12L	1
81	7H-40510	WASHER	SS41	1
82	7H-40270	SHAFT	S45C	1
83	7H-40210	GEAR	SCM21,24T	1
84	S-22	RETAINING RING	S22	1
85	N-16	NUT	M16	1
86	W-16	WASHER	φ 16	1
87	7B-40980	WASHER	SS41	1
88	SP-03	PIN	φ 3	1
89	7B-40110	GEAR	S45C,28T	1
90	7B-40970	COLLER	SS41	1
91	SH-0512	HEXAGON SOCKET HEAD CAP SCREW	M5xP0.8x12L	3
92	7H-40350	COVER	AL	1
93	TC-253508	OIL SEAL	25x35x8	1
94	BB-6005	BALL BEARING	6005CMZ	1
95	KY-6x6x27	KEY	6x6x27L	1
96	7H-30230	SHAFT	S45C	1
97	S-32	RETAINING RING	S32	1
98	7H-40220	GEAR	SCM21,40T	1
99	S-32	RETAINING RING	S32	1
100	BB-6204	BALL BEARING	6204	1
101	7H-40400	HEXAGON SOCKET HEAD CAP SCREW	M8xP1.25x20L	6
102	7H-40410	CAM BOLT	S45C	6
103	7H-40420	SPRING	SWPA	6
104	7H-30390	CAM	SCM21	6
105	20H-40300	SPARCER	S45C	1
106	20H-40040	LOCKING NET	AN15	1
107	7H-40130V	COLLAR	S45C	1



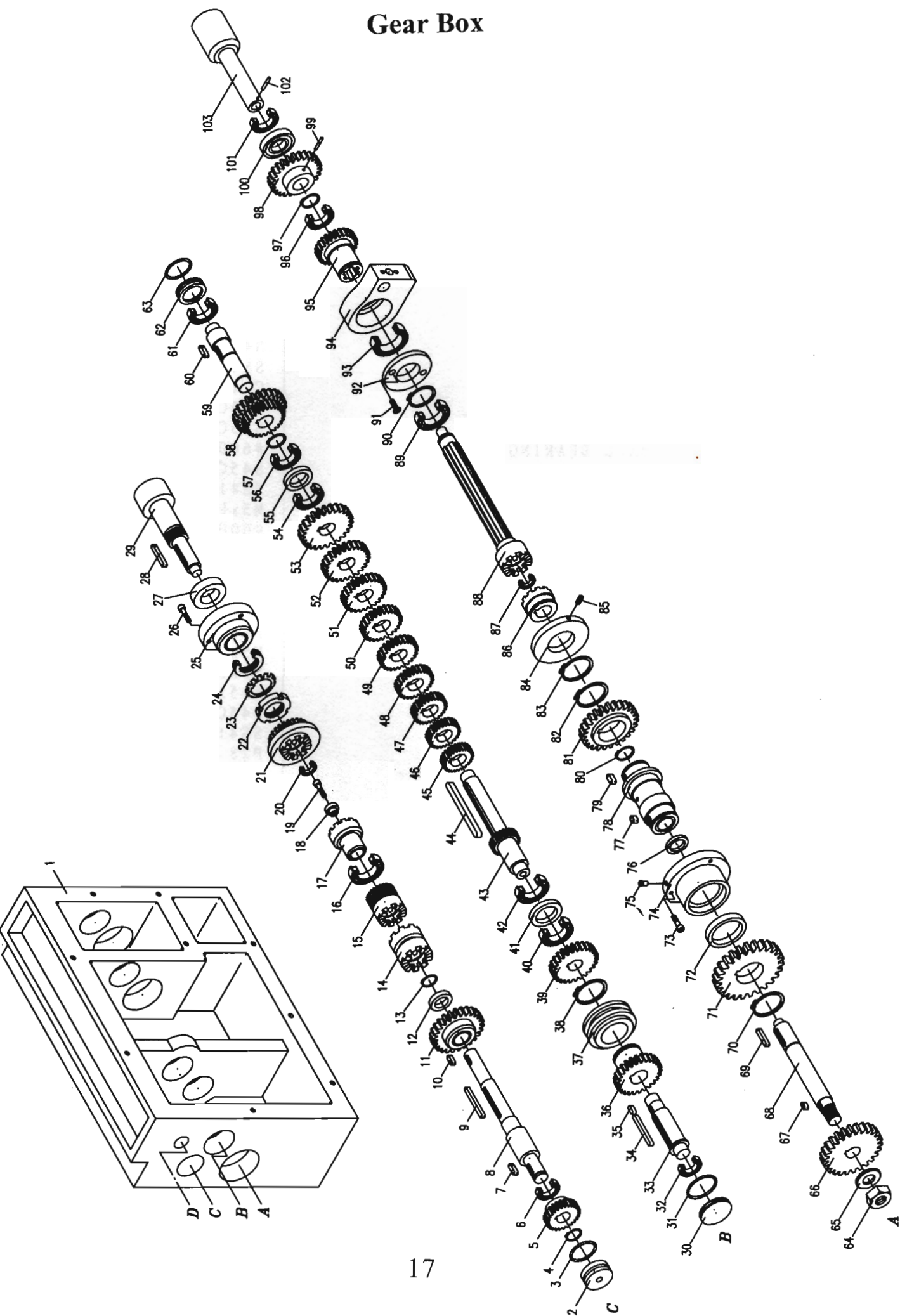
HEADSTOCK

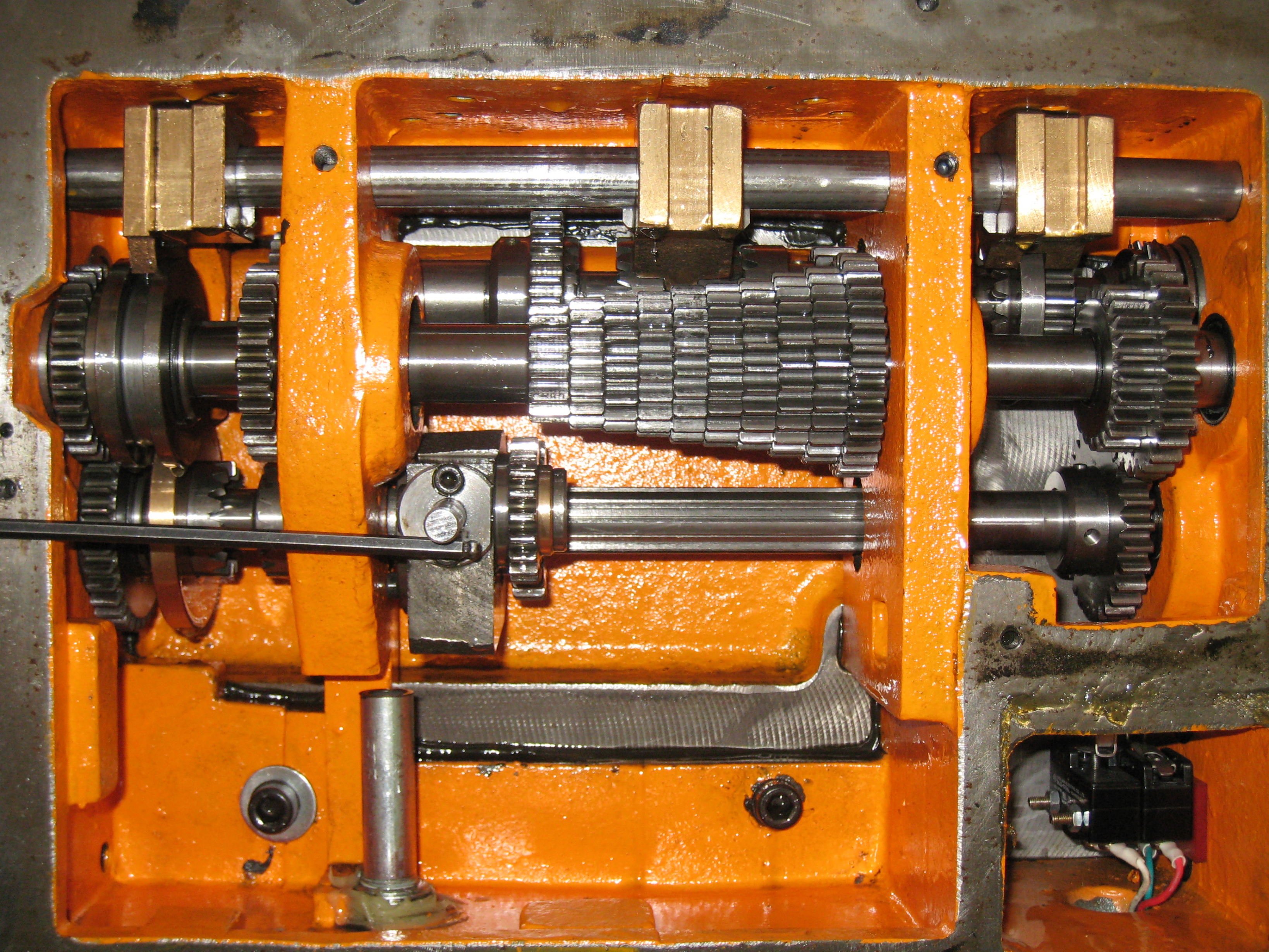
REF NO.	PART NO.	PART NAME	SPECIFICATION	USED Q'TY
1		HEALESS, SOCKET SET SCRWE	M6xP1.0x6L	1
2		"O" RING	P26	1
3	7H-40660	SHAFT	SS41	1
4		KEY	6x6x230L	1
5	7H-40630	ROCKER ARM	FC15	1
6		STEEL BALL	ϕ 1/4"	4
7		SPRING	O.D.6xWIREx0.8	4
8		HEALESS, SOCKET SET SCRWE	M8xP1.25x6L	4
9	7H-40650	CHANGE SPEED BLOCK	BC2	1
10		PIN	ϕ 4x20L	2
11		HEXAGON SOCKET HEAD CAP SCREW	M5xP0.8x14L	2
12	18H40920	CONTROLLER OF PROPORTION	SS41	1
13	7H-40640	RACK	SS41	1
14	7H-40990	PACKING	PACKING	1
15	7H-40740	COVER	FC15	1
16		HEXAGON SOCKET HEAD CAP SCREW	M5xP0.8x12L	3
17	7H-40670	CHANGE SPEED BLOCK	BC2	1
18	7H-40680	ROCKER ARM	FC15	1
19		PIN	ϕ 5x36L	1
20	7H-40690	SHAFT	SS41	1
21		"O" RING	P12	2
22		PIN	ϕ 3x45L	2
23	7A-40580	KNOB	Plastic	2
24	3A-40380	LEVER	SS41	2
25	3H-40380	HANDLE BOSS	SS41	2
26	7H-40700	CHANGE SPEED BLOCK	BC2	1
27	7H-40710	ROCKER ARM	FC15	1
28	7H-40730	SHAFT	SS41	1
29		PIN	ϕ 5x40L	1
30	7H-40590	GEAR	S45C,26T	1
31	7H-40580	GEAR	S45C,26T	1
32		KEY	6x6x16L	1
33	7H-40530	CHANGE SPEED SHAFT	S45C	1
34		"O" RING	P32	1
35		PACKING	PACKING	1
36	7H-40540	BUSHING	FC20	1
37		HEXAGON SOCKET HEAD CAP SCREW	M5xP0.8x12L	3
38	7H-40550A	HANDLE BOSS	SS41	1
39	7H-40760	LEVER	SS41	1
40	7A-40580	KNOB	Plastic	1
41		LIMITS SWITCH	V15FC22-1B	2
42		HEALESS, SOCKET SET SCRWE	M6xP1.0x6L	2
43		HEALESS, SOCKET SET SCRWE	M10xP1.5x10L	1
44	7H-40520	CHANGE SPEED ROD	S35C	1
45		"O" RING	P20	1
46		HEADLESS SOCKET SET SCRWE	M10xP1.5x10L	1
47	7H-40560	HANDLE BOSS	SS41	1
48	SS-0420	HEADLESS SOCKET SET SCREW	M4xP0.7x20L	4
49		HEXAGON SOCKET HEAD CAP SCREW	M6xP1.0x12L	1
50	7H-30570	COVER	Plastic	1
51		HEXAGON SOCKET HEAD CAP SCREW	M5xP0.8x45L	2
52		NAME PLATE	AL	1
53		ROUND HEAD SCREW	M5xP0.8x8L	2
54	7L-40070	PUMP		1
55		HEXAGON SOCKET HEAD CAP SCREW	M5xP0.8x12L	3

HEADSTOCK

REF NO.	PART NO.	PART NAME	SPECIFICATION	USED Q'TY
56	7L-40010	COVER	SS41	1
57	7L-40040	COLLER	SS41	1
58		BEARING	6203	2
59	7L-40020	SHAFT	SS41	1
60		KEY	5x5x16	1
61	7L-40030	GEAR	Plastic	1
62		SNAP RING	S-20	1
63		HEXAGON SOCKET HEAD CAP SCREW	M5xP0.8x20L	2
64	7L-40150A	OIL-DISTRIBUTING SEAT		1
65	CH-8H1	NAME PLATE	AL	1
66	CH-8H2	NAME PLATE	AL	1
67		OIL WINDOWS	§ 29	1
68	PB-4	THIMBLE	PUB2	10
69	PA-4	THIMBLE NUT	PUB2	10
70	PB-6	THIMBLE	PUB2	1
71	PA-6	THIMBLE NUT	PUB2	1
72	SS-0606	HEADLESS SOCKET SET SCREW	M6xP1.0x6L	2

Gear Box



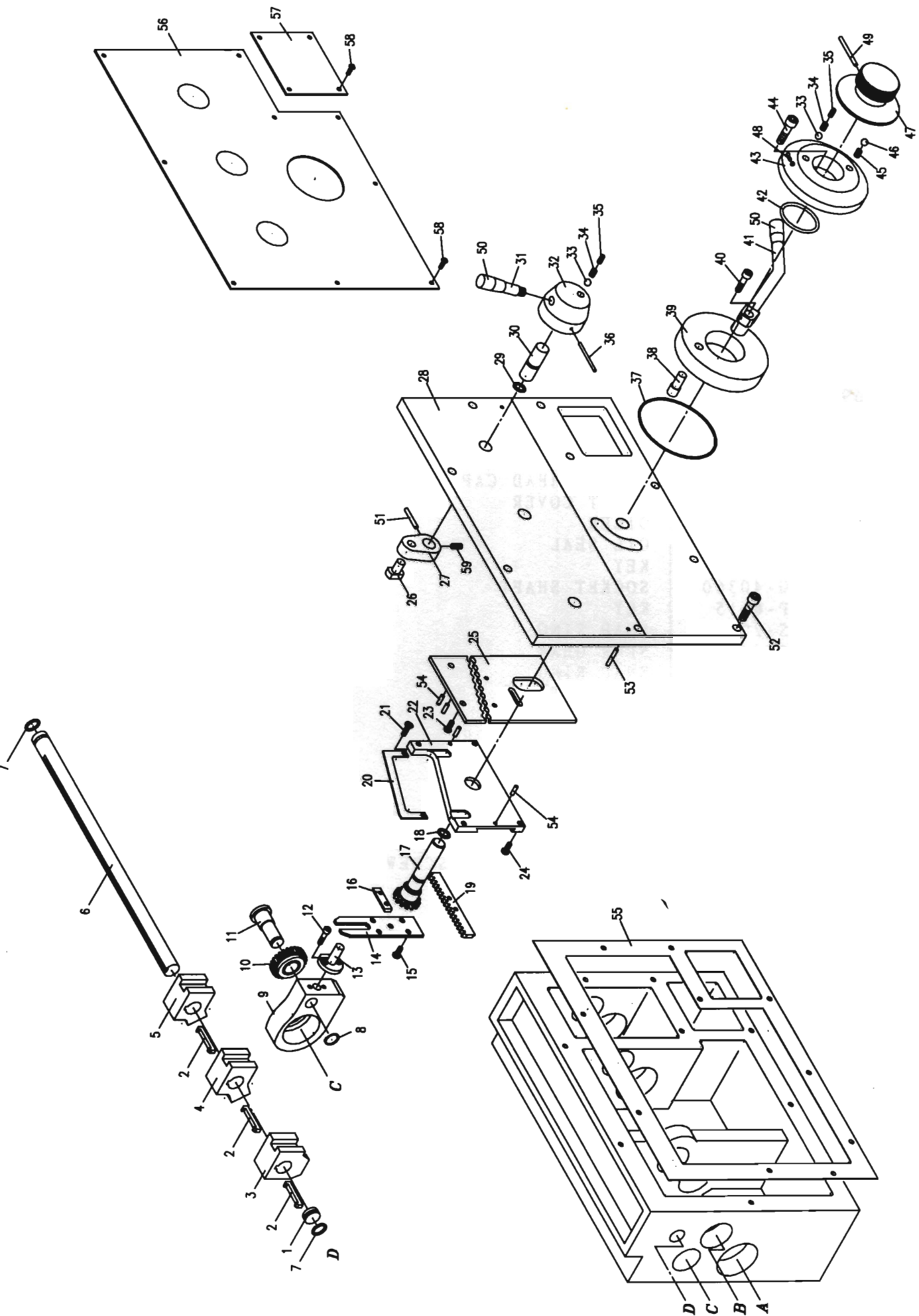


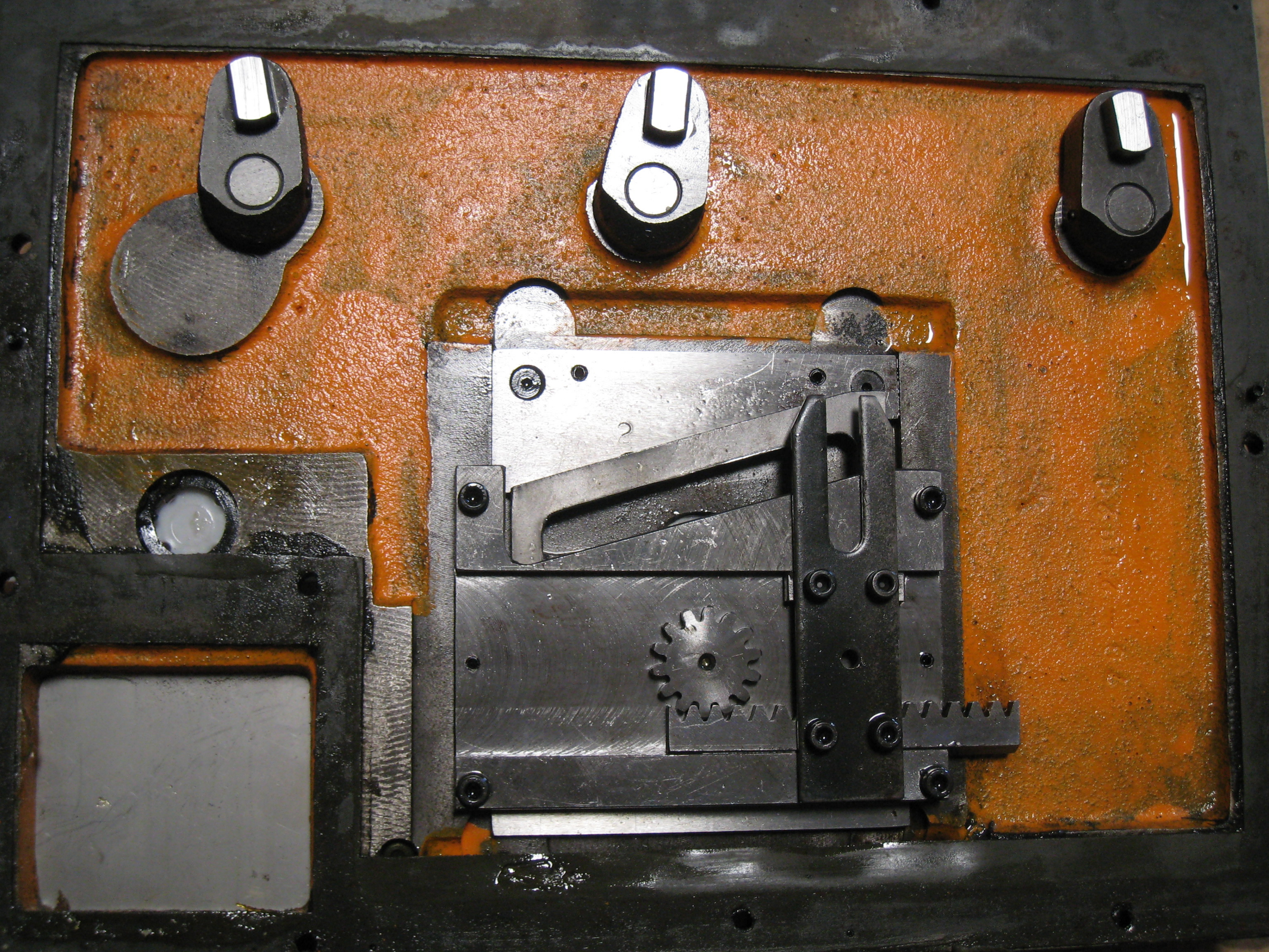
GEAR BOX

REF NO.	PART NO.	PART NAME	SPECIFICATION	USED Q'TY
1	7G-30010	GEAR BOX	FC20	1
2	7G-40140	HOLE PLUG	SS41	1
3	P-28	"O" RING	P28	1
4	CS-17	SNAP RING	C type.I.D.17	1
5	7G-40040	SUPR GEAR	S45C,M2x20T	1
6	BB-6003	BALL BEARING	#6003	1
7	KP-5517	KEY	5x5x17	1
8	7G-40030	SHAFT	S45C	1
9	KP-5550	KEY	5x5x50	1
10	KP-5515	KEY	5x5x15	1
11	7G-40050	CLUTCH GEAR	S45C,M2x32Tx18T	1
12	7G-40060	SPACE COLLAR	SS41	1
13	CS-18	SNAP RING	C type.I.D.18	1
14	7G-40070	CLUTCH GEAR	S45C,M2x18T	1
15	7G-40080	CLUTCH GEAR	S45C,M2x16T	1
16	BB-6005	BALL BEARING	#6005	1
17	7G-40090	CLUTCH GEAR	S45C	1
18	7G-40750	WASHER	SS41	1
19	SH-0516	SOCKET HEAD CAP SCREW	M5xP0.8x16L	1
20	BB-6001	BALL BEARING	#6001	1
21	7G-40100AB	CLUTCH GEAR	S45C,M2x24T	1
22	AN-05	LOCKING NUT	AN5	1
23	AW-05	LOCKING WASHER	AW5	1
24	BS-51105	THRUST BEARING	#51105	1
25	7G-40120	COVER	FC15	1
26	SH-0516	SOCKET HEAD CAP SCREW	M5xP0.8x16L	3
27	TC-253305	OIL SEAL	25x33x5	1
28	KP-5535	KEY	5x5x35L	1
29	7G-40130	SHAFT	S45C	1
30	7G-40150B	HOLE PLUG	SS41	1
31	P-28	"O" RING	P28	1
32	BB-16003	BALL BEARING	#16003	1
33	7G-40150A	SHAFT	S45C	1
34	KP-5550	KEY	5x5x50	1
35	KP-5513	KEY	5x5x13	1
36	7G-40170	SPUR GEAR	S45C,M2x28T	1
37	7G-40180	ROCKING COLLAR	SS41	1
38	CS-35	SNAP RING	C type.I.D.35	1
39	7G-40160	SPUR GEAR	S45C,M2x28T	1
40	BB-6203	BALL BEARING	#6203	1
41	7G-40190	SPACE COLLAR	SS41	1
42	BB-6203	BALL BEARING	#6203	1
43	7G-40200	GEAR SHAFT	S45C	1
44	KP-7790	KEY	7x7x90L	1
45	7G-40210	CUPR GEAR	S45C,M2x18T	1
46	7G-40220	CUPR GEAR	S45C,M2x19T	1
47	7G-40230	CUPR GEAR	S45C,M2x20T	1
48	7G-40240	CUPR GEAR	S45C,M2x22T	1
49	7G-40250	CUPR GEAR	S45C,M2x23T	1
50	7G-40260	CUPR GEAR	S45C,M2x24T	1
51	7G-40270	CUPR GEAR	S45C,M2x26T	1
52	7G-40280	CUPR GEAR	S45C,M2x28T	1
53	7G-40290	CUPR GEAR	S45C,M2x32T	1
54	BB-6003	BALL BEARING	#6003	1
55	7G-40320	SPACE COLLAR	SS41	1

GEAR BOX

REF NO.	PART NO.	PART NAME	SPECIFICATION	USED Q'TY
56	BB-6003	BALL BEARING	#6003	1
57	CS-20	SNAP RING	C type.I.D.20	1
58	7G-40310AB	SUPR GEAR	S45C,M2.25x28T	1
59	7G-40300	SHAFT	SS41	1
60	KP-5518	KEY	5x5x18L	1
61	BB-6003	BALL BEARING	#6003	1
62	7G-40330	HOLE PLUG	SS41	1
63	P-28	"O" RING	P28	1
64	N-16	HEXAGON NUT	M16xP2.0	1
65	WP-16	WASHER	M16	1
66	7G-40490	SPUR GEAR	S45C.M1.75x42T	1
67	KP-5510	KEY	5x5x10L	1
68	7G-40340	SHAFT	S45C	1
69	KP-5528	KEY	5x5x28L	1
70	CS-35	SNAP RING	C type.I.D.35	1
71	7G-40480	SPUR GEAR	S45C,M1.75x49T	1
72	TC-405008	OIL SEAL	40x50x8	1
73	SH-0516	SOCKET HEAD CAP SCREW	M5xP0.8x16L	3
74	7G-40450	SHAFT COVER	FC15	1
75	OB-04	OILER	φ 1/4"	1
76	TC-202804	OIL SEAL	20x28x4	1
77	KP-6610	KEY	6x6x10L	1
78	7G-40360	SOCKET SHAFT	S45C	1
79	KP-6615	KEY	6x6x15L	1
80	CS-20	SNAP RING	C type.I.D.20	1
81	7G-40350	SPUR GEAR	S45C,M2x36T	1
82	CS-35	SNAP RING	C type.I.D.35	1
83	CS-35	SNAP RING	C type.I.D.35	1
84	7G-40370	GUIDE COLLAR	BC2	1
85	SS-0508	SOCKET SET SCREW	M5xP0.8x8L	1
86	7G-40380	FACE FEAR	S45C,M2x17T	1
87	BB-6001	BALL BEARING	#6001	1
88	7G-40390	SPLINE SHAFT	S45C	1
89	BB-6205	BALL BEARING	#6205	1
90	CS-30	SNAP RING	C type.I.D.30	1
91	SH-0516	SOCKET HEAD CAP SCREW	M5xP0.8x16L	2
92	7G-40400	COVER	SS41	1
93	NA-4906	NEEDLE BEARING	na4906	1
94	7G-40600	ROCKING ARM	FC15	1
95	7G-40410	SPUR GEAR	S45C,M2x24T	1
96	BB-6004	BALL BEARING	#6004	1
97	CS-20	SNAP RING	C type.I.D.20	1
98	7G-40420	SPUR GEAR	S45C,M2.25x28T	1
99	PT-0338	TAPER PIN	#3x38	1
100	TC-204208	OIL SEAL	20x42x8	1
101	BB-6004	BALL BEARING	#6004	1
102	PT-0319	TAPER PIN	#3x19	1
103	7G-40430	SHAFT	S45C	1





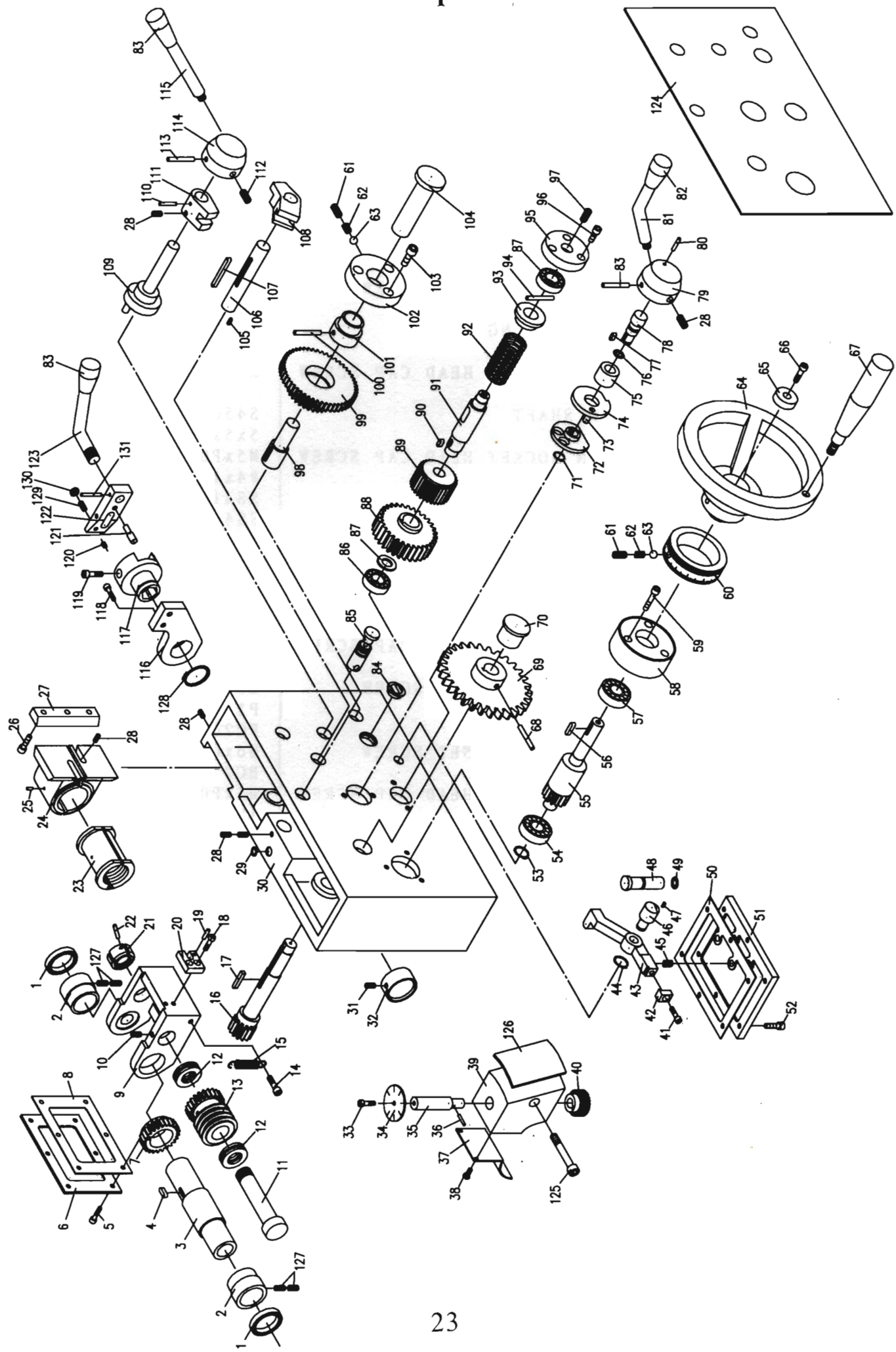
GEAR BOX

REF NO.	PART NO.	PART NAME	SPECIFICATION	USED Q'TY
1	7G-40760	HOLE PLUG	SS41	1
2	7G-40690	DOUBLE HEAD KEY	S45C	3
3	7G-40640	GUIDE BLOCK	BC2	1
4	7G-40650	GUIDE BLOCK	BC2	1
5	7G-40660	GUIDE BLOCK	BC2	1
6	7G-40620	GUIDE SHAFT	3/4"	1
7		"O" RING	P15	2
8	CS-15	SNAP RING	C type. I.D. 15	1
9	7G-40600	ROCKING ARM	FC15	1
10	7G-40470	IDLE GEAR	S45C, M2x20T	1
11	7G-40460	SHAFT	S45C	1
12	SH-0516	SOCKET HEAD CAP SCREW	M5xP0.8x16L	2
13	7G-40610	CHANGING SPEED PIN	S45C	1
14	7G-40590	SLIDE PLATE	SS41	1
15	SH-0516	SOCKET HEAD CAP SCREW	M5xP0.8x16L	4
16	7G-40580	SLIDE WEDGE	SS41	1
17	7G-40520	GEAR SHAFT	S45C, M2x14T	1
18		"O" RING	P12	1
19	7G-40570	RACK	SS41	1
20	7G-40770	COVER	SS41	1
21		SCREW	M3xP0.5	2
22	7G-30560	GUIDE PLATE	SS41	1
23	SH-0510	SOCKET HEAD CAP SCREW	M5xP0.8x10L	2
24	SH-0516	SOCKET HEAD CAP SCREW	M5xP0.8x16L	4
25	7G-40550	SETTING PLATE	SS41	1
26	7G-40670	CHANGE SPEED BLOCK	SS41	3
27	7G-40720	ROCKING ARM	FC15	3
28	7G-40020	GEAR BOX COVER	FC20	1
29		"O" RING	P12	3
30	7G-40680	SHORT SHAFT	SS41	3
31	3A-40360	LEVER	SS41	3
32	3H-40380	HANDLE BOSS	SS41	3
33	B-04	STEEL BALL	φ 1/4	4
34	SC-0608	SPRING	φ 0.8	4
35	SS-0806	SOCKET SET SCREW	M8xP1.25x6L	4
36	PT-0345	TAPER PIN	#3x45	1
37	RG-90	"O" RING	G90	1
38	7G-40540	DOWEL	SS41	1
39	7G-40530	ROCKING ARM	FC15	1
40	SS-0612	SOCKET HEAD CAP SCREW	M6xP1.0x12L	1
41	7G-40790	LEVER	SS41	1
42		"O" RING	G45	1
43	7G-40510	COVER	FC20	1
44	SH-0630	SOCKET HEAD CAP SCREW	M6xP1.0x30L	3
45		SPRING	φ 0.8	1
46	B-05	STEEL BALL	φ 5/16	1
47	7G-40500	SELECTOR	SS41	1
48		ROUND HEAD RIVET		1
49		PIN	φ 4x45L	1
50	7A-40580	KNOB	PLASTIC	2
51		PIN	φ 4x30L	1
52	SH-0620	SOCKET HEAD CAP SCREW	M6xP1.0x20L	8
53		PIN	φ 4x20L	2
54		PIN	φ 4x8L	4
55	7G-40800	PACKING		1

GEAR BOX

REF NO.	PART NO.	PART NAME	SPECIFICATION	USED Q'TY
56		NAME PLATE	AL	1
57		NAME PLATE	AL	1
58		CROSS RECESSED HEAD MACHINE SCREW	M4xP0.7x6L	13
59	SS-0608	SOCKET SET SCREW	M6xP1.0x8L	3

Apron



APRON

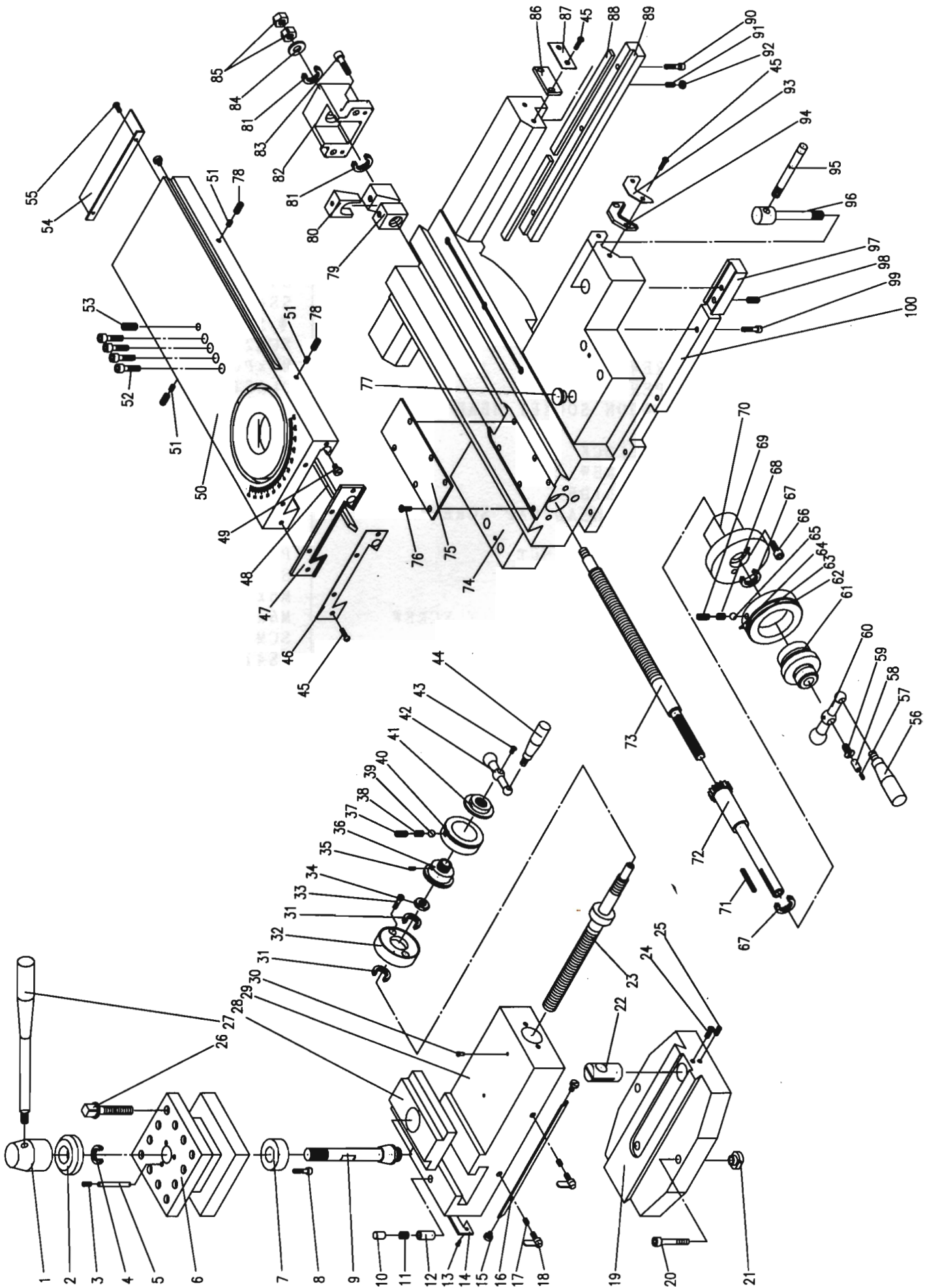
REF NO.	PART NO.	PART NAME	SPECIFICATION	USED Q'TY
1		OIL SEAL	30x40x7	2
2	7A-40620	BUSH	PBC2	2
3	7A-40630	SHAFT	S45C	1
4		KEY	5x5x11L	1
5		HEXAGON SOCKET HEAD CAP SCREW	M5xP0.8x12L	6
6	7A-40030	COVER	SPC	1
7	7A-40650	GEAR	S45C	1
8	18A-40430	PACKING		1
9	7A-30050L, R	WORM BASE	FC15	1
10		HEXAGON SOCKET SET SCREW	M6xP1.0x8L	1
11	5A-40310	SHAFT	SS41	1
12		THRUST BEARING	51103	2
13	5A-40320L	GEAR	S45C	1
14		HEXAGON SOCKET HEAD CAP SCREW	M6xP1.0x12L	1
15		SPRING		1
16	7A-40200	PINION SHAFT	S45C	1
17		KEY	5x5x18L	1
18		HEXAGON SOCKET HEAD CAP SCREW	M5xP0.8x12L	2
19		PIN	#4x15L	1
20	7A-40060	PILOT BLOCK	SS41	1
21	5A-40710	NUT	SS41	1
22		PIN	#3x38L	1
23	18A-40350I	HALF NUT	BC2	1
	18A-40350M	HALF NUT	BC2	1
24	18A-30340	HALF NUT SUPPORT	FC20	1
25		SCREW	M6xP1.0x12L	2
26		HEXAGON SOCKET HEAD CAP SCREW	M5xP0.8x12L	3
27	7A-40240	GIB	FC15	1
28		HEXAGON SOCKET SET SCREW	M6xP1.0x12L	9
29		O RING	P11	1
30	18A-20010L, M	CASE	FC20	1
31		HEXAGON SOCKET SET SCREW	M6xP1.0x8L	1
32	18A-40400	BUSHING	BC2	1
33		HEXAGON SOCKET HEAD CAP SCREW	M5xP0.8x8L	1
34	7A-40320	INDICATE DISK	AL	1
35	7A-40330	SHAFT	SS41	1
36		PIN	#3x12L	1
37	7A-40600	COVER	SS41	1
38		SCREW	M5xP0.8x12L	2
39	7A-30310	INDICATE SET	FC15	1
40	7A-40340I	PUMP BASE	PBB2	1
	7A-40340M	PUMP BASE	PBB2	1
41		HEXAGON SOCKET HEAD CAP SCREW	M5xP0.8x12L	1
42	5A-40450	LOCKING BLOCK	S45C	1
43	7A-40290L, R	LOCKING ARM	FC15	1
44		SNAP RING	E10	1
45	7A-40610	SPRING	SWP	1
46	7A-40280	SHAFT	S20C	1
47		HEXAGON SOCKET SET SCREW	M6xP1.0x8L	1
48	18A-40300	SHAFT	SS41	1
49		"O" RING	P11	1
50	18A-40430	PACKING		1
51	7A-40020	COVER	FC15	1
52		HEXAGON SOCKET HEAD CAP SCREW	M5xP0.8x12L	6
53		SNAP RING	A17	1

REF NO.	PART NO.	PART NAME	SPECIFICATION	USED Q'TY
54		BEARING	6003	1
55	7A-40220	SHAFT	S45C	1
56		KEY	5x5x28L	1
57		BEARING	6005-2RS	1
58	7A-40360	SHAFT COLLAR	FC20	1
59		HEXAGON SOCKET HEAD CAP SCREW	M5xP0.8x35L	3
60	7A-40430I	INDEX RING	SS41	1
	7A-40430M	INDEX RING	SS41	1
61		HEXAGON SOCKET SET SCREW	M8xP1.25x6L	2
62		SPRING	φ 1/4"	2
63		STEEL BALL	FC20	2
64	7A-30380	HANDLE WHEEL	FC15	1
65	5A-40700	WASHER	SS41	1
66		HEXAGON SOCKET HEAD CAP SCREW	M6xP1.0x12L	1
67	7A-40410	HANDLE	SS41	1
68		PIN	#3x32L	1
69	7A-40210	GEAR	S45C	1
70		COVER	BC2	1
71		SNAP RING	A10	1
72	7A-40090	MOVING PLATE	S45C	1
73	7A-40110	PIN	SS41	1
74	7A-40100	LOCKING PLATE	S45C	1
75	7A-40080	BUSHING	SS41	1
76		"O" RING	P11	1
77		KEY	5x5x11L	1
78	7A-40070	SHAFT	S45C	1
79	7A-40570	HANDLE BOSS	S20C-D	1
80		PIN	#4x20L	1
81	7A-40590	LEVER ROD	SS41	1
82	7A-40580	PLASTIC KNOB	PLASTIC	3
83		PIN	#3x39L	1
84		OIL WINOWS	φ 29	1
85	7A-40480	OIL PUMP	S45C	1
86		BEARING	6002-2RS	2
87	7A-40440	WASHER	SS41	1
88	7A-40130	WORM WHEEL	PBC2	1
89	7A-40140	SPUR GEAR	S45C	1
90		KEY	5x5x15L	1
91	7A-40120	SHAFT	S45C	1
92	5A-40690	SPRING	φ 34.5	1
93		WASHER	SS41	1
94	5A-40220	KEY	SS41	1
95	7A-40150	COVER	SS41	1
96		HEXAGON SOCKET HEAD CAP SCREW	M5xP0.8x12L	3
97		HEXAGON SOCKET SET SCREW	M8xP1.25x25L	1
98	5A-40130	SHAFT	S45C	1
99	7A-40170	GEAR	S45C	1
100		PIN	#3x39L	1
101	7A-40180	BUSHING	SS41	1
102	7A-40190	COVER	SS41	1
103		HEXAGON SOCKET HEAD CAP SCREW	M5xP0.8x12L	3
104	7A-40160	SHAFT	SS41	1
105		HEXAGON SOCKET SET SCREW	M6xP1.0x8L	1
106	7A-40250	SHAFT	SS41	1
107		KEY	5x5x50L	1

APRON

REF NO.	PART NO.	PART NAME	SPECIFICATION	USED Q'TY
108	7A-40260L,R	SHAFT KEY	FC15	1
109	7A-40230	SHAFT	SS41	1
110		PIN	#3x32L	1
111	7A-40270	SHAFT BLOCK	FC15	1
112		HEXAGON SOCKET SET SCREW	M8xP1.25x16L	1
113		PIN	#3x39L	1
114	7A-40540	HANDLE BOSS	S20C	1
115	5A-40540	LEVER	SS41	1
116	5A-40510	BRACKET	FC37	1
117	9A-40820	STARING BRACKET	SS41	1
118		HEXAGON SOCKET HEAD CAP SCREW	M6xP1.0x16L	2
119	5A-40610	SCREW	SS41	2
120	5A-40690	SPRING	φ 0.8x25L	1
121	5A-40600	PIN	S20C	1
122	9A-40830	STARTER, ROCKER ARM	SS41	1
123	9B-40510	LEVER	SS41	1
124		NAME PLATE L,M	AL	1
125		HEXAGON SOCKET HEAD CAP SCREW	M10xP1.5x65L	1
126		NAME PLATE	AL	1
127		HEXAGON SOCKET SET SCREW	M8xP1.25x20L	4
128		SNAP RING	S30	1
129	SS-0620	HEXAGON SOCKET SET SCREW	M6xP1.0x20L	1
130		NUT	M6	1
131		PIN	φ 4x30L	1

Carriage and Tool Slide



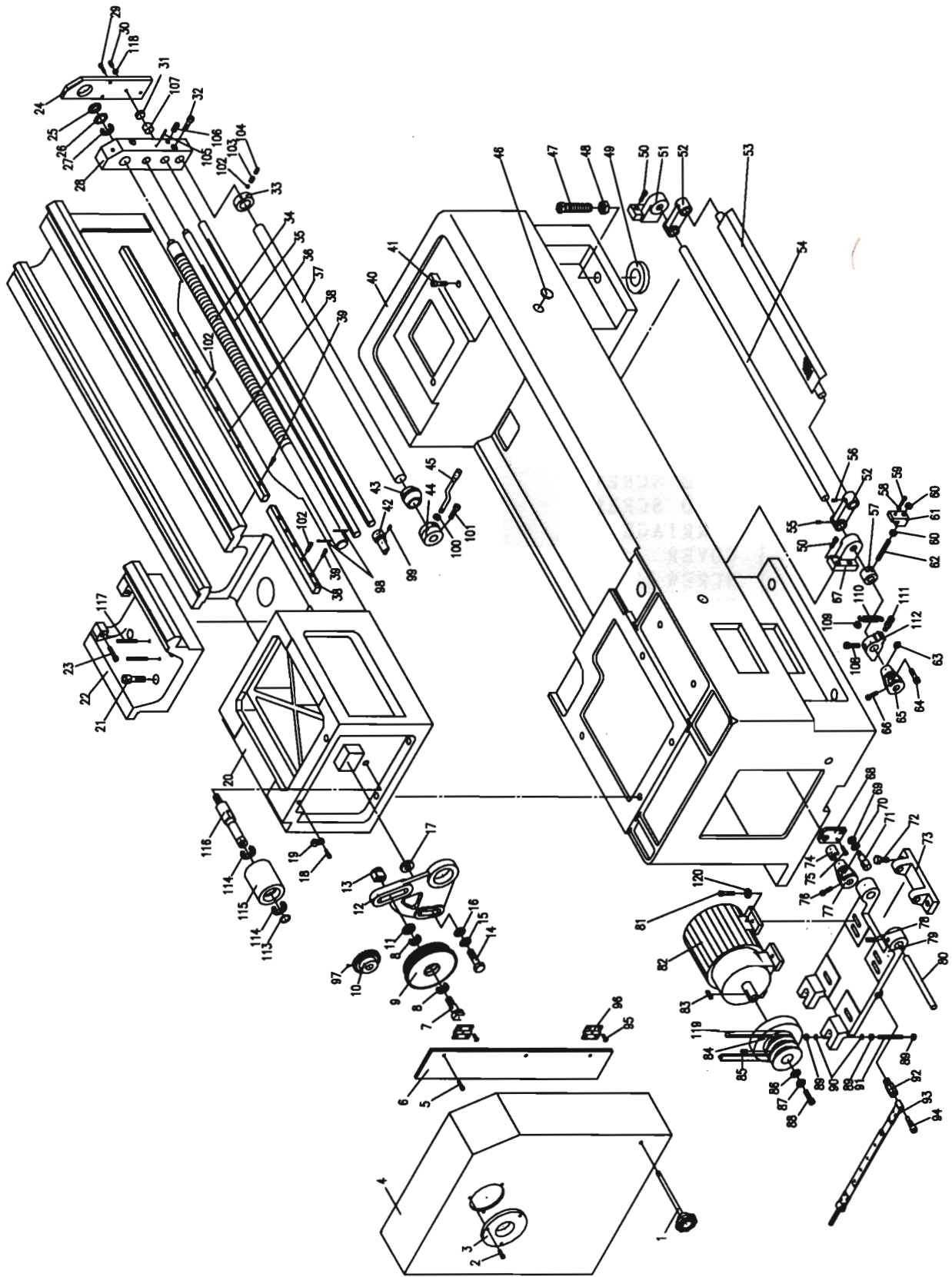
CARRIAGE AND TOOL SLIDE

REF NO.	PART NO.	PART NAME	SPECIFICATION	USED Q'TY
1	7S-40360	HANDLE BOSS	S20C-D	1
2	7S-40370	WASHER	S20C-D	1
3		HEXAGON SOCKET SET SCREW	M6xP1.0x12L	1
4		THRUST BEARING	51104	1
5	7S-40770	PIN	SS41	1
6	7S-40260	TURRET TOOL POST	S45C	1
7	7S-40650	SLEEVE	S45C	1
8	SH-0816	SOCKET HEAD CAP SCREW	M8xP1.25x16L	3
9	7S-40250	CLAMPING BOLT	S45C	1
10		PIN	SS41	1
11		SPRING	φ 5/16	1
12	7S-40480	PIN	SCM21	1
13		SCREW	M5xP0.8x8L	4
14		WIPER	PLASTIC	1
15	7S-40500	HEXAGON SOCKET HEAD CAP SCREW	SS41	1
16	7S-40050	GIB	FC20	1
17	7S-40520	SET BLOCK	PUB2	2
18	7S-40510	SET SCREW	S20C-D	2
19	7S-40030	TOOL SLIDE	FC25	1
20	SH-1025	SOCKET HEAD CAP SCREW	M10xP1.5x25L	2
21	7S-40060	NUT	SS41	3
22	7S-40170	LEAD SCREW NUT	PUC 2	1
23	7S-40160	LEAD SCREW	S45C	1
24		NUT	M6xP1.0	1
25	BS-51105	HEXAGON SOCKET SET SCREW	M6xP1.0x20L	1
26	7S-40270	LOCATING SCREW	SCM4	12
27	7S-40380	LEVER	SS41	1
28	7S-40300	LOCKING BLOCK	FC15	1
29	7S-40040	SLIDING TABLE	FC20	1
30		OILER	φ 1/4"	2
31		THRUST BEARING	51102	2
32	7S-40190	BRACKET	SS41	1
33		HEXAGON SOCKET HEAD CAP SCREW	M8xP1.25x20L	2
34	7S-40580	NUT	S20C-D	1
35		HEXAGON SOCKET SET SCREW	M6xP1.0x16L	1
36	7S-40180	INDEX RING BASE	SS41	1
37		HEXAGON SOCKET SET SCREW	M8xP1.25x8L	1
38		SPRING	φ 6x φ 0.8x15L	1
39		STEEL BALL	φ 1/4"	1
40	7S-40200	INDEX RING	SS41	1
41	7S-40720	NUT	SS41	1
42	7S-40700	LEVER	SS41	1
43		HEXAGON SOCKET HEAD CAP SCREW	M8xP1.25x20L	1
44	7S-40780	HANDLE	SS41	1
45		SCREW	M5xP0.8x8L	16
46	7S-40570	COVER	STAINLESS STEEL	2
47	7S-40400	WIPER	PLASTIC	2
48	18S-40150	GIB	FC20	1
49	7S-40420	ADJUSTING SCREW	SS41	2
50	18S-30020	COVER	FC25	1
51	7S-40520	SET BLOCK	PUB2	1
52		HEXAGON SOCKET HEAD CAP SCREW	M8xP1.25x20L	4
53		HEXAGON SOCKET SET SCREW	M10xP1.5x10L	1
54	7S-40790	COVER	SS41	1
55		SCREW	M5xP0.8x12L	2

CARRIAGE AND TOOL SLIDE

REF NO.	PART NO.	PART NAME	SPECIFICATION	USED Q'TY
56	7S-40460	HANDLE	SS41	1
57		HEXAGON SOCKET SET SCREW	M6xP1.0x25L	1
58	7S-40670	PIN	SS41	1
59	7S-40120	SCREW	SS41	1
60	7S-40110	LEVER	S20C	1
61	7S-40130	INDEX RING BASE	SS41	1
62	7S-40100I	INDEXRING	SS41	1
	7S-40100M	INDEXRING	SS41	1
63		STEEL BALL	φ 1/4"	2
64		NAME PLATE	AL	1
65		ROUND HEAD RIVET		2
66		HEXAGON SOCKET HEAD CAP SCREW	M8xP1.25x90L	2
67		THRUST BEARING	51103	2
68		SPRING	φ 6x φ 0.8x15L	2
69		HEXAGON SOCKET SET SCREW	M8xP1.25x6L	2
70	18S-40090	BRACKET	FC15	1
71		KEY	4x4x45L	1
72	18S-40080	SHAFT	SS41	1
73	18S-30070I	LEAD SCREW	S45C	1
	18S-30070M	LEAD SCREW	S45C	1
74	18S-30010	CARRIAGE	FC25	1
75	7S-40430	COVER	SS41	1
76		SCREW	M4xP0.7x6L	6
77		PLUG	φ 3/4"	1
78		HEXAGON SOCKET SET SCREW	M8xP1.25x25L	2
79	7S-40220	LEAD SCREW NUT	PBC2	1
80	18S-40640	ADJUSTMENT BOLK	PBC2	1
81		THRUST BEARING	51102	2
82	18S-40140	BRACKET	FC15	1
83		HEXAGON SOCKET HEAD CAP SCREW	M8xP1.25x20L	2
84		WASHER	φ 12	1
85		NUT	M12	2
86	7S-40340	WIPER	PLASTIC	2
87	7S-40540	COVER	STAINLESS STEEL	2
88	7S-40320	GIB	SS41	2
89	7S-40310	ADJUSTMENT GIB	FC20	1
90		HEXAGON SOCKET HEAD CAP SCREW	M8xP1.25x20L	5
91		HEXAGON SOCKET HEAD CAP SCREW	M6xP1.25x18L	4
92		NUT	M6	4
93	7S-40530	COVER	STAINLESS STEEL	2
94	7S-40330	WIPER	PLASTIC	2
95	7S-40730	LEVER	SS41	1
96	7S-40740	HEXAGON BOLT	SS41	1
97	7S-40290	LOCK PLATE	SS41	1
98		HEXAGON SOCKET SET SCREW	M8xP1.25x30L	1
99		HEXAGON SOCKET HEAD CAP SCREW	M8xP1.25x20L	4
100	7S-40280	LOCK PLATE	FC15	1
101		HEXAGON SOCKET SET SCREW	M8xP1.25x20L	2
102	SH-1035	HEXAGON SOCKET HEAD CAP SCREW	M10xP1.5x35L	1
103	7S-40550	NAME PLATE	AL	2
104	SH-1055	HEXAGON SOCKET HEAD CAP SCREW	M10xP1.5x55L	4
105	PT-0364	TAPER PIN	#3x64L	2

Brake Mechanism



BRAKE MECHANISM

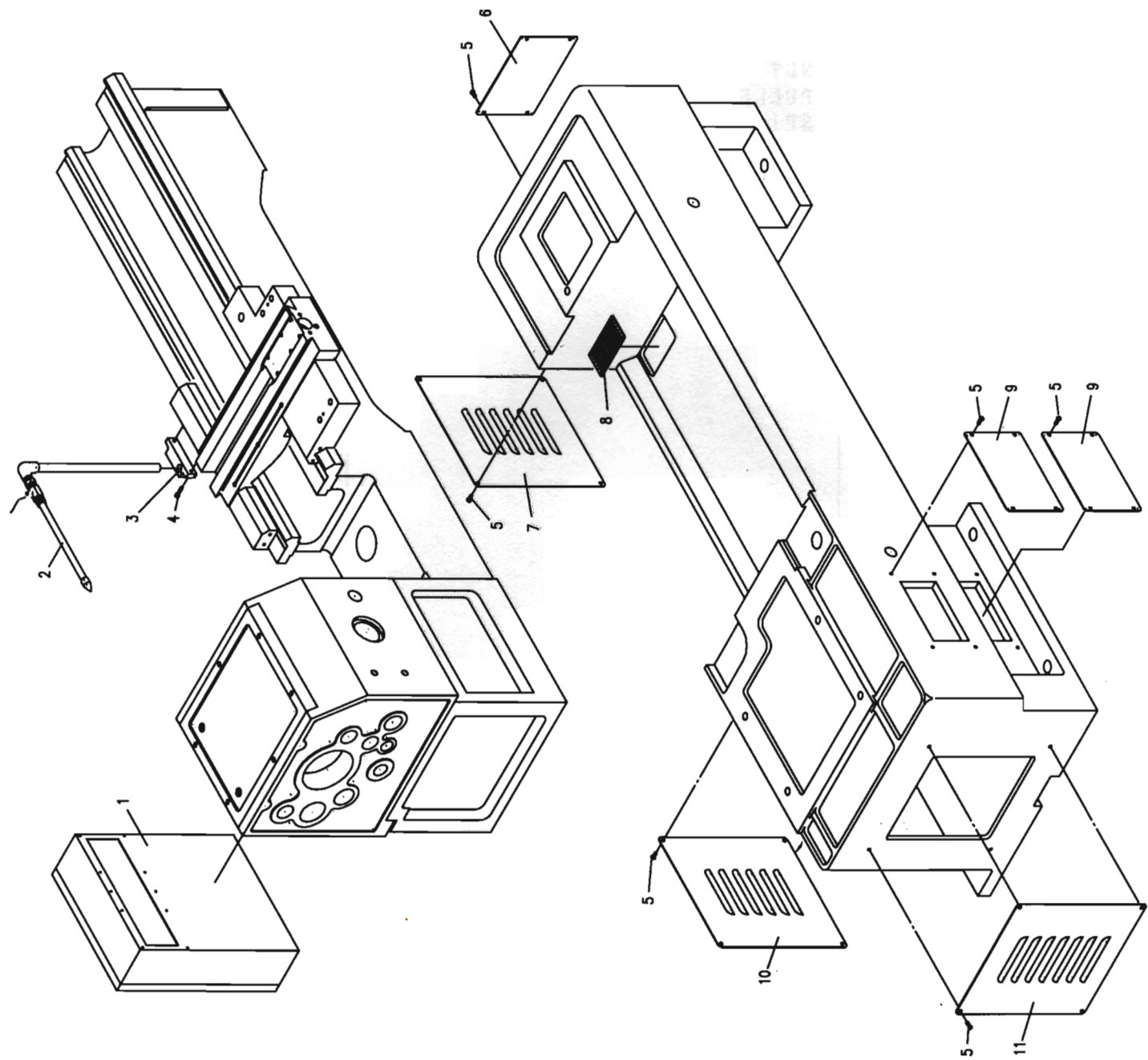
REF NO.	PART NO.	PART NAME	SPECIFICATION	USED Q'TY
1	7B-40220	LOCATING ROD	SS41	1
2		HEXAGON SOCKET HEAD CAP SCREW	M6xP1.0x12L	3
3	7B-40330	COVER	SS41	1
4	7B-20170	COVER	AL	1
5		HEXAGON SOCKET HEAD CAP SCREW	M6xP1.0x20L	3
6	7B-40180	SIDE PLATE	SS41	1
7	7B-40140	SHAFT	SS41	1
8		BALL BEARING	6004	2
9	7B-30120	GEAR	FC15 120Tx127T	1
10	7B-40440	GEAR	S45C, 28T	1
11	7B-40150	WASHER	SS41	1
12	7B-40160	QUADRANT BRACKET	FC15	1
13	7B-40130	SLIDING BLOCK	SS41	1
14		HEX. CAP SCREW	M16xP2.0x50L	1
15		SPRING WASHER	φ 16	1
16		WASHER	φ 16	1
17	7B-40470	WASHER	SS41	1
18		HEXAGON SOCKET HEAD CAP SCREW	3/16W24x3/8L	1
19		CABLE CLAMPS	SS41	1
20	7B-30010	BED	FC25	1
21		HEXAGON SOCKET HEAD CAP SCREW	M12xP1.5x60L	4
22	7B-40720	GAP	FC25	1
23		HEXAGON SOCKET HEAD CAP SCREW	M8xP1.25x55L	2
24	7B-30200	BRACKET, COVER	Plastic	1
25		NUT	S45C	1
26		WASHER	SPC	1
27		THRUST BEARING	51105	1
28	7B-30190	BRACKET	FC15	1
29		HEXAGON SOCKET HEAD CAP SCREW	M6xP1.0x12L	4
30		HEXAGON SOCKET SET SCREW	M8xP1.25x16L	1
31	7B-40280	ADJUSTING BLOCK	SS41	1
32		HEXAGON SOCKET HEAD CAP SCREW	M10xP1.5x80L	2
33	7B-41290	SHAFT COLLAR	SS41	1
34	7B-40040	LEAD SCREW	SS41	1
35	7B-40050	FEED ROD	SS41	1
36	7B-40060	STARTING ROD	SS41	1
37	7B-40260	STOPER ROD	SS41	1
38	7B-40030	RACK 180L-802L-1117L	SS41	1
39		HEXAGON SOCKET HEAD CAP SCREW	M6xP1.0x25L	8
40	7B-10020	END PLINTE	FC25	1
41		HEXAGON SOCKET HEAD CAP SCREW	M10xP1.5x80L	3
42	7B-40460	SHAFT	Plastic	1
43	7B-40070	POSITION COLLAR	Plastic	4
44	7B-41080	GRADUATE COLLAR	SS41	1
45	7B-41490	LEVER	SS41	1
46	7B-40790	COVER	SPC	4
47	7B-40950	FOUNDATION BOLT	SS41	6
48	7B-41270	NUT	SS41	6
49	7B-41240	BASE BLOCK	SS41	6
50		HEXAGON SOCKET HEAD CAP SCREW	M8xP1.25x20L	4
51	7B-41160-1	BRACKET	FC15	1
52	7B-41170	BRAKT ARM	FC15	2
53	7B-40300	PEDAL	SS41	1
54	7B-40310	SHAFT	SS41	1
55		HEXAGON SOCKET SET SCREW	M8xP1.25x16L	2

BRAKE MECHANISM

REF NO.	PART NO.	PART NAME	SPECIFICATION	USED Q'TY
56		HEXAGON SOCKET SET SCREW	M8xP1.25x12L	2
57	7B-41570	COLLER	SS41	1
58		WASHER	φ 6	1
59		HEXAGON SOCKET HEAD CAP SCREW	M6xP1.0x25L	1
60		NUT	M10	2
61	7B-41560	BASE	FC20	1
62	7B-41580	BLOT	SS41	1
63		NUT	M10	2
64		HEXAGON SOCKET HEAD CAP SCREW	M10xP1.5x80L	1
65	7B-40360CA	BRACK ARM	FC15	1
66		HEXAGON SOCKET HEAD CAP SCREW	M8xP1.25x30L	1
67	7B-41160-2	BRACKET	FC15	1
68	7B-41260	BRACKET	FC15	1
69		NUT	M10	1
70		WASHER	φ 10	1
71	7B-40370	SHAFT	SS41	1
72		HEX. CAP SCREW	M10xP1.5x35L	3
73	7B-41190	SUPPORT BASE	FC15	1
74	7B-41300	COLLER	SS41	1
75		HEXAGON SOCKET HEAD CAP SCREW	M6xP1.0x20L	2
76		HEXAGON SOCKET HEAD CAP SCREW	M8xP1.25x25L	1
77	7B-40360	BRACK ARM	FC15	1
78		HEXAGON SOCKET HEAD CAP SCREW	M10xP1.5x10L	1
79	7B-30270	MOTOR BASE	FC15	1
80	7B-41130	SHAFT	SS41	1
81		HEXAGON SOCKET HEAD CAP SCREW	M10xP1.5x50L	4
82		MOTOR	5HP / 7-1/2HP	1
83		KEY	6x6x20L	1
84	7B-40320	MOTOR PULLY	FC15	1
85		HEXAGON SOCKET SET SCREW	M8xP1.25x12L	1
86	7B-40820	WASHER	SS41	1
87		SPRING WASHER	φ 16	1
88		HEXAGON SOCKET HEAD CAP SCREW	M10xP1.5x50L	1
89		NUT	M16	6
90		WASHER	φ 16	4
91	7B-41120	BLOT	SS41	2
92	7B-40340	BLOT	SS41	1
93	7B-30350	BRAKE BAND	5HP / 7-1/2HP	1
94		HEXAGON SOCKET HEAD CAP SCREW	M10xP1.5x40L	1
95		FLAT HEAD SCREW	3/16"	8
96		DOOR CURTAI	SS41	2
97		PIN	φ 3X10L	1
98		TAPER PIN	φ 3x45L	2
99		HEXAGON SOCKET SET SCREW	M6xP1.0x10L	1
100		NUT	M10	1
101		HEXAGON SOCKET HEAD CAP SCREW	M10xP1.5x20L	1
102		STEEL BALL	3/16"	1
103		PIN	φ 5x30L	7
104		HEXAGON SOCKET SET SCREW	M8xP1.25x16L	1
105		PIN	φ 4x90L	1
106		HEXAGON SOCKET SET SCREW	M12xP1.75	1
107	7B-41010	BUSHING	BC2	1
108		HEXAGON SOCKET HEAD CAP SCREW	M10xP1.5x80L	1
109		NUT	M10	1
110	7B-41320	SPRING 1740Gx265L 1760Gx235L 1780Gx235L	O.D.1#xwire3/8	1

BRAKE MECHANISM

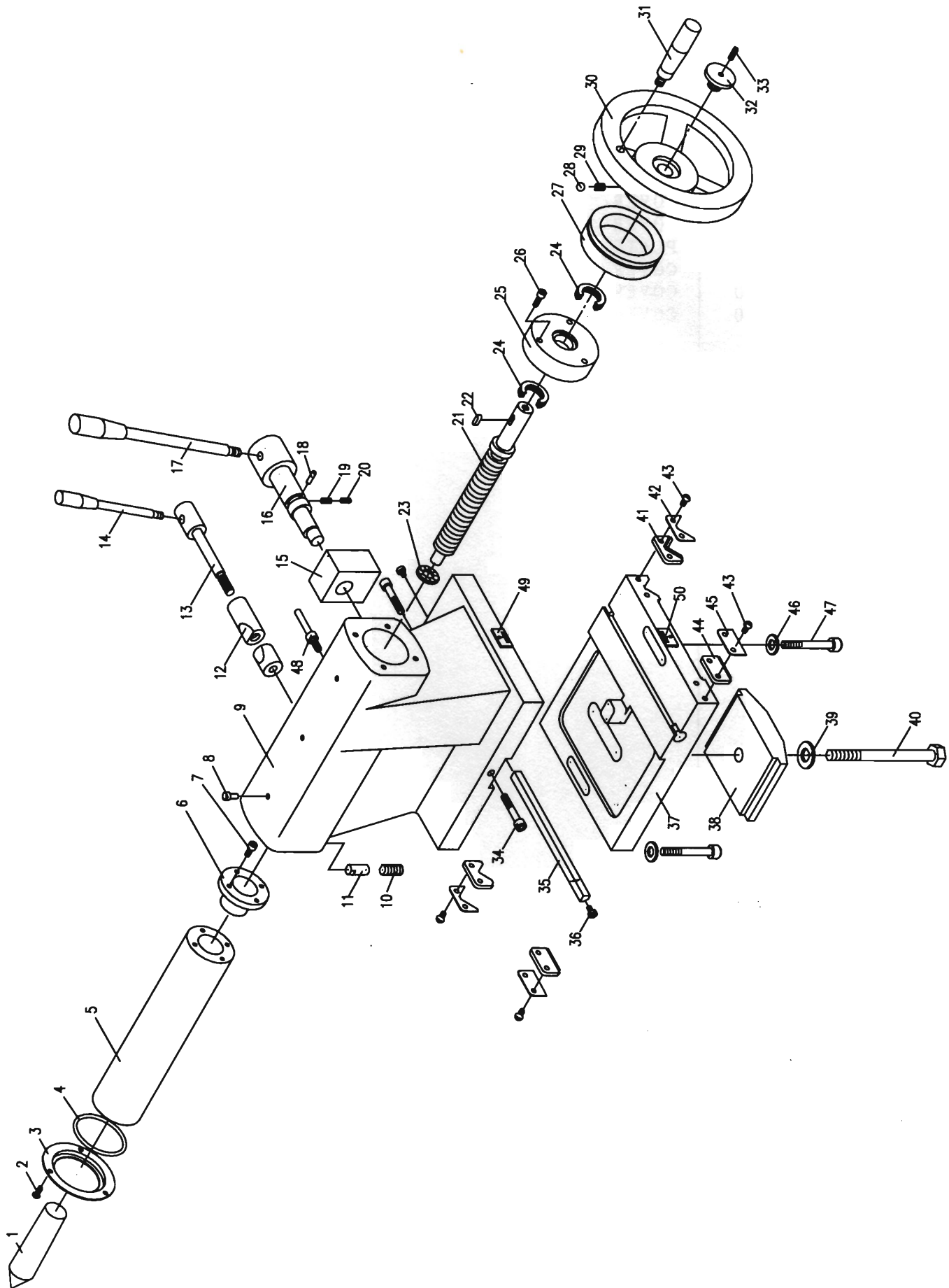
REF NO.	PART NO.	PART NAME	SPECIFICATION	USED Q'TY
111	7B-40390	SPRING ROD	SS41	1
112	7B-40380	ROCKER ARM	FC15	1
113	S-25	RETAINING RING	S25	1
114	BB-6005	BEARING	6005ZZ	2
115	9H-41220	WHEEL	FC20	1
116	9H-41200	SHAFT	S45C	1
117		PIN	φ 7x83L	2
118		NUT	M10	1
119		PULLEY		3
120		SPRING WASHER	M10	4



BRAKE MECHANISM

REF NO.	PART NO.	PART NAME	SPECIFICATION	USED Q'TY
1	7B-30940	BOX	S.P.C	1
2	7B-40760	PIPE ASSEMBLY		1
3	7B-40610	BRACKET	SS41	1
4		HEXAGON SOCKET HEAD CAP SCREW	M6xP1.0x16L	2
5		SCREW	M6xP1.0x12L	24
6	7B-41200	COVER	S.P.C	1
7	7B-41220	COVER	S.P.C	2
8	7B-41230	PLATE	S.P.C	1
9	7B-41180	COVER	S.P.C	2
10	7B-40430	COVER	S.P.C	1
11	7B-41210	COVER	S.P.C	1

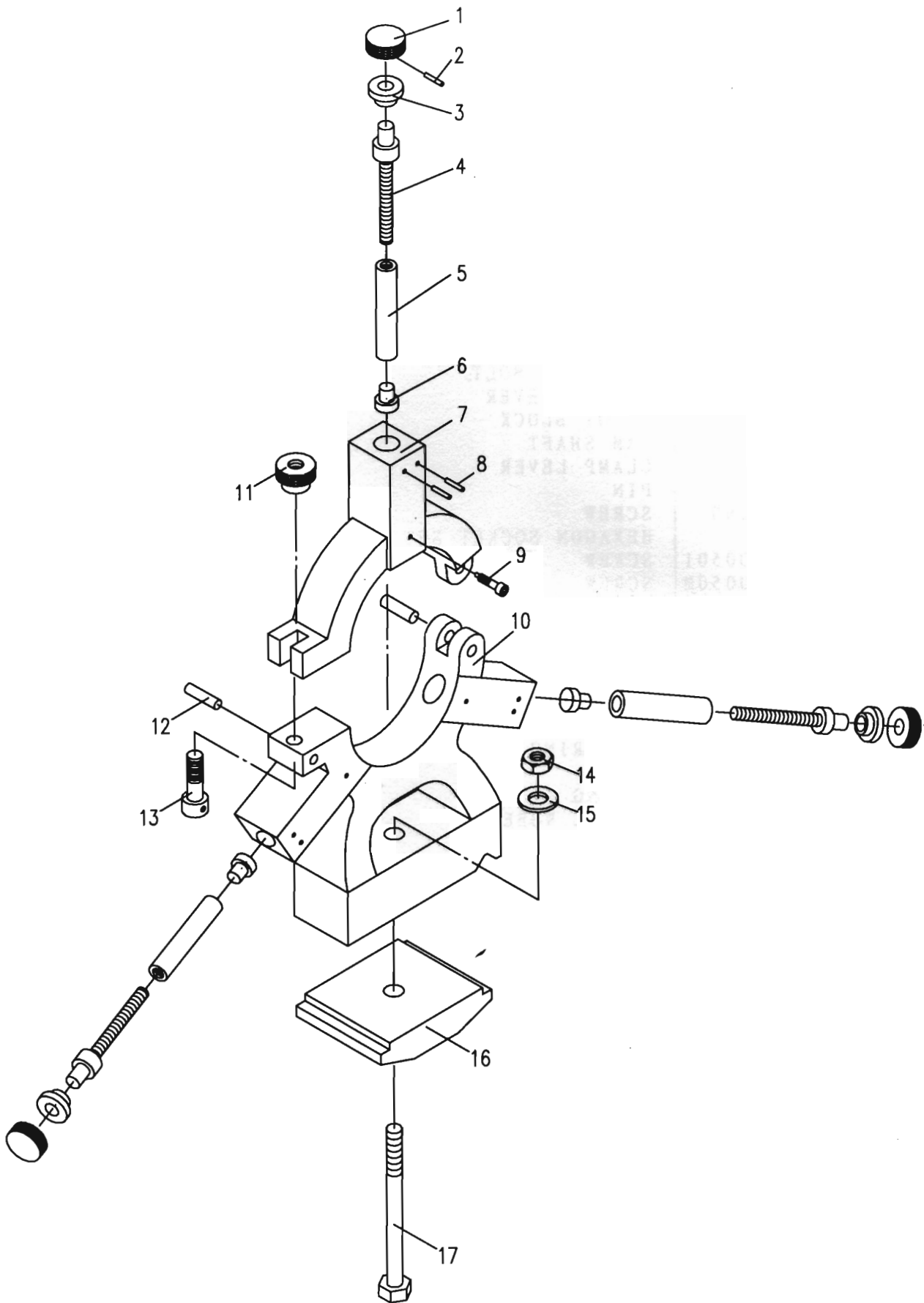
Tailstock



TAILSTOCK

REF NO.	PART NO.	PART NAME	SPECIFICATION	US Q'
1		CENTER	MT 4#	1
2		CROSS RECESSED HEAD MACHINE SCREW	M5xP0.8x10L	3
3	7T-40200	COVER	SS41	1
4		"O" RING	P58	1
5	7T-40030	BARREL	S45C	1
6	18T-40040I	INDEXRING	SS41	1
	18T-40040M	INDEXRING	SS41	1
7		HEXAGON SOCKET HEAD CAP SCREW	M6xP1.0x12L	4
8		OILERS	1/4	3
9	18T-10010	TAILSTOCK CASTING	FC25	1
10		HEXAGON SOCKET SET SCREW	M14x14L	1
11	7T-40100	KEY	SS41	1
12	7T-40220	LOCATING NUT	FC15	1
13	7T-40110	LOCATING BOLT	SS41	1
14	7T-40120	BARREL LEVER	SS41	1
15	7T-40130	PIVOT BLOCK	SS41	1
16	7T-40140	CAM SHAFT	S45C	1
17	7T-40170	CLAMP LEVER	SS41	1
18	7T-40150-1	PIN	SS41	1
19	7T-40160	SCREW	M10xP1.0x8L	1
20		HEXAGON SOCKET SET SCREW	M10xP1.0x8L	1
21	18T-40050I	SCREW	S45C	1
	18T-40050M	SCREW	S45C	1
22		KEY	6x6x15	1
23	7T-40230	WASHER	SS41	1
24		THRUST BEARING	51105	2
25	7T-40060	FLANGE	FC20	1
26		HEXAGON SOCKET HEAD CAP SCREW	M6xP1.0x14L	4
27	18T-40070I	INDEXRING	SS41	1
	18T-40070M	INDEXRING	SS41	1
28		BALL	φ 1/4	3
29		SPRING	6x0.8x10L	3
30	7T-30080	HANDLE WHEEL	FC20	1
31	7A-40410	HANDLE	SS41	1
32	7T-40090	SCREW	SS41	1
33		HEXAGON SOCKET SET SCREW	M8xP1.25x25L	1
34		HEXAGON SOCKET HEAD CAP SCREW	M10x1.5x50L	2
35	7T-40190	GIB	FC20	1
36	7T-40210	ADJUSTING SCREW	SS41	2
37	18T-30020	BASE	FC25	1
38	7T-40240	CLAMP PLATE	FC20	1
39	7T-40250	WASHER	SS41	1
40		BOLT	M16xP2.0x90L	1
41	7T-40260	WIPER	RUBBER	2
42	7T-40270	WIPER COVER	STAINLESS STEEL	2
43		CROSS RECESSED HEAD MACHINE SCREW	M5xP0.8x10L	8
44	7T-40280	WIPER	RUBBER	2
45	7T-40290	WIPER COVER	STAINLESS STEEL	2
46		WASHER	φ 10	2
47		BOLT	M10xP1.5x50L	2
48	7T-40150-2	BOLT	M10	1
49	7TI	NAME PLATE	AL	1
50	7TM	NAME PLATE	AL	1

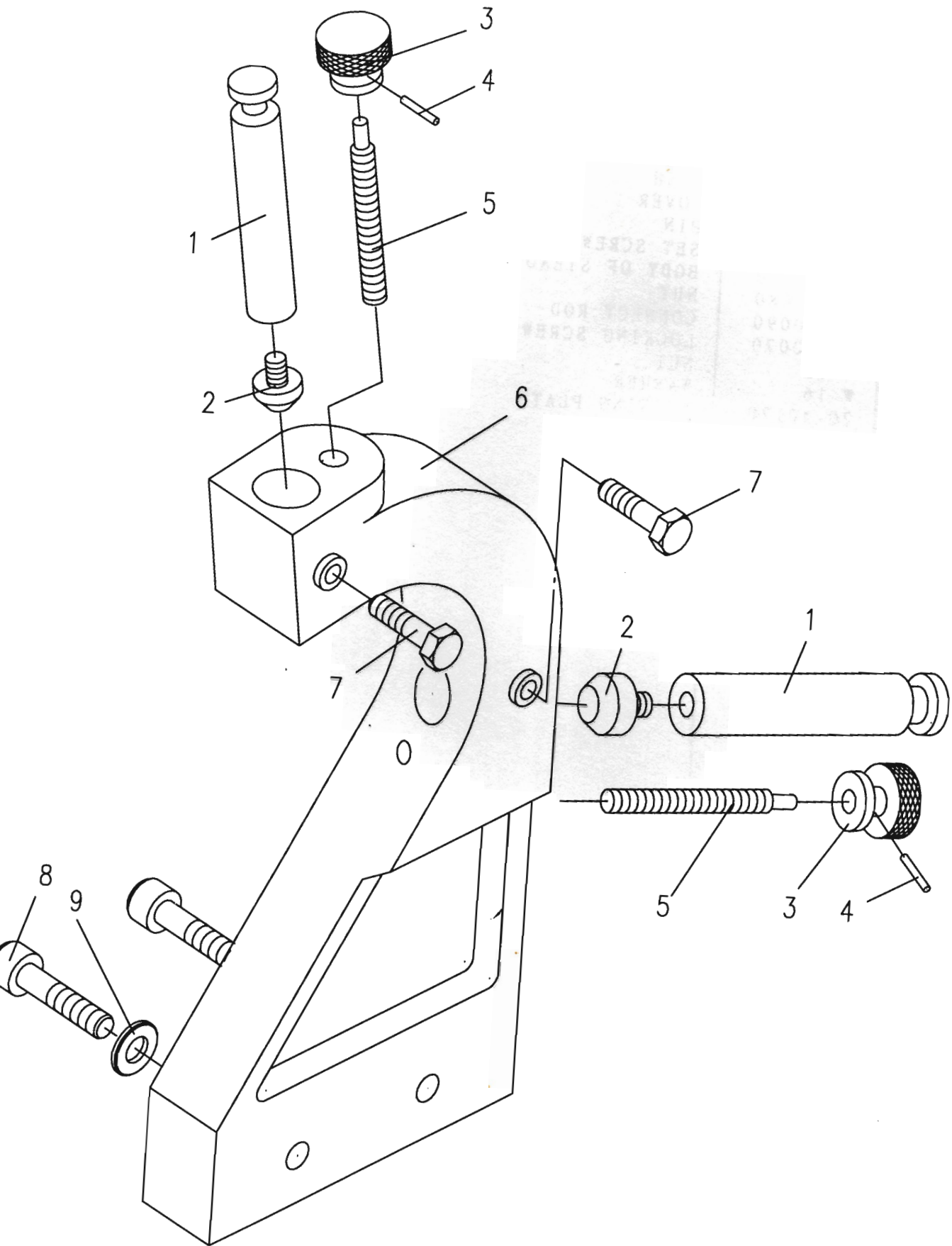
Steady Rest



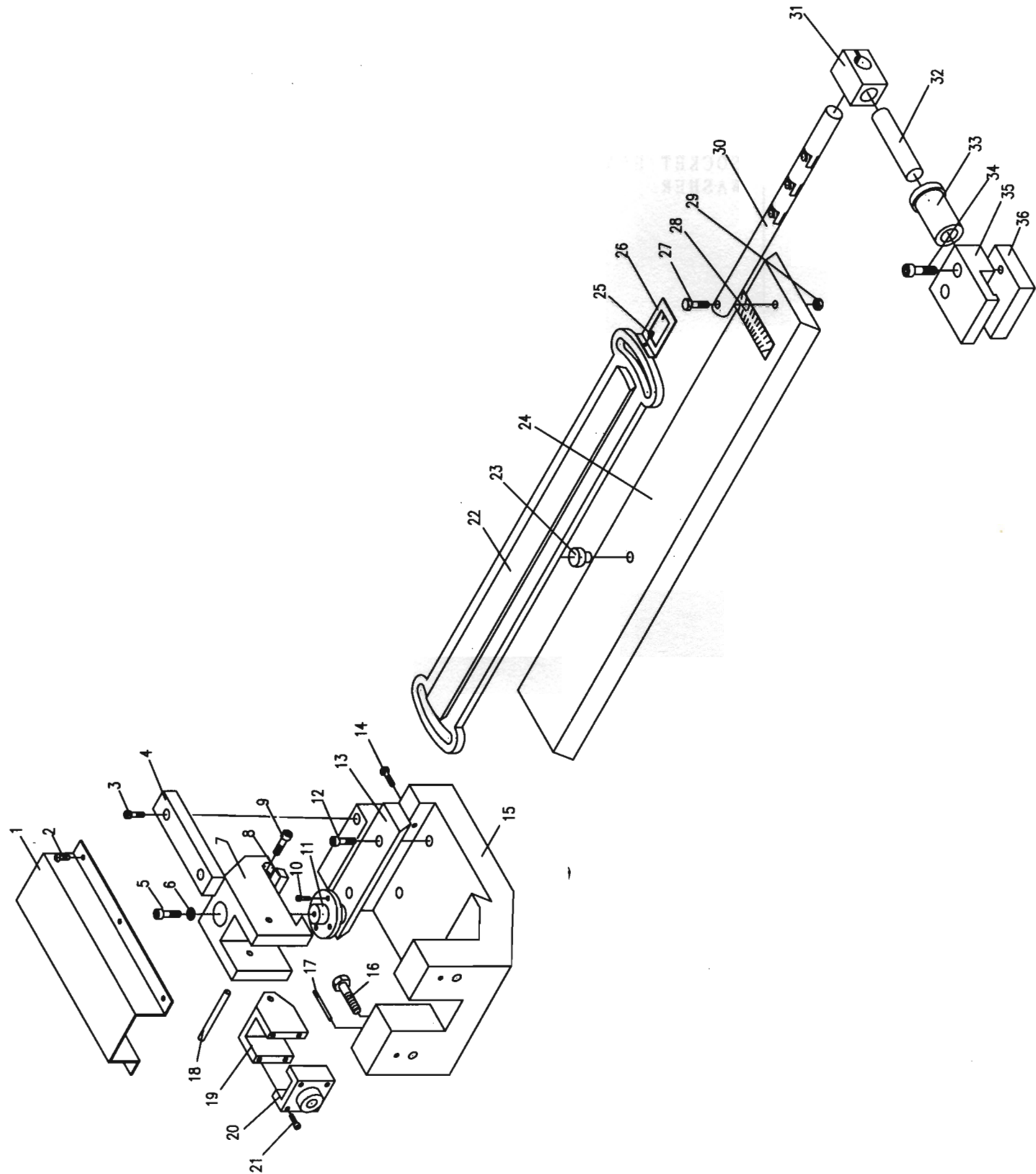
STEADY REST

REF NO.	PART NO.	PART NAME	SPECIFICATION	USED Q'TY
1	7C-40060	ADJUSTMENT WHEEL	S20C-D	3
2	P-04	PIN	#4	3
3	7C-40130	COVER	S20C-D	3
4	7C-40050	ADJUSTMENT SCREW	SS41	3
5	7C-40030	SHAFT	S20C-D	3
6	7C-40040	BUSH	BC2	3
7	7C-30020	COVER	FC15	1
8	P-04	PIN	#4	6
9	SS-1012	SET SCREW	M10xP1.5x12L	3
10	7C-30010	BODY OF STEADY REST	FC15	1
11	7C-40080	NUT	S20C-D	1
12	7C-40090	CONNECT ROD	S20C-D	2
13	7C-40070	LOCKING SCREW	S20C-D	1
14	N-16	NUT	M16xP2.0	1
15	W-16	WASHER	#16	1
16	7C-40120	LOCKING PLATE	FC15	1
17	SH-16	SCREW	M16xP2.0	1

Follow Rest



Taper Turning Attachment



TAPER TURNING ATTACHMENT

REF NO.	PART NO.	PART NAME	SPECIFICATION	USED Q'TY
1	TA-40220	COVER	SS41	1
2	MS-0508	MACHINE SCREW	M5xP0.8x8L	6
3	SH-0816	SOCKET HEAD CAP SCREW	M8xP1.25x16L	4
4	TA-40090	COMPRESS PLATE	FC15	2
5	SH-0612	SOCKET HEAD CAP SCREW	M6xP1.0x12L	1
6	TA-40250	WASHER	SS41	1
7	TA-40050	BRACKET	FC20	1
8	TA-40100	GIB	FC15	1
9	7S-40500	ADJUSTING BOLT	SS41	1
10	SH-0512	SOCKET HEAD CAP SCREW	M5xP0.8x12L	3
11	TA-40170	SHAFT	SS41	1
12	SH-0520	SOCKET HEAD CAP SCREW	M5xP0.8x20L	3
13	TA-40110	GIB	FC15	1
14	SS-0828	HEXAGON SOCKET SET SCREW	M8xP1.25x28L	4
15	TA-30010	BODY OF TAPER ATTCHMENT	FC15	1
16		BOLT	M8xP1.25x35L	4
17	SP-05	PIN	#5	2
18	TA-40240	SHAFT	S45C	1
19	TA-40230	CONNTING BLOCK	S45C	1
20	TA-40130	CONNSCT	S45C	1
21	SH-0530	SOCKET HEAD CAP SCREW	M5xP0.8x30L	4
22	TA-30030	SWIVEL	FC15	1
23	TA-40140	ROTARING SHAFT	SS41	1
24	TA-30020	SLIDE PLATE	FC15	1
25		RIVET	φ 2	1
26	TA-40210	GRADUATED INDICTOR	STAINLESS	1
27	TA-40180	BOLT	M10xP1.5	1
28	TA-40210	GRADUATED INDICTOR	AL	1
29	N-10	NUT	M10xP1.5	1
30	TA-40090	CONNECTING ROD	SS41	1
31	TA-40070	CLAMP BRACKET	SS41	1
32		SHAFT	SS41	1
33		SHAFT	SS41	1
34		SOCKET HEAD CAP SCREW	M8xP1.25x35L	2
35	TA-40070A	CLAMP BRACKET	FC15	1
36		BLOCK	SS41	1