

***.EC MACHINERY DIRECTIVE 89/392/EEC***  
***PARTS LIST***

PRESERVE THIS MANUAL FOR  
FUTURE REFERENCE AND USE

MACHINE NAME: HORIZONTAL SURFACE GRINDING MACHINE

MODEL: 1020/ 3A & AHD & AHDII

1224/ 3A & AHD & AHDII

***.EC MACHINERY DIRECTIVE 89/392/EEC***  
***PARTS LIST***

PRESERVE THIS MANUAL FOR  
FUTURE REFERENCE AND USE

MACHINE NAME: HORIZONTAL SURFACE GRINDING MACHINE

BRAND: ACER

MODEL: 1020/ 3A & AHD & AHDII  
1224/ 3A & AHD & AHDII

MANUFACTURE: ACER

ADDRESS: NO.101, LANE 506, SENG TSO RD, TAICHUNG  
COUNTY, TAIWAN.

TELEPHONE: 886-4-2520-4120

FAX.: 886-4-2520-4123

INTERNET: [www.aceronline.net](http://www.aceronline.net)  
[www.acerlink.com](http://www.acerlink.com)

E-mail: [info@aceronline.net](mailto:info@aceronline.net) or [info@acerlink.com](mailto:info@acerlink.com)

# Mechanical Drawings & Parts Breakdown List

Note: When ordering parts, please be prepared with,

1. Machine model & serial number.
2. Item number.
3. Part number and description.
4. Year of Production.
5. Voltage & horsepower.
6. Quantity

---

## CONTENT

1 :SPINDLE.....	PL-01
2 :COLUMN .....	PL-02
3 :COLUMN & SPINDLE .....	PL-03
4 :WHEEL GUARD&WHEEL FLANGE (1020) .....	PL-04
5 :WHEEL GUARD&WHEEL FLANGE (1224) .....	PL-04A
6 :GRINDING WHEEL&COLUMN (1020) .....	PL-05
7 :GRINDING WHEEL&COLUMN (1224) .....	PL-05A
8 :SADDLE CROSSWISE DRIVE(3A,AHD) .....	PL-06
9 :SADDLE CROSSWISE DRIVE(AHDII).....	PL-06A
10 :TABLE LONGITUDINAL DRIVE(1020).....	PL-07
11 :TABLE LONGITUDINAL DRIVE(1224).....	PL-07A
12 :VERTICAL FEED(3A).....	PL-08
13 :VERTICAL FEED(AHD) .....	PL-08A
14 :VERTICAL FEED(AHDII) .....	PL-08B
15 :LIFTING STRUCTURE(3A,AHD) .....	PL-09
16 :LIFTING STRUCTURE(AHDII) .....	PL-09A
17 :LONGITUDINAL HYDRAULIC SYSTEM(1020).....	PL-10
18 :LONGITUDINAL HYDRAULIC SYSTEM(1224).....	PL-10A
19 :TABLE REVERSING ARRANGEMENT .....	PL-11
20 :HYDRAULIC SYSTEM.....	PL-12
21 :CHUCK & SPLASH GUARD.....	PL-13
22 :ELECTRICAL AND CONTROL BOX(3A,AHD) .....	PL-14
23 :ELECTRICAL AND CONTROL BOX(AHDII) .....	PL-14A
24 :LUBRICATION SYSTEM .....	PL-15

※ Following parts list are for many kinds of models. As there are several different specification of parts depends on different orders, please check carefully before placing any order. And you shall be able to contact local distributor for correct parts by this way. Thank you your attention to the above.

Approved by:

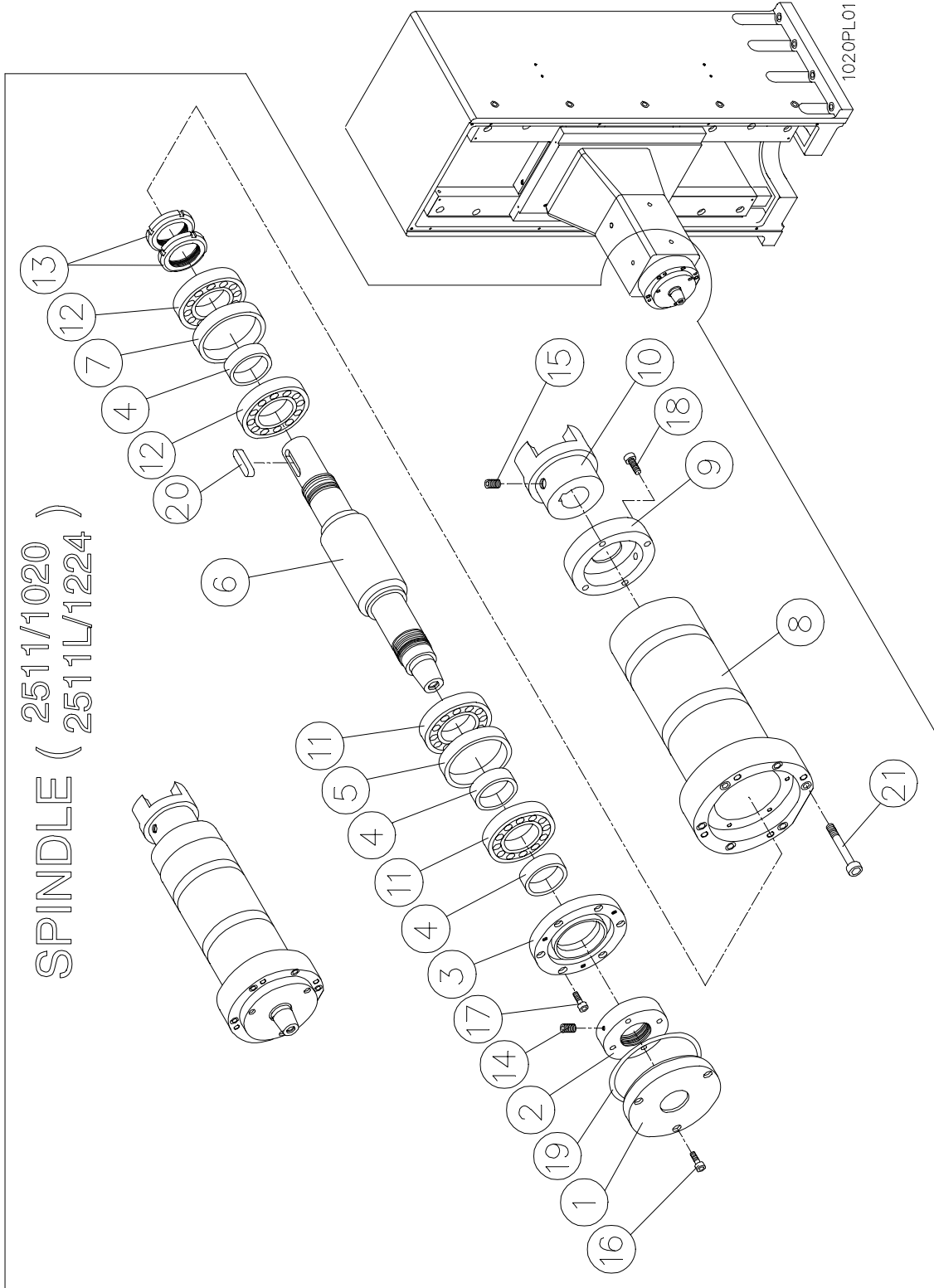
Checked by:

Prepared by:

VERSION: 2

Date:

# SPINDLE



---

## SPINDLE (2511) FOR 1020

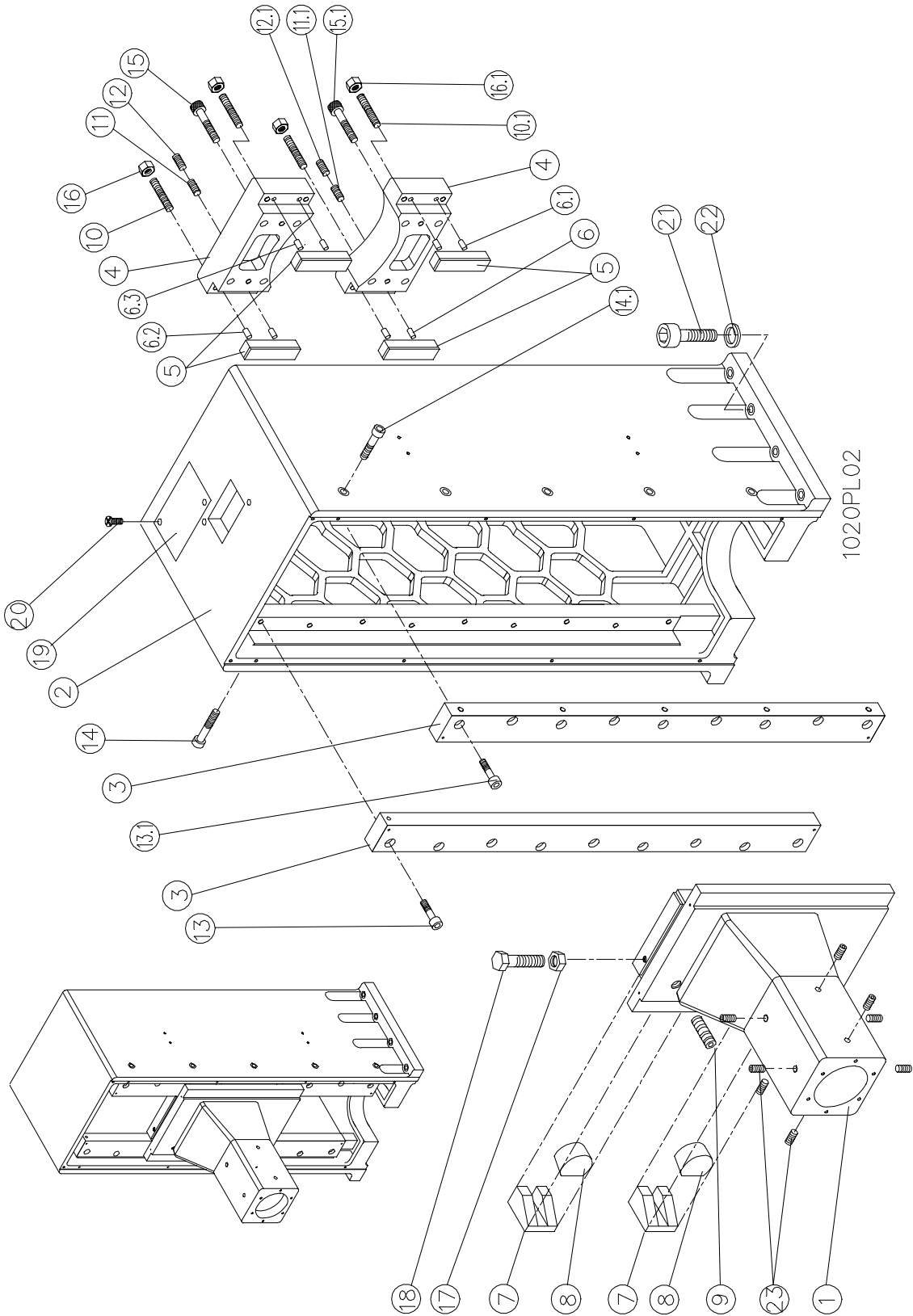
NO.	PART NO.	DESCRIPTION	Q'TY	SPEC.
1.	251011	FRONT DUST GUARD	1	
2.	251004	SPINDLE FRONT NUT	1	
3.	251005	FRONT BEARING PRESSING PLATE	1	
4.	251006	INNER SPACER RING	3	
5.	251007	FRONT BEARING OUTER SPACER RING	1	
6.	251003	SPINDLE	1	FOR 8" WHEEL
7.	251008	REAR BEARING OUTER SPACER RING	1	
8.	251002	SPINDLE SLEEVE	1	
9.	251010	REAR DUST GUARD	1	
10.	251012	SPINDLE COUPLING	1	
11.		BEARING	2	7207
12.		BEARING	2	7007
13.	251009	SPINDLE REAR NUT	2	
14.		HEADLESS SCREW	4	M6*8L
15.		HEADLESS SCREW	2	M8*10L
16.		SOCK HEAD CAP SCREW	3	M5*20L
17.		SOCK HEAD CAP SCREW	6	M5*20L
18.		SOCK HEAD CAP SCREW	4	M6*30L
19.		O-RING	1	P95
20.		SETTING KEY	1	10*8*35L
21.		SOCK HEAD SCREW	6	M6*40L

---

**SPINDLE (2511L) FOR 1224**

NO.	PART NO.	DESCRIPTION	Q'TY	SPEC.
1.	251011L	FRONT DUST GUARD	1	
2.	251004L	SPINDLE FRONT NUT	1	
3.	251005L	FRONT BEARING PRESSING PLATE	1	
4.	251006L	INNER SPACER RING	3	
5.	251007L	FRONT BEARING OUTER SPACER RING	1	
6.	251003L	SPINDLE	1	
7.	251008L	REAR BEARING OUTER SPACER RING	1	
8.	251002L	SPINDLE SLEEVE	1	
9.	251010L	REAR DUST GUARD	1	
10.	251012	SPINDLE COUPLING	1	
11.		BEARING	2	7208
12.		BEARING	2	7008
13.	251009L	SPINDLE REAR NUT	2	
14.		HEADLESS SCREW	4	M6*8L
15.		HEADLESS SCREW	2	M8*10L
16.		SOCK HEAD CAP SCREW	3	M5*20L
17.		SOCK HEAD CAP SCREW	6	M5*20L
18.		SOCK HEAD CAP SCREW	4	M6*30L
19.		O-RING	1	P95
20.		SETTING KEY	1	10*8*35L
21.		SOCK HEAD CAP SCREW	6	M8*45L

# COLUMN





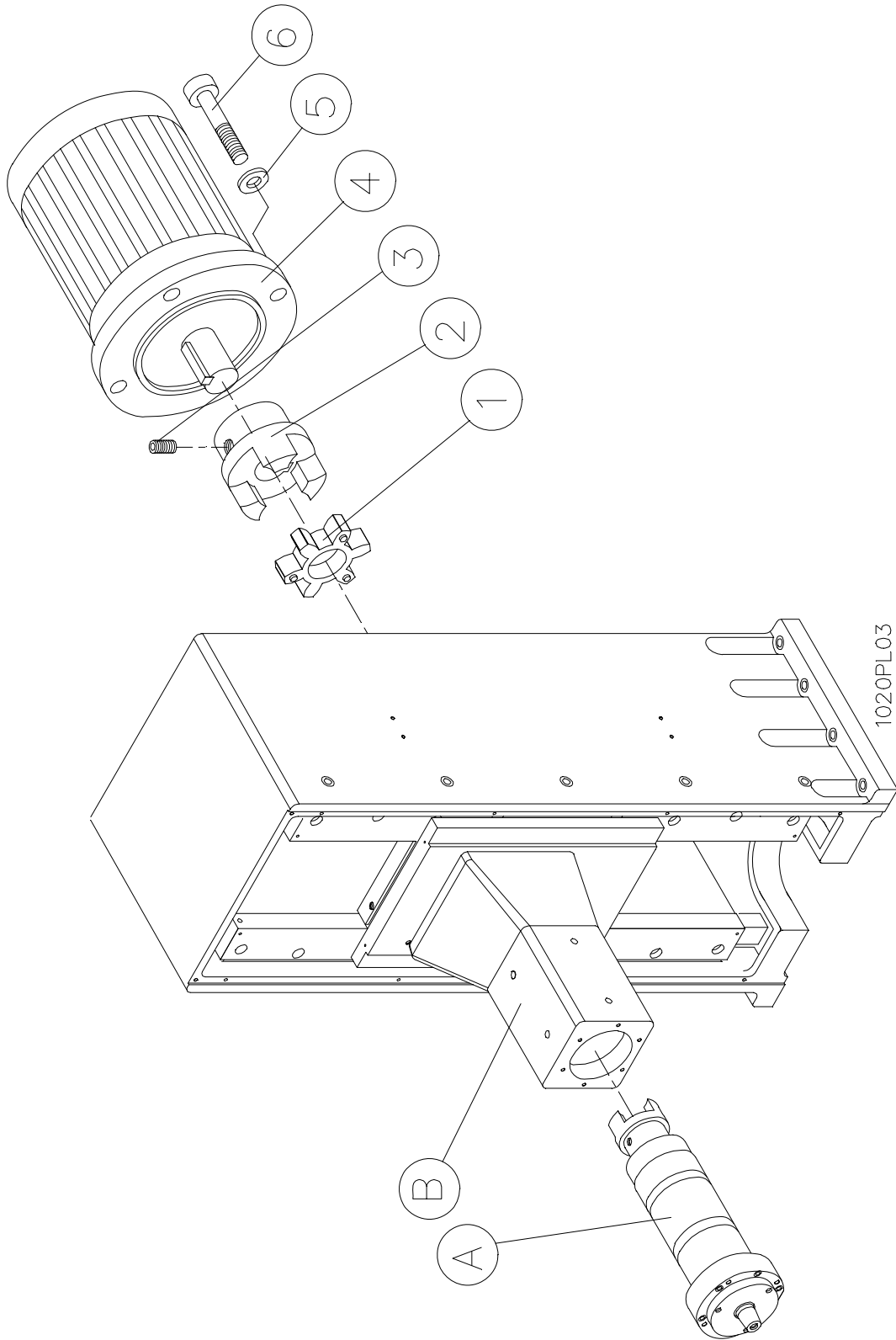
**COLUMN (2521) FOR1020**

NO.	PART NO.	DESCRIPTION	Q'TY	SPEC.
1.	251001	SPINDLE SEAT	1	
2.	252001	COLUMN	1	
3.	252003	COLUMN RAIL	2	
4.	252002	SPINDLE SEAT 'S PRESSING PLATE	2	
5.	252013	VERTICAL BACK SLIDE PLATE	4	
6.		DOWEL PIN	2	D8*20L
6.1		DOWEL PIN	2	D8*20L
6.2		DOWEL PIN	2	D8*20L
6.3		DOWEL PIN	2	D8*20L
7.	252011	VERTICAL SLIDE PLATE	2	
8.	252012	VERTICAL SLIDE PLATE ADJUSTING BLOCK	2	
9.		HEADLESS SCREW	1	M12*25L
10.		HEADLESS SCREW	4	M10*50L
10.1		HEADLESS SCREW	4	M10*50L
11.		HEADLESS SCREW	1	M10*30L
11.1		HEADLESS SCREW	1	M10*30L
12.		HEADLESS SCREW	1	M10*10L
12.1		HEADLESS SCREW	1	M10*10L
13.		SOCK HEAD CAP SCREW	9	M10*40L
13.1		SOCK HEAD CAP SCREW	9	M10*40L
14.		SOCK HEAD CAP SCREW	5	M10*30L
14.1		SOCK HEAD CAP SCREW	5	M10*30L
15.		SOCK HEAD CAP SCREW	4	M12*80L
15.1		SOCK HEAD CAP SCREW	4	M12*80L
16.		NUT	4	M12
16.1		NUT	4	M12
17.		NUT	1	M12
18.		HEX SOCKET SCREW	1	M12*70L
19.	252010	BASE COVER	1	
20.		CROSS HEAD SCREW	2	M6*8L
21.		SOCK HEAD CAP SCREW	8	M16*60L
22.		SPRING WASHER	8	φ 16
23.		HEADLESS SCREW	8	M10*16L

## COLUMN (3021) FOR 1224

NO.	PART NO.	DESCRIPTION	Q'TY	SPEC.
1.	301001	SPINDLE SEAT	1	
2.	252001L	COLUMN	1	
3.	252003L	COLUMN RAIL	2	
4.	252002	SPINDLE SEAT 'S PRESSING PLATE	2	
5.	252013	VERTICAL BACK SLIDE PLATE	4	
6.		DOWEL PIN	2	D8*20L
6.1		DOWEL PIN	2	D8*20L
6.2		DOWEL PIN	2	D8*20L
6.3		DOWEL PIN	2	D8*20L
7.	252011	VERTICAL SLIDE PLATE	2	
8.	252012	VERTICAL SLIDE PLATE ADJUSTING BLOCK	2	
9.		HEADLESS SCREW	1	M12*25L
10.		HEADLESS SCREW	4	M10*50L
10.1		HEADLESS SCREW	4	M10*50L
11.		HEADLESS SCREW	1	M10*30L
11.1		HEADLESS SCREW	1	M10*30L
12.		HEADLESS SCREW	1	M10*10L
12.1		HEADLESS SCREW	1	M10*10L
13.		SOCK HEAD CAP SCREW	9	M10*40L
13.1		SOCK HEAD CAP SCREW	9	M10*40L
14.		SOCK HEAD CAP SCREW	5	M10*30L
14.1		SOCK HEAD CAP SCREW	5	M10*30L
15.		SOCK HEAD CAP SCREW	4	M12*80L
15.1		SOCK HEAD CAP SCREW	4	M12*80L
16.		NUT	4	M12
16.1		NUT	4	M12
17.		NUT	1	M12
18.		HEX SOCKET SCREW	1	M12*70L
19.	252010	BASE COVER	1	
20.		CROSS HEAD SCREW	2	M6*8L
21.		SOCK HEAD CAP SCREW	8	M16*60L
22.		SPRING WASHER	8	φ 16
23.		HEADLESS SCREW	8	M10*16L

## COLUMN&SPINDLE



---

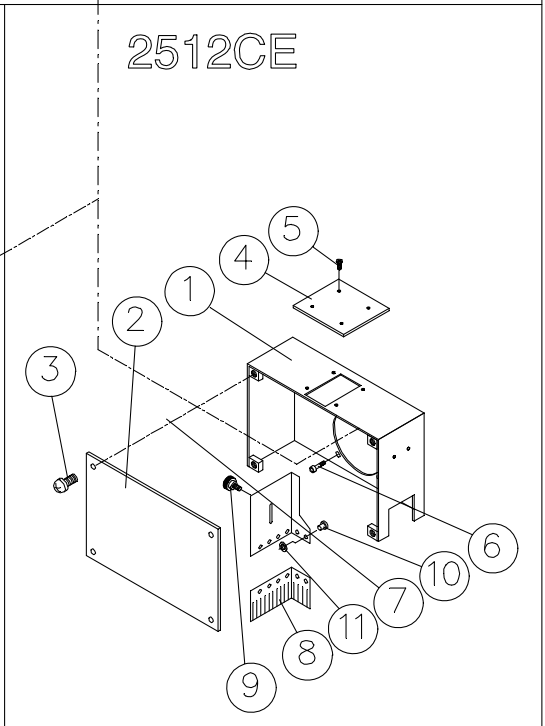
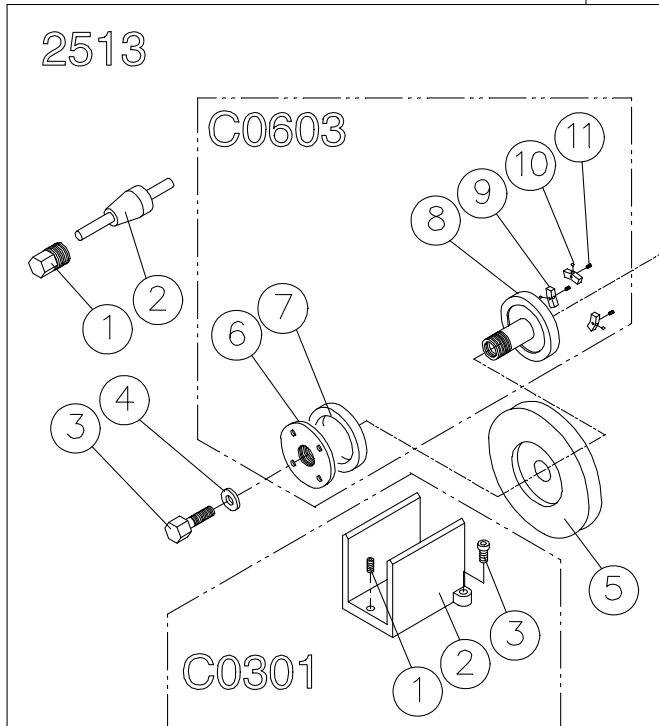
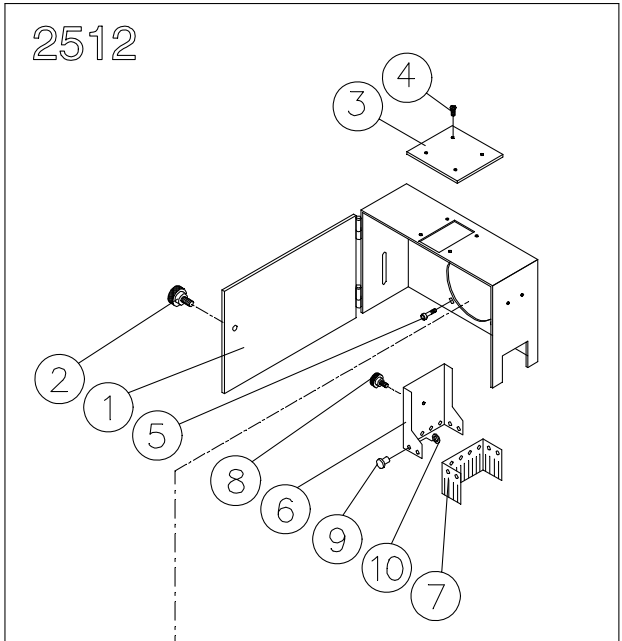
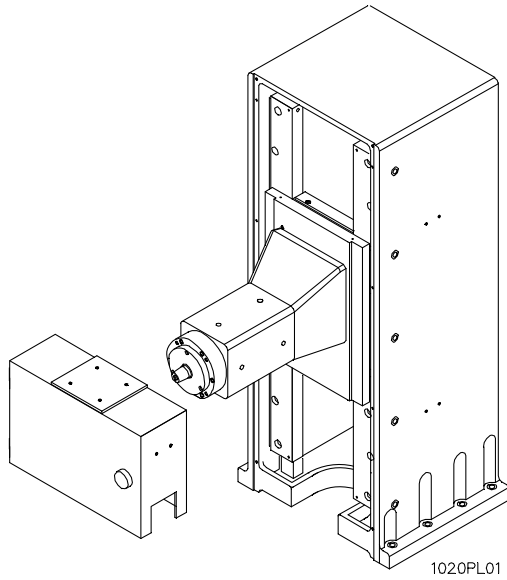
**COLUMN&SPINDLE  
(2510) for 8” /1020 SERIES WHEEL**

NO.	PART NO.	DESCRIPTION	Q'TY	SPEC.
1.	251014	RUBBER COUPLING	1	
2.	251013	MOTOR COUPLING	1	
3.		HEADLESS SCREW	2	M8*10L
4.		SPINDLE MOTOR	1	3HP2Pxxx/xxxV
5.		SPRING WASHER	4	D10
6.		SOCK HEAD CAP SCREW	4	M10*35L
A.		SPINDLE (REF.PL-01)	1	
B.		COLUMN (REF.PL-02)	1	

**COLUMN & SPINDLE  
(3010) for 12”/1224 SERIES WHEEL**

NO.	PART NO.	DESCRIPTION	Q'TY	SPEC.
1.	251014	RUBBER COUPLING	1	
2.	251013L	MOTOR COUPLING	1	
3.		HEADLESS SCREW	2	M8*10L
4.		SPINDLE MOTOR	1	5HP4Pxxx/xxxV
5.		SPRING WASHER	4	D10
6.		SOCK HEAD CAP SCREW	4	M10*35L
A.		SPINDLE (REF.PL-01)	1	
B.		COLUMN (REF.PL-02)	1	

# WHEEL GUARD & WHEEL FLANGE (1020)



## WHEEL GUARD & WHEEL FLANGE (1020)

### WHEEL GUARD (2512)

NO.	PART NO.	DESCRIPTION	Q'TY	SPEC.
1.	251024	GRINDING WHEEL GUARD	1	
2.	251033	GRINDING WHEEL GUARD BOLT	1	
3.	251025B	GUARD PLATE	1	
4.		CROSS HEAD SCREW	2	M6*10L
5.		INNER HEX SCREW	4	M8*20L
6.	251029	MOVABLE GUARD SHEET	1	
7.	251030	DUST RUBBER PIECE	1	
8.		INNER HEX SCREW	1	M6*14L
9.		ALUMINIUM RIVET	8	D3*5L
10.		WASHER	8	M3

### WHEEL GUARD (2512CE)

NO.	PART NO.	DESCRIPTION	Q'TY	SPEC.
1.	251024E	WHEEL GUARD	1	
2.	251036E	WHEEL GUARD DOOR	1	
3.		CROSS HEAD SCREW	4	M8*14L
4.	251025B	GUARD PLATE	1	
5.		HEX HEAD SCREW	4	M6*10L
6.		INNER HEX SCREW	4	M8*20L
7.	251029	MOVABLE GUARD SHEET	1	
8.	251030	DUST RUBBER PIECE	1	
9.		INNER HEX SCREW	1	M6*14L
10.		ALUMINIUM RIVET	8	D3*5L
11.		WASHER	8	M3

### WHEEL ASSEMBLY (2513)

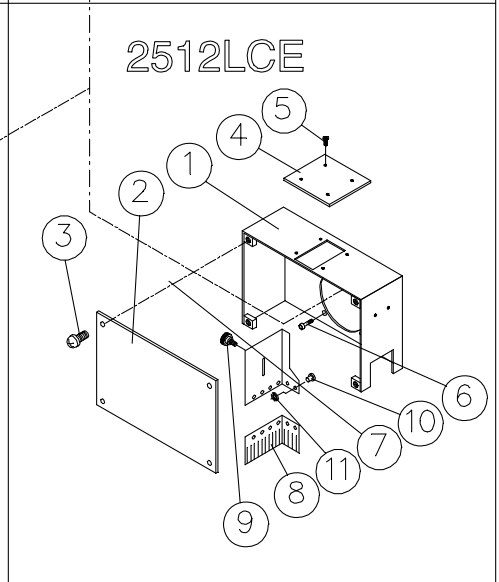
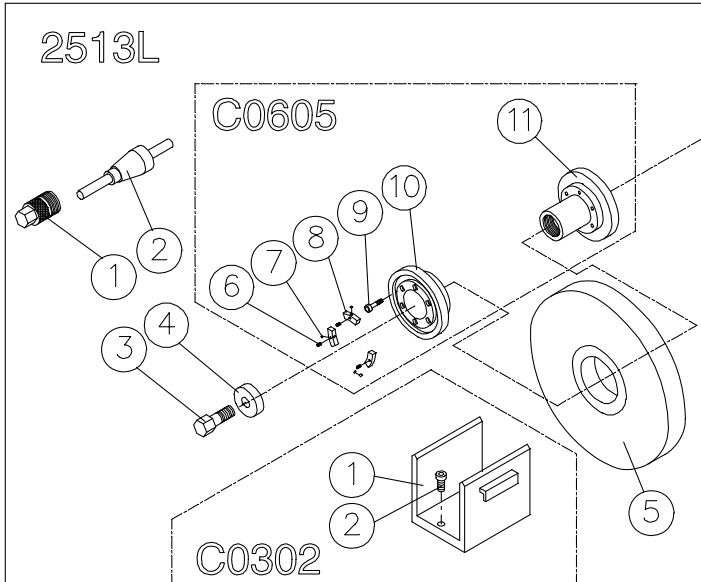
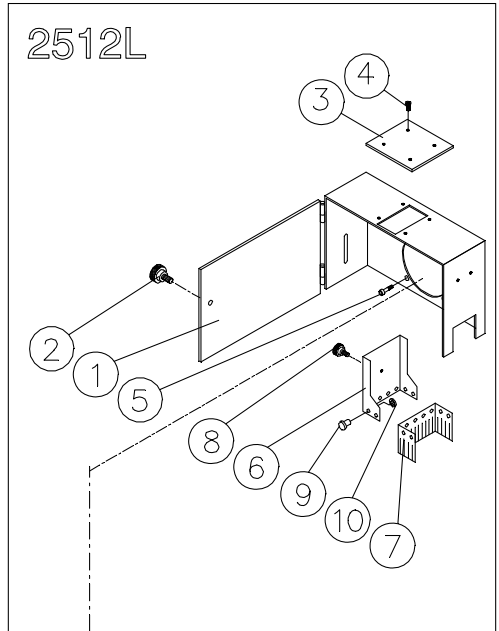
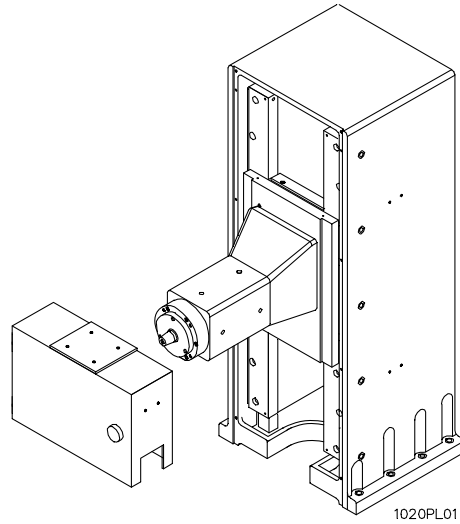
NO.	PART NO.	DESCRIPTION	Q'TY	SPEC.
1.	251035	WHEEL EXTRACTOR	1	
2.	251023	BALANCING ARBOR	1	
3.	251016	NUT	1	
4.	251017	WASHER	1	
5.		GRINDING WHEEL	1	$\phi$ 203* $\phi$ 31.75*19MM
6.	251020	WHEEL SETTING NUT	1	
7.	251019	WASHER	1	
8.	251018	WHEEL HUB	1	
9.	251021	BALANCE BLOCK	3	
10.		STEEL BALL	3	$\phi$ 4
11.		SET SCREW	3	M5*5L

---

**BALANCING STAND (C0301)**

NO.	PART NO.	DESCRIPTION	Q'TY	SPEC.
1.		SET SCREW	1	M8*16L
2.	100804-1	BALANCING STAND	1	
3.		HEX SOCKET SCREW	2	M8*25L

# WHEEL GUARD & WHEEL FLANGE (1224)





## WHEEL GUARD & WHEEL FLANGE (1224)

### WHEEL GUARD (2512L)

NO.	PART NO.	DESCRIPTION	Q'TY	SPEC.
1.	251024L	GRINDING WHEEL GUARD	1	
2.	251033	GRINDING WHEEL GUARD BOLT	1	
3.	251025B	GUARD PLATE	1	
4.		CROSS HEAD SCREW	2	M6*10L
5.		INNER HEX SCREW	4	M8*20L
6.	251029L	MOVABLE GUARD SHEET	1	
7.	251030L	DUST RUBBER PIECE	1	
8.		INNER HEX SCREW	1	M6*14L
9.		ALUMINIUM RIVET	8	D3*5L
10.		WASHER	8	M3

### WHEEL GUARD (2512LCE)

NO.	PART NO.	DESCRIPTION	Q'TY	SPEC.
1.	301003E	WHEEL GUARD	1	
2.	301004E	WHEEL GUARD DOOR	1	
3.		CROSS HEAD SCREW	4	M8*14L
4.	251025B	GUARD PLATE	1	
5.		HEX HEAD SCREW	4	M6*10L
6.		INNER HEX SCREW	4	M8*20L
7.	251029E	MOVABLE GUARD SHEET	1	
8.	251030	DUST RUBBER PIECE	1	
9.		INNER HEX SCREW	1	M6*14L
10.		ALUMINIUM RIVET	8	D3*5L
11.		WASHER	8	M3

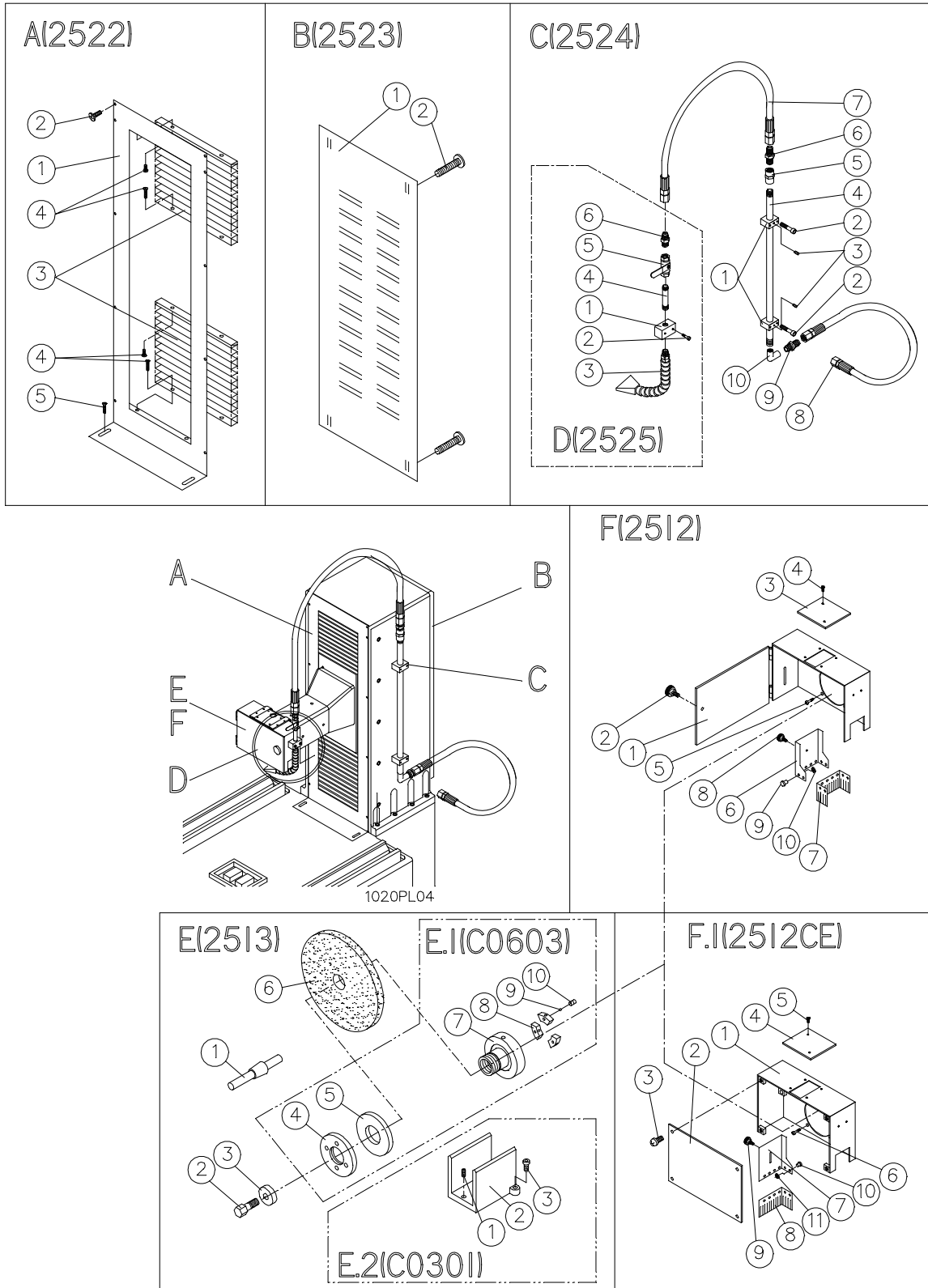
### WHEEL ASSEMBLY (2513L)

NO.	PART NO.	DESCRIPTION	Q'TY	SPEC.
1.	251035L	WHEEL EXTRACTOR	1	
2.	251023L	BALANCING ARBOR	1	
3.	251016L	NUT	1	
4.	251017L	WASHER	1	
5.		12"GRINDING WHEEL	1	$\phi$ 305* $\phi$ 76.2*31.75MM
6.		STEEL BALL	3	$\phi$ 4
7.		SET SCREW	3	M5*5L
8.	251018	WHEEL HUB	3	
9.	251021L	BALANCE BLOCK	3	
10.	251019L	WASHER	1	
11.	251018L	WHEEL HUB	1	

**BALANCING STAND (C0302)**

NO.	PART NO.	DESCRIPTION	Q'TY	SPEC.
1.	100826-1	BALANCING STAND	1	
2.		HEX SOCKET SCREW	3	M8*35L

## GRINDING WHEEL&COLUMN (1020)



## GRINDING WHEEL&COLUMN (1020)

### A: COLUMN FRONT DUST FENDER (2522)

NO.	PART NO.	DESCRIPTION	Q'TY	SPEC.
1.	252007	COLUMN FRONT FENDER	1	(2522)
2.		CROSS HEAD SCREW	10	M6*8L
3.	252006	COLUMN FRONT DUST SHEET	2	
4.		CROSS HEAD SCREW	8	M4*10L
5.		CROSS HEAD SCREW	2	M6*10L

### B: COLUMN REAR DUST FENDER (2523/1020)

NO.	PART NO.	DESCRIPTION	Q'TY	SPEC.
1.	252008M	COLUMN REAR SEALED PLATE	1	
2.		CROSS HEAD SCREW	4	M6*10L

### C: WATER PIPE (2524)

NO.	PART NO.	DESCRIPTION	Q'TY	SPEC.
1.	382011	WATER PIPE'S FIXING BLOCK	2	
2.		INNER HEX SCREW	4	M6*55L
3.		INNER HEX HEADLESS SCREW	2	M6*6L
4.	382012	WATER PIPE	1	
5.		INSIDE THREAD STRAIGHT CONNECTION	2	1/2PT
6.		HIGH PRESSURE PIPE CONNECTION	1	1/2PT*3/8PH
7.		HIGH PRESSURE PIPE	1	3/8PH*960L
8.		HIGH PRESSURE PIPE	1	1/2PH*1200L
9.		HIGH PRESSURE PIPE CONNECTION	1	1/2PT*1/2PH
10.		INSIDE THREAD 90° CONNECTION	1	1/2PT

### D. COOLANT NOZZLE SET (2525)

NO.	PART NO.	DESCRIPTION	Q'TY	SPEC.
1.	100813-1	WATER NOZZLE SEAT	1	
2.		INNER HEX SCREW	2	M6*12L
3.		WATER NOZZLE	1	1/2PT
4.		WATER PIPE	1	1/2PT*2"L
5.		BALL VALVE	1	1/2PT
6.		HIGH PRESSURE PIPE CONNECTION	1	1/2PT*3/8PH

### E. WHEEL ASSEMBLY (2513)

NO.	PART NO.	DESCRIPTION	Q'TY	SPEC.
1.	251023	BALANCING ARBOR	1	
2.	251016	NUT	1	
3.	251017	WASHER	1	
4.		GRINDING WHEEL	1	φ 203* φ 31.75*19MM
5.	251020	WHEEL SETTING NUT	1	

NO.	PART NO.	DESCRIPTION	Q'TY	SPEC.
6.	251019	WASHER	1	
7.	251018	WHEEL HUB	1	
8.	251021	BALANCE BLOCK	3	
9.		STEEL BALL	3	φ 4
10.		SET SCREW	3	M5*5L

### E.2 BALANCING STAND (C0301)

NO.	PART NO.	DESCRIPTION	Q'TY	SPEC.
1.		SET SCREW	1	M8*16L
2.	100804-1	BALANCING STAND	1	
3.		HEX SOCKET SCREW	2	M8*25L

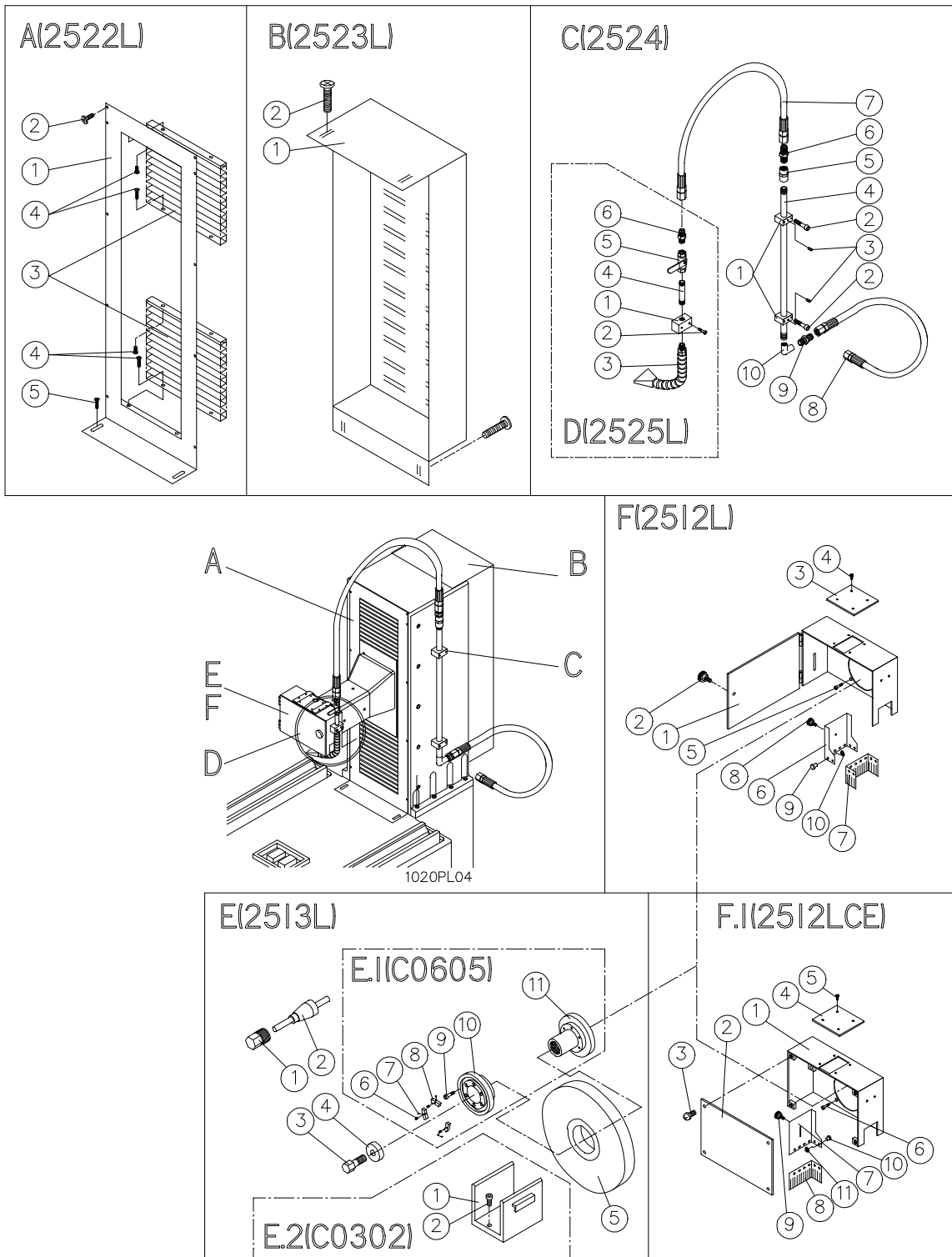
### F. WHEEL GUARD (2512)

NO.	PART NO.	DESCRIPTION	Q'TY	SPEC.
1.	251024	GRINDING WHEEL GUARD	1	
2.	251033	GRINDING WHEEL GUARD BOLT	1	
3.	251025B	GUARD PLATE	1	
4.		CROSS HEAD SCREW	2	M6*10L
5.		INNER HEX SCREW	4	M8*20L
6.	251029	MOVABLE GUARD SHEET	1	
7.	251030	DUST RUBBER PIECE	1	
8.		INNER HEX SCREW	1	M6*14L
9.		ALUMINIUM RIVET	8	φ 3*5L
10.		WASHER	8	φ 3

### F.1 WHEEL GUARD (2512CE)

NO.	PART NO.	DESCRIPTION	Q'TY	SPEC.
1.	251024E	WHEEL GUARD	1	
2.	251036E	WHEEL GUARD DOOR	1	
3.		CROSS HEAD SCREW	4	M8*14L
4.	251025B	GUARD PLATE	1	
5.		HEX HEAD SCREW	4	M6*10L
6.		INNER HEX SCREW	4	M8*20L
7.	251029	MOVABLE GUARD SHEET	1	
8.	251030	DUST RUBBER PIECE	1	
9.		INNER HEX SCREW	1	M6*14L
10.		ALUMINIUM RIVET	8	φ 3*5L
11.		WASHER	8	φ 3

## GRINDING WHEEL&COLUMN (1224)



## GRINDING WHEEL&COLUMN(1224)

### A: COLUMN FRONT DUST FENDER (2522L)

NO.	PART NO.	DESCRIPTION	Q'TY	SPEC.
1.	252007L	COLUMN FRONT FENDER	1	(2522L)
2.		CROSS HEAD SCREW	10	M6*8L
3.	252006	COLUMN FRONT DUST SHEET	2	
4.		CROSS HEAD SCREW	8	M4*10L
5.		CROSS HEAD SCREW	2	M6*10L

### B: COLUMN REAR DUST FENDER (2523L)

NO.	PART NO.	DESCRIPTION	Q'TY	SPEC.
1.	252008L	COLUMN REAR DUST FENDER (2523L)	1	
2.		CROSS HEAD SCREW	4	M6*10L

### C: WATER PIPE (2524)

NO.	PART NO.	DESCRIPTION	Q'TY	SPEC.
1.	382011	WATER PIPE'S FIXING BLOCK	2	
2.		INNER HEX SCREW	4	M6*55L
3.		INNER HEX HEADLESS SCREW	2	M6*6L
4.	382012	WATER PIPE	1	
5.		INSIDE THREAD STRAIGHT CONNECTION	2	1/2PT
6.		HIGH PRESSURE PIPE CONNECTION	1	1/2PT*3/8PH
7.		HIGH PRESSURE PIPE	1	3/8PH*960L
8.		HIGH PRESSURE PIPE	1	1/2PH*1200L
9.		HIGH PRESSURE PIPE CONNECTION	1	1/2PT*1/2PH
10.		INSIDE THREAD 90°CONNECTION	1	1/2PT

### D. COOLANT NOZZLE SET (2525L)

NO.	PART NO.	DESCRIPTION	Q'TY	SPEC.
1.	251031	WATER NOZZLE SEAT	1	
2.		INNER HEX SCREW	2	M6*12L
3.		WATER NOZZLE	1	1/2PT
4.		WATER PIPE	1	1/2PT*2"L
5.		BALL VALVE	1	1/2PT
6.		HIGH PRESSURE PIPE CONNECTION	1	1/2PT*3/8PH

### E. WHEEL ASSEMBLY (2513L)

NO.	PART NO.	DESCRIPTION	Q'TY	SPEC.
1.	251035L	WHEEL EXTRACTOR	1	
2.	251023L	BALANCING ARBOR	1	
3.	251016L	NUT	1	
4.	251017L	WASHER	1	
5.		12"GRINDING WHEEL	1	$\phi$ 305* $\phi$ 76.2*31.75MM
6.		STEEL BALL	3	$\phi$ 4

NO.	PART NO.	DESCRIPTION	Q'TY	SPEC.
7.		SET SCREW	3	M5*5L
8.	251018	WHEEL HUB	3	
9.	251021L	BALANCE BLOCK	3	
10.	251019L	WASHER	1	
11.	251018L	WHEEL HUB	1	

**E.2 BALANCING STAND (C0302)**

NO.	PART NO.	DESCRIPTION	Q'TY	SPEC.
1.	100826-1	BALANCING STAND	1	
2.		HEX SOCKET SCREW	3	M8*35L

**F. WHEEL GUARD (2512L)**

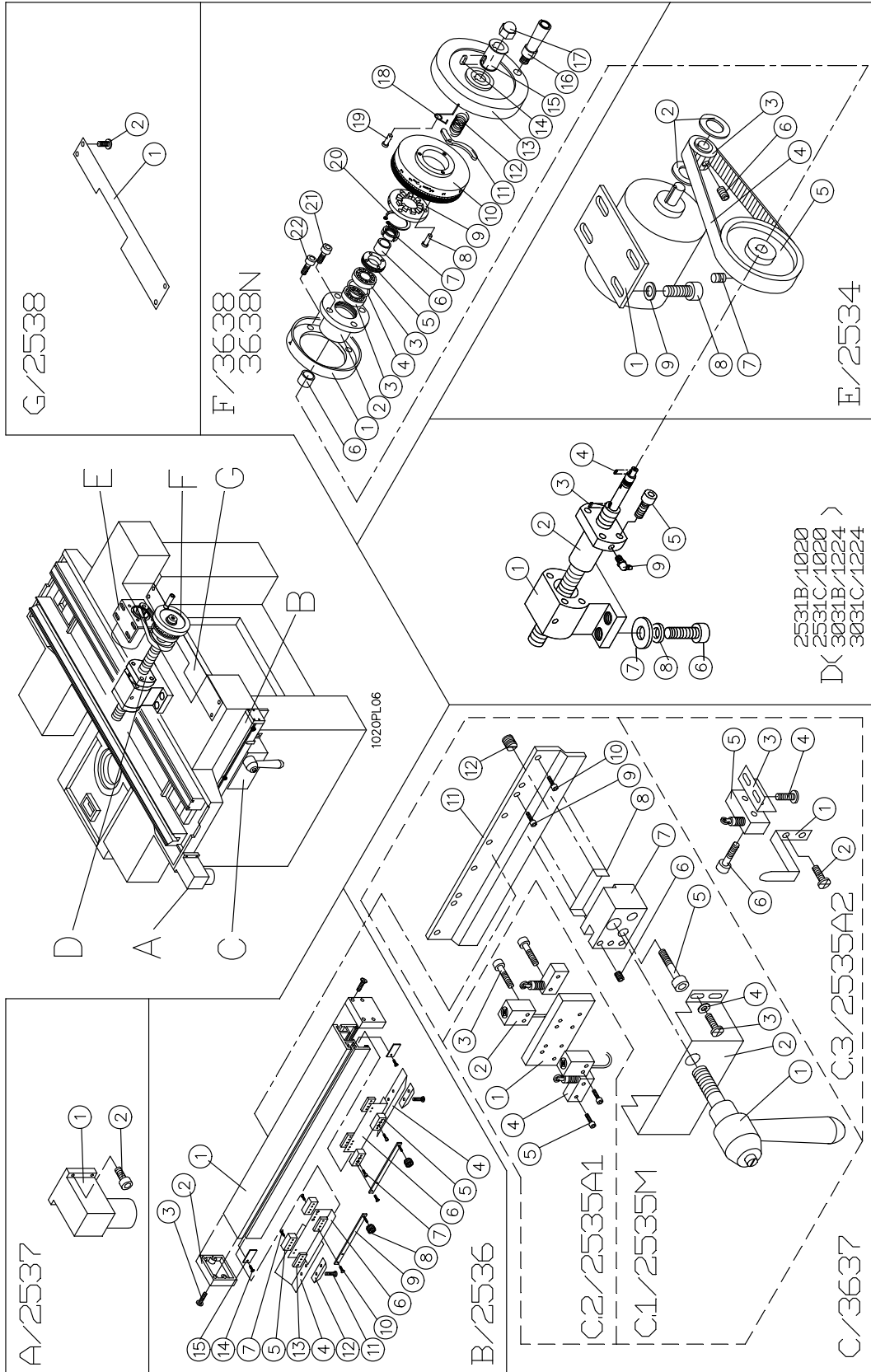
NO.	PART NO.	DESCRIPTION	Q'TY	SPEC.
1.	251024L	GRINDING WHEEL GUARD	1	
2.	251033	GRINDING WHEEL GUARD BOLT	1	
3.	251025B	GUARD PLATE	1	
4.		CROSS HEAD SCREW	2	M6*10L
5.		INNER HEX SCREW	4	M8*20L
6.	251029L	MOVABLE GUARD SHEET	1	
7.	251030L	DUST RUBBER PIECE	1	
8.		INNER HEX SCREW	1	M6*14L
9.		ALUMINIUM RIVET	8	D3*5L
10.		WASHER	8	D3

**F.1 WHEEL GUARD (2512LCE)**

NO.	PART NO.	DESCRIPTION	Q'TY	SPEC.
1.	301003E	WHEEL GUARD	1	
2.	301004E	WHEEL GUARD DOOR	1	
3.		CROSS HEAD SCREW	4	M8*14L
4.	251025B	GUARD PLATE	1	
5.		HEX HEAD SCREW	4	M6*10L
6.		INNER HEX SCREW	4	M8*20L
7.	251029E	MOVABLE GUARD SHEET	1	
8.	251030	DUST RUBBER PIECE	1	
9.		INNER HEX SCREW	1	M6*14L
10.		ALUMINIUM RIVET	8	D3*5L
11.		WASHER	8	D3



# SADDLE CROSSWISE DRIVE (3A,AHD)



**SADDLE CROSSWISE DRIVE (3A,AHD)**

**A: COOLANT DRAINER (2537)**

NO.	PART NO.	DESCRIPTION	Q'TY	SPEC.
1.	364026	COOLANT DRAINER	1	
2.		HEX SCREW	4	M6*16L

**B. CROSSWISE SENSOR-DETECTED RAIL (2536)**

NO.	PART NO.	DESCRIPTION	Q'TY	SPEC.
1.	200430	SENSOR-DETECTED RAIL	1	
2.	200431	SIDE COVER OF SENSOR-DETECTED RAIL	2	
3.		CROSS HEAD SCREW	8	M4*16L
4.	364040-1	INDUCTION LIMIT PLATE	2	
5.	200432	LOCKING BLOCK OF SENSOR-DETECTED SHEET	4	
6.	200434	CROSSWISE SENSOR-DETECTED SHEET	2	
7.		SOCK HEAD CAP SCREW	8	M4*14L
8.	363024-1	CLAMPING BLOCK OF SENSOR-DETECTED SHEET	2	
9.	463011-1	CROSSWISE SENSOR-DETECTED ADJUSTING BLOCK	1	
10.		CROSS HEAD SCREW	4	M4*20L
11.		CROSS HEAD SCREW	4	M4*6L
12.	463008	CROSSWISE LIMIT SETTING PLATE	2	
13.	200427	CLAMPING BLOCK OF SENSOR-DETECTED SHEET	4	
14.		CROSS HEAD SCREW	2	M4*6L
15.	200428-1	POSITIONING LIMITED PLATE	2	

**C: CROSSWISE SAFETY SWITCH (3637)**

**C.1: CROSSWISE LOCKING DEVICE (2535M)**

NO.	PART NO.	DESCRIPTION	Q'TY	SPEC.
1.	463012-1	CROSS LOCKING HANDLE	1	
2.	463004-1	CROSSWISE INDUCTION SWITCH PROTECTION COVER	1	
3.		CROSS HEAD SCREW	4	M5*8L
4.		WASHER	4	D5
5.		INNER HEX SCREW	4	M8*65L
6.		HEADLESS SCREW	3	M6*8L
7.	463015	CROSS LOCKING SOCKET	1	
8.	463017	CROSS LOCK CLAMPING PLATE	1	
9.		INNER HEX SCREW	4	M6*16L
10.		INNER HEX SCREW	5	M4*10L
11.	463013-1	CROSS LOCKING PLATE	1	
12.	463014	FRICTION SCREW	1	M12*15L

**C.2: CROSSWISE PROXIMITY SWITCH (2535A1)**

NO.	PART NO.	DESCRIPTION	Q'TY	SPEC.
1.	463003-1	CROSS PROXIMITY SWITCH SOCKET	1	PNP5MM PL-QSP
2.		PROXIMITY SWITCH	2	17*17*28
3.		CROSS HEAD SCREW	4	M3*25L
4.		LIMIT SWITCH	2	Z-15GQ22-B
5.		SOCK HEAD CAP SCREW	4	M4*25L

**C.3: CROSSWISE SAFETY SWITCH (2535A2)**

NO.	PART NO.	DESCRIPTION	Q'TY	SPEC.
1.	253025	CROSS TRAVEL INDICATOR	1	
2.		SOCK HEAD CAP SCREW	2	M5*10L
3.	463016	SAFETY SWITCH FIXED PLATE	1	
4.		SOCK HEAD CAP SCREW	2	M5*10L
5.		LIMIT SWITCH	1	Z-15GQ22-B
6.		SOCK HEAD CAP SCREW	2	M4*25L

**D: CROSSWISE SCREW SET (2531B,2531C/1020)(3031B,3031C/1224)**

NO.	PART NO.	DESCRIPTION	Q'TY	SPEC.
1.	363006-1	NUT SEAT	1	
2.	253002G	CROSSWISE BALL SCREW	1	MM(2531C)
	253002H	CROSSWISE BALL SCREW	1	INCH(2531B)
	303002G	CROSSWISE BALL SCREW	1	MM(3031C)
	303002H	CROSSWISE BALL SCREW	1	INCH(3031B)
3.		SETTING KEY	1	6*6*20L
4.		SETTING KEY	1	3*3*12L
5.		SOCKET SCREW	4	M6*16L
6.		SOCKET SCREW	4	M12*35L
7.		WASHER	4	D12
8.		SPRING WASHER	4	D12
9.		OIL NOZZLE	1	T13-8*1.0

**E: CROSSWISE MOTOR SET (2534) FOR 3A, ASD TYPE**

NO.	PART NO.	DESCRIPTION	Q'TY	SPEC.
1.		CROSS MOVEMENT MOTOR	1	40W
2.	200211	RING WASHER	2	
3.	363016	MOTOR PULLEY	1	
4.		TIMING BELT-G	1	200*L*20MM
5.	253015-1	BIG PULLEY	1	
6.		HEADLESS SCREW	2	M5*6L
7.		HEADLESS SCREW	2	M6*10L
8.		SOCK HEAD CAP SCREW	4	M10*16L
9.		WASHER	4	D10

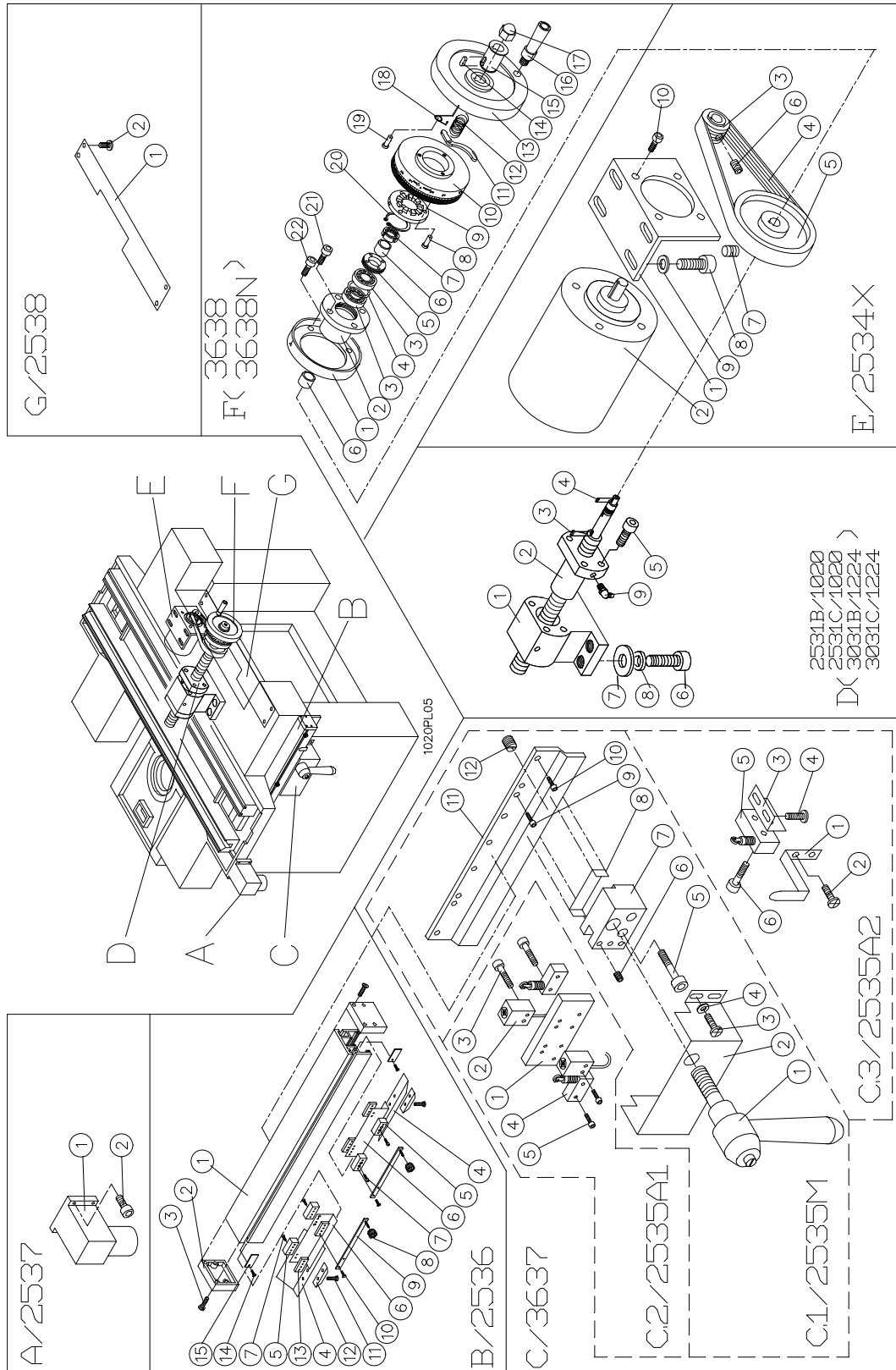
**F: CROSSWISE SCALE RING & HAND WHEEL ( 3638,3638N )**

NO.	PART NO.	DESCRIPTION	Q'TY	SPEC.
1.	363014-1	SCALE INDICATING PLATE	1	
2.	253007	BEARING SEAT	1	
3.		BEARING	2	7004
4.	253026	BEARING SPACER	1	
5.	253008	BEARING LOCKING NUT	1	
6.	253009-1	BEARING BUSH	2	
7.		REAR LOCKING NUT	2	AN04
8.		HEX HEAD SCREW	1	M5*16L
9.	363011-1	FIXED DISK GEAR	1	
10.	363010A1	FEEDING SCALE RING	1	MM(2532B2)
	363010E1	FEEDING SCALE RING	1	
		INCH(2532A2)		
11.	363050	SAFE POSITIONING PLATE	1	
12.	363053	DISK COMPRESSION SPRING	1	
13.	363009-2	HAND WHEEL	1	
14.		SETTING KEY	1	6*6*10L
15.	363051	HANDWHEEL WASHER	1	
16.	100237	FOLDING HANDLE	1	
17.		CUP NUT	1	M12
18.	363052	SPRING	1	
19.		GIB HEADED PIN	1	D9*d6*25L
20.		C-RETAINUNG RING	1	Cd26
21.		HEX HEAD SCREW	1	M6*20L
22.		HEX HEAD SCREW	1	M6*16L

**G: CROSSWISE PROTECTION SET (2538)**

NO.	PART NO.	DESCRIPTION	Q'TY	SPEC.
1.	253024	PROTECTION PLATE	1	
2.		CROSS HEAD SCREW	4	M5*8L

# SADDLE CROSSWISE DRIVE (AHDII)



**SADDLE CROSSWISEDRIVE (AHDII)**

**A: COOLANT DRAINER (2537)**

NO.	PART NO.	DESCRIPTION	Q'TY	SPEC.
1.	364026	COOLANT DRAINER	1	
2.		HEX SCREW	4	M6*16L

**B. CROSSWISE SENSOR-DETECTED RAIL (2536)**

NO.	PART NO.	DESCRIPTION	Q'TY	SPEC.
1.	200430	SENSOR-DETECTED RAIL	1	
2.	200431	SIDE COVER OF SENSOR-DETECTED RAIL	2	
3.		CROSS HEAD SCREW	8	M4*16L
4.	364040-1	INDUCTION LIMIT PLATE	2	
5.	200432	LOCKING BLOCK OF SENSOR-DETECTED SHEET	4	
6.	200434	CROSSWISE SENSOR-DETECTED SHEET	2	
7.		SOCK HEAD CAP SCREW	8	M4*14L
8.	363024-1	CLAMPING BLOCK OF SENSOR-DETECTED SHEET	2	
9.	463011-1	CROSSWISE SENSOR-DETECTED ADJUSTING BLOCK	1	
10.		CROSS HEAD SCREW	4	M4*20L
11.		CROSS HEAD SCREW	4	M4*6L
12.	463008	CROSSWISE LIMIT SETTING PLATE	2	
13.	200427	CLAMPING BLOCK OF SENSOR-DETECTED SHEET	4	
14.		CROSS HEAD SCREW	2	M4*6L
15.	200428-1	POSITIONING LIMITED PLATE	2	

**C: CROSSWISE SAFETY SWITCH (3637)**

**C.1: CROSSWISE LOCKING DEVICE (2535M)**

NO.	PART NO.	DESCRIPTION	Q'TY	SPEC.
1.	463012-1	CROSS LOCKING HANDLE	1	
2.	463004-1	CROSSWISE INDUCTION SWITCH PROTECTION COVER	1	
3.		CROSS HEAD SCREW	4	M5*8L
4.		WASHER	4	D5
5.		INNER HEX SCREW	4	M8*65L
6.		HEADLESS SCREW	3	M6*8L
7.	463015	CROSS LOCKING SOCKET	1	
8.	463017	CROSS LOCK CLAMPING PLATE	1	
9.		INNER HEX SCREW	4	M6*16L
10.		INNER HEX SCREW	5	M4*10L
11.	463013-1	CROSS LOCKING PLATE	1	
12.	463014	FRICTION SCREW	1	M12*15L

**C.2: CROSSWISE PROXIMITY SWITCH (2535A1)**

NO.	PART NO.	DESCRIPTION	Q'TY	SPEC.
1.	463003-1	CROSS PROXIMITY SWITCH SOCKET	1	PNP5MM PL-Q5P
2.		PROXIMITY SWITCH	2	17*17*28
3.		CROSS HEAD SCREW	4	M3*25L
4.		LIMIT SWITCH	2	Z-15GQ22-B
5.		SOCK HEAD CAP SCREW	4	M4*25L

**C.3: CROSSWISE SAFETY SWITCH (2535A2)**

NO.	PART NO.	DESCRIPTION	Q'TY	SPEC.
1.	253025	CROSS TRAVEL INDICATOR	1	
2.		SOCK HEAD CAP SCREW	2	M5*10L
3.	463016	SAFETY SWITCH FIXED PLATE	1	
4.		SOCK HEAD CAP SCREW	2	M5*10L
5.		LIMIT SWITCH	1	Z-15GQ22-B
6.		SOCK HEAD CAP SCREW	2	M4*25L

**D: CROSSWISE SCREW SET (2531B,2531C/1020)(3031B,3031C/1224)**

NO.	PART NO.	DESCRIPTION	Q'TY	SPEC.
1.	363006-1	NUT SEAT	1	
2.	253002G	CROSSWISE BALL SCREW	1	MM(2531C)
	253002H	CROSSWISE BALL SCREW	1	INCH(2531B)
	303002G	CROSSWISE BALL SCREW	1	MM(3031C)
	303002H	CROSSWISE BALL SCREW	1	INCH(3031B)
3.		SETTING KEY	1	6*6*20L
4.		SETTING KEY	1	3*3*12L
5.		SOCKET SCREW	4	M6*16L
6.		SOCKET SCREW	4	M12*35L
7.		WASHER	4	D12
8.		SPRING WASHER	4	D12
9.		OIL NOZZLE	1	T13-8*1.0

**E: CROSSWISE MOTOR SET (2534X)**

NO.	PART NO.	DESCRIPTION	Q'TY	SPEC.
1.	363049N	MOTOR FIXING PLATE	1	
2.		CROSS MOVEMENT MOTOR	1	
3.	363016X	MOTOR PULLEY	1	
4.		TIMING BELT-G	1	240J-8*20mm
5.	253015X	BIG PULLEY	1	
6.		SET SCREW	2	M5*6L
7.		SET SCREW	2	M6*10L
8.		HEX HEAD SCREW	4	M8*16L
9.		WASHER	4	D8
10.		HEX HEAD SCREW	4	M8*12L

**F: CROSSWISE SCALE RING & HAND WHEEL ( 3638,3638N )**

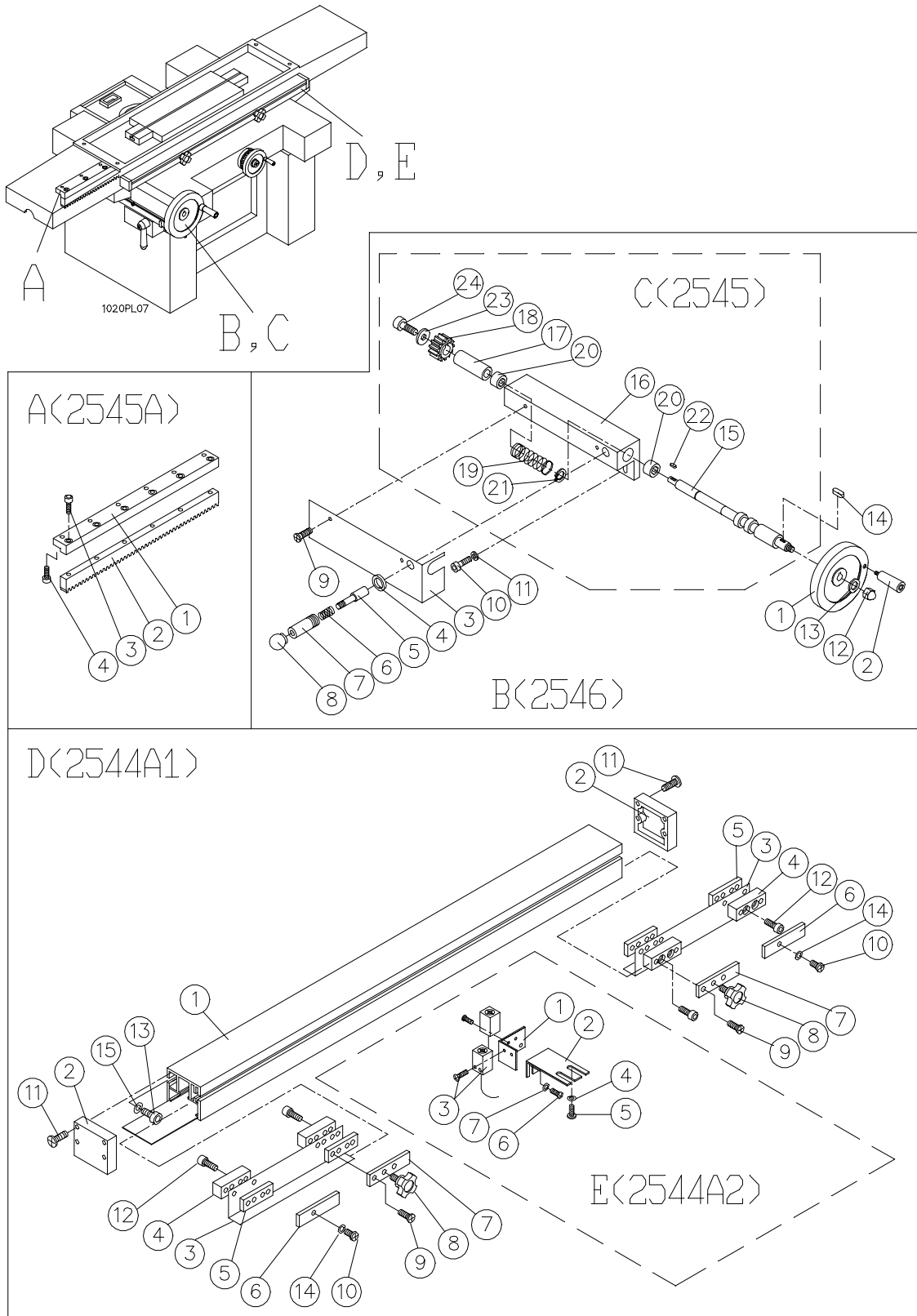
NO.	PART NO.	DESCRIPTION	Q'TY	SPEC.
1.	363014-1	SCALE INDICATING PLATE	1	
2.	253007	BEARING SEAT	1	
3.		BEARING	2	7004
4.	253026	BEARING SPACER	1	
5.	253008	BEARING LOCKING NUT	1	
6.	253009-1	BEARING BUSH	2	
7.		REAR LOCKING NUT	2	AN04
8.		HEX HEAD SCREW	1	M5*16L
9.	363011-1	FIXED DISK GEAR	1	
10.	363010A1	FEEDING SCALE RING	1	MM(2532B2)
	363010E1	FEEDING SCALE RING	1	INCH(2532A2)
11.	363050	SAFE POSITIONING PLATE	1	
12.	363053	DISK COMPRESSION SPRING	1	
13.	363009-2	HAND WHEEL	1	
14.		SETTING KEY	1	6*6*10L
15.	363051	HANDWHEEL WASHER	1	
16.	100237	FOLDING HANDLE	1	
17.		CUP NUT	1	M12
18.	363052	SPRING	1	
19.		GIB HEADED PIN	1	D9*d6*25L
20.		C-RETAINUNG RING	1	Cd26
21.		HEX HEAD SCREW	1	M6*20L
22.		HEX HEAD SCREW	1	M6*16L

**G: CROSSWISE PROTECTION SET (2538)**

NO.	PART NO.	DESCRIPTION	Q'TY	SPEC.
1.	253024	PROTECTION PLATE	1	
2.		CROSS HEAD SCREW	4	M5*8L



## TABLE LONGITUDINAL DRIVE (1020)



**TABLE LONGITUDINAL DRIVE (1020)**

**A: LONGITUDINAL RACK SET (2545A)**

NO.	PART NO.	DESCRIPTION	Q'TY	SPEC.
1.	254010	LONGITUDINAL RACK SEAT	1	
2.	254009	LONGITUDINAL RACK	1	
3.		SOCK HEAD CAP SCREW	6	M6*25L
4.		SOCK HEAD CAP SCREW	6	M6*20L

**B: LONGITUDINAL HAND WHEEL SET (2546)**

NO.	PART NO.	DESCRIPTION	Q'TY	SPEC.
1.	364012	HAND WHEEL	1	
2.	100430	HANDLE	1	
3.	254011	DRIVING SHAFT PROTECTION COVER	1	
4.		SEAL RING	1	$\phi$ 12* $\phi$ 15*3L
5.	224010	MOVABLE PIN	1	
6.	200419	COMPRESSION SPRING	1	
7.	200416	LOCATING SEAT	1	
8.	200418	PLASTIC BLACK BALL	1	
9.		CROSS HEAD SCREW	2	M6*8L
10.		INNER HEX SCREW	2	M8*20L
11.		WASHER	2	$\phi$ 8
12.		CUP NUT	1	M12
13.		WASHER	1	$\phi$ 12
14.		SETTING KEY	1	5*5*14L

**C: LONGITUDINAL TRANSMISSION SET (2545)**

NO.	PART NO.	DESCRIPTION	Q'TY	SPEC.
15.	254006	LONGITUDINAL DRIVING SHAFT	1	
16.	254005	LONGITUDINAL DRIVING SEAT	1	
17.	254007	LONGITUDINAL POSITIONING CASING	1	
18.	200405	LONGITUDINAL DRIVING GEAR	1	
19.		COMPRESSION SPRING	1	$\phi$ 1.4* $\phi$ 17.6*115mm
20.		NEEDLE BEARING	2	FJ-1712
21.		WASHER	1	C17
22.		SETTING KEY	1	4*4*12L
23.	200406-1	GEAR FIXING WASHER	1	
24.		SOCK HEAD CAP SCREW	1	M5*14L

**D: LONGITUDINAL SENSOR-DETECTED SET(2544A1)**

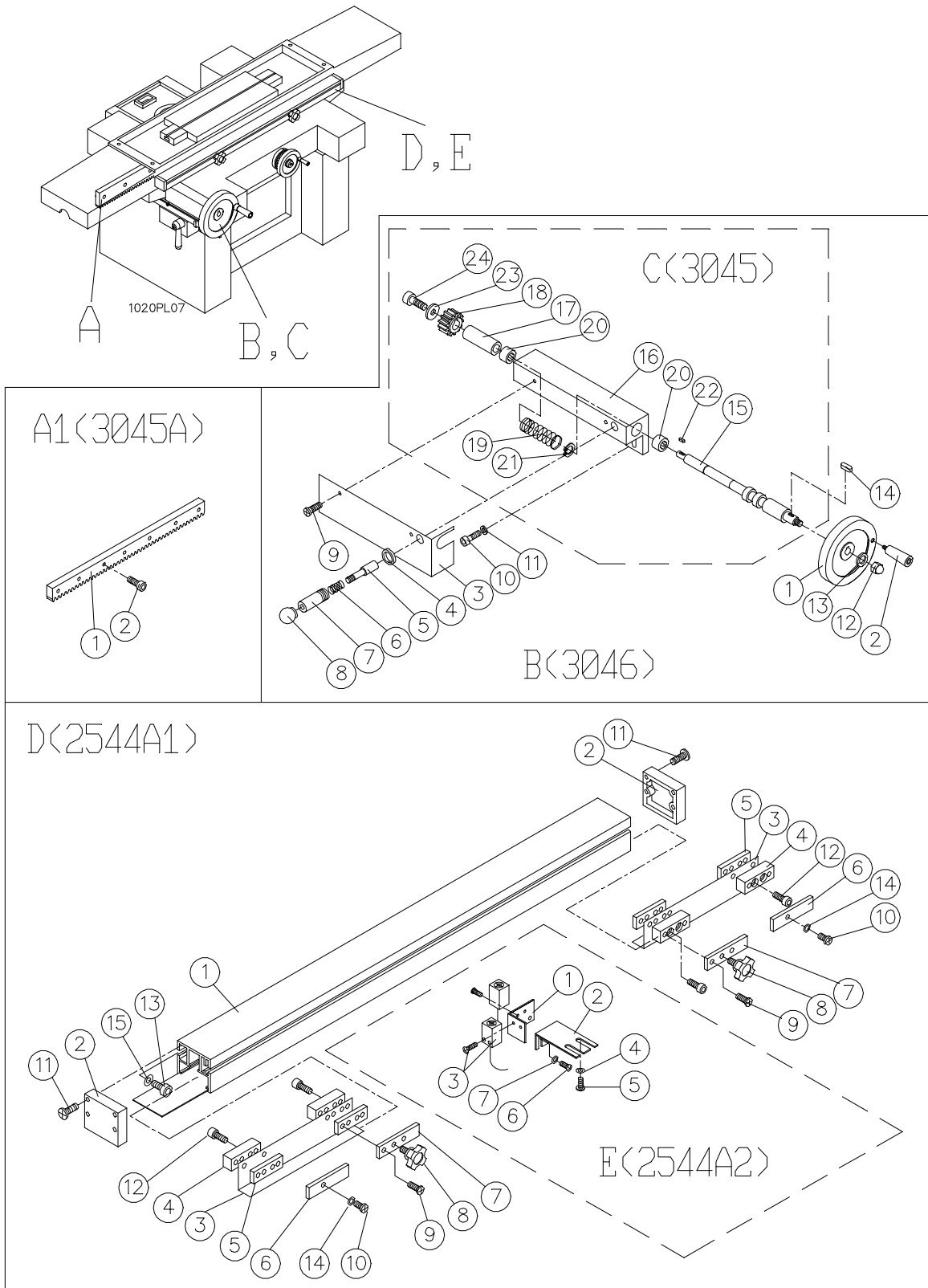
NO.	PART NO.	DESCRIPTION	Q'TY	SPEC.
1.	364004	LONGITUDINAL INDUCTION RAIL	1	
2.	200431	SIDE COVER OF INDUCTION RAIL	2	
3.	200434	LONGITUDINAL SENSOR-DETECTED SHEET	2	
4.	200432	LOCKING BLOCK OF SENSOR-DETECTED SHEET	4	

NO.	PART NO.	DESCRIPTION	Q'TY	SPEC.
5.	200427	CLAMPING BLOCK OF SENSOR-DETECTED SHEET	4	
6.	200437	LONGITUDINAL LIMIT BLOCK	2	
7.	200428-1	LONGITUDINAL SENSOR ADJUSTING BLOCK	2	
8.	200436	LOBE KNOB	2	
9.		CROSS HEAD SCREW	4	M4*20L
10.		CROSS HEAD SCREW	2	M4*8L
11.		CROSS HEAD SCREW	8	M4*16L
12.		SOCK HEAD CAP SCREW	8	M5*14L
13.		SOCK HEAD CAP SCREW	2	M6*16L
14.		SOCK HEAD PLATE WASHER	2	φ 4
15.		SOCK HEAD PLATE WASHER	2	φ 6

**E: PROXIMITY SWITCH (2544A2)**

NO.	PART NO.	DESCRIPTION	Q'TY	SPEC.
1.	254038	FIXING PLATE	1	
2.	254037	ADJUSTING PLATE	1	
3.		PROXIMITY SWITCH	2	PNP5mm(17*17*28mm)
4.		WASHER	2	φ 5
5.		CROSS HEAD SCREW	2	M5*10L
6.		CROSS HEAD SCREW	2	M4*6L
7.		WASHER	2	φ 4

# TABLE LONGITUDINAL DRIVE (1224)



**TABLE LONGITUDINAL DRIVE (1224)**

**A: LONGITUDINAL RACK SET (3045A)**

NO.	PART NO.	DESCRIPTION	Q'TY	SPEC.
1	304002	LONGITUDINAL RACK	1	
2.		SOCK HEAD CAP SCREW	7	M6*20L

**B: LONGITUDINAL HAND WHEEL SET (3046)**

NO.	PART NO.	DESCRIPTION	Q'TY	SPEC.
1.	364012	HAND WHEEL	1	
2.	100430	HANDLE	1	
3.	304005	DRIVING SHAFT PROTECTION COVER	1	
4.		SEAL RING	1	$\phi 12 * \phi 15 * 3L$
5.	224010	MOVABLE PIN	1	
6.	200419	COMPRESSION SPRING	1	
7.	200416	LOCATING SEAT	1	
8.	200418	PLASTIC BLACK BALL	1	
9.		CROSS HEAD SCREW	2	M6*8L
10.		INNER HEX SCREW	2	M8*20L
11.		WASHER	2	$\phi 8$
12.		CUP NUT	1	M12
13.		WASHER	1	$\phi 12$
14.		SETTING KEY	1	5*5*14L

**C: LONGITUDINAL TRANSMISSION SET (3045)**

NO.	PART NO.	DESCRIPTION	Q'TY	SPEC.
15.	304004	LONGITUDINAL DRIVING SHAFT	1	
16.	304003	LONGITUDINAL DRIVING SEAT	1	
17.	254007	LONGITUDINAL POSITIONING CASING	1	
18.	200405	LONGITUDINAL DRIVING GEAR	1	
19.		COMPRESSION SPRING	1	$\phi 1.4 * \phi 17.6 * 115mm$
20.		NEEDLE BEARING	2	FJ-1712
21.		WASHER	1	C17
22.		SETTING KEY	1	4*4*12L
23.	200406-1	GEAR FIXING WASHER	1	
24.		SOCK HEAD CAP SCREW	1	M5*14L

**D: LONGITUDINAL SENSOR-DETECTED SET(2544A1)**

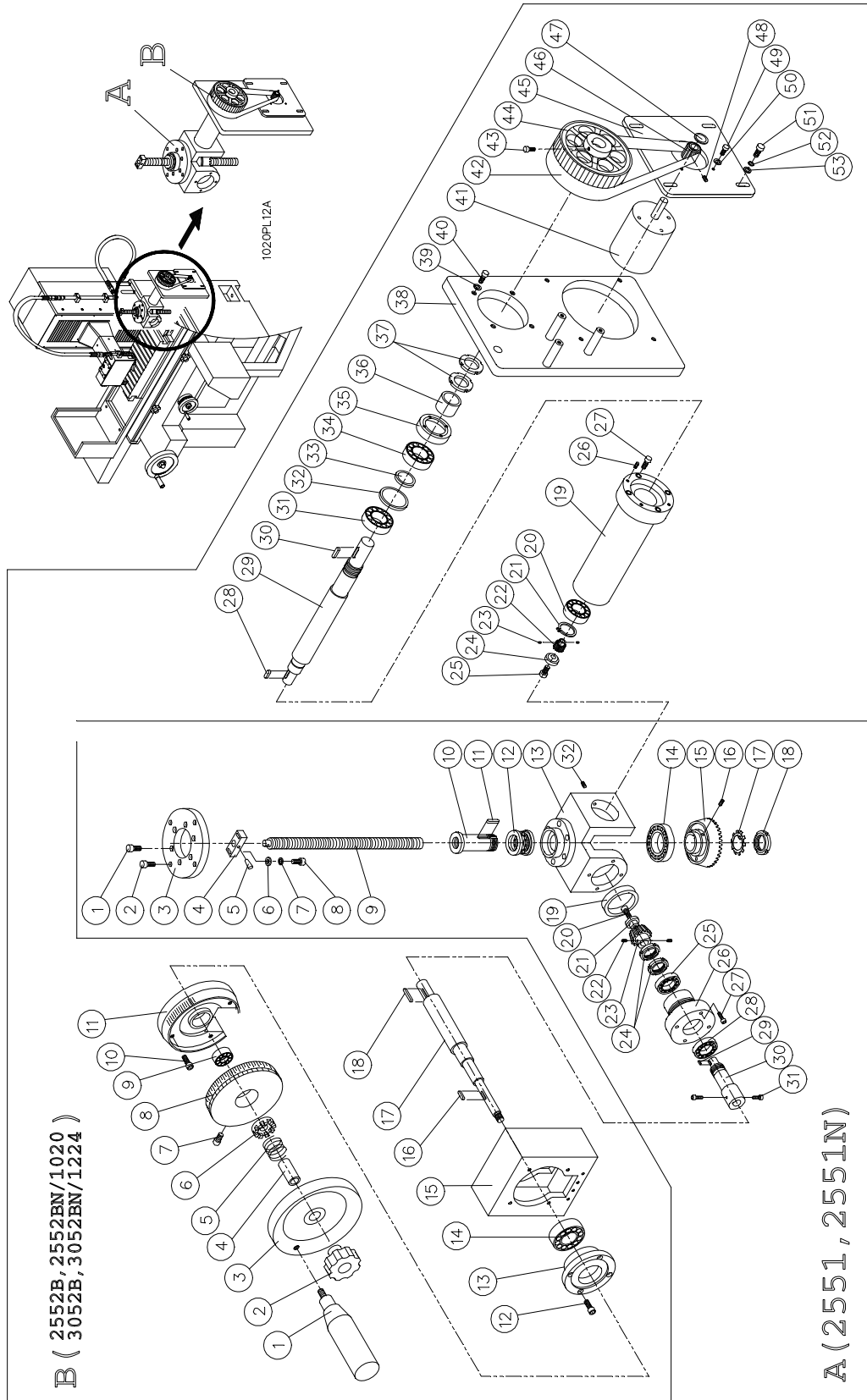
NO.	PART NO.	DESCRIPTION	Q'TY	SPEC.
1.	364004	LONGITUDINAL INDUCTION RAIL	1	
2.	200431	SIDE COVER OF INDUCTION RAIL	2	
3.	200434	LONGITUDINAL SENSOR-DETECTED SHEET	2	
4.	200432	LOCKING BLOCK OF SENSOR-DETECTED SHEET	4	
5.	200427	CLAMPING BLOCK OF SENSOR-DETECTED SHEET	4	
6.	200437	LONGITUDINAL LIMIT BLOCK	2	

NO.	PART NO.	DESCRIPTION	Q'TY	SPEC.
7.	200428-1	LONGITUDINAL SENSOR ADJUSTING BLOCK	2	
8.	200436	LOBE KNOB	2	
9.		CROSS HEAD SCREW	4	M4*20L
10.		CROSS HEAD SCREW	2	M4*8L
11.		CROSS HEAD SCREW	8	M4*16L
12.		SOCK HEAD CAP SCREW	8	M5*14L
13.		SOCK HEAD CAP SCREW	2	M6*16L
14.		SOCK HEAD PLATE WASHER	2	$\phi$ 4
15.		SOCK HEAD PLATE WASHER	2	$\phi$ 6

**E: PROXIMITY SWITCH (2544A2)**

NO.	PART NO.	DESCRIPTION	Q'TY	SPEC.
1.	254038	FIXING PLATE	1	
2.	254037	ADJUSTING PLATE	1	
3.		PROXIMITY SWITCH	2	PNP5mm(17*17*28mm)
4.		WASHER	2	$\phi$ 5
5.		CROSS HEAD SCREW	2	M5*10L
6.		CROSS HEAD SCREW	2	M4*6L
7.		WASHER	2	$\phi$ 4

### VERTICAL FEED (3A)



## VERTICAL FEED (3A)

### A:ELEVATING SCREW SET (2551,2551N)

NO.	PART NO.	DESCRIPTION	Q'TY	SPEC.
1.		SOCK HEAD CAP SCREW	6	M10*20L
2.		SOCK HEAD CAP SCREW	4	M6*25L
3.	365041	FIXING PLATE OF ELEVATING NUT	1	
4.	365004	FIXING SEAT OF SCREW SLEEVE	1	
5.		TAPER PIN	1	#4*30L
6.		WASHER	2	φ 8
7.		SPRING WASHER	2	φ 8
8.		HEADLESS SCREW	2	M8x40L
9.	255007I	HEIGHTENING ELEVATING SCREW	1	(2551)
	255007L	HEIGHTENING ELEVATING SCREW	1	(2551N)
10.	365006A	ELEVATING NUT	1	(2551)
	365006E	ELEVATING NUT	1	(2551N)
11.		DOUBLE HEAD FLATE KEY	1	8*7*30L
12.	255008	THRUST BEARING	1	51109
13.	255002	FIXING SEAT OF ELEVATING GEAR	1	
14.		BEARING	1	6012
15.	365008A	RIGHT SPIRAL BIG GEAR	1	(2251)
	365008E	RIGHT SPRING BIG GEAR	1	(2551N)
16.		SOCK HEAD CAP SCREW	1	M6*10L
17.		OUTER RING	1	AW13
18.		LOCKING NUT	1	AN13
19.	365014	REGULATING NUT	1	
20.		SOCK HEAD CAP SCREW	1	M8*22L
21.	365010	WASHER	1	
22.		HEADLESS SCREW	1	M6*8L
23.	365009A	LEFT SPIRAL PINION	1	(2551)
	365009E	LEFT SPRING PINION	1	(2551N)
24.	255004	NUT	2	AN04
25.		BEARING	1	6206
26.	255003	BEARING SEAT	1	
27.		SOCK HEAD CAP SCREW	1	M6*50L
28.		BEARING	1	6206
29.		DOUBLE HEAD FLATE KEY	1	6*3*20L
30.	255005	PINION DRIVING SHAFT	1	
31.		HEADLESS SCREW	1	M6*12L
32.		HEADLESS SCREW	1	M10x10L

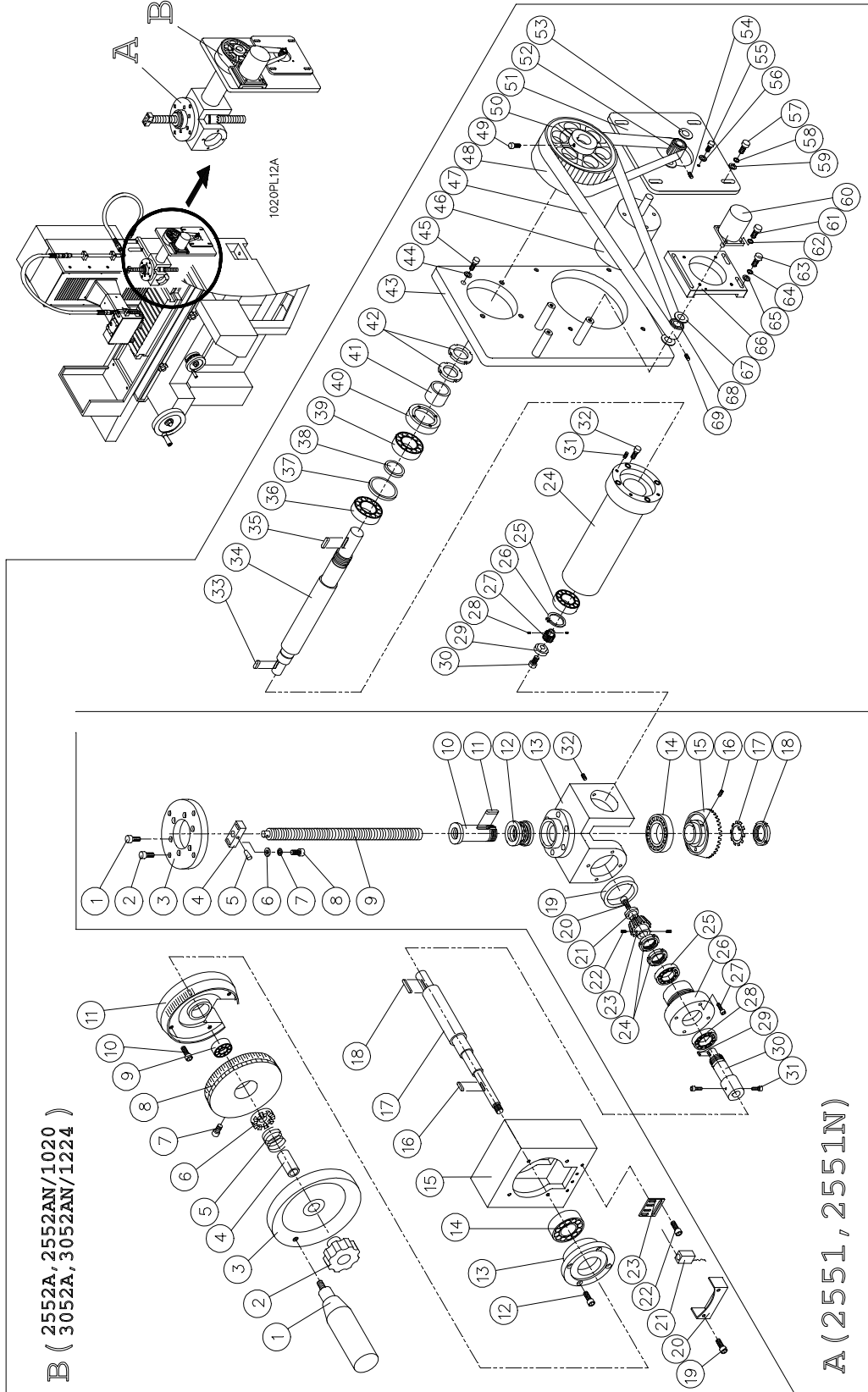


**B:ELEVATING DRIVING SET(2552B,2552BN/1020)  
(3052B,3052BN/1224)**

NO.	PART NO.	DESCRIPTION	Q'TY	SPEC.
1.	100237	HANDLE	1	
2.	365035	ELEVATING HANDLE	1	
3.	365036	ELEVATING HANDLEWHEEL	1	
4.	365034-1	LOCKING SHAFT SLEEVE	1	
5.		COMPRESSION SPRING	1	Ø1.5x Ø26.5x47L
6.	363011	FIXING DISK GEAR	1	
7.		SOCK HEAD CAP SCREW	1	M6*12L
8.	365032A1	ELEVATING SCALE RING	1	(2552A,3052A)
	365032E1	ELEVATING SCALE RING	1	(2552AN,3052AN)
9.		BEARING	1	6202
10.		SOCK HEAD CAP SCREW	4	M6*20L
11.	365031A1	ELEVATING SCALE INDICATING PLATE	1	(2552A,3052A)
	365031E1	ELEVATING SCALE INDICATING PLATE	1	(2552AN,3052AN)
12.		SOCK HEAD CAP SCREW	4	M6*30L
13.	255003	REAR BEARING SEAT	1	
14.		BEARING	1	6202
15.	305001	BEARING BOX	1	(3052A,3052AN)
	365029-1	BEARING BOX	1	(2552A,2552AN)
16.		DOUBLE HEAD FLATE KEY	1	5*5*25L
17.	255006	DRIVING SHAFT	1	(2552A,2552AN)
	305002	DRIVING SHAFT	1	(3052A,3052AN)
18.		DOUBLE HEAD FLATE KEY	1	6*6*25L
19.	255009	SUB SHAFT SLEEVE	1	
20.		BEARING	1	6205ZZ
21.		OUTER RING	1	C25
22.	365009A	LEFT SPIRAL PINION	1	(2552A,3052A)
	365009E	LEFT SPIRAL PINION	1	(2552AN,3052AN)
23.		HEADLESS SCREW	2	M6*20L
24.	365010	WASHER	1	
25.		SOCK HEAD CAP SCREW	1	M8*22L
26.		HEADLESS SCREW	4	M6*20L
27.		SOCK HEAD CAP SCREW	4	M6*35L
28.		DOUBLE HEAD FLATE KEY	1	6*6*20L
29.	255010	DRIVING SHAFT	1	
30.		DOUBLE HEAD FLATE KEY	1	8*7*20L
31.		BEARING	1	6006ZZ
32.	100105	BEARING WASHER	1	
33.	100104	BEARING WASHER	1	
34.		BEARING	1	6006ZZ
35.	100109	PRESSING PLATE	1	
36.	255011	BEARING PERSSING PLATE	1	
37.		LOCKING NUT	2	AW04

NO.	PART NO.	DESCRIPTION	Q'TY	SPEC.
38.	255014	MOTOR FIXING PLATE	1	
39.		WASHER	4	$\phi$ 8
40.		SOCK HEAD CAP SCREW	4	M8*40L
41.	255016	AC MOTOR	1	
42.	255018	PLASTIC STEEL WIRE TOOTH-FORM BELT	1	
43.		HEADLESS SCREW	2	M6x10L
44.	255012	DRIVER PULLEY	1	
45.	365062	MOTOR FIXED PLATE	1	
46.	255015	ELEVATING RAPID DRIVING PULLEY	1	
47.	200211	WASHER	2	
48.		HEADLESS SCREW	1	M5*5L
49.		SOCK HEAD CAP SCREW	4	M6*12L
50.		WASHER	4	$\phi$ 6
51.		SOCK HEAD CAP SCREW	4	M8*25L
52.		SPRING WASHER	4	$\phi$ 8
53.		WASHER	4	$\phi$ 8

# VERTICAL FEED (AHD)



## VERTICAL FEED (AHD)

### A:ELEVATING SCREW SET (2551,2551N)

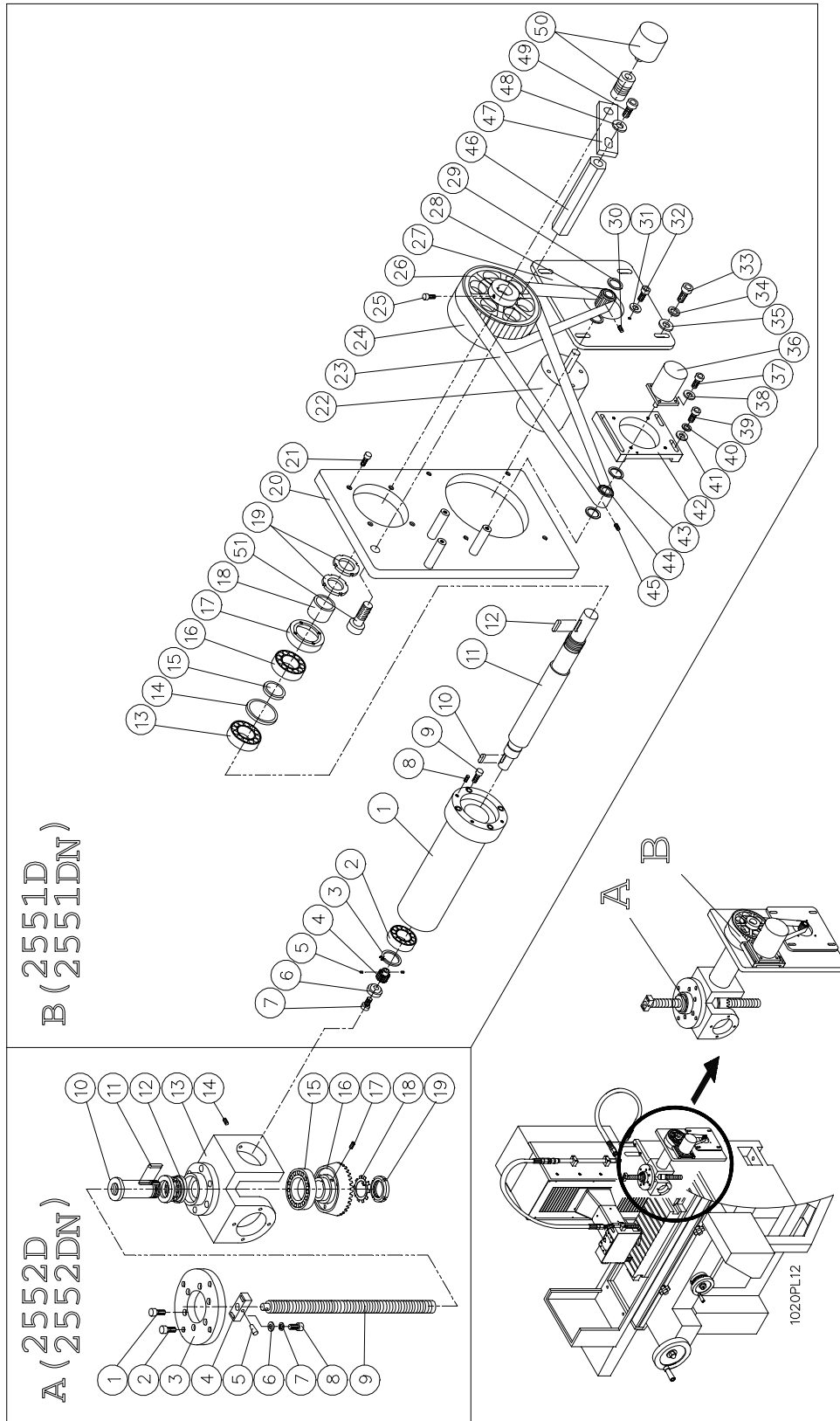
NO.	PART NO.	DESCRIPTION	Q'TY	SPEC.
1.		SOCK HEAD CAP SCREW	6	M10*20L
2.		SOCK HEAD CAP SCREW	4	M6*25L
3.	365041	FIXING PLATE OF ELEVATING NUT	1	
4.	365004	FIXING SEAT OF SCREW SLEEVE	1	
5.		TAPER PIN	1	#4*30L
6.		WASHER	2	φ 8
7.		SPRING WASHER	2	φ 8
8.		HEADLESS SCREW	2	M8x40L
9.	255007I	HEIGHTENING ELEVATING SCREW	1	(2551)
	255007L	HEIGHTENING ELEVATING SCREW	1	(2551N)
10.	365006A	ELEVATING NUT	1	(2551)
	365006E	ELEVATING NUT	1	(2551N)
11.		DOUBLE HEAD FLATE KEY	1	8*7*30L
12.	255008	THRUST BEARING	1	51109
13.	255002	FIXING SEAT OF ELEVATING GEAR	1	
14.		BEARING	1	6012
15.	365008A	RIGHT SPIRAL BIG GEAR	1	(2251)
	365008E	RIGHT SPRING BIG GEAR	1	(2551N)
16.		SOCK HEAD CAP SCREW	1	M6*10L
17.		OUTER RING	1	AW13
18.		LOCKING NUT	1	AN13
19.	365014	REGULATING NUT	1	
20.		SOCK HEAD CAP SCREW	1	M8*22L
21.	365010	WASHER	1	
22.		HEADLESS SCREW	1	M6*8L
23.	365009A	LEFT SPIRAL PINION	1	(2551)
	365009E	LEFT SPRING PINION	1	(2551N)
24.	255004	NUT	2	AN04
25.		BEARING	1	6206
26.	255003	BEARING SEAT	1	
27.		SOCK HEAD CAP SCREW	1	M6*50L
28.		BEARING	1	6206
29.		DOUBLE HEAD FLATE KEY	1	6*3*20L
30.	255005	PINION DRIVING SHAFT	1	
31.		HEADLESS SCREW	1	M6*12L
32.		HEADLESS SCREW	1	M10x10L

**B:ELEVATING DRIVING SET(2552A,2552AN/1020)  
(3052A,3052AN/1224)**

NO.	PART NO.	DESCRIPTION	Q'TY	SPEC.
1.	100237	HANDLE	1	
2.	365035	ELEVATING HANDLE	1	
3.	365036	ELEVATING HANDLEWHEEL	1	
4.	365034-1	LOCKING SHAFT SLEEVE	1	
5.		COMPRESSION SPRING	1	Ø1.5x Ø26.5x47L
6.	363011	FIXING DISK GEAR	1	
7.		SOCK HEAD CAP SCREW	1	M6*12L
8.	365032A1	ELEVATING SCALE RING	1	(2552A,3052A)
	365032E1	ELEVATING SCALE RING	1	(2552AN,3052AN)
9.		BEARING	1	6202
10.		SOCK HEAD CAP SCREW	4	M6*20L
11.	365031A1	ELEVATING SCALE INDICATING PLATE	1	(2552A,3052A)
	365031E1	ELEVATING SCALE INDICATING PLATE	1	(2552AN,3052AN)
12.		SOCK HEAD CAP SCREW	4	M6*30L
13.	255003	REAR BEARING SEAT	1	
14.		BEARING	1	6202
15.	305001	BEARING BOX	1	(3052A,3052AN)
	365029-1	BEARING BOX	1	(2552A,2552AN)
16.		DOUBLE HEAD FLATE KEY	1	5*5*25L
17.	255006	DRIVING SHAFT	1	(2552A,2552AN)
	305002	DRIVING SHAFT	1	(3052A,3052AN)
18.		DOUBLE HEAD FLATE KEY	1	6*6*25L
19.		SOCK HEAD CAP SCREW	2	M6*12L
20.	365058	COVER	1	
21.		SENSOR SWITCH	1	PNP 17x17x8
22.		SOCK HEAD CAP SCREW	2	M8*8L
23.	365057	FIXED PLATE	1	
24.	255009	SUB SHAFT SLEEVE	1	
25.		BEARING	1	6205ZZ
26.		OUTER RING	1	C25
27.	365009A	LEFT SPIRAL PINION	1	(2552A,3052A)
	365009E	LEFT SPIRAL PINION	1	(2552AN,3052AN)
28.		HEADLESS SCREW	2	M6*20L
29.	365010	WASHER	1	
30.		SOCK HEAD CAP SCREW	1	M8*22L
31.		HEADLESS SCREW	4	M6*20L
32.		SOCK HEAD CAP SCREW	4	M6*35L
33.		DOUBLE HEAD FLATE KEY	1	6*6*20L
34.	255010	DRIVING SHAFT	1	
35.		DOUBLE HEAD FLATE KEY	1	8*7*20L
36.		BEARING	1	6006ZZ
37.	100105	BEARING WASHER	1	

NO.	PART NO.	DESCRIPTION	Q'TY	SPEC.
38.	100104	BEARING WASHER	1	
39.		BEARING	1	6006ZZ
40.	100109	PRESSING PLATE	1	
41.	255011	BEARING PERSSING PLATE	1	
42.		LOCKING NUT	2	AW04
43.	255014	MOTOR FIXING PLATE	1	
44.		WASHER	4	φ 8
45.		SOCK HEAD CAP SCREW	4	M8*40L
46.	255016	AC MOTOR	1	
47.	255017	PLASTIC STEEL WIRE TOOTH-FORM BELT	1	
48.	255018	PLASTIC STEEL WIRE TOOTH-FORM BELT	1	
49.		HEADLESS SCREW	2	M6x10L
50.	255012	DRIVER PULLEY	1	
51.	365062	MOTOR FIXED PLATE	1	
52.	255015	ELEVATING RAPID DRIVING PULLEY	1	
53.	200211	WASHER	2	
54.		HEADLESS SCREW	1	M5*5L
55.		SOCK HEAD CAP SCREW	4	M6*12L
56.		WASHER	4	φ 6
57.		SOCK HEAD CAP SCREW	4	M8*25L
58.		SPRING WASHER	4	φ 8
59.		WASHER	4	φ 8
60.		SINGLE SHAFT STEPPING MOTOR	1	
61.		SOCK HEAD CAP SCREW	4	M6*12L
62.		WASHER	4	φ 6
63.		SOCK HEAD CAP SCREW	3	M6*12L
64.		SPRING WASHER	3	φ 6
65.		WASHER	3	φ 6
66.	200208-1	MOTOR FIXED PLATE	1	
67.	200211	WASHER	2	
68.	255015	ELEVATING RAPID DRIVING PULLEY	1	
69.		CROSS HEAD CAP SCREW	2	M5x5L

# VERTICAL FEED (AHDII)



## VERTICAL FEED (AHDII)

### A: VERTICAL LEADSCREW ASSEMBLY (2552D&2552DN)

NO.	PART NO.	DESCRIPTION	Q'TY	SPEC.
1.		HEADLESS SCREW	6	M10x25L
2.		HEADLESS SCREW	4	M6x25L
3.	365041	FIXING PLATE OF ELEVATING NUT	1	
4.	365004	FIXING SEAT OF SCREW SLEEVE	1	
5.		TAPER PIN	1	#4*30L
6.		WASHER	2	φ 8
7.		SPRING WASHER	2	φ 8
8.		HEADLESS SCREW	2	M8x40L
9.	255007I	HEIGHTENING ELEVATING SCREW	1	(2552D)
	255007L	HEIGHTENING ELEVATING SCREW	1	(2552DN)
10.	365006A	ELEVATING NUT	1	(2552D)
	365006E	ELEVATING NUT	1	(2552DN)
11.		DOUBLE HEAD FLATE KEY	1	8*7*30mm
12.	255008	THRUST BEARING	1	51109
13.	255002	FIXING SEAT OF ELEVATING GEAR	1	
14.		CROSS HEAD SCREW	1	
15.	255002	BEARING	1	6012
16.	365008A	RIGHT SPIRAL BIG GEAR	1	(2552D)
	365008E	RIGHT SPIRAL BIG GEAR	1	(2552DN)
17.		HEADLESS SCREW	1	M6*10L
18.		OUTER RING	1	
19.	365007	LOCKING NUT	1	

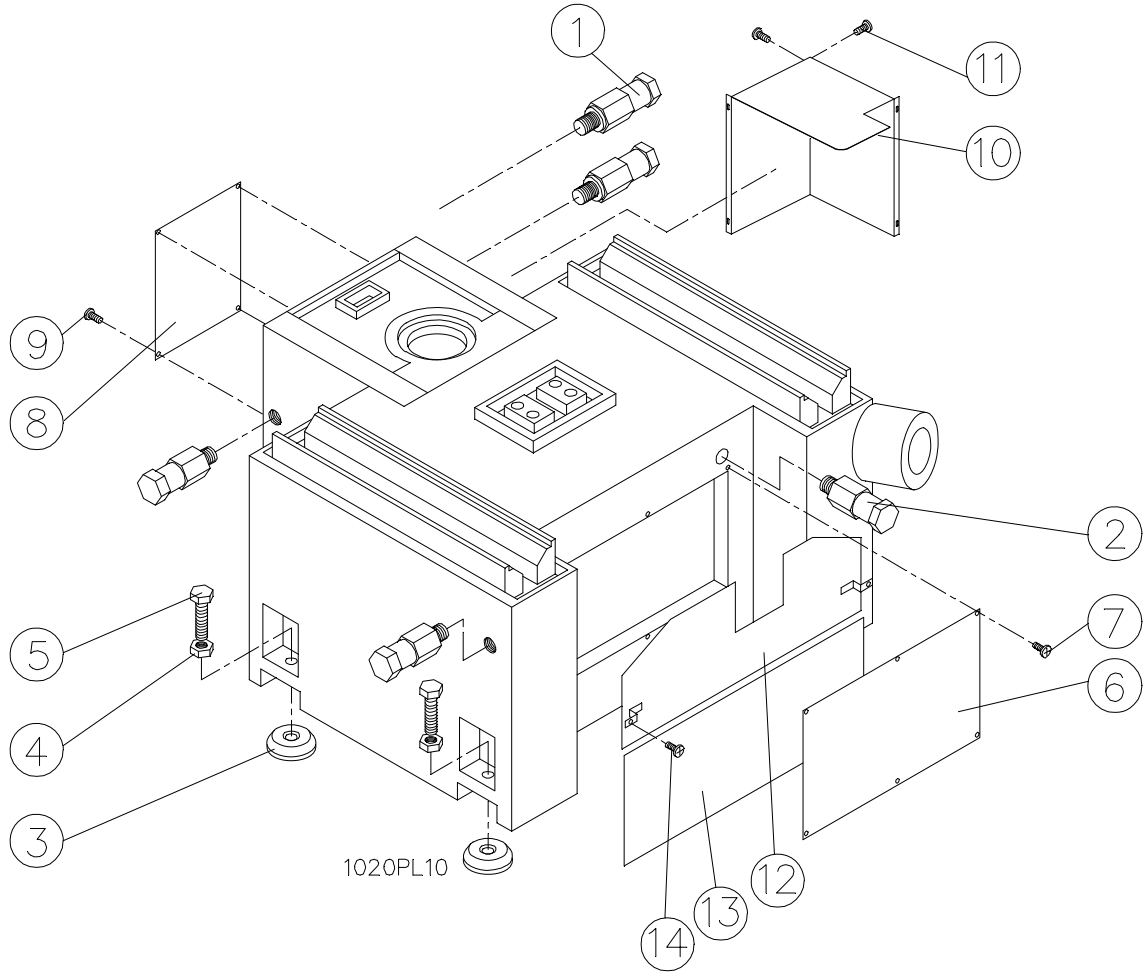
### B: VERTICAL TRANSMITTING ASSEMBLY (2551D&2551DN)

NO.	PART NO.	DESCRIPTION	Q'TY	SPEC.
1.	255009	SUB SHAFT SLEEVE	1	
2.		BEARING	1	6205ZZ
3.		OUTER RING	1	C25
4.	365009A	LEFT SPIRAL PINION	1	(2551D)
	365009E	LEFT SPIRAL PINION	1	(2551DN)
5.		HEADLESS SCREW	1	M6*20L
6.	365010	WASHER	1	
7.		SOCK HEAD CAP SCREW	2	M8*22L
8.		HEADLESS SCREW	1	M6*20L
9.		SOCK HEAD CAP SCREW	1	M6*35L
10.		DOUBLE HEAD FLATE KEY	1	6*3.5*20L
11.	255010	DRIVING SHAFT	1	
12.		DOUBLE HEAD FLATE KEY	1	8*4*20L
13.		BEARING	1	6006ZZ
14.	100105	BEARING WASHER	1	
15.	100104	BEARING WASHER	1	



NO.	PART NO.	DESCRIPTION	Q'TY	SPEC.
16.		BEARING	1	6006ZZ
17.	100109	PRESSING PLATE	1	
18.	255011	BEARING PERSSING PLATE	1	
19.	255004	WASHER	2	AN04
20.	255014	MOTOR FIXING PLATE	1	
21.		SOCK HEAD CAP SCREW	1	M6*12L
22.	255016	AC MOTOR	1	
23.		PLASTIC STEEL WIRE TOOTH-FORM BELT	1	T5*144T*25mm
24.		PLASTIC STEEL WIRE TOOTH-FORM BELT	1	T5*112T*18mm
25.		SOCK HEAD CAP SCREW	2	
26.	255012	DRIVER PULLEY	1	
27.	200208A-1	MOTOR FIXED PLATE	1	
28.	255015	ELEVATING RAPID DRIVING PULLEY	1	
29.	200211	WASHER	2	
30.		HEADLESS SCREW	2	M5*5L
31.		WASHER	4	φ 6
32.		SOCK HEAD CAP SCREW	4	M6*16L
33.		SOCK HEAD CAP SCREW	4	M8*25L
34.		SPRING WASHER	4	φ 8
35.		WASHER	4	φ 8
36.		SINGLE SHAFT STEPPING MOTOR	1	
37.		SOCK HEAD CAP SCREW	4	M6*16L
38.		WASHER	4	φ 6
39.		SOCK HEAD CAP SCREW	4	M6*25L
40.		SPRING WASHER	4	φ 6
41.		WASHER	4	φ 6
42.	200208-1	MOTOR FIXED PLATE	1	
43.	200211	WASHER	2	
44.	255013	ELEVATING RAPID DRIVING PULLEY	1	
45.		HEADLESS SCREW	2	M5*5L
46.	615925	FIXED PLATE SUPPORT	1	
47.	615926-1	ENCODER FIXED PLATE	1	
48.		WASHER	1	φ 8
49.		HEX HAND SCREW	1	M8*20L
50.		ENCODER	1	
51.		HEX HAND SCREW	1	M8*35L

# LIFTING STRUCTURE (3A/AHD)



---

## LIFTING STRUCTURE (3A/AHD)

### EYE BOLT SET (2554)

NO.	PART NO.	DESCRIPTION	Q'TY	SPEC.
1.	255029	HANGING SCREW	1	
2.	255028	HANGING SCREW	4	

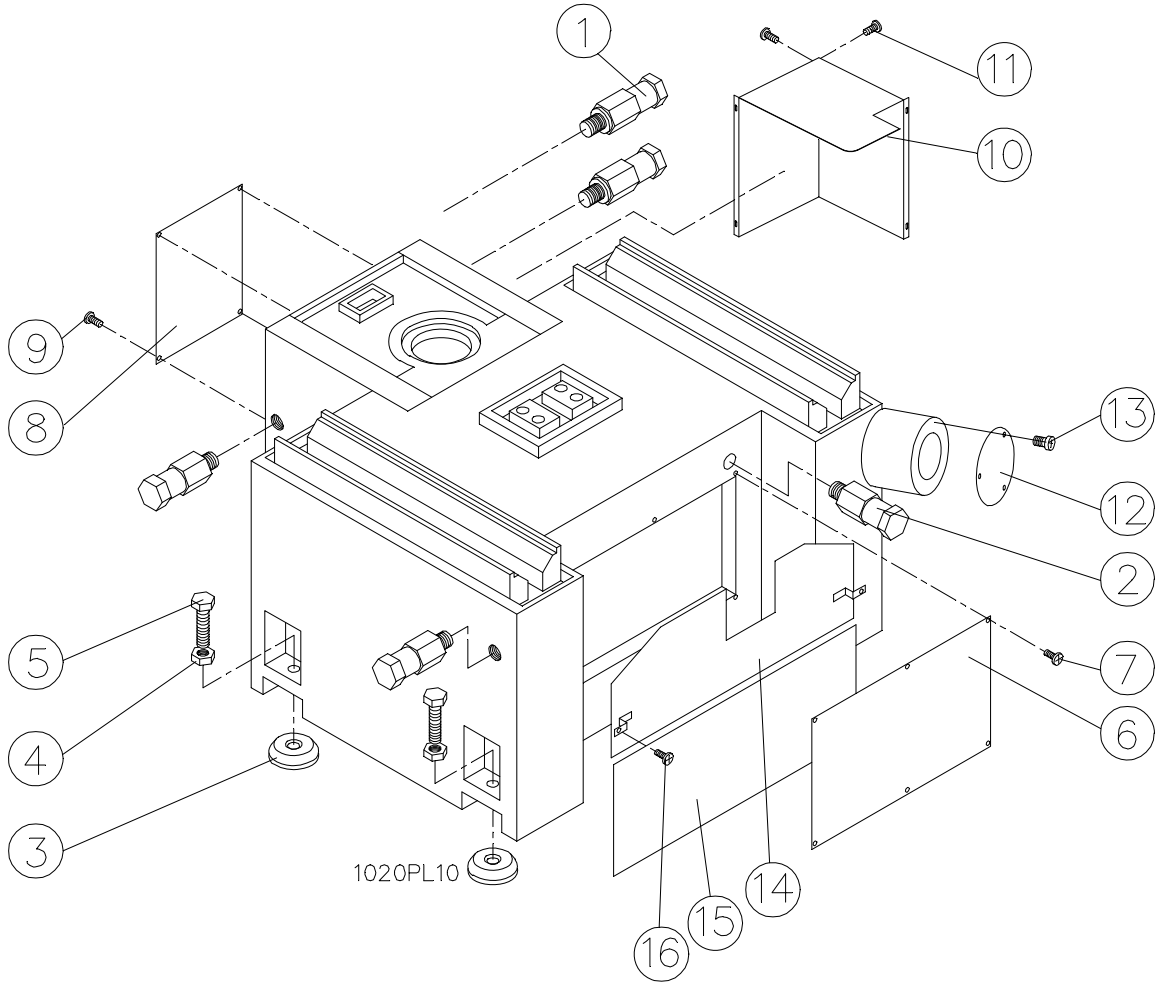
### LEVELING SCREW SET (2555)

NO.	PART NO.	DESCRIPTION	Q'TY	SPEC.
3.	100506-1	CROSS HEAD SCREW	5	
4.		HEX NUT	5	M22
5.	100505-1	FLAT-REGULATING SCREW	5	M22*P2.5*105L

### BASE ACCESSORY SET (2556A)

NO.	PART NO.	DESCRIPTION	Q'TY	SPEC.
6.	255027	BASE FRONT SEALED COVER	1	
7.		SOCKET SCREW	4	M8*10L
8.	365043	BASE REAR SEALED SCREW	1	
9.		SOCKET SCREW	4	M6*10L
10.	255019	PROTECT COVER	1	
11.		SOCKET SCREW	3	M6*10L
12.	255032	BASE OIL PLATE	1	
13.	255033	BASE OIL PLATE	1	
14.		HEADLESS SCREW	2	M6*20L

# LIFTING STRUCTURE(AHDII)



---

## LIFTING STRUCTURE(AHDII)

### EYE BOLT SET (2554)

NO.	PART NO.	DESCRIPTION	Q'TY	SPEC.
1.	255028	HANGING SCREW	4	
2.	255029	HANGING SCREW	1	

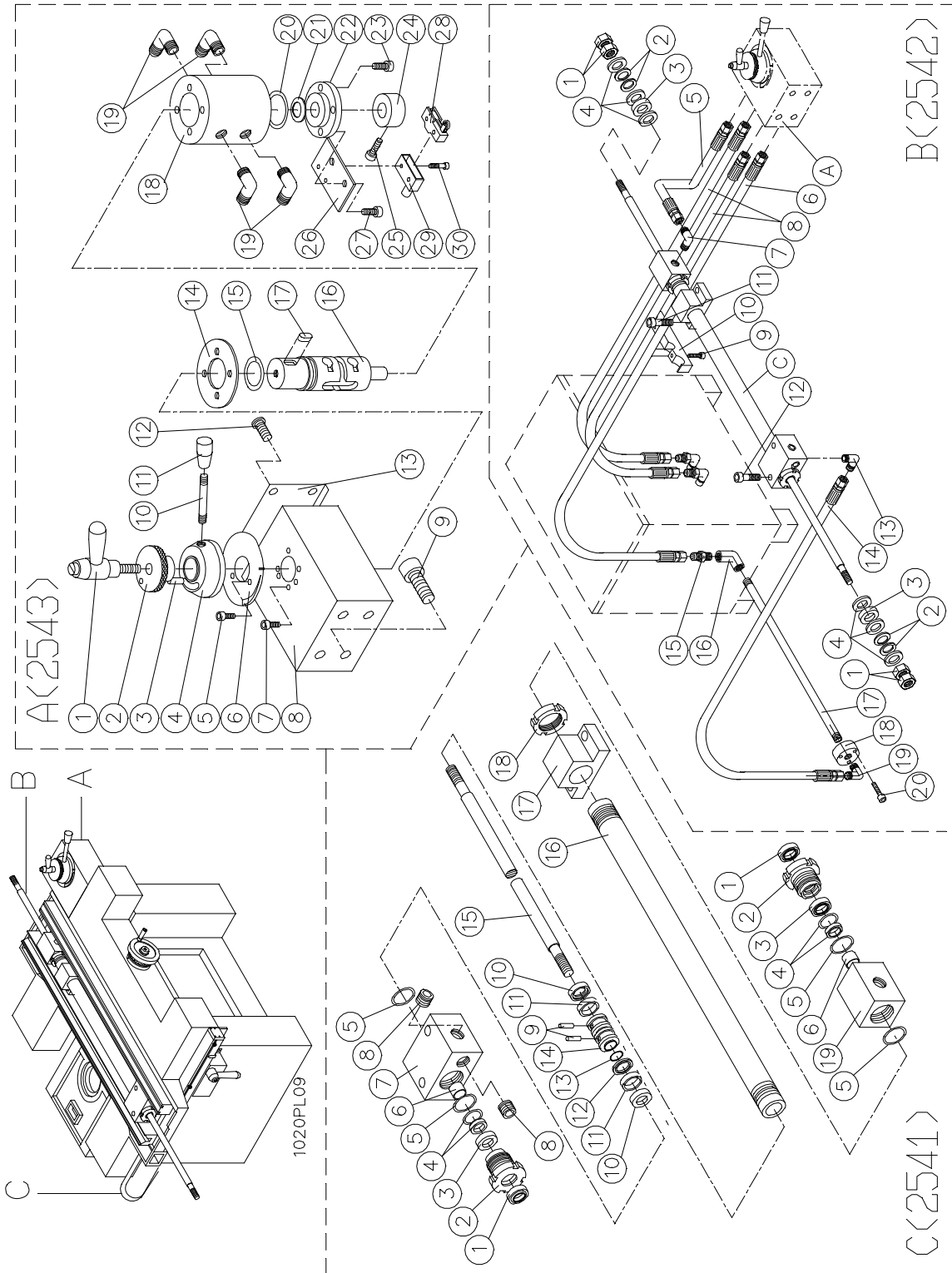
### LEVELING SCREW SET (2555)

NO.	PART NO.	DESCRIPTION	Q'TY	SPEC.
3.	100506-1	CROSS HEAD SCREW	5	
4.		HEX NUT	5	M22
5.	100505-1	FLAT-REGULATING SCREW	5	M22*P2.5*105L

### BASE ACCESSORY SET (2556B)

NO.	PART NO.	DESCRIPTION	Q'TY	SPEC.
6.	255027	BASE FRONT SEALED COVER	1	
7.		SOCKET SCREW	4	M8*10L
8.	365043	BASE REAR SEALED SCREW	1	
9.		SOCKET SCREW	4	M6*10L
10.	255019	PROTECT COVER	1	
11.		SOCKET SCREW	3	M6*10L
12.	615534	COLUMN SIDE PLATE	1	
13.		SOCKET SCREW	3	M5*10L
14.	255032	BASE OIL PLATE	1	
15.	255033	BASE OIL PLATE	1	
16.		HEADLESS SCREW	2	M6*20L

# LONGITUDINAL HYDRAULIC SYSTEM (254C/1020)



## LONGITUDINAL HYDRAULIC SYSTEM ( 254C/1020 )

### A: LONGITUDINAL THROTTLING VALVE (2543)

NO.	PART NO.	DESCRIPTION	Q'TY	SPEC.
1.		FIXED HANDLE	1	M6
2.	256019	FLOW CONTROL KNOB	1	
3.		PIN	1	D8*50L
4.	256018	FLOW SWITCH	1	
5.		SOCKET SCREW	2	M6*10L
6.	101062B	THROTTLING VALVE PANEL	1	
7.		SOCKET SCREW	4	M6*20L
8.	256014-3	THROTTLING VALVE SEAT	1	
9.		SOCKET SCREW	4	M8*20L
10.	366023	THROTTLING HANDLE BAR	1	
11.	200612	THROTTLING HANDLE HEAD	1	
12.		CROSS HEAD SCREW	4	M5*8L
13.	366023	THROTTILING SEAT REAR COVER	1	
14.	256017	UPPER COVER PLATE OF THROTTLING SEAT	1	
15.		O-RING	1	P42
16.	256016	THROTTLING VALVE SHAFT	1	
17.		DOUBLE HEAD FLAT KEY	1	6*6*10L
18.	256015	THROTTLING VALVE BODY	1	
19.		HIGH PRESSURE PIPE 90°CONNECTION	4	1/2PT*1/2PH
20.		O-RING	1	P48
21.		DISC WASHER	1	φ 14.3
22.	366017	THROTTLING VALVE REAR COVER	1	
23.		SOCKET SCREW	2	M5*15L
24.	200317-1	CROSSWISE SETTING BLOCK	1	
25.		SOCKET SCREW	1	M6*15L
26.	256020	SAFETY SWITCH SEAT	1	
27.		SOCKET SCREW	2	M5*15L
28.		SAFETY SWITCH	1	
	Z15GW2B			
29.		LIMIT SWITCH COVER	1	CB-1
30.		SOCKET SCREW	2	M4*25L

### B: HYDRAULIC PIPING (2542/1020)

NO.	PART NO.	DESCRIPTION	Q'TY	SPEC.
1.		HEX SOCKET NUT	4	M16
2.		DISC WASHER	4	D16*D32*1.5T
3.	256011	RECOIL CUSHION	2	
4.	256010	WASHER	6	
5.		HIGH PRESSURE PIPE	1	1/2PH*460L
6.		HIGH PRESSURE PIPE	1	1/2PH*1610L
7.		HIGH PRESSURE PIPE 90°CONNECTION	1	3/8PT*1/2PH
8.		HIGH PRESSURE PIPE	2	1/2PH*1610L

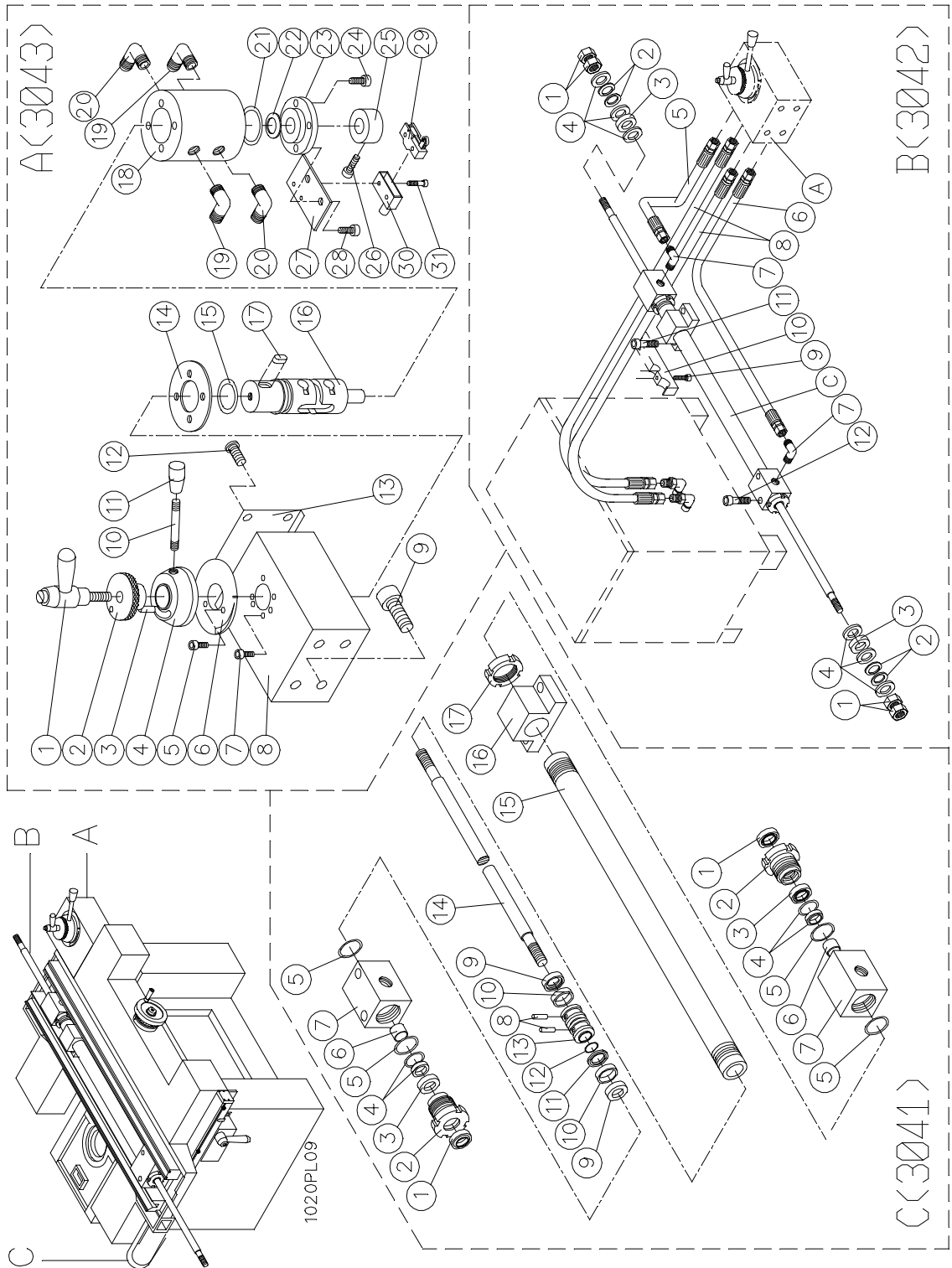
NO.	PART NO.	DESCRIPTION	Q'TY	SPEC.
9.		SOCKET SCREW	2	M6*30L
10.	256012	FIXED OIL PIPE SOCKET	1	
11.		SOCKET SCREW	2	M8*35L
12.		SOCKET SCREW	2	M8*65L
13.		HIGH PRESSURE PIPE 90°CONNECTION	1	3/8PT*3/8PH*40L
14.		HIGH PRESSURE PIPE	1	3/8PH*1460L
15.		HIGH PRESSURE PIPE CONNECTION	1	1/2PH*1/2PT
16.		PIPE ELBOW	1	1/2PT*1/2PT
17.	256024	OIL PIPE	1	
18.	256022	HIGH PRESSURE PIPE CONNECTION BOARD	1	
19.		HIGH PRESSURE PIPE 90°CONNECTION	1	1/2PT*3/8PH
20.		SOCKET SCREW	3	M6*30L
A.	2543	LONGITUDINAL THROTTLING VALVE	1	
C.	2541	LONGITUDINAL HYDRAULIC CYLINDER SET	1	

**C: LONGITUDINAL HYDRAULIC CYLINDER SET (2541/1020)**

NO.	PART NO.	DESCRIPTION	Q'TY	SPEC.
1.		DUST RING	2	DU18
2.	256009	OIL SEAL SEAT	2	
3.		OIL SEAL	2	UHS 18
4.		OIL SEAL	2	GSW 18
5.		O-RING	4	P-38
6.		LUBRICATING BEARING	2	DU18*10L
7.	256003-1	LEFT HYDRAULIC CYLINDER TOP HEAD	1	
8.		HOLE PLUG	2	1/2"PT
9.		TAPER PIN	2	#5*25L
10.	256008-1	ANTI-COLLISION SLEEVE	2	
11.		ANTI-COLLISION RING	2	WRS-8
12.		OIL SEAL	1	GSP-32
13.		O-RING	1	P18
14.	256007-1	PISTON	1	
15.	256002	PISTON ROD	1	
16.	256001-1	HYDRAULIC PIPE	1	
17.	256006-1	FIXING RING OF HYDRAULIC CYLINDER	1	
18.	256005-1	LOCK NUT	1	AN08
19.	256004-1	RIGHT HYDRAULIC CYLINDER TOP HEAD	1	



# LONGITUDINAL HYDRAULIC SYSTEM (304C/1224)



## LONGITUDINAL HYDRAULIC SYSTEM (304C/1224)

### A: LONGITUDINAL THROTTLING VALVE (3043)

NO.	PART NO.	DESCRIPTION	Q'TY	SPEC.
1.		FIXED HANDLE	1	M6
2.	256019	FLOW CONTROL KNOB	1	
3.		PIN	1	D8*50L
4.	256018	FLOW SWITCH	1	
5.		SOCKET SCREW	2	M6*10L
6.	101062B	THROTTLING VALVE PANEL	1	
7.		SOCKET SCREW	4	M6*20L
8.	256014-3	THROTTLING VALVE SEAT	1	
9.		SOCKET SCREW	4	M8*20L
10.	366023	THROTTLING HANDLE BAR	1	
11.	200612	THROTTLING HANDLE HEAD	1	
12.		CROSS HEAD SCREW	4	M5*8L
13.	366027	THROTTLING SEAT REAR COVER	1	
14.	256017	UPPER COVER PLATE OF THROTTLING SEAT	1	
15.		O-RING	1	P42
16.	256016	THROTTLING VALVE SHAFT	1	
17.		DOUBLE HEAD FLAT KEY	1	6*6*10L
18.	256015	THROTTLING VALVE BODY	1	
19.		HIGH PRESSURE PIPE 90° CONNECTION	4	1/2PT*1/2PH
20.		HIGH PRESSURE PIPE 90° CONNECTION	4	1/2PT*3/4PH
21.		O-RING	1	P48
22.		DISC WASHER	1	D14
23.	366017	THROTTLING VALVE REAR COVER	1	
24.		SOCKET SCREW	2	M5*15L
25.	200317	CROSSWISE SETTING BLOCK	1	
26.		SOCKET SCREW	1	M6*15L
27.	256020	SAFETY SWITCH SEAT	1	
28.		SOCKET SCREW	2	M5*15L
29.		SAFETY SWITCH	1	Z15GW2B
30.		LIMIT SWITCH COVER	1	CB-1
31.		SOCKET SCREW	2	M4*25L

### B: HYDRAULIC PIPING (3042)

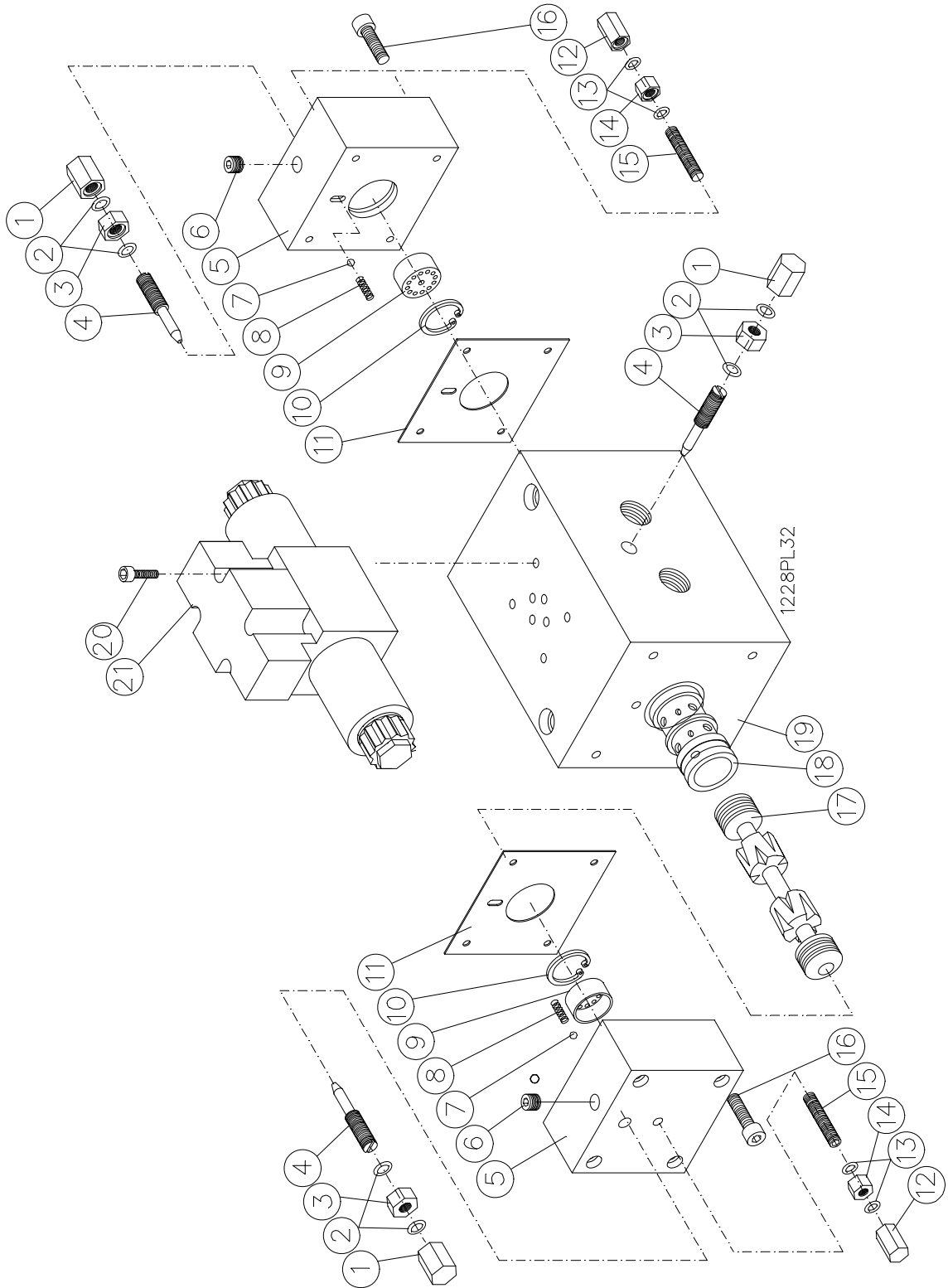
NO.	PART NO.	DESCRIPTION	Q'TY	SPEC.
1.		HEX SOCKET NUT	4	M16
2.		DISC WASHER	4	D16*D32*1.5T
3.	256011	RECOIL CUSHION	2	
4.	256010	WASHER	6	
5.		HIGH PRESSURE PIPE	1	1/2PH*460L
6.		HIGH PRESSURE PIPE	2	1/2PH*1610L
7.		HIGH PRESSURE PIPE 90° CONNECTION	2	3/8PT*1/2PH
8.		HIGH PRESSURE PIPE	1	1/2PH*1250L

NO.	PART NO.	DESCRIPTION	Q'TY	SPEC.
9.		SOCKET SCREW	2	M6*35L
10.	256012	HIGH PRESSURE PIPE CONNECTION	1	
11.		SOCKET SCREW	2	M8*35L
12.		CROSS HEAD SCREW	2	M8*65L
A.	3043	LONGITUDINAL THROTTLING VALVE	1	
C.	3041	LONGITUDINAL HYDRAULIC CYLINDER SET	1	

**C: LONGITUDINAL HYDRAULIC CYLINDER SET (3041/1224)**

NO.	PART NO.	DESCRIPTION	Q'TY	SPEC.
1.		DUST RING	2	DU18
2.	256009	OIL SEAL SEAT	2	
3.		OIL SEAL	2	UHS 18
4.		OIL SEAL	2	GSW 18
5.		O-RING	4	P-38
6.		LUBRICATING BEARING	2	DU18*10L
7.	256003-1	LEFT HYDRAULIC CYLINDER TOP HEAD	2	
8.		HOLE PLUG	2	1/2"PT
9.		TAPER PIN	2	#5*25L
10.	256008-1	ANTI-COLLISION SLEEVE	2	
11.		ANTI-COLLISION RING	2	WRS-8
12.		OIL SEAL	1	GSP-32
13.		O-RING	1	P18
14.	256007-1	PISTON	1	
15.	304006	PISTON ROD	1	
16.	304007	HYDRAULIC PIPE	1	
17.	256006-1	FIXING RING OF HYDRAULIC CYLINDER	1	
18.	256005-1	LOCK NUT	1	AN08

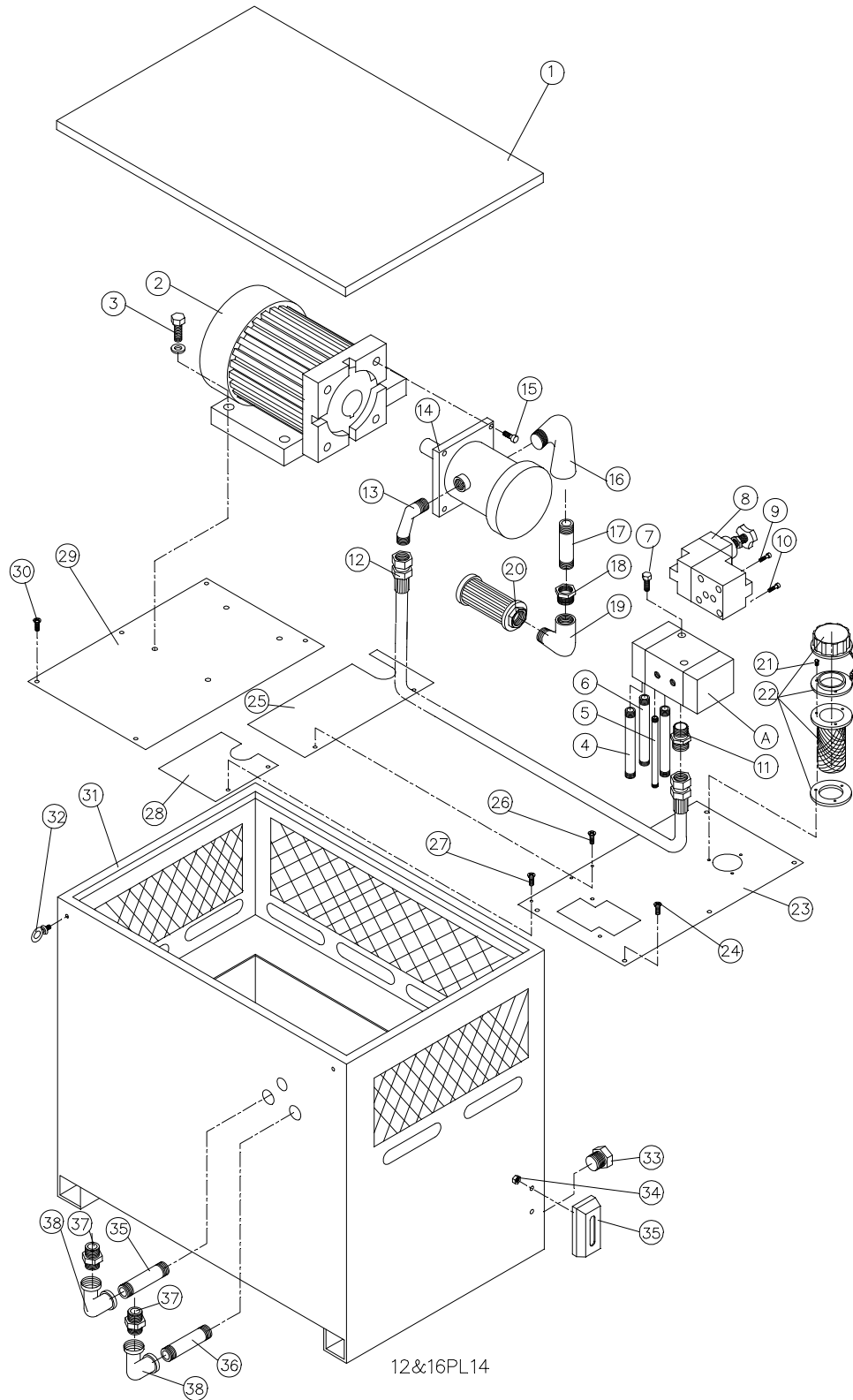
# TABLE REVERSING ARRANGEMENT (3661)



**TABLE REVERSING ARRANGEMENT (3661)**

NO.	PART NO.	DESCRIPTION	Q'TY	SPEC.
1.	366012	LEAK-PROOF NUT	3	
2.		O-RING	6	P10
3.	366011	FIXING NUT	3	
4.	366010	SMALL THROTTLING SHAFT	3	
5.	366008	SIDE COVER OF REVERSING BODY	2	
6.		HOLE PLUG	2	1/8PT
7.		STEEL BALL	2	φ 5
8.	366028	SPRING	2	φ 5x φ 0.5x18L
9.	366009	TOP BLOCK OF REVERSING SHAFT	2	
10.		INNER RETAINING RING	2	φ 28
11.		ASBESTOS GASKET	2	95*90*1
12.	366014	LEAK-PROOF NUT	2	
13.		O-RING	4	P8
14.	366013	FIXING NUT	2	
15.		HEADLESS SCREW	2	M8*40L
16.		SOCK HEAD CAP SCREW	8	M6*40L
17.	366007	REVERSING SHAFT	1	
18.	366006	REVERSING SHAFT SLEEVE	1	
19.	366005-1	REVERSING SHAFT BODY	1	
20.		SOCK HEAD CAP SCREW	4	M5*45L
21.		SOLENOID VALVE	1	DV24V

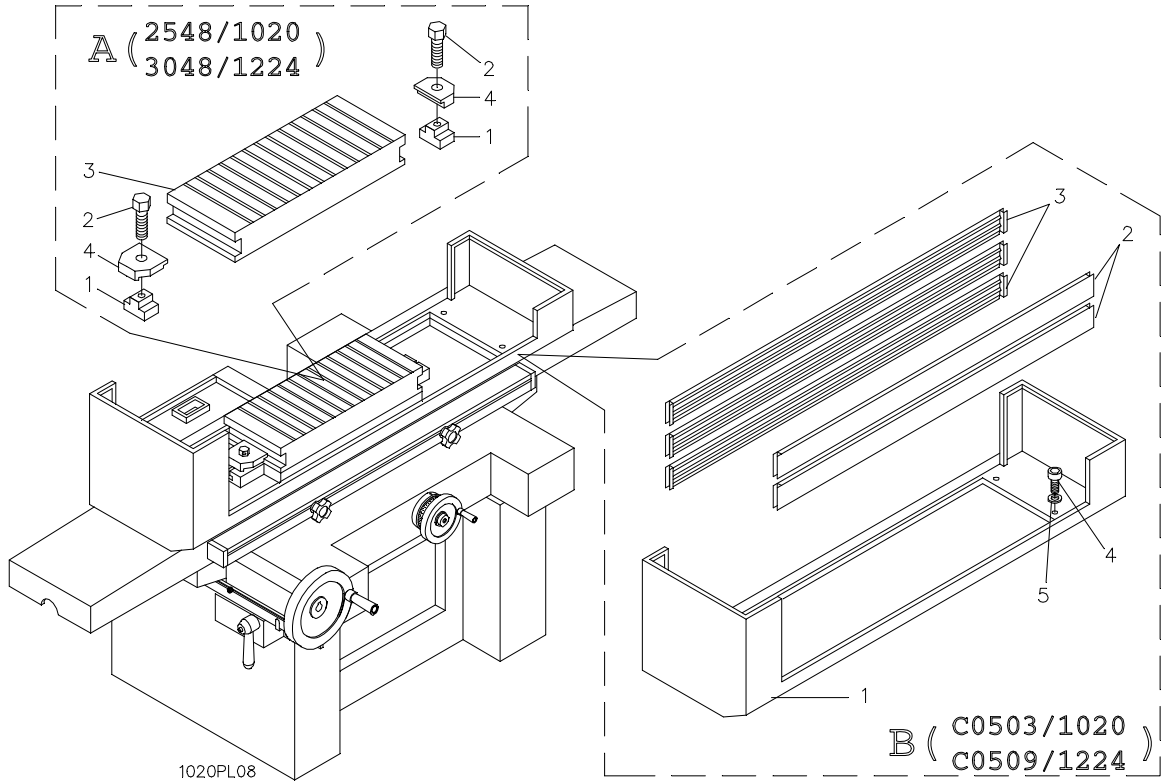
# HYDRAULIC TANK SYSTEM ( 256 )



## HYDRAULIC TANK SYSTEM ( 256 )

NO.	PART NO.	DESCRIPTION	Q'TY	SPEC.
1.	366002	UPPER PROTECTION COVER OF OIL TANK	1	
2.		HYDRAULIC MOTOR	1	2HP6P
3.		HEX SOCKET SCREW	4	M10*20L
4.		STRAIGHT CONNECTION PIPE	1	1/2PT*6L
5.		STRAIGHT CONNECTION PIPE	1	1/8PT*6L
6.		STRAIGHT CONNECTION PIPE	2	3/8PT*6L
7.		SOCK HEAD CAP SCREW	2	M8x110L
8.		PRESSURE-REGULATING VALVE	1	1/2"
9.		SOCK HEAD CAP SCREW	2	M16*90L
10.		SOCK HEAD CAP SCREW	2	M16x70L
11.		HIGH PRESSURE PIPE CONNECTION	1	1/2"PTx3/4"PH
12.		HIGH PRESSURE PIPE	1	3/4"*570L
13.		HIGH PRESSURE PIPE CONNECTION	1	3/4"PT*3/4"PH
14.		HYDRAULIC PUMP	1	30CC/
15.		SOCK HEAD CAP SCREW	4	M10*30L
16.		PIPE ELBOW	1	1PT
17.		STRAIGHT CONNECTION PIPE	1	1"PTx5L
18.		TRANSFER CONNECTION	1	1PTx1.5PT
19.		PIPE ELBOW	1	1.5"PT
20.		OIL FILTER	1	1.5" PT
21.		CROSS HEAD SCREW	3	3/16"W*0.5"L
22.		OIL-FEEDING FILTER	1	50
23.	366043	DIRECTIONAL VALVE FIXED PLATE	1	
24.		SOCK HEAD CAP SCREW	4	M6x15L
25.	366041	OIL TANK SUB-COER	1	
26.		CROSS HEAD SCREW	2	M6x15L
27.		CROSS HEAD SCREW	2	M6x15L
28.	366042	OIL TANK SUB-COVER B	1	
29.	366003-3	FIXING PLATE	1	
30.		CROSS HEAD SCREW	5	M6x15L
31.	366001-1	OIL TANK	1	
32.		HANGING RING	4	5/16"W
33.		HOLE PLUG	2	1/2PT
34.		NUT	2	
35.		OIL LEVER GAME	1	3"
36.		STRAIGHT PIPE CONNECTION	2	1/2"PT*3.5"L
37.		HIGH PRESSURE PIPE CONNECTION	2	1/2"PT*3/4"PH
38.		PIPE ELBOW	2	1/2"PT
A.	3661	TABLE REVERSING ARRANGEMENT(Ref.PL-13)	1	

## CHUCK & SPLASH GUARD



## CHUCK & SPLASH GUARD

### A: CHUCK (2548/1020,3048/1224) OPTIONAL

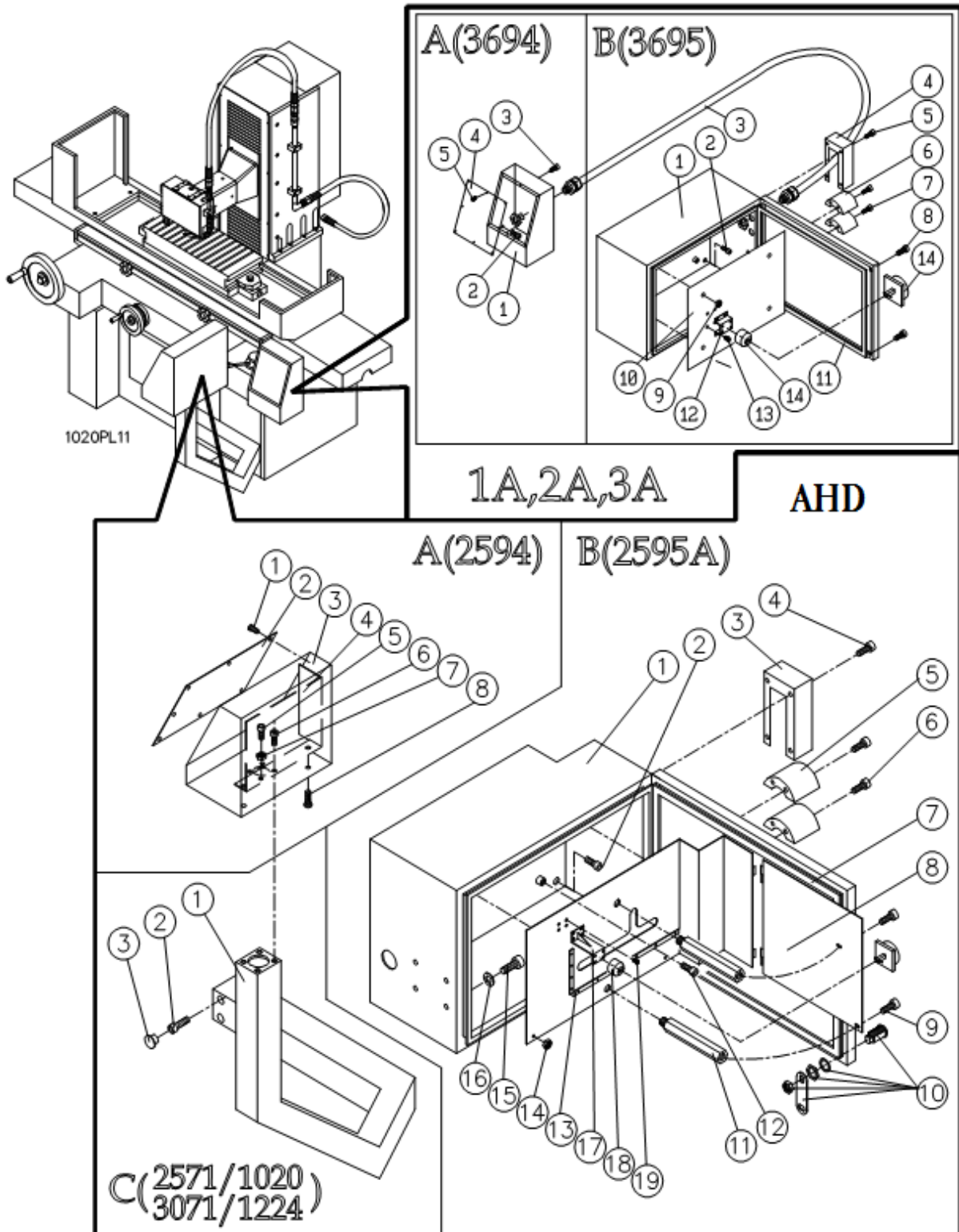
NO.	PART NO.	DESCRIPTION	Q'TY	SPEC.
1.	364034-1	T-NUT	2	
2.		HEXAGON HEAD SCREW	2	M12*55L
3.		CHUCK(250*500MM)	1	2548
3.		CHUCK(300*600MM)	1	3048
4.		CHUCK FIXING BLOCK	2	

### B: SPLASH GUARD (C0503/1020,C0509/1224) OPTIONAL

NO.	PART NO.	DESCRIPTION	Q'TY	SPEC.
1.	254024-1	SPLASH GUARD	1	C0503
1.	304010	SPLASH GUARD	1	C0509
2.	254025	FRONT WATER-PROOF MOVABLE PLATE	2	C0503
2.	304008	FRONT WATER-PROOF MOVABLE PLATE	2	C0509
3.	254026	WATER PROOF MOVABLE PLATE	3	C0503
3.	304009	WATER PROOF MOVABLE PLATE	3	C0509
4.		SOCK HEAD CAP SCREW	4	M8*20L
5.		WASHER	4	D8



# ELECTRICAL AND CONTROL BOX(3A/AHD)



---

## ELECTRICAL AND CONTROL BOX (3A)

### A: ELECTRICAL AND CONTROL BOX(3694)

NO.	PART NO.	DESCRIPTION	Q'TY	SPEC.
1.	389015-2	CONTROL BOX	1	
2.		SOCK HEAD SCREW	2	M5*20L
3.		SOCK HEAD SCREW	2	M8*14L
4.	101088	CONTROL PANEL	1	
5.		CROSS HEAD SCREW	8	M4*10L

### B: ELECTRIC BOX SET(3695)

NO.	PART NO.	DESCRIPTION	Q'TY	SPEC.
1.	389001-1	ELECTRICAL BOX	1	
2.		SOCK HEAD CAP SCREW	1	M8*12L
3.		CONVEY FLEXIBLE CONDUIT	1	
4.	389026-1	SPLASH COVER	1	
5.		SOCK HEAD CAP SCREW	4	M4*15L
6.	200907	SPLASH COVER	2	
7.		SOCK HEAD CAP SCREW	2	M4*15L
8.		SOCK HEAD CAP SCREW	2	M6*25L
9.		NUT	4	M8
10.	259004	ELECTRICAL FIXING PLATE	1	
11.		RUBBER	1	
12.	389019E	BLOCK PLATE	1	
13.		SOCK HEAD CAP SCREW	4	M5*10L
14.		DOOR LOCK	1	

---

## ELECTRICAL AND CONTROL BOX (AHD)

### A: CONTROL BOX SET(2594)

NO.	PART NO.	DESCRIPTION	Q'TY	SPEC.
1.		CROSS HEAD SCREW	8	M5*10L
2.	101105E	CONTROL PANEL	1	
3.	259003	CONTROL BOX	1	
4.	259004	FIXING STAND OF PC BOARD	1	
5.		SOCK HEAD CAP SCREW	1	M6x35L
6.		SOCK HEAD CAP SCREW	3	M6x16L
7.		NUT	1	M6
8.		SOCK HEAD CAP SCREW	2	M6x14L

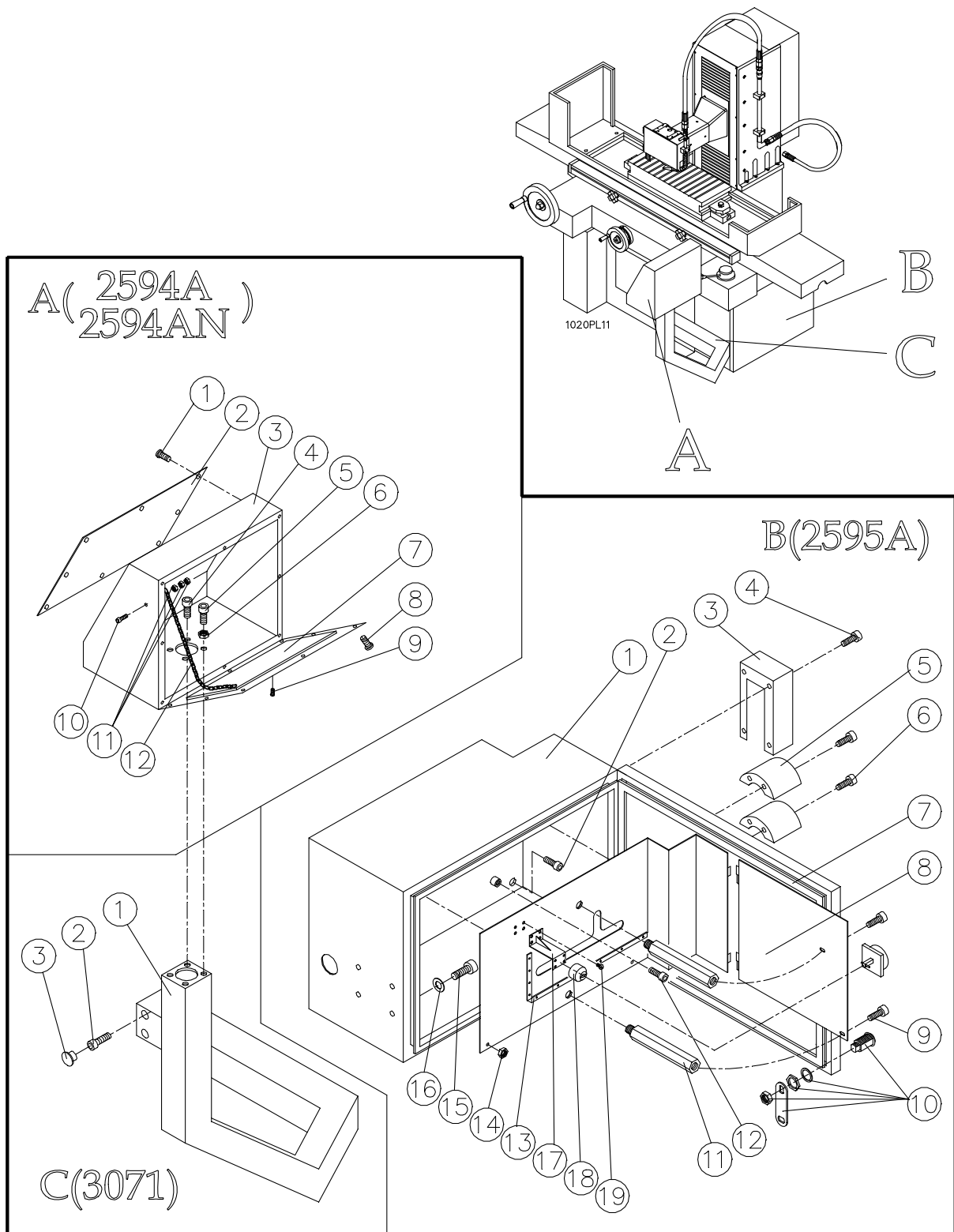
### B: ELECTRIC BOX SET (2595A)

NO.	PART NO.	DESCRIPTION	Q'TY	SPEC.
1.	259001E	ELECTRICAL BOX	1	
2.		SOCK HEAD CAP SCREW	4	M8*12L
3.	389026-1	SPLASH COVER	1	
4.		SOCK HEAD CAP SCREW	4	M4*12L
5.	200907	SPLASH COVER	2	
6.		SOCK HEAD CAP SCREW	4	M4*12L
7.		RUBBER	1	
8.	259002E	ELECTRICAL FIXING PLATE	1	
9.		SOCK HEAD CAP SCREW	2	M6*25L
10.		LOCK	2	
11.	389030F	COPPER BAR	2	200L
12.		SOCK HEAD CAP SCREW	4	M8*16L
13.	259010	ELECTRIC BOX GROUND STRAP	1	
14.		NUT	4	M8
15.		SOCK HEAD CAP SCREW	1	M6*14L
16.		WASHER	1	φ 6
17.	389019E	BLOCK PLATE	1	
18.		DOOR LOCK	1	
19.		SOCK HEAD CAP SCREW	4	M5x10L

### C: SUPPORT ARM SEAT SET(2571/1020) (3071/1224)

NO.	PART NO.	DESCRIPTION	Q'TY	SPEC.
1.	259005	CONTROL BOX SUPPORT ARM	1	(2571)
	309001	CONTROL BOX SUPPORT ARM	1	(3071)
2.		HOLE PLUG	2	HP-19
3.		SOCK HEAD CAP SCREW	2	M8*14L

# ELECTRICAL AND CONTROL BOX(AHDII)



## ELECTRICAL AND CONTROL BOX(AHDII)

### A: CONTROL BOX SET(2594A)(2594AN)

NO.	PART NO.	DESCRIPTION	Q'TY	SPEC.
1.		CROSS HEAD SCREW	12	M5*10L
2.	101082E1	CONTROL PANEL (MM)	1	(2594A)
	101082E2	CONTROL PANEL (INCH)	1	(2594AN)
3.	389011E1	CONTROL BOX	1	
4.		SOCK HEAD CAP SCREW	3	M6x16L
5.		SOCK HEAD CAP SCREW	1	M6x35L
6.		NUT	1	M6
7.	389031E1	COVER	1	
8.		CROSS HEAD SCREW	7	M5*10L
9.		CROSS HEAD SCREW	5	M5*10L
10.		SOCK HEAD CAP SCREW	1	M5*25L
11.		NUT	3	M5
12.		CHAIN	1	

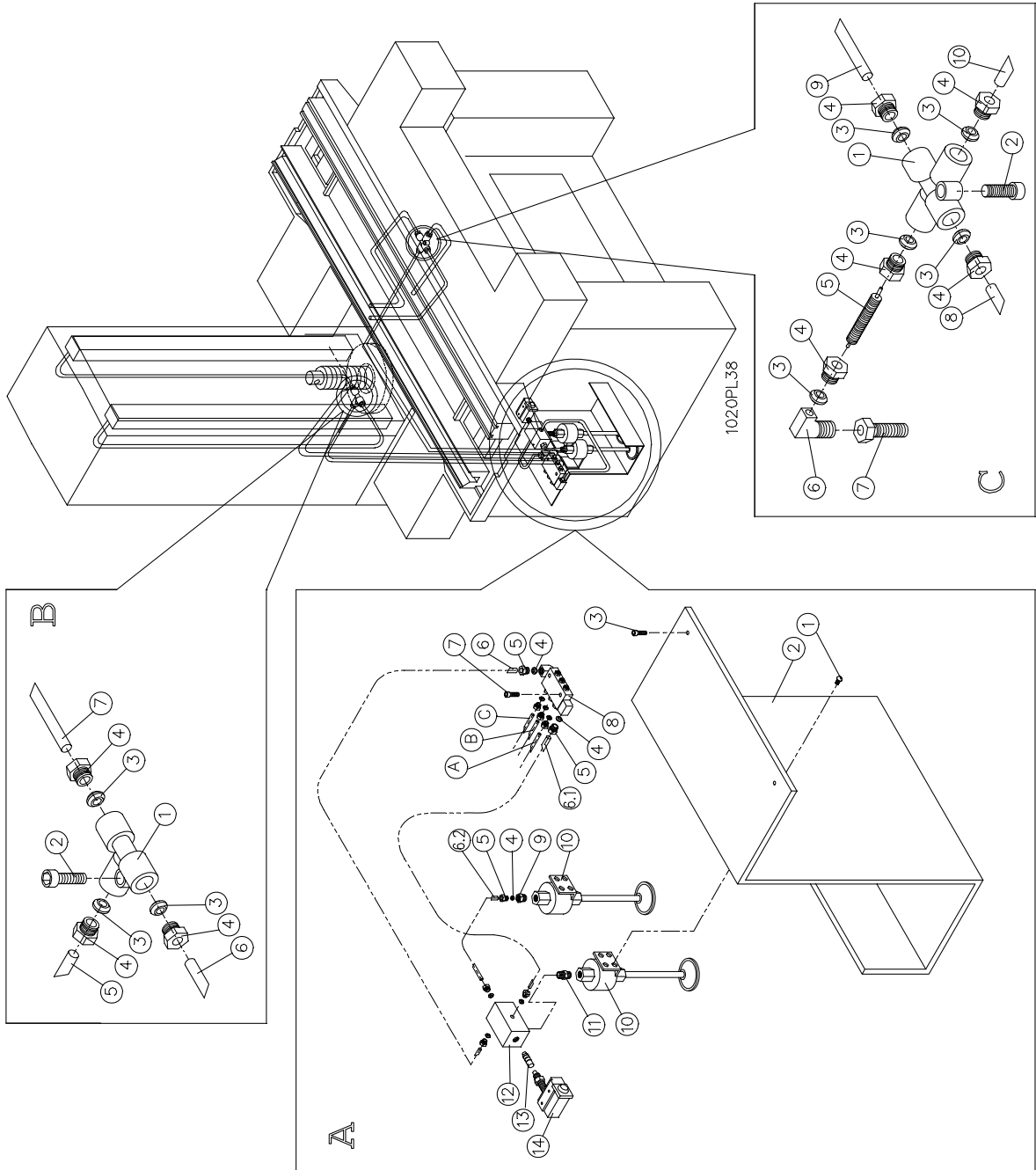
### B: ELECTRIC BOX SET (2595A)

NO.	PART NO.	DESCRIPTION	Q'TY	SPEC.
1.	259001E	ELECTRICAL BOX	1	
2.		SOCK HEAD CAP SCREW	4	M8*12L
3.	389026-1	SPLASH COVER	1	
4.		SOCK HEAD CAP SCREW	4	M4*12L
5.	200907	SPLASH COVER	2	
6.		SOCK HEAD CAP SCREW	4	M4*12L
7.		RUBBER	1	
8.	259002E	ELECTRICAL FIXING PLATE	1	
9.		SOCK HEAD CAP SCREW	2	M6*25L
10.		LOCK	2	
11.	389030F	COPPER BAR	2	200L
12.		SOCK HEAD CAP SCREW	4	M8*16L
13.	259010	ELECTRIC BOX GROUND STRAP	1	
14.		NUT	4	M8
15.		SOCK HEAD CAP SCREW	2	M6*14L
16.		WASHER	2	φ 6
17.	389019E	BLOCK PLATE	1	
18.		DOOR LOCK	1	
19.		SOCK HEAD CAP SCREW	4	M5x10L

### C: SUPPORT ARM SEAT SET (3071)

NO.	PART NO.	DESCRIPTION	Q'TY	SPEC.
1.	259005	CONTROL BOX SUPPORT ARM	1	
2.		HOLE PLUG	2	HP-19
3.		SOCK HEAD CAP SCREW	2	M8*14L

# LUBRICATION SYSTEM ( 258 )



## LUBRICATION SYSTEM ( 258 )

**A:**

NO.	PART NO.	DESCRIPTION	Q'TY	SPEC.
1.		SOCK HEAD CAP SCREW	2	M6x10L
2.	258001	PUMP FIXED STAND	1	
3.		SOCK HEAD CAP SCREW	2	M6x10L
4.		COMPRESSION SLEEVE	3	PB-6
5.		COMPRESSION BUSHING	3	PA-6
6.		ALUMINIUM TUBING	1	φ 6
6.1.		ALUMINIUM TUBING	1	φ 6
6.2.		ALUMINIUM TUBING	1	φ 6
7.		SOCK HEAD CAP SCREW	2	M4x20L
8.		AB TYPE OIL REGULATING MANIFOLD	1	
9.		STRAIGHT ADAPTER	1	PD601
10.		PUMP	2	
11.		NIPPLES	1	1/8PT
12.	258002	SENSOR FIXED SUPPORT	1	
13.	258003	SENSOR SLIDING STEM	1	
14.		SENSOR	1	TZ-7310
A.		LUBRIATED FOR VERTICAL SLIDEWAY	1	
B.		LUBRIATED FOR VERTICAL SCREW & GEAR	1	
C.		LUBRIATED FOR TABLE & SADDLE SLIDEWAY	1	

**B:**

NO.	PART NO.	DESCRIPTION	Q'TY	SPEC.
1.		JUNCTION 3-WAY	1	PKD-4
2.		SOCK HEAD CAP SCREW	1	M5x20L
3.		COMPRESSION SLEEVE	3	PB-4
4.		COMPRESSION BUSHING	3	PA-4
5.		ALUMINIUM TUBING	1	φ 4
6.		ALUMINIUM TUBING	1	φ 4
7.		ALUMINIUM TUBING	1	φ 4

**C:**

NO.	PART NO.	DESCRIPTION	Q'TY	SPEC.
1.		JUNCTION 4-WAY	1	PJD-4
2.		SOCK HEAD CAP SCREW	1	M5x20L
3.		COMPRESSION SLEEVE	5	PB-4
4.		COMPRESSION BUSHING	5	PA-4
5.		HOSE ASSEMBLY	1	φ 4x400L
6.		ELBOW CONNECTOR 90°	1	PH-202
7.		FIXED JOINT BOLT	1	PM-104-1
8.		ALUMINIUM TUBING	1	φ 4

---

NO.	PART NO.	DESCRIPTION	Q'TY	SPEC.
9.		ALUMINIUM TUBING	1	$\phi$ 4
10.		ALUMINIUM TUBING	1	$\phi$ 4