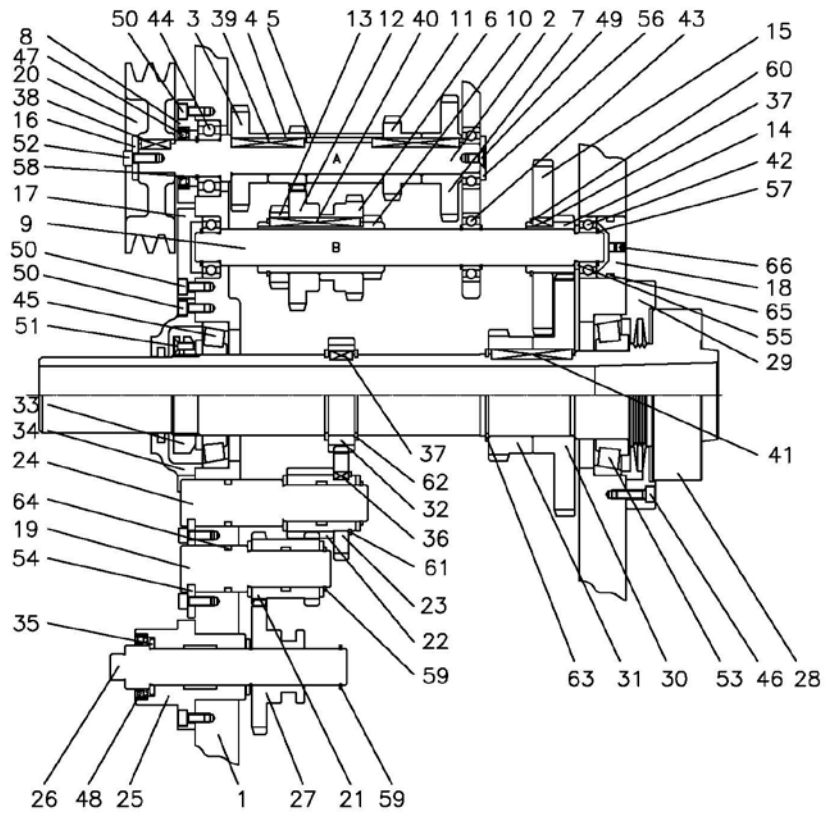


HEAD STOCK

ITEM NO.	DESCRIPTION	PART NO.	NO.OFF	REMARK
1	CASTING	5101	1	
2	A SHAFT	7102	1	
3	GEAR	7103	1	
4	GEAR	7104	1	
5	COLLAR	7105	1	
6	GEAR	7106	1	
7	GEAR	7107	1	
8	COVER	7108	1	
9	B SHAFT	7109	1	
10	GEAR	7110	1	
11	GEAR	7111	1	
12	GEAR	7112	1	
13	GEAR	7113	1	
14	GEAR	7114	1	
15	GEAR	7115	1	
16	WASHER	7116	1	
17	COVER	7117	1	
18	PLUG	7118	1	
19	C SHAFT	7119	1	
20	PULLEY	7120	1	
21	GEAR	7121	1	
22	GEAR	7122	1	
23	GEAR	7123	1	
24	D SHAFT	7124	1	
25	KEEP ASSY	7125	1	
26	E SHAFT	7126	1	
27	GEAR	7127	1	
28	SPINDLE	7128	1	
29	COVER	7129	1	
30	GEAR	7130	1	
31	GEAR	7131	1	
32	GEAR	7132	1	
33	NUT	7133	1	
34	COVER	7134	1	
35	COLLAR	7135	6	
36	PARALLEL KEY		5*5*10	1

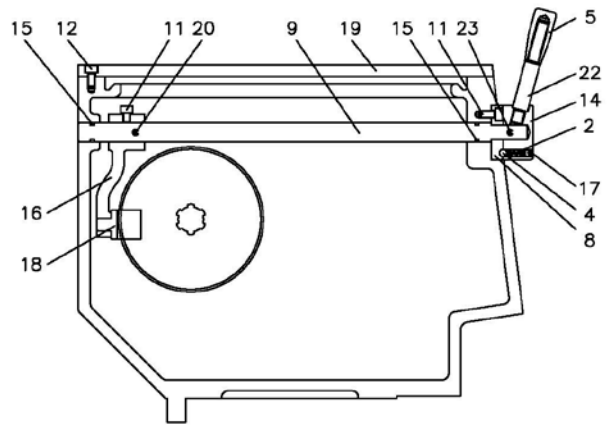
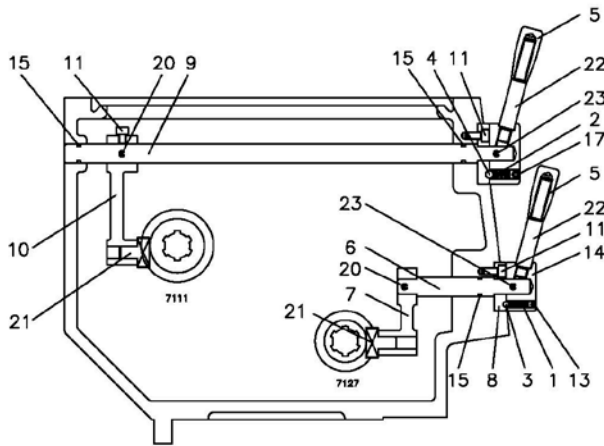
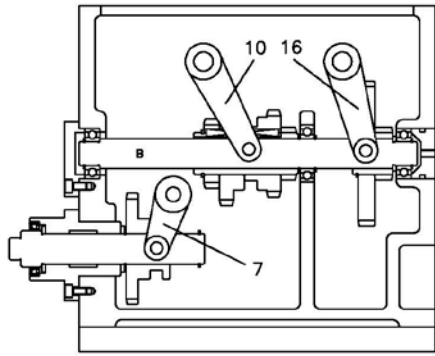
HEAD STOCK

ITEM NO.	DESCRIPTION	PART NO.	NO.OFF	REMARK
37	PARALLEL KEY		6*6*15	2
38	PARALLEL KEY		6*6*20	1
39	PARALLEL KEY		6*6*50	2
40	PARALLEL KEY		6*6*60	1
41	PARALLEL KEY		8*7*55	1
42	BEARING		6004	3
43	BEARING		6005	1
44	BEARING		6205	1
45	BEARING		30211	1
46	BEARING		30212	1
47	OIL SEAL		TC24*42*08	1
48	OIL SEAL		TC30*45*08	1
49	SOCKET SCREW		M6*10	1
50	SOCKET SCREW		M6*12	6
51	SOCKET SCREW		M6*16	8
52	SOCKET SCREW		M6*20	1
53	SOCKET SCREW		M6*25	4
54	WASHER	7154		2
55	COLLAR	7155		1
56	WASHER	7156		1
57	CIRCLIP		S20	2
58	CIRCLIP		S24	1
59	CIRCLIP		S25	6
60	CIRCLIP		S35	2
61	CIRCLIP		S38	1
62	CIRCLIP		S55	2
63	CIRCLIP		S56	1
64	"O" RING		P26	2
65	"O" RING		P36	1
66	SET SCREW		M6*6	1



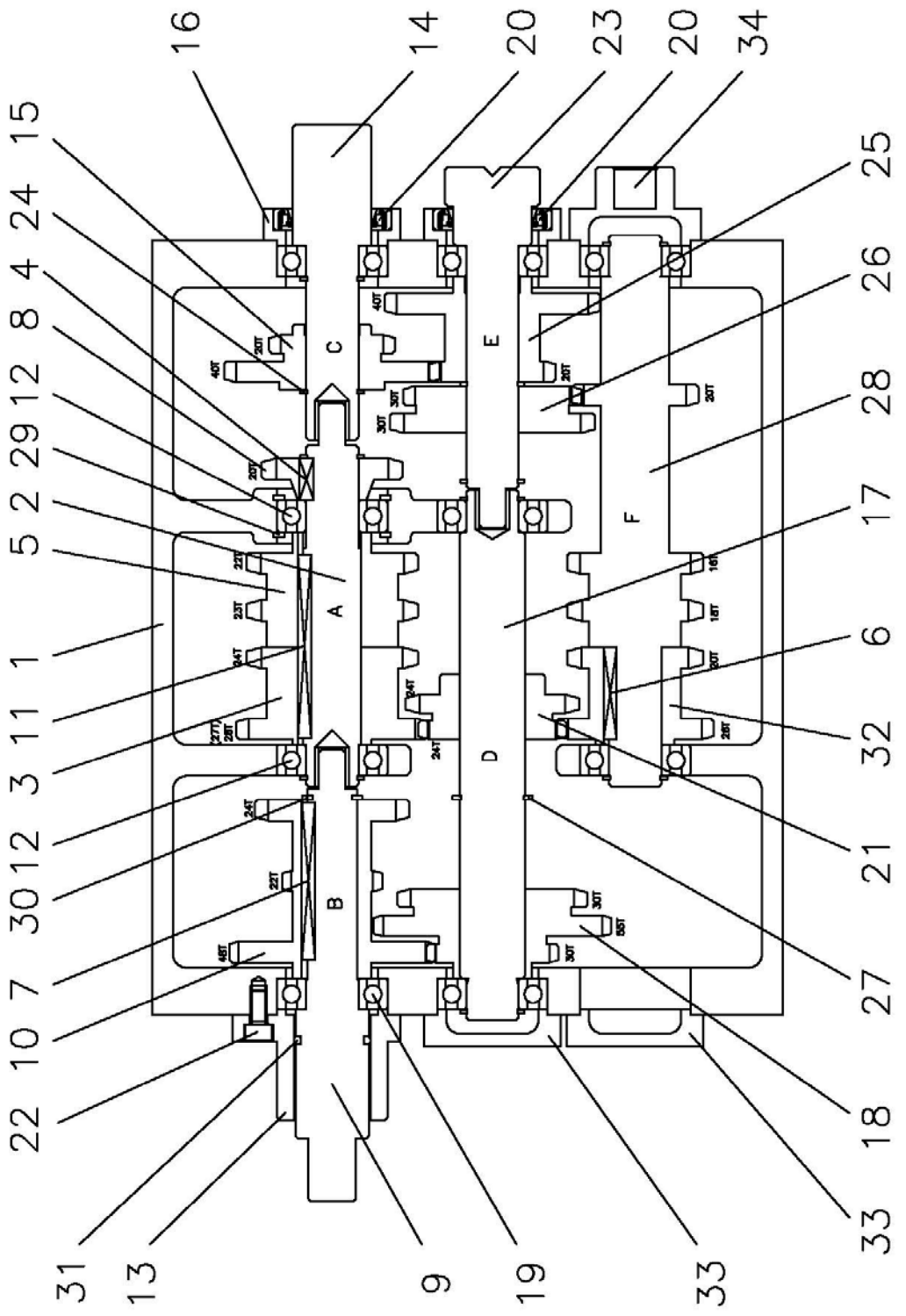
HEAD STOCK

ITEM NO.	DESCRIPTION	PART NO.	NO.OFF	REMARK
1	COMPRESSION SPRING		ψ4.0*d1.0 1	
2	COMPRESSION SPRING		ψ6.0*d1.0 2	
3	STEEL BALL		3/16" 1	
4	STEEL BALL		1/4" 2	
5	SOCKET SCREW		M6*8 2	
6	SHAFT	7136	1	
7	LEVER	7137	1	
8	WASHER	7138	2	
9	SHAFT	5103	2	
10	LEVER	7140	1	
11	SOCKET SCREW		M6*12 6	
12	SOCKET SCREW		M6*20 8	
13	SET SCREW		M6*6 1	
14	AXLE CAP	7144	2	
15	“O” RING		P12 5	
16	FORK	7146	1	
17	SET SCREW		M8*6 2	
18	FORK	7148	1	
19	COVER	5102	1	
20	SPRING PIN		ψ5*30 3	
21	SPRING PIN		ψ5*40 1	
22	FORK	7152	2	
23	SPRING PIN		ψ5*50 2	
24	WASHER	7244	1	
25	AXLE CAP	7245	1	
26	HANDLE	7246	3	
27	HANDLE	7263	3	
28	FORK	7152-1	1	



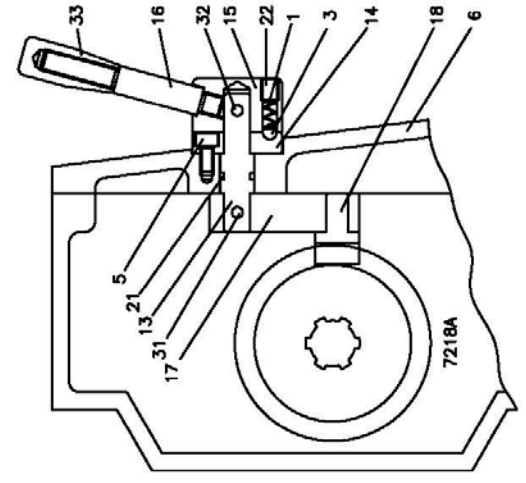
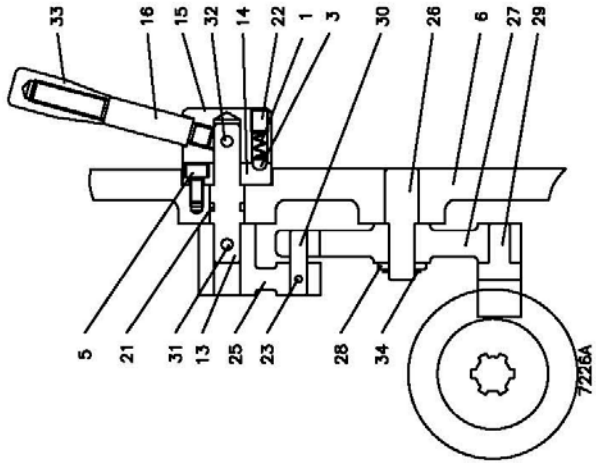
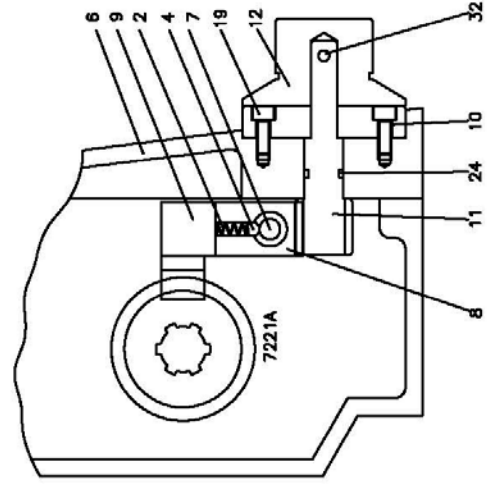
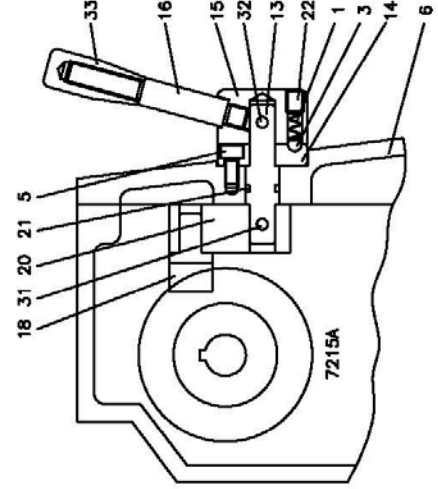
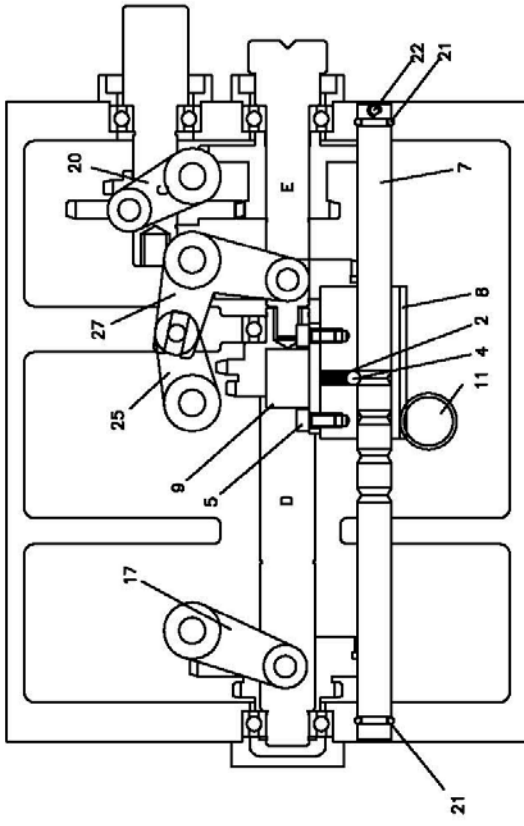
GEAR BOX

ITEM NO.	DESCRIPTION	PART NO.	NO.OFF	REMARK
1	CASTING	7201	1	
2	A SHAFT	7202	1	
3	GEAR	7203A	1	
4	PARALLEL KEY		5*5*15	1
5	GEAR	7205A	1	
6	PARALLEL KEY		5*5*35	1
7	PARALLEL KEY		5*5*60	1
8	GEAR	7208	1	
9	B SHAFT	7209	1	
10	GEAR	7210A	1	
11	PARALLEL KEY		5*5*70	1
12	BEARING		6004	9
13	COVER	7213	1	
14	C SHAFT	7214	1	
15	GEAR	7215A	1	
16	COVER	7216	2	
17	D SHAFT	7217	1	
18	GEAR	7218A	1	
19	COVER	7261	1	
20	OIL SEAL		TC30*45*08	2
21	GEAR	7221A	1	
22	SOCKET SCREW		M6*16	13
23	E SHAFT	7223	1	
24	CIRCLIP		S20	10
25	GEAR	7225A	1	
26	GEAR	7226A	1	
27	CIRCLIP		S25	1
28	F SHAFT	7228A	1	
29	CIRCLIP		R42	2
30	CIRCLIP		E15	1
31	"O" RING		AS-119	1
32	GEAR	7233A	1	
33	COVER	7235	2	



GEAR BOX

ITEM NO.	DESCRIPTION	PART NO.	NO.OFF	REMARK
1	COMPRESSION SPRING		ψ4.0*d1.0 3	
2	COMPRESSION SPING		ψ6.0*d1.0 1	
3	STEEL BALL		3/16" 3	
4	STEEL BALL		1/4" 1	
5	SOCKET SCREW		M6*12 8	
6	COVER	7236	1	
7	SHAFT	7237	1	
8	ROCK	7238	1	
9	FORK	7239	1	
10	WASHER	7240	1	
11	PINION	7241	1	
12	AXLE CAP	7242	1	
13	SHAFT	7243	3	
14	WASHER	7244	3	
15	AXLE CAP	7245	3	
16	HANDLE	7246	3	
17	LEVER	7247	1	
18	FORK	7248	2	
19	SOCKET SCREW		M6*16 2	
20	LEVER	7250	1	22L
21	"O" RING		P12 5	
22	SET SCREW		M6*6 4	
23	SPRING PIN		ψ3*20 1	
24	"O" RING	P14	1	
25	LEVER	7255	1	33L
26	SHAFT	7256	1	
27	LEVER	7257	1	
28	COLLAR	7258	1	
29	FORK	7259	1	
30	PIN	7260	1	
31	SPRING PIN		ψ5*30 3	
32	SPRING PIN		ψ5*40 4	
33	HANDLE	7263	3	
34	CIRCLIP		S12 1	



APRON

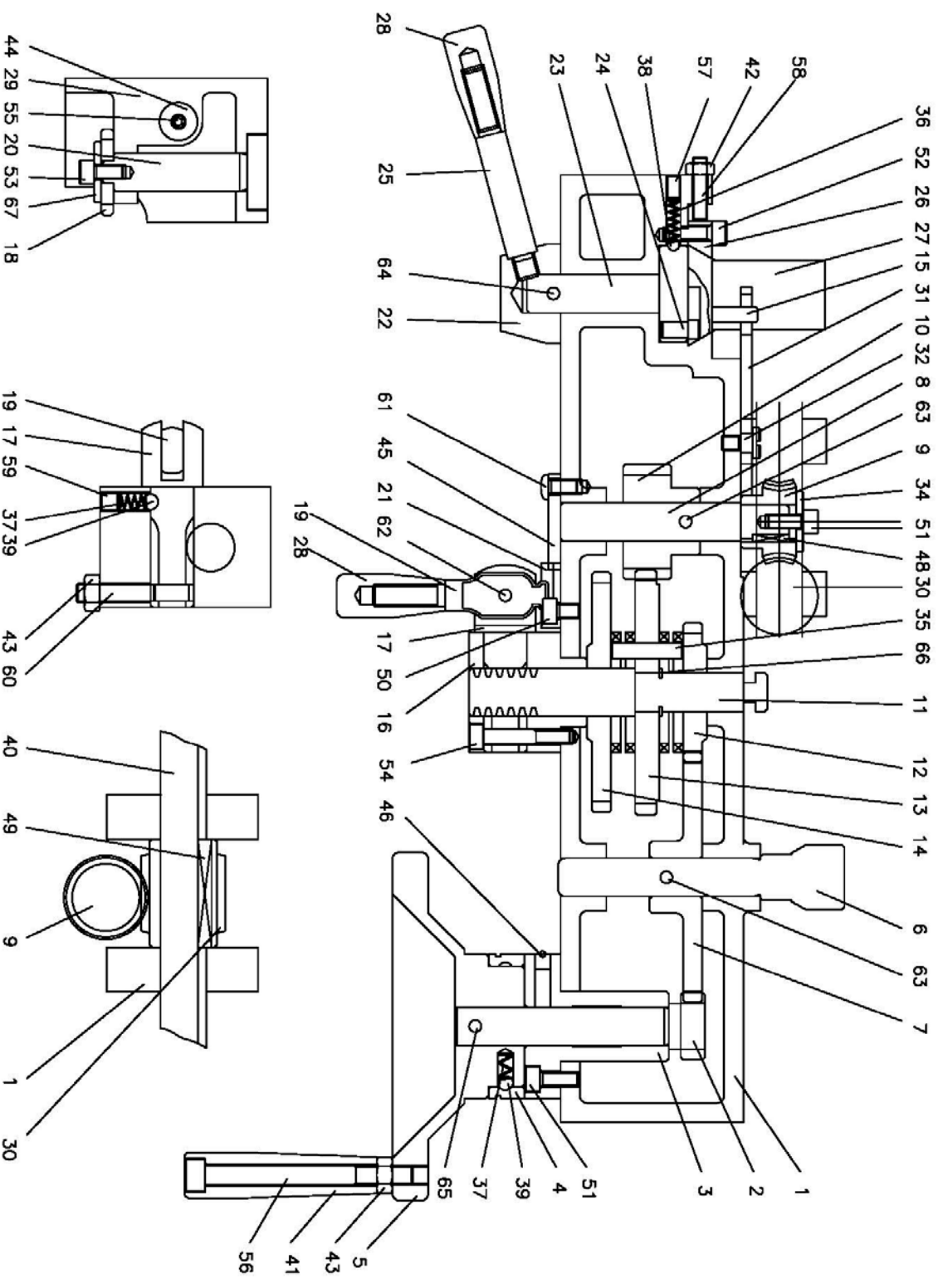
ITEM NO.	DESCRIPTION	PART NO.	NO.OFF	REMARK
1	CASTING	7301	1	
2	GEAR	7302	1	
3	BUSH	7303	1	
4	DIAL	7304	1	
5	HAND WHEEL	7305	1	
6	PINION	7306	1	
7	GEAR	7307	1	
8	SHAFT	7308	1	
9	WORM GEAR	7309	1	
10	GEAR	7310	1	
11	GEAR	7311	1	
12	GEAR	7312	1	
13	GEAR	7313	1	
14	GEAR	7314	1	
15	PIN	7315	1	
16	KEEP ASSY	7316	1	
17	SHAFT	7317	1	
18	WORM GEAR	7318	1	
19	HANDLE	7319	1	
20	INDICATOR SHAFT	7320	1	
21	PLATE	7321	1	
22	KEEP ASSY	7322	1	
23	SHAFT	7323	1	
24	PIN	7324	2	
25	HANDLE	7325	1	7514
26	GIB	7326	1	
27	HALF-NUT	7327	1	
28	HANDLE	7263	2	3/18"-16NC
29	GUARD	7329	1	
30	WORM	7330	1	
31	PLATE	7331	1	
32	SCREW	7332	1	
33				
34	WASHER	7610	1	
35	PILLAR	7335	3	
36	COMPRESSION SPRING		1	ψ4.0*d1.0

APRON

ITEM NO.	DESCRIPTION	PART NO.	NO.OFF	REMARK
37	COMPRESSION SPRING		ψ6.0*d1.0 2	
38	STEEL BALL		3/16'' 1	
39	STEEL BALL		1/4'' 2	
40	FEED ROD	7618	1	
41	HANDLE	10305	1	
42	NUT		M6 2	
43	NUT		M8 1	
44	WASHER	7344	1	
45	WASHER	7345	1	
46	OIL BALL		1/4'' 2	
47	SCREW		1/4''-TP 1	
48	PARALLEL KEY		4*4*15 1	
49	PARALLEL KEY		5*5*40 1	
50	SOCKET SCREW		M6*12 2	
51	SOCKET SCREW		M6*16 3	
52	SOCKET SCREW		M6*20 8	
53	SOCKET SCREW		M5*12 1	
54	SOCKET SCREW		M6*40 3	
55	SOCKET SCREW		M6*70 1	
56	SOCKET SCREW		M8*85 1	
57	SET SCREW		M6*6 1	
58	SET SCREW		M6*25 2	
59	SET SCREW		M8*6 1	
60	SET SCREW		M8*30 1	
61	SOCKET BUT.		M6*12 2	
62	SPRING PIN		ψ5*25L 1	
63	SPRING PIN		ψ5*30L 2	
64	SPRING PIN		ψ5*40L 1	
65	SPRING PIN		ψ5*60L 1	
66	CIRCLIP		E12 1	
67	WASHER	1002055	1	

SADDLE AND TOP-SLIDE

ITEM NO.	DESCRIPTION	PART NO.	NO.OFF	REMARK
1	CASTING	5105	1	
2	SCREW	5107	1	
3	NUT	7403	1	7446
4	NUT ASSY	7404	1	
5	PINION	5111	1	
6	KEEP ASSY	7406-1	1	
7	NUT	7407-1	1	
8	DIAL	7408-1	1	
9	HAND WHEEL	7409-1	1	
10	BRACKET	7410-1	1	
11	STRIP	7411	2	
12	STRIP	5109	1	
13	GIB	5110	1	
14	CROSS SLIDE	5106	1	
15	GIB	5108	1	
16	SCREW	7416	4	
17	HANDLE	10305	1	
18	BOLT	7418	1	
19	SWIVEL SLIDE	5113	1	
20	GIB	7420	1	
21	TOP SLIDE	7221	1	
22	NUT	8407-1	1	
23	SCREW	7423	1	
24	NUT	7424	1	
25	KEEP ASSY	7425	1	
26	DIAL	7426	1	
27	KEEP ASSY	7427	1	
28	HAND WHEEL	7428	1	
29	T-SLOTTED	7429	1	
30	HANDLE	7430	1	
31	SHAFT	7431	1	
32	TURRET BODY	7432	1	
33	SCREW	7433	8	
34	WASHER	7434	1	
35	NUT	7435	1	
36	HANDLE	7436	1	

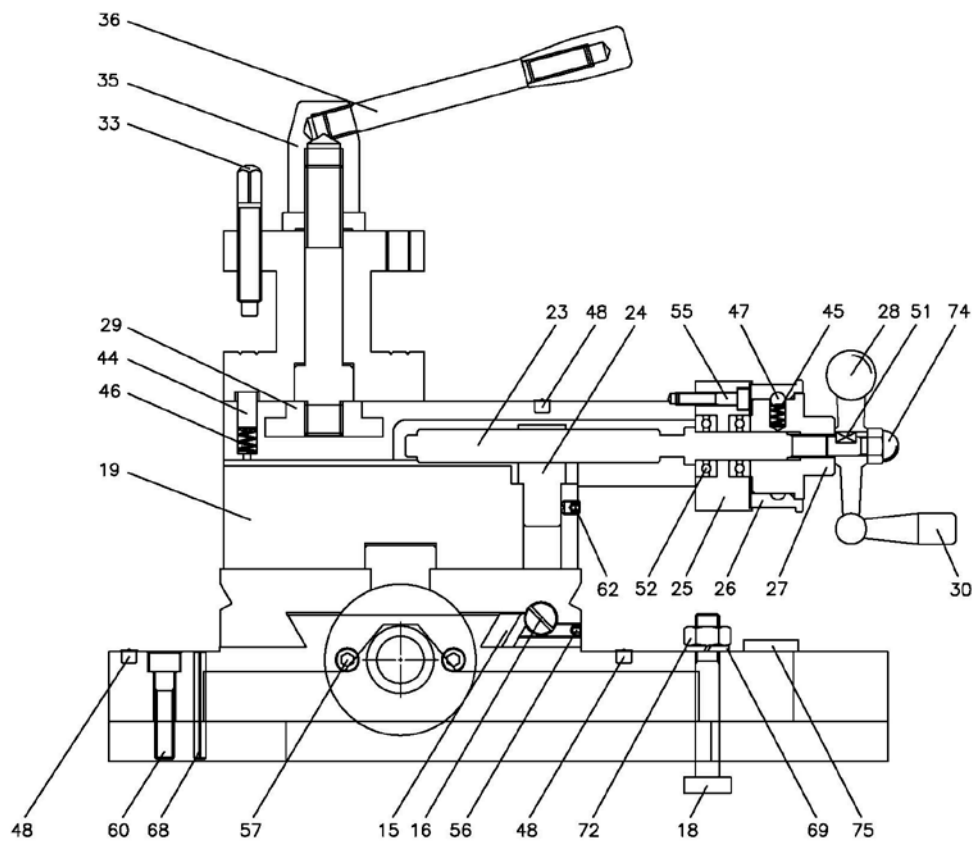
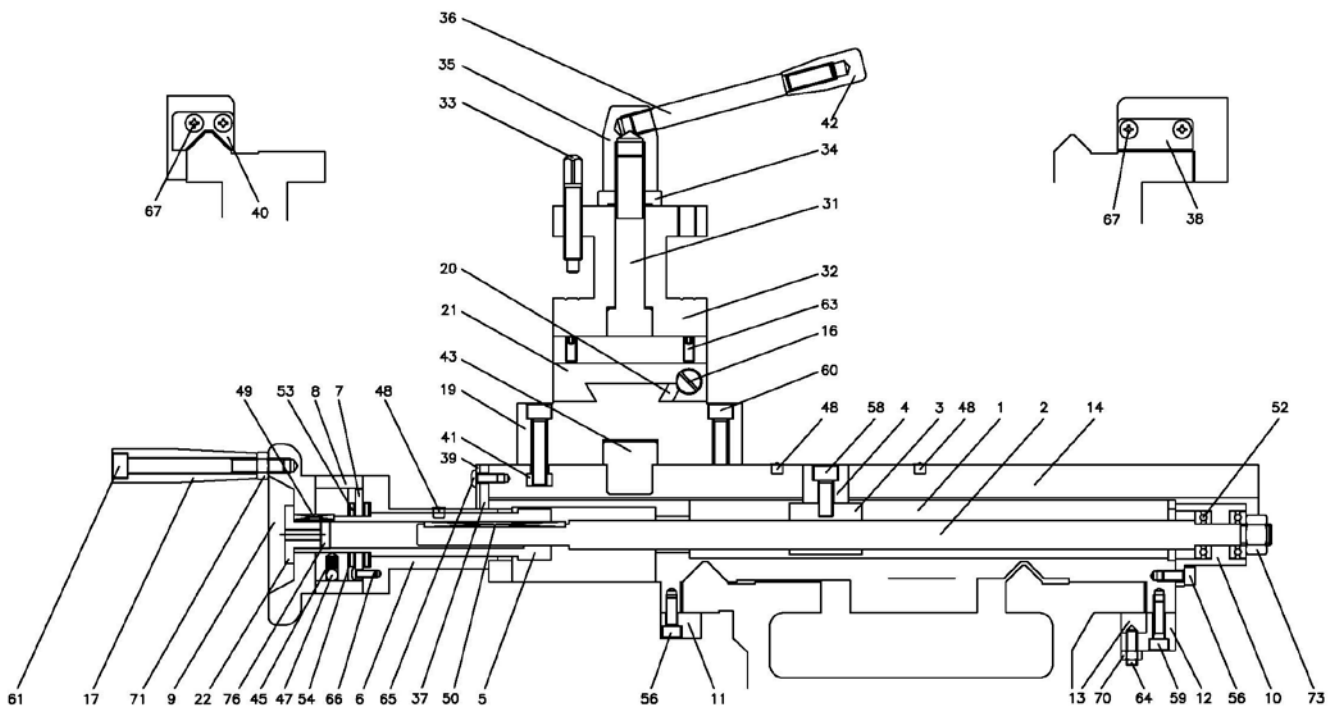


SADDLE AND TOP-SLIDE

ITEM NO.	DESCRIPTION	PART NO.	NO.OFF	REMARK
37	WIPER	5112	1	
38	WIPER	9439	1	
39	WIPER PROTECT	5112-1	1	
40	WIPER	7439	1	
41	BLOCK	7441	2	
42	HANDLE	7263	1	
43	PLUG	8440	1	
44	PILLAR	8442	1	
45	COMPRESSION SPRING	ψ6.0*d1.0	2	
46	COMPRESSION SPRING	ψ8.0*d1.0	1	
47	STEEL BALL	1/4"	2	
48	OIL BALL	1/4"	11	
49	PARALLEL KEY	3*3*20	1	
50	PARALLEL KEY	3*3*75	1	
51	PARALLEL KEY	4*4*8	1	
52	BEARING	51101	4	
53	BEARING	NTB2035	2	
54	BEARING	AS2035	4	
55	SOCKET SCREW	M5*30	2	
56	SOCKET SCREW	M6*16	6	
57	SOCKET SCREW	M6*75	2	
58	SOCKET SCREW	M8*20	2	
59	SOCKET SCREW	M8*30	3	
60	SOCKET SCREW	M8*35	4	
61	SOCKET SCREW	M8*85	1	
62	SET SCREW	M6*6	1	
63	SET SCREW	M6*16	3	
64	SET SCREW	M6*20	3	
65	SOCKET BUT.	M5*12	3	
66	COUNTERSUNK BOLT	3/16"*1/4"	2	
67	COUNTERSUNK BOLT	M5*12	8	
68	SPRING PIN	ψ5*36	1	
69	SPRING WASHER	M10	1	
70	NUT	M6	3	
71	NUT	M8	1	
72	NUT	M10	1	

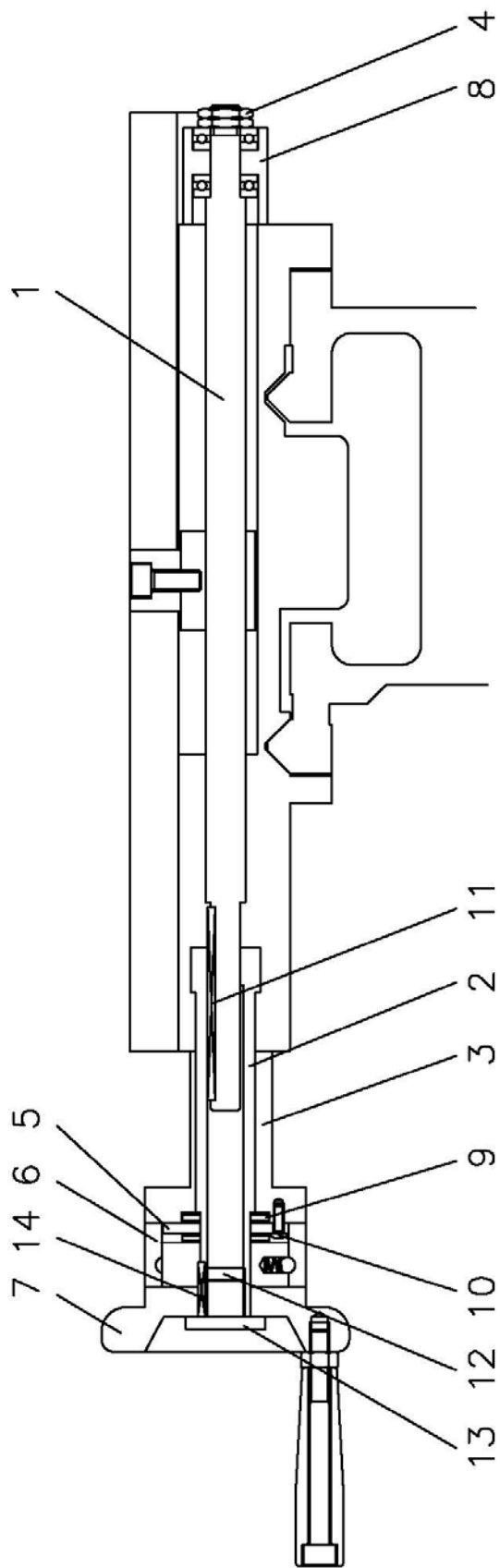
SADDLE AND TOP-SLIDE

ITEM NO.	DESCRIPTION	PART NO.	NO.OFF	REMARK
73	NUT	M12*P1.25	2	
74	CUP NUT	M8	1	
75	OIL COVER	5/8"-18NF	1	



SADDLE AND TOP-SLIDE

ITEM NO.	DESCRIPTION	PART NO.	NO.OFF	REMARK
1	SCREW	7402-1	1	
2	PINION	7405-1	1	
3	KEEP ASSY	7406-1	1	
4	NUT	7407	M12*P1.25	1
5	WASHER	7407-1		1
6	DIAL	7408-1		1
7	HAND WHEEL	7409-1		1
8	KEEP ASSY	7410-1		1
9	BEARING		AS2035	2
10	COUNTERSUNK BOLT		3/16"*1/2"	2
11	PARALLEY KEY		3*3*75	1
12	NUT	5111-1	5/8"-18NF	1
13	NUT	8407-1		1
14	PARALLEL KEY		3*3*20	1

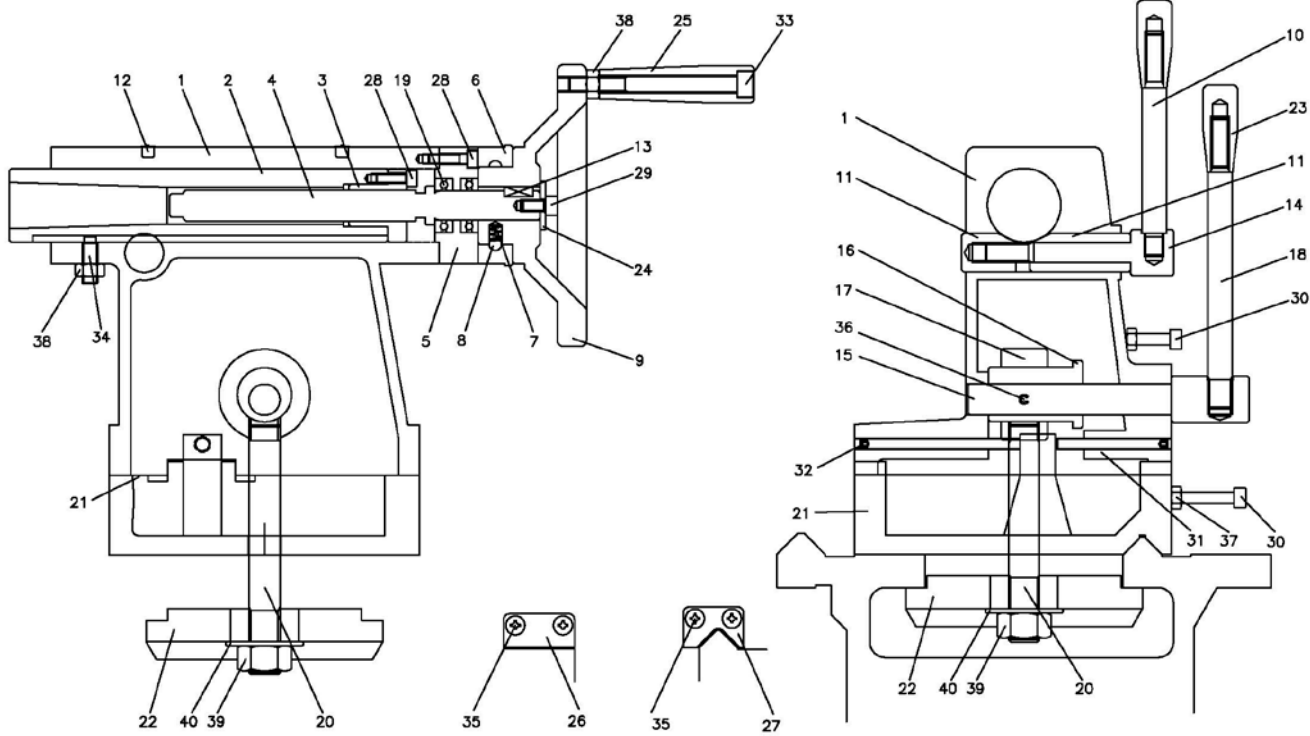


TAIL STOCK

ITEM NO.	DESCRIPTION	PART NO.	NO.OFF	REMARK
1	CASTING	5114	1	
2	BARREL	7502	1	
3	NUT	7503	1	
4	SCREW	7504	1	
5	KEEP ASSY	7505	1	
6	DIAL	7506	1	
7	COMPRESSION SPRING		1	ψ6.0*d1.0
8	STEEL BALL		1	1/4"
9	HAND WHEEL	7509	1	
10	SCREW	7510	1	
11	NUT	5117	1	
12	OIL BALL		2	1/4"
13	PARALLEL KEY		1	5*5*15
14	HANDLE	7514	1	
15	SHAFT	7515	1	
16	PIVOT BLOCK	7516	1	
17	SLEEVE	7517	1	
18	HANDLE	7518	1	
19	BEARING		2	51102
20	BOLT	5116	1	
21	BASE	5115	1	
22	CLAMP PLATE	5132	1	
23	HANDLE	7263	2	
24	WASHER	7610	1	
25	HANDLE	10305	1	
26	WIPER	7053	2	
27	WIPER	7439	2	
28	SOCKET SCREW		3	M5*25
29	SOCKET SCREW		1	M6*12
30	SOCKET SCREW		2	M6*40
31	SOCKET SCREW		1	M8*85
32	SET SCREW		1	M6*45
33	SET SCREW		1	M6*65
34	SET SCREW		1	M8*20
35	COUNTERSUNK SCREW		8	M5*12
36	SPRING PIN		1	ψ5*25

TAIL STOCK

ITEM NO.	DESCRIPTION	PART NO.	NO.OFF	REMARK
37	NUT		M6 2	
38	NUT		M8 2	
39	NUT		5/8"-11NC 1	
40	WASHER		5/8" 1	



BED

ITEM NO.	DESCRIPTION	PART NO.	NO.OFF	REMARK
1	BED	5118	1	
2	COMPRESSION SCREW	ψ6.0*d1.0	4	
3	COMPRESSION SCREW	ψ12*d2.0*100L	1	
4	COMPRESSION SCREW	ψ45*d5.0*20L	1	
5	STEEL BALL	1/4"	4	
6	PARALLEL KEY	7*7*70	1	
7	BEARING	51103	3	
8	HEX SCREW	M10*25	4	
9	HEX SCREW	1/2"*2"	8	
10	SOCKET	M5*12	2	
11	BOLT	7611	2	
12	NUT	7612	2	
13	SOCKET SCREW	M6*12	12	
14	SOCKET SCREW	M6*20	12	
15	SOCKET SCREW	M6*35	1	
16	SOCKET SCREW	M6*70	5	
17	LEAD SCREW	7617	1	
18	FEED ROD	7618	1	
19	THIRD-ROD	7619	1	
20	ROCK	7620	1	
21	BRACKET	7621	1	
22	FLOOR	5119	1	
23	OIL NET	5133	1	
24	SAFETY ASSY	7624	1	
25	COVER	7625	1	
26	BUSH	7626	1	
27	BUSH	7627	1	
28	LEVER	7628	1	
29	SHAFT	5123	1	
30	SELECTOR	7630	1	
31	BRACKET	7631	1	
32	BRACKET	7632	1	
33	BLOCK	7633	6	
34	PULLEY	7634	1	
35	MOTOR PLATE	5124	1	
36	FIXED RACK		1	

BED

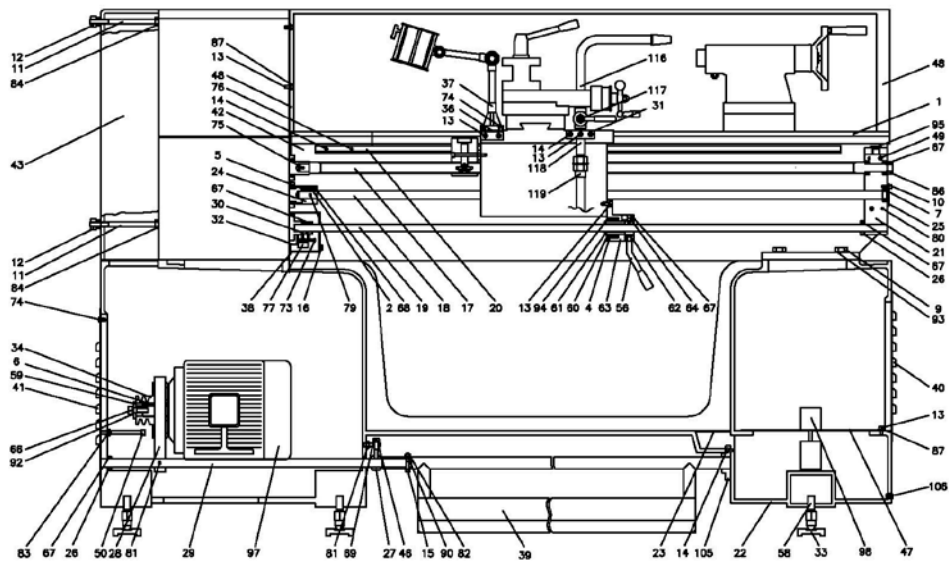
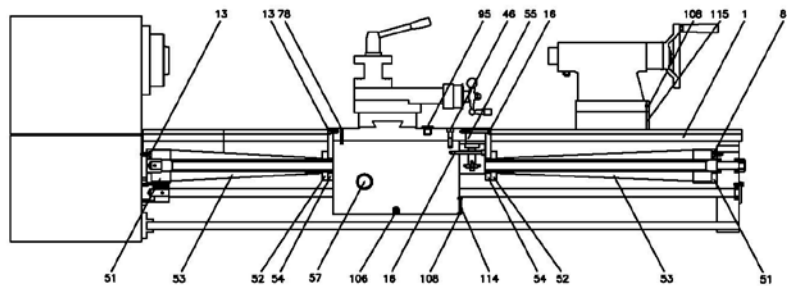
ITEM NO.	DESCRIPTION	PART NO.	NO.OFF	REMARK
37	HALOGEN LIGHT		1	
38	COVER	5134	1	
39	FOOT BRAKE	5122	1	
40	COVER	5120	2	
41	COVER	5121	2	
42	GAP	7642	1	
43	ENC COVER	5126	1	
44	BOX	7644	1	
45	ELECTRICAL BOX	5127	1	
46	SOCKET SCREW		M8*35	10
47	POMPU BOX	5125	1	
48	SPLASH GUARD	7648	1	
49	SOCKET SCREW		M8*55	2
50	SOCKET SCREW		M8*90	1
51	BLOCK	7651	1	
52	BLOCK	7652	1	
53	SPRING COVER	7653	2	
54	PLANK	7654	1	
55	BLOCK	7655	1	
56	HANDLE	7656	1	
57	FUEL LEVER		ψ29	3
58	SCREW	7658	1	
59	WASHER	8143	1	
60	WASHER	8618	1	
61	BUSH	8619	1	
62	KEEP ASSY	8620	1	
63	BRACKET	8621	1	
64	PLUG	8622	1	
65	SCREW	8635	1	
66	SOCKET SCREW		M10*35	5
67	SET SCREW		M6*6	9
68	SET SCREW		M8*6	4
69	SET SCREW		M8*30	2
70	COUNTERSUNK SCREW		3/16"*3/8"	1
71	COUNTERSUNK SCREW		3/16"*1/4"	2
72	COUNTERSUNK SCREW		3/16"*1/2"	2

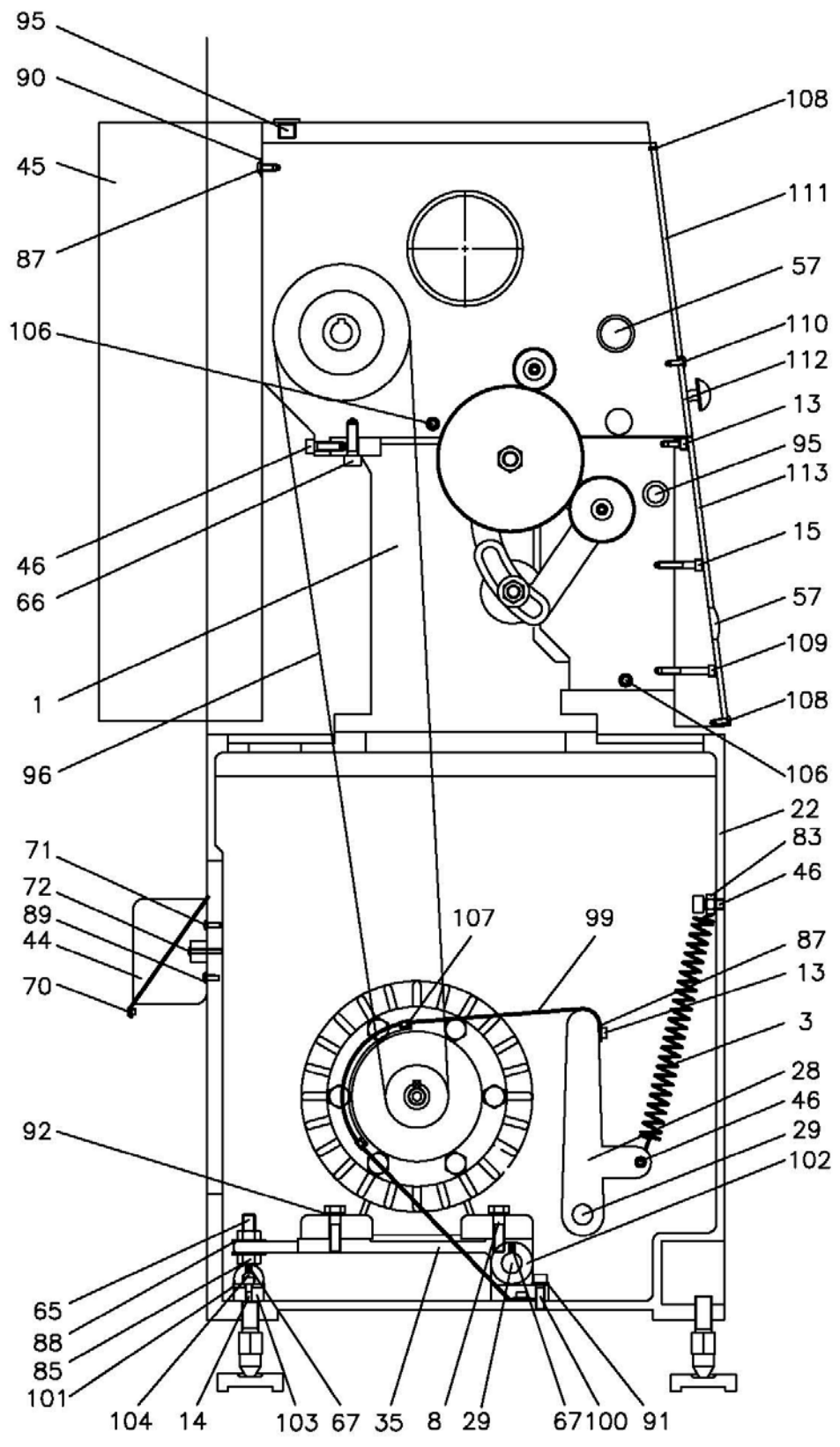
BED

ITEM NO.	DESCRIPTION	PART NO.	NO.OFF	REMARK
73	COUNTERSUNK SCREW		M4*40	2
74	COUNTERSUNK SCREW		M6*12	16
75	TAPER PIN		3#*32	1
76	SPRING PIN		ψ5*20	7
77	LIMIT SWICH			1
78	SPRING PIN		ψ5*36	2
79	SPRING PIN		ψ5*40	1
80	SPRING PIN		ψ5*55	2
81	SPRING PIN		ψ6*40	1
82	NUT		M6	1
83	NUT		M8	2
84	NUT		3/8"-16NC	2
85	NUT		1/2"-14NC	2
86	NUT		5/8"-11NF	1
87	WASHER		M6	9
88	WASHER		ψ1/2"	2
89	WASHER		ψ3/16"	1
90	SPRING WASHER		M6	1
91	SPRING WASHER		ψ8	3
92	SPRING WASHER		M10	4
93	SPRING WASHER		ψ1/2"	8
94	CIRCLIP		S30	1
95	OIL SEAL		3/8"-16NF	3
96	V-BELT		A67	2
97	MOTOR			1
98	POMPU			1
99	BRAKE LINING			1
100	SOCKET SCREW		M8*25"	3
101	WASHER	7116		4
102	KEEP ASSY	8632		1
103	KEEP ASSY	8634		2
104	SHAFT	8636		2
105	BRACKET	8617		1
106	SET SCREW		PT1/2"	4
107	SCREW		ψ5	2
108	SCREW		ψ2	10

BED

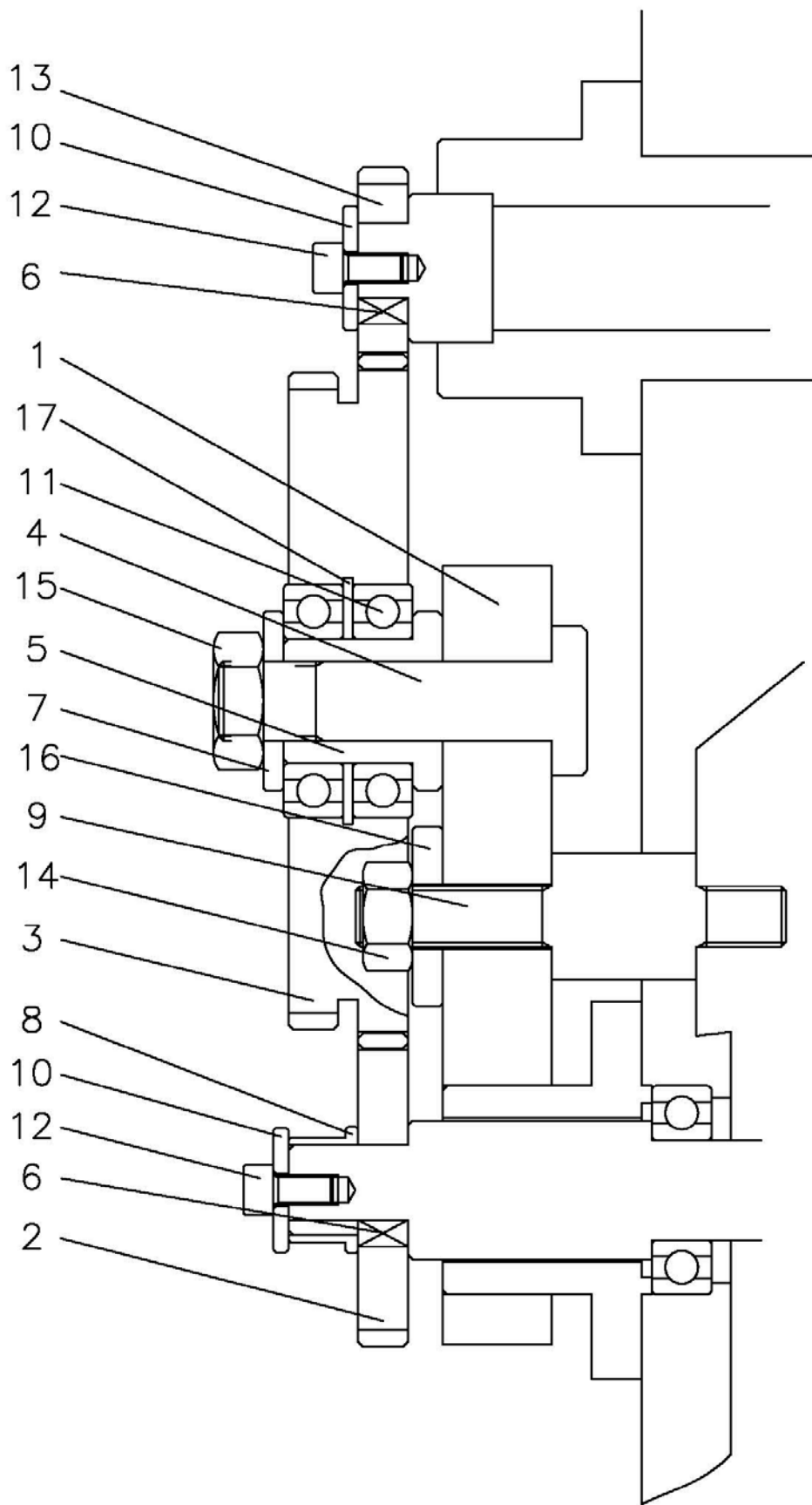
ITEM NO.	DESCRIPTION	PART NO.		NO. OFF	REMARK
109	SOCKET		M6*45	3	
110	SOCKET SCREW		M5*8	10	
111	PLATE OF HEADSTOCK	7151		1	
112	PLATE OF ELECTRIC	7162		1	
113	PLATE OF GEAR BOX	7262		1	
114	PLATE OF APRON	7341		1	
115				1	
116	OIL PIPE			1	
117	OIL CONTROL VALVE			1	
118	DUCT			1	
119	PROTECT PIPE			1	
	BRAKE LINING	7636		1	





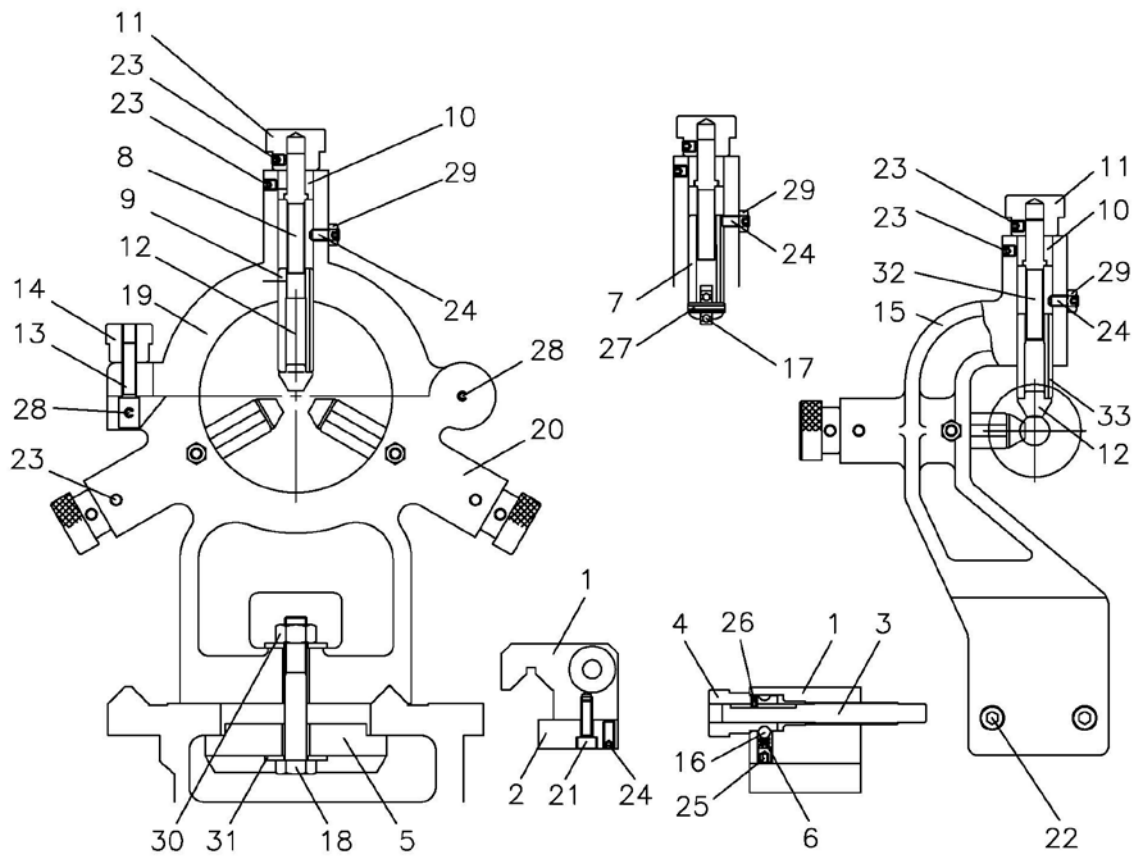
GEAR TRAIN

ITEM NO.	DESCRIPTION	PART NO.	NO.OFF	REMARK
1	SWING FRAME	7616	1	
2	GEAR	7602	1	
3	GEAR	7603	1	
4	SHAFT	7604	1	
5	BUSH	7605	1	
6	PARALLEL KEY		5*5*10	2
7	WASHER	7607	1	
8	COLLAR	7608	1	
9	BOLT	7609	1	
10	WASHER	7610	2	
11	BEARING		6005ZZ	2
12	SOCKET SCREW		M6*16	2
13	GEAR		7613	1
14	NUT		1/2"-12NC	1
15	NUT		M16*P2.0	1
16	WASHER		1/2"	1
17	CIRCLIP		R47	1



STEADY/FOLLOW REST AND BED MICRO STOP SET

ITEM NO.	DESCRIPTION	PART NO.	NO.OFF	REMARK
1	BED MICRO STOP CASTING	7701	1	
2	PLANK	7702	1	
3	SCREW	7703	1	
4	DIAL	7704	1	
5	CLAMP PLATE	7522	1	
6	COMPRESSION SPRING	ψ6.0*d0.5	1	
7	SHAFT	8714	5	
8	SCREW	7708	5	
9	SHAFT	7709	5	
10	BUSH	7710	5	
11	HANDLE	7711	5	
12	PACKING	7712	5	
13	BOLT	7713	1	
14	NUT	7714	1	
15	FOLLOW REST CASTING	7715	1	
16	STEEL BALL	1/4"	1	
17	BEARING	635ZZ	5	
18	HEX SCREW	1/2"-12NC*3"	1	
19	STEADYREST TOP CASTING	7718	1	
20	STEADYREST SET CASTING	7719	1	
21	SOCKET SCREW	M6*25	2	
22	SOCKET SCREW	M8*35	2	
23	SET SCREW	M6*6	15	
24	SET SCREW	M6*16	7	
25	SET SCREW	M8*6	1	
26	SPRING PIN	ψ3*6	1	
27	WASHER	ψ1/2"	2	
28	SPRING PIN	ψ5*30	2	
29	NUT	M6	5	
30	NUT	1/2"-12NC	1	
31	WASHER	ψ1/2"	2	



1340G/1440G TOOL BOX DETAILED LIST

CONFIRMATION	DISCRIPTION	NO. OFF	REMARK
	HEXAGON SPANNER	1	六角板手
	SCREWDRIVER ⊕	1	螺絲起子 +
	SCREWDRIVER ⊖	1	螺絲起子 -
	FIXED SPANNER 17-19	1	固定板手
	OIL CAN	1	油壺
	SWITCH HANDLE	1	開關把手
	M.T.#3 CENTER	2	固定頂針 M.T.#3
	REDUCING SLEEVE	1	3*5 套筒
	TOOL SPANNER	1	刀架板手
	SPINDLE SPANNER	1	T 型板手
	CHANGE GEAR 24T	1	24T 齒輪
	CHANGE GEAR 30T	2	30T 齒輪
	CHANGE GEAR 32T	1	32T 齒輪
	CHANGE GEAR 35T	1	35T 齒輪
	CHANGE GEAR 45T	1	45T 齒輪
	CHANGE GEAR 21T	1	21T 齒輪(公制用)
	PACKING-UP BLOCK	6	7633 墊塊
	FOUNDATION BOLT	6	地基螺栓
	WHEEL HANDLE	2	手輪把手
	OIL PAINT JUG	1	小油漆罐
	INSTRUCTION MANUAL AND PARTS LIST	1	操作手冊