

Mechanical Drawings & Parts Breakdown List

Note: When ordering parts, please be prepared with,

1. Machine model & serial number.
2. Item number.
3. Part number and description.
4. Year of Production.
5. Voltage & horsepower.
6. Quantity

E
F

1
2
3
4

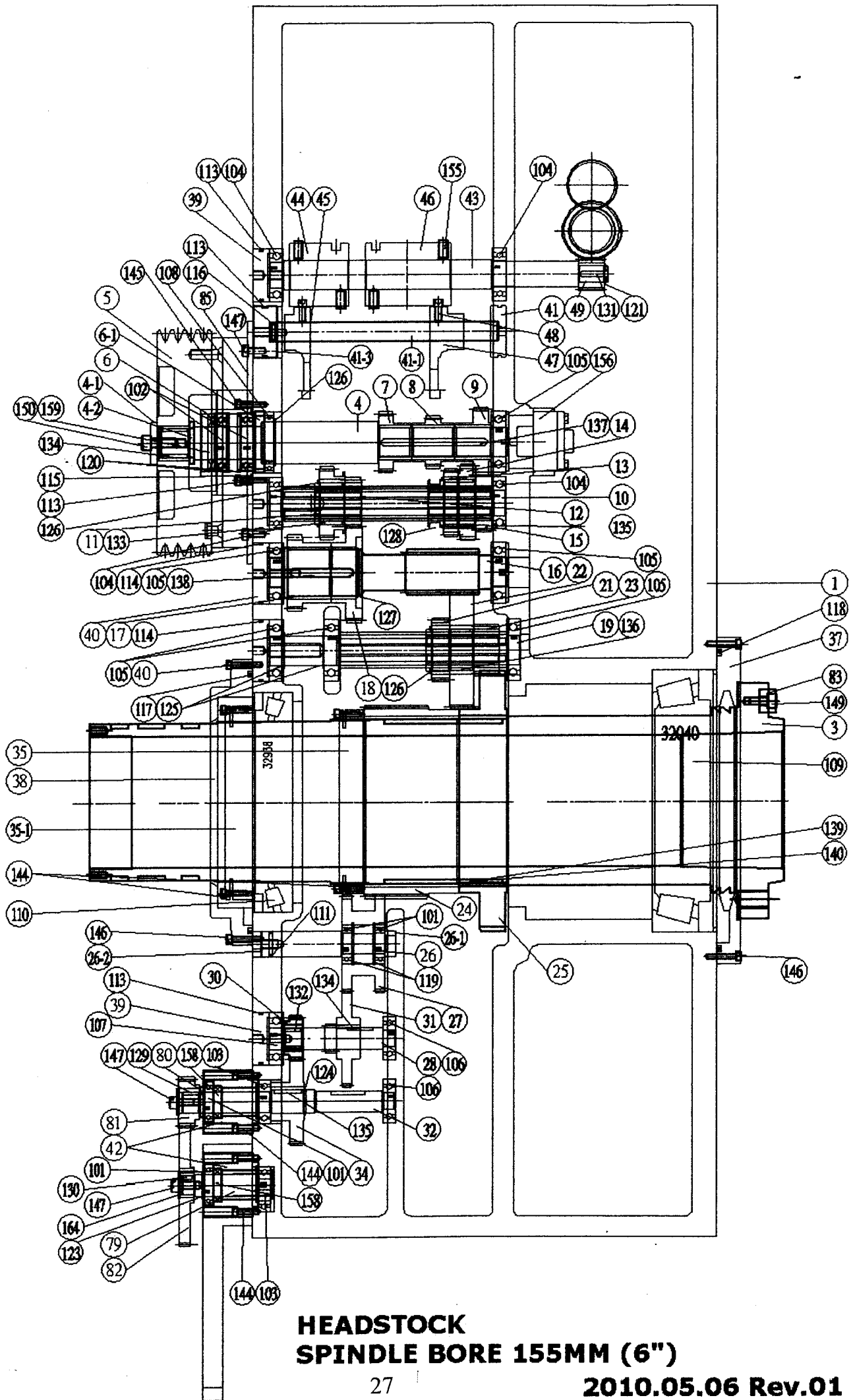
S

A

B

C

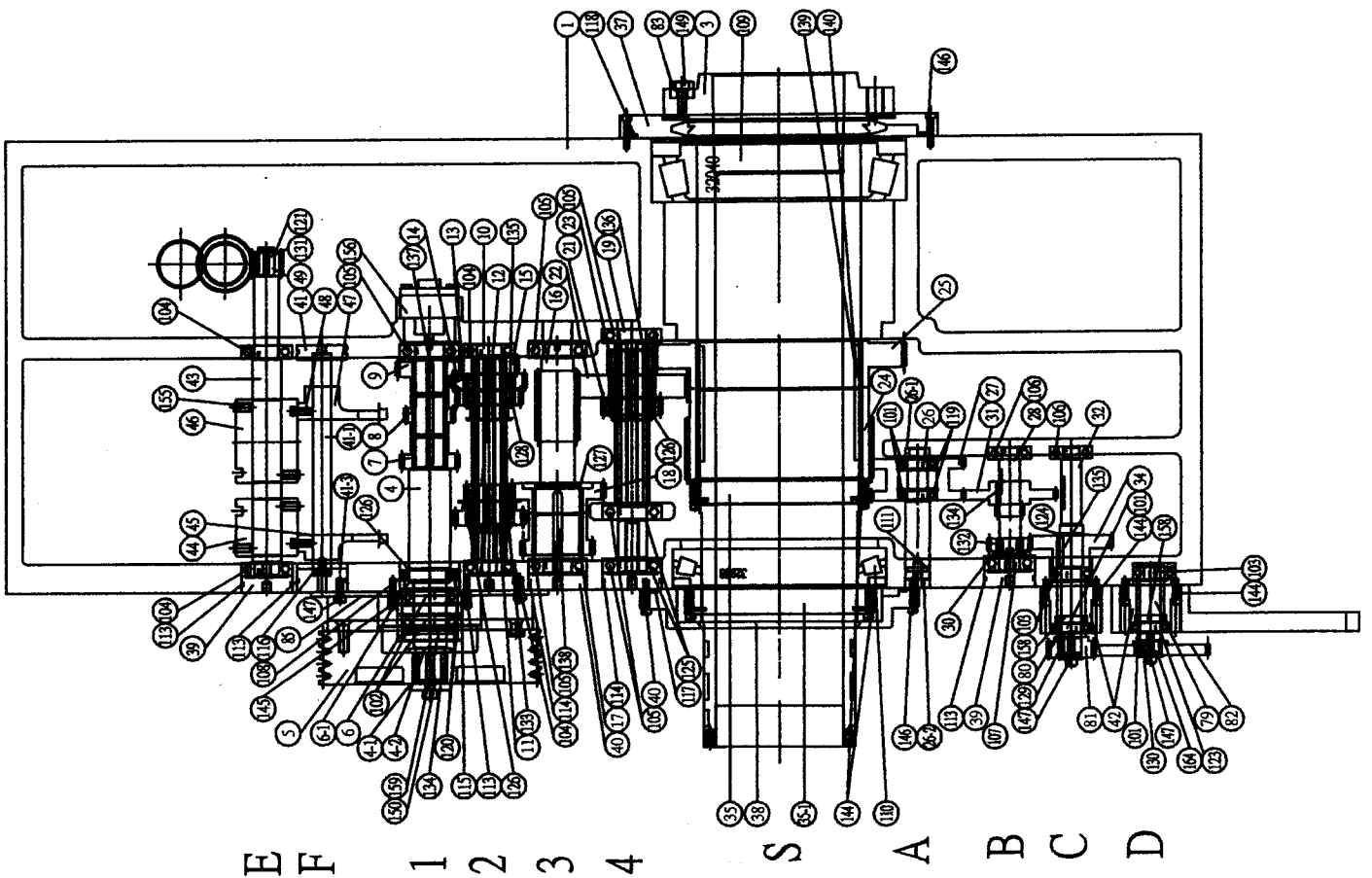
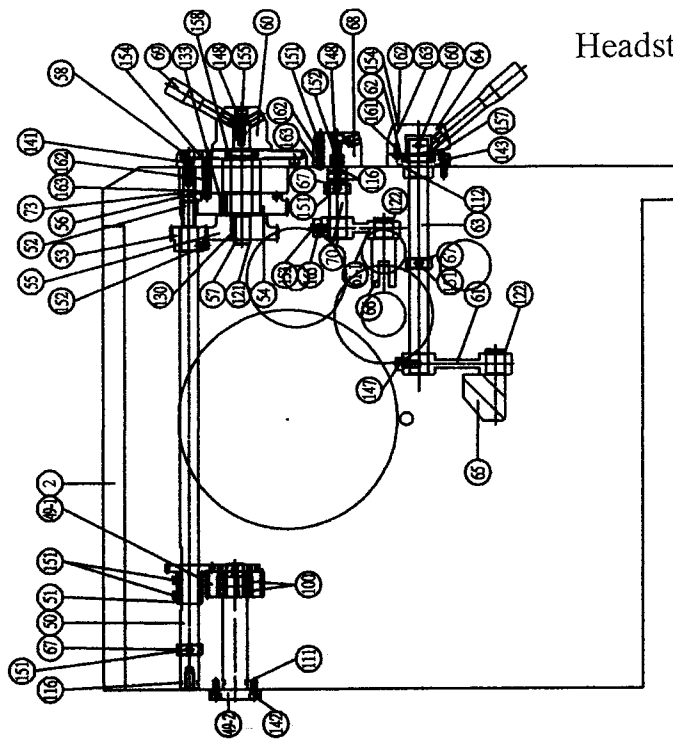
D

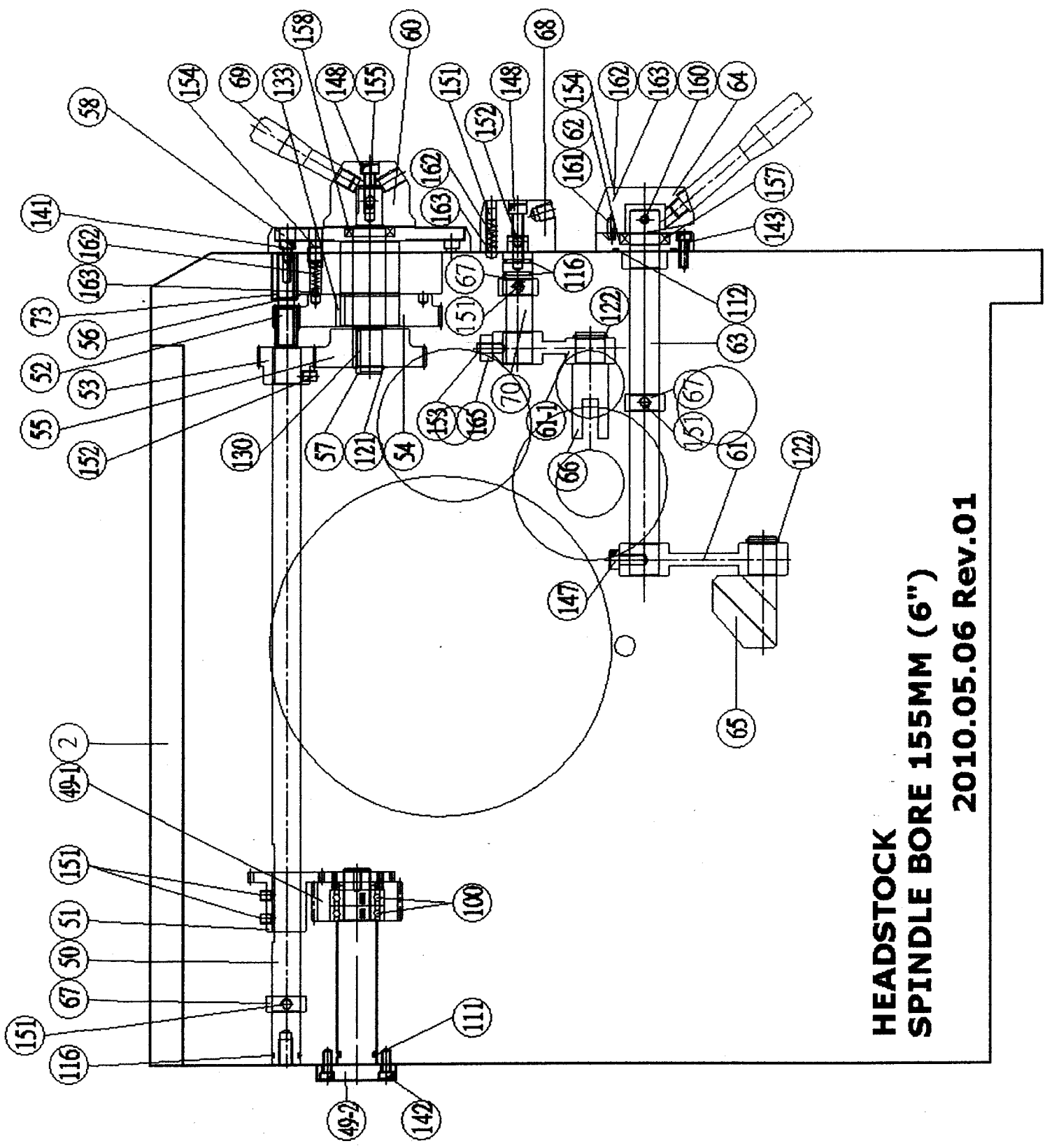


**HEADSTOCK
SPINDLE BORE 155MM (6")**

Headstock

2010.05.06 Rev.01





**HEADSTOCK
SPINDLE BORE 155MM (6")
2010.05.06 Rev.01**

LIST OF 33 HEADSTOCK SPINDLE BORE 155MM (6")
CONVENTIONAL TYPE

NO.	PARTS NO.	DESCRIPTION	Q'TY	REMARK
001	33HA-601000	HEADSTOCK HOUSING	1	
002	33HD-402000	COVER	1	
003	33HD-6030A0	SPINDLE	1	
004	18HA-004A00	SHAFT	1	
004-1	18HA-004100	SPACER	1	
004-2	33HA-A04200	SPACER	1	
005	18HA-0051A1	V-PULLEY	1	
006	33HA-406000	COVER	1	
006-1	33HA-406200	SPACER	1	
007	18HA-007000	GEAR	1	
008	18HA-008000	GEAR	1	
009	18HA-009000	GEAR	1	
010	18HA-010000	SHAFT	1	
011	18HA-011000	GEAR	1	
012	18HA-012000	GEAR	1	
013	18HA-013000	GEAR	1	
014	18HA-014000	GEAR	1	
015	18HA-015000	GEAR	1	
016	18HA-016000	SHAFT	1	
017	18HA-017000	GEAR	1	
018	18HA-018000	GEAR	1	
019	25HA-419000	SHAFT	1	
021	25HA-421000	GEAR	1	
022	25HA-422000	GEAR	1	
023	25HA-423000	GEAR	1	
024	25HA-624000	GEAR	1	
025	25HA-625000	GEAR	1	
026	18HA-026000	SHAFT	1	
026-1	18HA-026100	SLEEVE	1	
026-2	33HD-426200	SLEEVE	1	
027	25HA-427000	GEAR	1	
028	18HA-028000	SHAFT	1	
030	18HA-030000	GEAR	1	
031	25HA-631000	GEAR	1	
032	33HD-432000	SHAFT	1	
034	33HD-634000	GEAR	1	
035	25HA-635000	MASTER NUT	1	
035-1	25HA-635100	MASTER NUT	1	
037	25HA-637000	MASTER SNAP COVER-FRONT	1	
038	25HA-638000	MASTER SNAP COVER-REAR	1	
039	33HD-439000	COVER	3	
040	33HD-440000	COVER	2	
041	18HA-041000	SNAP COVER	1	
041-1	18HA-041100	SHAFT	1	
041-3	33HD-441300	SNAP COVER	1	

LIST OF 33 HEADSTOCK SPINDLE BORE 155MM (6")
CONVENTIONAL TYPE

NO.	PARTS NO.	DESCRIPTION	Q'TY	REMARK
042	33HD-442100	COVER	2	
043	33HD-443000	CAM SHAFT	1	
044	18HA-044000	CAM	1	
045	18HA-045000	SPEED CHANGE FORK	1	
046	18HA-046000	CAM	1	
047	18HA-047000	SPEED CHANGE FORK	1	
048	18HA-048000	COUNTERSINK SCREW	2	
049	18HA-049000	WORM SHATF	1	
049-1	25HA-449100	GEAR	1	
049-2	33HD-649200	SHAFT	1	
050	33HD-450000	SHAFT	1	
051	25HA-451000	GEAR	1	
052	18HA-052000	GEAR	1	
053	18HA-053000	GEAR	1	
054	18HA-054000	GEAR	1	
055	18HA-055000	GEAR	1	
056	18HA-056000	LOCKING POST	1	
057	18HA-057000	SHAFT	1	
058	18HA-058000	BRAND POST	1	
060	18HA-060000	LEVER BOSS	1	
061	25HA-461000	RICKER LEVER	1	
061-1	18HA-061100	RICKER LEVER	1	
062	25HA-462000	SPEED LEVER POST	1	
063	33HD-463000	ROCKER ARM	1	
064	18HA-064000	ROCKER LEVER POST	1	
065	25HA-465000	SPEED CHANGE FORK	1	
066	25HA-666000	SPEED CHANGE FORK	1	
067	18HA-067000	SPEED LEVER RING	3	
068	18HA-068000	LEVER BOSS	1	
069	18HA-069000	HANDLE	3	
070	33HD-670000	ROCKER ARM	1	
071	20A-011000	HANDLE	1	
073	18HA-073000	SLEEVE	1	
079	33HD-479100	SHAFT	1	
080	33B-038400	LOCKING PIN POST	1	
081	18HA-081000	GEAR	1	
082	33HD-482000	GEAR	1	
083	25HA-483000	FIX BLOCK	1	
085		BRAKER	1	
086	33HD-481000	SPACER	1	
100		Bearing 6004	2	
101		Bearing 6005	4	
102		Bearing 6008	2	
103		Bearing 6205	2	
104		Bearing 6206	4	

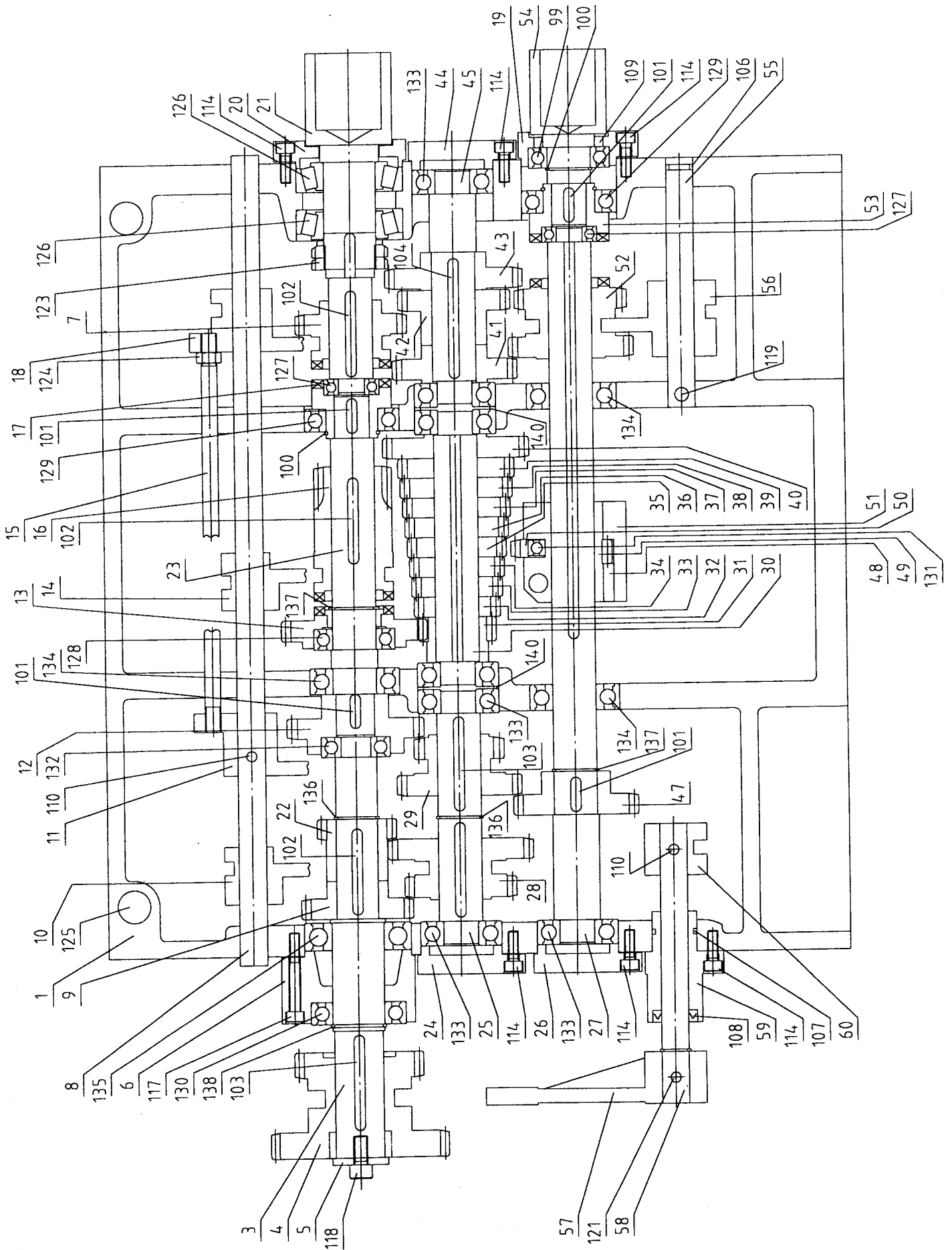
LIST OF 33 HEADSTOCK SPINDLE BORE 155MM (6")
CONVENTIONAL TYPE

NO.	PARTS NO.	DESCRIPTION	Q'TY	REMARK
105		Bearing 6207	6	
106		Bearing 6304	2	
107		Bearing 6305	1	
108		Bearing 6910	1	
109		Bearing 32040	1	
110		Bearing 32938	1	
111		O-Ring G25	2	
112		O-Ring G40	1	
113		O-Ring G55	4	
114		O-Ring G65	2	
115		O-Ring G75	1	
116		O-Ring P18	4	
117		O-Ring	1	
118		O-Ring	1	
119		C-Locker R47	2	
120		C-Locker R68	2	
121		C-Locker S20	2	
122		C-Locker S22	2	
123		C-Locker S25	1	
124		C-Locker S28	1	
125		C-Locker S35	2	
126		C-Locker S50	3	
127		C-Locker S55	1	
128		C-Locker S56	1	
129		Key 6*6*22	1	
130		Key 6*6*25	2	
131		Key 6*6*28	1	
132		Key 8*7*18	2	
133		Key 8*7*25	2	
134		Key 8*7*28	3	
135		Key 8*7*32	3	
136		Key 8*7*45	2	
137		Key 8*7*120	2	
138		Key 10*8*70	2	
139		Key 14*9*60	2	
140		Key 14*9*80	2	
141		Screw M6*10	3	
142		Screw M6*16	3	
143		Screw M6*20	2	
144		Screw M6*25	10	
145		Screw M6*30	4	
146		Screw M6*35	16	
147		Screw M8*20	7	
148		Screw M8*25	2	
149		Screw M10*20	1	

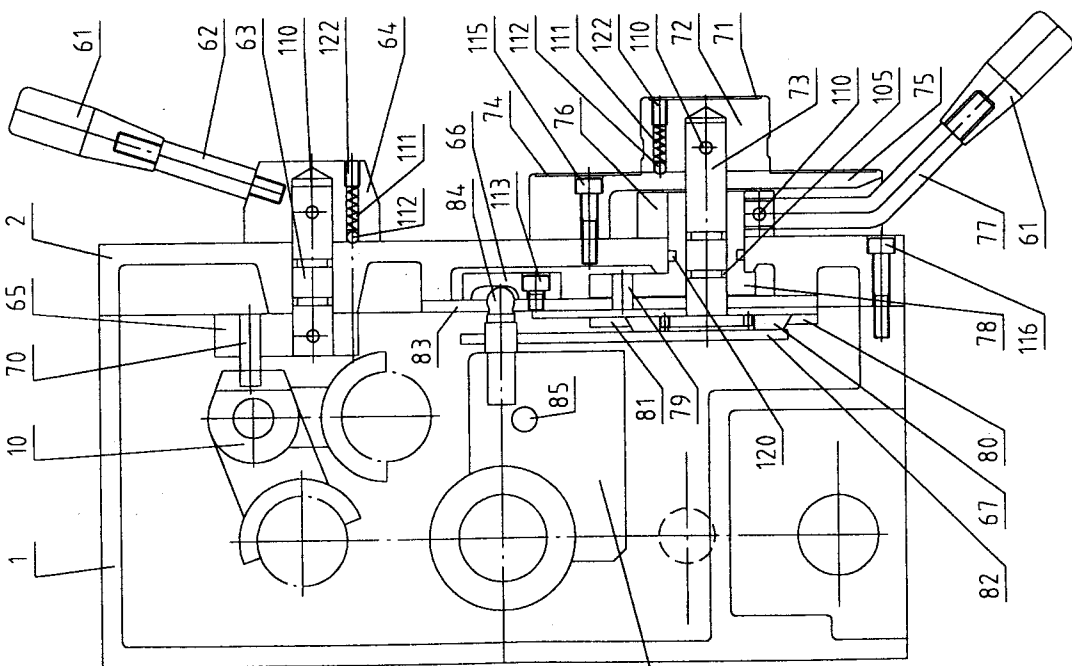
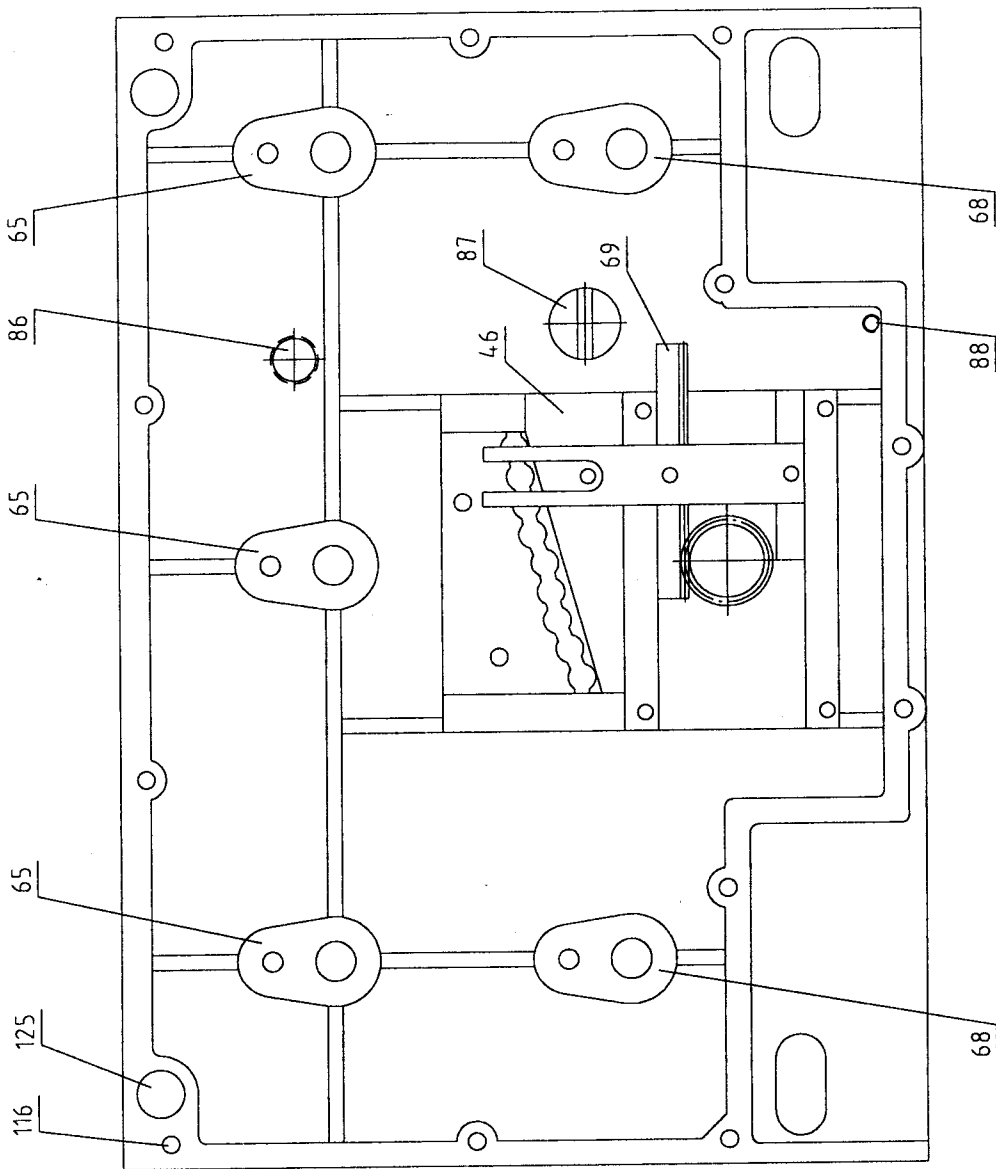
LIST OF 33 HEADSTOCK SPINDLE BORE 155MM (6")
 CONVENTIONAL TYPE

NO.	PARTS NO.	DESCRIPTION	Q'TY	REMARK
150		Screw M10*30	1	
151		Set-Screw M8*8	6	
152		Set-Screw M8*10	2	
153		Set-Screw M8*20	1	
154		Set-Screw M10*10	2	
155		Set-Screw M10*20	5	
156		Oil Pump	1	
157		Oil Seal 22*38*8	1	
158		Oil Seal 25*38*8	3	
159		Oil Seal 68*40*7	1	
160		BOLT	1	
161		STEEL BAT	1	
162		SPRING	3	
163		BALL	3	
164		SPACER	1	
165		SCREW NUT M8	1	

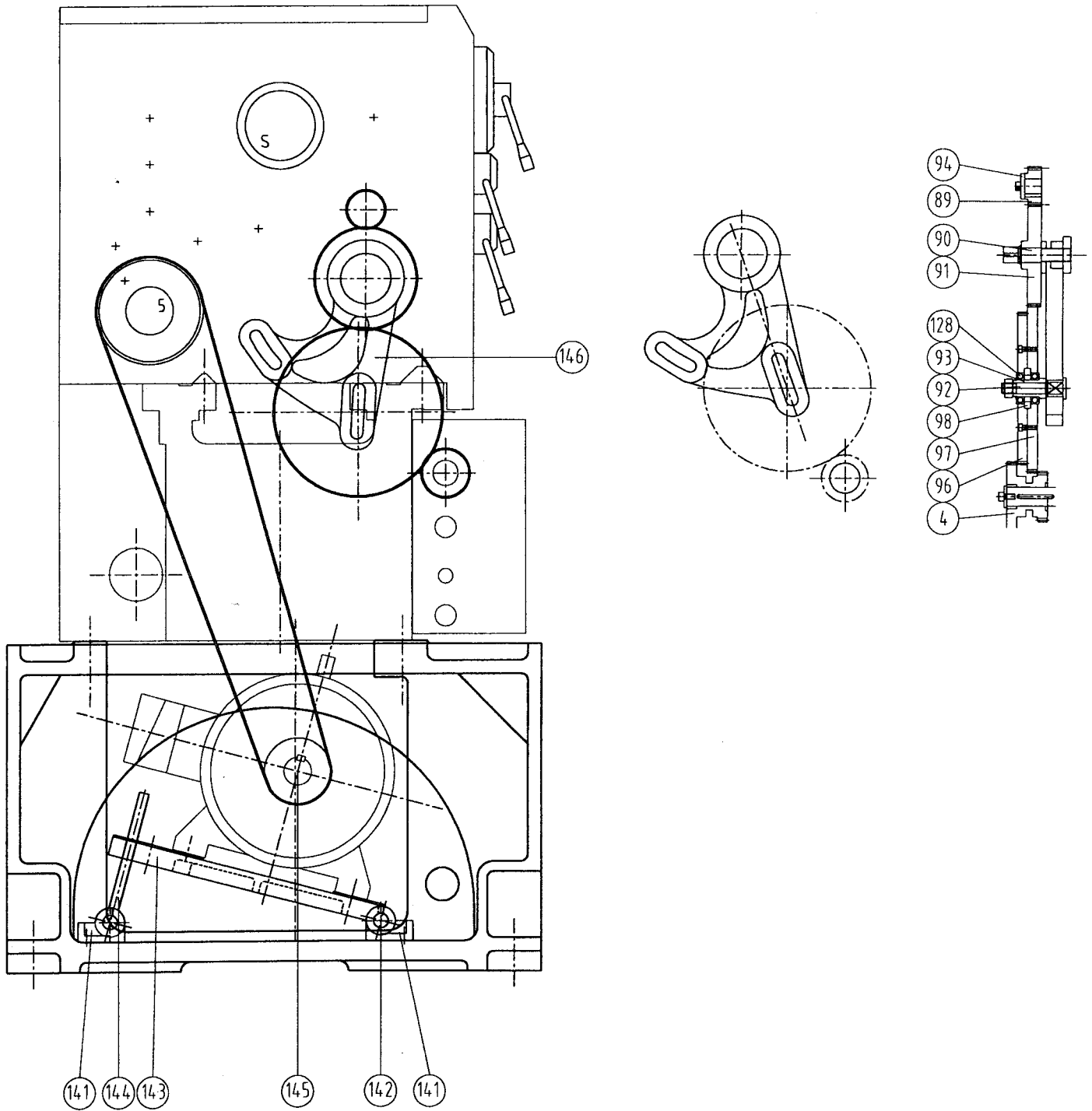
FEED GEAR BOX



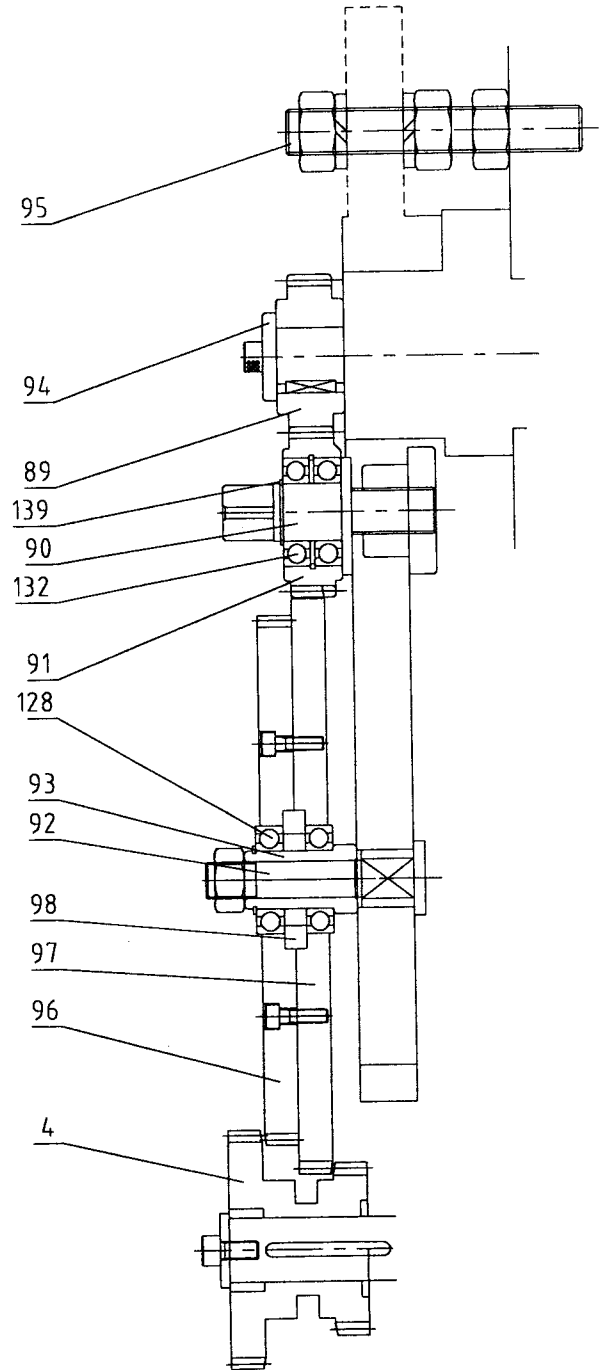
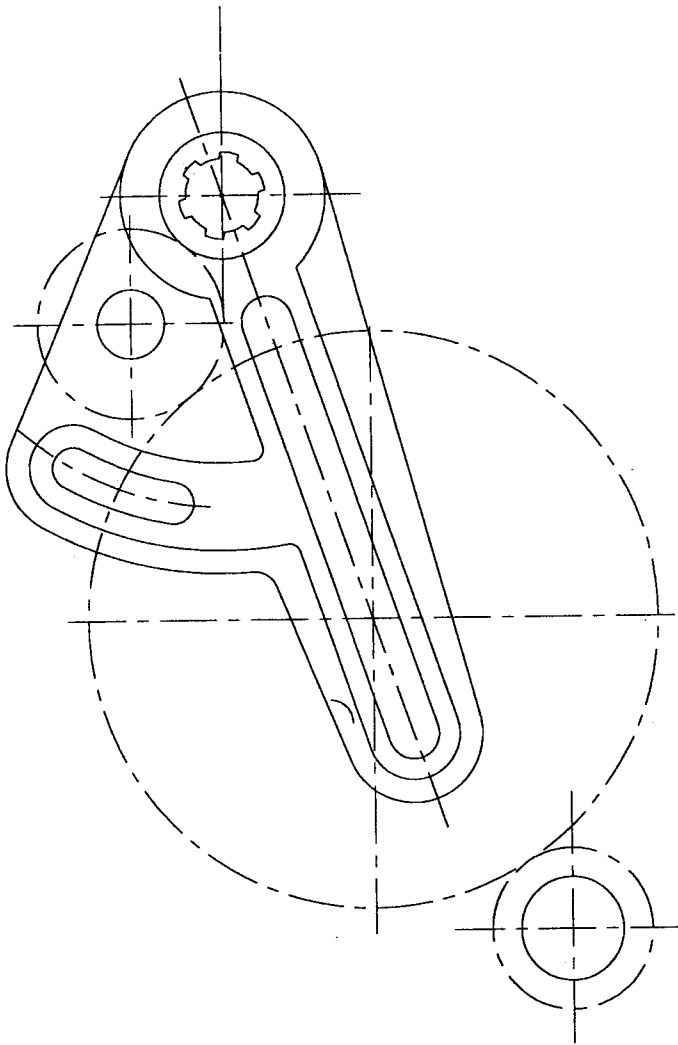
Feed Gear Box



Gear Train



Gear Train



FEED GEAR BOX

SERIAL NO.	PARTS NO.	DESCRIPTION	Q'TY
1	X7001	Gear Box Casting	1
2	X7002	Cover	1
3	X7030	Shaft	1
4	X7007	Gear	1
5		Washer	1
6	X7040	Flange Bearing	1
7	X7015	Gear	1
8	X7029	Rod	1
9	X7008	Gear	1
10	X7045	Sliding Block	1
11	X7046	Sliding Block	1
12	X7010	Gear	1
13	X7011	Gear	1
14	X7047	Sliding Block	1
15	X7076	Shaft	1
16	X7012	Gear	1
17	X7014	Clutch	1
18	X7048	Sliding Block	1
19	X7043	Cover	1
20	X7041	Cover	1
21	X7032	Shaft	1
22	X7009	Gear	1
23	X7031	Shaft	1
24	X7042	Cover	1
25	X7033	Shaft	1
26	X7042	Cover	1
27	X7036	Shaft	1
28	X7016	Gear	1
29	X7017	Gear	1
30	X7034	Shaft	1
31	X7018	Gear	1
32	X7019-1	Gear	1
33	X7019-2	Gear	1
34	X7019-3	Gear	1
35	X7019-4	Gear	1
36	X7019-5	Gear	1
37	X7019-6	Gear	1
38	X7019-7	Gear	1
39	X7019-8	Gear	1
40	X7020	Gear	1

FEED GEAR BOX

SERIAL NO.	PARTS NO.	DESCRIPTION	Q'TY
41	X7021	Gear	1
42	X7022	Gear	1
43	X7023	Gear	1
44	X7042	Cover	1
45	X7035	Shaft	1
46	X7059	Guide Plate	1
47	X7024	Gear	1
48	X7054	Cllar	1
49	X7025	Gear	1
50	X7026	Gear	1
51	X7053	Swing Frame	1
52	X7027	Gear	1
53	X7014	Clutch	1
54	X7037	Shaft	1
55	X7039	Shaft	1
56	X7051	Sliding Block	1
57	X7049	Fork	1
58	X7038	Shaft	1
59	X7044	Flange Bearing	1
60	X7050	Sliding Block	1
61		Lever	1
62	X7077	Handle	1
63	X7067	Rod	1
64	X3024	Hub	1
65	X7065	Rocker Arm	3
66	X7058	Cover	1
67	X7060-1	Slide Wedge	1
68	X7066	Rocker Arm	2
69	X7060	Rack	1
70	X7064	Pin	1
71	X7072	Name Plate	1
72	X7073	Hub	1
73	X7061	Gear Shaft	1
74	X7071	Name Plate	1
75	X7068	Cover	1
76	X7056	Hub	1
77	X7056-1	Handle	1
78	X7055	Crank	1
79		Pin	1
80	X7063	Gib	1

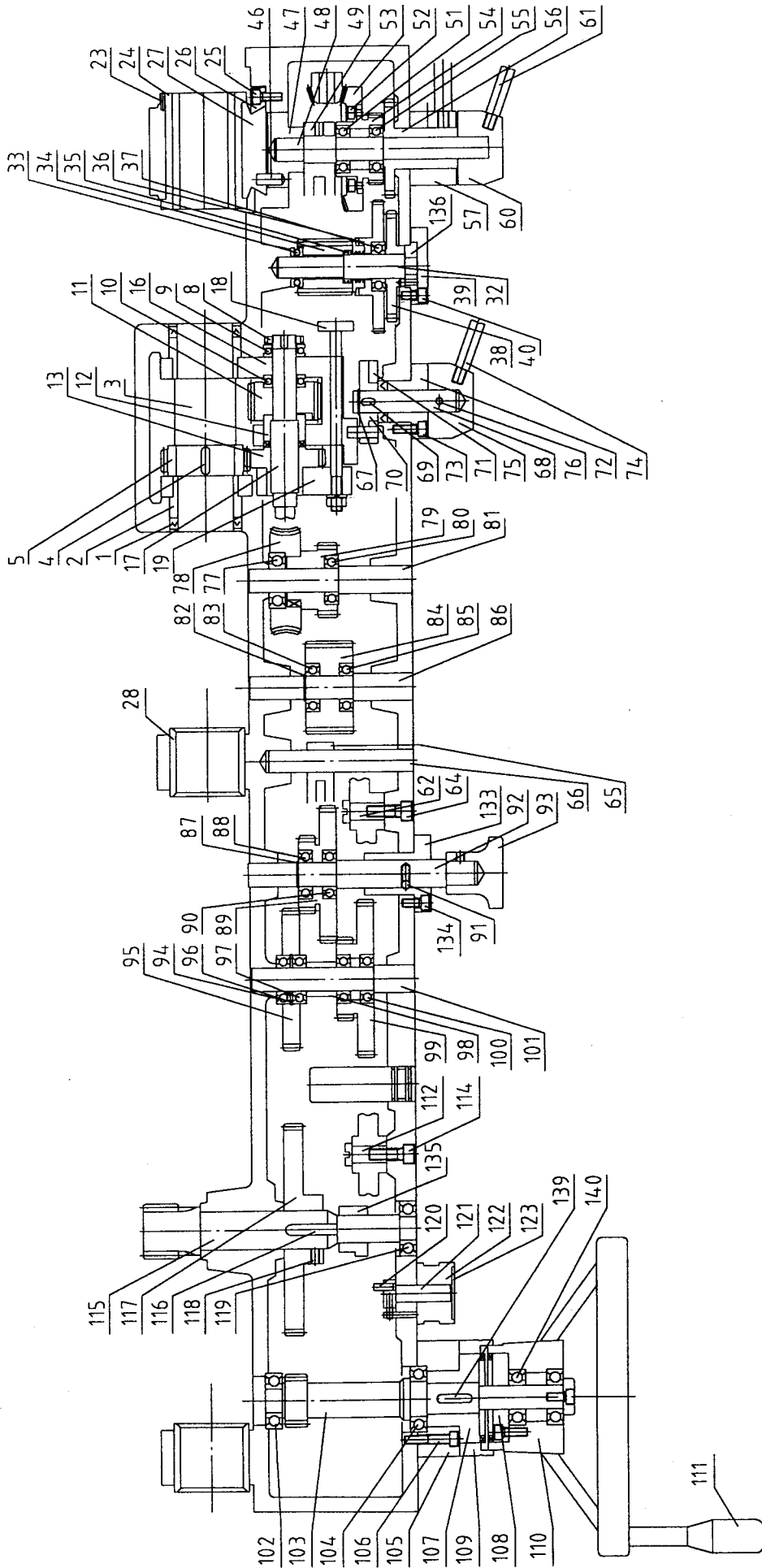
FEED GEAR BOX

SERIAL NO.	PARTS NO.	DESCRIPTION	Q'TY
81	X7063	Gib	1
82	X7062	Sliding Plate	1
83	X7057	Locating Plate	1
84	X7052	Locating Pin	1
85		Shaft	1
86		Oil Plug	1
87		Oil Window	1
88		Oil Screw (PT 1/8")	1
89	X7003	Geat	1
90		Shaft	1
91	X7004	Geat	1
92		Shaft	1
93		Bushing	1
94		Washer	1
95		Screw	1
96	X7005	Gear	11
97	X7005-1	Gear	1
98	X7075	Space Collar	1
99		Bearing (6005Z)	1
100		Circlip (S-25)	1
101		Key (K06620)	4
102		Key(K06650)	3
103		Key(K06655)	2
104		Key (K06670)	1
105		O Ring (P11)	1
106		O Ring (P12)	1
107		O Ring (P21)	1
108		Oil Seal (TC16267)	1
109		Oil Seal (TC32458)	1
110		Pin (ϕ 5)	6
111		Spring (ϕ 6)	2
112		Sreel Ball (ϕ 1/4")	2
113		Screw (M6 \times 12L)	1
114		Screw (M6 \times 16L)	6
115		Screw (M6 \times 20L)	1
116		Screw (M6 \times 30L)	12
117		Screw (M6 \times 40L)	3
118		Screw (M6 \times 12L)	1
119		Set Screw (M6 \times 6L)	2
120		O Ring (P24)	1

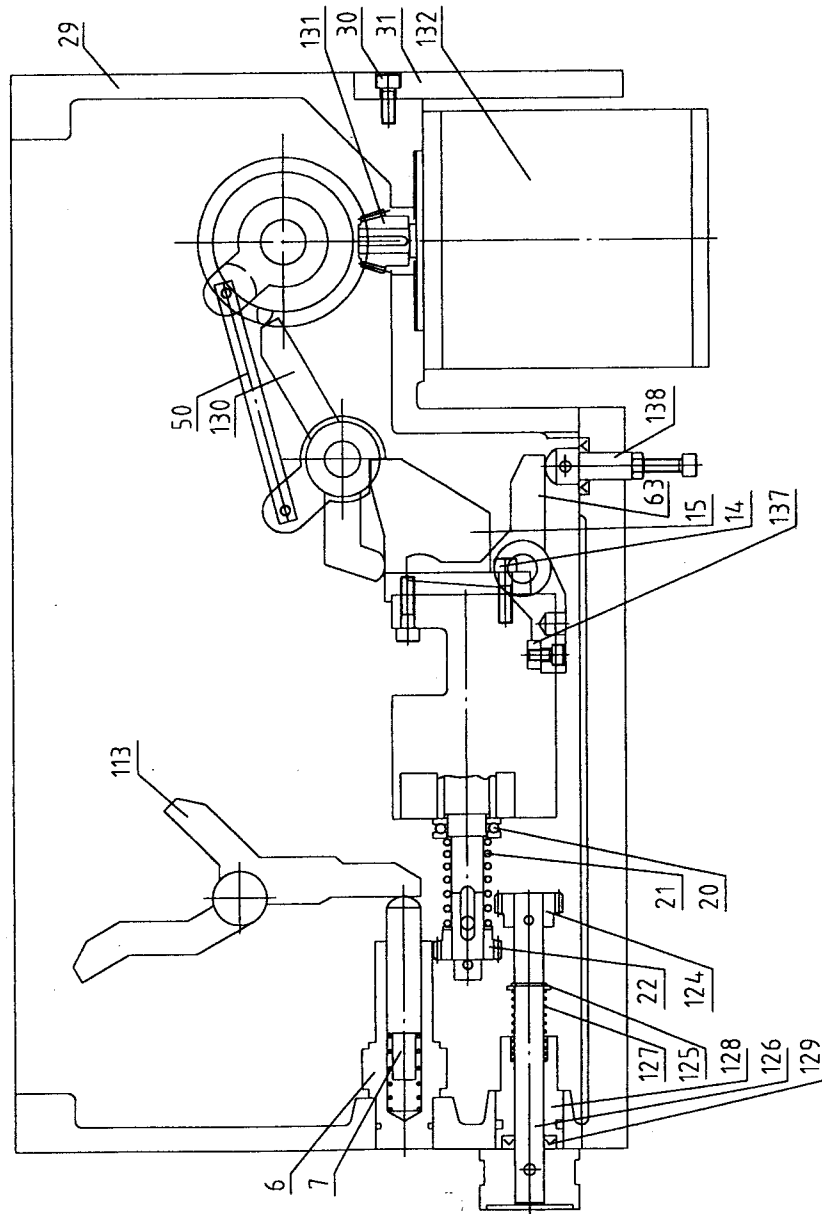
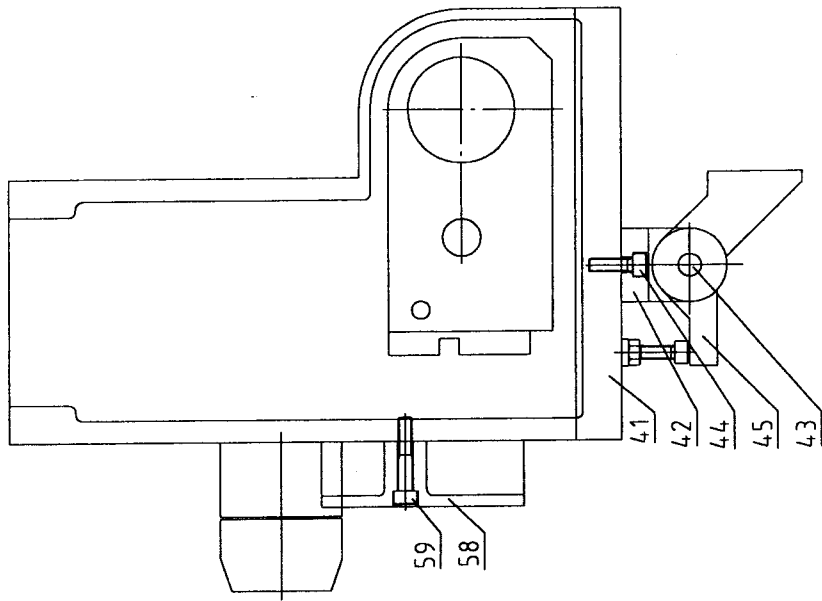
FEED GEAR BOX

SERIAL NO.	PARTS NO.	DESCRIPTION	Q'TY
121		Set Screw (M8×12L)	1
122		Set Screw (M8×8L)	6
123		Bearing Nut (AN06)	2
124		Nut (3/8")	1
125		Screw (M12)	4
126		Bearing (30206)	2
127		Bearing (6002)	2
128		Bearing (6005Z)	3
129		Bearing (6006)	2
130		Bearing (6006Z)	1
131		Bearing (6200)	1
132		Bearing (6203)	3
133		Bearing (6204)	4
134		Bearing (6205)	3
135		Bearing (6206)	1
136		Circlip (S- 24)	1
137		Circlip (S- 25)	3
138		Circlip (S- 30)	2
139		Circlip (S- 17)	1
140		Circlip (R- 45)	2
141	33B- 015	Locking Post	2
142		Locking Pin	2
143	33B- 023	Base Plste	1
144	33B- 027	Gasket Bracket	4
145	20B- 042	Pulley	1
146	33B- 038	Gear Bracket	1

Apron



Apron



APRON

SERIAL NO.	PARTS NO.	DESCRIPTION	Q'TY
1		Oil Sealer (40528)	2
2	A3005	Bushing	2
3	A3004	Shaft	1
4		Key (6×6×20)	1
5	A3006	Gear	1
6	A3057	Oil Bearing	1
7	A3058	Shaft	1
8		Nut (AN03)	1
9		Bearing (51103)	1
10		Bearing (51103)	1
11	A3009	Worm	1
12	A3008	Bushing	1
13	A3007	Gear	1
14		Screw (M6×16L)	2
15	A3037	Rack	1
16	A3003	Bracket	1
17	A3032	Shaft	1
18	A3049	Shaft	1
19	A3048	Bracket	1
20		Bearing(51103)	1
21		Spring	1
22	A3025	Gear	1
23		Pin (φ3×8)	4
24	A3068	Sleeve	1
25		Screw (M8×20L)	2
26	A3060	Regulator	1
27	A3067	Bracket	1
28	A3066	Sleeve	2
29	A3001	Apron Box	1
30		Screw (M6×16L)	2
31	A3044	Cover	1
32	A3031	Shaft	1
33		Bearing (51103)	1
34	A3074	Gear	1
35		Spring	1
36	A3012	Gear	1
37		Bearing (6003)	1
38	A3076	Gear	1
39	A3079	Cover	1
40		Screw (M6×16L)	2

APRON

SERIAL NO.	PARTS NO.	DESCRIPTION	Q'TY
41	A3002	Cover	1
42	A3065	Bracket	1
43		Shaft	1
44		Screw (M6×16L)	2
45	A3045	Rack	1
46		Pin	2
47	A3020	Shaft	1
48	A3021	Shaft	1
49	A3042	Bracket	1
50	A3038	Shaft	1
51		Bearing (6003)	1
52		Screw (M5×8L)	3
53	A3024-2	Gear	1
54	A3024-1	Gear	1
55		Bearing (6003)	1
56	A3046	Gear	1
57	A3080	Cover	1
58	A3071	Cover	1
59		Screw (M6×35L)	2
60	X3024	Hub	1
61		Handle	1
62	A3053	Shaft	1
63	A3050	Bracket	1
64		Screw (M8×25L)	1
65	A3043	Bracket	1
66	A3077	Shaft	1
67		Snap Ring (S16)	1
68	A3041	Shaft	1
69		Key (5×5×10)	1
70	A3061	Lever	1
71	A3062	Lever	1
72	A3040	Cover	1
73		Screw (M6×16L)	3
74		Handle	1
75	X3024	Hub	1
76		Pin	1
77		Bearing (6203)	1
78	A3010	Gear	1
79	A3011	Gear	1
80		Bearing (6203)	1

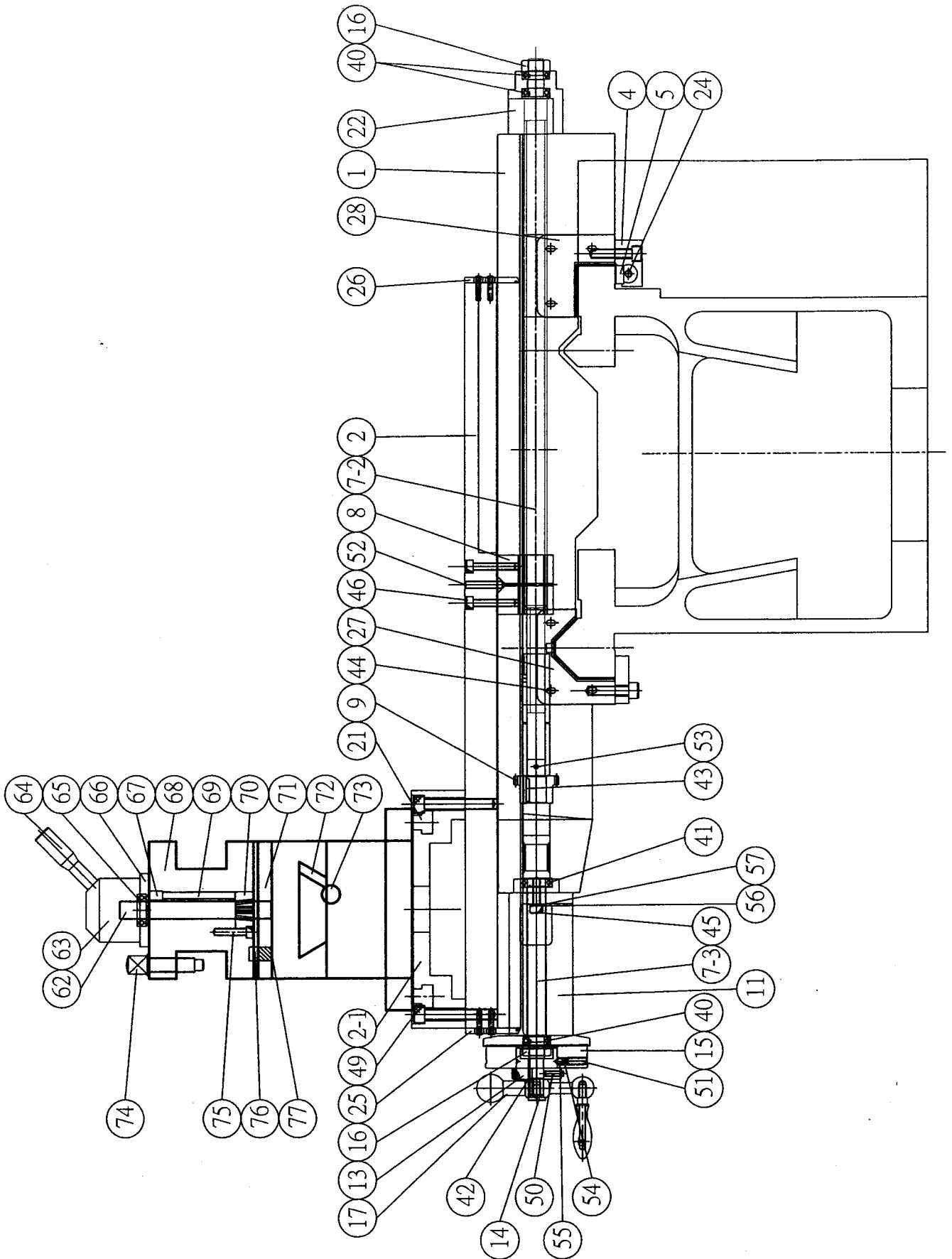
APRON

SERIAL NO.	PARTS NO.	DESCRIPTION	Q'TY
81	A3035	Shaft	1
82		Snap Ring (S17)	1
83		Bearing (6003)	1
84	A3013	Gear	1
85		Bearing (6203)	1
86	A3034	Shaft	1
87		Snap Ring (S17)	1
88		Bearing (6003)	1
89	A3014	Gear	1
90		Bearing (6003)	1
91		Steel Ball	1
92	A3036	Shaft	1
93	A3047	Handle	1
94		Bearing (6003)	1
95	A3016	Gear	1
96		Snap Ring (R35)	1
97		Bearing (6003)	1
98	A3030	Washer	1
99	A3015	Gear	1
100		Bearing (6003)	2
101	A3033	Shaft	1
102		Bearing (6203)	1
103	A3019	Gear Shaft	1
104		Bearing (6005)	1
105	A3051	Cover	1
106		Screw (M6×16L)	3
107	A3028	Clutch	1
108	A3027	Clutch	1
109	A3052	Index Ring	1
110	A3069	Hand Wheel	1
111		Handle	1
112	A3053	Shaft	1
113	A3054	Bracket	1
114		Screw (M8×25L)	1
115	A3018	Gear Shaft	1
116		Key (8×7×30L)	1
117	A3017	Gear	1
118		Screw (M6×12L)	1
119		Bearing (6203)	1
120		Pin	1

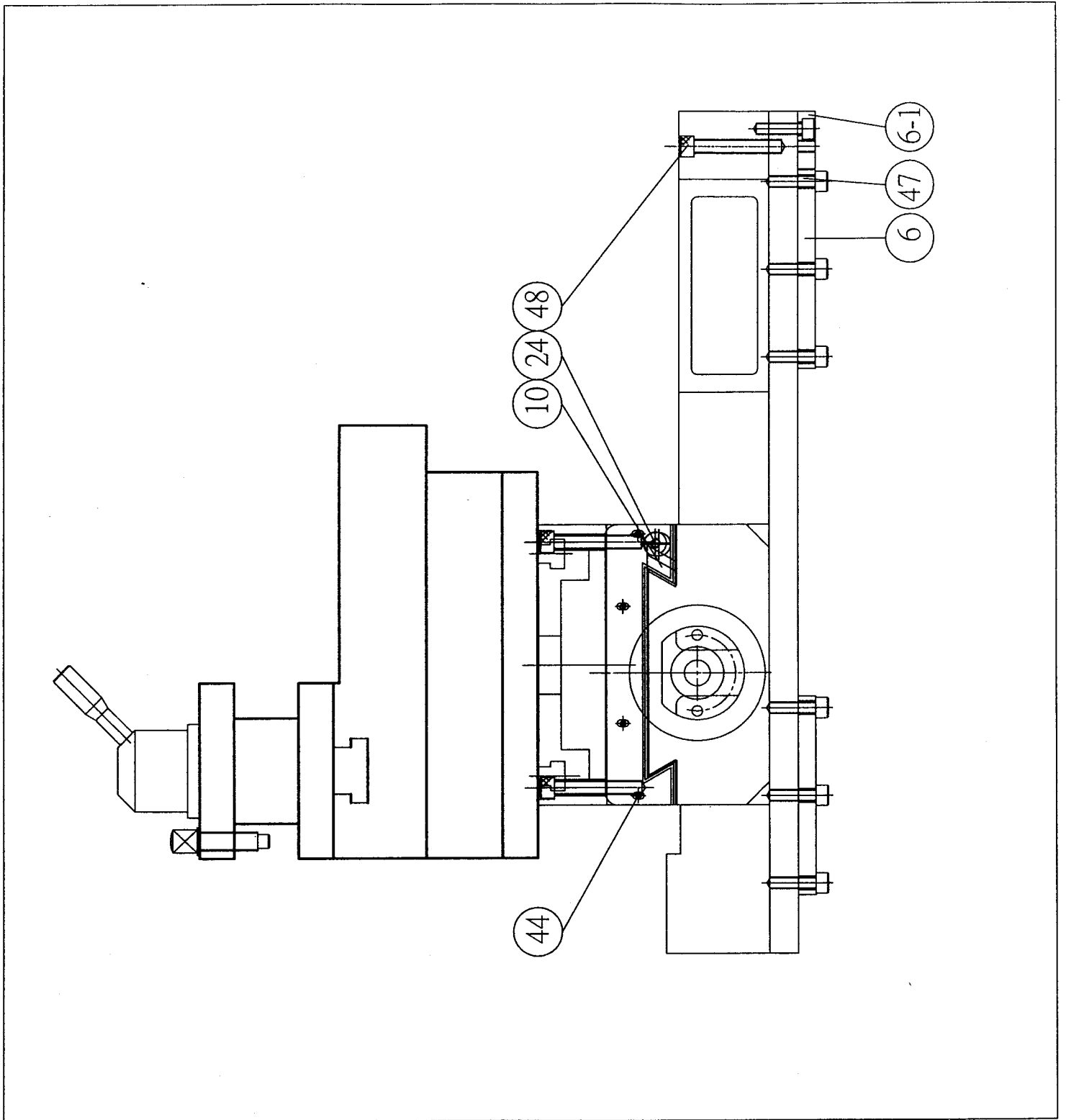
APRON

SERIAL NO.	PARTS NO.	DESCRIPTION	Q'TY
121	A3056	Shaft	1
122	A3072	Handle	1
123	A3039	Cover	1
124	A3025	Gear	1
125		Snap Ring (S12)	1
126	A3026	Shaft	1
127		Spring	1
128	A3029	Shaft	1
129		oil Seal (13246)	1
130	A3022	Bracket	1
131	A3023	Gear	1
132		Motor	1
133	A3075	Cover	1
134		Screw (M6 ×12L)	2
135	A3055	Cam	1
136	A3078	Shaft	1
137	A3063	Block	1
138	A3059	Shaft	1
139		Key (6 ×6 ×25)	1
140		Bearing (6203)	2

Saddle, Tool Post & Compound Rest



Saddle, Tool Post & Compound Rest

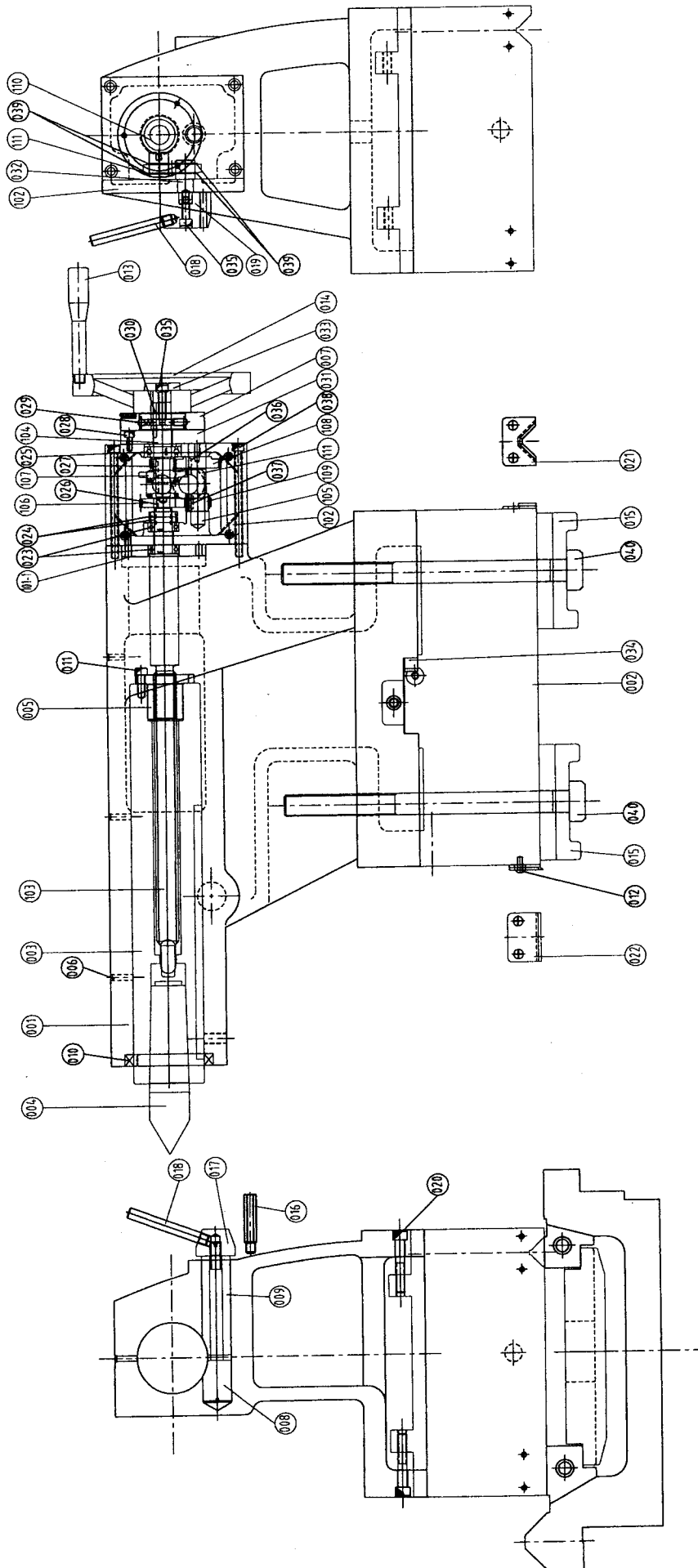


Saddle, Tool Post & Compound Assembly

Serial No.	Part No.	Description	Q'ty
1	33S-001000	Saddle	1
2	33S-002000	Cross-slide	1
2-1	33S-002100	Base for compound rest w/engraving degree	1
4	33CS-004200	Gib plate-back	1
5	33CS-005000	Gib	1
6	33S-006000	Saddle locating plate	2
6-1	33S-006100	Saddle plate	1
7-2	33S-007200	Lead screw	1
7-3	33S-007300	Front screw shaft	1
8	33S-008000	Screw nut assembly	1
9	33S-009000	Lead screw gear	1
10	33CS-003000	Gib-slide/saddle	1
11	33S-011000	Calibrating dial post	1
13	25S-013100	Dial insert	1
14	25S-014000	Locking screw	1
15	33S-015000	Calibrating dial	1
16	25S-016100	Hex screw nut	2
17	25S-017018B	Hand grip assembly	1
21	33S-021000	Square Nut	3
22	33S-022000	Leadscrew end bracket	1
24	25S-024100	Gib screw	4
25	33CS-020000	Wiper-front	1
26	33CS-023000	Wiper-back	1
27	33CS-022000	Wiper saddle/bed-front	2
28	33CS-021000	Wiper saddle/bed-rear	2
40	51103	Thrust bearing 51103	3
41	51104	Thrust bearing 51104	1
42	4*4*32	Key 4*4*32	1
43	6*6*25	Key 6*6*26	1
44	M5*12	Round head cap screw M5*12	20
45	M8*25	Socket head cap screw M8*25	2
46	M8*45	Socket head cap screw M8*45	4
47	M10*40	Socket head cap screw M10*40	12
48	M12*75	Socket head cap screw M12*75	1

Serial No.	Part No.	Description	Q'ty
49	M12	Socket head cap screw M12	4
50	M6*20	Socket set screw M6*20	1
51	M8*8	Socket set screw M8*8	1
52	M8*40	Socket set screw M8*40	2
53		Roll pin	1
54		Spring	1
55		Steel ball M8	1
56		Washer M8	2
57		Spring washer M8	2
62		Clamping bolt	1
63		Handle boss	1
64	33S-054	Handle	1
65	33S-055	Thrust bearing 51104	1
66	33S-056	Bearing spacer	1
67	33S-057	Set screw	3
68	33S-058	Tool post	1
69	33S-059	Setting pin	1
70	33S-060	Sleeve	1
71	33S-061	Locking block	1
72	33S-062	Gib tool post	1
73	33S-063	Gib screw- tool post	1
74	33S-064	Seating screw	12
75	33S-065	Screw	3
76	33S-066	Pin	1
77	33S-067	Spring 5*12	1

TAILSTOCK



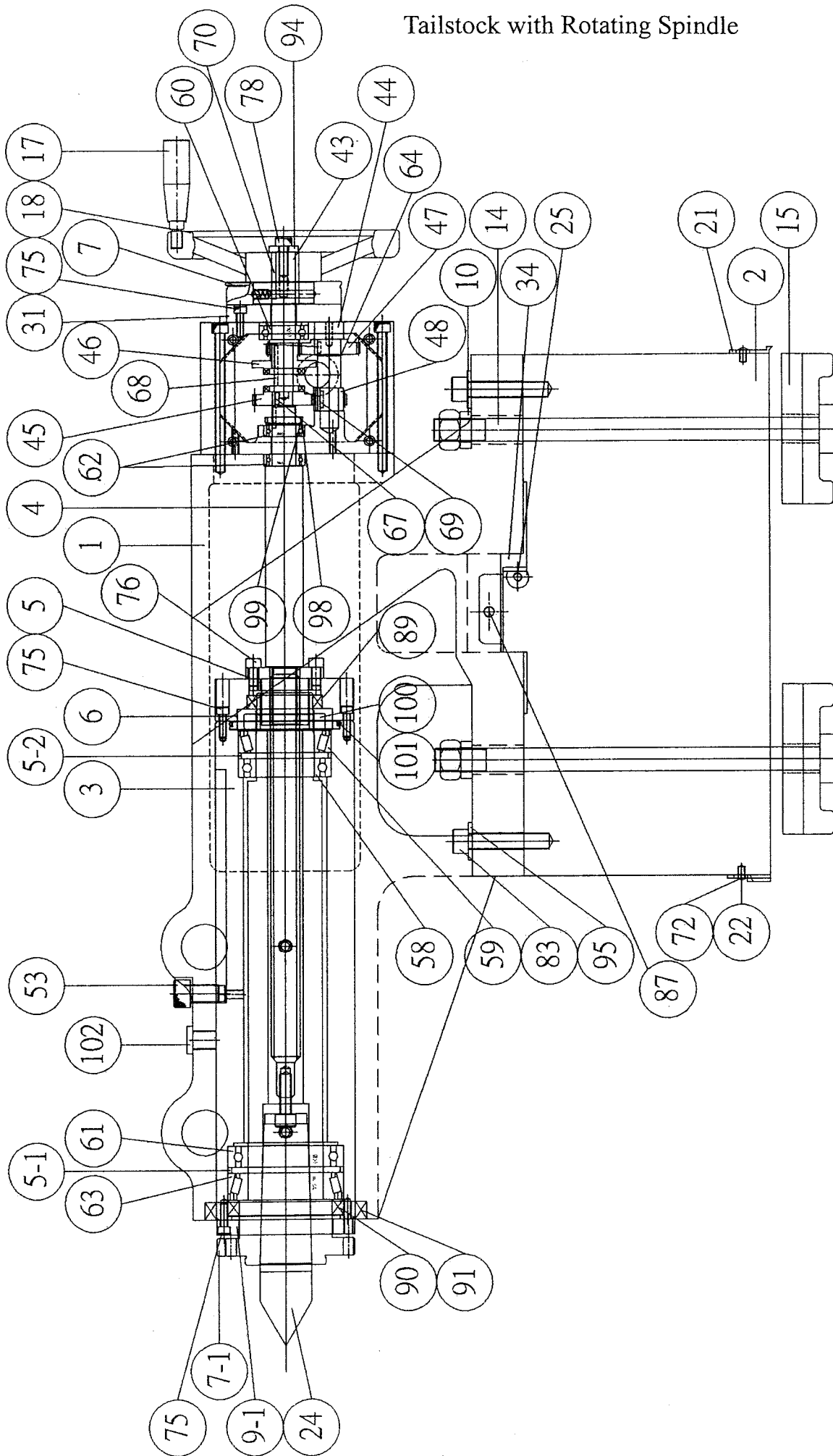
TAILSTOCK

SERIAL NO.	PARTS NO.	DESCRIPTION	Q'TY
1	33T-001	Tailstock	1
2	33T-002	Tailstock Base	1
3	33T-003	Quill	1
4	33T-004	Center	1
5	33T-005	Locking Nut	1
6	33T-006	Grease Cup	3
7	33T-007	Calibrating Ring	1
8	33T-008	Locking Sleeve	1
9	33T-009	Locking Sleeve	1
10	33T-010	Oil Sealer (100×80×13)	1
11	33T-011	Screw (M8×25L)	1
12	33T-012	Cap Screw (M6×15L)	8
13	33T-013	Handle	1
14	33T-014	Handwheel	1
15	33T-015	Holding Down Plate	2
16	33T-016	Hex. Bolt	1
17	33T-017	Locking Stick	1
18	33T-018	Locking Lever	2
19	33T-019	Speed Lever Post	1
20	33T-020	Screw (M10×60L)	2
21	33T-021	Wiper Sheet	2
22	33T-022	Wiper Sheet	2
23	33T-023	Bearing (51104)	2
24	33T-024	Locking Nut (M20×1")	2
25	33T-025	Bearing (6004)	1
26	33T-026	Round Key (5×5×10)	1
27	33T-027	Round Key (5×5×35)	3
28	33T-028	Screw (M6×15L)	1
29	33T-029	Steel Ball (φ8)	1
30	33T-030	Round Key (6×6×32)	2
31	33T-031	Snap Cover	1
32	33T-032	Shaft	1
33	33T-033	Dog Plate	1
34	33T-034	Wedge	1
35	33T-035	Screw (M8×30L)	2
36	33T-036	Round Key (6×6×10)	1
37	33T-037	Round Key (5×5×15)	1
38	33T-038	Screw (M8×120L)	1
39	33T-039	C Locker (S22)	1
38	33T-038	Screw (M24×300L)	1

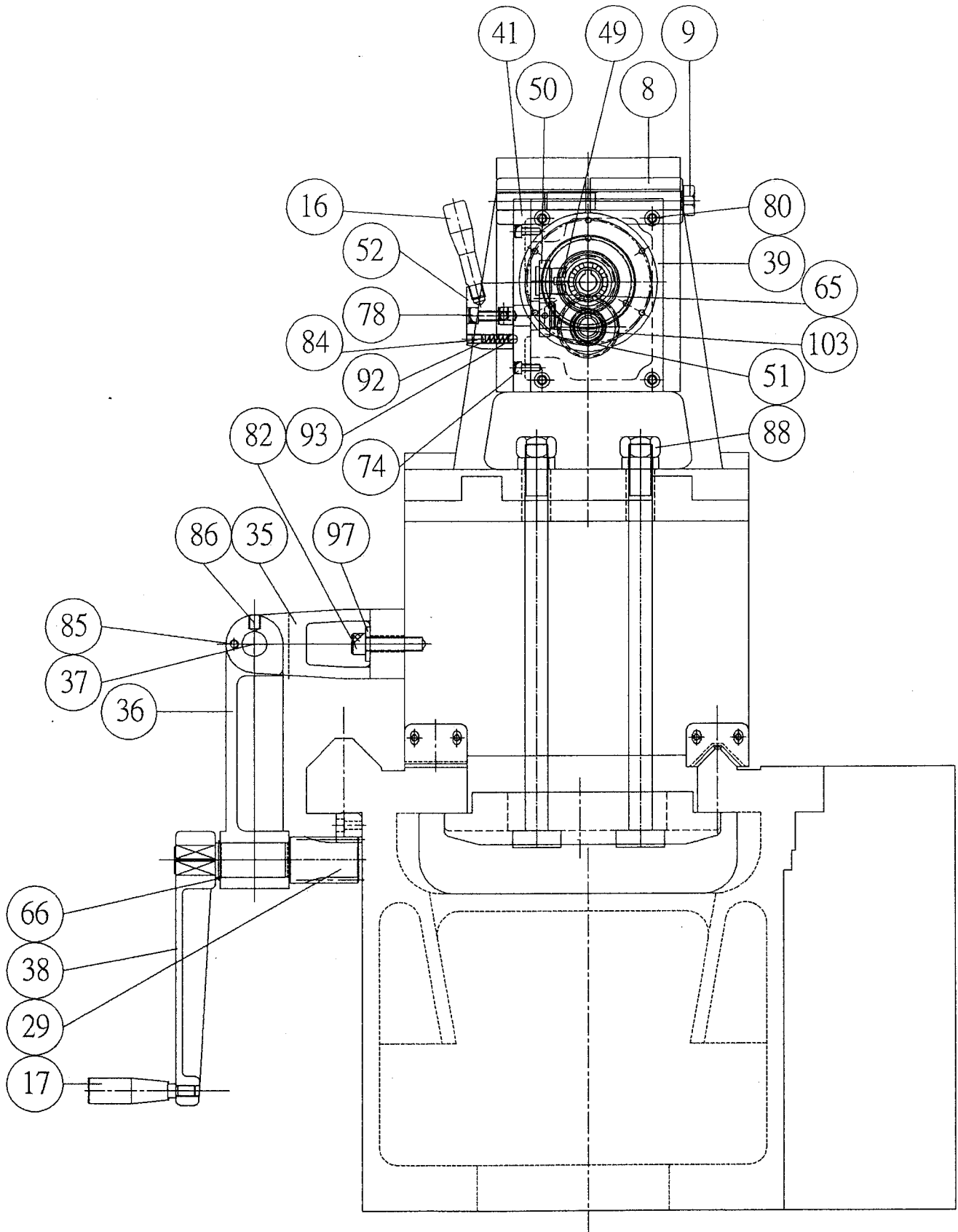
TAILSTOCK

SERIAL NO.	PARTS NO.	DESCRIPTION	Q'TY
101	33T-101	Speed Gear Box	1
101-1	33T-101-1	Locking Block	1
102	33T-102	Cover	1
103	33T-103	Screw Lever	1
104	33T-104	Mandrel	1
105	33T-105	Shaft	1
106	33T-106	Clutch Couple	1
107	33T-107	Clutch Couple	1
108	33T-108	Spur Gear	1
109	33T-109	Spur Gear	1
110	33T-110	Swing Block	1
111	33T-111	Bracket	1

Tailstock with Rotating Spindle



Tailstock with Rotating Spindle

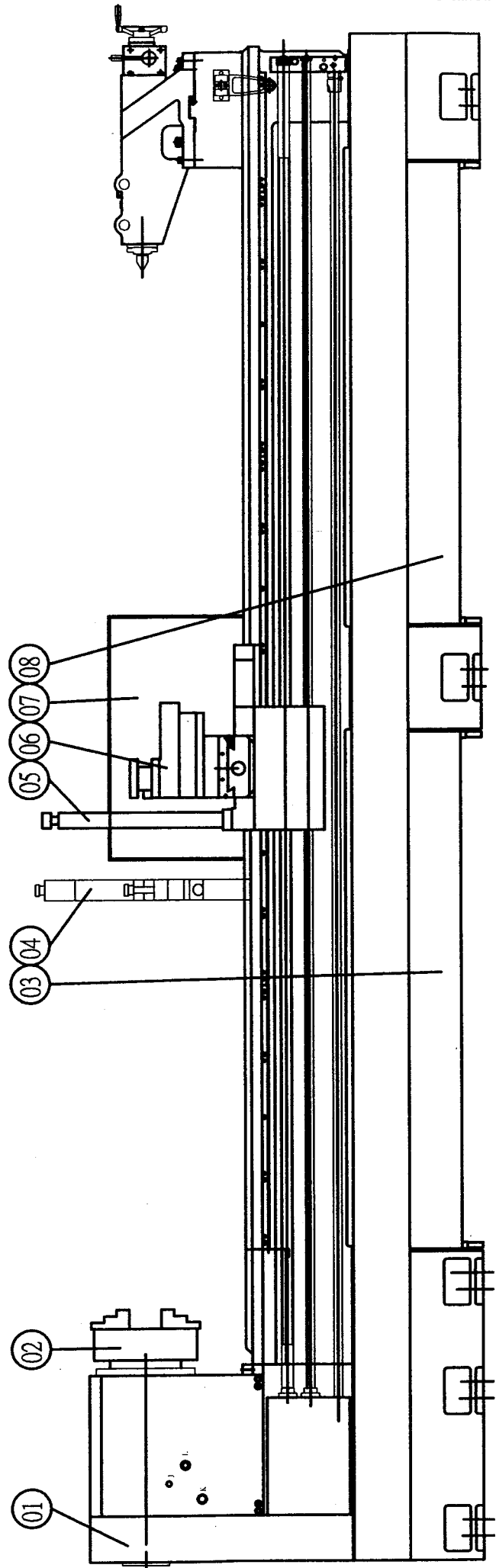


Tailstock with Rotating Spindle

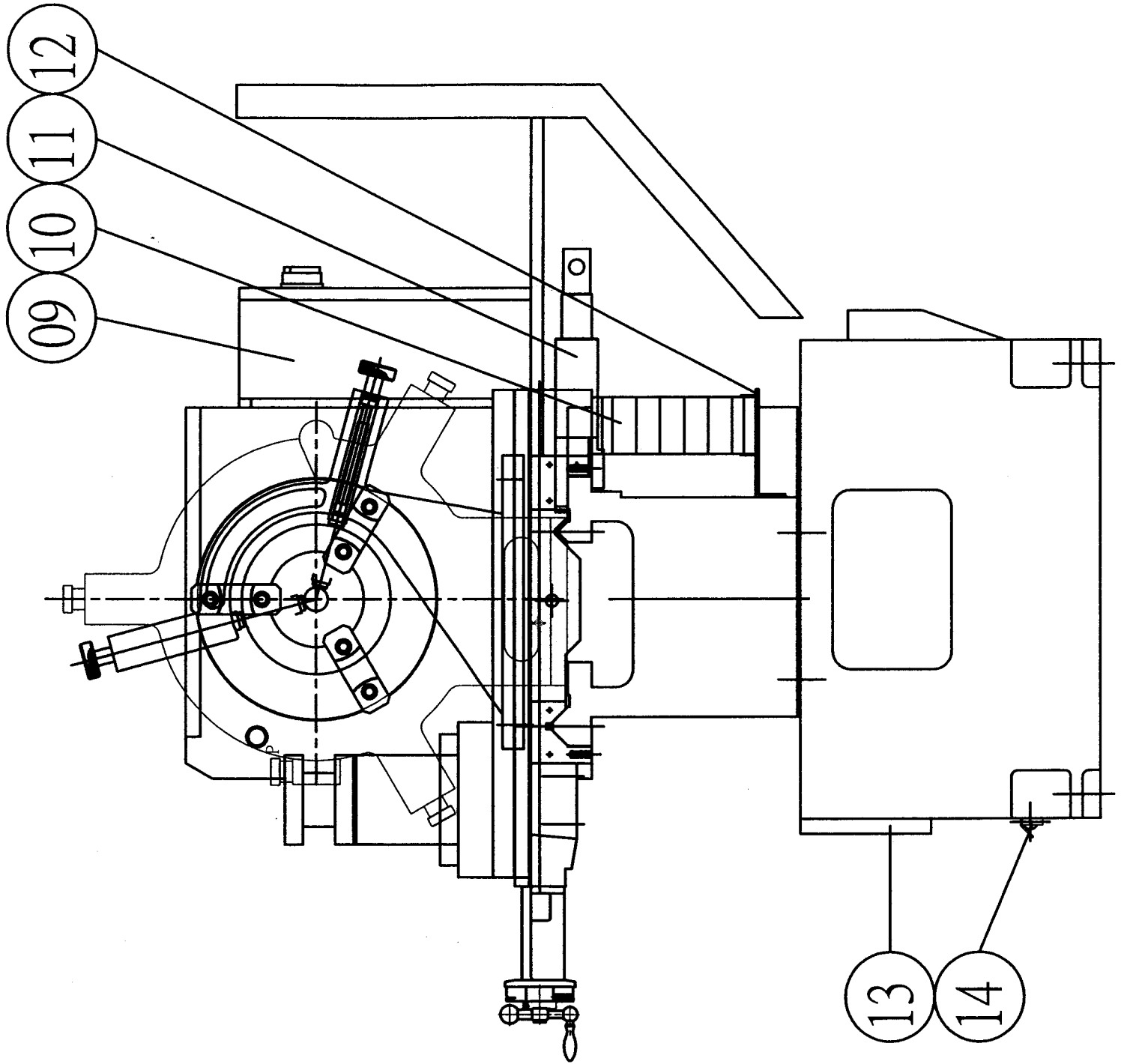
Serial No.	Part No.	Description	Q'ty
1	33T-001000	Tailstock	1
2	26T-002C00	Tailstock base	1
	30T-002C00	Tailstock base	
	33T-002C00	Tailstock base	
3	33T-H03001	Quill	1
4	33T-1030I0	Tailstock leadscrew inch	1
	33T-1020M0	Tailstock leadscrew M	
5	25T-0050I0	Leadscrew nut inch	1
	25T-0050M0	Leadscrew nut M	
5-1	33T-H05001	Front bearing spacer	1
5-2	33T-H05002	Back bearing spacer	1
6	33T-H06001	Leadscrew base	1
7	25T-0070I0	Dial inch	1
	25T-0070M0	Dial M	
7-1	33T-H07001	Tailstock spindle	1
8	33T-H08000	Tailstock spindle locknut	2
9	33T-009000	Locknut screw	1
9-1	33T-H09001	Front cover	1
10	25T-010000	Spacer	4
14	26T-014000	Hex head cap screw	4
	30T-014000	Hex head cap screw	
	33T-014000	Hex head cap screw	
15	33T-015000	Locating plate	2
16	18HA-069000	Locking lever	1
17	20A-057000	Grip handle	2
18	20A-010000	Handwheel	1
21	33T-021000	Wiper blade-back	2
22	33T-022000	Wiper blade-front	2
24		Dead center	1
25	25S-024100	Gib screw	2
29	33T-029000	Gear shaft	1
31	33T-031000	Bearing cap	1
34	33T-034000	Gib	1
35	33T-035000	Top bracket	1

Serial No.	Part No.	Description	Q'ty
36	33T-036000	Lower bracket	1
37	33T-037000	Round shaft	1
38	33T-038000	Swing arm	1
39	33T-101000	Tailstock gear box	1
41	33T-102000	Gear box cover	1
43	33T-104000	Spacer shaft	1
44	33T-105000	Gear shaft	1
45	33T-106000	Clutch gear	1
46	33T-107000	Clutch gear	1
47	33T-108000	Gear	1
48	33T-109000	Engaging gear	1
49	33T-110000	Guiding bracket	1
50	33T-111000	Guiding bracket	1
51	33T-112000	Lower shaft	1
52	18HA-068000	Clutch engaging base	1
53	33T-039000	Locating screw	1
54	33T-039000	Locating screw	1
58		Ball bearing 6010	1
59		Taper roller bearing ET-32010X	1
60		Ball bearing 6004	1
61		Ball bearing 6013	1
62		Thrust bearing 51104	3
63		Taper roller bearing 32013XU	1
64		C type snap ring-S20	1
65		C type snap ring-S20	1
66		C type snap ring-S30	1
103		C type snap ring-S22	1
67		Key-5*5*10	2
68		Key-5*5*15	1
69		Key-5*5*32	1
70		Key-6*6*40	1
71		Key-8*7*15	2
72		Round head socket cap screw M6*10	8
74		Socket head cap screw-M6*16	4
75		Socket head cap screw-M6*20	15
76		Socket head cap screw-M8*16	3

Serial No.	Part No.	Description	Q'ty
78		Socket head cap screw-M8*25	2
80		Socket head cap screw-M8*120	4
82		Socket head cap screw-M12*50	2
83		Socket head cap screw-M14*70	4
84		Socket head set screw-M8*8	1
85		Socket head set screw-M8*25	1
86		Socket head set screw-M10*12	1
87		Socket head set screw-M10*45	1
88		Hex nut M20	4
89		Oil seal 48*65*10	1
90		Oil seal 80*100*13	1
91		Oil seal 120*140*15	1
92		Spring	2
93		Steel ball	2
94		Washer M8	1
95		Washer M14	4
97		Spring washer M12	2
98		Lock nut	1
99		Lock washer	1
100		Precision lock nut YSR-M50*P1.5	1
101		O ring G90	1
102		Oil fitting 3/8"	1



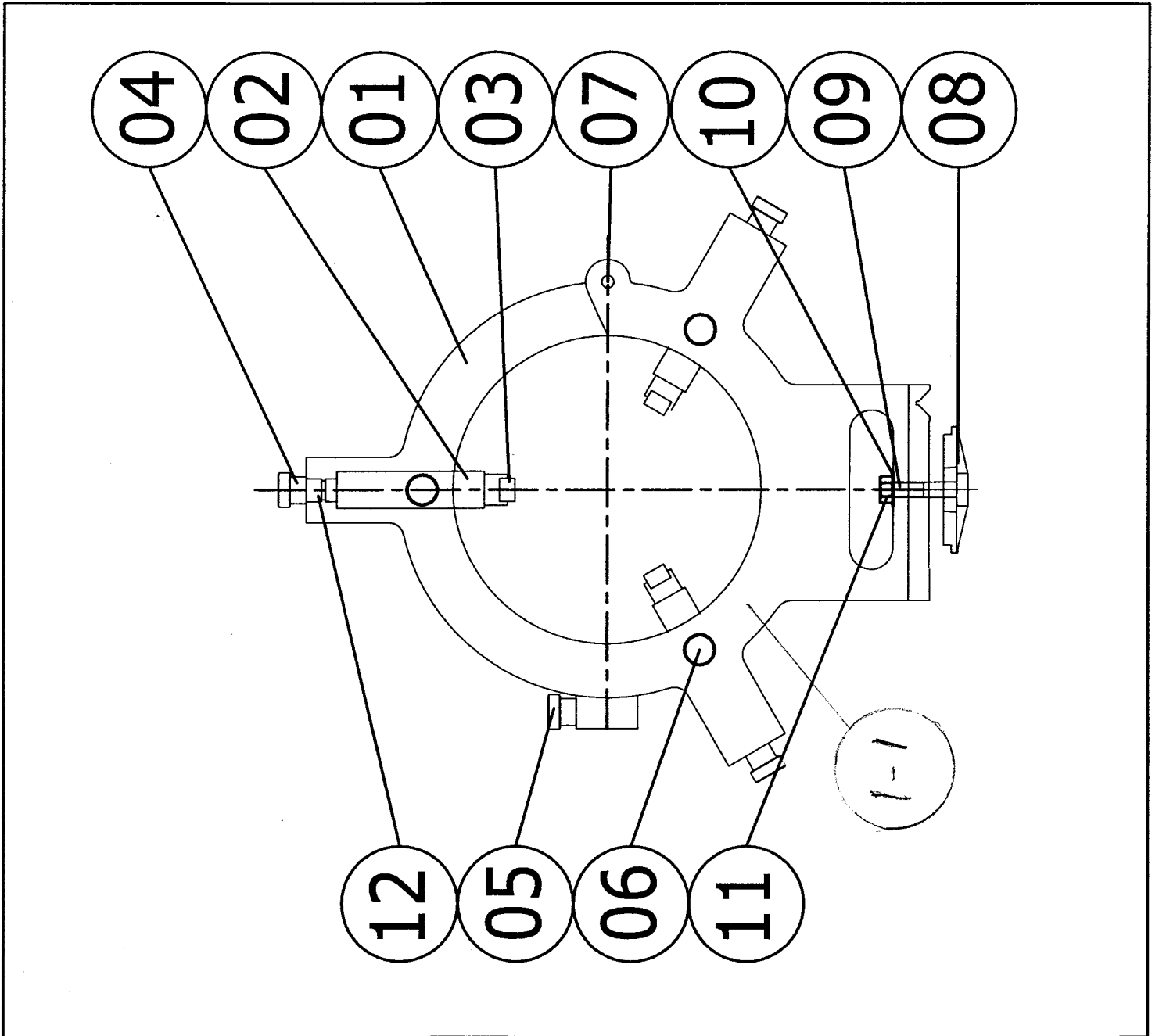
Bed Sheet Metal & Other Accessories



Bed, Sheet Metal & Other Accessories

Serial No.	Part No.	Description	Q'ty
1	33BA-001	Side cover for headstock	1
2		3 jaw scroll chuck SK-16"	1
3	33BA-002	Coolant tank w/pump-front	1
4		Steady rest	1
5		Follow rest	1
6	(H205)	4 ways tool post 150-250L	1
7	33BA-003	Follow-able splash guard	1
8	33BA-004	Coolant tank-back	1
9	33BA-005	Electric cabinet	1
10	33BA-006	Retractable wire encasing	1
11		Taper turning attachment holding bracket	1
12	33BA-007	Support bracket for wire encasing	1
13	33BA-008	Front cover plate	1
14	33BA-009	Brake pedal	1

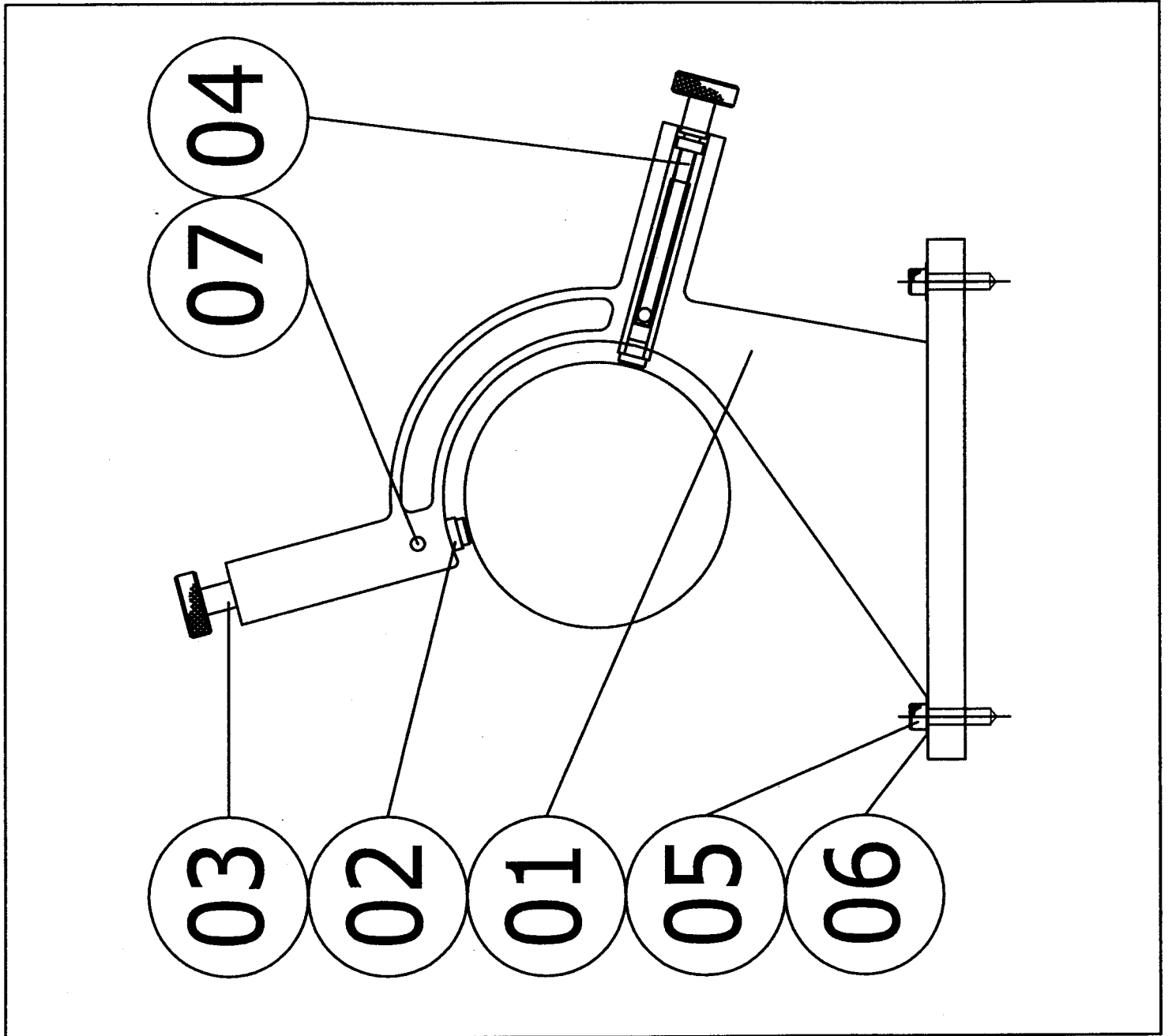
Steady Rest



Steady Rest

Serial No.	Part No.	Description	Q'ty
1	33SR-001	Steady rest housing-top	1
1-1	33SR-002	Steady rest housing-lower	1
2	33SR-003	Roller shaft	3
3	33SR-004	Shaft roller	3
4	33SR-005	Adjusting knob	3
5	33SR-006	Housings tighten knob	1
6	33SR-007	Shaft locating screw	3
7	33SR-008	Housings connecting screw	1
8	25T-015100	Locating plate	1
9	3/8"-L4	Square head cap screw	1
10	20-37-4	Square washer	1
11	3/8"	Hex nut	1
12	33SR-009	Adjusting shaft	1

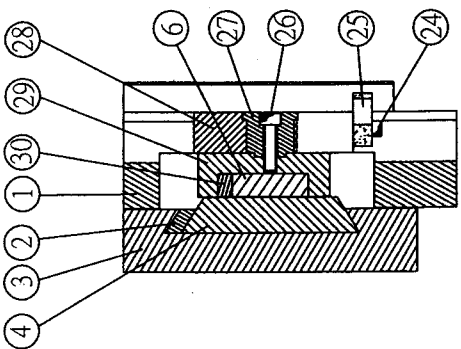
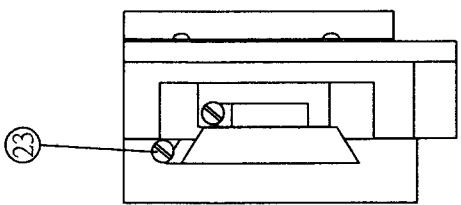
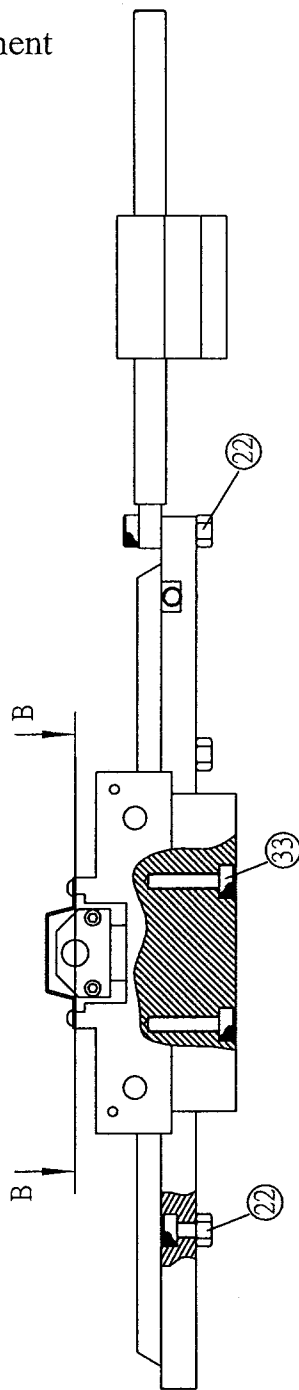
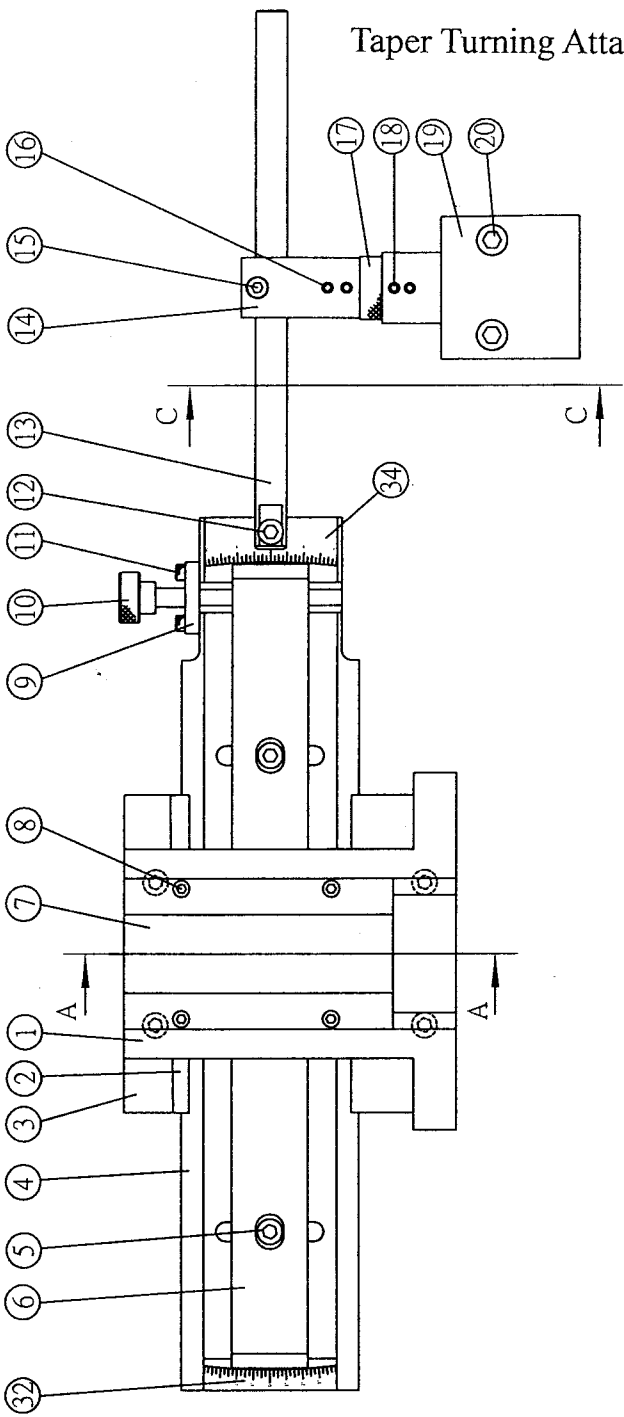
Follow Rest



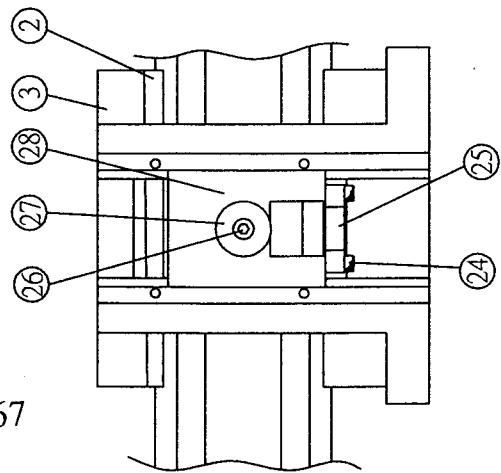
Follow Rest

Serial No.	Part No.	Description	Q'ty
1	33FR-001	Follow rest housing	1
2	33FR-002	Shaft with brass tip	2
3	33FR-003	Adjust knob	2
4	33FR-004	Shaft screw	2
5	M16*L60	Socket head cap screw	2
6	M16	Washer	2
7		Socket head set screw	2

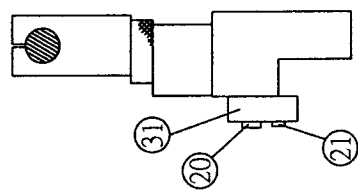
Taper Turning Attachment



A-A剖視



B-B剖視



C-C剖視

Taper Turning Attachment

Serial No.	Part No.	Description	Q'ty
1	33TA-001	Taper attachment body	1
2	33TA-002	Gib-taper turning attachment	1
3	33TA-003	Top slide casting	1
4	33TA-004	Sliding body	1
5	33TA-005	Socket head cap screw	2
6	33TA-006	Rotating/sliding plate	1
7	33TA-007	Top cover	1
8	33TA-008	Round head cap screw +	4
9	33TA-009	Locating plate	1
10	33TA-010	Screw with knob	1
11	33TA-011	Socket head cap screw	2
12	33TA-012	Socket head cap screw	1
13	33TA-013	Connecting shaft	1
14	33TA-014	Connecting bracket	1
15	33TA-015	Socket head cap screw	1
16	33TA-016	Socket cap set screw	2
17	33TA-017	Dual side connecting shaft	1
18	33TA-018	Socket cap set screw	2
19	33TA-019	Shaft locating bracket	1
20	33TA-020	Socket head cap screw	2
21	33TA-021	Socket cap set screw	1
22	33TA-022	Hex nut	2
23	33TA-023	Gib screw-taper attachment	2
24	33TA-024	Socket head cap screw	4
25	33TA-025	Screw connecting bracket	1
26	33TA-026	Socket head cap screw	1
27	33TA-027	Sleeve	1
28	33TA-028	Connecting plate	1
29	33TA-029	Plate	1
30	33TA-030	Gib	1