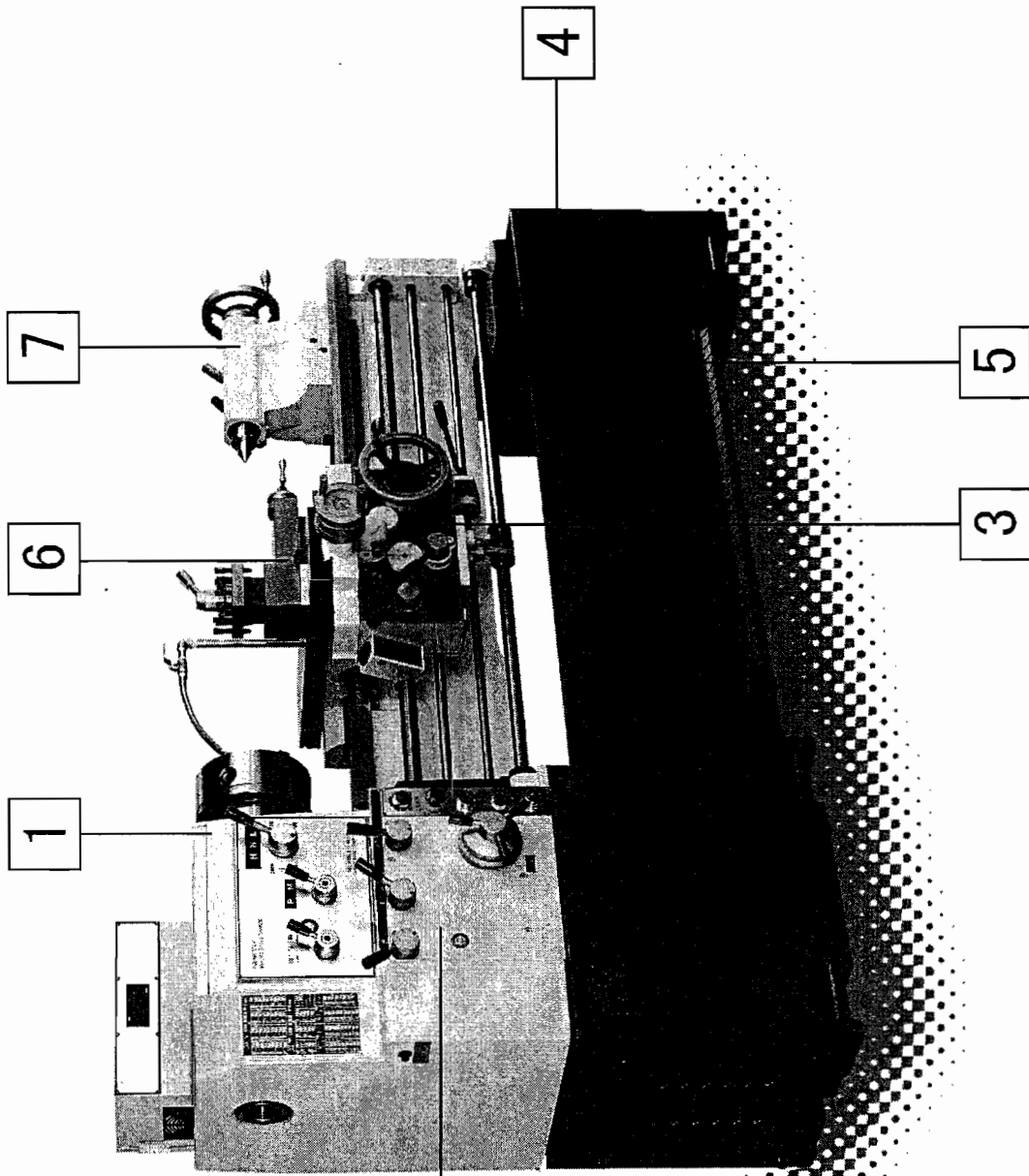


Mechanical Drawings & Parts Breakdown List

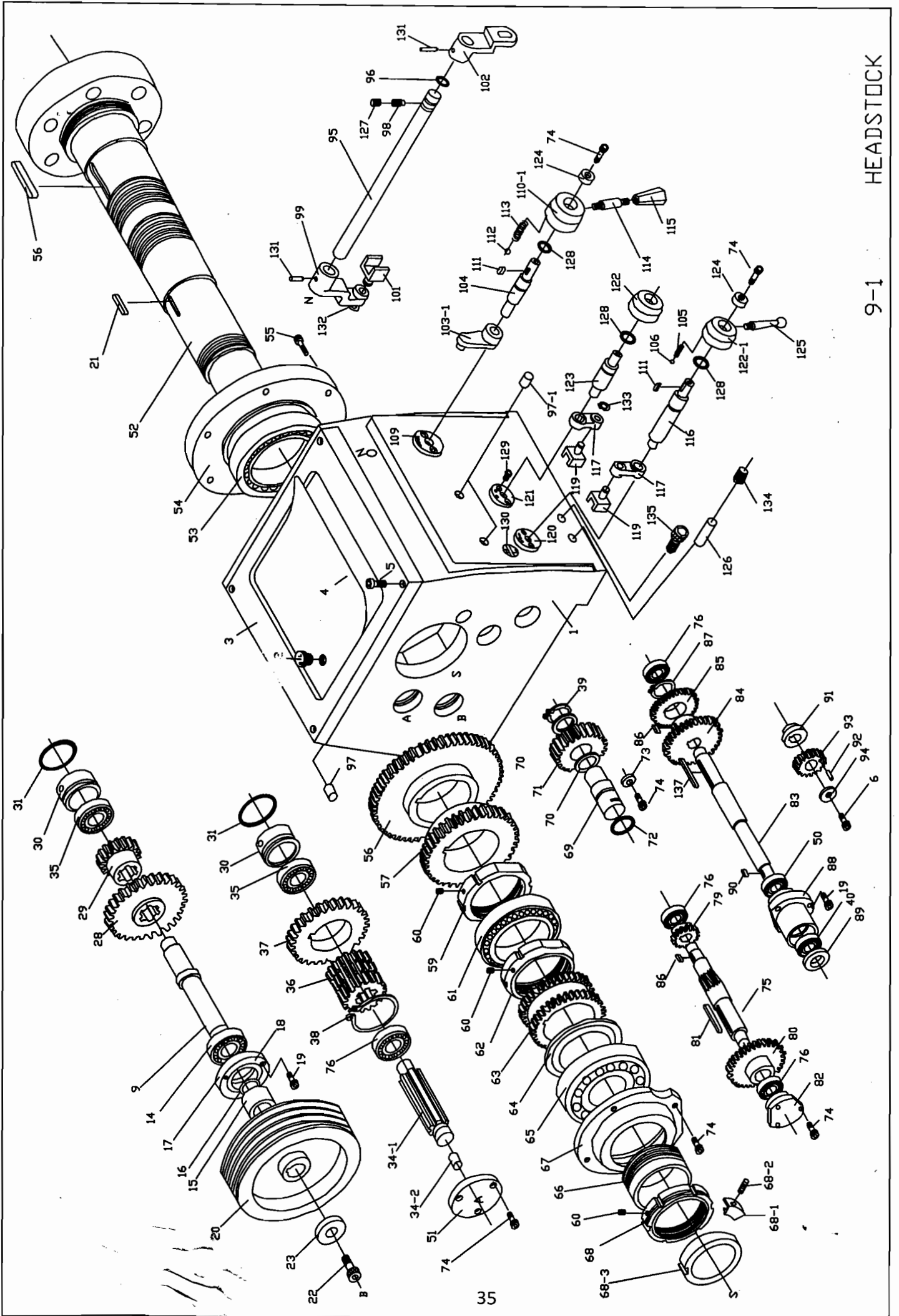
Note: When ordering parts, please be prepared with,

1. Machine model & serial number.
2. Item number.
3. Part number and description.
4. Year of Production.
5. Voltage & horsepower.
6. Quantity



- 9-1 HEADSTOCK
- 9-2 GEAR BOX
- 9-3 APRON
- 9-4 BED AND BASE
- 9-5 BRAKE SYSTEM
- 9-6 CARRIAGE AND CROSSFEED
- 9-6A CARRIAGE AND CROSSFEED
- 9-7 TAILSTOCK

9 SYSTEM IN EACH UNIT



HEADSTOCK ASSEMBLY (Spindle Bore : 58mm or 2")

ITEM NO.	Part Name	Amt. Used	Model: 17" (430)	Model: 19" (480)	Model: 21" (530)	名稱
			Part No.	Part No.	Part No.	
1	Head stock	1	3001001-173	3001001-193	3001001-213	主軸箱本體
2	Oil plug	1	3001002	3001002	3001002	油塞
3	Head stock cover	1	3001003	3001003	3001003	主軸箱蓋
4	Blanket	1	3001004	3001004	3001004	主軸箱蓋鐵皮
5	Hexagon socket screw, M8xP1.25x35L	4	91110835	91110835	91110835	六角承窩螺絲
6	Hexagon socket screw, M8xP1.25x25L	1	91110825	91110825	91110825	六角承窩螺絲
9	Input-shaft	1	3001009	3001009	3001009	輸入軸
14	Ball bearing , 6206	2	91301021	91301021	91301021	滾珠軸承
15	Collar	1	3001015	3001015	3001015	間隔圈
17	Housing	1	3001017	3001017	3001017	軸承蓋
18	Oil-seal , TC30x50x8	1	91523001	91523001	91523001	油封
19	Hexagon socket screw, M6xP1.0x25L	6	91110625	91110625	91110625	六角承窩螺絲
20	Pulley	1	3001020	3001020	3001020	從動皮帶輪
21	Square key , 8x7x45L	2				雙圓平行鍵
22	Hexagon socket screw, M12xP1.75x30L	1	91111230	91111230	91111230	六角承窩螺絲
23	Spring washer , 12	1				彈簧華司
28	Gear-k	1	3001028	3001028	3001028	齒輪
29	Gear-o	1	3001029	3001029	3001029	齒輪
30	Plug-cover	2	3001030	3001030	3001030	護蓋
31	O-ring , P55x3.5	2	9151P055	9151P055	9151P055	O型環
34-1	Shaft-L	1	3001034-001	3001034-001	3001034-001	L軸
34-2	Plug	1	3001034-002	3001034-002	3001034-002	塞子
35	Ball bearing , 6305	2	91301029	91301029	91301029	滾珠軸承
36	Gear-l	1	3001036	3001036	3001036	齒輪
37	Gear-m	1	3001037	3001037	3001037	齒輪
38	Snap ring , S65	2	9171S065	9171S065	9171S065	扣環
40	Ball bearing , 6005	3	91301010	91301010	91301010	滾珠軸承
50	Ball bearing , 6205	2	91301020	91301020	91301020	滾珠軸承
51	Cover	1	3001051	3001051	3001051	護蓋
52	Spindle (A1-6)	1	3001052-A01	3001052-A01	3001052-A01	主軸
	(D1-6)	1	3001052-D01	3001052-D01	3001052-D01	
53	Taper roller bearing, 32018	1	91302014	91302014	91302014	滾錐軸承
54	Cover (A1-6)	1	3001054-A01	3001054-A01	3001054-A01	主軸前護蓋
	(D1-6)	1	3001054-D01	3001054-D01	3001054-D01	
55	Hexagon socket screw, M6xP1.0x35L	6	91110635	91110635	91110635	六角承窩螺絲
56	Gear-p	1	3001056	3001056	3001056	齒輪
57	Gear-n	1	3001057	3001057	3001057	變速齒輪
58	Square key , 8x7x85L	1	91620806	91620806	91620806	雙圓平行鍵
59	Lock-nut	1	3001059	3001059	3001059	逼緊螺帽
60	Set screw, M8xP1.25x8L	5	91120808	91120808	91120808	固定螺絲

HEADSTOCK ASSEMBLY (Spindle Bore : 58mm or 2")

61	Taper roller bearing, 32017	1	91302013	91302013	91302013	滾錐軸承
62	Lock-nut	1	3001062	3001062	3001062	逼緊螺帽
63	Gear	1	3001063	3001063	3001063	齒輪
64	Collar	1	3001064	3001064	3001064	軸環
65	Ball bearing , 6215	1	91301024	91301024	91301024	滾珠軸承
66	Oil return collar	1	3001066	3001066	3001066	回油軸環
67	Cover	1	3001067	3001067	3001067	主軸後護蓋
68	Lock-nut	1	3001068	3001068	3001068	逼緊螺帽
68-1	Balance piece	2	3001068-001	3001068-001	3001068-001	平衡片
68-2	Set screw, M5x8	4	3001068-002	3001068-002	3001068-002	定位螺絲
68-3	Touch collar	1	3001068-003	3001068-003	3001068-003	感應輪
69	Idle gear shaft	1	3001069	3001069	3001069	惰輪軸
70	Spacer	2	3001070	3001070	3001070	間隔圈
71	Idle gear	1	3001071	3001071	3001071	惰輪
72	O-ring , P29	1	9151P029	9151P029	9151P029	O型環
73	Washer	1	3001073	3001073	3001073	墊圈
74	Hexagon socket screw, M6xP1.0x16L	16	91110616	91110616	91110616	六角承窩螺絲
75	Gear shaft-C	1	3001075	3001075	3001075	齒輪軸
76	Ball bearing , 6204	5	91301018	91301018	91301018	滾珠軸承
79	Gear	1	3001079	3001079	3001079	齒輪
80	Gear	1	3001080	3001080	3001080	齒輪
81	Square key , 6x6x65L	1				雙圓平行鍵
82	Cover	1	3001082	3001082	3001082	護蓋
83	Shaft-D	1	3001083	3001083	3001083	D軸
84	Gear	1	3001084	3001084	3001084	齒輪
85	Gear	1	3001085	3001085	3001085	齒輪
86	Square key , 6x6x18L	2	91610604	91610604	91610604	雙圓平行鍵
87	Snap ring , S40	1	9171S040	9171S040	9171S040	扣環
88	Housing	1	3001088	3001088	3001088	後列齒輪軸護蓋
89	Oil-seal , TC25x47x8L	1	91522501	91522501	91522501	油封
90	Square key , 6x6x12L	1	91610601	91610601	91610601	雙圓平行鍵
91	Collar	1	3001091	3001091	3001091	軸環
92	Taper pin ,0 #25L	1	82010025	82010025	82010025	推拔銷
93	Gear (24T in)	1	3001093	3001093	3001093	輸出齒輪
	Gear (41T mm)	1	3001093-001	3001093-001	3001093-001	
94	Washer	1				華司
95	Shifting shaft	1	3001095	3001095	3001095	撥桿軸
96	O-ring , P16	6	9151P016	9151P016	9151P016	O型環
97	Plug	3	3001097	3001097	3001097	塞子
97-2	Plug	1	3001097-002	3001097-002	3001097-002	塞子
98	Set screw	3	3001098	3001098	3001098	定位螺絲
99	Shifting lever	3	3001099	3001099	3001099	搖臂
101	Shifting fork	1	3001101	3001101	3001101	撥塊
102	Shifting lever	1	3001102	3001102	3001102	撥叉
103-1	Shifting lever	1	3001103-001	3001103-001	3001103-001	搖臂
104	Shaft	1	3001104	3001104	3001104	撥桿軸

HEADSTOCK ASSEMBLY (Spindle Bore : 58mm or 2")

105	Spring , D6xd0.8x25L	2	91901060102902	91901060102902	91901060102902	彈簧
106	Ball steel , ϕ 1/4"	2	91820104	91820104	91820104	鋼珠
109	Detent plate	1	3001109	3001109	3001109	定位片
110-2	Hub	1	3001110-002	3001110-002	3001110-002	變速把手
111	Square key , 5x5x15L	2	91610501	91610501	91610501	雙圓平行鍵
112	Ball steel , ϕ 5/16"	1	91820516	91820516	91820516	鋼珠
113	Spring , D8xd0.8x25L	1	3001113	3001113	3001113	彈簧
114	Lever	1	3001114	3001114	3001114	撥桿軸套
115	Knob	3	3001115	3001115	3001115	電木把手
116	Shaft	1	3001116	3001116	3001116	撥桿軸
117	Shifting lever	2	3001117	3001117	3001117	搖臂
118	Shifting fork	1	3001118	3001118	3001118	撥塊
119	Shifting fork	1	3001119	3001119	3001119	撥塊
119-1	Shifting fork	1	3001119-001	3001119-001	3001119-001	撥塊
120	Detent plate	1	3001120	3001120	3001120	定位片
121	Detent plate	1	3001121	3001121	3001121	定位片
122	Knob	1	3001122	3001122	3001122	變速把手
122-1	Knob	1	3001122-001	3001122-001	3001122-001	變速把手
123	Shaft	1	3001123	3001123	3001123	撥桿軸
124	Washer	5	3001124	3001124	3001124	墊圈
125	Lever	2	3001125	3001125	3001125	電木把手
126	Pin	2	3001126	3001126	3001126	調整銷
127	Set screw , M8xP1.25x10L	3	91120810	91120810	91120810	固定螺絲
128	O-ring , P18xP1.0x14L	5	9151P018	9151P018	9151P018	O型環
129	Screw , M6xP1.0x14L	10	91160614	91160614	91160614	六角孔埋頭螺絲
130	Lenz-oil , ϕ 29	1	93902003000004	93902003000004	93902003000004	油鏡
131	Spring pin , ϕ 5x32L	9	92030532	92030532	92030532	彈簧銷
	Spring pin , ϕ 5x26L	2	92030526	92030526	92030526	彈簧銷
132	Snap ring , S12	3	9171S012	9171S012	9171S012	扣環
133	Snap ring , S10	2	9171S010	9171S010	9171S010	扣環
134	Set screw , M10xP1.25x20L	2	91121020	91121020	91121020	固定螺絲
135	Hexagon socket screw, M10xP1.5x95L	2	91111095	91111095	91111095	六角承窩螺絲
136	Hexagon socket screw, M6xP1.0x40L	4	91110640	91110640	91110640	六角承窩螺絲
137	Square key , 6x6x70L	1	91610608	91610608	91610608	雙圓平行鍵

HEADSTOCK ASSEMBLY (Spindle Bore : 78mm or 3")

ITEM NO.	Part Name	Amt. Used	Model: 17" (430) Part No.	Model: 19" (480) Part No.	Model: 21" (530) Part No.	名稱
1	Head stock	1	3001001-173	3001001-193	3001001-213	主軸箱本體
2	Oil plug	1	3001002	3001002	3001002	油塞
3	Head stock cover	1	3001003	3001003	3001003	主軸箱蓋
4	Blanket	1	3001004	3001004	3001004	主軸箱蓋鐵皮
5	Hexagon socket screw, M8xP1.25x35L	4	91110835	91110835	91110835	六角承窩螺絲
6	Hexagon socket screw, M8xP1.25x25L	1	91110825	91110825	91110825	六角承窩螺絲
9	Input-shaft	1	3001009	3001009	3001009	輸入軸
14	Ball bearing , 6206	2	91301021	91301021	91301021	滾珠軸承
15	Collar	1	3001015	3001015	3001015	間隔圈
17	Housing	1	3001017	3001017	3001017	軸承蓋
18	Oil-seal , TC30x50x8	1	91523001	91523001	91523001	油封
19	Hexagon socket screw, M6xP1.0x25L	6	91110625	91110625	91110625	六角承窩螺絲
20	Pulley	1	3001020-001	3001020-002	3001020-002	從動皮帶輪
21	Square key , 8x7x45L	2				雙圓平行鍵
22	Hexagon socket screw, M12xP1.75x30L	1	91111230	91111230	91111230	六角承窩螺絲
23	Spring washer , 12	1				彈簧華司
28	Gear-k	1	3001028	3001028	3001028	齒輪
29	Gear-o	1	3001029-001	3001029-001	3001029-001	齒輪
30	Plug-cover	2	3001030	3001030	3001030	護蓋
31	O-ring , P55x3.5	2	9151P055	9151P055	9151P055	O型環
34-1	Shaft-L	1	3001034-001	3001034-001	3001034-001	L軸
34-2	Plug	1	3001034-002	3001034-002	3001034-002	塞子
35	Ball bearing , 6305	2	91301029	91301029	91301029	滾珠軸承
36	Gear-l	1	3001036-001	3001036-001	3001036-001	齒輪
37	Gear-m	1	3001037-001	3001037-001	3001037-001	齒輪
38	Snap ring , S65	2	9171S065	9171S065	9171S065	扣環
40	Ball bearing , 6005	3	91301010	91301010	91301010	滾珠軸承
50	Ball bearing , 6205	2	91301020	91301020	91301020	滾珠軸承
51	Cover	1	3001051	3001051	3001051	護蓋
52	Spindle (A2-8)	1	3001052-A03	3001052-A03	3001052-A03	主軸
	(D1-8)	1	3001052-D03	3001052-D03	3001052-D03	主軸
53	Taper roller bearing, 32922	1				滾錐軸承
54	Cover	1	3001054-003	3001054-003	3001054-003	主軸前護蓋
55	Hexagon socket screw, M6xP1.0x35L	6	91110635	91110635	91110635	六角承窩螺絲
56	Gear-p	1	3001056-001	3001056-001	3001056-001	齒輪
57	Gear-n	1	3001057-001	3001057-001	3001057-001	變速齒輪
58	Square key , 8x7x85L	1	91620806	91620806	91620806	雙圓平行鍵
59	Lock-nut	1	3001059	3001059	3001059	逼緊螺帽
60	Set screw, M8xP1.25x8L	5	91120808	91120808	91120808	固定螺絲
61	Taper roller bearing, 32920	1				滾錐軸承

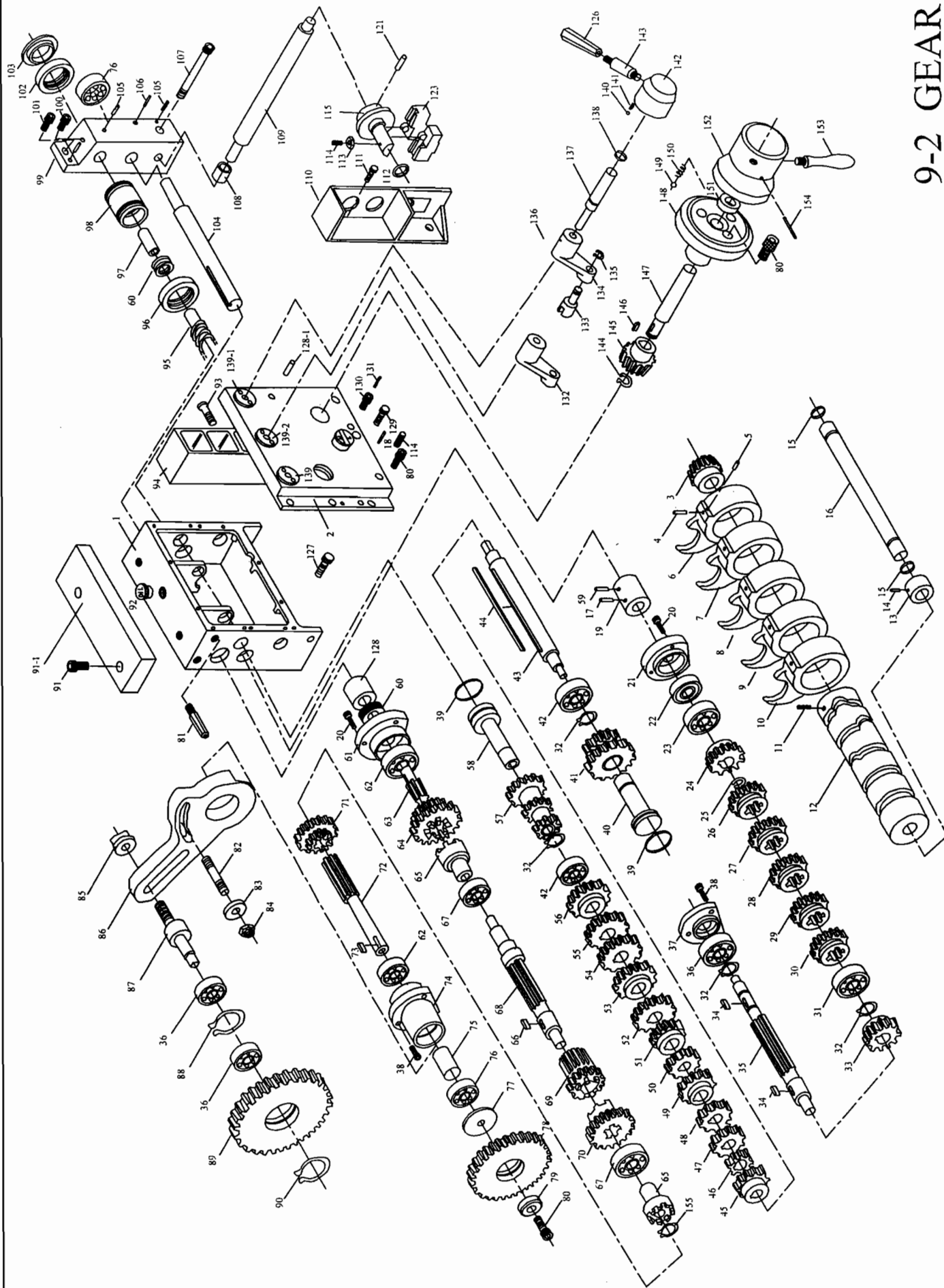
HEADSTOCK ASSEMBLY (Spindle Bore : 78mm or 3")

62	Lock-nut	1	9124F100	9124F100	9124F100	通緊螺帽
63	Gear	1	3001063-001	3001063-001	3001063-001	齒輪
64	Collar	1	3001064-001	3001064-001	3001064-001	軸環
65	Ball bearing , 6018	1				滾珠軸承
66	Oil return collar	1	3001066-001	3001066-001	3001066-001	回油軸環
67	Cover	1	3001067-001	3001067-001	3001067-001	主軸後護蓋
68	Lock-nut	1	3001068	3001068	3001068	通緊螺帽
68-1	Balance piece	2	3001068-003	3001068-003	3001068-003	平衡片
68-2	Set screw, M5x8	4	3001068-002	3001068-002	3001068-002	定位螺絲
68-3	Touch collar	1	3001068-004	3001068-004	3001068-004	感應輪
69	Idle gear shaft	1	3001069	3001069	3001069	惰輪軸
70	Spacer	2	3001070	3001070	3001070	間隔圈
71	Idle gear	1	3001071	3001071	3001071	惰輪
72	O-ring , P29	1	9151P029	9151P029	9151P029	O型環
73	Washer	1	3001073	3001073	3001073	墊圈
74	Hexagon socket screw, M6xP1.0x16L	16	91110616	91110616	91110616	六角承窩螺絲
75	Gear shaft-C	1	3001075	3001075	3001075	齒輪軸
76	Ball bearing , 6204	5	91301018	91301018	91301018	滾珠軸承
79	Gear	1	3001079	3001079	3001079	齒輪
80	Gear	1	3001080-001	3001080-001	3001080-001	齒輪
81	Square key , 6x6x65L	1				雙圓平行鍵
82	Cover	1	3001082	3001082	3001082	護蓋
83	Shaft-D	1	3001083-001	3001083-001	3001083-001	D軸
84	Gear	1	3001084	3001084	3001084	齒輪
85	Gear	1	3001085	3001085	3001085	齒輪
86	Square key , 6x6x18L	2	91610604	91610604	91610604	雙圓平行鍵
87	Snap ring , S40	1	9171S040	9171S040	9171S040	扣環
88	Housing	1	3001088	3001088	3001088	後列齒輪軸護蓋
89	Oil-seal , TC25x47x8L	1	91522501	91522501	91522501	油封
90	Square key , 6x6x12L	1	91610601	91610601	91610601	雙圓平行鍵
91	Collar	1	3001091	3001091	3001091	軸環
92	Taper pin ,0 #25L	1	82010025	82010025	82010025	推拔銷
93	Gear (24T in)	1	3001093	3001093	3001093	輸出齒輪
	Gear (41T mm)	1	3001093-001	3001093-001	3001093-001	
94	Washer	1				華司
95	Shifting shaft	1	3001095-001	3001095-001	3001095-001	撥桿軸
96	O-ring , P16	6	9151P016	9151P016	9151P016	O型環
97	Plug	3	3001097	3001097	3001097	塞子
97-2	Plug	2	3001097-002	3001097-002	3001097-002	塞子
98	Set screw	3	3001098	3001098	3001098	定位螺絲
99	Shifting lever	3	3001099	3001099	3001099	搖臂
101	Shifting fork	1	3001101	3001101	3001101	撥塊
102	Shifting lever	1	3001102	3001102	3001102	撥叉
103-1	Shifting lever	1	3001103-001	3001103-001	3001103-001	搖臂
104	Shaft	1	3001104	3001104	3001104	撥桿軸
105	Spring , D6xd0.8x25L	2	91901060102902	91901060102902	91901060102902	彈簧

HEADSTOCK ASSEMBLY (Spindle Bore : 78mm or 3")

106	Ball steel , $\phi 1/4"$	2	91820104	91820104	91820104	鋼珠
109	Detent plate	1	3001109	3001109	3001109	定位片
110-1	Hub	1	3001110-001	3001110-001	3001110-001	變速把手
111	Square key , 5x5x15L	2	91610501	91610501	91610501	雙圓平行鍵
112	Ball steel , $\phi 5/16"$	1	91820516	91820516	91820516	鋼珠
113	Spring , D8xd0.8x25L	1	3001113	3001113	3001113	彈簧
114	Lever	1	3001114	3001114	3001114	撥桿軸套
115	Knob	3	3001115	3001115	3001115	電木把手
116	Shaft	1	3001116	3001116	3001116	撥桿軸
117	Shifting lever	2	3001117	3001117	3001117	搖臂
118	Shifting fork	1	3001118	3001118	3001118	撥塊
119	Shifting fork	1	3001119	3001119	3001119	撥塊
119-1	Shifting fork	1	3001119-001	3001119-001	3001119-001	撥塊
120	Detent plate	1	3001120	3001120	3001120	定位片
121	Detent plate	1	3001121	3001121	3001121	定位片
122	Knob	1	3001122	3001122	3001122	變速把手
122-1	Knob	1	3001122-001	3001122-001	3001122-001	變速把手
123	Shaft	1	3001123	3001123	3001123	撥桿軸
124	Washer	5	3001124	3001124	3001124	墊圈
125	Lever	2	3001125	3001125	3001125	電木把手
126	Pin	2	3001126	3001126	3001126	調整銷
127	Set screw , M8xP1.25x10L	3	91120810	91120810	91120810	固定螺絲
128	O-ring , P18xP1.0x14L	5	9151P018	9151P018	9151P018	O型環
129	Screw , M6xP1.0x14L	10	91160614	91160614	91160614	六角孔埋頭螺絲
130	Lenz-oil , $\phi 29$	1	93902003000004	93902003000004	93902003000004	油鏡
131	Spring pin , $\phi 5x32L$	9	92030532	92030532	92030532	彈簧銷
	Spring pin , $\phi 5x26L$	2	92030526	92030526	92030526	彈簧銷
132	Snap ring , S12	3	9171S012	9171S012	9171S012	扣環
133	Snap ring , S10	2	9171S010	9171S010	9171S010	扣環
134	Set screw, M10xP1.25x20L	2	91121020	91121020	91121020	固定螺絲
135	Hexagon socket screw, M10xP1.5x95L	2	91111095	91111095	91111095	六角承窩螺絲
136	Hexagon socket screw, M6xP1.0x40L	4	91110640	91110640	91110640	六角承窩螺絲
137	Square key , 6x6x70L	1	91610608	91610608	91610608	雙圓平行鍵

9-2 GEAR BOX



GEAR BOX ASSEMBLY

ITEM NO.	Part Name	Amt. Used	Model: 17" (430)	Model: 19" (480)	Model: 21" (530)
			Part No.	Part No.	Part No.
1	Gear box	1	1210300307	1210300307	1210300307
2	Cover-gear	1	1210300101	1210300101	1210300101
3	Gear-driven bevel	1	1210300405	1210300405	1210300405
4	Pin-fixed	5	1210300503	1210300503	1210300503
5	Pin-split	5			
6	Claw-shifter	1	1210300601	1210300601	1210300601
7	Claw-shifter	1	1210300709	1210300709	1210300709
8	Claw-shifter	1	1210300807	1210300807	1210300807
9	Claw-shifter	1	1210300905	1210300905	1210300905
10	Claw-shifter	1	1210301000	1210301000	1210301000
11	Set screw , 8x12	1	1210301108	1210301108	1210301108
12	Cam-shifter	1	1210301206	1210301206	1210301206
13	Collar	1	1210301304	1210301304	1210301304
14	Set screw , M8x12	2			
15	Ring-"O" , P18	2			
16	Shaft-"A"	1	1210301402	1210301402	1210301402
17	Pin-taper , 4x38	3	92010438	92010438	92010438
18	Pin-taper , 6x38	2	1210702301	1210702301	1210702301
19	Collar-linkage	2	1210301500	1210301500	1210301500
20	Hexagon socket screw , M6xP1.0x16L	6			
21	Cap-right	1	1210301608	1210301608	1210301608
22	Seal-oil	1			
23	Bearing-ball , 6204	1	91301018	91301018	91301018
24	Gear-"B" shaft	1	1210301706	1210301706	1210301706
25	Snap ring , S25	2	9171S025	9171S025	9171S025
26	Gear-"B" shaft (22T)	1	1210301804	1210301804	1210301804
27	Gear-"B" shaft (22T)	1	1210301902	1210301902	1210301902
28	Gear-"B" shaft (33T)	1	1210302007	1210302007	1210302007
29	Gear-"B" shaft (22T)	1	1210302105	1210302105	1210302105
30	Gear-"B" shaft (22T)	1	1210302203	1210302203	1210302203
31	Ball bearing	1	91301006	91301006	91301006
32	Snap ring , S20	2			
33	Gear-"B" shaft (22T)	1	1210302301	1210302301	1210302301
34	Key square , 6x6x20L	2			
35	Shaft-"B"	1	1210302409	1210302409	1210302409
36	Bearing-ball , 6003	3	91301005	91301005	91301005
37	Cap-left	1	1210302507	1210302507	1210302507
38	Hexagon socket screw , M6xP1.0x12L	6			
39	Ring-"O" , P36	2			
40	Shaft-"C"	1	1210302605	1210302605	1210302605
41	Gear-"C" shaft (20T · 20T)	1	1210302703	1210302703	1210302703
42	Bearing , 6203	2	91301016	91301016	91301016
43	Shaft-"D"	1	1210302801	1210302801	1210302801

GEAR BOX ASSEMBLY

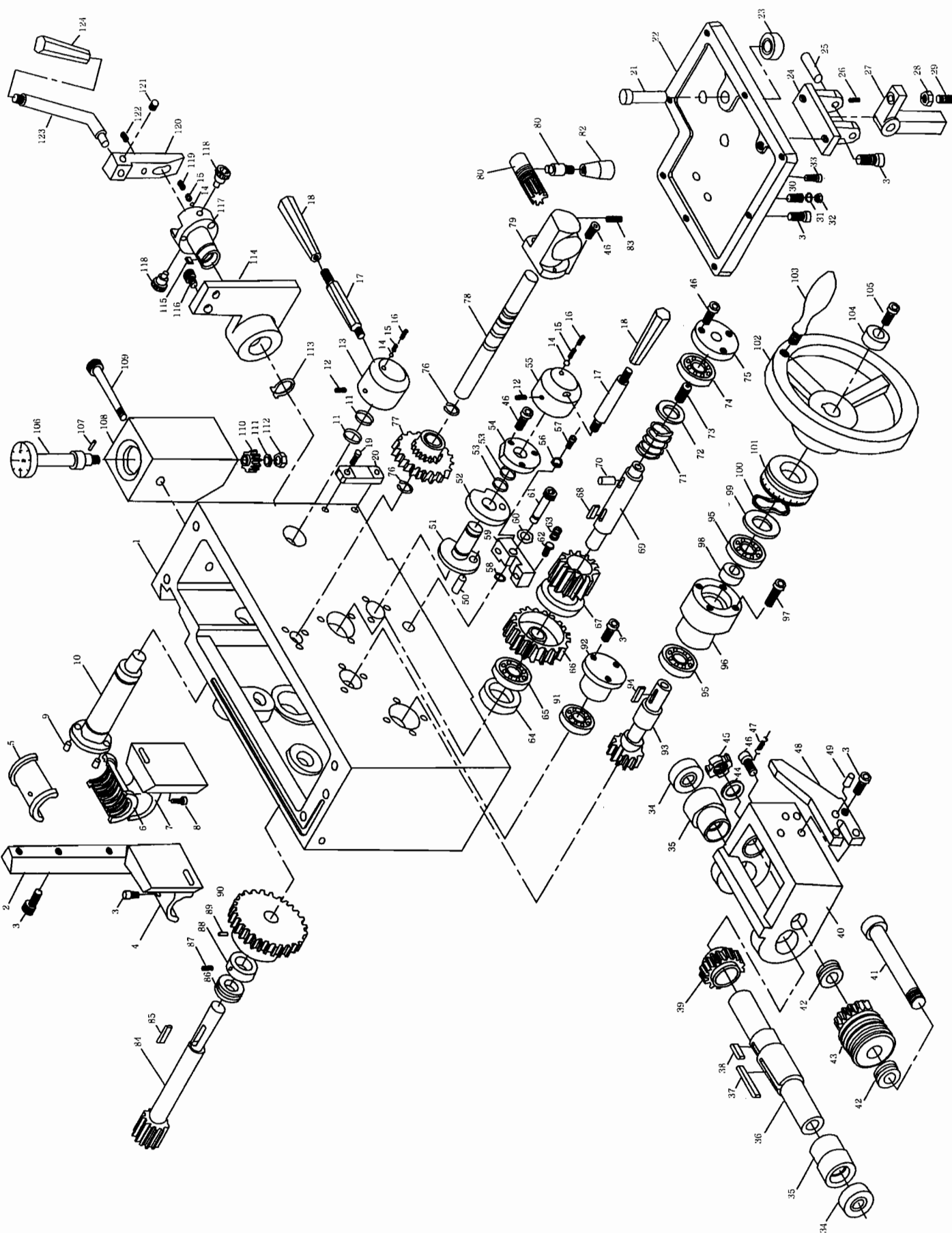
ITEM NO.	Part Name	Amt.	Model: 17" (430)	Model: 19" (480)	Model: 21" (530)
		Used	Part No.	Part No.	Part No.
44	Key square , 6x6x146L	1			
45	Gear-"D" shaft (19T)	1	1210302909	1210302909	1210302909
46	Gear-"D" shaft (18T)	1	1210303004	1210303004	1210303004
47	Gear-"D" shaft (20T)	1	1210303102	1210303102	1210303102
48	Gear-"D" shaft (22T)	1	1210303200	1210303200	1210303200
49	Gear-"D" shaft (23T)	1	1210303308	1210303308	1210303308
50	Gear-"D" shaft (24T)	1	1210303406	1210303406	1210303406
51	Gear-"D" shaft (27T)	1	1210303504	1210303504	1210303504
52	Gear-"D" shaft (24T)	1	1210303602	1210303602	1210303602
53	Gear-"D" shaft (26T)	1	1210303700	1210303700	1210303700
54	Gear-"D" shaft (36T)	1	1210303808	1210303808	1210303808
55	Gear-"D" shaft (27T)	1	1210303906	1210303906	1210303906
56	Gear-"D" shaft (28T)	1	1210304001	1210304001	1210304001
57	Gear-"E" shaft (18T • 36T)	1	1210304109	1210304109	1210304109
58	Shaft-"E"	1	1210304207	1210304207	1210304207
59	Pin-taper	1	1003502904	1003502904	1003502904
60	Bearing-thrust , 51104	2	91303003	91303003	91303003
61	Cap	1	1210304305	1210304305	1210304305
62	Bearing-ball , 6004V	2	91301008	91301008	91301008
63	Shaft-"F"	1	1210304403	1210304403	1210304403
64	Gear-"F" shaft (35T • 35T)	1	1210304501	1210304501	1210304501
65	Gear-"F" shaft (left side)	1	1210304609	1210304609	1210304609
65-1	(right side)	1	1210304707	1210304707	1210304707
66	Square key , 4x4x20L	2			
67	Bearing-ball, 6005	2	91301010	91301010	91301010
68	Shaft-"G"	1	1210304805	1210304805	1210304805
69	Gear-"G" shaft	1	1210304903	1210304903	1210304903
70	Gear-"G" shaft (36T)	1	1210305008	1210305008	1210305008
71	Gear-"H" shaft (38T • 19T)	1	1210305106	1210305106	1210305106
72	Shaft-"H"	1	1210300209	1210300209	1210300209
73	Key-square , 6x6x13L	1			
74	Cap-bearing	1	1210305204	1210305204	1210305204
75	Bushing-"H" shaft	1	1210305302	1210305302	1210305302
76	Bearing-ball , 6004Z	1	91301007	91301007	91301007
77	Spacer	1	1121600905	1121600905	1121600905
78	Gear-drive shaft (57T in)	1	1121600601	1121600601	1121600601
79	Washer	3	1121602105	1121602105	1121602105
80	Hexagon socket screw , M8xP1.25x16L	1			
81	Bolt-lock end cover	1	1122100208	1122100208	1122100208
82	Stud	1	1121601108	1121601108	1121601108
83	Washer , 1/2	1	1121602301	1121602301	1121602301
84	Nut , W1/2	1			
85	Nut-lock stud	1	1121601706	1121601706	1121601706
86	Quadrat	1	1121601000	1121601000	1121601000

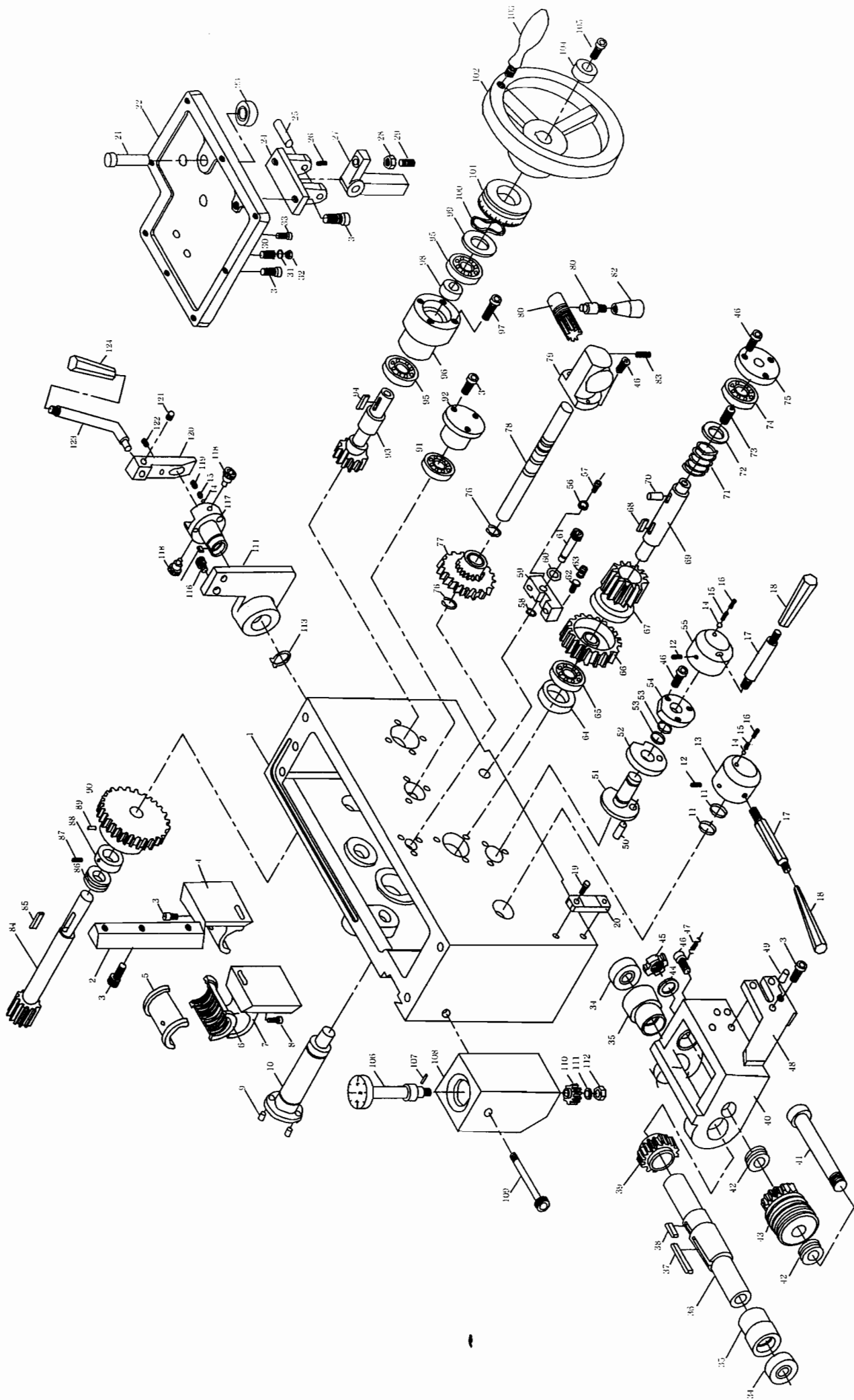
GEAR BOX ASSEMBLY

ITEM NO.	Part Name	Amt. Used	Model: 17" (430)	Model: 19" (480)	Model: 21" (530)
			Part No.	Part No.	Part No.
87	Stud-gear	1	1121601206	1121601206	1121601206
88	Snap ring , R35	1			
89	Geat-quadrat (71T in)	1	1121600209	1121600209	1121600209
90	Snap ring , S16	1			
91	Hexagon socket screw , M6xP1.0x25L	2			
91-1	Cover	1	1222100200	1222100200	1222100200
92	Plug-oil inlet	1	1122101401	1122101401	1122101401
93	Hexagon socket screw , M6xP1.0x65L	2			
94	Seat-pilot light	1	1210701206	1210701206	1210701206
95	Lead-screw (5 feet in)	1	1210700209	1210700209	1210700209
	(5 feet mm)	1	1210700101	1210700101	1210700101
	(6 feet in)	1	1220700202	1220700202	1220700202
	(6 feet mm)	1	1220700104	1220700104	1220700104
	(8 feet in)	1	1230700205	1230700205	1230700205
	(8 feet mm)	1	1230700107	1230700107	1230700107
	(10 feet in)	1	1240700208	1240700208	1240700208
	(10 feet mm)	1	1240700100	1240700100	1240700100
96	Nut-lock	1	1210700709	1210700709	1210700709
97	Bushing-leadscrew	1			
98	Plug-lead screw	1	1210700709	1210700709	1210700709
99	Supporter-for leadscrew, feed rod	1	1210700807	1210700807	1210700807
100	Plug-oil inlet	1	1122101509	1122101509	1122101509
101	Hexagon socket screw , M8xP1.25x30L	1			
102	Nut-lock	1	1210700709	1210700709	1210700709
103	Plug-plastic	1	1122101607	1122101607	1122101607
104	Rod-feed	1	1210700307	1210700307	1210700307
105	Set screw , M6xP1.0x20L	2			
106	Pin-taper , 6x100L	1	1210700601	1210700601	1210700601
107	Hexagon socket screw , M8xP1.25x80L	1			
108	Bushing-spindle starting rod	1	1210700905	1210700905	1210700905
109	Rod-spindle starting switch				
	(5 feet)	1	1210700405	1210700405	1210700405
	(6 feet)	1	1220700408	1220700408	1220700408
	(8 feet)	1	1230700401	1230700401	1230700401
	(10 feet)	1	1240700404	1240700404	1240700404
110	Seat-switch	1	1210701304	1210701304	1210701304
111	Hexagon socket screw , M8xP1.25x25L	2			
112	Snap ring , S30	1			
113	Nut , M6xP1.0	1			
114	Set screw , M6xP1.0x20L	1	1210305400	1210305400	1210305400

GEAR BOX ASSEMBLY

ITEM NO.	Part Name	Amt. Used	Model: 17" (430)	Model: 19" (480)	Model: 21" (530)
			Part No.	Part No.	Part No.
115	Bracket	1	1210701402	1210701402	1210701402
121	Pin , 5x30L	1			
122	Screw socket. headless set , M6xP1.0x8L	1			
123	Switch	2			
126	Knob	3	1120207400	1120207400	1120207400
127	Hexagon socket screw , M10xP1.5x35L	4	1210701500	1210701500	1210701500
128	Pin-taper , #4x38	4	1003502904	1003502904	1003502904
128-1	Pin-taper , 6x45	1			
129	Hexagon socket screw , M8xP1.25x40L	7			
130	Screw-taper, oil outlet PT3/8	1			
131	Screw-set , taper , PT1/8	1			
132	Shifter (middle)	1	1210305606	1210305606	1210305606
	Shifter (left side)	1	1210306005	1210305606	1210305606
133	Shoe-shifter (middle and right side)	2	121030571	121030571	121030571
	Shoe-shifter (left side)	1	1210305802	1210305802	1210305802
134	Shifter (right side)	1	1210306005	1210306005	1210306005
135	Snap ring , S10	3			
136	Pin-spring , 5x25	3			
137	Shaft-shifter	3	1210306103	1210306103	1210306103
138	Ring-"O" , P12	3			
139	Detent Plate	1	121030621	121030621	121030621
139-1	Detent Plate	1	1210306309	1210306309	1210306309
139-2	Detent Plate	1	121030641	121030641	121030641
140	Ball steel , 1/4	3			
141	Spring , 5x26	3			
142	Hub	3	1210306505	1210306505	1210306505
143	Lever	3	1210306701	1210306701	1210306701
144	Snap ring , S15	1			
145	Gear-drive bevel	1	1210306809	1210306809	1210306809
146	Key-square , 5x5x15L	1			
147	Shaft-bevel gear	1	1210306907	1210306907	1210306907
148	Seat-gear shifting	1	1210307002	1210307002	1210307002
149	Ball-steel , 5/16	1			
150	Spring , 8x20	1			
151	Seal-oil , 20x35x10	1			
152	Hub	1	1210307100	1210307100	1210307100
153	Handle	1	1120207204	1120207204	1120207204
154	Pin , 5x50	1			
155	Snap ring , S18	2			





APRON ASSEMBLY

ITEM NO.	Part Name	Amt. Used	Model: 17" (430)	Model: 19" (480)	Model: 21" (530)	名稱
			Part No.	Part No.	Part No.	
1	Body-Apron (right hand)	1	3003001-002	3003001-002	3003001-002	護床本體
	(left hand)	1	3003001-001	3003001-001	3003001-001	
2	Gib	1	3003002	3003002	3003002	嵌條
3	Hexagon socket screw , M6xP1.0x16L	18	91110616	91110616	91110616	六角承窩螺絲
4	Holder-half nut (right hand)	1	3003004	3003004	3003004	半開螺帽座
	(left hand)	1	3003004-001	3003004-001	3003004-001	
5	Nut-half (in)	1	3003005	3003005	3003005	半開螺帽
	(mm)	1	3003005-001	3003005-001	3003005-001	
6	Nut-half (in)	1	3003006	3003006	3003006	半開螺帽
	(mm)	1	3003006-001	3003006-001	3003006-001	
7	Holder-half nut (right hand)	1	3003007	3003007	3003007	半開螺帽座
	(left hand)	1	3003007-001	3003007-001	3003007-001	
9	Pin-sliding	2	3003009	3003009	3003009	滑塊銷
10	Shaft-haft nut (right hand)	1	3003010	3003010	3003010	半開螺帽心軸
	(left hand)	1	3003010-001	3003010-001	3003010-001	
11	Ring-O , P26	2	9151P026	9151P026	9151P026	O型環
12	Set screw , M8xP1.25x20L	2	3003012	3003012	3003012	固定螺絲
13	Hub (right hand)	1	3003013	3003013	3003013	撥桿軸套
	(left hand)	1	3003013-001	3003013-001	3003013-001	
14	Ball-steel , 1/4"	3	91820104	91820104	91820104	鋼珠
15	Spring , ϕ 1x6x30L	3				彈簧
16	Set screw , M8xP1.25x10L	2	91120810	91120810	91120810	固定螺絲
17	Lever	2	3003017	3003017	3003017	手柄
18	Knob	2	3003018	3003018	3003018	黑色電木把手
19	Screw , 4x10	4				五彩十字螺絲
20	Lenx-oil, CTA-8	1	3003020	3003020	3003020	油鏡
21	Shaft-auto stop	1	3003021	3003021	3003021	挺桿
22	Cover-bottom apron	1	3003022	3003022	3003022	護床底蓋
23	Seal-oil , 15x25x7	1				油封
24	Seat-tappet	1	3003024	3003024	3003024	自動停止挺桿座
25	Shaft-tappet	1	3003025	3003025	3003025	止動心軸
26	Set screw , M6xP1.0x16L	2	91120616	91120616	91120616	固定螺絲
27	Tappet	1	3003027	3003027	3003027	自動停止挺桿
28	Nut , M8xP1.25	1				螺帽
29	Set screw , M8xP1.25x30L	1	91120830	91120830	91120830	固定螺絲
30	Set screw , M6xP1.0x40L	1	91120640	91120640	91120640	固定螺絲
31	Set screw , M6x40	1				車削止付
32	Nut , M6xP1.0	2				螺帽
33	Screw-oil leakage , PT1/4	1	92590601	92590601	92590601	油塞
34	Seal-oil , 32x42x10	1				油封
35	Bushing	2	3003035	3003035	3003035	軸襯
36	Sleeve-feed rod	1	3003036	3003036	3003036	自動進刀軸套
37	Key-sqaure , 6x6x42L	1	91610607	91610607	91610607	雙圓平行鍵

APRON ASSEMBLY

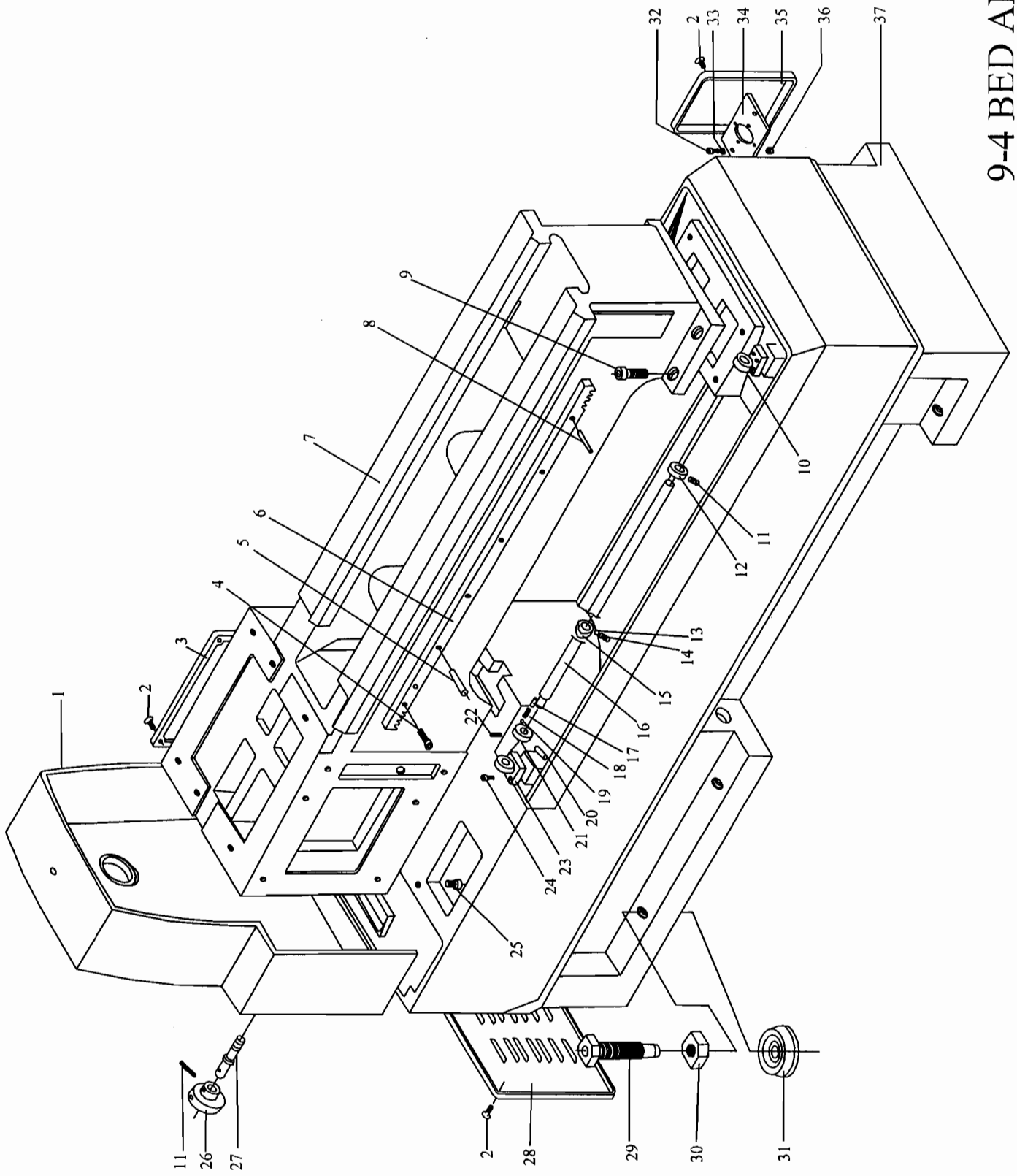
ITEM NO.	Part Name	Amt. Used	Model: 17" (430)	Model: 19" (480)	Model: 21" (530)	名稱
			Part No.	Part No.	Part No.	
38	Key-sqaure , 6x6x12L	1	91610601	91610601	91610601	雙圓平行鍵
39	Gear	1	3003039	3003039	3003039	齒輪
40	Seat-worm	1	3003040	3003040	3003040	蝸桿座
41	Shaft-worm	1	3003041	3003041	3003041	蝸桿心軸
42	Bearing-thrust , 2904	2	91311005	91311005	91311005	止推軸承
43	Worm gear	1	3003043	3003043	3003043	蝸桿
44	Washer-lock , 20	1				太陽墊圈
45	Nut	1				蝸桿心軸螺帽
46	Hexagon socket screw , M6xP1.0x30L	1	91110630	91110630	91110630	六角承窩螺絲
47	Spring , ϕ 1x10x60L (right)	1	3003047	3003047	3003047	彈簧
	(left)	1	3003047-001	3003047-001	3003047-001	
48	Block-safe device (right)	1	3003048	3003048	3003048	安全塊
	(left)	1	3003048-001	3003048-001	3003048-001	
49	Pin , 5x18L	2				彈簧銷
50	Pin	1				銷
51	Shaft-auto feed (right)	1	3003051	3003051	3003051	撥動軸
	(left)	1	3003051-001	3003051-001	3003051-001	
52	Collar (right)	1	3003052	3003052	3003052	撥動軸
53	Ring-O , P16	2	9151P016	9151P016	9151P016	O型環
54	Cover	1	3003054	3003054	3003054	軸蓋
55	Hub (right)	1	3003055	3003055	3003055	撥桿軸套
	(left)	1	3003055-001	3003055-001	3003055-001	
56	Spring washer , M8	1				彈簧華司
57	Hexagon socket screw , M8xP1.25x12L	1	91110812	91110812	91110812	六角承窩螺絲
58	Snap ring , S10	1	9171S010	9171S010	9171S010	扣環
59	Lever	1	3003059	3003059	3003059	自動停止槓桿
60	Spring washer , M12	1				彈簧墊圈
61	Screw, M12x30	1				螺絲
62	Hexagon socket screw , M5xP0.8x20L	1	91110520	91110520	91110520	六角承窩螺絲
63	Spring	1	3003063	3003063	3003063	彈簧
64	Spacer	1	3003064	3003064	3003064	密封塊
65	Bearing-ball , 6005V	1	91301012	91301012	91301012	滾珠軸承
66	Worm-wheel	1	3003066	3003066	3003066	蝸輪
67	Wheel friction	1	3003067	3003067	3003067	離合齒輪
68	Key-square , 7x7x12L	1	91610701	91610701	91610701	雙圓平行鍵
69	Shaft-worm wheel	1	3003069	3003069	3003069	離合器心軸
70	Pin	1	3003070	3003070	3003070	墊圈擋塊
71	Spring-compressing	1	3003071	3003071	3003071	彈簧
72	Washer	1	3003072	3003072	3003072	墊片
73	Set screw	1				固定螺絲
74	Bearting-ball , 6204	1	91301018	91301018	91301018	滾珠軸承

APRON ASSEMBLY

ITEM NO.	Part Name	Amt. Used	Model: 17" (430)	Model: 19" (480)	Model: 21" (530)	名稱
			Part No.	Part No.	Part No.	
75	Cover	1	3003075	3003075	3003075	離合器
76	Snap ring , S20	2	9171S020	9171S020	9171S020	扣環
77	Gear	1	3003077	3003077	3003077	齒輪
78	Shaft-cross feed	1	3003078	3003078	3003078	縱橫變換軸
79	Set (right hand)	1	3003079	3003079	3003079	變換軸套
	(left hand)	1	3003079-001	3003079-001	3003079-001	
80	Shaft-lever	1	3003080	3003080	3003080	縱橫變換齒輪
81	Lever	1	3003081	3003081	3003081	手柄
82	Knob	1	3003082	3003082	3003082	電木把手
83	Set screw , M4xP0.7x10L	1	91120410	91120410	91120410	固定螺絲
84	Pinion rack	1	3003084	3003084	3003084	中間軸
85	Key-square , 6x6x20L	1	91610605	91610605	91610605	雙圓平行鍵
86	Bearing niddle , NK20/22	1	91311001	91311001	91311001	滾針軸承
87	Set screw , M8x10	1	91120810	91120810	91120810	固定螺絲
88	Collar	1	3003088	3003088	3003088	固定圈
89	Pin-spring , 6x36L	1	92030636	92030636	92030636	彈簧銷
90	Gear	1	3003090	3003090	3003090	中間軸齒輪
91	Bearing-ball , 6003	1	91301005	91301005	91301005	滾珠軸承
92	Cover	1	3003092	3003092	3003092	軸套
93	Pinion-handwheel		3003093	3003093	3003093	手輪心軸
94	Key-square , 6x6x25L	1	91610606	91610606	91610606	雙圓平行鍵
95	Bearing-ball , 6004V	1	91301008	91301008	91301008	滾珠軸承
95-1	Bearing-ball , 6005Z	1	91301007	91301007	91301007	滾珠軸承
96	Seat		3003096	3003096	3003096	軸承套
97	Hexagon socket screw , M6xP1.0x30L	4	91110630	91110630	91110630	六角承窩螺絲
99	Washer		3003099	3003099	3003099	墊塊
100	Washer-wave type	1				浪型墊圈
101	Dial-rack	1	3003101	3003101	3003101	刻度環
102	Handwheel	1	3003102	3003102	3003102	手輪
103	Handle	1	3003103	3003103	3003103	手柄
104	Washer-lock	1	3003104	3003104	3003104	鎖緊墊片
105	Hexagon socket screw , M8xP1.25x20L	1	91110820	91110820	91110820	六角承窩螺絲
106	Dial-thread chasing					指示表現
	(in 4 parts)	1	3003106	3003106	3003106	
	(mm 5 parts)	1	3003106-001	3003106-001	3003106-001	
	(mm 7 parts)	1	3003106-002	3003106-002	3003106-002	
107	Pin	1				
108	Seat-dial shaft	1	3003108	3003108	3003108	車牙表現座
109	Hexagon socket screw , M10xP1.5x65L	1	91111065	91111065	91111065	六角承窩螺絲
110	Gear (in 16T)	1	3003110	3003110	3003110	齒輪
	(mm 11T)	1	3003110-001	3003110-001	3003110-001	

APRON ASSEMBLY

ITEM NO.	Part Name	Amt. Used	Model: 17" (430) Part No.	Model: 19" (480) Part No.	Model: 21" (530) Part No.	名稱
	(mm 13T)	1	3003110-002	3003110-002	3003110-002	
	(mm 14T)	1	3003110-003	3003110-003	3003110-003	
	(mm 15T)	1	3003110-004	3003110-004	3003110-004	
	(mm 18T)	1	3003110-005	3003110-005	3003110-005	
111	Washer-spring , 10	1				彈簧墊圈
112	Nut , M10xP1.5	1				螺帽
113	Snap ring , S30	1	9171S030	9171S030	9171S030	扣環
114	Seat-switch	1	3003114	3003114	3003114	開關座
115	Key-square , 6x8x25L	1	91610610	91610610	91610610	雙圓平行鍵
116	Hexagon socket screw , M8xP1.25x16L	2	91110816	91110816	91110816	六角承窩螺絲
117	Bracket	1	3003117	3003117	3003117	啟動槓桿座
118	Screw-lock	2	3003118	3003118	3003118	特殊固定螺栓
119	Screw-hexa. socket headless cap	1	3003119	3003119	3003119	停止定位銷
120	Seat-lever	1	3003120	3003120	3003120	啟動桿
121	Set screw , M8xP1.25x8L	2	91120808	91120808	91120808	固定螺絲
122	Spring	1				彈簧
123	Lever	1	3003123	3003123	3003123	把手
124	Knob	1	3003124	3003124	3003124	電木把手(白)



9-4 BED AND BASE

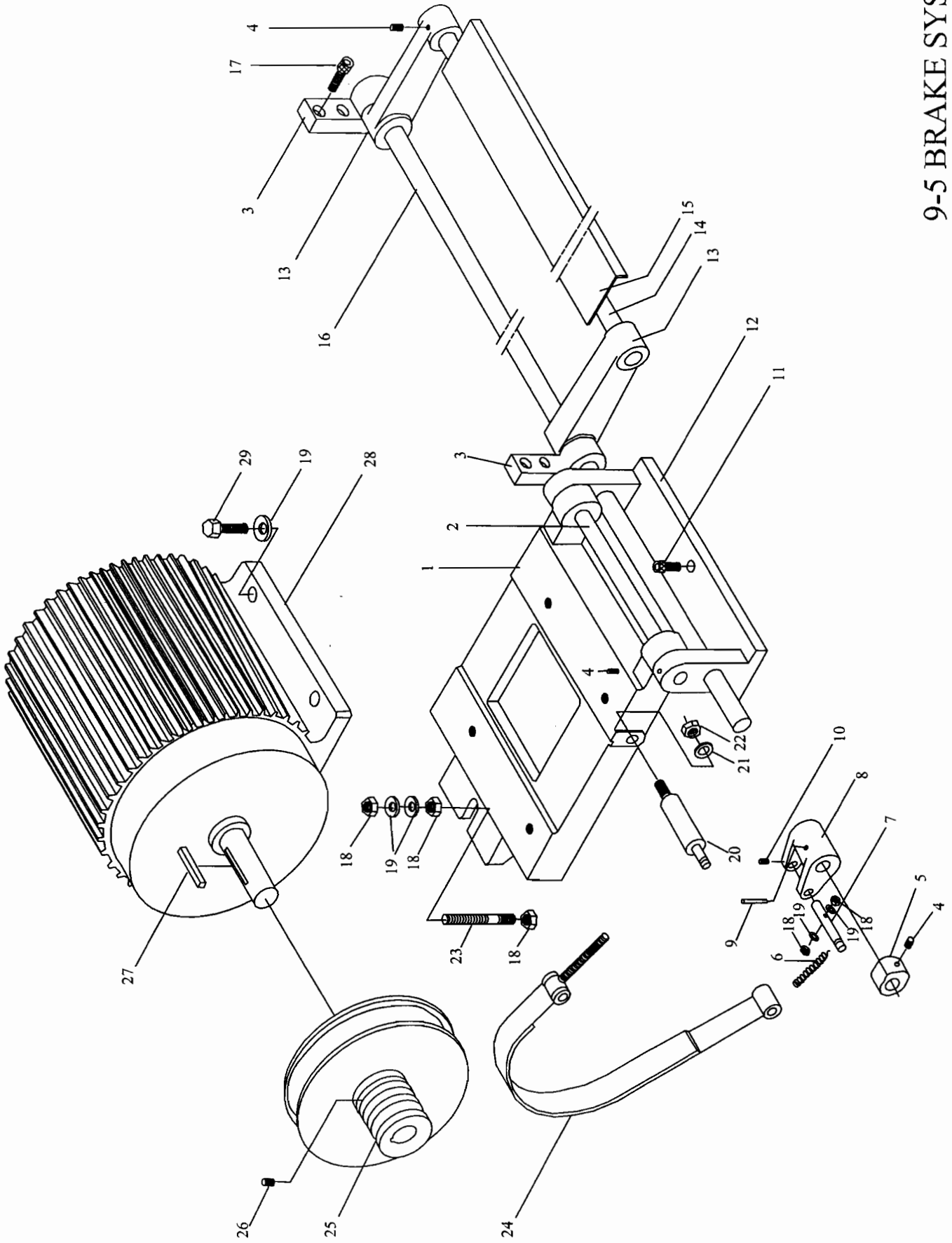
BED AND BASE ASSEMBLY

ITEM NO.	Part Name	Amt. Used	Model: 17" (430) Part No.	Model: 19" (480) Part No.	Model: 21" (530) Part No.	名稱
1	Cover-end	1	1221600201	1221600103	1221600103	主軸側蓋
2	Screw-cross-recessed head , M6xP1.0x20L	12				十字埋頭螺絲
3	Cover-electric box	1	1122102006	1122102006	1122102006	配電箱板蓋
4	Hexagon socket screw , M6xP1.0x25L	10				六角承窩螺絲
5	Pin-taper , 6x36	2				彈簧銷
6	Rack (5 feet)	1	1210701000	1210701000	1210701000	齒條
	(6 feet , right)	1	1220700604	1220700604	1220700604	
	(6 feet , left)	1	1220700506	1220700506	1220700506	
	(8 feet)	1	1230700509	1230700509	1230700509	
	(10 feet)	1	1240700502	1240700502	1240700502	
7	Bed (5 feet)	1	1210100101	1210100101	1210100101	床身
	(6 feet)	1	1220100104	1220100104	1220100104	
	(8 feet)	1	1230100107	1230100107	1230100107	
	(10 feet)	1	1240100100	1240100100	1240100100	
8	Pin-taper , 6x36	2				彈簧銷
9	Hexagon socket screw , M16xP2.0x45L	4				六角承窩螺絲
10	Supporter-shaft	1	1122102104	1122102104	1122102104	右軸台
11	Set screw, M6xP1.0x10L	2				固定螺絲
12	Collar	1	1122102202	1122102202	1122102202	停止軸套環
13	Shoe-brass	4	1122102300	1122102300	1122102300	停止凸輪墊塊
14	Set screw, M6xP1.0x6L	1				固定螺絲
15	Cam-auto feed stopping	4	1122102408	1122102408	1122102408	自動進刀停止凸輪
16	Shaft-auto stopping (5 feet)	1	1212100109	1212100109	1212100109	停止軸
	(6 feet)	1	1222100308	1222100308	1222100308	
	(8 feet)	1	1232100105	1232100105	1232100105	
	(10 feet)	1	1242100108	1242100108	1242100108	
17	Set screw , M8xP1.25x8L	1				固定螺絲
18	Spring , 1x6x8L	1				彈簧
19	Ball-steel , 1/4"	1				鋼珠
20	Lever-turning shaft	4	1122102506	1122102506	1122102506	停止轉輪把手
21	Collar	1	1122103905	1122103905	1122103905	自動停止轉輪
22	Set screw, M8xP1.25x10L	1	91120810	91120810	91120810	固定螺絲
23	Supporter-shaft	1	1122102604	1122102604	1122102604	左軸台
24	Hexagon socket screw , M8xP1.25x16L	4				六角承窩螺絲
25	Hexagon socket screw , M16xP2.0x55L	8				六角承窩螺絲
26	Plug	1	1122102702	1122102702	1122102702	側蓋鎖緊螺栓塞
27	Bolt-lock	1	1122100208	1122100208	1122100208	側蓋鎖緊螺絲
28	Cover-motor seat	2	1122100806	1122100806	1122100806	床頭馬達孔蓋板
29	Bolt-set machine	6	112210281	112210281	112210281	固定螺栓

BED AND BASE ASSEMBLY

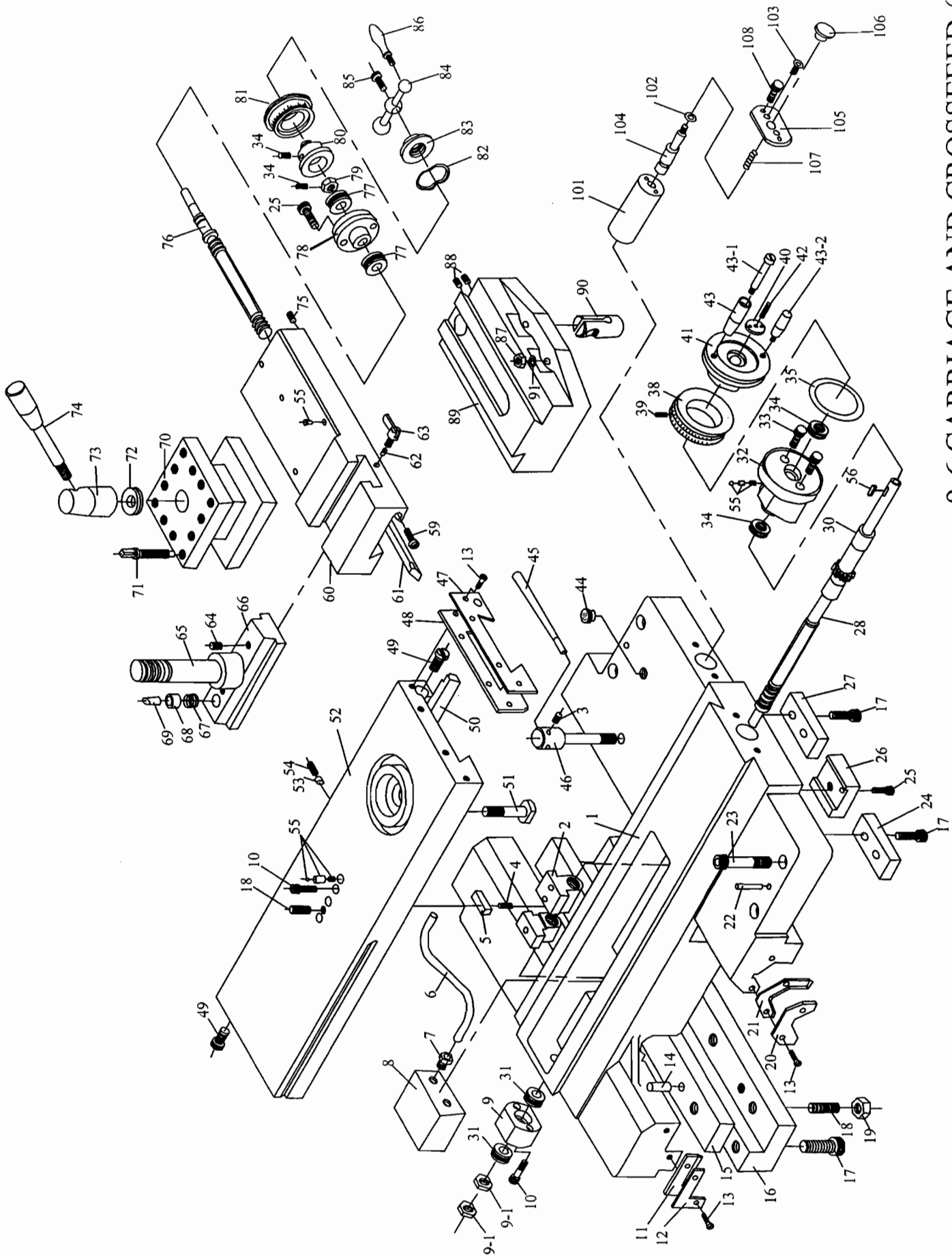
ITEM NO.	Part Name	Amt. Used	Model: 17" (430) Part No.	Model: 19" (480) Part No.	Model: 21" (530) Part No.	名稱
30	Nut-lock	6	1122102800	1122102800	1122102800	固定螺栓螺帽
31	Block-leveling	6	1003501809	1003501809	1003501809	墊塊
32	Bolt-hexa. head W1/4"x25	2				六角頭螺絲
33	Washer , W5/8"	2				墊圈
34	Seat-coolant pump	1	121010051	121010051	121010051	冷卻泵浦座
35	Cover-coolant motor seat	1	1005000403	1005000403	1005000403	泵浦孔蓋板
36	Nut-lock , W1/4"	2				螺帽
37	Base (5 feet)	1	1210100209	1210100209	1210100209	底座
	(6 feet)	1	1220100202	1220100202	1220100202	
	(8 feet)	1	1230100205	1230100205	1230100205	
	(10 feet)	1	1246100208	1246100208	1246100208	

9-5 BRAKE SYSTEM



BRAKE SYSTEM

ITEM NO.	Part Name	Amt. Used	Model: 17" (430) Part No.	Model: 19" (480) Part No.	Model: 21" (530) Part No.	名稱
1	Seat-motor	1	1210400106	1210400106	1210400106	馬達底板
2	Shaft-motor seat	1	1210400204	1210400204	1210400204	基座樞軸
3	Block	2	1210100601	1210100601	1210100601	軸台
4	Set screw , M6xP1.0x15L	4				固定螺絲
5	Cam	1	1210400606	1210400606	1210400606	凸輪
6	Spring	1	1210400302	1210400302	1210400302	彈簧
7	Shaft-brake	1	1210400704	1210400704	1210400704	煞車帶插銷
8	Arm-brake	1	1210400802	1210400802	1210400802	制動搖臂
9	Pin-taper , 4"x38L	1				推拔銷
10	Set screw, M6xP1.0x10L	1				固定螺絲
11	Hexagon socket screw , M10xP1.5x20L	3				六角承窩螺絲
12	Bracket-motor seat	1	1210100709	1210100709	1210100709	馬達基座托架
13	Bracket-pedal	2	1210400900	1210400900	1210400900	踏板支架
15	Pedal-brake (5 feet)	1	1210400508	1210400508	1210400508	踏板
	(6 feet)	1	1220400109	1220400109	1220400109	
	(8 feet)	1	1230400102	1230400102	1230400102	
	(10 feet)	1	1240400105	1240400105	1240400105	
16	Shaft-pedal bracket (5 feet)	1	1210100105	1210100105	1210100105	制動踏板軸
	(6 feet)	1	1220100300	1220100300	1220100300	
	(8 feet)	1	1230100401	1230100401	1230100401	
	(10 feet)	1	1240100404	1240100404	1240100404	
17	Hexagon socket screw , M10xP1.5x20L	4				六角承窩螺絲
18	Nut , M16	5				螺帽
19	Washer , M16	8				平墊圈
20	Bolt-adjusting	1	1210401005	1210401005	1210401005	調整螺栓固定銷
21	Washer , M12	1				平墊圈
22	Nut , M12	1				螺帽
23	Bolt-adjusting	1	1210400400	1210400400	1210400400	調整螺栓
24	Belt-brake (5HP , 15HP)	1	1003519605	1003519605	1003519605	煞車帶
	(7.5HP , 10HP)	1	1003519703	1003519703	1003519703	
25	Belt pulley (5HP/60HZ)	1	3005025	3005025	3005025	馬達皮帶輪
	(7.5HP、10HP/60HZ)	1	3005025-004	3005025-004	3005025-004	
26	Set screw , M8xP1.25x8L	1				固定螺絲
27	Key , 8x7.5x40 (5HP)	1				雙圓平行鍵
	10x8x65 (7.5HP)	1				
	(10HP)	1				
	12x8x80 (15HP)	1				
28	Motor (5HP/220/440/60)	1	81000103	81000103	81000103	馬達
	(7.5HP/220/440/60)	1	81000205	81000205	81000205	
29	Bolt-hexa. head , M10x30L	4				六角頭螺絲



9-6 CARRIAGE AND CROSSFEED (export)

CARRIAGE AND CROSSFEED ASSEMBLY

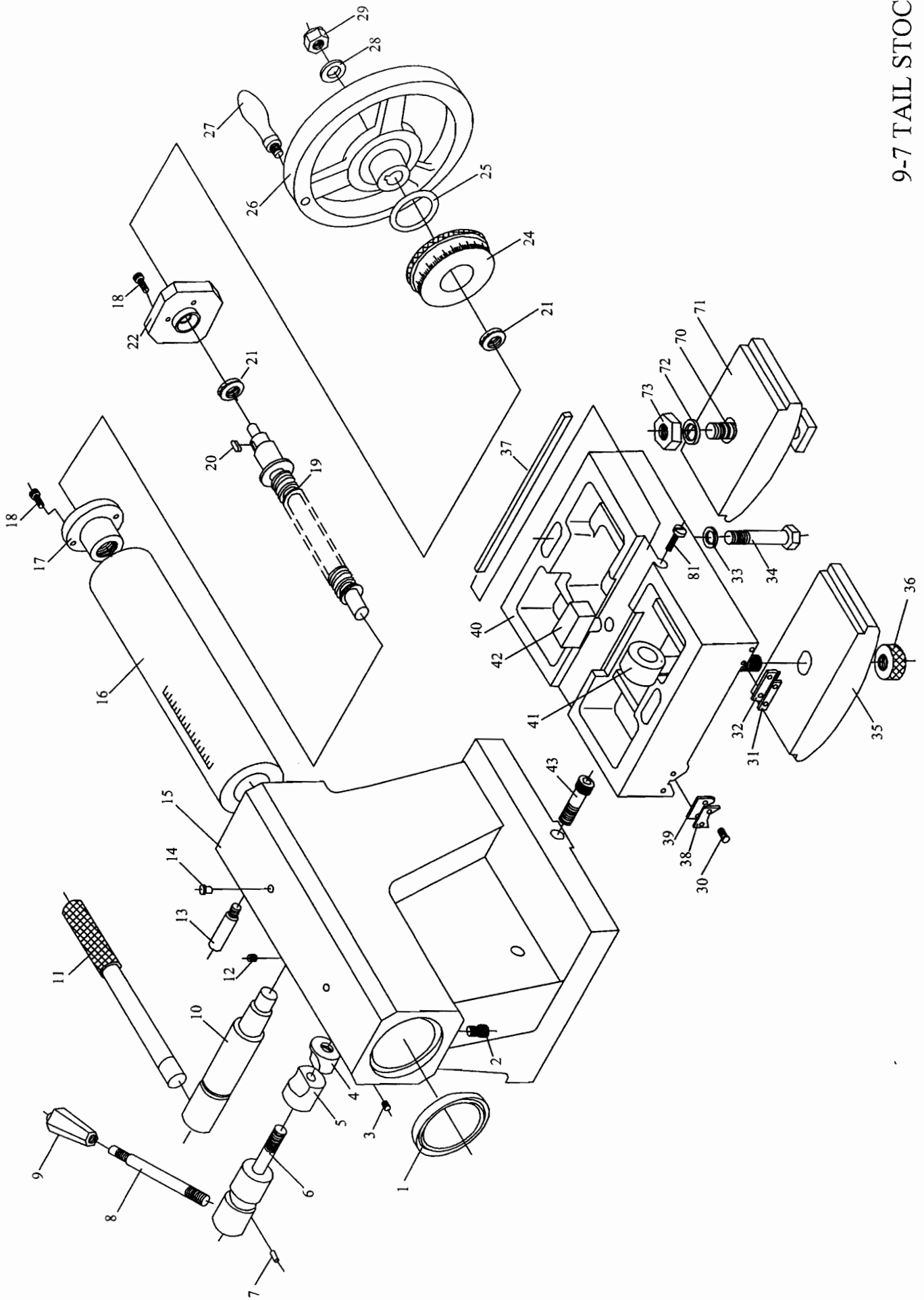
ITEM NO.	Part Name	Amt. Used	Model: 17" (430) Part No.	Model: 19" (480) Part No.	Model: 21" (530) Part No.	名稱
1	Carriage	1	1220800109	1220800109	1220800109	滑座本體
2	Nut-crossfeed	1				螺帽
3	Nut-crossfeed	1				螺帽
4	Spring , 0.3x5x15L	1				彈簧
5	Shim-crossfeed nut	1	1120800901	1120800901	1120800901	契
6	Pipe-lubrication oil	1				銅油管
7	Nut-copper	1				銅螺帽
8	Conveyor-oil	1	1120801006	1120801006	1120801006	分油器
9	Cap-crossfeed screw	1	1120801104	1120801104	1120801104	拖架
9-1	Nut-hexa. Head , M12xP1.25	1				六角螺帽
10	Hexagon socket screw , M8xP1.25x35L	2				六角承窩螺絲
11	Wiper-rear	1	1122100100	1122100100	1122100100	右後防塵油封
12	Case-wiper , rear	1	1122100306	1122100306	1122100306	後防塵油封固定片
13	Screw-cross-recessed , M4xP0.7x10L	8				十字圓頭螺絲
14	Pin	2				直銷
15	Gib	1	1220800207	1220800207	1220800207	炭條
16	Holder-gib	1	1220800403	1220800403	1220800403	後扁栓
17	Hexagon socket screw , M8xP1.25x20L	2				六角承窩螺絲
18	Set screw , M8xP1.25x20L	5				固定螺絲
19	Nut , M8xP1.25	4				螺帽
20	Case-wiper , front	1	1122100404	1122100404	1122100404	前防塵油封固定片
21	Wiper-front	1	1122100100	1122100100	1122100100	防塵油封
22	Pin-taper , 6 # 75L	2	1210700503	1210700503	1210700503	推拔銷
23	Hexagon socket screw , M10xP1.5x70L	4				六角承窩螺絲
24	Gib-left-front	1	1120801202	1120801202	1120801202	左前扁栓
25	Set screw , M6xP1.0x20L	3				固定螺絲
26	Clamp-carriage	1	1120801300	1120801300	1120801300	滑座夾緊塊
27	Gib-right-front	1	1120801408	1120801408	1120801408	右前扁栓
28	Screw-crossfeed (8TPI , in)	1	1000800403	1000800403	1000800403	導螺桿
	(5MM , mm)	1	1000800109	1000800109	1000800109	
29	Pin-spring , 5x30L	1				彈簧銷
30	Pinion-crossfeed (local)	1	1220800501	1220800501	1220800501	齒輪軸
	(export)	1	1220800609	1220800609	1220800609	
31	Bearing thrust , 51101	1	91303001	91303001	91303001	止推軸承
32	Bracket	1	1120800107	1120800107	1120800107	托架
33	Bolt-hexa. Socket, M8xP1.25x40L	2				六角承窩螺絲
34	Bearing-thrust , 51103	2	91303002	91303002	91303002	止推軸承
35	Washer-wave type , 6210	2				浪型墊圈
36	Set screw , M6xP1.0x10L	1				固定螺絲

CARRIAGE AND CROSSFEED ASSEMBLY

ITEM NO.	Part Name	Amt. Used	Model: 17" (430)	Model: 19" (480)	Model: 21" (530)	名稱
			Part No.	Part No.	Part No.	
37	Clutch-dial	1	1120802807	1120802807	1120802807	測微規基座
38	Dial-crossfeed (8TPI/export)	1	1000808203	1000808203	1000808203	刻度環
	(5MM/export)	1	1000802603	1000802603	1000802603	
39	Hexagon socket screw , M6xP1.0x15L	1				六角承窩螺絲
40	Set screw	1	1120803000	1120803000	1120803000	測微規基座
41	Handle-wheel (local)	1	1120802601	1120802601	1120802601	手柄
	(export)	1	1120802709	1120802709	1120802709	手輪
42	Screw-adjusting , M6xP1.0x30L	1				止付螺絲
43	Knob-handle (local)	1	1120803206	1120803206	1120803206	握把
	(export)	1	1120803304	1120803304	1120803304	
43-1	Screw-handle (export)	1				螺絲
43-2	Knob-handle	1	1120803402	1120803402	1120803402	握把
44	Plug-oil inlet	1	1121103405	1121103405	1121103405	油塞
45	Lever	1	1120801506	1120801506	1120801506	固定把手
46	Screw-carriage clamp	1	1120800607	1120800607	1120800607	固定螺栓
47	Case-wiper	1				
48	Wiper	1	1222100102	1222100102	1222100102	橫滑座防塵油封
49	Screw-adjusting	1				調整螺栓
50	Gib	1	1220800305	1220800305	1220800305	嵌條
51	Bolt	1	1120800509	1120800509	1120800509	特殊螺帽
52	Cover-cross sliding	1	1430800802	1430800802	1430800802	橫滑座
53	Shoe-clamp	1	1220800707	1220800707	1220800707	鎖緊銷
54	Set screw , M6xP1.0x20L	1				固定螺絲
55	Spring	1				彈簧
56	Button	1				固定銷
57	Ball-steel , 1/4"	1				銅入珠
58	Hexagon socket screw , M6xP1.0x3	3				六角承窩螺絲
59	Screw-gib	2				調整螺栓
60	Compound rest	1				複式刀座
61	Gib-compound rest	1	1000804509	1000804509	1000804509	船座嵌條
62	Shoe-clamp	1	1220800707	1220800707	1220800707	鎖緊銷
63	Screw-clamp	1				鎖緊螺絲
64	Screw-hexa. socket headless cap , M8xP1.25x10L	4				
65	Shaft-tool post	1				刀架心軸
65-1	Shaft-tool post	1				刀架心軸
66	Block-tee	1				T型塊
67	Spring , 1x8x20L	1				彈簧
68	Sleeve	1				
69	Button	1				固定銷
70	Tool post square (export)	1	1003512802	1003512606		四方刀架
	(local)	1	1003512704	1003512508		

CARRIAGE AND CROSSFEED ASSEMBLY

ITEM NO.	Part Name	Amt. Used	Model: 17" (430) Part No.	Model: 19" (480) Part No.	Model: 21" (530) Part No.	名稱
71	Screw-square head	1	1000804107	1000804107	1000804107	刀架螺絲
72	Bearing-thrust , 51104	1	91303003	91303003	91303003	止推軸承
73	Knob-lever	1	1000810605	1000810605	1000810605	鎖緊輪
74	Lever	1	1000810605	1000810605	1000810605	煙斗
75	Screw-gib , M8xP1.25x31L	1				
76	Screw-compound rest	1	1000803904	1000803904	1000803904	船座導螺桿
77	Bearing-thrust , 51102	2				止推軸承
78	Seat-compound rest screw	1				
79	Nut	1				螺帽
80	Collar	1				
81	Dial-compound rest	1	1000820003	1000820003	1000820003	船座刻度環
82	Washer-wave type	1				浪型墊圈
83	Nut	1				
84	Handle	1				手柄
85	Hexagon socket screw , M6xP1.0x16L	1				六角承窩螺絲
86	Knob-handle	1				手柄
87	Nut , M10xP1.5	4				螺帽
88	Set screw , M8xP1.25x8L	2				固定螺絲
89	Swivel	1				
90	Nut-compound rest screw	1				船座導螺桿螺帽
91	Spring washer , M10	4				
101	Body-pump	1	1120801800	1120801800	1120801800	泵浦本體
102	Ring-O , P10	1				O型環
103	Screw , M5xP0.8x12L	2				
104	Rod-pump	1	1120801908	1120801908	1120801908	活塞桿
105	Stopper	1	1120802003	1120802003	1120802003	固定板
106	Plug	1	1120802101	1120802101	1120802101	把手
107	Spring-compressing , φ1.2x10x63L	1				彈簧
108	Screw-hexa. Socket head cap , M6xP1.0x16L	2				十字圓頭螺絲



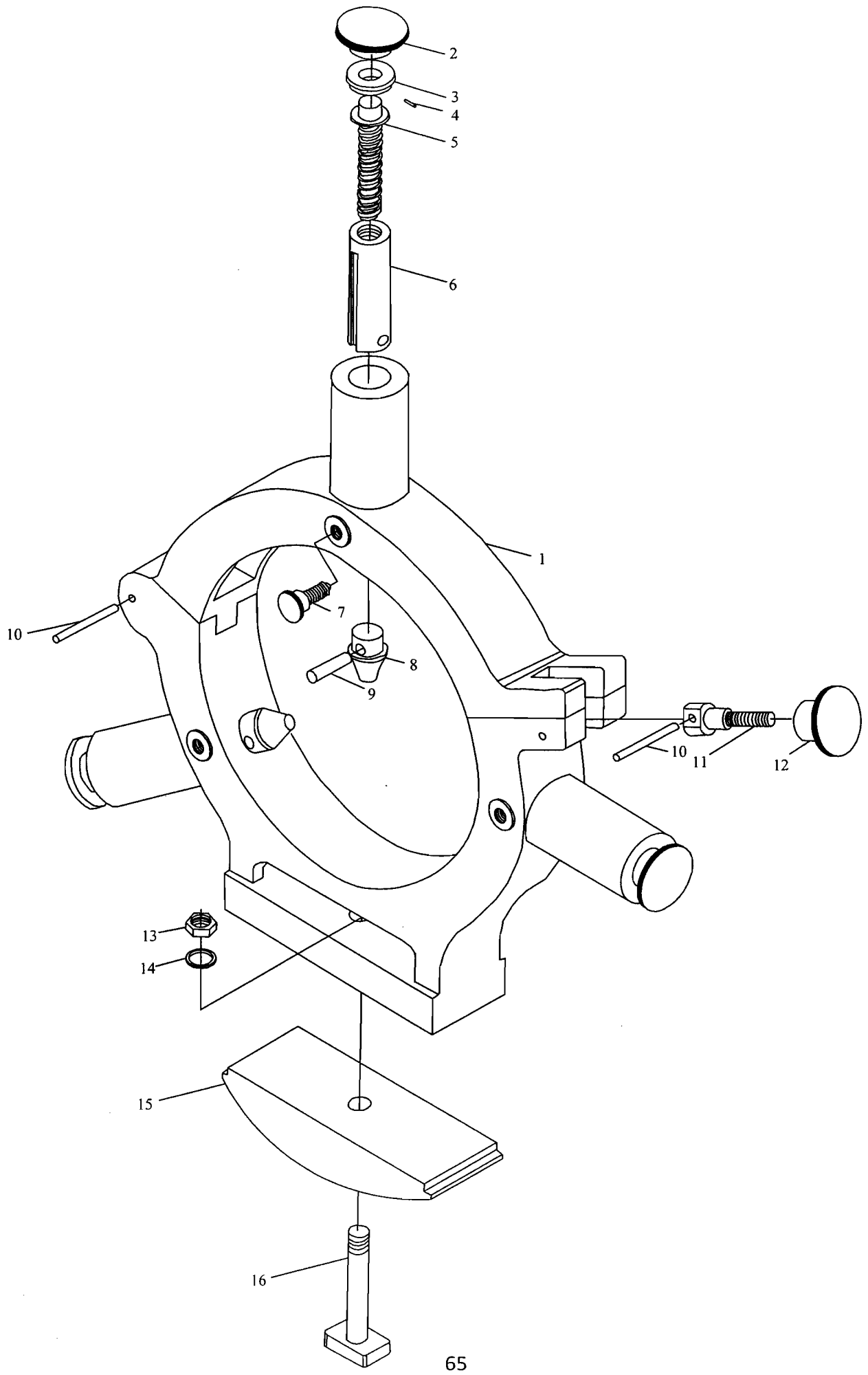
TAILSTOCK ASSEMBLY

ITEM NO.	Part Name	Amt. Used	Model: 17" (430) Part No.	Model: 19" (480) Part No.	Model: 21" (530) Part No.	名稱
1	Seal-oil , TC68x90x12	1				油封
2	Hexagon socket screw, M8xP1.25x10L	1				六角承窩螺絲
3	Set screw , M6xP1.0x10L	1				固定螺絲
4	Block-clamp	1	1121101005	1221100706	1221100706	鎖緊軸套
5	Block-clamp	1	1121101005	1221100706	1221100706	鎖緊軸套
6	Shaft-clamp spindle	1	1121101103	1221100804	1221100804	鎖緊螺栓
7	Pin , 5x12	1				彈簧銷
8	Lever	1	1121102100	1121102100	1121102100	手柄
9	Sleeve-lever	1	1120207400	1120207400	1120207400	電木把手
10	Shaft-clamp bottom	1	1121101201	1221100902	1221100902	偏心軸柄
11	Lever	1	1121101201	1221100902	1221100902	偏心軸柄
12	Set screw , M6xP1.0x20L	1				固定螺絲
13	Screw-brake	1	1121102306	1121102306	1121102306	制動銷
14	Plug-oil	3				油杯
15	Body-tailstock	1	1121100106	1221100108	1221100108	尾座本體
16	Spindle-tang slot	1	1121101309	122110101	122110101	套筒
17	Cap-spindle	1				銅螺帽
18	Hexagon socket screw , M8xP1.25x10L	3				六角承窩螺絲
19	Screw-spindle feed (in)	1	122110031	122110031	122110031	螺旋軸
	(mm)	1	122110041	122110041	122110041	螺旋軸
20	Key-square , 6x6x25	1				雙圓平行鍵
21	Bearing-thrust , 51204	2	91303005	91303005	91303005	止推軸承
22	Cap-body end	1	1121101407	1221101105	1221101105	尾座後護蓋
23	Screw-hexa. Socket head cap , 96xP1.0x25L	4				
24	Dial-feed (in)	1	1121100508	1221100500	1221100500	刻度環
	(mm)	1	1121100606	1221100608	1221100608	刻度環
25	Washer-wave type , 6205	1				浪型墊圈
26	Handwheel	1	1121100900	1121100900	1121100900	手輪
27	Knob	1	1121102002	1121102002	1121102002	握把
28	Washer , 1/2"	1				平墊圈
29	Nut , 1/2-20UNF	1				特殊耐龍鎖緊螺帽
30	Screw-cross-recessed , M4xP0.7x12L	4				十字圓頭螺絲
31	Case-wiper	2	1122100600	1122100600	1122100600	平型防塵油封固定片
32	Wiper	2	1122100100	1122100100	1122100100	防塵油封
33	Washer-flat , M10	2				平墊圈
34	Bolt-clamp , M10xP1.5x75L	2				六角頭螺絲
35	Clamp	1	1122100708	1122100708	1122100708	制動塊
36	Washer	1	1122103503	1122103503	1122103503	螺帽
38	Case	1	1122100502	1122100502	1122100502	V型防塵油封固定片
39	Wiper	1	1122100100	1122100100	1122100100	防塵油封

TAILSTOCK ASSEMBLY

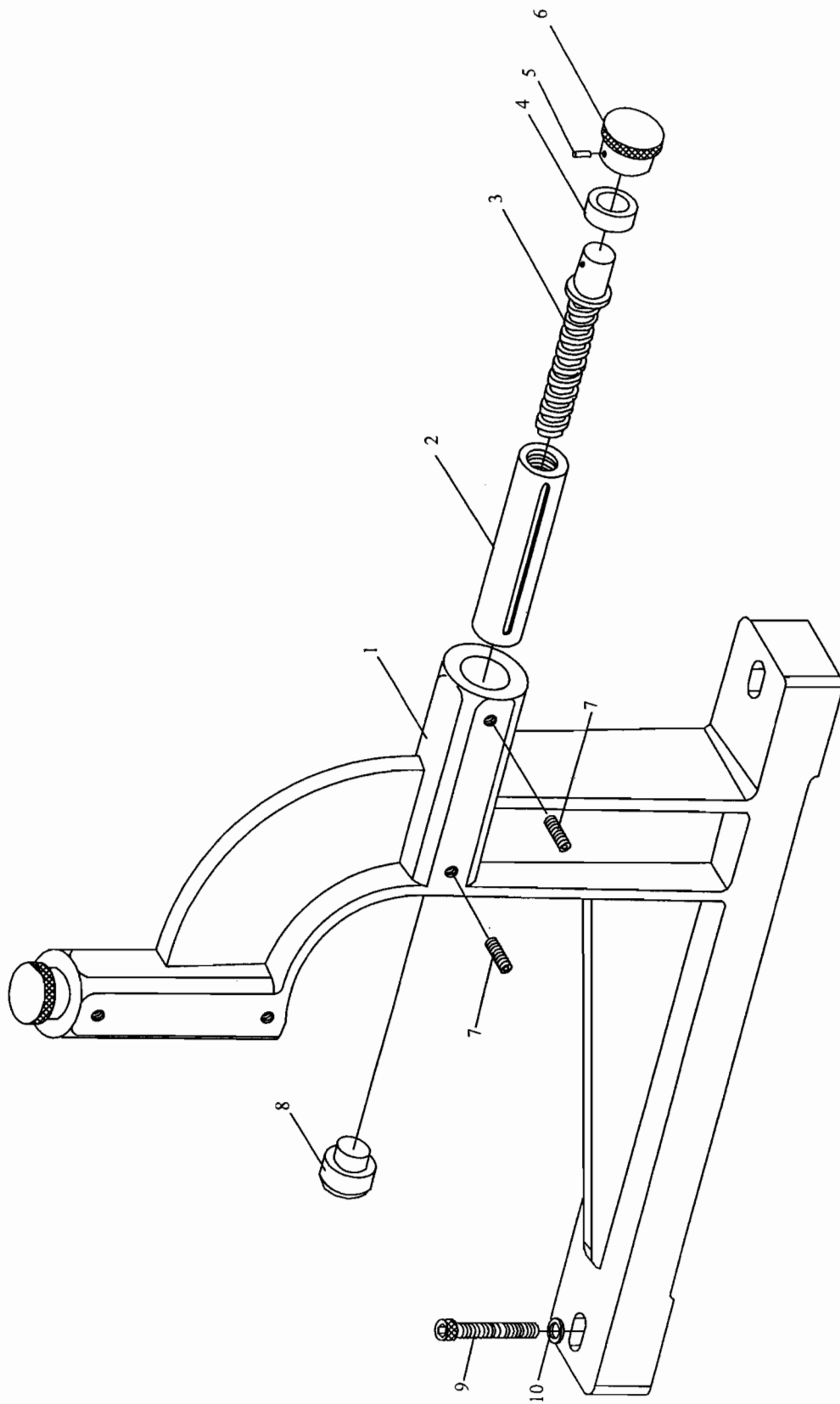
ITEM NO.	Part Name	Amt. Used	Model: 17" (430) Part No.	Model: 19" (480) Part No.	Model: 21" (530) Part No.	名稱
40	Bottom-tailstock	1	122110141	122110021	9307040	尾座底板
41	Bolt-clamp	1	9307041-1	9307041-2	9307041-3	環首螺栓
42	Block-adjusting	1	1221101301	1221101301	1221101301	左右調整塊
43	Screw-hexa. socket , M10xP1.5x80L	2				六角承窩螺絲

9-8 STEADY REST



STEADY REST ASSEMBLY

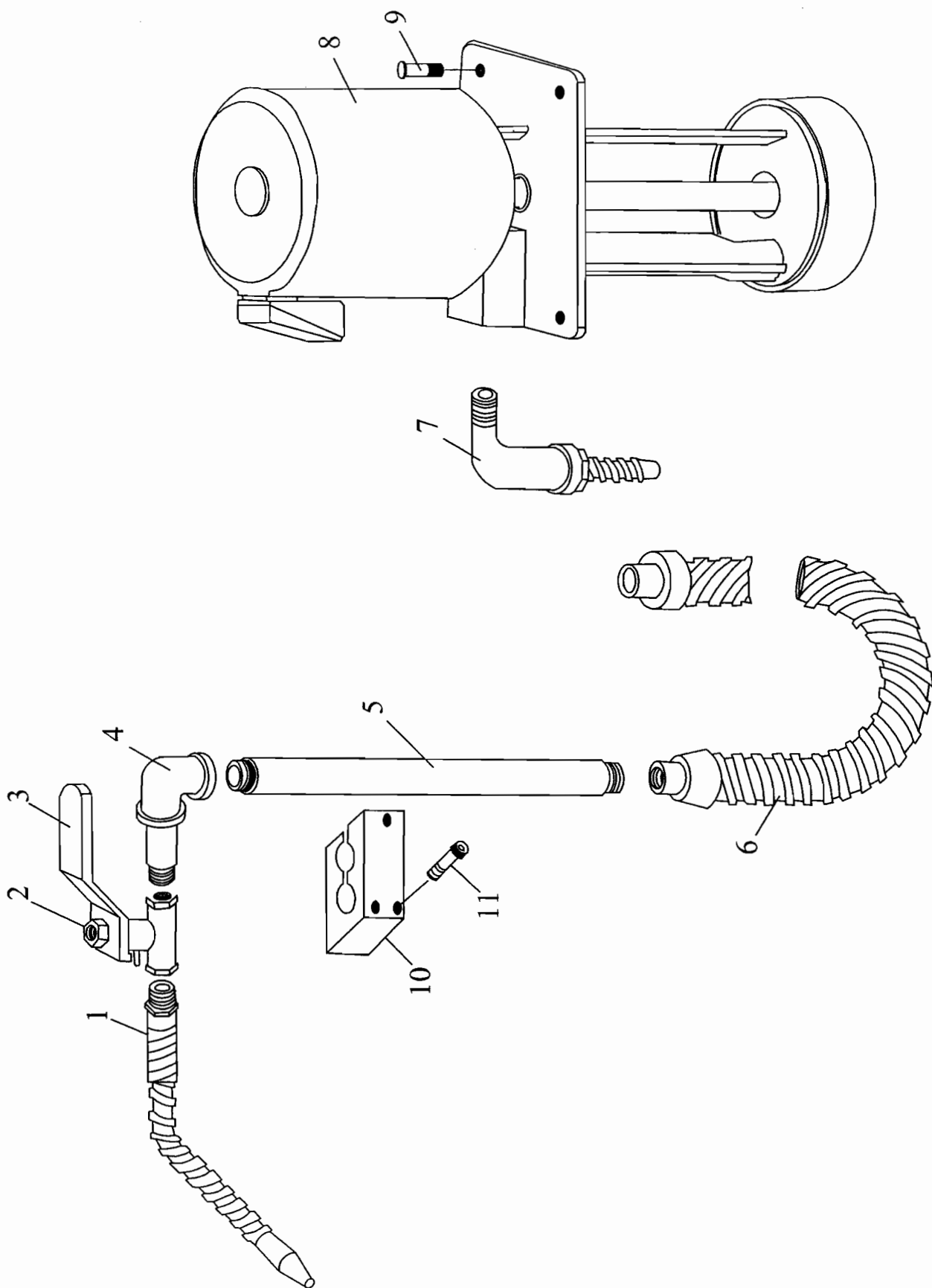
ITEM NO.	Part Name	Amt. Used	Model: 17" (430) Part No.	Model: 19" (480) Part No.	Model: 21" (530) Part No.	名稱
1	Steady-rest (6" Bronze tip type)	1	1003519203	1003501103		中心架
	(6" Roller type)	1	1003519301	1003501201		
	(9" Bronze tip type)	1		1003501309	3008001-008	
	(9" Roller type)	1		1003501407	3008001-007	
2	Plug-lead screw	3				
3	Cap , 6x52L	3				
4	Pin	3				
5	Lead-screw	3				鎖緊螺絲
6	Nut-lead screw	3				心軸
7	Screw-fixed	3				固定螺絲
8	Jaw	3				
9	Pin-fixed	3				
10	Pin , 9x25L	2				
11	Screw	1				螺絲
12	Plug	1				螺帽
13	Nut , W5/8"	1				螺帽
14	Washer	1				墊圈
15	Block-clamp	1	3008015	3008015	3008015	固定架制動塊
16	Bolt	1	1003500400	1003500400	1003500400	制動塊螺栓



9-9 FOLLOW REST

FOLLOW REST ASSEMBLY

ITEM NO.	Part Name	Amt. Used	Model: 17" (430)	Model: 19" (480)	Model: 21" (530)	名稱
			Part No.	Part No.	Part No.	
1	Body-follow rest (Bronze tip type)	1	1003519409	1003503107	3008021-003	跟刀架
	(Roller type)	1	100352700	100352710	3008021-004	
2	Nut-lead screw	2				
3	Lead-screw	2				
4	Collar	2				
5	Pin , 4x25L	2				
6	Plug-lead screw	2				
7	Screw-hexa. Socket headless cap , M8xP1.25x10L	4				六角承窩螺絲
8	Shoe	2				
9	Screw-hexa. Socket head cap , M10xP1.5x30L	2				六角承窩螺絲
10	Washer	2				墊圈



COOLANT SYSTEM ASSEMBLY

ITEM NO.	Part Name	Amt. Used	Model: 17" (430) Part No.	Model: 19" (480) Part No.	Model: 21" (530) Part No.	名稱
1	Nozzle	1				噴嘴
2	Nut-lock	1				
3	Cock-lever	1				凡而
4	Elbow	1				直角接頭
5	Metal pipe	1				
6	Pipe (5 , 6 feet)	1	92605002	92605002	92605002	噴水軟管
	(8 feet)	1	92605003	92605003	92605003	
	(10 feet)	1	92605001	92605001	92605001	
7	Elbow	1				直角接頭
8	Pump body (220V/380V)	1	92111801	92111801	92111801	泵浦
	(220V/440V)	1	92111802	92111802	92111802	
	(415V)	1	92111804	92111804	92111804	
	(600V)	1	92111806	92111806	92111806	
	(110V)	1	92111807	92111807	92111807	
9	Bolt-hex. Head , M6xP1.0x12L	2				
10	Supporter-lock pipe	1				固定塊
11	Screw-hexa. Socket head cap , M6xP1.10x20L	3				六角承窩螺絲