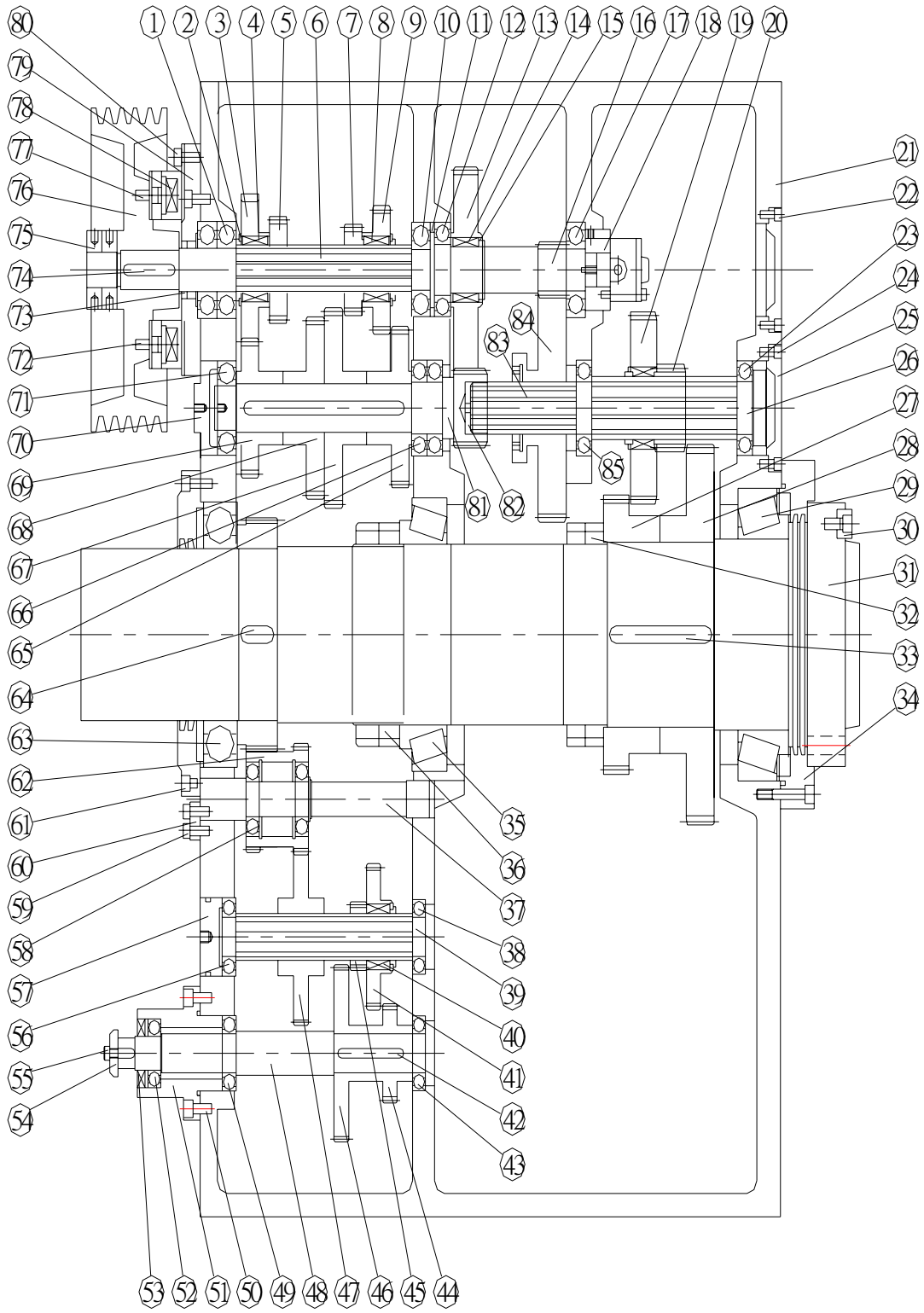


Mechanical Drawings & Parts Breakdown List

Note: When ordering parts, please be prepared with,

1. Machine model & serial number.
2. Item number.
3. Part number and description.
4. Year of Production.
5. Voltage & horsepower.
6. Quantity



PARTS LIST

HEADSTOCK

HEADSTOCK				
REF NO.	PART NO.	DESCRIPTION	PARTS NAME	Q'TY
0 1		BEARING	6309	2
0 2		SNAP RING	S65	1
0 3	HL- 2006	GEAR		1
0 4		KEY	10 x 8 x 35L	1
0 5	HL- 2005	GEAR		1
0 6	HL- 2004	SHAFT		1
0 7	HL- 2007	GEAR		1
0 8		KEY	10 x 8 x 35L	1
0 9	HL- 2008	GEAR		1
1 0		BEARING	6309	1
1 1	HL- 2009	COLLAR		1
1 2		BEARING	6211	1
1 3	HL- 2011	GEAR		1
1 4		KEY	10 x 8 x 35L	1
1 5		SNAP RING	S65	1
1 6	HL- 2010	BEARING SHAFT		1
1 7		BEARING	6309	1
1 8	HL- 2012	PUMP BASE		1
1 9	HL- 2026	GEAR		1
2 0	HL- 2025	GEAR		1
2 1	HL- 2001	HEADTOCK CASTING		1
2 2		SOCKET CAP SCREW	M8	3
2 3		BEARING	6211	1
2 4		SOCKET CAP SCREW	M8	3
2 5	HL- 2014	COVER		2
2 6	HL- 2023	SHAFT		1

HEADSTOCK

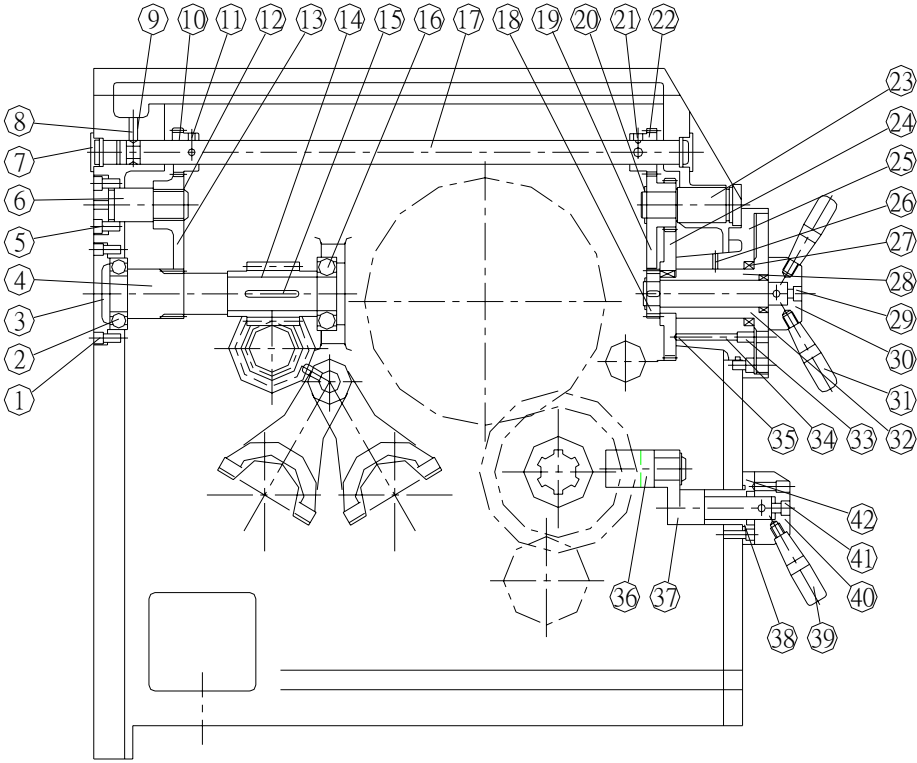
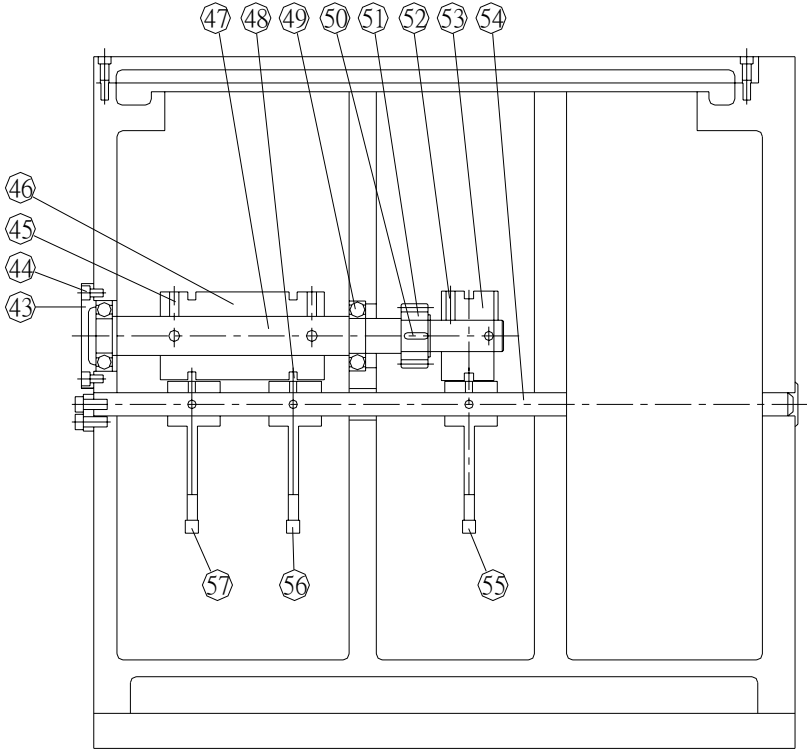
REF NO.	PART NO.	DESCRIPTION	PARTS NAME	Q'TY
27	HL- 2030	GEAR		1
28	HL- 2029	GEAR		1
29		TAPER ROLLER BEARING	32040x	1
30		DRIVING BOTTON		1
31	HL- 2002	SPINDLE		1
32	HL- 2031	LOCK NUT		2
33		KEY	18 x 12 x 140L	2
34	HL- 2034	COVER		1
35		TAPER ROLLER BEARING	32038x	1
36	HL- 2032	LOCK NUT		2
37	HL- 2036	SHAFT		1
38		BEARING	6208	1
39	HL- 2039	SHAFT		1
40		KEY	10 x 8 x 30L	1
41	HL- 2042	GEAR		1
42		KEY	10 x 8 x 90L	1
43		BEARING	6208	1
44	HL- 2046	GEAR		1
45	HL- 2041	GEAR		1
46	HL- 2045	GEAR		1
47	HL- 2040	GEAR		1
48	HL- 2044	SHAFT		1
49		BEARING	6208	1
50		SOCKET CAP SCREW	M10	4
51	HL- 2047	COVER		1
52		BEARING	6207	1

HEADSTOCK				
REF NO.	PART NO.	DESCRIPTION	PARTS NAME	Q'TY
53		OIL SEAL	TC357210	1
54	HL- 3064	WASHER		1
55		SOCKET CAP SCREW	M8	1
56		BEARING	6208	1
57	HL- 2043	COVER		1
58		BEARING	6208	2
59		SOCKET CAP SCREW	M10	2
60	HL- 2038	PRESS BLOCK		1
61	HL- 2035	COVER		1
62	HL- 2037	GEAR		1
63		BALL BEARING	6036	2
64		KEY	18 x 12 x 45L	1
65	HL- 2021	GEAR		2
66		BEARING	6211	1
67	HL- 2020	GEAR		1
68	HL- 2019	GEAR		1
69	HL- 2018	GEAR		1
70	HL- 2027	COVER		1
71		BEARING	6309	1
72		SOCKET CAP SCREW	M10	3
73		OIL SEAL	TC45608	1
74		KEY	10 x 8 x 70L	2
75	HL- 2016	NUT		2
76	HL- 2015	V BELT PULLEY		1
77		SOCKET CAP SCREW	M10	
78		CLUTCH	TMB20	1

HEADSTOCK

REF NO.	PART NO.	DESCRIPTION	PARTS NAME	Q'TY
79	HL- 2013	COVER		1
80		SOCKET CAP SCREW	M10	4
81	HL- 2017	GEAR SHAFT		1
82	HL- 2022	BLOCK		1
83	HL- 2023	SHAFT		1
84	HL- 2024	GEAR		1
85		BEARING	6211	1

HEADSTOCK



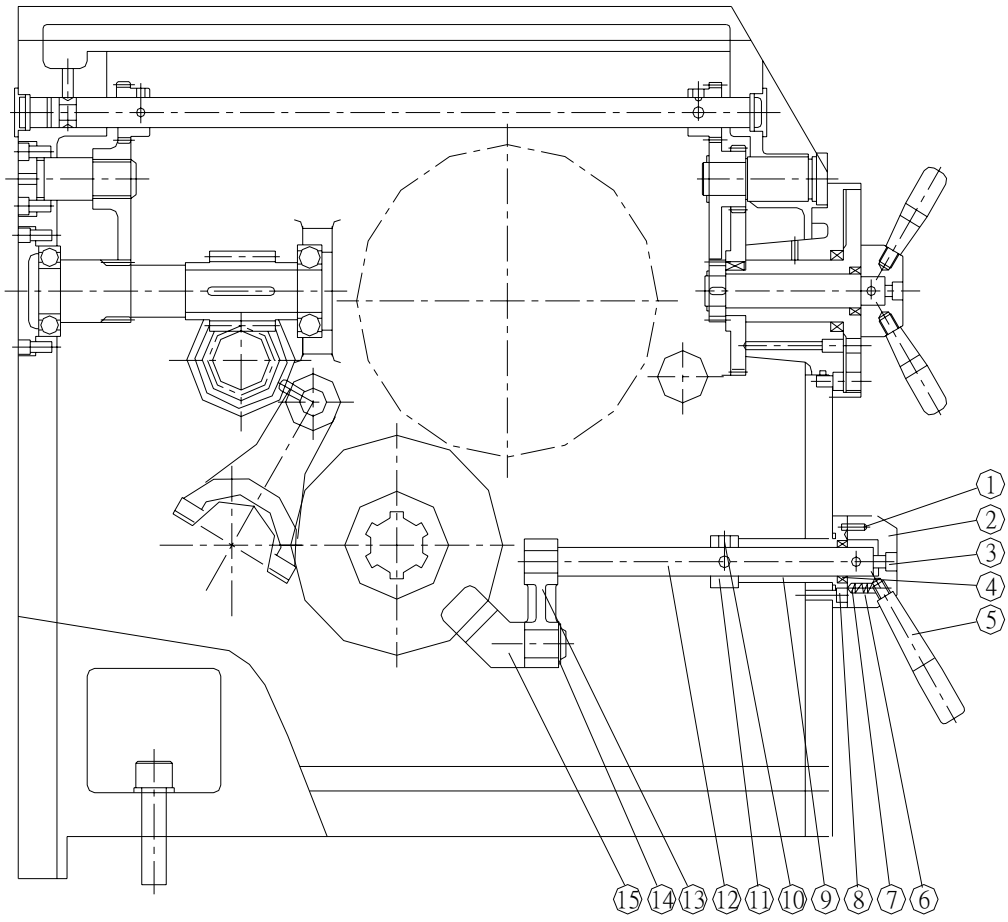
HEADSTOCK				
REF NO.	PART NO.	DESCRIPTION	PARTS NAME	Q'TY
0 1		SOCKET CAP SCREW	M8	3
0 2		BEARING	6208	1
0 3	HL- 2052	COVER		1
0 4	HL- 2063	GEAR SHAFT		1
0 5		SOCKET CAP SCREW	M8	3
0 6	HL- 2067	SHAFT		1
0 7		OIL COVER	§ 32	3
0 8		SET SCREW	M10	1
0 9	HL- 2071	COLLAR		1
1 0	HL- 2070	GEAR		1
1 1		SET SCREW	M10	2
1 2		SNAP RING	S30	1
1 3	HL- 2068	GEAR		1
1 4	HL- 2064	WORM		1
1 5		KEY	6 x 6 x 60L	1
1 6		BEARING	6307	1
1 7	HL- 2069	SHAFT		1
1 8	HL- 2062	GEAR		1
1 9	HL- 2066	GEAR		1
2 0		SNAP RING	S30	1
2 1		SET SCREW	M10	2
2 2	HL- 2070	GEAR		1
2 3	HL- 2065	SHAFT		1
2 4	HL- 2061	GEAR		1
2 5	HL- 2058	NAME PLATE COVER		1
2 6		OIL CAP	M6	1

HEADSTOCK				
REF NO.	PART NO.	DESCRIPTION	PARTS NAME	Q'TY
27		OIL SEAL	TC-357010	1
28	HL- 2059	NAME PLATE COVER		1
29		SOCKET CAP SCREW	M8	1
30	HL- 2057	LEVER BOSS		1
31	HL- 2056	HANDLE		2
32	HL- 2060	SHAFT		1
33		SOCKET CAP SCREW	M10	1
34		SPRING	M8	1
35		STEEL BALL		1
36	HL- 2076	FORK		2
37	HL- 2075	FORK ARM		2
38		SOCKET CAP SCREW	M8	4
39	HL- 2056	HANDLE		2
40	HL- 2073	LEVER BOSS		2
41		SOCKER CAP SCREW	M8	2
42	HL- 2074	BUSHING		2
43	HL- 2052	COVER		1
44		SOCKET CAP SCREW	M8	3
45		SET SCREW	M10	4
46	HL- 2049	CAM		1
47	HL- 2048	SHAFT		1
48	HL- 2055	PIN		3
49		BEARING	6208	1
50		KEY	6 x 6 x 25L	1
51	HL- 2051	GEAR		1
52		SOCKET CAP SCREW	M10	1

HEADSTOCK

REF NO.	PART NO.	DESCRIPTION	PARTS NAME	Q'TY
5 3	HL- 2050	CAM		1
5 4	HL- 2053	SHAFT		1
5 5	HL- 2054	FORK		1
5 6	HL- 2054	FORK		1
5 7	HL- 2054	FORK		1

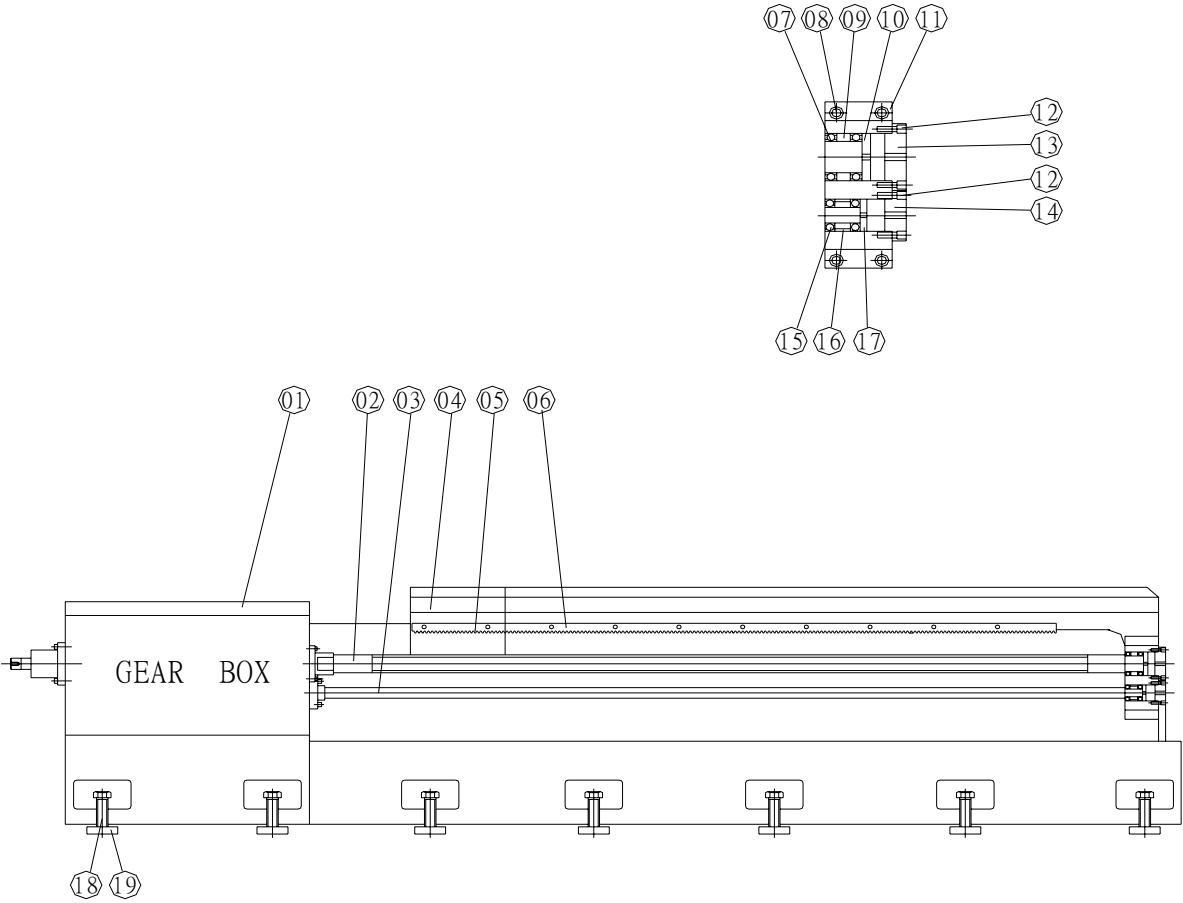
HEADSTOCK



HEADSTOCK

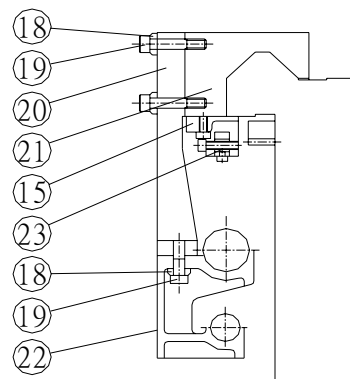
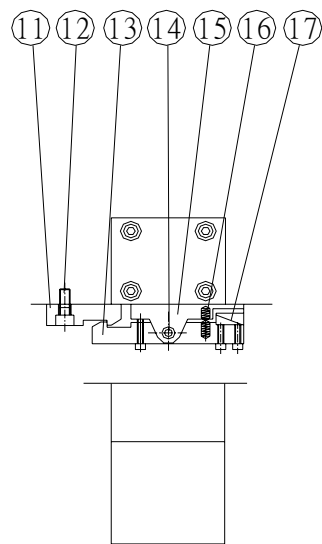
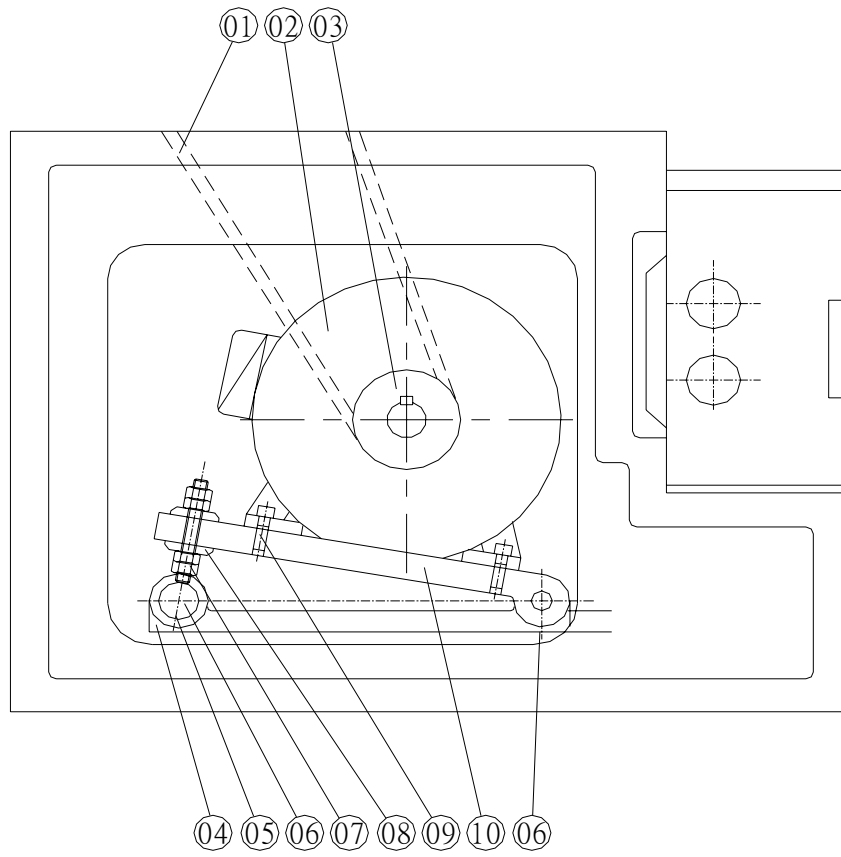
REF NO.	PART NO.	DESCRIPTION	PARTS NAME	Q'TY
0 1		PIN	Ø5	1
0 2	HL-2078	LEVER BOSS		1
0 3		SOCKET CAP SCREW	M8	1
0 4		OIL SEAL	TC-30428	1
0 5	HL- 2077	HANDLE		1
0 6		SPRING	M8	1
0 7		STEEL BALL	Ø8	1
0 8		SOCKET CAP SCREW	M8	2
0 9	HL-2079	SLEEVE		1
10		SOCKET CAP SCREW	M10	2
11	HL-2081	SET RING		1
12	HL-2080	SHAFT		1
13	HL-2082	FORK ARM		1
14		SNAP RING	S25	1
15	HL-2083	FORK		1

BED



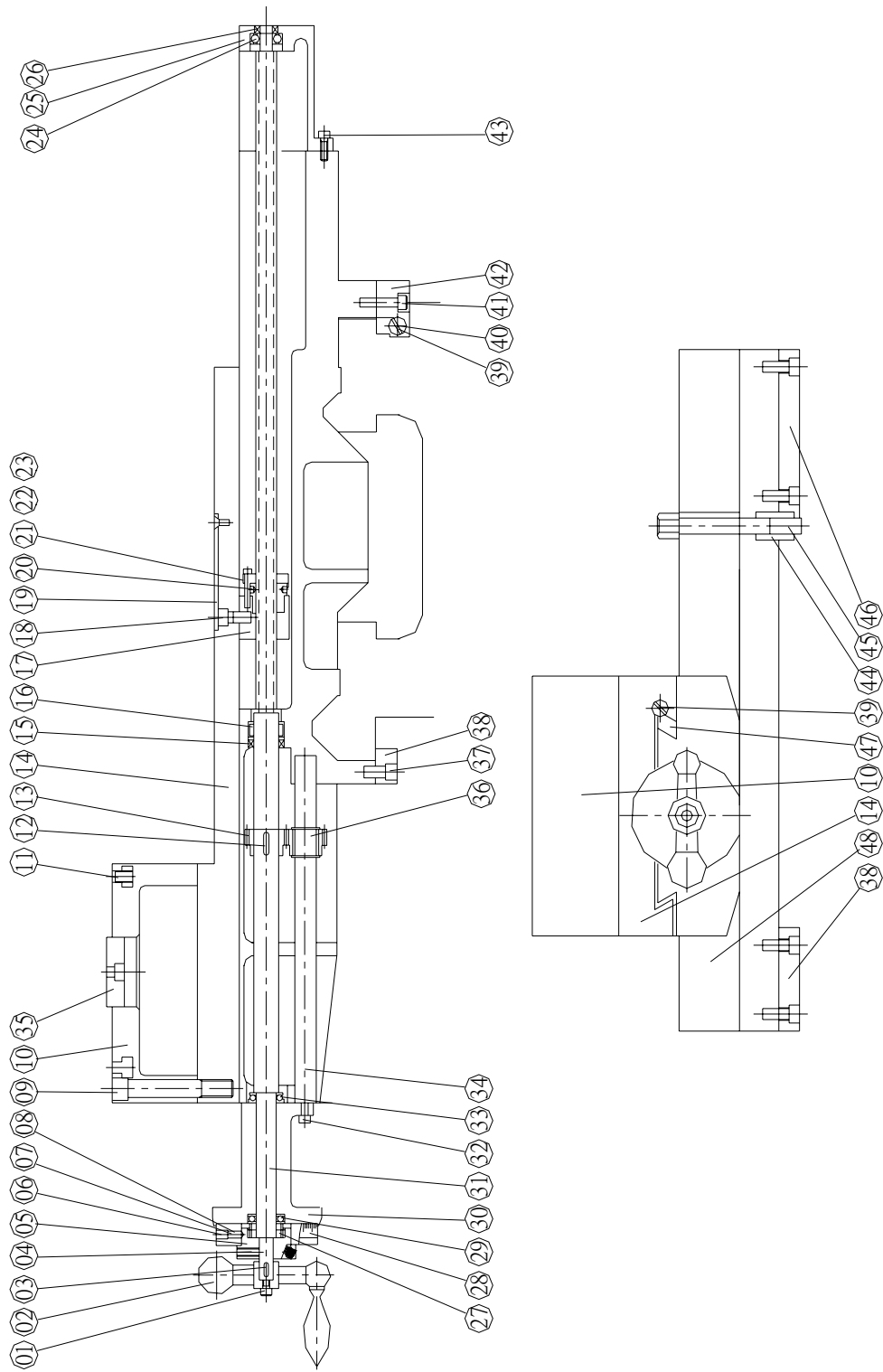
BED				
REF NO.	PART NO.	DESCRIPTION	PARTS NAME	Q'TY
0 1	HL- 1001	MACHINE BED CASTING		1
0 2	HL- 1006	LEADSCREW		1
0 3	HL- 1007	FEED ROD		1
0 4	HL- 1002	GAP		1
0 5	HL- 1003	GEAR RACK		1
0 6	HL- 1004	GEAR RACK		1~
0 7		BEARING	#6008	2
0 8		SOCKET CAP SCREW	M10	4
0 9	HL- 1009	COLLAR		1
1 0	HL- 1010	COLLAR		1
1 1	HL- 1008	BRACKET		1
1 2		SOCKET CAP SCREW	M8	6
1 3	HL- 1011	COVER		1
1 4	HL- 1014	COVER		1
1 5		BEARING	6005	1
1 6	HL- 1012	COLLAR		2
1 7	HL- 1013	COLLAR		1
1 8	HL- 1030	LEVELING SCREW		14~
1 9	HL- 1031	LEVELING PAD		14~

BED



BED				
REF NO.	PART NO.	DESCRIPTION	PARTS NAME	Q'TY
0 1		V-BELT	B-	5
0 2		SPINDLE MOTOR	40HP	1
0 3	HL- 1019	V BELT PULLEY		1
0 4	HL- 1016	LOW-PLATE		1
0 5	HL- 1018	SCREW SLEEVE		2
0 6	HL- 1017	SHAFT		2
0 7		NUT	M16	8
0 8		WASHER		4
0 9		SCREW		4
1 0	HL- 1015	MOTOR PLATE		1
1 1	HL-1019-1	CONNECTING ROD		2
1 2		SCREW	M8	2
1 3	HL-1025	CONNECTING ROD		2
1 4		SOCKET CAP SCREW	M8	2
1 5	HL-1023	LOCKING PLATE		2
1 6	HL- 1024	LOCKING SCREW		2
1 7		SPRING	M8	2
1 8	HL- 1027	SUPPORT BLOCK		2
1 9	HL- 1028	SCREW		2
2 0	HL- 1029	WASHER		12
2 1		SOCKET CAP SCREW	M10	12
2 2	HL- 1021	TOP BRACKET		2
2 3	HL- 1020	BRACKET		2
2 4	HL- 1022	BOTTOM BRACKET		2

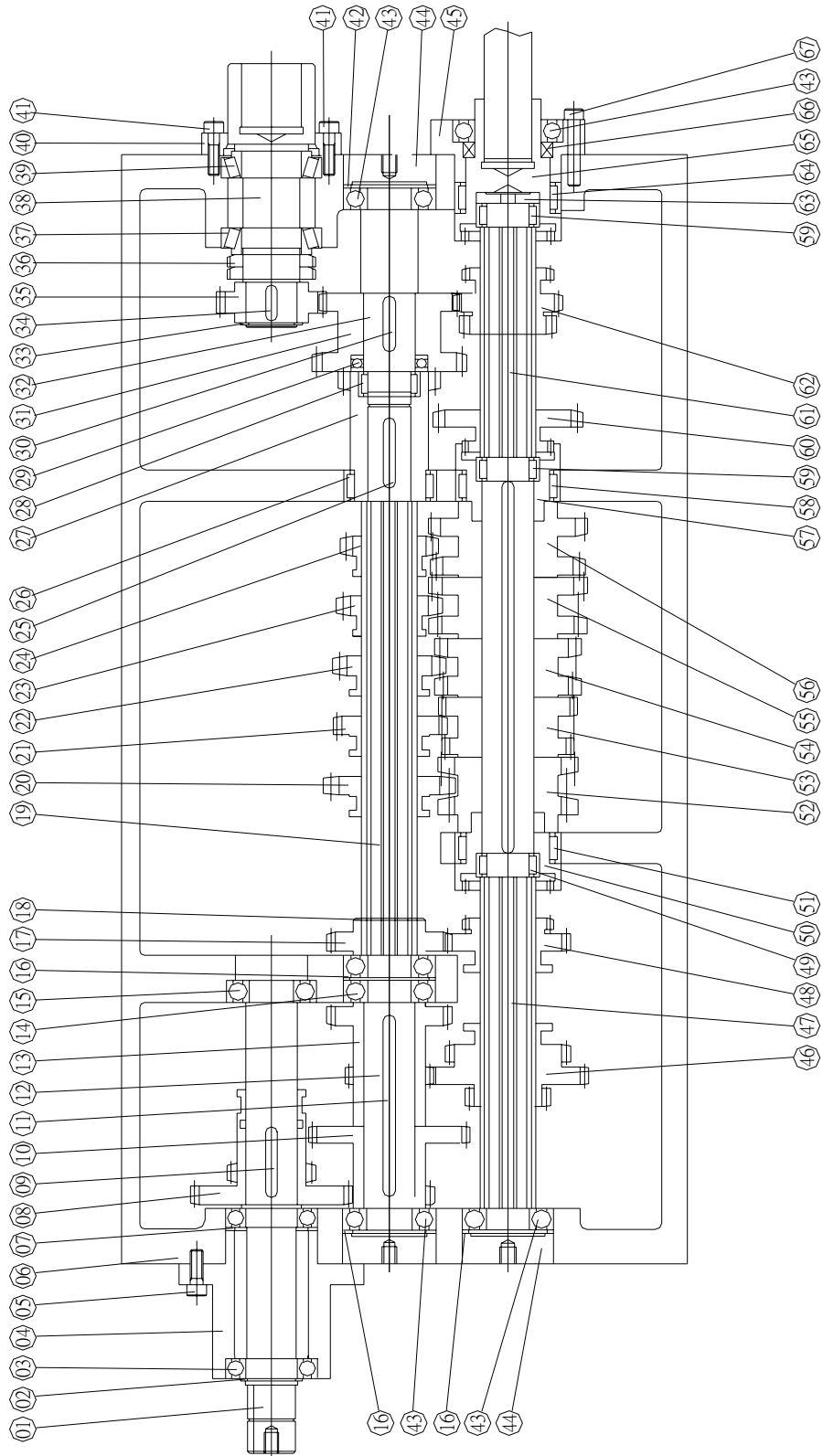
CARRIAGE



CARRIAGE				
REF NO.	PART NO.	DESCRIPTION	PARTS NAME	Q'TY
01		SCREW	M8	1
02		HANDLE		1
03		KEY	4 x 16	1
04		SOCKET CAP SCREW	M10	1
05	HL- 5005	BUSHING		1
06		SOCKET CAP SCREW	M10	1
07		SPRING	M8	1
08		STEEL BALL	M8	1
09		SOCKET CAP SCREW	M16	4
10	HL- 5003	GRADUATON SLIDE		1
11	HL- 5023	NUT		4
12		KEY	6 x 25	1
13	HL- 5009	GEAR	18T	1
14	HL- 5002	SADDLE SLIDE		1
15		OIL SEAL	TC30428	1
16		NEEDLE BEARING	RNA4905	1
17	HL- 5010	NUT		1
18		SOCKET CAP SCREW	M10	2
19	HL- 5024	COVER		1
20	HL- 5011	NUT		1
21	HL- 5012	COLLAR		1
22		SOCKET CAP SCREW	M6	4
23		SOCKET CAP SCREW	M5	4
24		BEARING	6004	1
25	HL- 5013	BRACKET		1
26		OIL COVER	ø32	1

CARRIAGE				
REF NO.	PART NO.	DESCRIPTION	PARTS NAME	Q'TY
27		NUT	AN05	1
28	HL- 5006	GRADUATION DIAL		1
29		THRUST BEARING	51105	1
30	HL- 5007	BRACKET		1
31	HL- 5008	LEADSCREW		1
32		SOCKET CAP SCREW	M8	2
33		THRUST BEARING	51105	1
34	HL- 5014	SHAFT		1
35	HL- 5022	SHAFT		1
36	HL- 5015	GEAR	M2.5 x 18T	1
37		SOCKET CAP SCREW	M12	4
38	HL- 5019	LOCK PLATE		1
39		SOCKET CAP SCREW	M8	4
40	HL- 5021	GIB		1
41		SOCKET CAP SCREW	M12	5
42	HL- 5020	LOCK PLATE		1
43		SOCKET CAP SCREW	M8	3
44	HL- 5016	LOCK PLATE		1
45		SCREW SLEEVE	M16	1
46	HL- 5018	LOCK PLATE		1
47	HL- 5004	GIB		1
48	HL- 5001	CARRIAGE		1

GEAR BOX

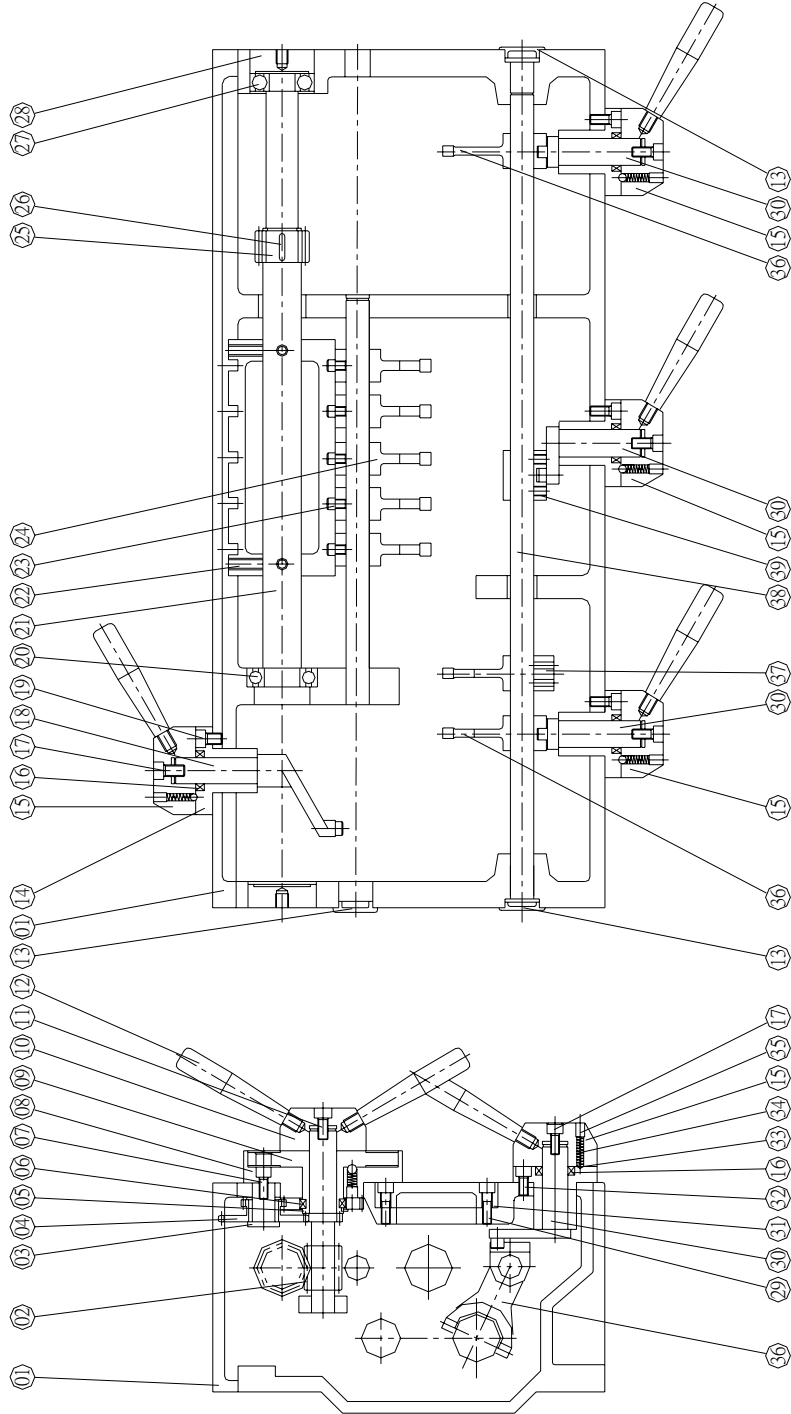


GEAR BOX				
REF NO.	PART NO.	DESCRIPTION	PARTS NAME	Q'TY
0 1	HL- 3005	SHAFT		1
0 2		SNAP RING	S25	1
0 3		BEARING	6007	2
0 4	HL- 3004	A1 COVER		1
0 5		SOCKET CAP SCREW	M8	3
0 6	HL- 3001	GEAR BOX		1
0 7		SPRING WASHER	ø62	1
0 8	HL- 3006	GEAR		1
0 9		KEY	8 x 7 x 50L	1
1 0	HL- 3012	GEAR		1
1 1		KEY	8 x 7 x 130L	1
1 2	HL- 3011	SHAFT		1
1 3	HL- 3013	GEAR		1
1 4		BEARING	#6206	2
1 5		BEARING	6206	2
1 6		SPRING WASHER	RTW56	1
1 7	HL- 3015	GEAR		1
1 8		SNAP RING	S38	1
1 9	HL- 3014	B2 SHAFT		1
2 0	HL- 3016	GEAR		1
2 1	HL- 3017	GEAR		1
2 2	HL- 3018	GEAR		1
2 3	HL- 3019	GEAR		1
2 4	HL- 3020	GEAR		1
2 5		KEY	8 x 7 x 50L	1
2 6		NEEDLE BEARING	RNA4908	1

GEAR BOX				
REF NO.	PART NO.	DESCRIPTION	PARTS NAME	Q'TY
27	HL- 3021	GEAR		1
28		NEEDLE BEARING	RNA4905	1
29		NEEDLE BEARING	RNA4905	1
30		KEY	8 x 7 x 40	1
31	HL- 3023	GEAR		1
32	HL- 3022	B3 SHAFT		1
33		SNAP RING	S35	1
34		KEY	8 x 7 x 25	2
35	HL- 3009	GEAR		1
36		NUT	AN08	2
37		TAPER ROLLER BEARING	#32008X	1
38	HL- 3008	A2 SHAFT		1
39		TAPER ROLLER BEARING	#32008X	1
40	HL- 5007	COVER		1
41		SOCKET CAP SCREW	M8	3
42		SPRING WASHER	ø68	1
43		BEARING	6206	3
44	HL- 3010	COVER		3
45	HL- 3039	C COVER		1
46	HL- 3025	GEAR		1
47	HL- 3024	C1 SHAFT		1
48	HL- 3026	GEAR		1
49		NEEDLE BEARING	RNA4905	1
50	HL- 3028	GEAR		1
51		NEEDLE BEARING	RNA4910	1
52	HL- 3029	GEAR		1

GEAR BOX				
REF NO.	PART NO.	DESCRIPTION	PARTS NAME	Q'TY
5 3	HL- 3030	GEAR		1
5 4	HL- 3031	GEAR		1
5 5	HL- 3032	GEAR		1
5 6	HL- 3033	GEAR		1
5 7	HL- 3028	GEAR		1
5 8		NEEDLE BEARING	RNA4910	1
5 9		NEEDLE BEARING	RNA4905	2
6 0	HL-3035	GEAR		1
6 1	HL- 3034	SHAFT		1
6 2	HL- 3036	GEAR		1
6 3	HL- 3038	COLLAR		1
6 4		NEEDLE BEARING	RNA4910	1
6 5	HL- 3037	SHAFT		1
6 6		OIL SEAL	TC45608	1
6 7		SOCKET CAP SCREW	M8	3

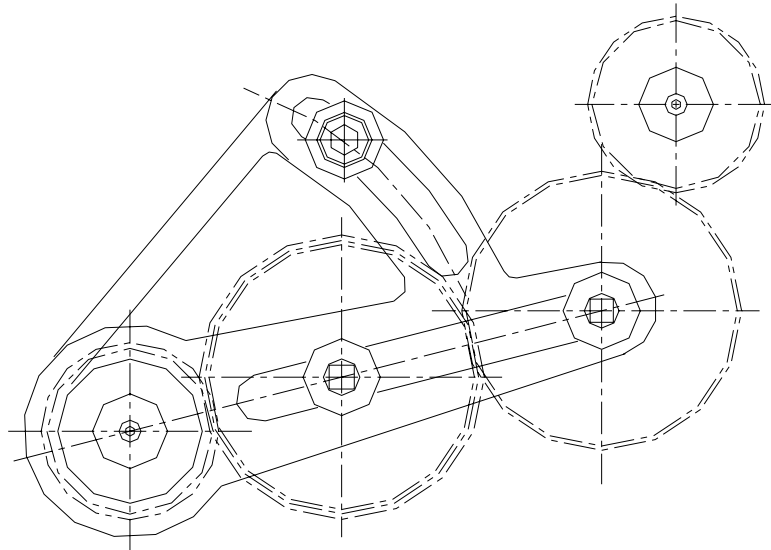
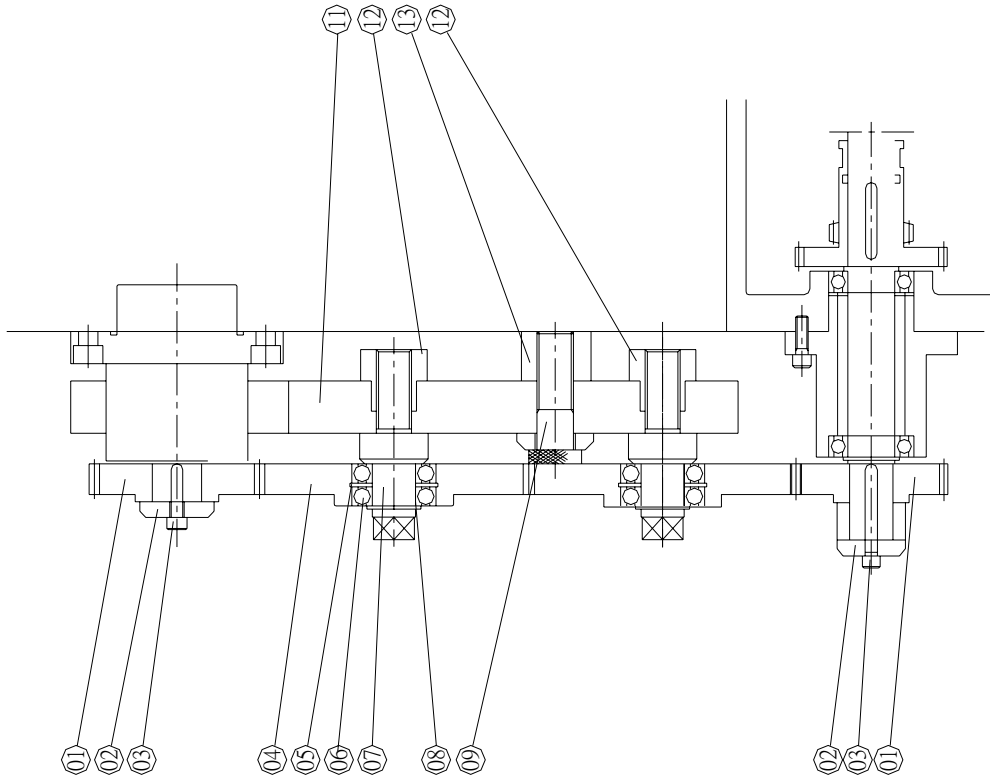
GEAR BOX



GEAR BOX				
REF NO.	PART NO.	DESCRIPTION	PARTS NAME	Q'TY
0 1	HL- 3002	TOP COVER		1
0 2	HL- 3055	SHAFT		1
0 3	HL- 3056	SHAFT		1
0 4	HL- 3057	GEAR		1
0 5		SNAP RING	S38	1
0 6		KEY	5 x 5 x 8L	1
0 7		SOCKET CAP SCREW	M8	4
0 8	HL- 3052	LOCATING BASE		1
0 9	HL- 3053	NAME-PLATE COVER		1
1 0	HL- 2073	LEVER BOSS		4
1 1		SOCKET CAP SCREW	M8	1
1 2	HL- 2072	HANDLE		6
1 3		OIL COVER	ø32	3
1 4	HL- 3049	BUSHING		4
1 5	HL- 2073	LEVER BOSS		4
1 6		OIL SEAL	TC25357	4
1 7		SOCKET CAP SCREW	M8	4
1 8	HL- 3050	FORK ARM		1
1 9		SOCKET CAP SCREW	M8	8
2 0		BEARING	6206	1
2 1	HL- 3040	SHAFT		1
2 2		SET SCREW	M10	4
2 3	HL- 2055	PIN		5
2 4	HL- 3044	FORK		5
2 5	HL- 3042	GEAR		1
2 6		KEY	6 x 6 x 25L	1

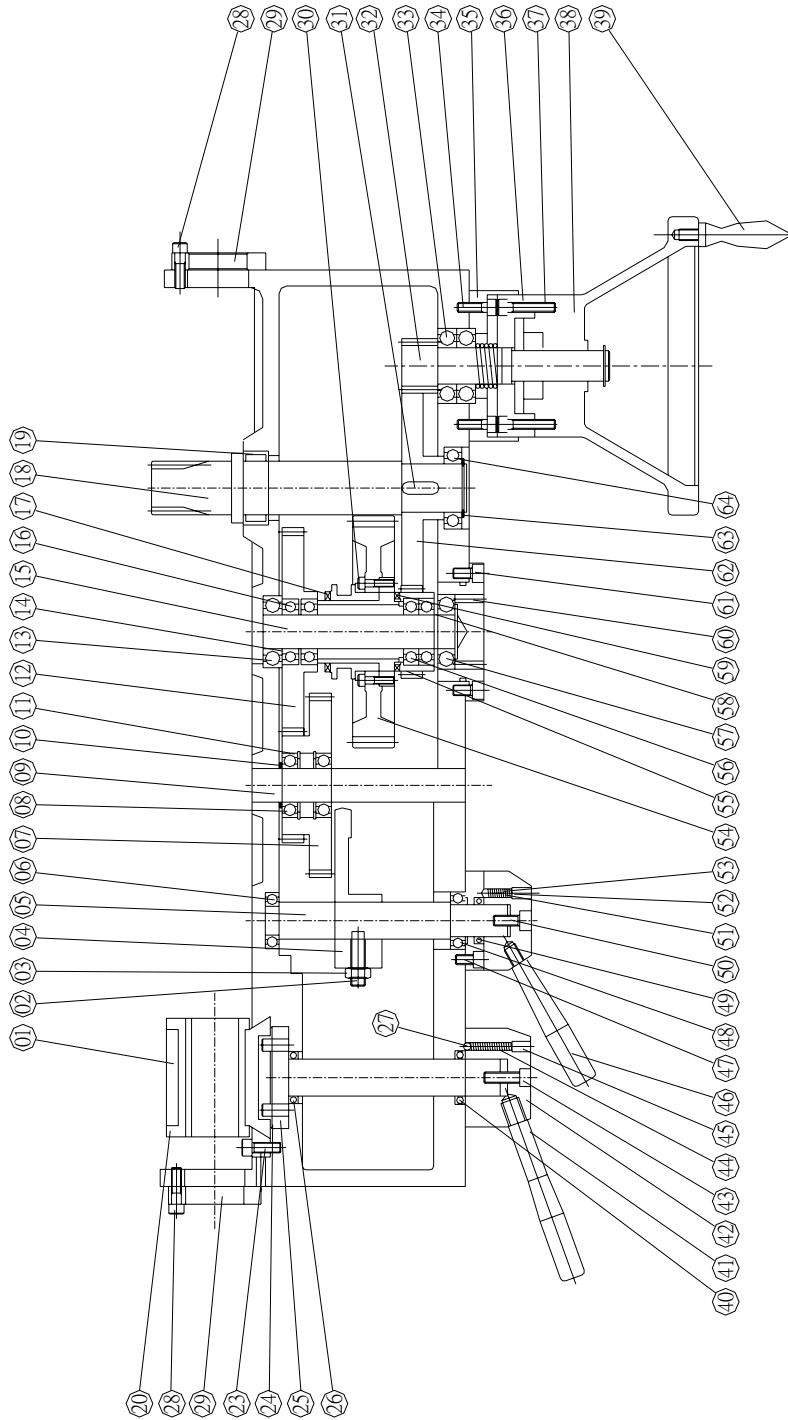
GEAR BOX				
REF NO.	PART NO.	DESCRIPTION	PARTS NAME	Q'TY
27		BEARING	6305	1
28	HL- 3010	COVER		1
29		SOCKET CAP SCREW	M8	8
30	HL- 3051	FORK ARM		3
31	HL- 3003	COVER		1
32		SOCKET CAP SCREW	M8	2
33		STEEL BALL	M8	5
34		SPRING	M8	5
35		SOCKET CAP SCREW	M10	5
36	HL- 3047	FORK		2
37	HL- 3048	FORK		1
38	HL- 3045	SHAFT		1
39	HL- 3046	FORK		1

END GEARS



END GEARS				
REF NO.	PART NO.	DESCRIPTION	PARTS NAME	Q'TY
0 1	HL- 3059	GEAR		1
0 2	HL- 3064	WASHER		2
0 3		SOCKET CAP SCREW	M8	2
0 4	HL- 3060	GEAR		2
0 5		SNAP RING	R55	2
0 6		BEARING	6006	4
0 7	HL- 3061	SHAFT		2
0 8		SNAP RING	S30	2
0 9		CAP SCREW	M24	1
1 0		WASHER	M24	1
1 1	HL- 3058	BRACKET		1
1 2	HL- 3062	NUT		2
1 3	HL- 3063	WASHER		1

APRON

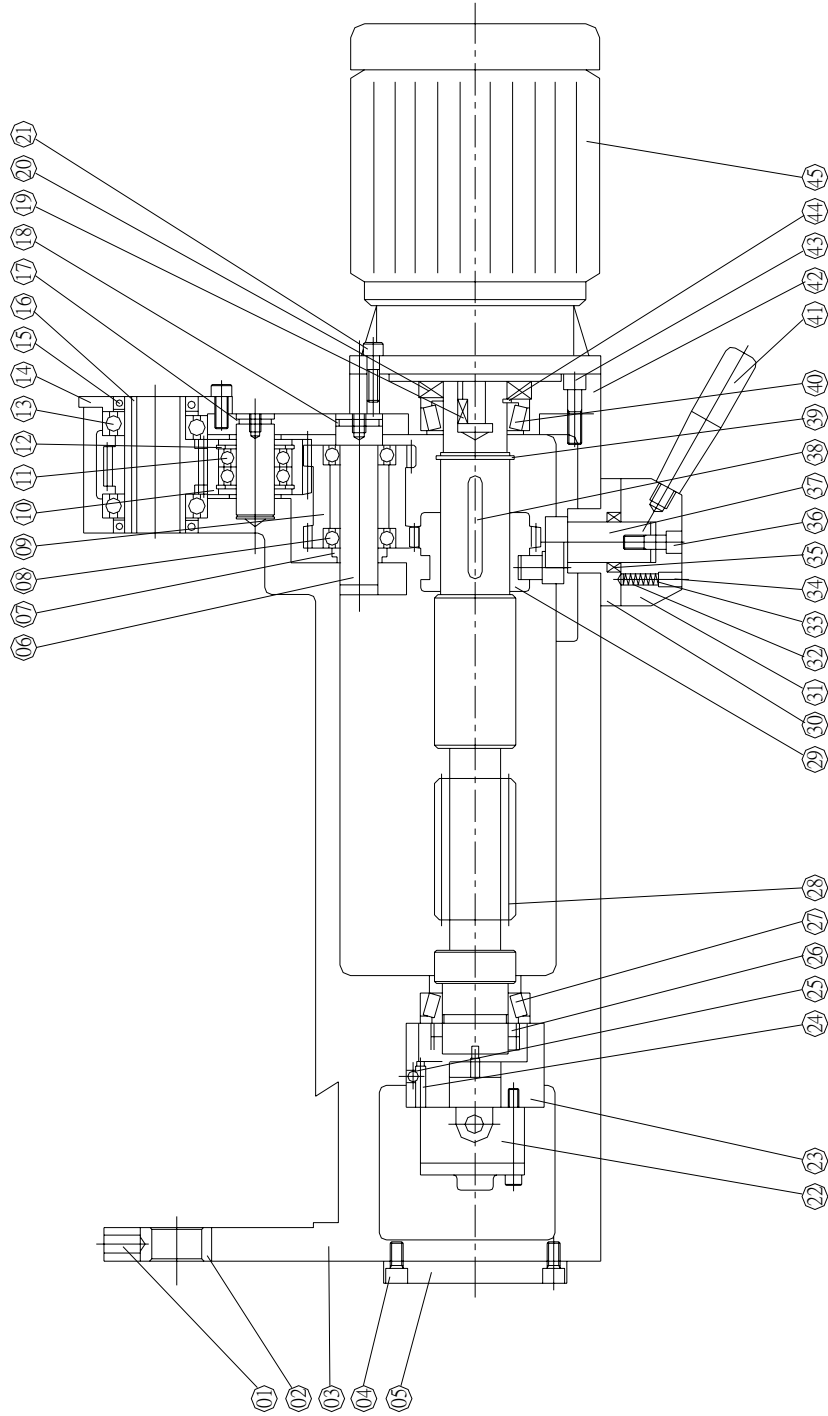


APRON				
REF NO.	PART NO.	DESCRIPTION	PARTS NAME	Q'TY
0 1	HL- 4043	HALF NUT		1
0 2		SOCKET CAP SCREW	M12	1
0 3		NUT	M12	1
0 4	HL- 4038	FORK		1
0 5	HL- 4037	SHAFT		1
0 6		BEARING	6005	1
0 7	HL- 4012	GEAR		1
0 8		BEARING	6006	2
0 9	HL- 4011	SHAFT		1
1 0		SNAP RING	S30	2
1 1		SNAP RING	R55	2
1 2	HL- 4005	GEAR		1
1 3		BEARING	6206	1
1 4		SPRING WASHER	STW35	1
1 5	HL- 4004	B SHAFT		1
1 6		BEARING	6006	2
1 7	HL- 4007	CLUTCH GEAR		1
1 8	HL- 4002	GEAR-SHAFT		1
1 9		NEEDLE BEARING	RNA4908	1
2 0	HL- 4033	NUT		1
2 1	HL- 4001	APRON		1
2 2		SCREW	M8	4
2 3	HL- 4035	GIB		1
2 4		PIN	ø10	2
2 5	HL- 4032	SHAFT		1
2 6		OIL SEAL	TC30428	1

APRON				
REF NO.	PART NO.	DESCRIPTION	PARTS NAME	Q'TY
27		STEEL BALL	M8	1
28		SOCKET CAP SCREW	M8	2
29	HL- 4042	COVER		2
30		SCREW	M6	6
31		KEY	8 x 7 x 30	1
32	HL- 4026	GEAR		1
33		BEARING	6206	2
34		SOCKET CAP SCREW	M8	2
35	HL- 4027	COVER		1
36	HL- 4028	GRADUATION DIAL		1
37		SOCKET CAP SCREW	M8	3
38	HL- 4029	HAND WHEEL		1
39		HANDLE	ø25	1
40		OIL SEAL	TC30428	1
41	HL- 4030	HANDLE		1
42	HL- 4031	LEVER BOSS		1
43		SOCKET CAP SCREW	M8	1
44		SPRING	M8	1
45		SET SCREW	M10	1
46	HL- 2072	HANDLE		1
47		SOCKET CAP SCREW	M8	2
48		BEARING	6005	1
49		OIL SEAL	TC253507	1
50		SSOCKET CAP SCREW	M8	1
51		SPRING	M8	1
52		SOCKET CAP SCREW	M10	1

APRON				
REF NO.	PART NO.	DESCRIPTION	PARTS NAME	Q'TY
5 3		STEEL BALL	ø8	1
5 4	HL- 4008	GEAR		1
5 5	HL- 4009	GEAR		1
5 6		BEARING	6006	2
5 7		BEARING	6206	1
5 8		SNAP RING	S30	1
5 9	HL- 4006	SPLINE SHAFT		1
6 0		SOCKET CAP SCREW	M6	4
6 1		SOCKET CAP SCREW	M8	3
6 2	HL- 4003	GEAR		1
6 3		SNAP RING	S40	1
6 4		BEARING	6008	1

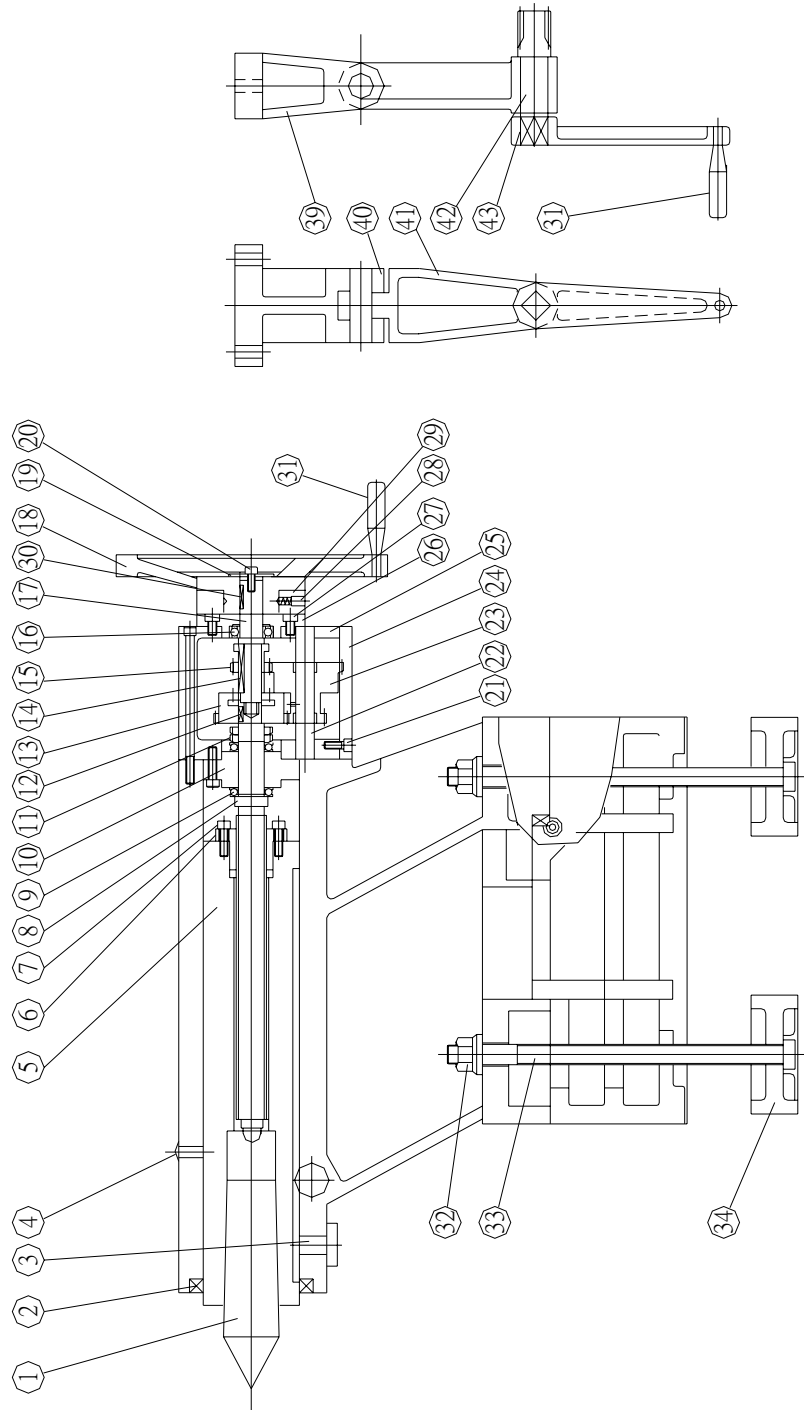
APRON



APRON				
REF NO.	PART NO.	DESCRIPTION	PARTS NAME	Q'TY
0 1		SOCKET CAP SCREW	M10	1
0 2	HL- 4015	BUSHING		1
0 3	HL- 4001	APRON CASTING		1
0 4		SOCKET CAP SCREW	M8	2
0 5	HL- 4025	COVER		1
0 6	HL- 4018	F SHAFT		1
0 7	HL- 4020	COLLAR		1
0 8		BEARING	6005	2
0 9	HL- 4019	GEAR		1
1 0	HL- 4017	GEAR		1
1 1		BEARING	6005	2
1 2		SNAP RING	R47	2
1 3		BEARING	6008	2
1 4	HL- 4014	COVER		1
1 5		OIL SEAL	TC40558	2
1 6	HL- 4013	GEAR		1
1 7		O-RING	P21	1
1 8		O-RING	G25	1
1 9		KEY	5 x 5 x 15L	1
2 0		OIL SEAL	TC40708	1
2 1		SOCKET CAP SCREW	M8	4
2 2		PUMP	AM2	1
2 3	HL- 4023	PUMP BASE		1
2 4		SET SCREW	M6	1
2 5		STEEL BALL	M8	1
2 6		NUT	AN08	2

APRON				
REF NO.	PART NO.	DESCRIPTION	PARTS NAME	Q'TY
27		TAPER ROLLER BEARING	32008	1
28	HL- 4021	CONNECTING SLEEVE		1
29	HL- 4022	GEAR		1
30	HL- 4040	BUSHING		1
31	HL- 2037	LEVER BOSS		1
32		STEEL BALL	M8	1
33		SPRING	M8	1
34		SOCKET CAP SCREW	M10	1
35		OIL SEAL	TC25357	1
36		SOCKET CAP SCREW	M8	1
37	HL- 4041	SHAFT		1
38		KEY	8 x 7 x 65L	1
39		SNAP RING	S42	1
40		TAPER ROLLER BEARING	32008	1
41	HL- 2072	HANDLE		1
42	HL- 4024	COVER		1
43		SOCKET CAP SCREW	M8	4
44		SNAP RING	S40	1
45		MOTOR	1 / 8HP	1

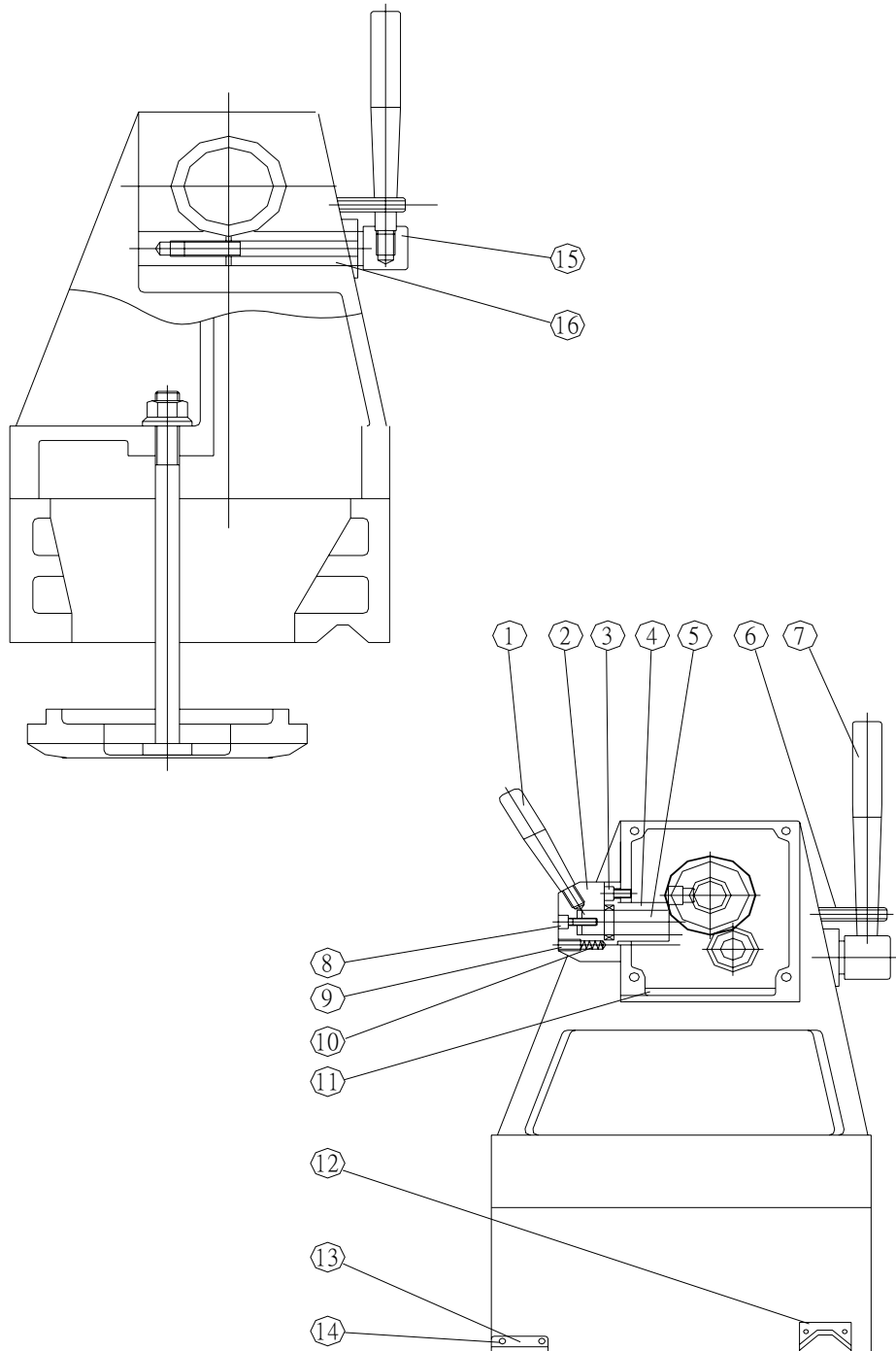
TAILSTOCK



TAILSTOCK				
REF NO.	PART NO.	DESCRIPTION	PARTS NAME	Q'TY
0 1		DEAD CENTER	MT#6	1
0 2		OIL SEAL	TC-10513013	1
0 3	HL- 7019	T-KEY		1
0 4		OILER	3 / 8"	1
0 5	HL- 7004	BARREL		1
0 6	HL- 7005	NUT		1
0 7		SOCKET CAP SCREW	M8	3
0 8	HL- 7009	LEADSCREW		1
0 9		THRUST BEARING	51106	2
1 0	HL- 7008	LEFT COVER		1
1 1		NUT	AN06	2
1 2		KEY	5 x 5 x 16L	1
1 3	HL- 7010	GEAR		1
1 4		KEY	5 x 5 x 50L	1
1 5	HL- 7012	GEAR		1
1 6		BEARING	6005RS	1
1 7	HL- 7011	SHAFT		1
1 8	HL- 7014	HAND WHEEL		1
1 9	HL- 5064	WASHER		1
2 0		SOCKET CAP SCREW	M8	1
2 1		SOCKET CAP SCREW	M8	4
2 2	HL- 7016	SHAFT		1
2 3	HL- 7017	GEAR		1
2 4	HL- 7007	COVER		1
2 5	HL- 7006	SPEED CHANGE GEAR BOX		1
2 6	HL- 7013	BRACKET		1

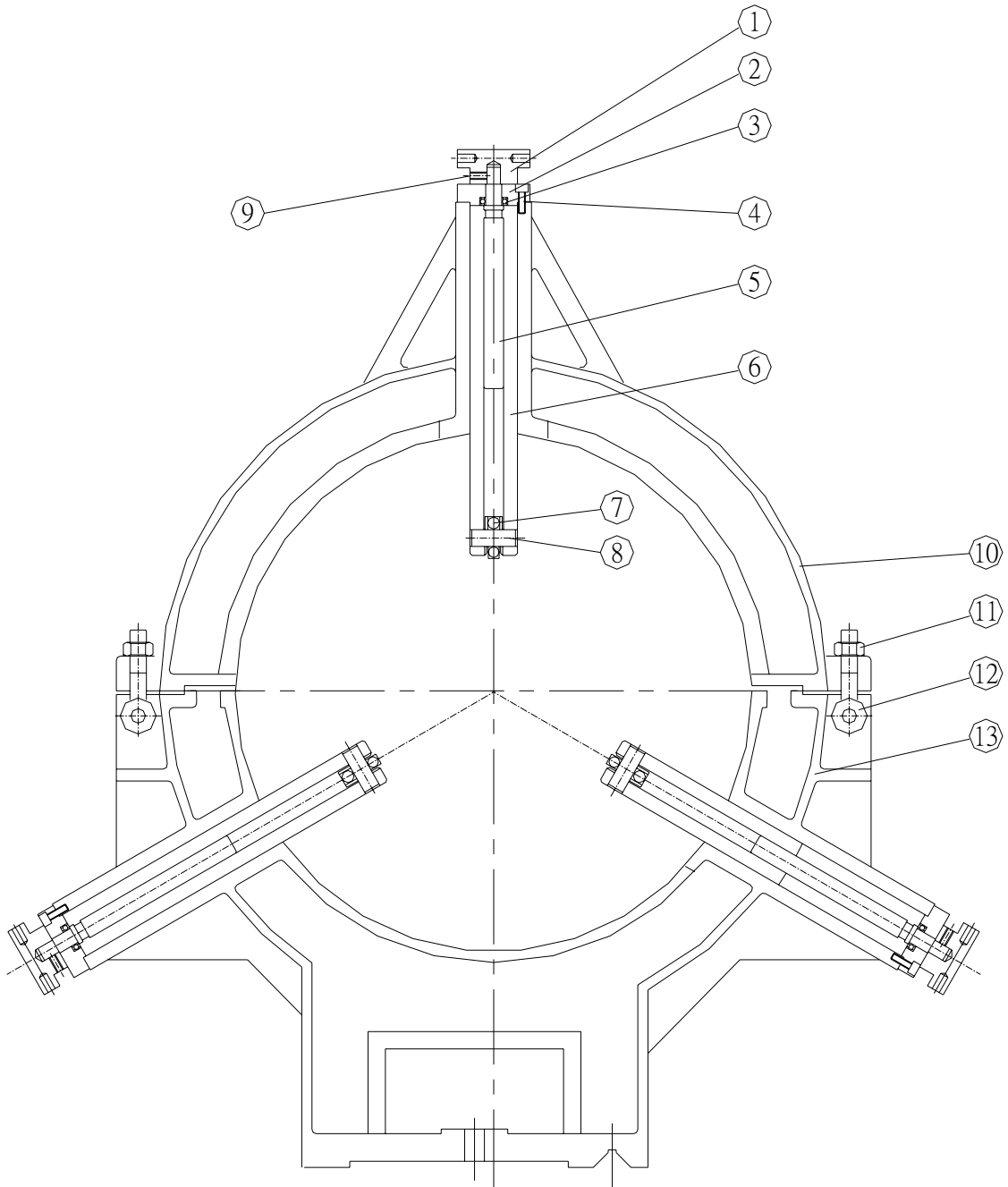
TAILSTOCK				
REF NO.	PART NO.	DESCRIPTION	PARTS NAME	Q'TY
27		SOCKET CAP SCREW	M8	2
28		SET SCREW	M10	1
29	HL- 7015	GRADUATION DIAL		1
30		KEY	5 x 5 x 25L	1
31		HANDLE		1
32	HL- 7026	NUT		2
33	HL- 7025	BOLT		2
34	HL- 7024	CLAMPING PLATE		2
35		SET SCREW	M16	1
36	HL- 7003	GIB		1
37	HL- 7002	TAILSTOCK BASE		1
38	HL- 7001	CASTING		1
39	HL- 7029	BRACKET		1
40	HL- 7032	PIN		1
41	HL- 7030	BRACKET		1
42	HL- 7031	GEAR SHAFT		1
43	HL- 7033	LEVER		1

TAILSTOCK : CONTROLS



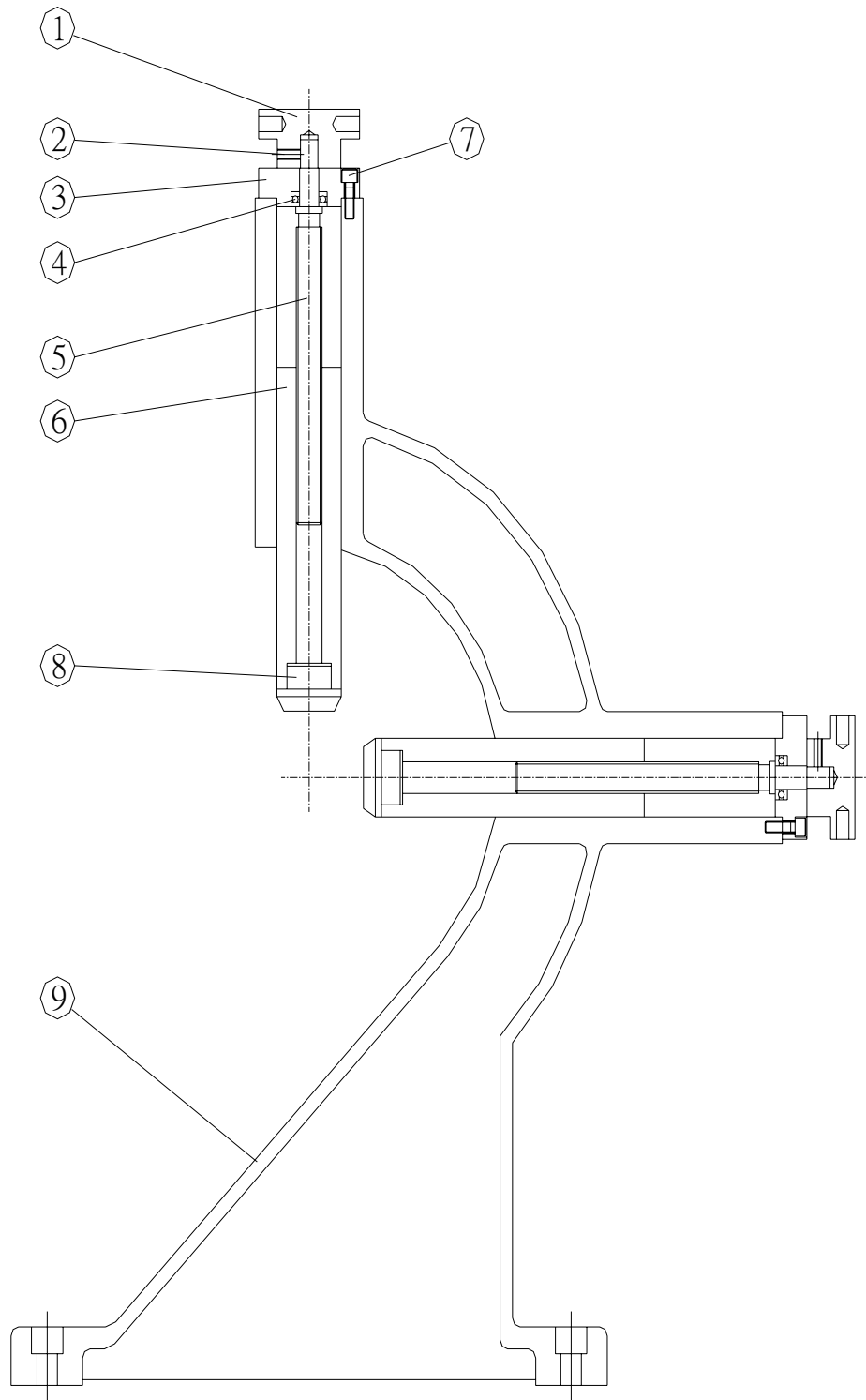
TAILSTOCK				
REF NO.	PART NO.	DESCRIPTION	PARTS NAME	Q'TY
0 1	HL- 2056	HANDLE		1
0 2	HL- 2073	LEVER BOSS		1
0 3		SOCKET CAP SCREW	M8	2
0 4	HL- 2074	BUSHING		1
0 5	HL- 7018	LEVER		1
0 6	HL- 7023	SCREW		1
0 7	HL- 7022	HANDLE		1
0 8		SOCKET CAP SCREW	M8	1
0 9		SET SCREW	M10	1
1 0		STEEL BALL	ø8	1
1 1	HL- 7007	COVER		1
1 2	HL- 7028	REAR WIPER		2
1 3	HL- 7027	FRONT WIPER		2
1 4		ROUND CAP SCREW	M5	8
1 5	HL-7021	STUD		1
1 6	HL- 7020	BUSHING & NUT		1

STEADY REST



STEADY REST				
REF NO.	PART NO.	DESCRIPTION	PARTS NAME	Q'TY
0 1	HL- 8003	HANDLE		3
0 2	HL- 8004	COVER		3
0 3		BEARING	51103	3
0 4		SOCKET CAP SCREW	M8	9
0 5	HL- 8005	ADJUSTMENT SCREW		3
0 6	HL- 8006	SHAFT		3
0 7		BEARING		3
0 8	HL- 8007	SHAFT		3
0 9		SET SCREW	M8	3
1 0	HL- 8001	TOP CASTING		1
1 1		NUT		2
1 2	HL- 8009	BOLT		2
1 3	HL- 8002	BOTTOM CASTING		1

FOLLOW REST



FOLLOW REST				
REF NO.	PART NO.	DESCRIPTION	PARTS NAME	Q'TY
01	HL- 8003	HANDLE		2
02		SET SCREW		2
03	HL- 8004	COVER		2
04		BEARING	51103	2
05	HL- 8005	ADJUSTMENT SCREW		2
06	HL- 8102	SHAFT		2
07		SCREW		6
08	HL- 8103	BRASS TIP		2
09	HL- 8101	FOLLOW REST CASTING		1

Electric Circuit, Diagram
&
Breakdown of Electrical
Components

ELECTRIC DRAWING

