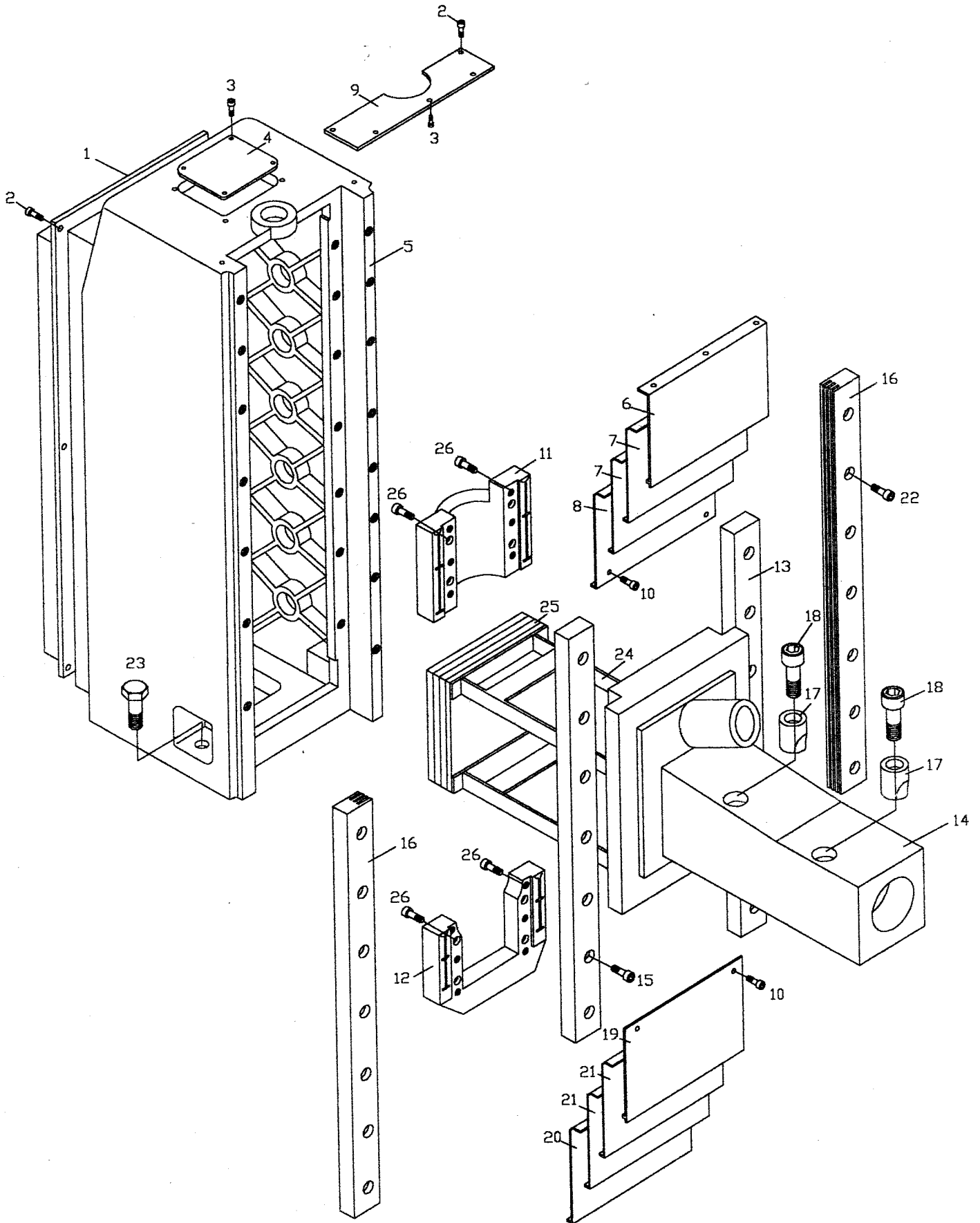


Complete Knockdown Drawing & Parts List

Up Column Ass'y.....	50
Spindle Set Ass'y.....	52
Upper&Lower Drive Ass'y (I).....	54
Upper&Lower Drive Ass'y (II).....	56
Cross-Feed Ass'y.....	58
Cylinder Set Ass'y.....	61
Parallel Dresser Ass'y.....	63

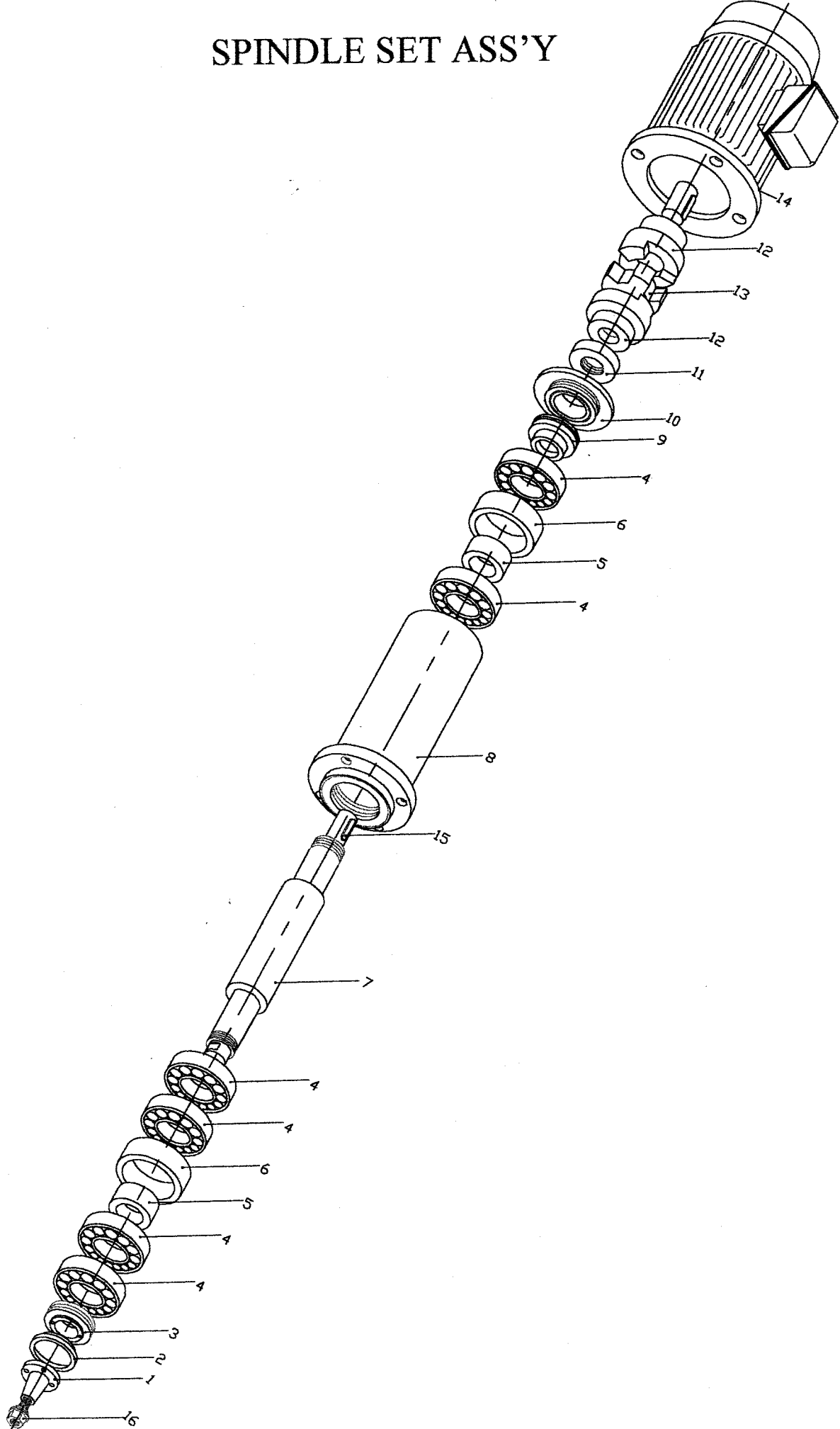
UP COLUMN ASS'Y



UP COLUMN ASS'Y
(2040,2060SERIES)

Index No.	Parts No.	Parts Name	Q'ty
1.	2040-303A	Column Rear Cover	1
2.	W 1/4"*3/4" L	Round Head Screw	8
3.	W 3/16"*3/4" L	Round Head Screw	7
4.	2040-304	Column Upper Cover	1
5.	2040-201	Column	1
6.	2040-306	Dust Shield	1
7.	2040-307	Dust Shield	2
8.	2040-308	Dust Shield	1
9.	2040-305	Dust Shield Fixed Plate	1
10.	W 3/16"*3/4" L	Flat Head Machine Screw	4
11.	2040-203A	Head B (Upper)	1
12.	2040-203B	Head B (Lower)	1
13.	2040-301	Vertical Slide Way	2
14.	2040-202	Head A(Spindle Seat)	1
15.	W 3/8"*1 1/4" L	Socket Head Cap Screw	18
16.	2040-302	Shield Guide	2
17.	2040-312	Spindle Stopper	2
18.	W 3/4"*2 1/2" L	Socket Head Cap Screw	2
19.	2040-309	Dust Shield	1
20.	2040-311	Dust Shield	1
21.	2040-310	Dust Shield	2
22.	W 1/4"*1" L	Socket Head Cap Screw	12
23.	W 1"*2 1/2" L	Hexagonal Head Cap Screw	5
24.	2040-205	Frame Of Balance Weight	1
25.	2040-206	Balance Weight	3
26.	W 5/8"*1 3/4" L	Socket Head Cap Screw	20

SPINDLE SET ASS'Y

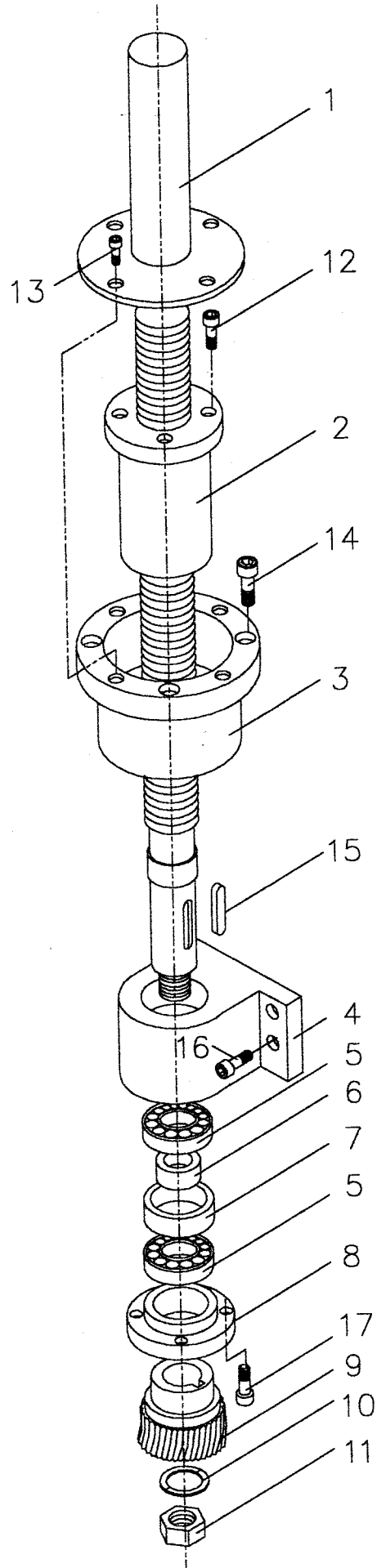


SPINDLE SET ASS'Y

(2040,2060 SERIES)

Index No.	Parts No.	Parts Name	Q'ty
1.	2040-107	Spindle Cover (Front)	1
2.	2040-105	Spindle Cover (Front)	1
3.	2040-106	Cover Nut (Front)	1
4.	B7210 P4	Bearing	6
5.	2040-108	Spacer (Inside)	2
6.	2040-109	Spacer (Outside)	2
7.	2040-104	Spindle Shaft	1
8.	2040-103	Spindle Housing	1
9.	2040-110	Spindle Cover (Rear)	1
10.	2040-112	Spindle Cover (Rear)	1
11.	2040-111	Cover Nut (Rear)	1
12.	1632-111	Spindle Nut (Rear)	1
13.	1632-113	Rubber Coupling	2
14.	10HP*4P	Spindle Motor	1
15.	10*8*35L	Key	1
16.	1632-120	Nut	1

UPPER & LOWER DRIVE ASS'Y (I)

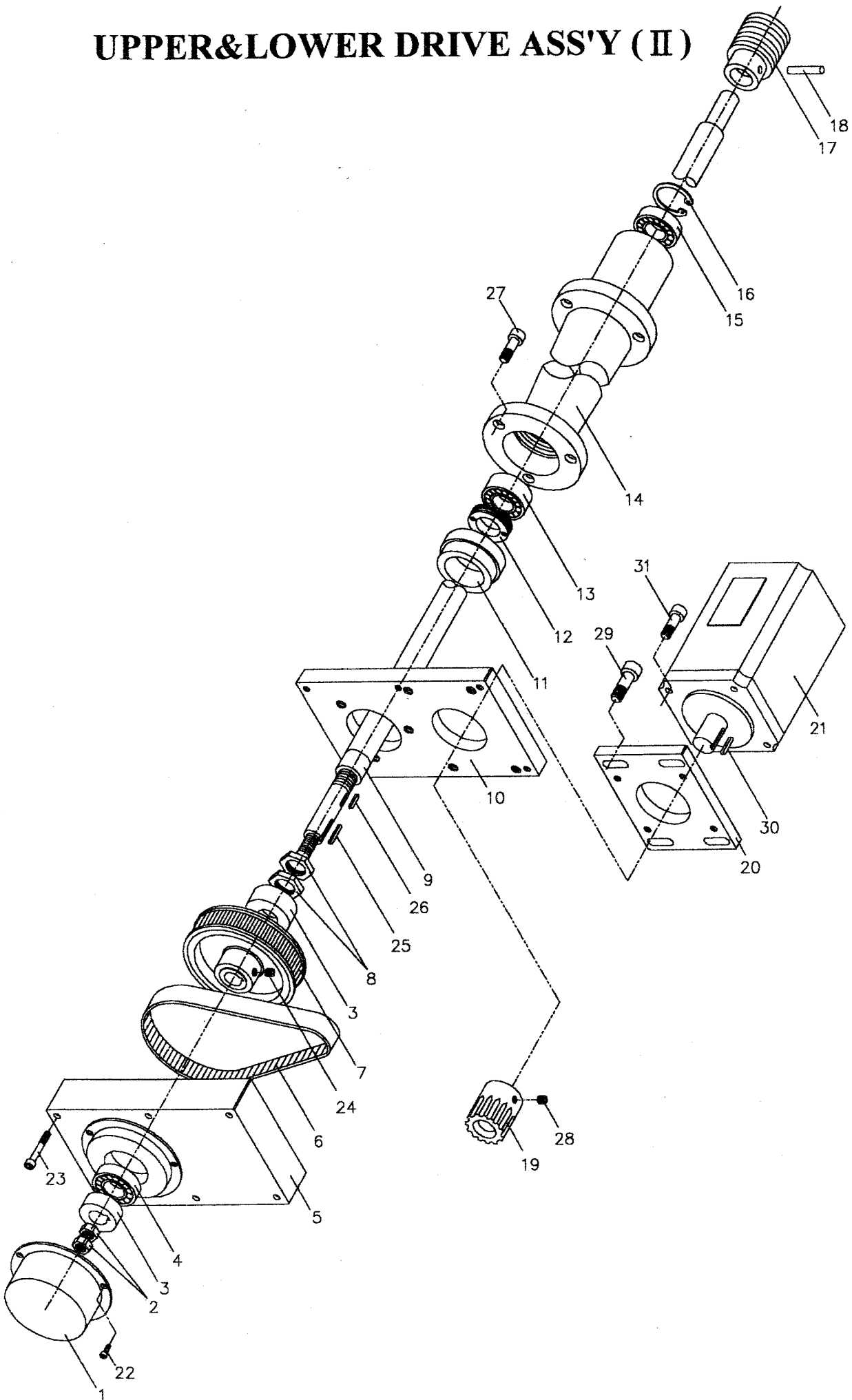


UPPER&LOWER DRIVE ASS'Y (I)

(2040,2060ND SERIES)

Index No.	Parts No.	Parts Name	Q'ty
1.	2040-204A	Worm	1
2.	2040-210A	Ball Screw With Nut	1
3.	2040-208B	Bearing Seat	1
4.	2040-214	Bearing Housing	1
5.	7205 P5	Bearing	2
6.	2040-215	Spacer	1
7.	2040-212	Spacer	1
8.	2448-434	Bearing Housing Cover	1
9.	2040-213	Worm Gear	1
10.	W3/4"	Spring Washer	1
11.	W3/4"	Hexagonal Nut	1
12.	W1/4" * 3/4" L	Socket Head Cap Screw	4
13.	W5/16" * 3/4" L	Socket Head Cap Screw	4
14.	W3/8" * 3/4" L	Socket Head Cap Screw	4
15.	7*7*25	Key	1
16.	W1/2" * 1 3/4" L	Socket Head Cap Screw	4
17.	W1/4" * 3/4" L	Socket Head Cap Screw	3

UPPER & LOWER DRIVE ASS'Y (II)

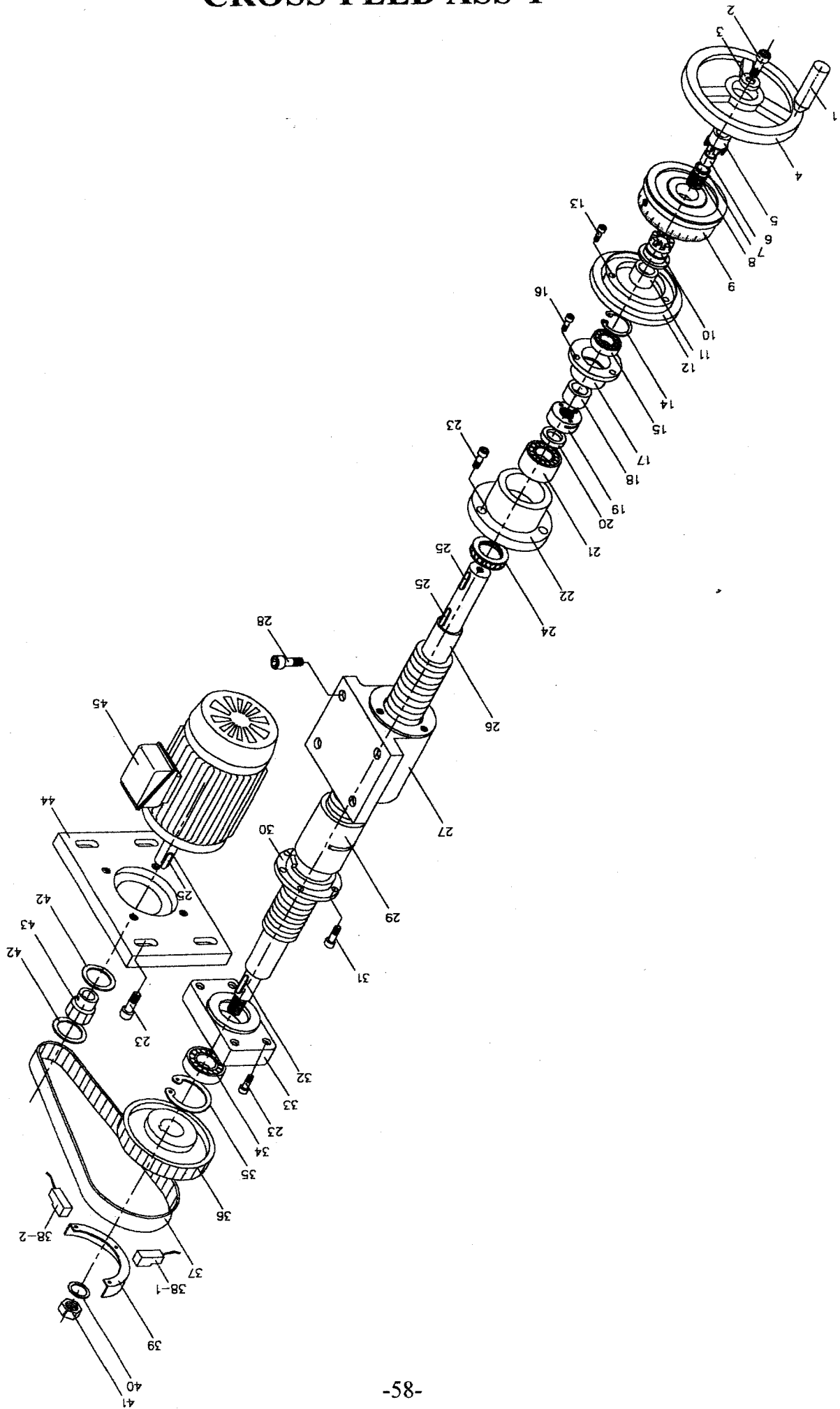


UPPER&LOWER DRIVE ASS'Y (II)

(2040,2060ND SERIES)

Index No.	Parts No.	Parts Name	Q'ty
1.	1020-550	Cover	1
2.	W1/4"	Nut	2
3.	1020-548	Spacer	2
4.	1303	Bearing	1
5.	1020-543	Fixed Cover	1
6.	P72-5M-15-6W 500L	Timing Belt	1
7.	1020-544	Timing Belt Pulley	1
8.	AN04	Bearing	2
9.	2040-217A	Transmission Shaft	1
10.	1020-542	Fixed Plate	1
11.	2040-231	Spacer	1
12.	2040-219	Nut	1
13.	5205	Bearing	1
14.	2040-218A	Shaft Housing	1
15.	2205	Bearing	1
16.	R52-1	Snap	1
17.	2040-216A	Worm Shaft	1
18.	Ø6*40	Pin	1
19.	1020-546	Timing Belt Pinion	1
20.	1020-547	Servo Motor Plate	1
21.	BSM80B-2	Servo Motor	1
22.	W3/16" *1/4" L	Socket Head Cap Screw	3
23.	W1/4" *1 1/2" L	Socket Head Cap Screw	6
24.	W1/4"	Headless Screw	1
25.	5*5*15	Key	1
26.	5*5*20	Key	1
27.	W5/16" * 3/4" L	Socket Head Cap Screw	3
28.	W1/4"	Headless Screw	1
29.	W5/16" * 3/4" L	Socket Head Cap Screw	4
30.	6*6*25	Key	1
31.	W1/4" * 3/4" L	Socket Head Cap Screw	4

CROSS-FEED ASS'Y



CROSS-FEED ASS'Y
(2040,2060 SERIES)

2 Of 1

Index No.	Parts No.	Parts Name	Q'ty
1.	1020-728	Hand Grip	1
2.	W 1/4"*5/8"L	Socket Head Cap Screw	1
3.	2040-414	Washer	1
4.	1020-714	Hand Wheel	1
5.	1224-422A	Clutch B	1
6.	TA1715	Needle Bearing	1
7.	1020-639	Spacer	1
8.	1224-425	Spring Ring	1
9.	2040-404	Graduation Dial	1
10.	1224-424A	Clutch A	1
11.	2040-442	Washer	7
12.	2040-405	Dial Holder	1
13.	W 1/4"*1/2"L	Socket Head Cap Screw	7
14.	R 40	C Snap Ring	1
15.	B 2203	Bearing	15
16.	W 1/2"	Screw	1
17.	2040-440	Bearing Seat	1
18.	2040-442	Washer	1
19.	2448-432B	Lock Nut	1
20.	2040-409	Washer	1
21.	B5205	Bearing	1
22.	2448-435A	Bearing Housing	1
23.	W 3/8"*1"L	Socket Head Cap Screw	15
24.	51205	Bearing	1
25.	5*5*20L	Key	1
26.	2040-439	Cross Feed Leader Screw	1
27.	2040-478	Leader Screw Nut Base	1
28.	W 1/2"*1 3/4"L	Socket Head Cap Screw	4

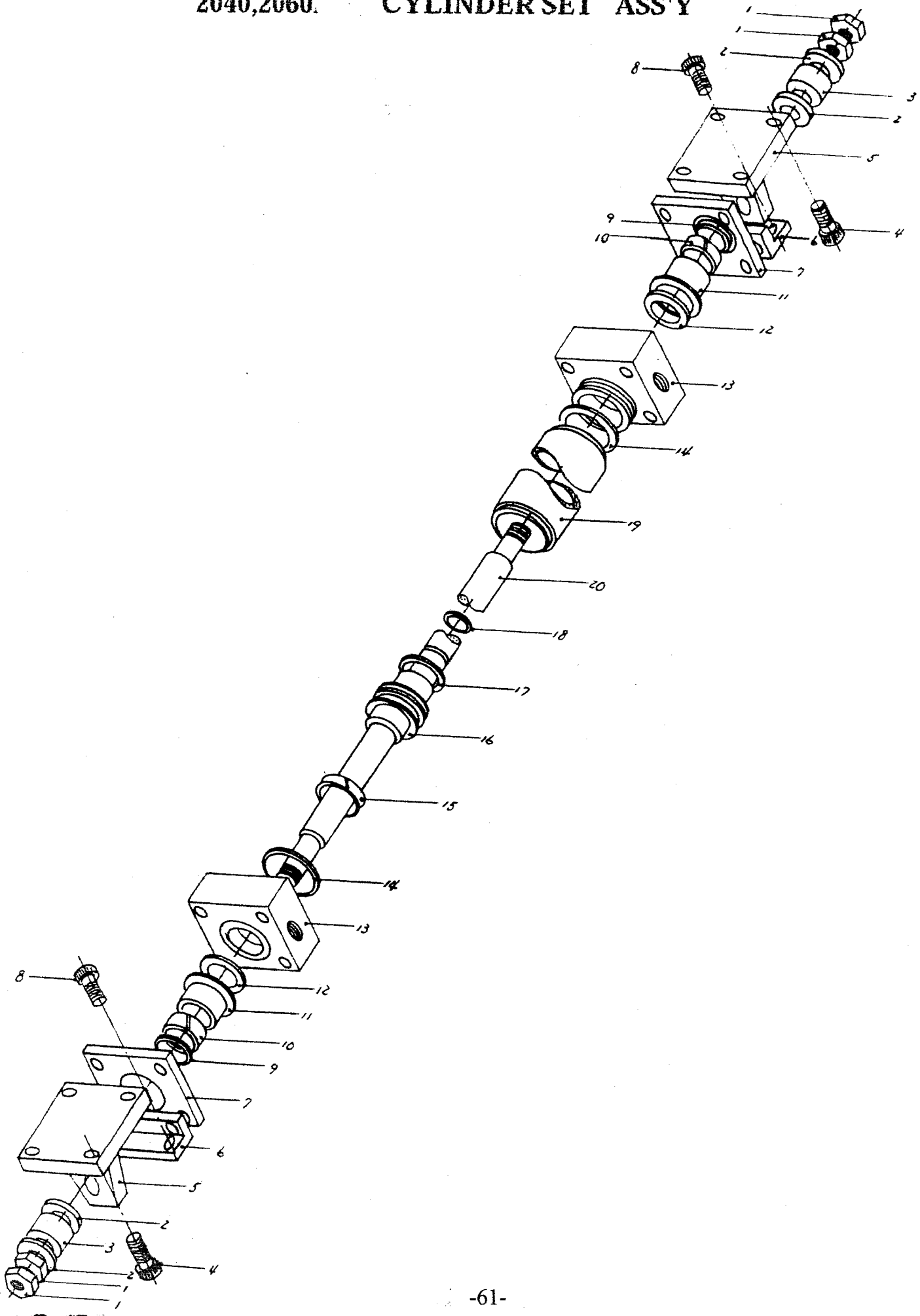
CROSS-FEED ASS'Y
(2040,2060 SERIES)

2 Of 2

Index No.	Parts No.	Parts Name	Q'ty
29.	2040-436	Nut Of Leader Screw	1
30.	2040-430	Backlash adjuster	1
31.	W 5/16"*1 1/4"L	Socket Head Cap Screw	6
32.	5*5*25L	Key	1
33.	2448-443	Bearing Housing	1
34.	B 1205Z	Bearing	1
35.	R-52	Snap Ring	1
36.	2040-411	Timing Belt Pulley(large)	1
37.	P 3/8"*330H	Timing Belt	1
38.	PS-05	Approximate Sensor	2
39.	2040-414	Inductive Ring	1
40.	W 1/2"	Washer	1
41.	W 1/2"	Hexagonal Nut	1
42.	2040-413	Timing Belt Pulley washer	2
43.	2040-412	Timing Belt Pulley(small)	1
44.	2448-447A	Cross Feed Motor Fixed Plate	1
45.	1/4 HP*6P	Cross Feed Motor	1

2040,2060.

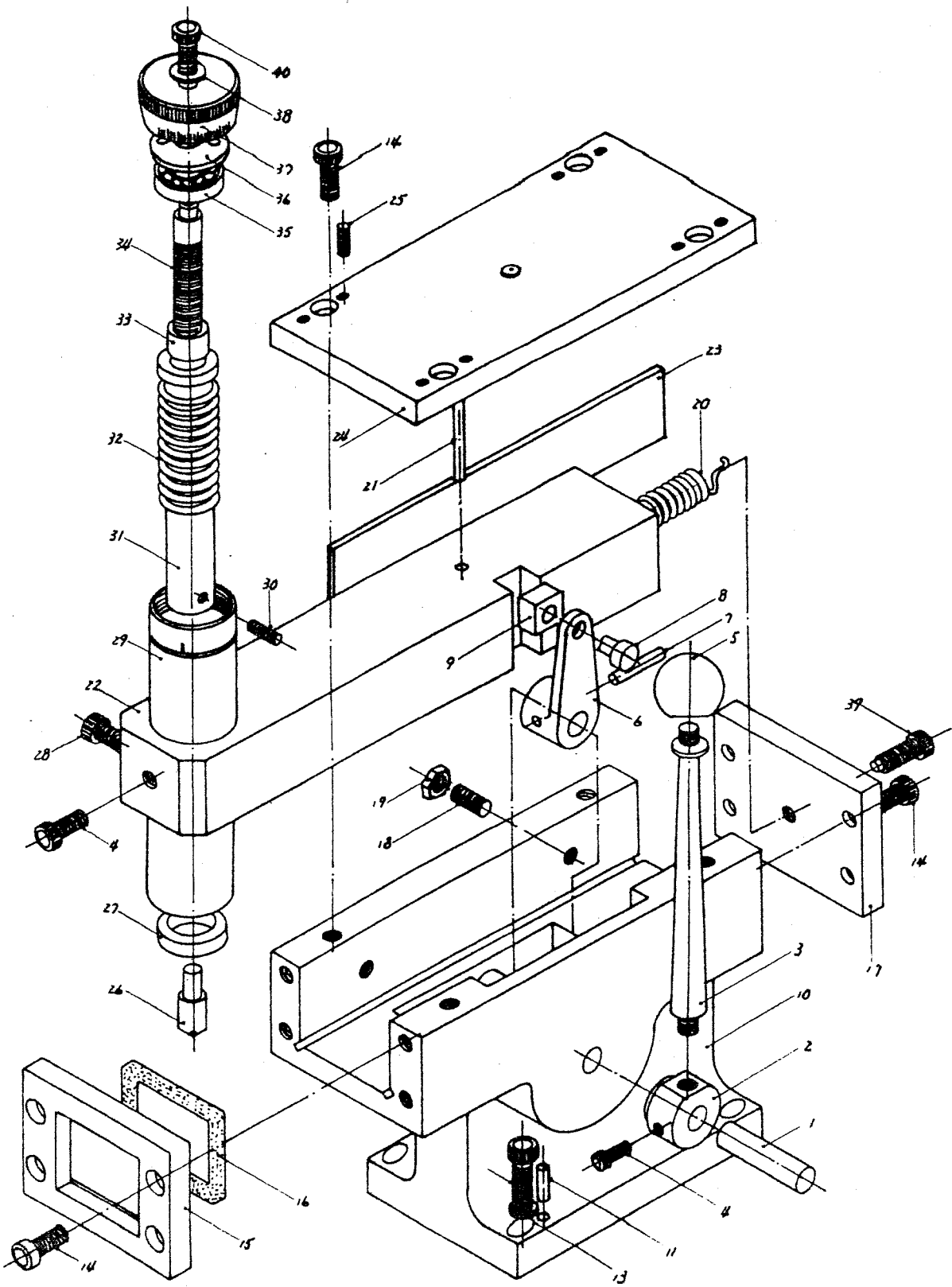
CYLINDER SET ASS'Y



CYLINDER SET ASS'Y
(2040,2060 SERIES)

Index No.	Parts No.	Parts Name	Q'ty
1.	W 3/4"	Hexagonal Nut	4
2.	2448-610	Washer	4
3.	2448-609	Rubber Pad	2
4.	W 1/2"*1 1/2"L	Socket Head Cap Screw	8
5.	2448-611	Cylinder Bracket	2
6.	2448-604	End Bracket	2
7.	2040-608	Cylinder Clamper	2
8.	W 1/2"*1"L	Socket Head Cap Screw	4
9.	LH 25	Dust Seal	2
10.	30*25*9.7	Slide Seal	2
11.	2040-606	Auxiliary	2
12.	USH 25	U Packing	2
13.	2040-602	End Cover	2
14.	G 40	O-Ring	2
15.	40*35*9.7	Slide Seal	1
16.	2040-605	Piston	1
17.	P 39	O-Ring	1
18.	P 21	O-Ring	1
19.	2040-601(for 2040 series)	Cylinder Pipe	1
	2060-601(for 2060 series)	Cylinder Pipe	1
20.	2040-603(for 2040 series)	Cylinder Rod	1
	2060-603(for 2060 series)	Cylinder Rod	1

2040,2060 SERIES PARALLEL DRESSER ASS'Y



PARALLEL DRESSER ASS'Y

(2040,2060SERIES)

Index No.	Parts No.	Parts Name	Qty
1.	2040-737	Shaft	1
2.	1020-738	Transmission Cap	1
3.	2040-739	Transmission Lever	1
4.	W 5/16"*1/2"L	Socket Head Cap Screw	2
5.	1020-740	Cap	1
6.	1020-741	Transmission Arm	1
7.	W 1/4"*3/8"L	Socket Head Cap Screw	1
8.	1020-742	Shaft	1
9.	1020-743	Slipper	1
10.	2040-730	Dresser Body	1
11.	W 1/4"*5/8"L	Set Screw	4
12.	W 5/16"*1"L	Socket Head Cap Screw	4
13.	W 5/16"	Spring Washer	4
14.	W 1/4"*1/2"L	Socket Head Cap Screw	13
15.	2040-733	Front Cover	1
16.	2040-735	Oil Immersed Pad	1
17.	2040-734	Rear Cover	1
18.	W 1/4"*1"L	Set Screw	3
19.	W 1/4"	Hexagonal Nut	3
20.	2040-744	Spring	1
21.	W 1/4"*1 1/2"L	Set Screw	1
22.	2040-731	Moving Body	1
23.	2040-736	Adjusting Plate	1
24.	2040-732	Top Cover	1
25.	W 3/16"*1/2"L	Set Screw	4
26.	2040-745	Diamond Cutter	1
27.	RE-20	U-Packing	1
28.	W 1/4"*1/2"L	Socket Head Cap Screw	1
29.	1020-746	Out-Holder	1
30.	W 3/16"*3/8"L	Socket Head Cap Screw	1
31.	1020-748	Moving Muff	1
32.	1020-749	Spring	1
33.	1020-750	Nut	1
34.	1020-751	Transmission Rod	1
35.	B6200Z	Bearing	1
35.	1020-752	Nut	1
37.	1020-753	Graduation Dial	1
38.	W 1/4"	Spring Washer	1
39.	W 1/4"*1/2"L	Socket Head Cap Screw	1