

22. Complete Knock-down Drawing & Parts List

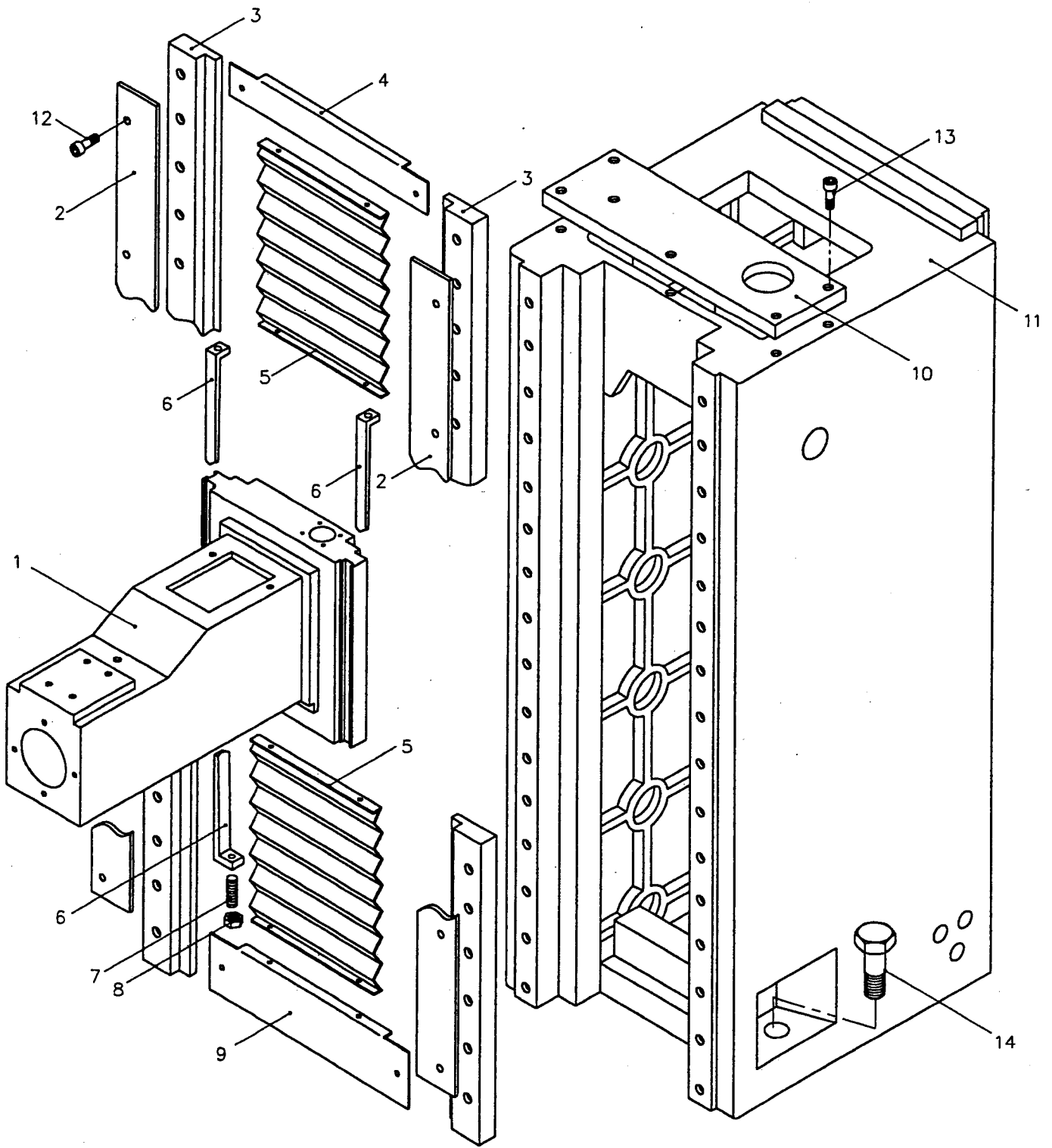
When ordering parts, please mention:

- 1. Machine model, Serial number**
- 2. Index number**
- 3. Parts number, and description**
- 4. Quantity**

Contents

Up Column Ass'y	47
Spindle Set Ass'y	49
Upper & Lower Drive Ass'y	51
Upper & Lower Transmission Ass'y	53
Crossfeed Ass'y	55
Cylinder Set Ass'y	57
Hydraulic Weight Balance Ass'y	59

UP-COLUMN ASS'Y (3468,3488 SERIES)

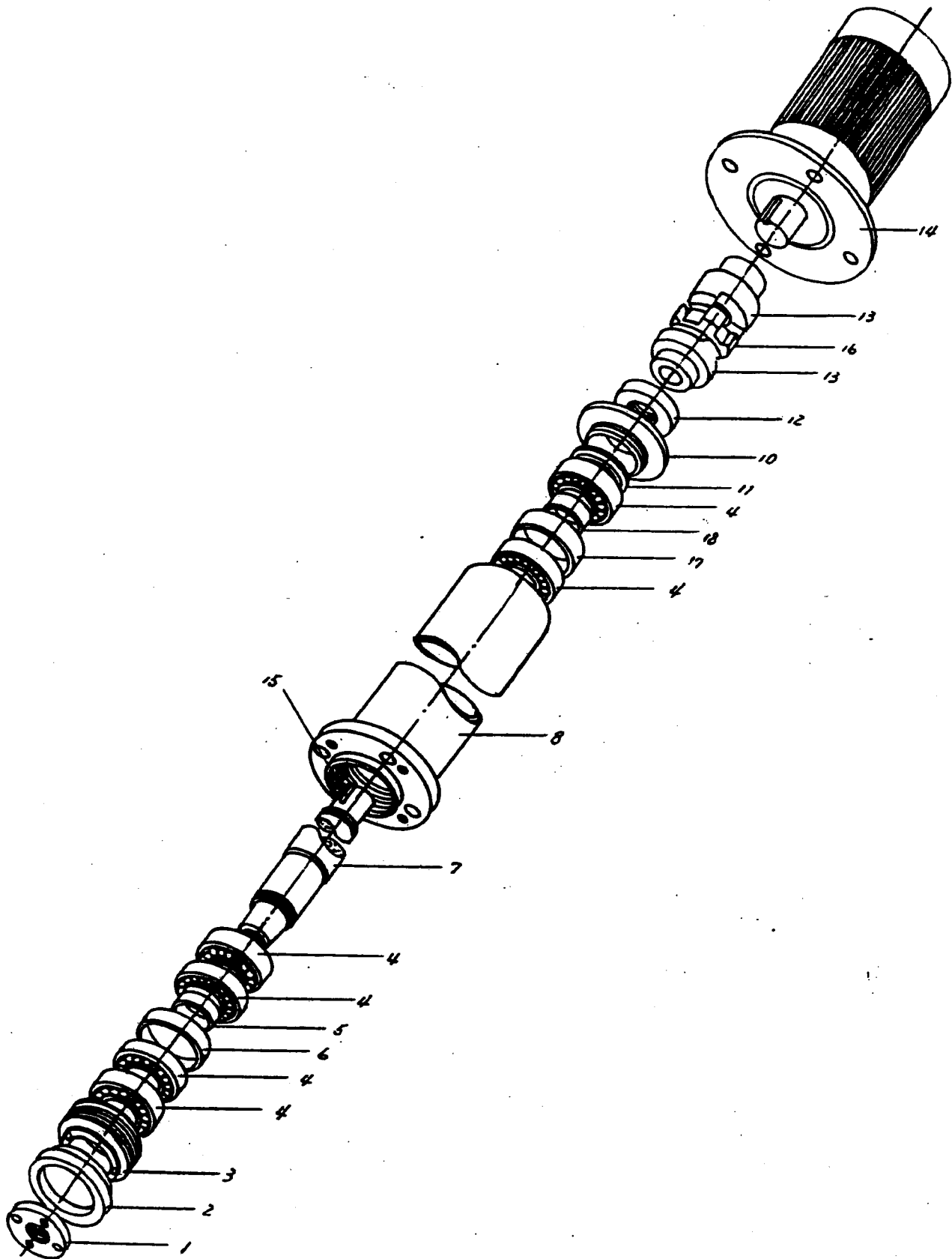


UP-COLUMN ASS'Y

(3468,3488 SERIES)

Index No.	Parts No.	Parts Name	Q'ty
1.	3468-202	Head A	1
2.	3468-368	Dust Bellows Batten	1
3.	3468-315	Slide Way Of Dust Bellows	1
4.	3468-366	Fixed Plate Of Dust Bellows(Up)	1
5.	3468-331	Dust Bellows	2
6.	2448-325A	Tapper Stick	3
7.	5/16"	Adjusting Screw	3
8.	5/16"	Nut	3
9.	3468-369	Fixed Plate Of Dust Bellows(Bot.)	1
10.	3468-314	Fixed Plate	1
11.	3468-201	Up-Column	1
12.	1/4"	Socket Head Cap Screw	5
13.	3/8"	Socket Head Cap Screw	7
14.	1"	Hexagonal Head Screw	5

Spindle Set Ass'y

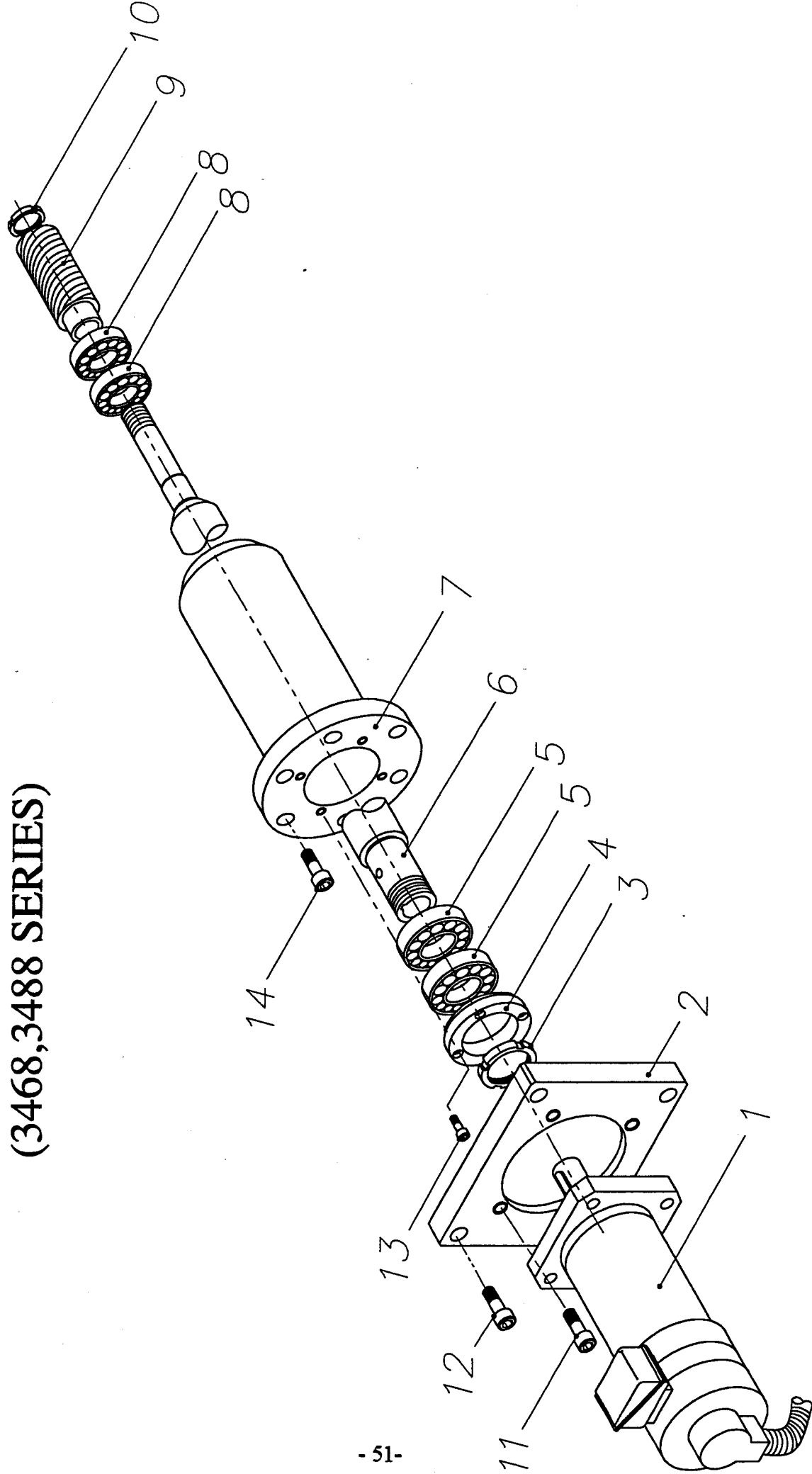


SPINDLE SET ASS'Y

(3468,3488 SERIES)

Index No.	Parts No.	Parts Name	Q'ty
1.	T1512-154	Spindle Nut (Front)	1
2.	T1512-153	Spindle Cover (Front)	1
3.	T1512-155	Cover Bush	1
4.	B7215 P4	Bearing	6
5.	T1512-156	Spacer (Inside)	1
6.	T1512-157	Spacer (Outside)	1
7.	3468-352	Spindle Shaft	1
8.	2448-351	Spindle Houshing	1
9.	-----	-----	--
10.	T1512-160	Spindle Cover (Rear)	1
11.	T1512-158	Cover Bush (Rear)	1
12.	T1512-159	Spindle Nut (Rear)	1
13.	MT-125	Coupling	2
14.	15HP*6P	Spindle Motor	1
15.	15*8*552	Key	1
16.	MT-125	Rubber Coupling	1
17.	T1512-162	Spacer (Outside)	1
18.	T1512-161	Spacer (Inside)	1

UPPER & LOWER DRIVE ASS'Y (3468, 3488 SERIES)

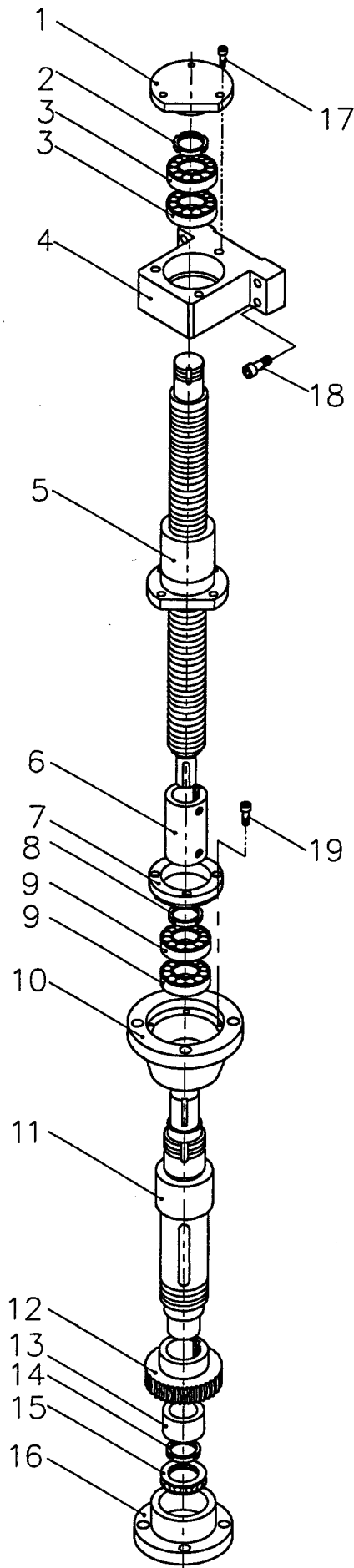


UPPER&LOWER DRIVE ASS'Y

(3468,3488 SERIES)

Index No.	Parts No.	Parts Name	Q'ty
1.	CN800T	Servo Motor	1
2.	3468-544	Bracket	1
3.	YSR M40×P1.5	Nut	1
4.	3468-545	Cover of bearing	1
5.	B7208	Bearing	2
6.	3468-541A	Transmission Shaft	1
7.	3468-543	Shaft Housing	1
8.	B7206	Bearing	2
9.	2448-218	Worm Shaft	1
10.	YSR M40×P1.5	Nut	1
11.	3/8"	Socket Head Cap Screw	4
12.	3/8"	Socket Head Cap Screw	4
13.	1/4"	Socket Head Cap Screw	4
14.	5/16"	Socket Head Cap Screw	6

UPPER & LOWER TRANSMISSION ASS'Y (3468, 3488 SERIES)



UPPER&LOWER TRANSMISSION ASS'Y

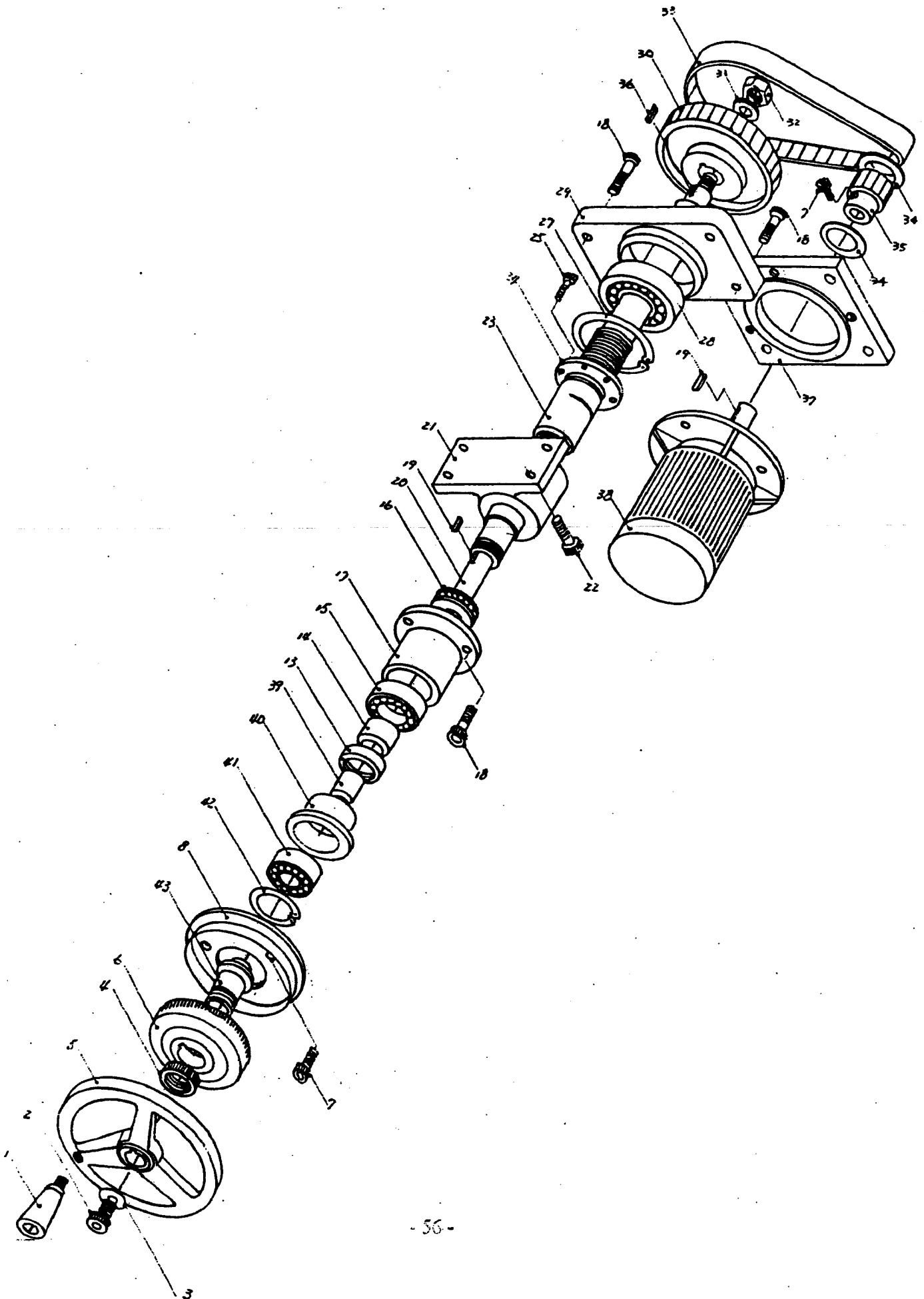
(3468,3488 SERIES)

Index No.	Parts No.	Parts Name	Q'ty
1.	1512-507	Bearing Cover	1
2.	YSR M40×P1.5	Nut	1
3.	B7208	Bearing	1
4.	3468-506	Bearing Base	1
5.	3468-238-1	Lead Ball Screw	1
6.	2448-240	Coupling	1
7.	2448-224	Bearing Cover	1
8.	YSR M30×P1.5	Nut	1
9.	B7206	Bearing	1
10.	2448-223	Bearing Base	1
11.	3468-221	Worm Shaft	1
12.	2448-222	Worm Gear	1
13.	3468-221-1	Spacer	1
14.	YSR M40×P1.5	Nut	1
15.	51306	Bearing	1
16.	2448-220	Bearing Cover	1
17.	5/16"	Screw	3
18.	3/8"	Screw	4
19.	1/4"	Screw	4

CROSS-FEED ASS'Y
(3468,3488 SERIES)

Index No.	Parts No.	Parts Name	Qty
1.	1020-728	Hand Grip	1
2.	W 1/4"*5/8"L	Socket Head Cap Screw	1
3.	2040-414	Washer	1
4.	2040-402	Nut	1
5.	1020-714	Hand Wheel	1
6.	2040-404	Graduation Dial	1
7.	W 1/4"*1/2"L	Socket Head Cap Screw	7
8.	2040-405	Dial Holder	1
13.	2448-432B	Lock Nut	1
14.	2040-409	Washer	1
15.	B5205	Bearing	1
17.	2448-435A	Bearing Housing	1
18.	W 3/8"*1"L	Socket Head Cap Screw	15
19.	5*5*20L	Key	1
20.	3468-439	Cross Feed Ball Screw	1
21.	2448-478	Ball Screw Nut Base	1
22.	W 1/2"*1 3/4"L	Socket Head Cap Screw	4
23.	2448-439-1	Cross Feed Nut Of Ball Screw	1
25.	W 5/16"*1 1/4"L	Socket Head Cap Screw	6
27.	R-52	Snap Ring	1
28.	B 1205Z	Bearing	1
29.	2448-443	Bearing Housing	1
30.	2040-411	Timing Belt Pulley	1
31.	W 1/2"	Washer	1
32.	W 1/2"	Hexagonal Nut	1
33.	P 3/8"*330H	Timing Belt	1
34.	2040-413	Timing Belt Pulley Flange	2
35.	2040-412	Timing Belt Pulley	1
36.	5*5*25L	Key	1
37.	2448-447A	Cross Feed Motor Fixed Plate	1
38.	1/4 HP*6P	Cross Feed Motor	1
39.	2040-442	Washer	1
40.	2040-440	Bearing Seat	1
41.	B 2203	Bearing	1
42.	R 40	Snap Ring	1
43.	2040-441	Set Spacer	1

Cross Feed Ass'y

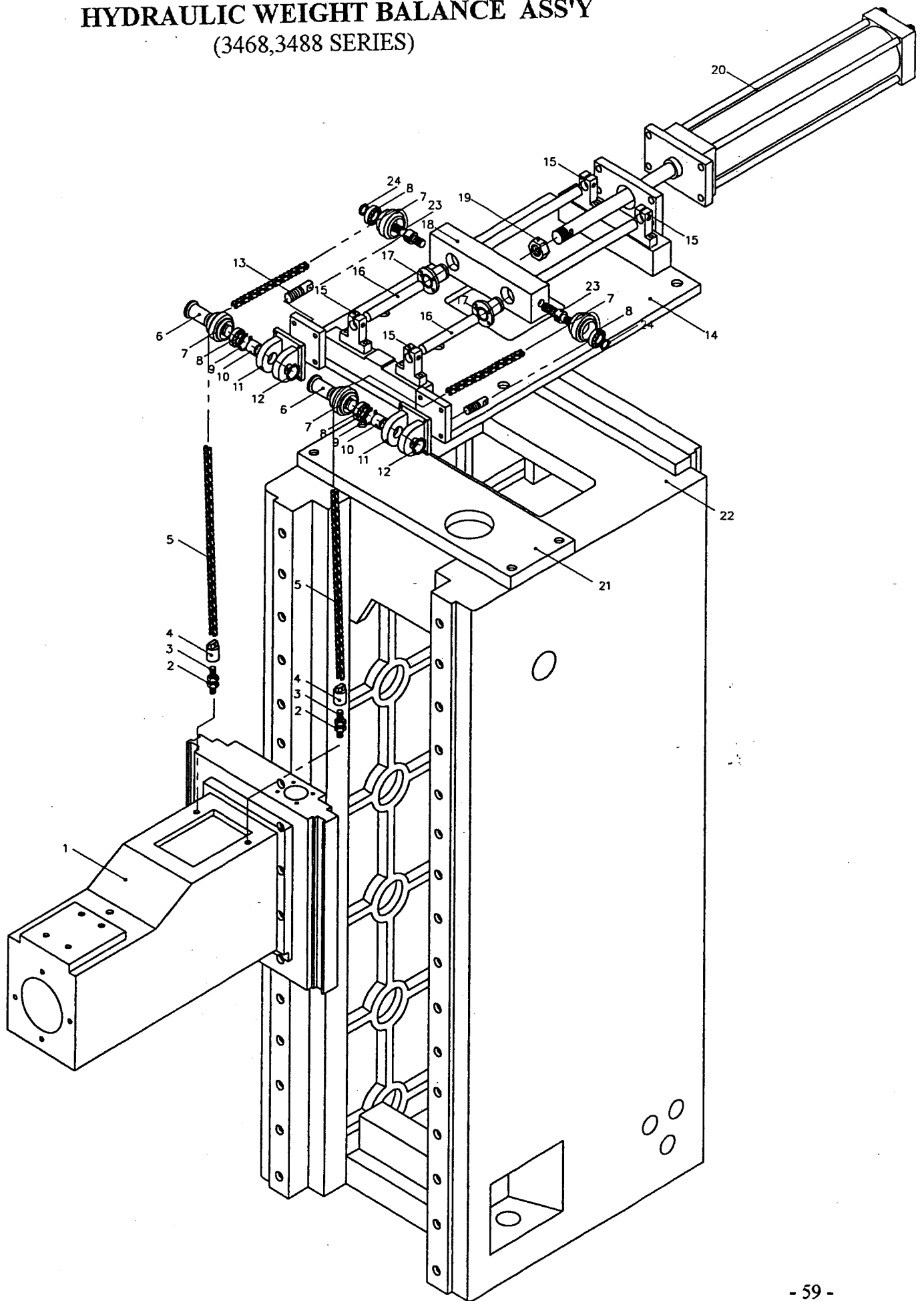


CYLINDER SET ASS'Y

(3468,3488 SERIES)

Index No.	Parts No.	Parts Name	Q'ty
1.	3468-331	Cylinder Rod	2
2.	LBH 40*48*5*6.5	Dust Seal	2
3.	40*45*1.5	Wear Ring	2
4.	3468-329	Cover	2
5.	USH 40*50*6	U-Packing	2
6.	OSR 40	Packing	2
7.	3468-332	End Cover	2
8.	G 65	O Ring	2
9.	3468-333	Lock Nut	2
10.	USH 60*70*6	U-Packing	2
11.	60*55*15	Wear Ring	2
12.	OSP70	Packing	1
13.	3468-335	Piston	1
14.	3468-334	Cylinder Pipe	1

HYDRAULIC WEIGHT BALANCE ASS'Y (3468,3488 SERIES)



HYDRAULIC WEIGHT BALANCE ASS'Y (3468,3488 SERIES)

Index No.	Parts No.	Parts Name	Q'ty
1.	3468-202	Head A	1
2.	5/8"	Nut	1
3.	2448-346	Adjust Screw	1
4.	2448-345	Connector Of Chain	1
5.	CP 5/8	Chain	1
6.	2448-348	Shaft Of Chain Wheel	1
7.	2448-349	Chain Wheel	1
8.	6003ZZ	Bearing	1
9.	R35	Inner Snap Ring	1
10.	2448-350	Spacer	1
11.	2448-341	Base Of Chain Wheel	2
12.	S17	Outer Snap Ring	1
13.	2448-347	Connector Of Chain	1
14.	3468-370	Base Of Balance Structure	1
15.	SS30	Holder Of Shaft	1
16.	SF30	Shaft	1
17.	LF30-N-TYPE	Linear Bearing Of Flange Type	1
18.	3468-371	Connect Plate	1
19.	M20*P1.5	Nut	1
20.	FA50B*425	Cylinder	4
21.	3468-314	Fasten Plate	4
22.	3468-201	Up Column	1
23.	2448-372	Shaft Of Chain Wheel	4
24.	YSRM17*P1	Nut	1