
.EC MACHINERY DIRECTIVE 89/392/EEC
PARTS LIST

PRESERVE THIS MANUAL FOR
FUTURE REFERENCE AND USE

MACHINE NAME: HORIZONTAL SURFACE GRINDING MACHINE

BRAND: ACER

MODEL: 1428PD, 1436PD
1632PD, 1640PD

MANUFACTURE: YA-GIN MACHINE TOOL
MANUFACTURING INC.

ADDRESS: NO. 101, LANE 506, SEN-TSO RD., SENG-KARNG
DISTRICT, TAICHUNG CITY, TAIWAN

TELEPHONE: 886-4-2520-4120

FAX.: 886-4-2520-4123

INTERNET: www.aceronline.net
www.acerlinks.com

E-mail: info@aceronline.net
info@acerlinks.com

CONTENT

1	:SPINDLE	PL-01
2	:COLUMN	PL-02
3	:SPINDLE MOTOR	PL-03
4	:WHEEL GUARD & WHEEL FLANGE	PL-04
5	:DUST GUARD & WATER PIPE SYSTEM	PL-05
6	:SADDLE CROSSWISE DRIVE	PL-06
7	:TABLE LONGITUDINAL DRIVE.....	PL-07
8	:VERTICAL FEED	PL-08
9	:LIFTING STRUCTURE(1428,1436,1632)	PL-09
10	:LONGITUDINAL HYDRAULIC SYSTEM	PL-10
11	:TABLE REVERSING MECHANISM	PL-11
12	:HYDRAULIC SYSTEM	PL-12
13	:CHUCK & SPLASH GUARD.....	PL-13
14	:ELECTRICAL AND CONTROL BOX	PL-14
15	:LUBRICATION SYSTEM	PL-15

※ Following parts list are for many kinds of models. As there are several different specification of parts depends on different orders, please check carefully before placing any order. And you shall be able to contact local distributor for correct parts by this way. Thank you your attention to the above.

Approved by:

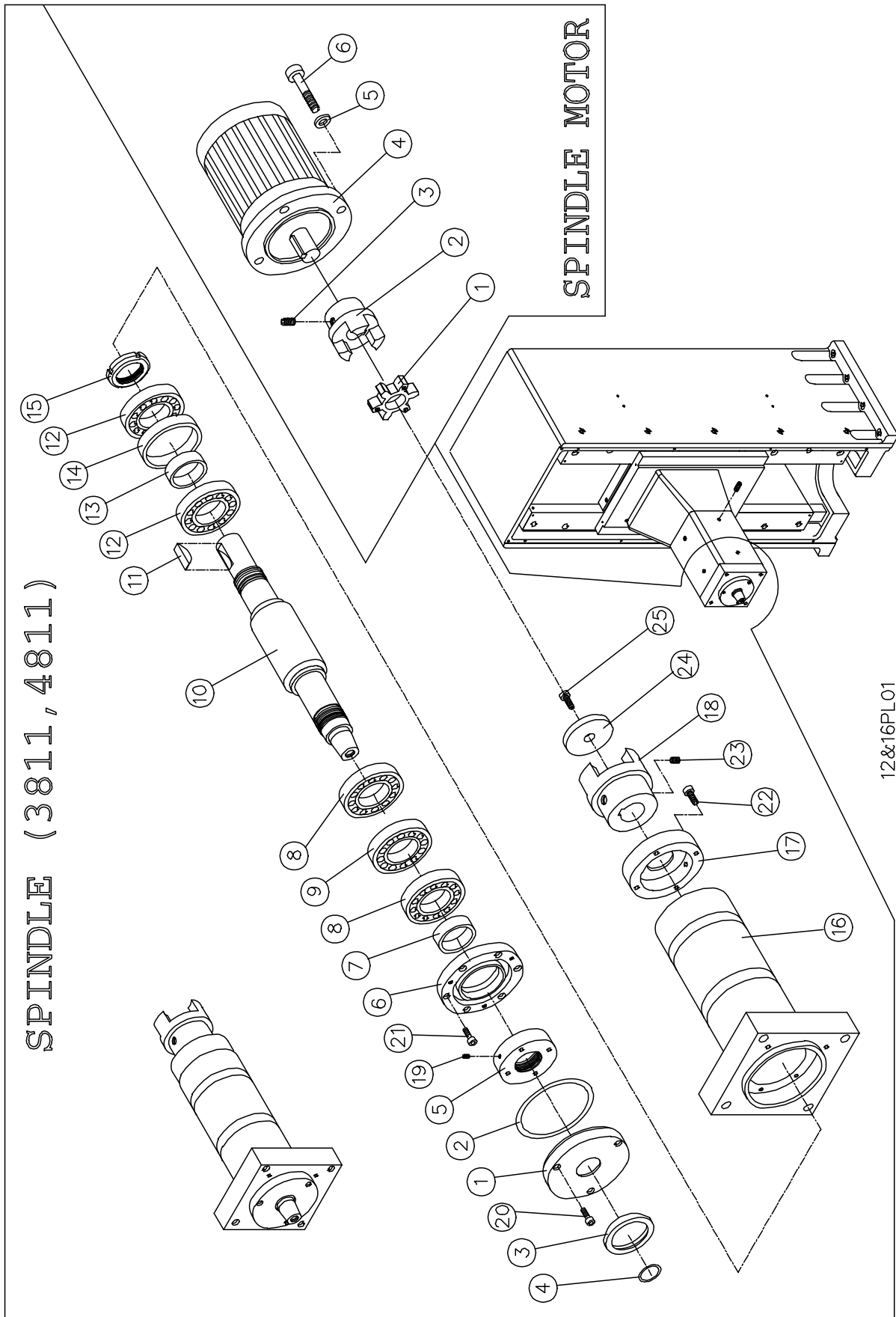
Checked by:

Prepared by:

VERSION: 1

Date:

SPINDLE



SPINDLE (3811/14) (4811/16)

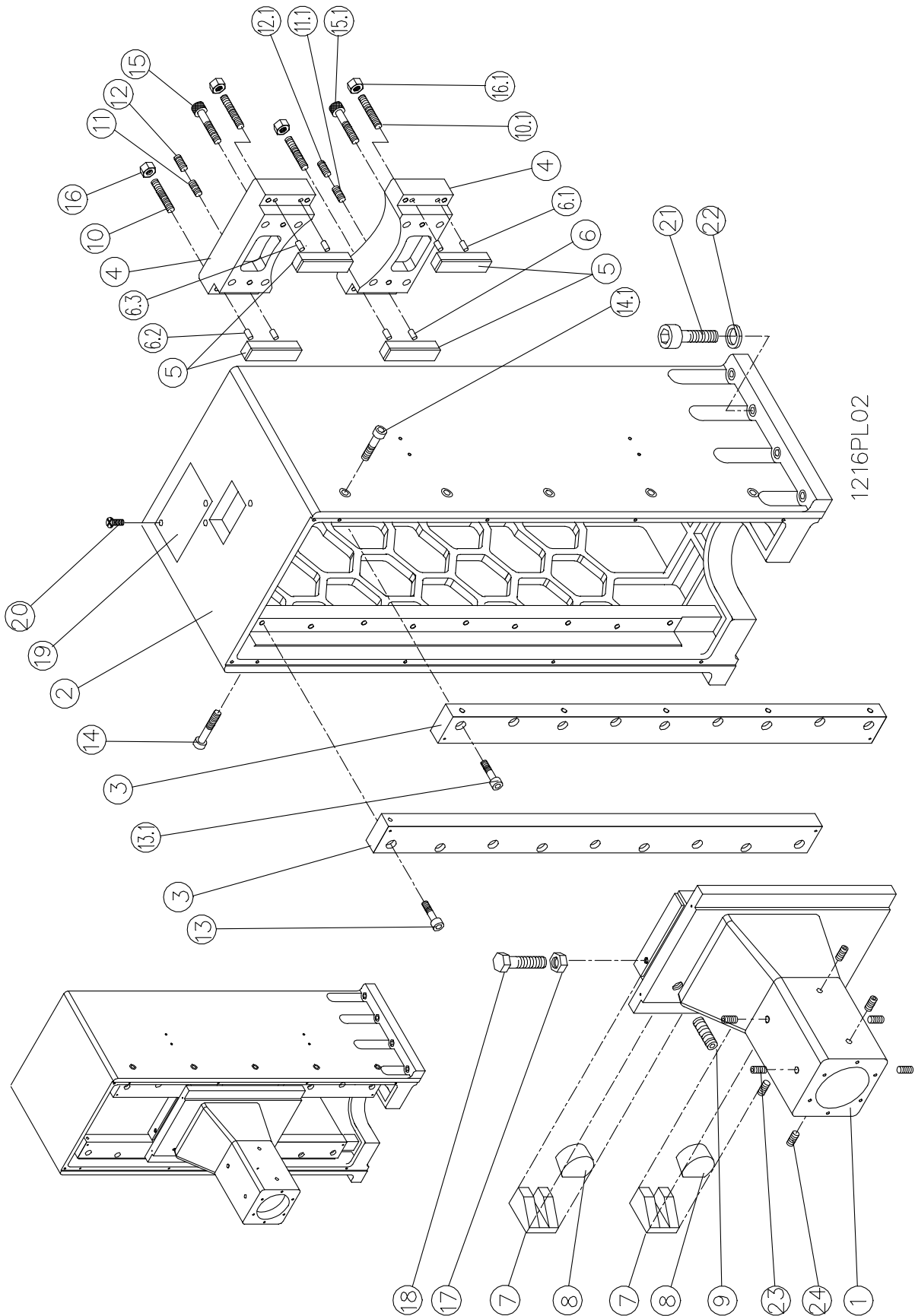
NO.	PART NO.	DESCRIPTION	Q'TY	SPEC.
1.	3500056015	FRONT DUST GUARD	1	
2.		O-RING	1	P120
3.	3520068005	WATER PIPE	1	
4.		O-RING	1	P45
5.	2630052005	SPINDLE FRONT NUT	1	
6.	0640021005	FRONT BEARING PRESSING PLATE	1	
7.	1460009005	SPACR RING	1	
8.		BEARING	2	7210 P4
9.		BEARING	1	NU210WCCP6
10.	1050010005	SPINDLE	1	(3811/12)
	1050018005	SPINDLE	1	(4811/16)
11.		SETTING KEY	2	R16x10L
12.		BEARING	2	7210 P5
13.	1440030005	INNER SPACER RING	1	
14.	1440032005	REAR BRARING OUTER SPACER RING	1	
15.	2630053005	SPINDLE REAR NUT	2	AN16
16.	1430048005	SPINDLE SLEEVE	1	(3811/12)
	1430051005	SPINDLE SLEEVE	1	(4811/16)
17.	3500026005	REAR DUST GUARD	1	
18.	2770004005	SPINDLE COUPLING	1	
19.		HEADLESS SCREW	2	M6x8L
20.		SOCK HEAD CAP SCREW	3	M6x25L
21.		SOCK HEAD CAP SCREW	6	M6x25L
22.		SOCK HEAD CAP SCREW	4	M6x30L
23.		HEADLESS SCREW	2	M8x10L
24.	2410054005	WASHER	1	
25.		SOCK HEAD CAP SCREW	1	M12x30L

SPINDLE MOTOR

STANDARD 5HP xxx/xxx V

NO.	PART NO.	DESCRIPTION	Q'TY	SPEC.
1.	2760008005	RUBBER COUPLING	1	
2.	2770029005	MOTOR COUPLING	1	
3.		HEADLESS SCREW	2	M8*10L
4.	5HP4PXXX/XXXV	SPINDLE MOTOR	1	5HP
5.		SPRING WASHER	4	ϕ 12
6.		SOCK HEAD CAP SCREW	4	M12x40L

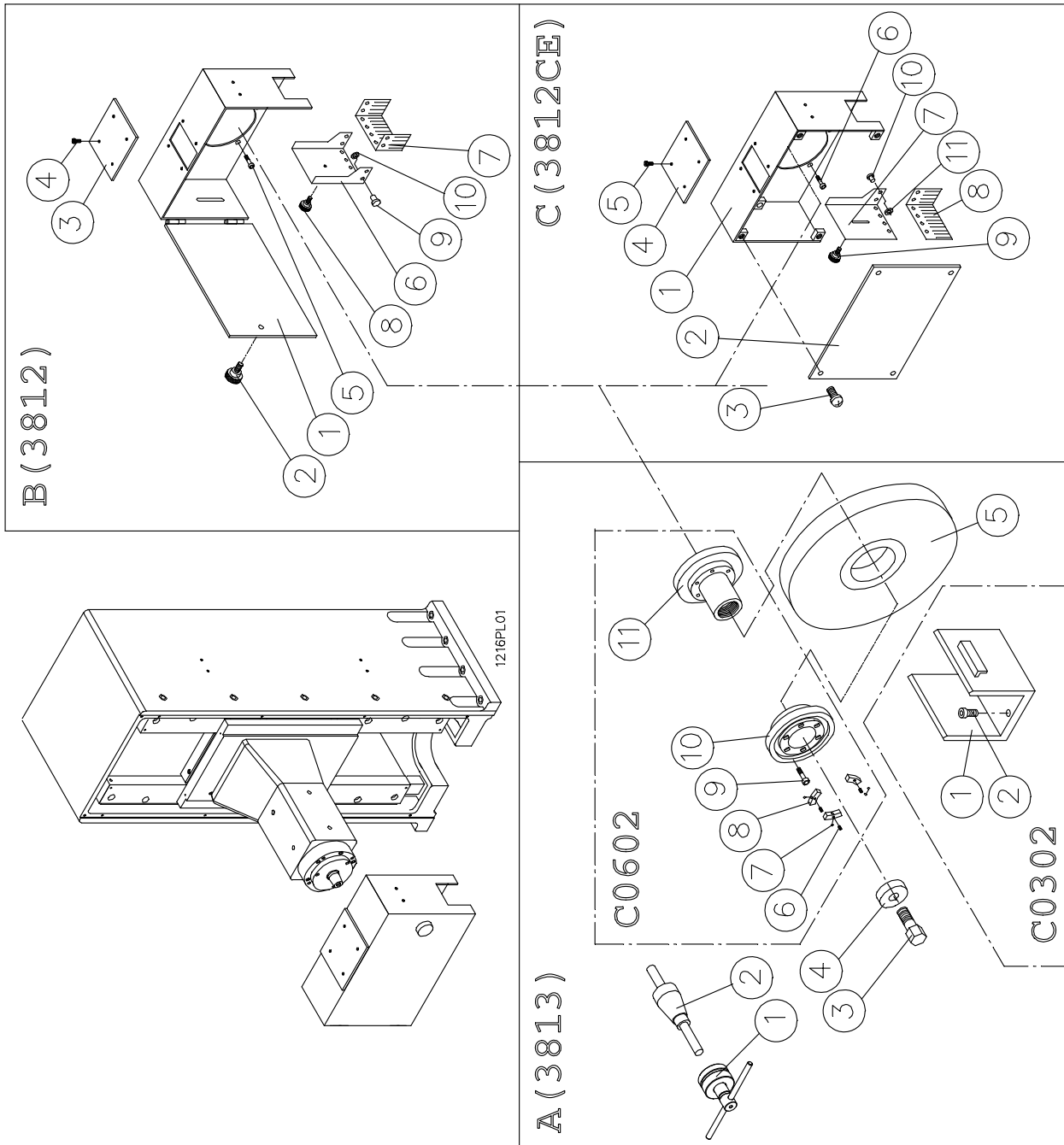
COLUMN (3821,3821H/14SERIES,4821,4821H/16SERIES)



COLUMN (3821,3821H/14, 16SERIES)
(3821, 4821 STANDARD COLUMN/3821H, 4821H HIGH COLUMN)

NO.	PART NO.	DESCRIPTION	Q'TY	SPEC.
1.	0106010005	SPINDLE SEAT	1	
	0106017005	SPINDLE SEAT	1	(4821)
2.	0206010005	STANDARD COLUMN	1	(3821)
	0206011005	HIGH COLUMN	1	(3821H)
3.	2260028005	STANDARD COLUMN RAIL	2	(3821)
	2260028005	HIGH COLUMN RAIL	2	(3821H)
4.	0640002005	SPINDLE SEAT 'S PRESSING PLATE	2	
5.	2890006005	VERTICAL BACK SLIDE PLATE	4	
6.		DOWEL PIN	2	D8x20L
6.1		DOWEL PIN	2	D8x20L
6.2		DOWEL PIN	2	D8x20L
6.3		DOWEL PIN	2	D8x20L
7.	2420034005	VERTICAL SLIDE PLATE	2	
8.	2890005005	VERTICAL SLIDE PLATE ADJUSTING BLOCK	2	
9.		HEADLESS SCREW	1	M12x25L
10.		HEADLESS SCREW	4	M10x70L
10.1		HEADLESS SCREW	4	M10x70L
11.		HEADLESS SCREW	1	M10x30L
11.1		HEADLESS SCREW	1	M10x30L
12.		HEADLESS SCREW	1	M10x10L
12.1		HEADLESS SCREW	1	M10x10L
13.		SOCK HEAD CAP SCREW	9	M10x60L(3821)
		SOCK HEAD CAP SCREW	9	M10x60L(3821H)
13.1.		SOCK HEAD CAP SCREW	9	M10x60L(3821)
		SOCK HEAD CAP SCREW	9	M10x60L(3821H)
14.		SOCK HEAD CAP SCREW	5	M10x40L(3821)
		SOCK HEAD CAP SCREW	5	M10x40L(3821H)
14.1.		SOCK HEAD CAP SCREW	5	M10x40L(3821)
		SOCK HEAD CAP SCREW	5	M10x40L(3821H)
15.		SOCK HEAD CAP SCREW	4	M12x100L
15.1		SOCK HEAD CAP SCREW	4	M12x100L
16.		NUT	4	M10
16.1		NUT	4	M10
17.		NUT	1	M12
18.		HEX SOCKET SCREW	1	M12*70L
19.	2000077005	BASE COVER	1	
20.		HEX SOCKET SCREW	2	M6*8L
21.		SOCK HEAD CAP SCREW	8	M16*65L
22.		SPRING WASHER	8	φ 16
23.		HEADLESS SCREW	2	M10*30L
24.		HEADLESS SCREW	6	M10*16L

WHEEL GUARD & WHEEL FLANGE



WHEEL GUARD & WHEEL FLANGE

A: GRINDING WHEEL (3813)

NO.	PART NO.	DESCRIPTION	Q'TY	SPEC.
1.	3940003005	WHEEL EXTRACT SCREW & NUT	1	
2.	1080008005	BALANCING ARBOR	1	
3.	2620013005	LOCK BOLT	1	
4.	2410056005	WASHER	1	
5.		12" GRINDING WHEEL	1	355x127x50MM

FLANGE (C0602):

NO.	PART NO.	DESCRIPTION	Q'TY	SPEC.
6.		HEADLESS SCREW	3	M5x5L
7.		STEEL BALL	3	D4
8.	3960002005	BALANCE BLOCK	3	
9.		INNER HEX SCREW	6	M6x50L
10.	3930016005	GRINDING WHEEL PRESSING PLATE	1	
11.	3920017005	GRINDING WHEEL HUB	1	

BALANCING STAND (C0302):

NO.	PART NO.	DESCRIPTION	Q'TY	SPEC.
1.	1000002005	BALANCING STAND	1	
2.		HEX HEAD SCREW	3	M8x18L

B: WHEEL GUARD (3812)

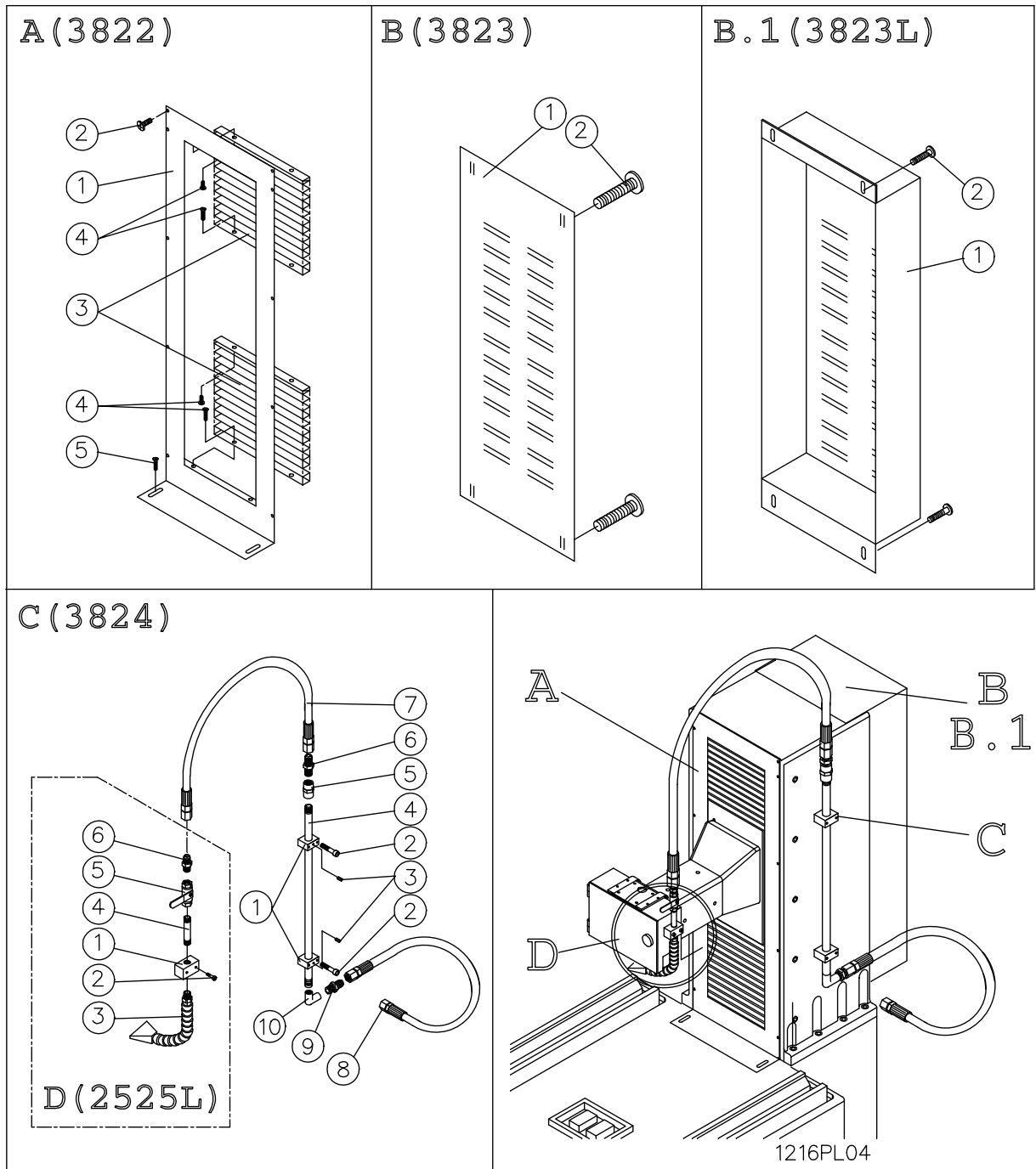
NO.	PART NO.	DESCRIPTION	Q'TY	SPEC.
1.	3900012005	WHEEL GUARD	1	
2.	2620014005	WHEEL GUARD BOLT	1	
3.	2000114005	MOVABLE GUARD PLATE	1	
4.		CROSS HEAD SCREW	4	M6x8L
5.		INNER HEX SCREW	4	M8x20L
6.	2350018005	SPLASH GUARD	1	
7.	3850005005	DUST RUBBER PIECE	1	
8.		INNER HEX SCREW	1	M6x14L
9.		ALUMINIUM RIVET	8	D3x5L
10.		WASHER	8	M3

C: WHEEL GUARD (3812E)

NO.	PART NO.	DESCRIPTION	Q'TY	SPEC.
1.	3900030005	WHEEL GUARD	1	
2.	3910001005	WHEEL GUARD PLATE	1	
3.		CROSS HEAD SCREW	4	M8x14L
4.	2000114005	MOVABLE GUARD PLATE	1	
5.		CROSS HEAD SCREW	4	M6x8L
6.		HEX HEAD SCREW	4	M8x20L

NO.	PART NO.	DESCRIPTION	Q'TY	SPEC.
7.	2350019005	SPLASH GUARD	1	
8.	3850005005	DUST RUBBER PIECE	1	
9.		INNER HEX SCREW	1	M6x14L
10.		ALUMINIUM RIVET	8	D3x5L
11.		WASHER	8	M3

DUST GUARD & WATER PIPE SYSTEM



DUST GUARD & WATER PIPE SYSTEM

A: COLUMN FRONT DUST FENDER (3822)

NO.	PART NO.	DESCRIPTION	Q'TY	SPEC.
1.	1910076015	STANDARD COLUMN FRONT FENDER	1	
2.		CROSS HEAD SCREW	10	M6x8L
3.	3520028005	COLUMN FRONT DUST SHEET	2	
4.		CROSS HEAD SCREW	8	M4x10L
5.		CROSS HEAD SCREW	2	M6x8L

B: COLUMN REAR DUST FENDER (3823)

NO.	PART NO.	DESCRIPTION	Q'TY	SPEC.
1.	2000115005	COLUMN REAR SEALED PLATE	1	FOR5HPMOTOR
2.		CROSS HEAD SCREW	4	M6x10L

B.1: COLUMN REAR DUST FENDER (3823L)

NO.	PART NO.	DESCRIPTION	Q'TY	SPEC.
1.	2000116005	COLUMN REAR SEALED PLATE	1	FOR75,10HPMOTOR
2.		CROSS HEAD SCREW	4	M6x10L

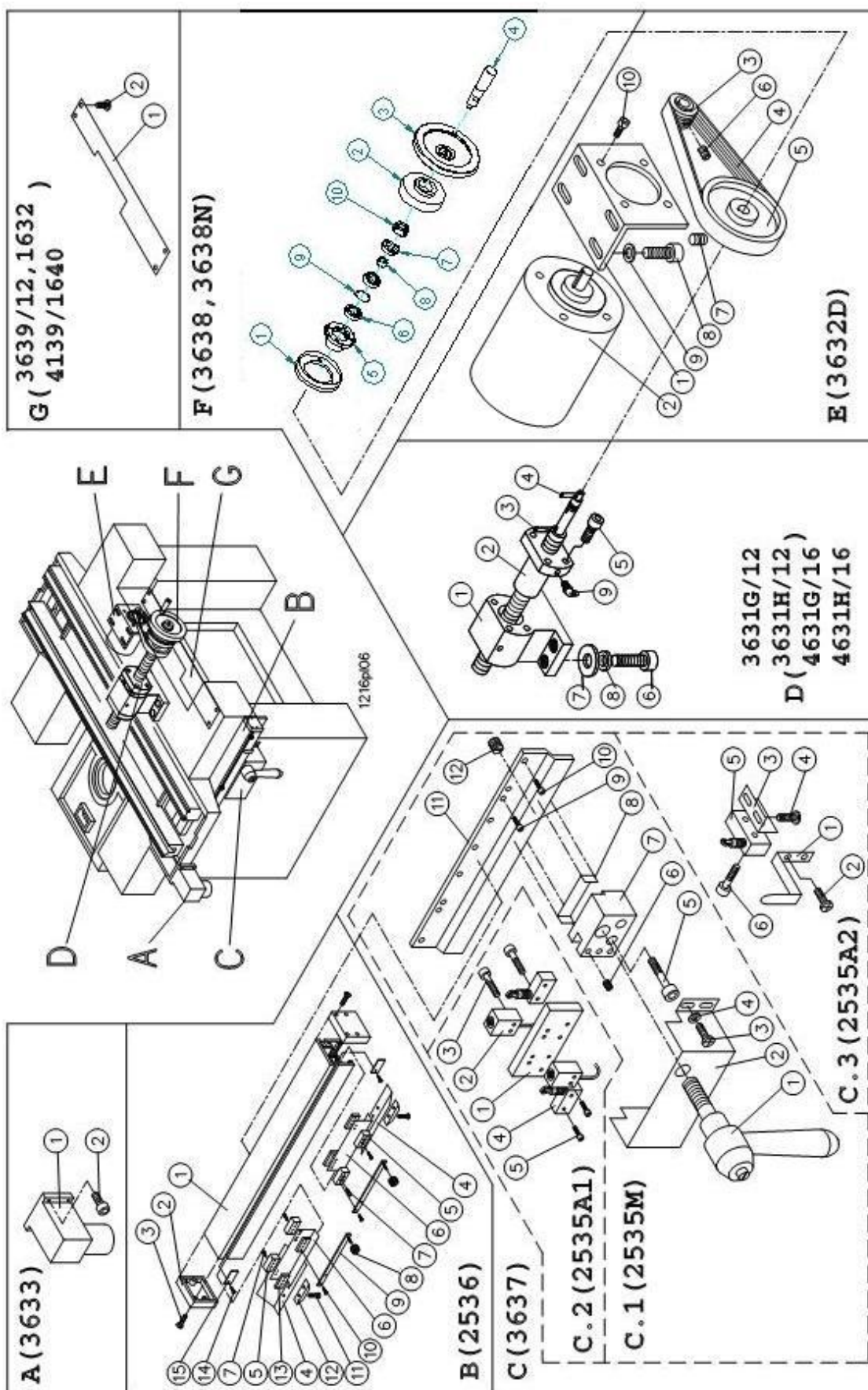
C: WATER PIPE (3824)

NO.	PART NO.	DESCRIPTION	Q'TY	SPEC.
1.	2420033005	WATER PIPE'S FIXING BLOCK	2	
2.		INNER HEX SCREW	4	M6x55L
3.		INNER HEX HEADLESS SCREW	2	M6x6L
4.	1400004005	WATER PIPE	1	
5.		INSIDE THREAD STRAIGHT CONNECTION	2	1/2PT
6.		HIGH PRESSURE PIPE CONNECTION	1	1/2PTx1/2PH
7.		HIGH PRESSURE PIPE	1	1/2PTx1310L
8.		HIGH PRESSURE PIPE	1	1/2PHx1000L
9.		HIGH PRESSURE PIPE CONNECTION	1	1/2PTx1/2PH
10.		INSIDE THREAD 90°CONNECTION	1	1/2PT

D: COOLANT NOZZLE SET (2525L)

NO.	PART NO.	DESCRIPTION	Q'TY	SPEC.
1.	1830014005	WATER NOZZLE SEAT	1	
2.		HEX HEAD SCREW	2	M6x12L
3.		WATER NOZZLE	2	1/2PT
4.		WATER PIPE	1	1/2PTx2"L
5.		BALL VALVE	1	1/2PT
6.		HIGH PRESSURE PIPE CONNECTION	1	1/2PTx3/8PH

SADDLE CROSSWISE DRIVE



SADDLE CROSSWISE DRIVE

A: COOLANT DRAINER (3633)

NO.	PART NO.	DESCRIPTION	Q'TY	SPEC.
1.	2450003005	COOLANT DRAINER	1	
2.		HEX SCREW	4	M6x16L

B. CROSSWISE SENSOR-DETECTED RAIL (2536)

NO.	PART NO.	DESCRIPTION	Q'TY	SPEC.
1.	2260010005	SENSOR-DETECTED RAIL	1	
2.	3870003005	SIDE COVER OF SENSOR-DETECTED RAIL	2	
3.		CROSS HEAD SCREW	8	M4*16L
4.	1740002005	INDUCTION LIMIT PLATE	2	
5.	2430003005	LOCKING BLOCK OF SENSOR-DETECTED SHEET	4	
6.	2000033005	CROSSWISE SENSOR-DETECTED SHEET	2	
7.		SOCK HEAD CAP SCREW	8	M4*14L
8.	2490033015	CLAMPING BLOCK OF SENSOR-DETECTED SHEET	2	
9.	2890017005	CROSSWISE SENSOR-DETECTED ADJUSTING BLOCK	1	
10.		CROSS HEAD SCREW	4	M4*20L
11.		CROSS HEAD SCREW	4	M4*6L
12.	2490010005	CROSSWISE LIMIT SETTING PLATE	2	
13.	2430002005	CLAMPING BLOCK OF SENSOR-DETECTED SHEET	4	
14.		CROSS HEAD SCREW	2	M4*6L
15.	2890004005	POSITIONING LIMITED PLATE	2	

C: CROSSWISE SAFETY SWITCH (3637)

C.1: CROSSWISE LOCKING DEVICE (2535M)

NO.	PART NO.	DESCRIPTION	Q'TY	SPEC.
1.	2620035005	CROSS LOCKING HANDLE	1	
2.	1910091015	CROSSWISE INDUCTION SWITCH PROTECTION COVER	1	
3.		CROSS HEAD SCREW	4	M5*8L
4.		WASHER	4	D5
5.		INNER HEX SCREW	4	M8*65L
6.		HEADLESS SCREW	3	M6*8L
7.	2430009005	CROSS LOCKING SOCKET	1	
8.	0640045005	CROSS LOCK CLAMPING PLATE	1	
9.		INNER HEX SCREW	4	M6*16L
10.		INNER HEX SCREW	5	M4*10L
11.	2430005015	CROSS LOCKING PLATE	1	
12.	2620016005	FRICITION SCREW	1	M12*15L

C.2: CROSSWISE PROXIMITY SWITCH (2535A1)

NO.	PART NO.	DESCRIPTION	Q'TY	SPEC.
1.	1720004025	CROSS PROXIMITY SWITCH SOCKET	1	PNP5MM PL-Q5P
2.		PROXIMITY SWITCH	2	17*17*28

NO.	PART NO.	DESCRIPTION	Q'TY	SPEC.
3.		CROSS HEAD SCREW	4	M3*25L
4.		LIMIT SWITCH	2	Z-15GQ22-B
5.		SOCK HEAD CAP SCREW	4	M4*25L

C.3: CROSSWISE SAFETY SWITCH (2535A2)

NO.	PART NO.	DESCRIPTION	Q'TY	SPEC.
1.	0890035005	CROSS TRAVEL INDICATOR	1	
2.		SOCK HEAD CAP SCREW	2	M5*10L
3.	2420038005	SAFETY SWITCH FIXED PLATE	1	
4.		SOCK HEAD CAP SCREW	2	M5*10L
5.		LIMIT SWITCH	1	Z-15GQ22-B
6.		SOCK HEAD CAP SCREW	2	M4*25L

D: CROSSWISE SCREW SET FOR 14(3631G/3631H)

NO.	PART NO.	DESCRIPTION	Q'TY	SPEC.
1.	0030003005	NUT SEAT	1	
2.	1120040005	CROSSWISE BALL SCREW	1	(3631G)
	1120042005	CROSSWISE BALL SCREW	1	(3631H)
3.		SETTING KEY	1	6*6*20L
4.		SETTING KEY	1	3*3*12L
5.		SOCKET SCREW	4	M6*16L
6.		SOCKET SCREW	4	M12*35L
7.		WASHER	4	D12
8.		SPRING WASHER	4	D12
9.		GREASE FILLING HOLE	1	

CROSSWISE SCREW SET FOR 16(4631G/4631H)

NO.	PART NO.	DESCRIPTION	Q'TY	SPEC.
1.	0030003005	NUT SEAT	1	
2.	1120052005	CROSSWISE BALL SCREW	1	(4631G)
	1120054005	CROSSWISE BALL SCREW	1	(4631H)
3.		SETTING KEY	1	6*6*20L
4.		SETTING KEY	1	3*3*12L
5.		SOCKET SCREW	4	M6*16L
6.		SOCKET SCREW	4	M12*35L
7.		WASHER	4	D12
8.		SPRING WASHER	4	D12
9.		GREASE FILLING HOLE	1	

E: CROSSWISE MOTOR SET (3632X)

NO.	PART NO.	DESCRIPTION	Q'TY	SPEC.
1.	1700039005	MOTOR FIXING PLATE IN CROSS MOVEMENT MOTOR	1	
2.		AC MOTOR	1	AM-370
3.	1210035005	MOTOR PULLEY	1	
4.	F02AA55353	TIMING BELT-G	1	HTD-5M535x20m/m

5. 210169015 MOTOR PULLEY IN CROSS MOVEMENT MOTOR 1

NO.	PART NO.	DESCRIPTION	Q'TY	SPEC.
6.		SET SCREW	2	M5*6L
7.		HEX HEAD SCREW	4	M8*16L
9.		WASHER	4	D8
10.		HEX HEAD SCREW	4	M8*12L

F: CROSSWISE SCALE RING & HAND WHEEL (3638/3638N)

NO.	PART NO.	DESCRIPTION	Q'TY	SPEC.
1.	1890013005	SCALE INDICATING PLATE	1	
2.	0890031015	FEEDING SCALE RING(MM)	1	3638
	0890032015	FEEDING SCALE RING(INCH)	1	3638N
3.	1260010005	CROSSWISE HAND WHEEL	1	
4.	4210004005	FOLDING HANDLE	1	
5.	0010010005	BEARING SEAT	1	
6.	B1100A7004	BEARING PUSHER	2	7004A
7.	2640008005	BEARING LOCKING NUT	1	
8.	1430026005	REAR BEARING IN SCREW	1	
9.	1440027005	BEARING SPACER	1	
10.		LOCKED NUT	1	M20x1.0P

G: CROSSWISE PROTECTION SET (3639/14,1632)

NO.	PART NO.	DESCRIPTION	Q'TY	SPEC.
1.	1910051005	PROTECTION PLATE	1	1228,1232,1632
2.		CROSS HEAD SCREW	6	M5x8L

CROSSWISE PROTECTION SET (4139/1640)

NO.	PART NO.	DESCRIPTION	Q'TY	SPEC.
1.	1910087005	PROTECTION PLATE	1	1640
2.		CROSS HEAD SCREW	6	M5x8L

TABLE LONGITUDINAL DRIVE (1428)

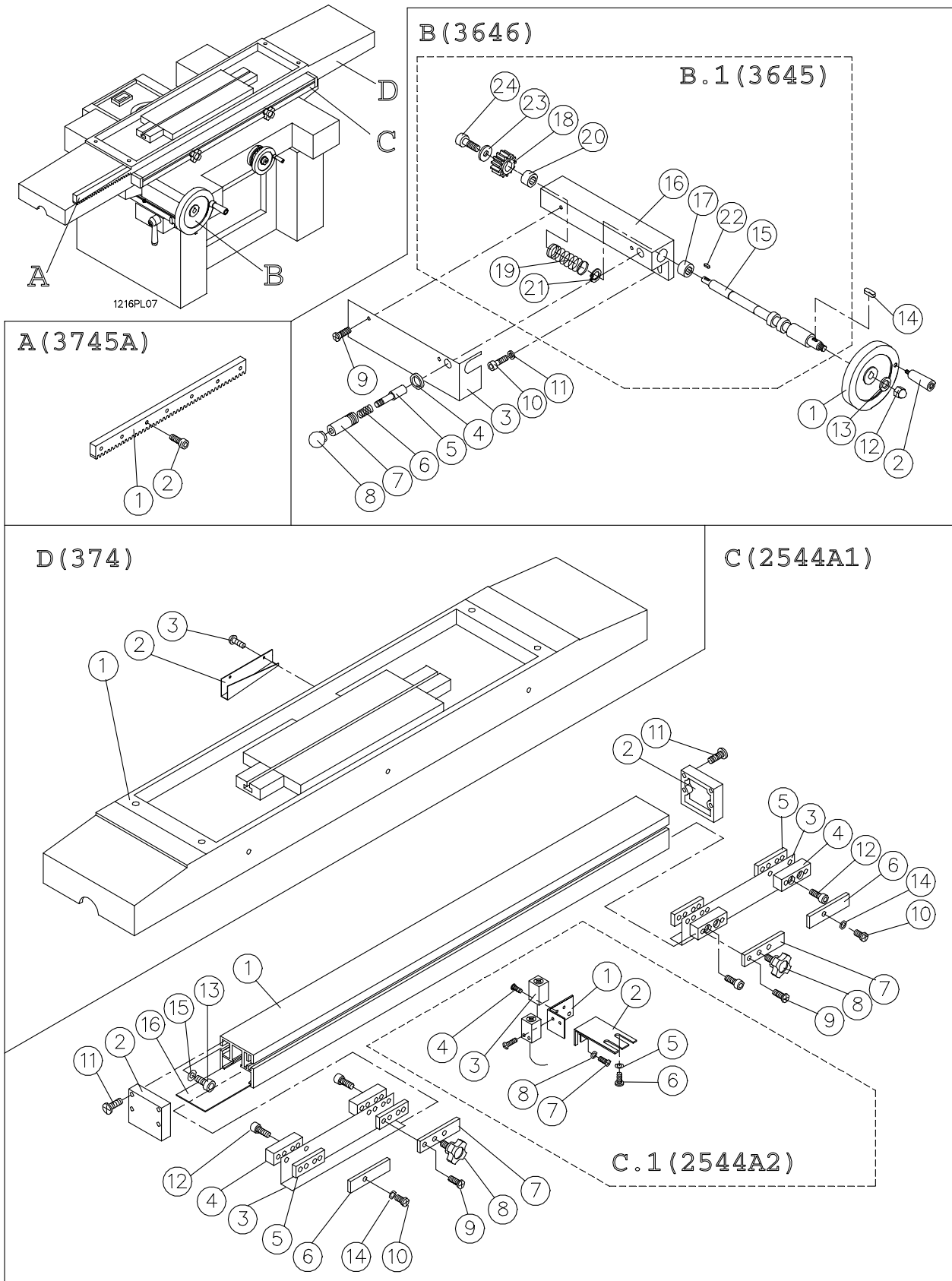


TABLE LONGITUDINAL DRIVE (1428)

A: LONGITUDINAL RACK SET (3745A)

NO.	PART NO.	DESCRIPTION	Q'TY	SPEC.
1.	1150006005	LONGITUDINAL RACK	1	
2.		SOCK HEAD CAP SCREW	7	M6x20L

B: LONGITUDINAL HAND WHEEL SET (3646)

NO.	PART NO.	DESCRIPTION	Q'TY	SPEC.
1.	1260013005	HAND WHEEL	1	
2.	4210007005	HANDLE	1	
3.	1910065005	DRIVING SHAFT PROTECTION COVER	1	
4.		SEAL RING	1	ϕ 12x ϕ 15x3L
5.	2610006005	MOVABLE PIN	1	
6.	2700003005	COMPRESSION SPRING	1	
7.	2490003005	LOCATING SEAT	1	
8.	3870002005	PLASTIC BLACK BALL	1	
9.		CROSS HEAD SCREW	2	M6x8L
10.		INNER HEX SCREW	2	M8x20L
11.		WASHER	2	ϕ 8
12.		CUP NUT	5	5x12L
13.		WASHER	2	ϕ 12
14.		SETTING KEY	1	

B.1: LONGITUDINAL TRANSMISSION SET (3645)

NO.	PART NO.	DESCRIPTION	Q'TY	SPEC.
15.	1030059005	LONGITUDINAL DRIVING SHAFT	1	
16.	0050006005	LONGITUDINAL DRIVING SEAT	1	
17.		NEEDLE BEARING	1	FJ-1712
18.	1200022005	LONGITUDINAL DRIVING GEAR	1	
19.		COMPRESSION SPRING	1	
20.		NEEDLE BEARING	1	RLM1416
21.		C-SHAPE RING	1	C17
22.		SETTING KEY	1	4x12L
23.	2410024005	GEAR FIXING WASHER	1	
24.		SOCK HEAD CAP SCREW	1	M5x14L

C: LONGITUDINAL SENSOR-DETECTED SET (2544A1)

NO.	PART NO.	DESCRIPTION	Q'TY	SPEC.
1.	2260024005	LONGITUDINAL INDUCTION RAIL	1	
2.	3870003005	SIDE COVER OF INDUCTION RAIL	2	
3.	2000033005	LONGITUDINAL SENSOR-DETECTED SHEET	2	
4.	2430003005	LOCKING BLOCK OF SENSOR-DETECTED SHEET	4	
5.	2430002005	CLAMPING BLOCK OF SENSOR-DETECTED SHEET	4	
6.	2490004005	LONGITUDINAL LIMIT BLOCK	2	

NO.	PART NO.	DESCRIPTION	Q'TY	SPEC.
7.	2890004005	LONGITUDINAL SENSOR ADJUSTING BLOCK	2	
8.	2620005005	LOBE KNOB	2	
9.		CROSS HEAD SCREW	4	M4x20L
10.		CROSS HEAD SCREW	2	M4x8L
11.		CROSS HEAD SCREW	8	M4x16L
12.		SOCK HEAD CAP SCREW	8	M5x14L
13.		SOCK HEAD CAP SCREW	2	M6x16L
14.		SOCK HEAD PLATE WASHER	2	D4
15.		SOCK HEAD PLATE WASHER	2	D6
16.	3500015005	DUST CONTROL BOARD	1	

C.1: PROXIMITY SWITCH (2544A2)

NO.	PART NO.	DESCRIPTION	Q'TY	SPEC.
1.	1810053005	FIXING PLATE	1	
2.	2890009005	ADJUSTING PLATE	1	
3.		PROXIMITY SWITCH	2	PNP 5MM
(17*17*28MM)				
4.		WASHER	2	D5
5.		CROSS HEAD SCREW	2	M5x10L
6.		CROSS HEAD SCREW	2	M4x6L
7.		WASHER	2	D4

D: TABLE SET (374)

NO.	PART NO.	DESCRIPTION	Q'TY	SPEC.
1.	0506032015	TABLE	1	
2.	3520064005	ANTI-WATER PLATE	1	
3.		CROSS HEAD SCREW	2	M4x8L

TABLE LONGITUDINAL DRIVE (1436/1632/1640)

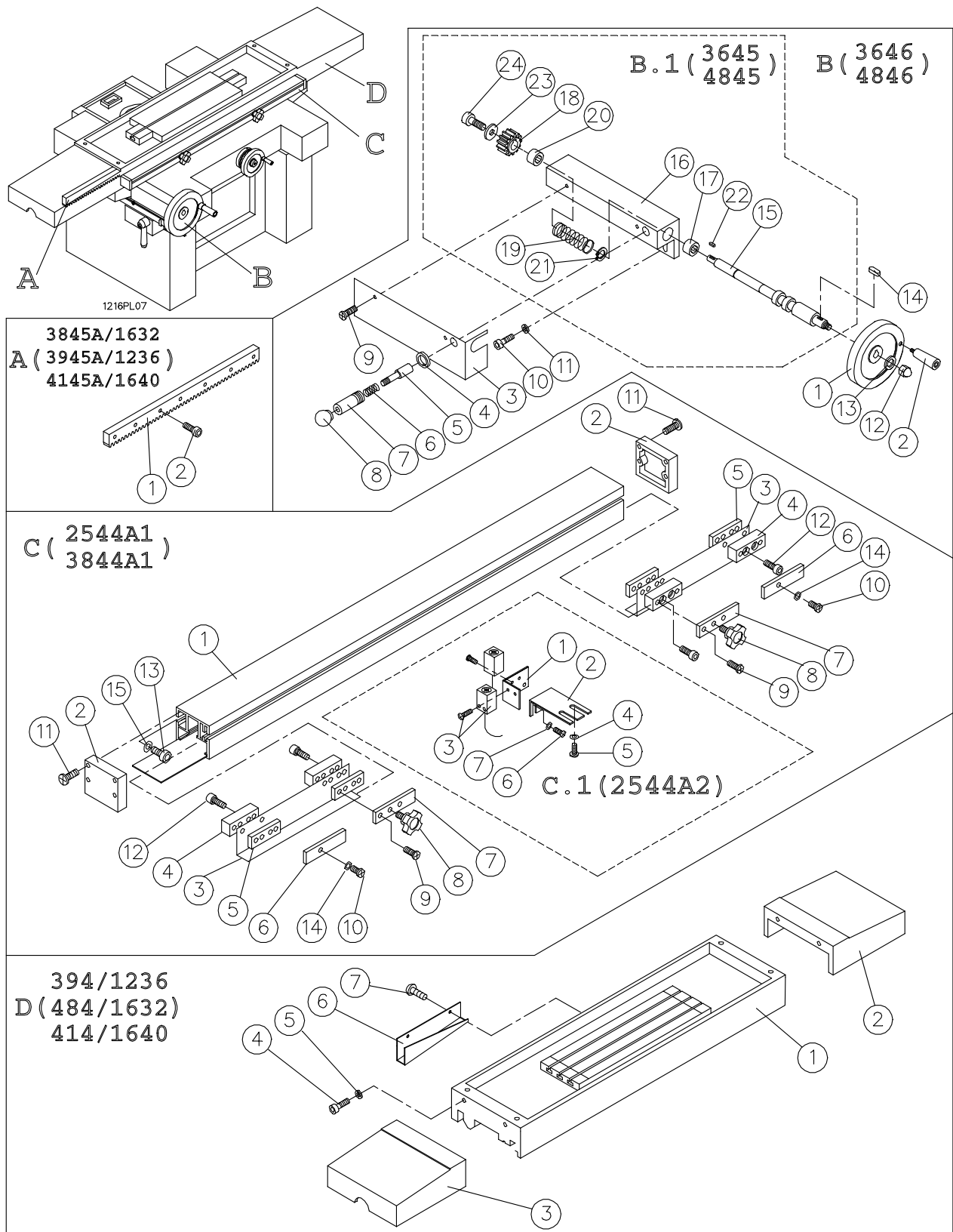


TABLE LONGITUDINAL DRIVE (1436/1632/1640)
A: LONGITUDINAL RACK SET (3845A/1632)(3945A/1436)(4545A/1640)

NO.	PART NO.	DESCRIPTION	Q'TY	SPEC.
1.	1150008005	LONGITUDINAL RACK	1	(3845A)
	1150010005	LONGITUDINAL RACK	1	(3945A)
	1150011005	LONGITUDINAL RACK	1	(4545A)
2.		SOCK HEAD CAP SCREW	7	M6x20L

B: LONGITUDINAL HAND WHEEL SET (3646/14)(4846/16)

NO.	PART NO.	DESCRIPTION	Q'TY	SPEC.
1.	1260013005	HAND WHEEL	1	
2.	4210007005	HANDLE	1	
3.	1910065005	DRIVING SHAFT PROTECTION COVER	1	12 SERIES
	1910092005	DRIVING SHAFT PROTECTION COVER	1	16 SERIES
4.		SEAL RING	1	ϕ 12x ϕ 15x3L
5.	2610006005	MOVABLE PIN	1	
6.	2700003005	COMPRESSION SPRING	1	
7.	2490003005	LOCATING SEAT	1	
8.	3870002005	PLASTIC BLACK BALL	1	
9.		CROSS HEAD SCREW	2	M6x8L
10.		INNER HEX SCREW	2	M8x20L
11.		WASHER	2	ϕ 8
12.		CUP NUT	5	5x12L
13.		WASHER	2	ϕ 12
14.		SETTING KEY	1	

B.1: LONGITUDINAL TRANSMISSION SET (3645/14)(4845/16)

NO.	PART NO.	DESCRIPTION	Q'TY	SPEC.
15.	1030059005	LONGITUDINAL DRIVING SHAFT	1	(3645)
	1030078005	LONGITUDINAL DRIVING SHAFT	1	(4845)
16.	0050006005	LONGITUDINAL DRIVING SEAT	1	(3645)
	0050020005	LONGITUDINAL DRIVING SEAT	1	(4845)
17.		NEEDLE BEARING	1	FJ-1712
18.	1200022005	LONGITUDINAL DRIVING GEAR	1	
19.		COMPRESSION SPRING	1	
20.		NEEDLE BEARING	1	RLM1416
21.		C-SHAPE RING	1	C17
22.		SETTING KEY	1	4x12L
23.	2410024005	GEAR FIXING WASHER	1	
24.		SOCK HEAD CAP SCREW	1	M5x14L

C: LONGITUDINAL SENSOR-DETECTED SET (2544A1/3844A1)

NO.	PART NO.	DESCRIPTION	Q'TY	SPEC.
1.	2260033005	LONGITUDINAL INDUCTION RAIL	1	
2.	3870003005	SIDE COVER OF INDUCTION RAIL	2	
3.	2000033005	LONGITUDINAL SENSOR-DETECTED SHEET	2	
4.	2430003005	LOCKING BLOCK OF SENSOR-DETECTED SHEET	4	
5.	2430002005	CLAMPING BLOCK OF SENSOR-DETECTED SHEET	4	
6.	2490004005	LONGITUDINAL LIMIT BLOCK	2	
7.	2890004005	LONGITUDINAL SENSOR ADJUSTING BLOCK	2	
8.	2620005005	LOBE KNOB	2	
9.		CROSS HEAD SCREW	4	M4x20L
10.		CROSS HEAD SCREW	2	M4x8L
11.		CROSS HEAD SCREW	8	M4x16L
12.		SOCK HEAD CAP SCREW	8	M5x14L
13.		SOCK HEAD CAP SCREW	2	M6x16L
14.		SOCK HEAD PLATE WASHER	2	D4
15.		SOCK HEAD PLATE WASHER	2	D6

C.1: PROXIMITY SWITCH (2544A2)

NO.	PART NO.	DESCRIPTION	Q'TY	SPEC.
1.	1810053005	FIXING PLATE	1	
2.	2890009005	ADJUSTING PLATE	1	
3.		PROXIMITY SWITCH	2	PNP 5MM
		(17*17*28MM)		
4.		WASHER	2	D5
5.		CROSS HEAD SCREW	2	M5x10L
6.		CROSS HEAD SCREW	2	M4x6L
7.		WASHER	2	D4

D: TABLE SET (394/1436)

NO.	PART NO.	DESCRIPTION	Q'TY	SPEC.
1.	0506038005	TABLE	1	
2.	1930018005	RIGHT-END COVER	1	
3.	1930017005	LEFT-END COVER	1	
4.		CROSS HEAD SCREW	6	M8x30L
5.		WASHER	6	D4
6.	3520064005	ANTI-WATER PLATE	1	
7.		CROSS HEAD SCREW	2	M4x8L

TABLE SET (484/1632)

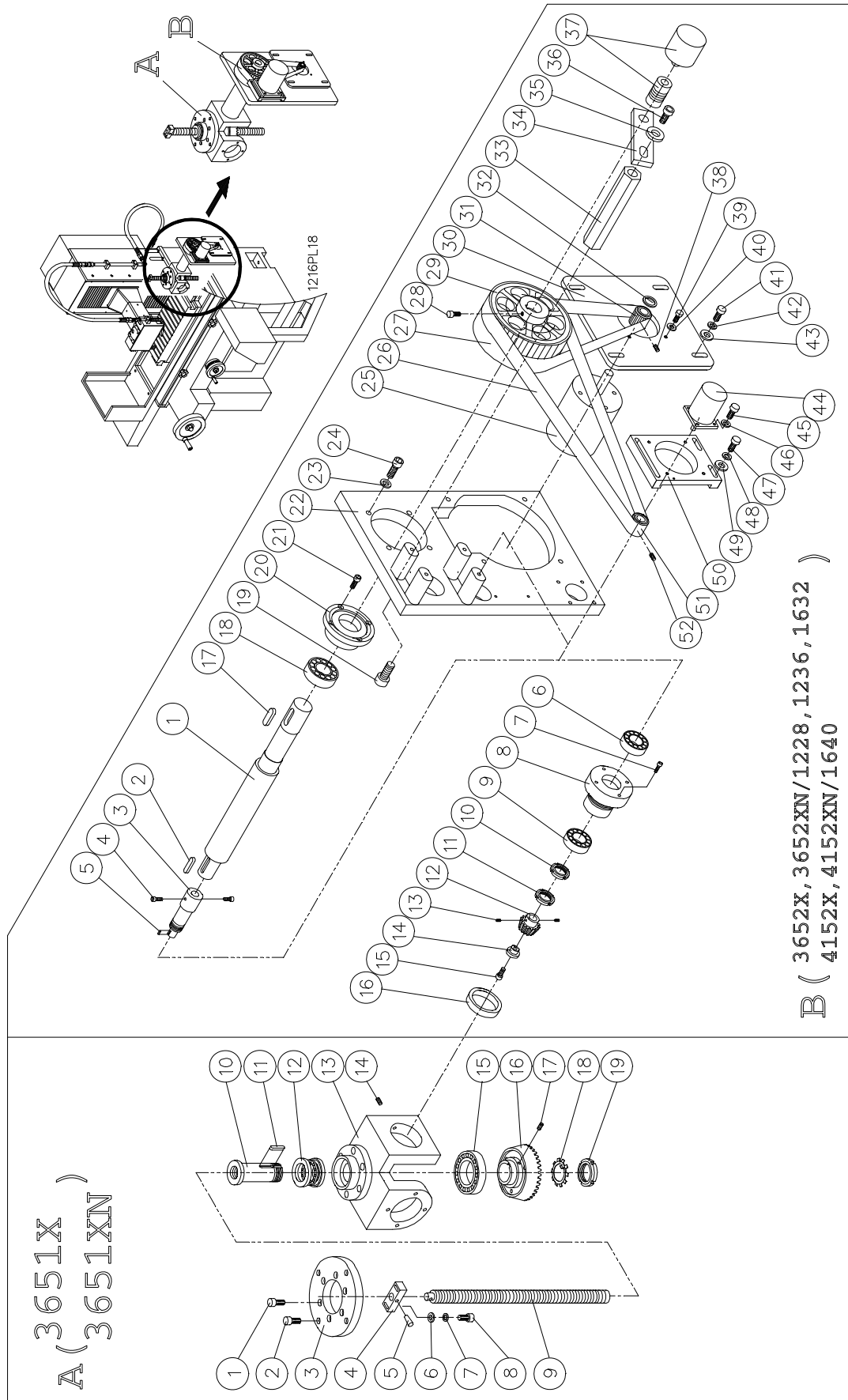
NO.	PART NO.	DESCRIPTION	Q'TY	SPEC.
1.	0506048015	TABLE	1	
2.	1930024005	RIGHT-END COVER	1	
3.	1930026005	LEFT-END COVER	1	
4.		CROSS HEAD SCREW	6	M8x30L
5.		WASHER	6	D4

6.	520064005	ANTI-WATER PLATE	1	
NO.	PART NO.	DESCRIPTION	Q'TY	SPEC.
7.		CROSS HEAD SCREW	2	M4x8L

TABLE SET (414/1640)

NO.	PART NO.	DESCRIPTION	Q'TY	SPEC.
1.	0506040015	TABLE	1	
2.	1930021005	RIGHT-END COVER	1	
3.	1930019005	LEFT-END COVER	1	
4.		CROSS HEAD SCREW	6	M8x30L
5.		WASHER	6	D4
6.	3520064005	ANTI-WATER PLATE	1	
7.		CROSS HEAD SCREW	2	M4x8L

VERTICAL FEED



VERTICAL FEED

A: VERTICAL LEADSCREW SET (3651X,3651XN)

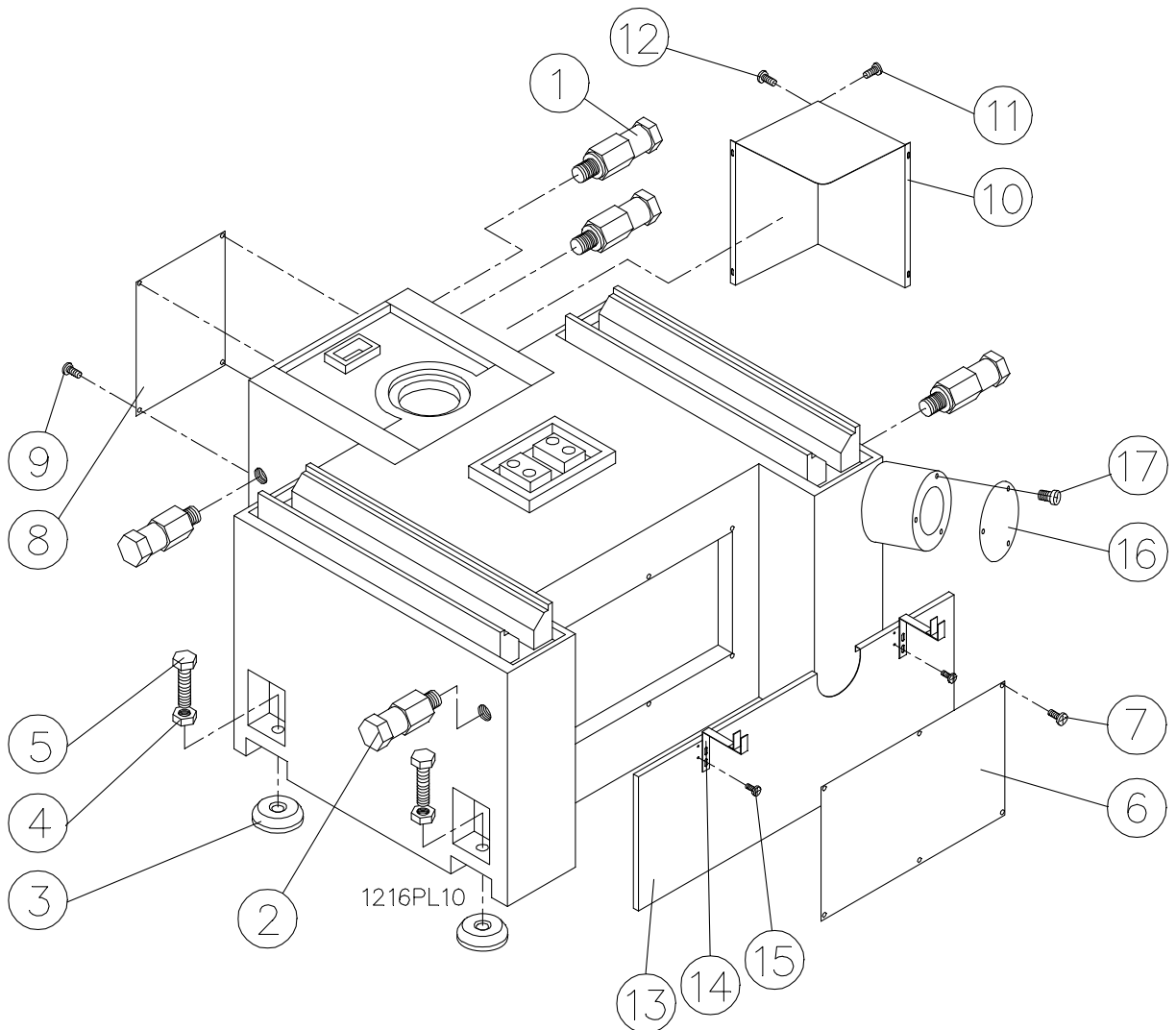
NO.	PART NO.	DESCRIPTION	Q'TY	SPEC.
1.		HEX HEAD SCREW	6	M10x20L
2.		HEX HEAD SCREW	4	M6x25L
3.	2420027005	FIXING PLATE OF ELEVATING NUT	1	
4.	830033005	FIXING SEAT OF SCREW SLEEVE	1	
5.		TAPER PIN	1	#5x38L
6.		SPRING WASHER	2	φ 8
7.		WASHER	2	φ 8
8.		HEX HEAD SCREW	2	M8x35L
9.	1130009005	STANDARD ELEVATING SCREW(MM)	1	
	1130010005	STANDARD ELEVATING SCREW(INCH)	1	
10.	2630047005	ELEVATING NUT	1	
	2630048005	ELEVATING NUT	1	
11.		DOUBLE HEAD FLATE KEY	1	8x7x30L
12.	0010014005	THRUST BEARING	1	51109
13.	1800019005	FIXING SEAT OF ELEVATING GEAR	1	
14.		SET SCREW	1	M10x10L
15.		BEARING	1	6212
16.	1200032005	RIGHT SPIRAL BIG GEAR(MM)	1	(3651X)
	1200033005	RIGHT SPIRAL BIG GEAR(INCH)	1	(3651XN)
17.		HEADLESS SCREW	2	M6x10L
18.	A18BA0AW09	OUTER RING	1	AW09
19.	A12000AN09	LOCKING NUT	1	AN09

B: VERTICAL TRANSMITTING SET (3652X,3652XN/1428,1436,1632)

NO.	PART NO.	DESCRIPTION	Q'TY	SPEC.
1.	1030065005	DRIVING SHAFT	1	(3652D,3652ND)
	1030077005	DRIVING SHAFT	1	(4152D,4152ND)
2.		DOUBLE HEAD FLATE KEY	1	6x6x25L
3.	1030005005	PINION DRIVING SHAFT	2	
4.		HEADLESS SCREW	2	M6x12L
5.		DOUBLE HEAD FLATE KEY	2	6x6x25L
6.		BEARING	2	6202
7.		SOCK HEAD CAP SCREW	8	M6x50L
8.	0010018005	BEARING SEAT	1	
9.		BEARING	2	6202
10.		NUT	1	AN04
11.		NUT	1	AN04
12.	1200034005	LEFT SPIRAL PINION (MM)	2	(3652X)
	1200035005	LEFT SPIRAL PINION (INCH)	2	(3652XN)
13.		HEADLESS SCREW	4	M6x8L
14.		BEARING	1	6212
15.		SOCK HEAD CAP SCREW	2	M8x30L

NO.	PART NO.	DESCRIPTION	Q'TY	SPEC.
16.	2630050005	REGULATING NUT	2	
17.		DOUBLE HEAD FLATE KEY	2	6x6x25L
18.		BEARING	1	6205
19.		HEX HEAD SCREW	1	M8x35L
20.	0010014005	REAR BEARING SEAT	1	
21.		SOCK HEAD CAP SCREW	4	M6x30L
22.	1700043005	MOTOR FIXING PLATE	1	
23.		SPRING WASHER	1	φ 8
24.		HEX HAND SCREW	1	M8*30L
25.	4300002005	AC MOTOR	1	1/4PH6P
26.		PLASTIC STEEL WIRE TOOTH-FORM BELT	1	T5x122Tx18mm
27.		PLASTIC STEEL WIRE TOOTH-FORM BELT	1	T5x144Tx25mm
28.		SOCK HEAD CAP SCREW	2	M6x15L
29.	1210028005	DRIVER PULLEY	1	
30.	1700044005	MOTOR FIXING PLATE	1	
31.	1210044005	ELEVATING	1	
32.	2490027005	WASHER	2	
33.	1020005005	FIXED PLATE SUPPORT	1	
34.	1810107005	ENCODER FIXED PLATE		1
35.		WASHER	1	φ 8
36.		HEX HAND SCREW	1	M8*20L
37.		ENCODER	1	
38.		SET SCREW	2	M5x5L
39.		HEX HAND SCREW	1	M8*20L
40.		SPRING WASHER	1	φ 8
41.		SOCK HEAD CAP SCREW	4	M8x25L
42.		SPRING WASHER	1	φ 8
43.		WASHER	1	φ 8
44.	4300003005	STEPPING MOTOR(PK299-01A)	1	
45.		SOCK HEAD CAP SCREW	4	M5x18L
46.		SPRING WASHE	1	φ 5
47.		SOCK HEAD CAP SCREW	4	M6x30L
48.		SPRING WASHE	1	φ 6
49.		WASHE	1	φ 6
50.	1700013005	MOTOR FIXED PLATE	1	
51.	1210031015	ELEVATING RAPID DRIVING PULLEY	2	
52.		CROSS HEAD CAP SCREW	2	M5x5L

LIFTING STRUCTURE (1428,1436,1632,1640)(PD)



LIFTING STRUCTURE (1428,1436,1632)(PD)

EYE BOLT SET (3654)

NO.	PART NO.	DESCRIPTION	Q'TY	SPEC.
1.	2620011005	HANGING SCREW	4	
2.	2620012005	HANGING SCREW	1	

LEVELING SCREW SET (3655)

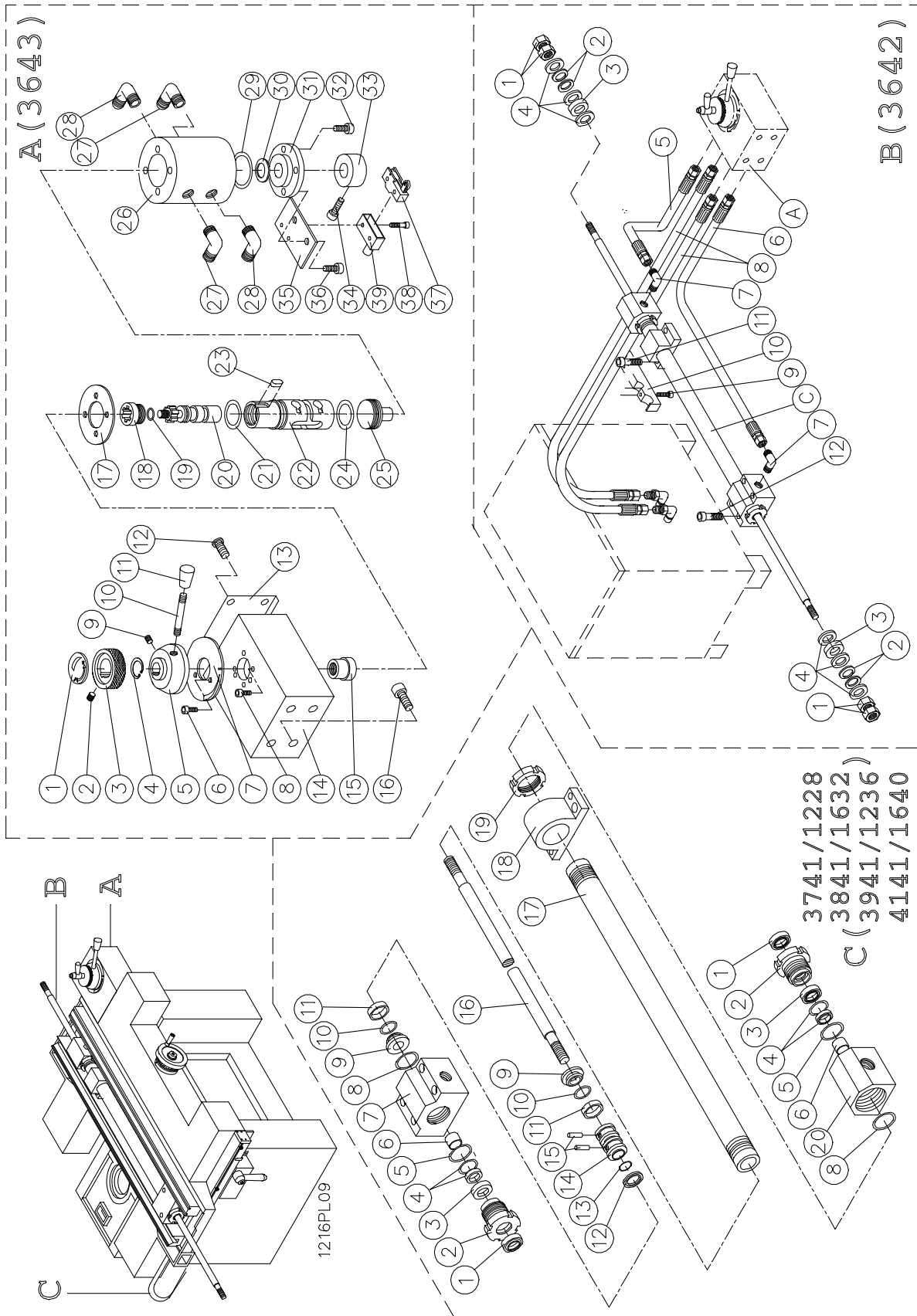
NO.	PART NO.	DESCRIPTION	Q'TY	SPEC.
5.	2410008005	SOCK HEAD CAP SCREW	5	
6.		HEX NUT	5	M22
7.	2620027005	FLAT-REGULATING SCREW	5	M22*105L

BASE COVER UNIT

(3656A/1428,1436)(4656A/1632) (4156A/1640)

NO.	PART NO.	DESCRIPTION	Q'TY	SPEC.
6.	2000101005	BASE FRONT SEALED COVER	1	
7.		SOCKET SCREW	8	M6x10L
8.	2000102005	BASE REAR SEALED SCREW	1	
9.		SOCKET SCREW	4	M6x10L
10.	3880003005	PROTECT COVER	1	(3656)
	3880004005	PROTECT COVER	1	(4656A)
	3880005005	PROTECT COVER	1	(4156A)
11.		SOCKET SCREW	2	M6x6L
12.		SOCKET SCREW	2	M6x6L
13.	1440028005	BASE OIL PLATE	1	
14.	2420029005	INSIDE FIXED DIVIDER	2	
15.		SOCK HEAD CAP SCREW	4	M5x8L
16.	2000147005	COLUMN SIDE PLATE	1	
17.		CROSS HEAD SCREW	3	M5*10L

LONGITUDINAL HYDRAULIC SYSTEM



LONGITUDINAL HYDRAULIC SYSTEM

A: LONGITUDINAL THROTTLING VALVE(3643)

NO.	PART NO.	DESCRIPTION	Q'TY	SPEC.
1.	3700549005	FLOW CONTROL NAME PLATE	1	
2.		HEADLESS SCREW	1	M6x6L
3.	3130008015	FLOW CONTROL KNOB	1	
4.		INNER RETAINING RING	1	φ 42
5.	1720003015	FLOW SWITCH	1	
6.		SOCK HEAD CAP SCREW	2	M6x12L
7.	3080037005	THROTTLING VALVE PANEL	1	
8.		SOCK HEAD CAP SCREW	4	M6x20L
9.		HEADLESS SCREW	1	M6x6L
10.	4210013015	THROTTLING HANDLE BAR	1	
11.	4210011005	THROTTLING HANDLE HEAD	1	
12.		CROSS HEAD SCREW	4	M5x12L
13.	2000083005	THROTTLING SEAT REAR COVER	1	
14.	1820005005	THROTTLING VALVE SEAT	1	
15.	2630051005	FLOW CONTROL NUT	1	
16.		SOCK HEAD CAP SCREW	4	M8x20L
17.	2000082005	UPPER COVER PLATE OF THROTTLING SEAT	1	
18.	1430015005	INSIDE HEXAGONAL SHAFT SLEEVE	1	
19.		O-RING	1	P22
20.	1030071005	THROTTLING ARBOR	1	
21.		O-RING	1	P42
22.		DOUBLE HEAD FLAT KEY	1	6x6x10L
23.	1030018015	THROTTLING VALVE SHAFT	1	
24.		O-RING	1	P26
25.	1030070005	SWITCH SHAFT OF THROTTLING VALVE	1	
26.	2820002005	THROTTLING VALVE BODY	1	
27.		HIGH PRESSURE PIPE 90°CONNECTION	2	1/2PTx3/4H
28.		HIGH PRESSURE PIPE 90°CONNECTION	2	1/2PTx1/2H
29.		O-RING	1	P48
30.		DISC WASHER	1	d14xD28x1.5T
31.	2020006005	THROTTLING VALVE REAR COVER	1	
32.		SOCK HEAD CAP SCREW	2	M5x14L
33.	2420117005	CROSSWISE SETTING BLOCK	1	
34.		CROSS HEAD SCREW	2	M4x25L
35.	1810058005	SAFETY SWITCH SEAT	1	
36.		SOCK HEAD CAP SCREW	2	M5x14L
37.		SAFETY SWITCH	1	Z-15GW2-B
38.		SOCK HEAD CAP SCREW	1	M4x25L
39.		LIMIT SWITCH COVER	1	CB-1

B: HYDRAULIC PIPING (3642)

NO.	PART NO.	DESCRIPTION	Q'TY	SPEC.
1.		HEX SOCKET NUT	4	M16
2.		DISC WASHER	4	D16xD32x1.5T
3.	2410043005	WASHER	2	
4.	2410045005	RECOIL CUSHION	6	
5.		HIGH PRESSURE PIPE(1/2"PHx510L)	1	1228
		HIGH PRESSURE PIPE(1/2"PHx520L)	1	1236,1632
		HIGH PRESSURE PIPE(1/2"PHx550L)	1	1640
6.		HIGH PRESSURE PIPE(1/2"PHx1400L)	1	1228
		HIGH PRESSURE PIPE(1/2"PHx1490L)	1	1236,1632
		HIGH PRESSURE PIPE(1/2"PHx1750L)	1	1640
7.		HIGH PRESSURE PIPE 90°CONNECTION	2	1/2"PTx1/2"PH
8.		HIGH PRESSURE PIPE(3/4"PHx1750L)	2	1228,1236
		HIGH PRESSURE PIPE(3/4"PHx1830L)	2	1632,1640
9.		SOCKET SCREW	2	M6x30L
10.	0640017005	HIGH PRESSURE PIPE CONNECTION	1	
11.		SOCKET SCREW	2	M8x35L
12.		SOCKET SCREW	4	M8x55L

C: LONGITUDINAL HYDRAULIC CYLINDER SET (3741/1428)

NO.	PART NO.	DESCRIPTION	Q'TY	SPEC.
1.		DUST RING	2	DH22.4
2.	1830029005	OIL SEAL SEAT	2	
3.		OIL SEAL	2	UHS 22.4
4.		OIL SEAL	2	GSP22.4x30x5
5.		O-RING	2	P42
6.		BEARING	2	DU1810
7.	2910002005	LEFT HYDRAULIC CYLINDER TOP HEAD	1	
8.		O-RING	2	P50
9.	2560005005	ANTI-COLLISION SLEEVE	2	
10.		O-RING	2	P30
11.		TURCITE-B	2	10x125L
12.		OIL SEAL	1	GSP45x35x4
13.		O-RING	1	P22.4
14.	2920004015	PISTON	1	
15.		TAPER PIN	2	#5x38L
16.	2790013005	PISTON ROD	1	
17.	2800011005	HYDRAULIC PIPE	1	
18.	1800029005	FIXING RING OF HYDRAULIC CYLINDER	1	
19.	2630045005	LOCK NUT	1	
20.	2910003015	RIGHT HYDRAULIC CYLINDER TOP HEAD	1	

LONGITUDINAL HYDRAULIC CYLINDER SET (3841/1632)

NO.	PART NO.	DESCRIPTION	Q'TY	SPEC.
1.		DUST RING	2	DH22.4
2.	1830029005	OIL SEAL SEAT	2	
3.		OIL SEAL	2	UHS 22.4
4.		OIL SEAL	2	GSW22.4x30x5
5.		O-RING	2	P42
6.		BEARING	2	DU1810
7.	2910002005	LEFT HYDRAULIC CYLINDER TOP HEAD	1	
8.		O-RING	2	P50
9.	2560005005	ANTI-COLLISION SLEEVE	2	
10.		O-RING	2	P30
11.		TURCITE-B	2	10x125L
12.		OIL SEAL	1	GSP45x35x4
13.		O-RING	1	P22.4
14.	2920004015	PISTON	1	
15.		TAPER PIN	2	#5x38L
16.	2790013005	PISTON ROD	1	1632
17.	2800011005	HYDRAULIC PIPE	1	1632
18.	1800029005	FIXING RING OF HYDRAULIC CYLINDER	1	
19.	2630045005	LOCK NUT	1	
20.	2910003015	RIGHT HYDRAULIC CYLINDER TOP HEAD	1	

LONGITUDINAL HYDRAULIC CYLINDER SET (3941/1436)

NO.	PART NO.	DESCRIPTION	Q'TY	SPEC.
1.		DUST RING	2	DH22.4
2.	1830029005	OIL SEAL SEAT	2	
3.		OIL SEAL	2	UHS 22.4
4.		OIL SEAL	2	GSW22.4x30x5
5.		O-RING	2	P42
6.		BEARING	2	DU1810
7.	2910002005	LEFT HYDRAULIC CYLINDER TOP HEAD	1	
8.		O-RING	2	P50
9.	2560005005	ANTI-COLLISION SLEEVE	2	
10.		O-RING	2	P30
11.		TURCITE-B	2	10x125L
12.		OIL SEAL	1	GSP45x35x4
13.		O-RING	1	P22.4
14.	2920004015	PISTON	1	
15.		TAPER PIN	2	#5x38L
16.	2790016005	PISTON ROD	1	1236
17.	2800014005	HYDRAULIC PIPE	1	1236
18.	1800029005	FIXING RING OF HYDRAULIC CYLINDER	1	
19.	2630045005	LOCK NUT	1	
20.	2910003015	RIGHT HYDRAULIC CYLINDER TOP HEAD	1	

LONGITUDINAL HYDRAULIC CYLINDER SET (4141/1640)

NO.	PART NO.	DESCRIPTION	Q'TY	SPEC.
1.		DUST RING	2	DH22.4
2.	1830029005	OIL SEAL SEAT	2	
3.		OIL SEAL	2	UHS 22.4
4.		OIL SEAL	2	GSW22.4x30x5
5.		O-RING	2	P42
6.		BEARING	2	DU1810
7.	2910002005	LEFT HYDRAULIC CYLINDER TOP HEAD	1	
8.		O-RING	2	P50
9.	2560005005	ANTI-COLLISION SLEEVE	2	
10.		O-RING	2	P30
11.		TURCITE-B	2	10x125L
12.		OIL SEAL	1	GSP45x35x4
13.		O-RING	1	P22.4
14.	2920004015	PISTON	1	
15.		TAPER PIN	2	#5x38L
16.	2790018005	PISTON ROD	1	1640
17.	2800016005	HYDRAULIC PIPE	1	1640
18.	1800029005	FIXING RING OF HYDRAULIC CYLINDER	1	
19.	2630045005	LOCK NUT	1	
20.	2910003015	RIGHT HYDRAULIC CYLINDER TOP HEAD	1	

TABLE REVERSING MECHANISM (3661)

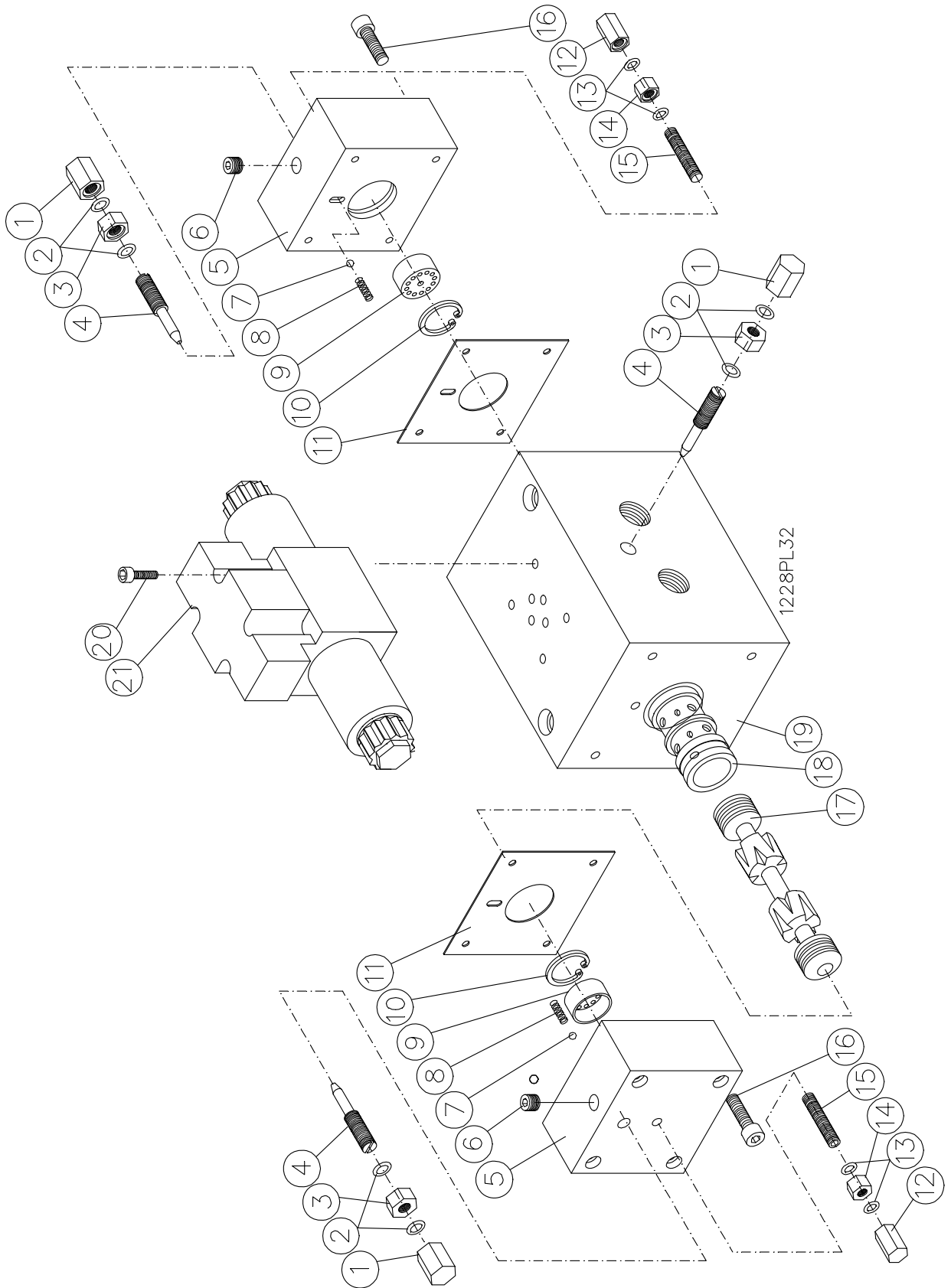
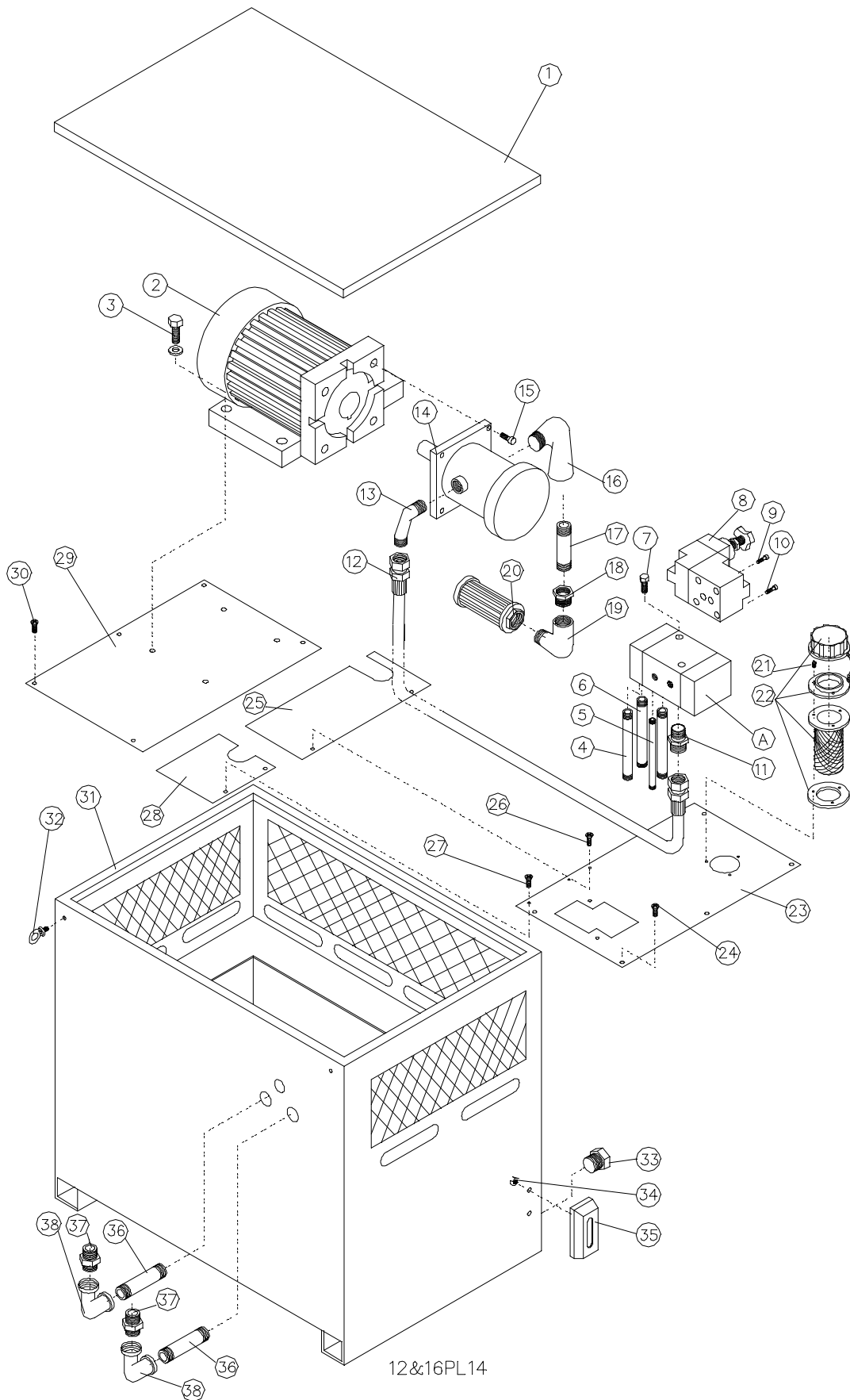


TABLE REVERSING MECHANISM (3661)

NO.	PART NO.	DESCRIPTION	Q'TY	SPEC.
1.	2640011005	LEAK-PROOF NUT	3	
2.		O-RING	6	P10
3.	2630013005	FIXING NUT	3	
4.	2830003005	SMALL THROTTLING SHAFT	3	
5.	2010004005	SIDE COVER OF REVERSING BODY	2	
6.		HOLE PLUG	2	1/8PT
7.		STEEL BALL	2	ϕ 5
8.	2700008005	SPRING	2	
9.	2890014005	TOP BLOCK OF REVERSING SHAFT	2	
10.		INNER RETAINING RING	2	ϕ 28
11.		ASBESTOS GASKET	1	95x90x1
12.	2640012005	LEAK-PROOF NUT	2	
13.		O-RING	4	P8
14.	2630016005	FIXING NUT	2	
15.		HEADLESS SCREW	2	M8x40L
16.		SOCK HEAD CAP SCREW	8	M6x40L
17.	1030067005	REVERSING SHAFT	1	
18.	1430047005	REVERSING SHAFT SLEEVE	1	
19.	2820003005	REVERSING BODY	1	
20.		SOCK HEAD CAP SCREW	4	M5x45L
21.		SOLENOID VALVE	1	DV24V

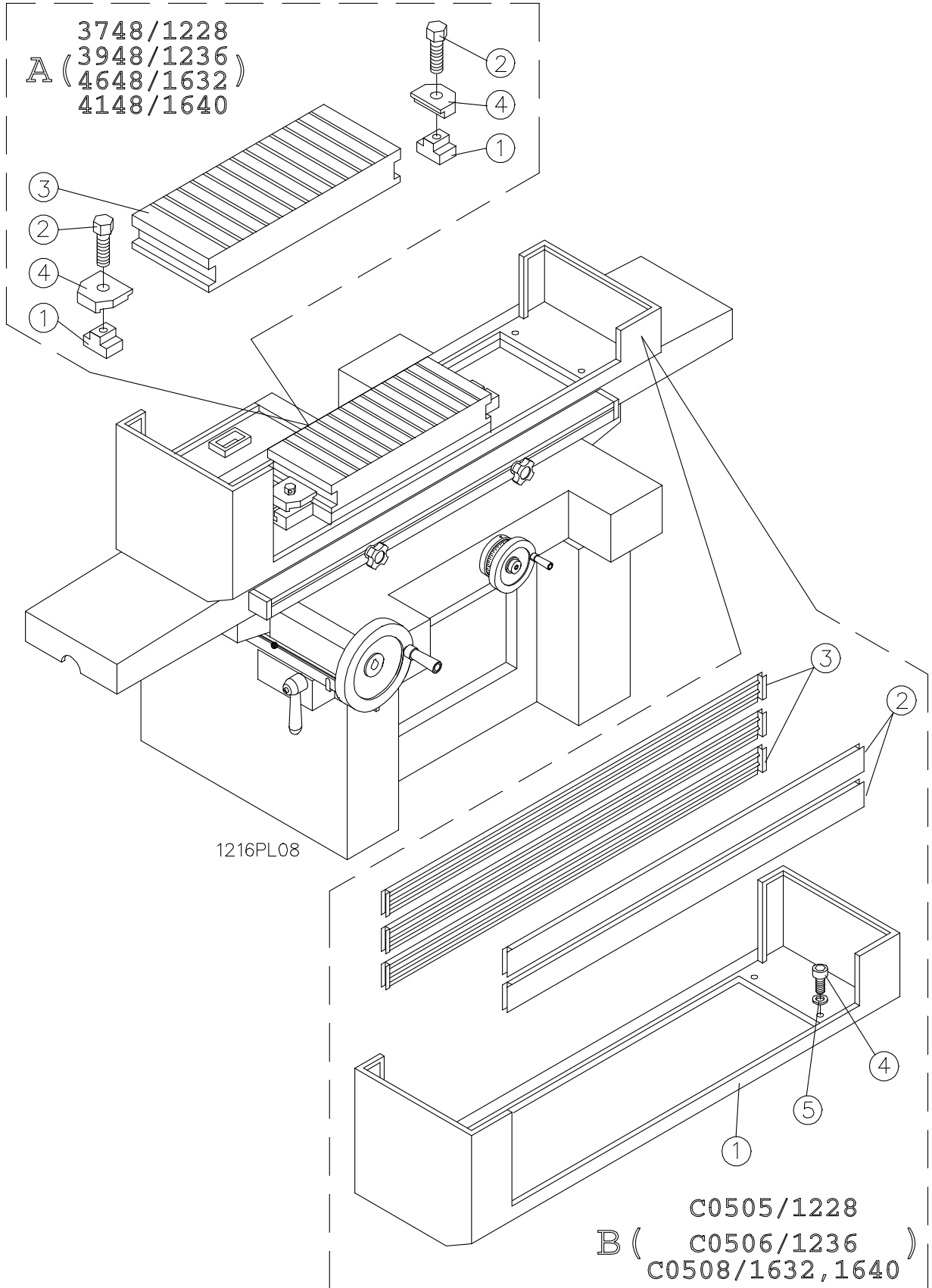
HYDRAULIC SYSTEM (366)



HYDRAULIC SYSTEM (366)

NO.	PART NO.	DESCRIPTION	Q'TY	SPEC.
1.	1910068005	UPPER PROTECTION COVER OF OIL TANK	1	
2.		HYDRAULIC MOTOR	1	3HP6P
3.		HEX HEAD SCREW	4	M10x20L
4.		STRAIGHT CONNECTION PIPE	1	1/2 "PTx6"L
5.		STRAIGHT CONNECTION PIPE	1	1/8 "PTx6"L
6.		STRAIGHT CONNECTION PIPE	2	3/8" PTx6"L
7.		HEX HEAD SCREW	2	M8x110L
8.		PRESSURE-REGULATING VALVE	1	RFG06-31
9.		SOCK HEAD CAP SCREW	2	M16x65L
10.		SOCK HEAD CAP SCREW	2	M12x55L
11.		HIGH PRESSURE PIPE	1	3/4"PTx3/4"PH
12.		HIGH PRESSURE PIPE	1	3/4"x570L
13.		HIGH PRESSURE PIPE 90°CONNECTION	1	3/4"PTx3/4"PH
14.		HYDRAULIC PUMP	1	40 CC/PRM
15.		SOCK HEAD CAP SCREW	4	M10x30L
16.		PIPE ELBOW	1	1"PT
17.		STRAIGHT CONNECTION PIPE	1	1" PTx13"L
18.		TRANSFER CONNECTION	1	1PT
19.		HIGH PRESSURE PIPE 90°CONNECTION	1	2"PT
20.		OIL FILTER	1	2" PT
21.		CROSS HEAD SCREW	3	3/16" Wx0.5"L
22.		OIL-FEEDING FILTER	1	
23.	2420030005	DIRECTIONAL VALVE FIXED PLATE	1	
24.		SOCK HEAD CAP SCREW	4	M6x15L
25.	2000108005	OIL TANK SUB-COVER	1	
26.		CROSS HEAD SCREW	2	M6x10L
27.		CROSS HEAD SCREW	2	M6x10L
28.	2000110005	OIL TANK SUB-COVER B	1	
29.	1810069005	FIXING PLATE	1	
30.		CROSS HEAD SCREW	5	M6x15L
31.	3230002015	OIL TANK	1	
32.		HANGING RING	4	5/16"W
33.		HOLE PLUG	2	1/2"PT
34.		NUT	2	M8
35.		OIL LEVEL GAGE	1	3"
36.		STRAIGHT CONNECTION PIPE	2	1/2PTx3.5"L
37.		HIGH PRESSURE PIPE CONNECTION	2	1/2PTx3/4PH
38.		PIPE ELBOW	2	1/2PTx1/2PT

CHUCK & SPLASH GUARD



CHUCK & SPLASH GUARD

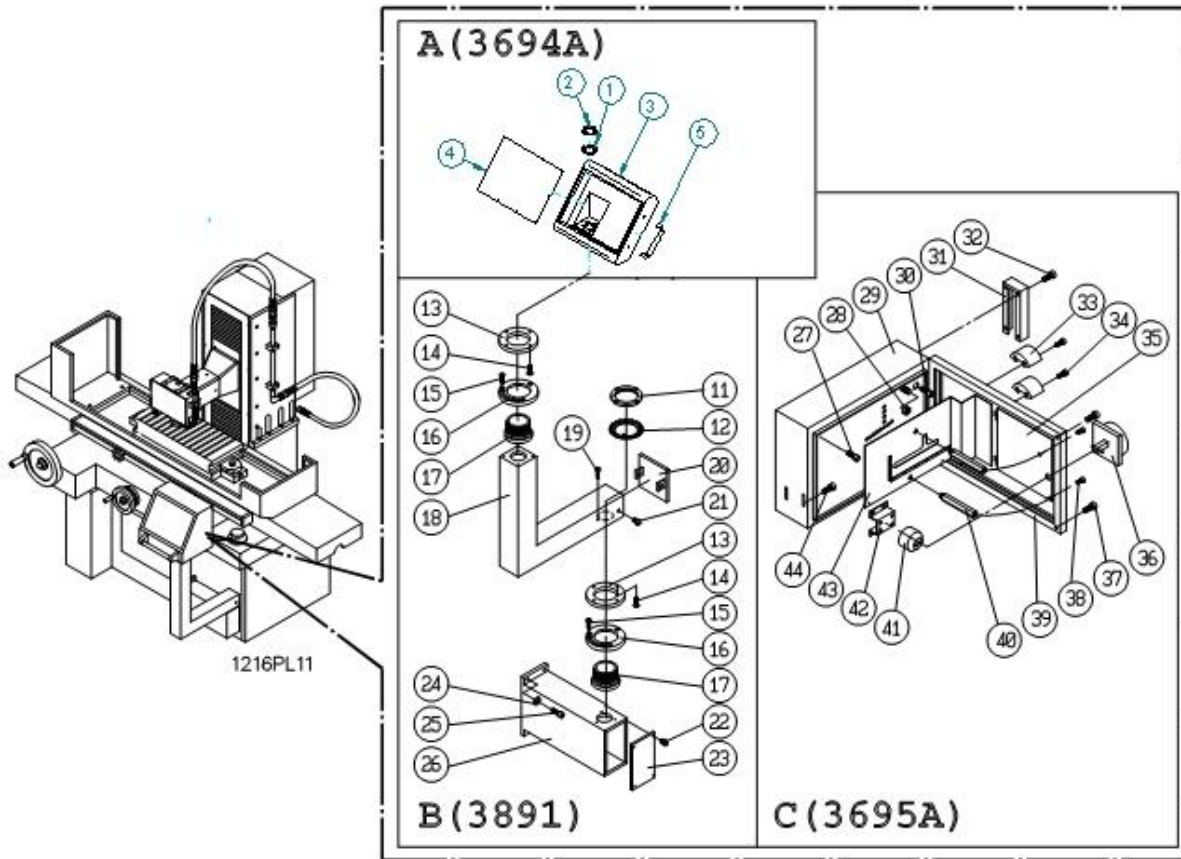
A: CHUCK OPTIONAL (3748/1428) (3948/1436) (4648/1632)(4148/1640)

NO.	PART NO.	DESCRIPTION	Q'TY	SPEC.
1.	2630046005	T-NUT	2	1428,1436
	2630046005	T-NUT	4	1632,1640
2.		HEX SCREW (M12x55L)	2	1428,1436
		HEX SCREW (M12x55L)	4	1632,1640
3.		CHUCK(300x700MM)	1	1428
		CHUCK(300x900MM)	1	1436
		CHUCK(400x800MM)	1	1632
		CHUCK(400x1000MM)	1	1640
4.		CHUCK FIXING BLOCK	2	1428,1436
		CHUCK FIXING BLOCK	4	1632,1640

B: SPLASH GUARD OPTIONAL (C0505/1428) (C0506/1436) (C0508/1632,1640)

NO.	PART NO.	DESCRIPTION	Q'TY	SPEC.
1.	3520066005	SPLASH GUARD(300x700)	1	1428
	3520069005	SPLASH GUARD(300x900)	1	1436
	3520076005	SPLASH GUARD(400x800,400x1000)	1	1632,1640
2.	2350016005	FRONT WATER-PROOF MOVABLE PLATE	2	1428
	3520028005	FRONT WATER-PROOF MOVABLE PLATE	2	1436,1632,1640
3.	2350017005	WATER PROOF MOVABLE PLATE	2	1428
	2350026005	WATER PROOF MOVABLE PLATE	2	1436,1632,1640
4.		SOCK HEAD CAP SCREW	4	M8x20L
5.		WASHER	4	D8

ELECTRICAL AND CONTROL BOX



ELECTRICAL AND CONTROL BOX

A: CONTROL BOX SET (3694B)(3694BN)

NO.	PART NO.	DESCRIPTION	Q'TY	SPEC.
1.	A18BA0AW12	LOCKED WASHER	1	AW12
2.	A12000AN12	LOCKED NUT	1	AN12
3.	3050075035	CONTROL BOX	1	
4.		CONTROL PANEL	1	
5.	J091UAGS20	HANDLE	1	AGS-200

B: SUPPORT ARM SEAT SET (4891)

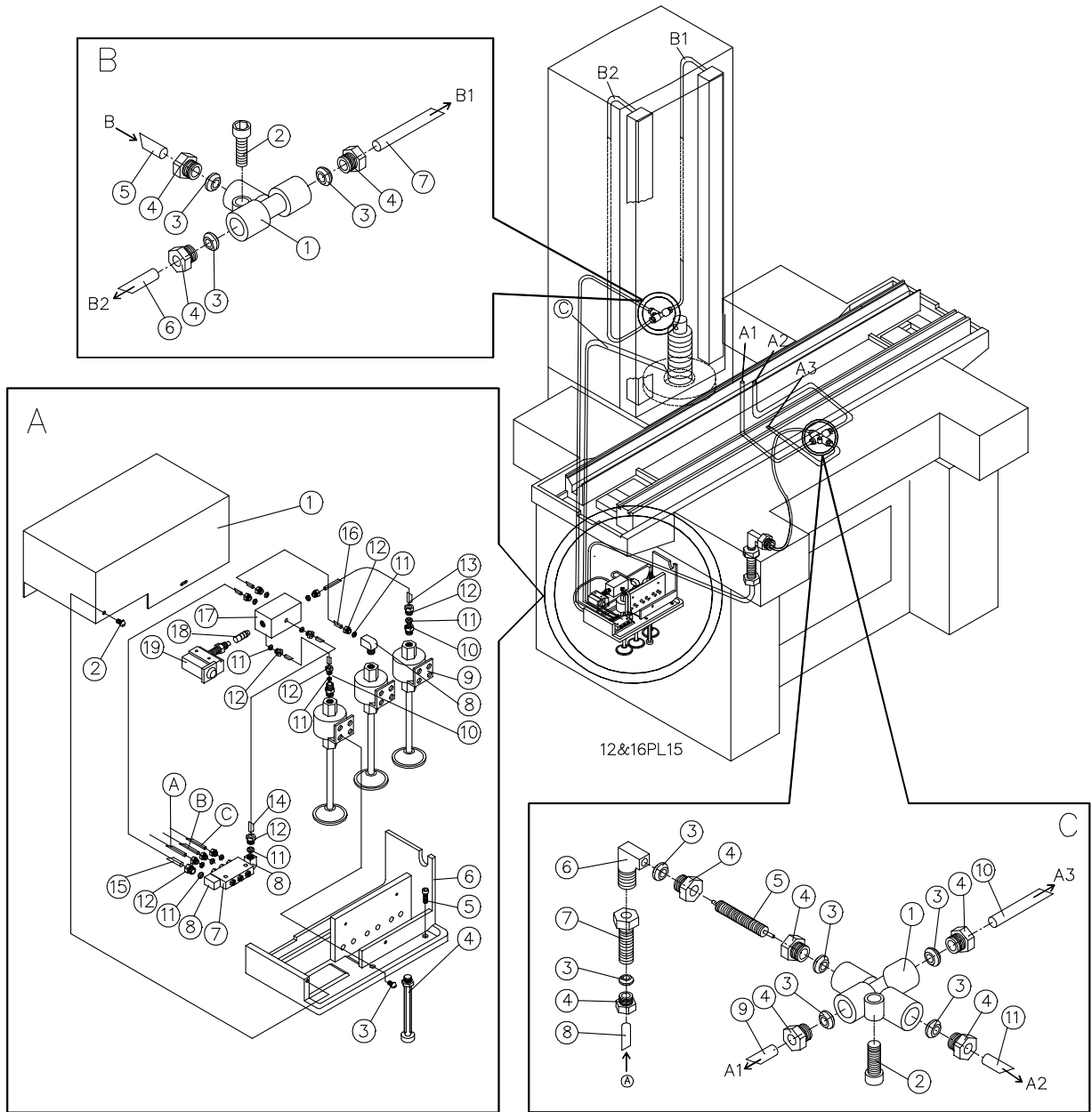
NO.	PART NO.	DESCRIPTION	Q'TY	SPEC.
11.	2640013005	FIXING NUT	2	(AN12)
12.		WASHER	2	MB12
13.	2420035005	FIXING PLATE OF TURNING SHAFT	2	
14.		CROSS FLATE HEAD SCREW	3	M5x8L
15.		SOCK HEAD CAP SCREW	3	M6x14L
16.	0640044005	HOLDING-DOWN PLATE OF TURNING SHAFT	2	
17.	3130011005	TURNING SHAFT OF CONTROL BOX	2	
18.	3090009005	CONTROL BOX SUPPORT ARM	1	
19.		SOCK HEAD CAP SCREW	3	M6x14L
20.	2000119005	SIDE SEALED COVER OF SUPPORT ARM	1	
21.		CROSS HEAD SCREW	2	M6x10L
22.		CROSS HEAD SCREW	4	M4x10L
23.	2000120005	SIDE SERLED COVER OF SUPPORT ARM	1	
24.		WASHER	4	ϕ 8
25.		SOCK HEAD CAP SCREW	4	M8x30L
26.	3160004015	FIXING PLATE OF SUPPORT ARM	1	

C: ELECTRIC BOX SET (3695A)

NO.	PART NO.	DESCRIPTION	Q'TY	SPEC.
27.		SOCK HEAD CAP SCREW	4	M8x16L
28.		NUT	4	M8
29.	3000022005	ELECTRICAL BOX	1	
30.		SOCK HEAD CAP SCREW	4	M8x12L
31.	3520070005	SPLASH COVER	1	
32.		SOCK HEAD CAP SCREW	4	M4XP0.7L
33.	3520011005	SPLASH COVER	2	
34.		SOCK HEAD CAP SCREW	4	M4XP0.7L
35.	3030026005	ELECTRICAL FIXING PLATE	1	
36.		LOCK	2	
37.		SOCK HEAD CAP SCREW	2	M6x25L
38.		SOCK HEAD CAP SCREW	2	M6x25L
39.		RUBBER	1	
40.	1440034005	COPPER BAR2	2	
41.	2410060005	BACK-UP PLATE	1	

NO.	PART NO.	DESCRIPTION	Q'TY	SPEC.
42.	2030004005	ELECTRIC BOX GROUND STRAP	1	
43.		SOCK HEAD CAP SCREW	1	M10x30L

LUBRICATION SYSTEM (368)



LUBRICATION SYSTEM (368)

A:

NO.	PART NO.	DESCRIPTION	Q'TY	SPEC.
1.	1910069005	COVER	1	
2.		SOCK HEAD CAP SCREW	2	M5x8L
3.		SOCK HEAD CAP SCREW	6	M6x15L
4.		OIL LEVEL SWITCH	1	FS-8102
5.		SOCK HEAD CAP SCREW	2	M6x20L
6.	1820016005	PUMP FIXED STAND	1	
7.		OIL SEPARATOR	1	
8.		ELBOW CONNECTOR 90°	3	PH-602
9.		PUMP(AC110V)	3	
10.		STRAIGHT ADAPTER	2	PD602
11.		COMPRESSION SLEEVE	10	PB-6
12.		COMPRESSION SLEEVE	10	PA-6
13.		ALUMINIUM TUBING	1	φ 6
14.		ALUMINIUM TUBING	1	φ 6
15.		ALUMINIUM TUBING	1	φ 6
16.		ALUMINIUM TUBING	2	φ 6
17.		AB TYPE OIL REGULATING MANIFOLD	1	B-3
18.	1730001005	SENSOR FIXED SUPPORT	1	
19.	2250071005	SENSOR SLIDING STEM	1	
20.		SENSOR	1	TZ-7310

B:

NO.	PART NO.	DESCRIPTION	Q'TY	SPEC.
1.		JUNCTION 3-WAY	1	PKD-4
2.		SOCK HEAD CAP SCREW	1	M5x20L
3.		COMPRESSION SLEEVE	3	PB-4
4.		COMPRESSION BUSHING	3	PA-4
5.		ALUMINIUM TUBING	1	φ 4
6.		ALUMINIUM TUBING	1	φ 4
7.		ALUMINIUM TUBING	1	φ 4

C:

NO.	PART NO.	DESCRIPTION	Q'TY	SPEC.
1.		JUNCTION 4-WAY	1	PJD-4
2.		SOCK HEAD CAP SCREW	1	M5x20L
3.		COMPRESSION SLEEVE	5	PB-4
4.		COMPRESSION BUSHING	5	PA-4
5.		HOSE ASSEMBLY	1	φ 4x400L
6.		ELBOW CONNECTOR 90°	1	PH-401
7.		FIXED JOINT BOLT	1	PM-104-1
8.		ALUMINIUM TUBING	1	φ 4
9.		ALUMINIUM TUBING	1	φ 4

NO.	PART NO.	DESCRIPTION	Q'TY	SPEC.
10.		ALUMINIUM TUBING	1	ϕ 4
11.		ALUMINIUM TUBING	1	ϕ 4