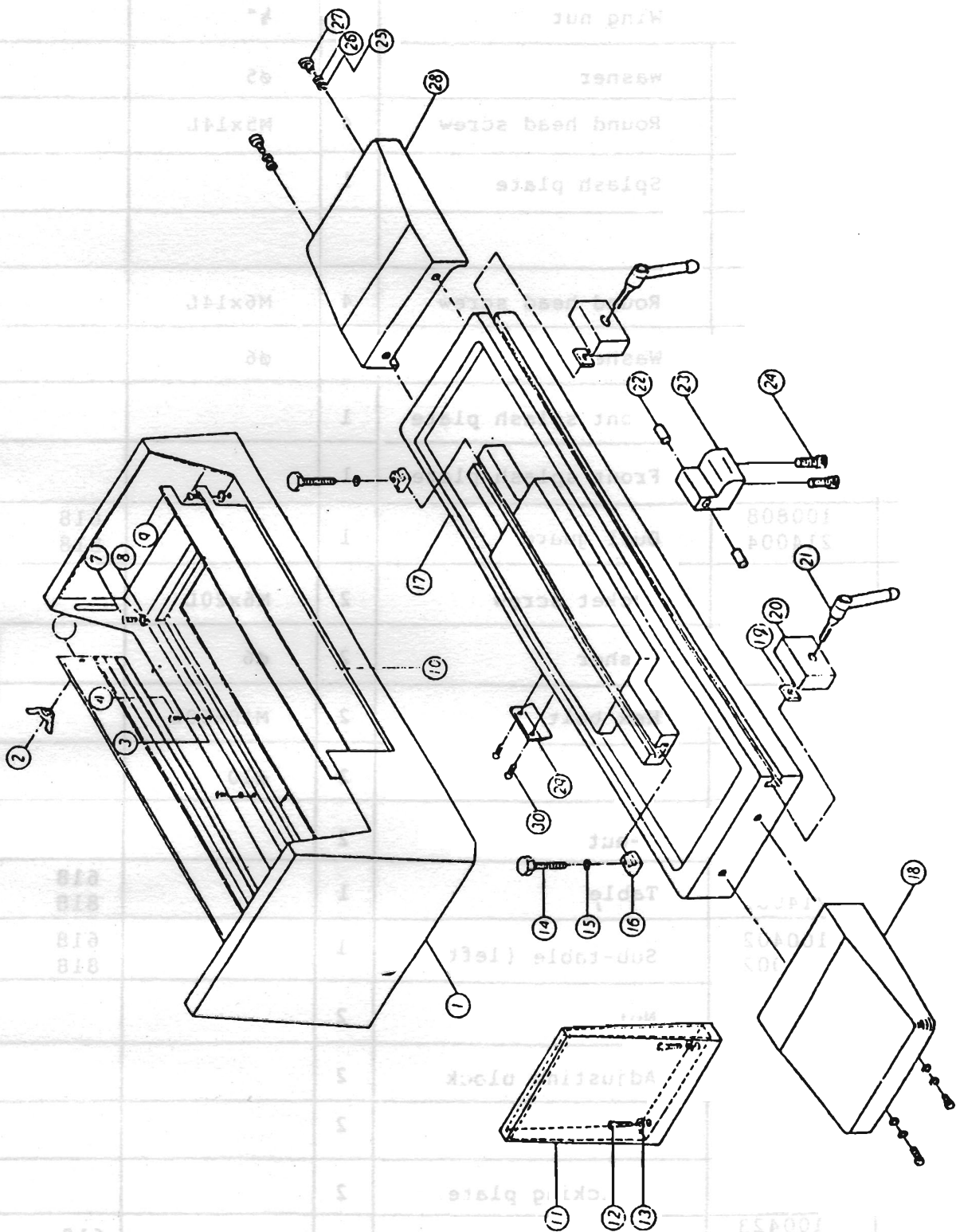


TABLE

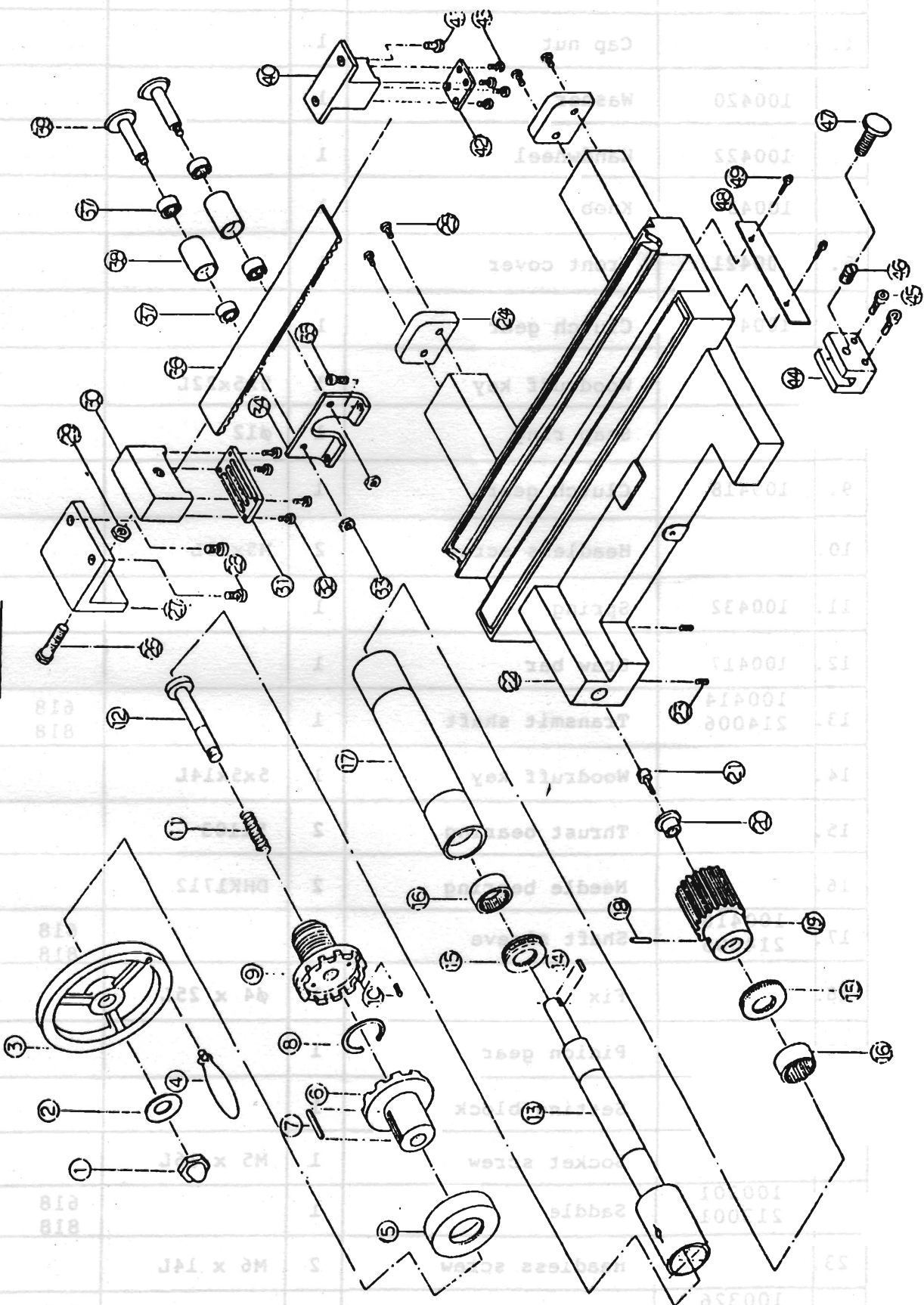


TABLE

NO.	PART NO.	DESCRIPTION	Q'TY	SPECIFICATION	REMARKS
1.	100809 100822	Splash guard	1		618 818
2.		Wing nut	4	½"	
3.		Washer	4	ø5	
4.		Round head screw	4	M5x14L	
5.	100410	Splash plate	1		
7.		Round head screw	4	M6x14L	
8.		Washer	4	ø6	
9.	100411	Front splash plate	1		
10.	100411	Front splash plate	1		
11.	100808 214004	Dust guard	1		618 818
12.		Socket screw	2	M6x20L	
13.		Washer	2	ø6	
14.		Hex bolt	2	M10x50L	
15.		Flat washer	2	ø10	
16.	100432	T-nut	2		
17.	100401 214001	Table	1		618 818
18.	100402 214002	Sub-table (left)	1		618 818
19.	100426	Nut	2		
20.	100425	Adjusting block	2		
21.	100433	Handle	2		
22.		Stricking plate	2		
23.	100423 214007	Setting block	1		618 818
24.		Hex. screw	2	M8x20L	



SADDLE



SADDLE

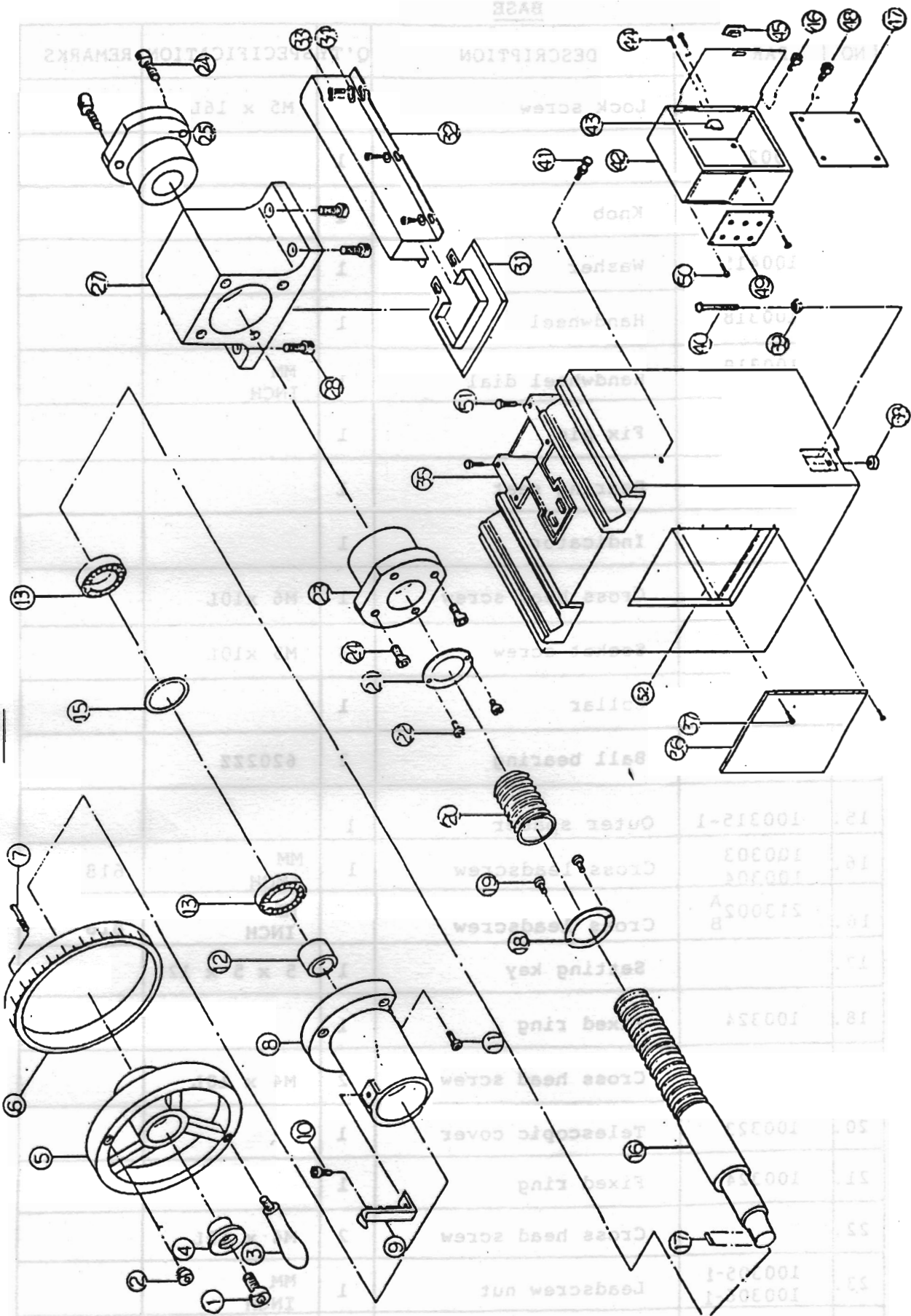
NO.	PART NO.	DESCRIPTION	Q'TY	SPECIFICATION	REMARKS
1.		Cap nut	1		
2.	100420	Washer	1		
3.	100422	Handwheel	1		
4.	100433	Knob	1		
5.	100421	Front cover	1		
6.	100419	Clutch gear	1		
7.		Woodruff key	1	5x5x22L	
8.		Snap ring	1	ø12	
9.	100418	Clutch gear	1		
10.		Headless screw	2	M5x10L	
11.	100432	Spring	1		
12.	100417	Draw bar	1		
13.	100414 214006	Transmit shaft	1		618 818
14.		Woodruff key	1	5x5x14L	
15.		Thrust bearing	2	51103	
16.		Needle bearing	2	DHK1712	
17.	100416 214005	Shaft sleeve	1		618 818
18.		Fix pin	1	ø4 x 25L	
19.	100413	Pinion gear	1		
20.	100415	Setting block	1		
21.		Socket screw	1	M5 x 16L	
22.	100301 213001	Saddle	1		618 818
23.		Headless screw	2	M6 x 14L	
24.	100326 213005	Slideway stopper	2		618 818

SADDLE

NO.	PART NO.	DESCRIPTION	Q'TY	SPECIFICATION	REMARKS
25.		Socket screw	4	M8 x 14L	
26.		Socket screw	1	M8 x 50L	
27.	100403	Setting bracket	1		
28.		Socket screw	2	M6 x 20L	
29.		Nut	1	M8	
30.	100404	Belt seat	1		
31.	100405	Press plate	1		
32.		Flat head screw	4		
33.		Nut	2	M8	
34.	100407 214008	Bracket	1		618 818
35.		Socket screw	2	M6 x 14L	
36.	100406	Timing belt	1	T5 x 720L	
37.		Needle bearing	4	DHK1212	
38.	100409	Bushing	2		
39.	100408	Gear shaft	2		
40.	100411	Belt seat	1		
41.		Socket screw	1	M6 x 16L	
42.	100405	Press plate	1		
43.		Socket screw	4	M4 x 12L	
44.	100310	Travel setting block	1		
45.		Socket screw	2	M5 x 25L	
46.	100313	Screw	1		
47.	100312	Lock screw	1		
48.	100311 213004	Covering plate	1		618 818



BASE





BASE

NO.	PART NO.	DESCRIPTION	Q'TY	SPECIFICATION	REMARKS
1.		Lock screw	1	M5 x 16L	
2.	100217	Lock nut	1		
3.	100232	Knob	1		
4.	100415	Washer	1		
5.	100318	Handwheel	1		
6.	100319 100320	Handwheel dial	1	MM INCH	
7.	100218	Fix pin	1		
8.	100314	Bearing seat	1		
9.	100321	Indicator	1		
10.		Cross head screw	1	M6 x10L	
11.		Socket screw	3	M5 x10L	
12.	100317	Collar	1		
13.		Ball bearing	<u>2</u>	6202ZZ	
15.	100315-1	Outer spacer	1		
16.	100303 100304	Cross leadscrew	1	MM INCH	618
16.	213002 <sup>A</sup> <sub>B</sub>	Cross leadscrew		MM INCH	818
17.		Setting key	1	5 x 5 x 12L	
18.	100324	Fixed ring	1		
19.		Cross head screw	2	M4 x 10L	
20.	100323	Telescopic cover	1		
21.	100324	Fixed ring	1		
22.		Cross head screw	2	M4 x 10L	
23.	100305-1 100306-1	Leadscrew nut	1	MM INCH	
24.		Socket screw	4	M5 x 14L	

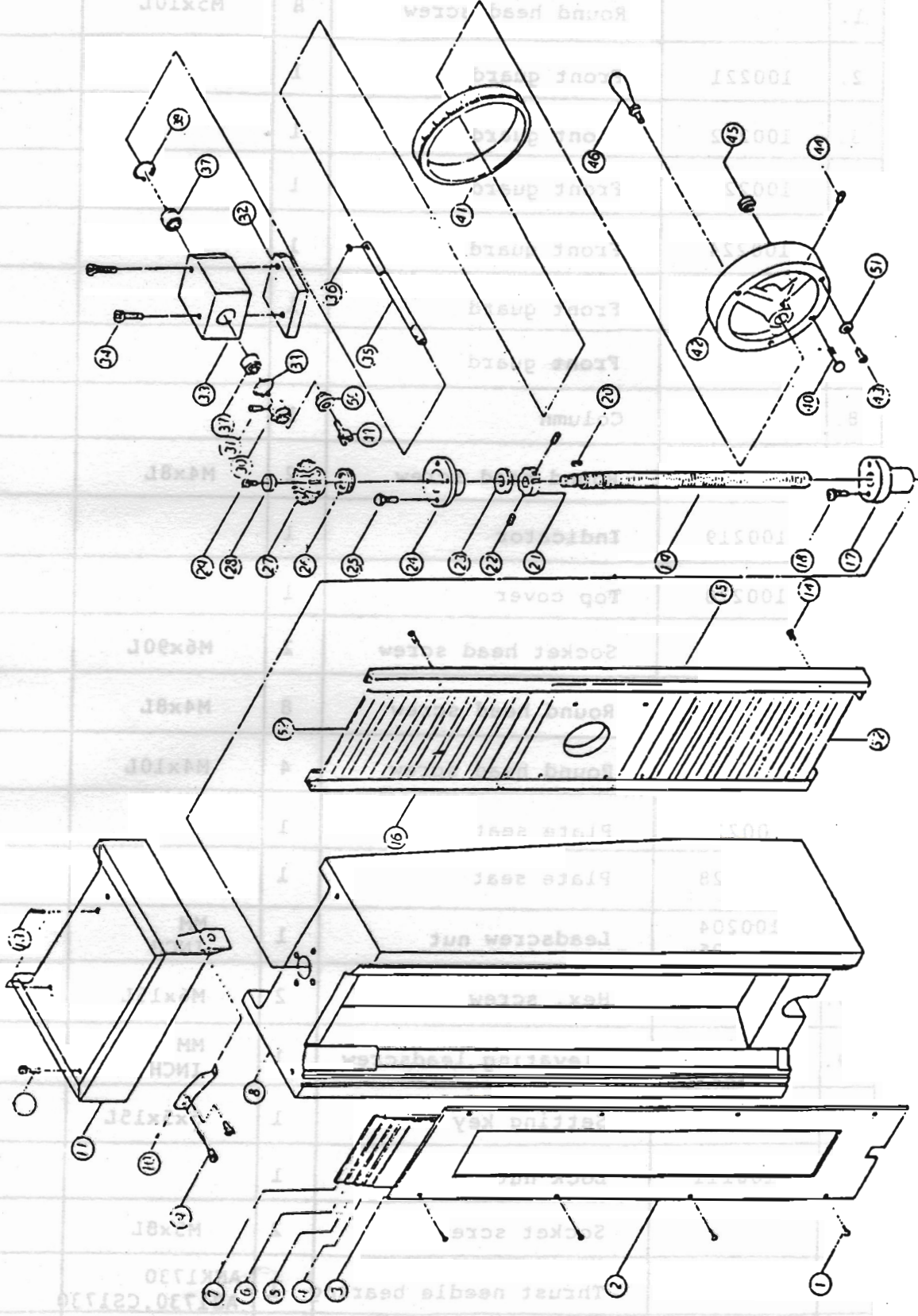
BASE

NO.	PART NO.	DESCRIPTION	Q'TY	SPECIFICATION	REMARKS
25.	100307-1 100308-1	Nut	1	MM INCH	
27.	100309-1	Leadscrew seat	1		
28.		Socket screw	4	M8 x 40L	
31.	100322	Tank cover	1		
32.	100302 213003	Leadscrew metal cover	1		618 818
33.		Cross head screw	6	M5 x 10L	
34.		Washer	6	ø5	
35.	100501 215001	Base	1		618 818
36.	100502	Door of tool cabinet	1		
37.		Cross head screw	5	M5 x 10L	
38.	100506	Levelling block	3 5		618 818
39.		Lock nut	3 5	M22	618 818
40.	100505	Levelling screw	3 5		618 818
41.	100504	Lifting bolt	4		
42.	100901	Control box	1		
43.	100903	Switch bracket	1		
44.		Cross head screw	2	M5 x 10L	
45.	100901-1	Door lock	1		
46.		Socket screw	4	M8 x 14L	
47.	100902	Electrical board	1		
48.		Socket screw	4	M6 x 8L	

BASE

NO.	PART NO.	DESCRIPTION	Q'TY	SPECIFICATION	REMARKS
49.	101001	Operation panel	1		
50.		Cross head screw	4	M4 x 10L	
51.		Hex screw	4	M16 x 60L	
52.	100503	Wooden board	1		

COLUMN



COLUMN

NO.	PART NO.	DESCRIPTION	Q'TY	SPECIFICATION	REMARKS.
1.		Round head screw	8	M5x10L	
2.	100221	Front guard	1		
3.	100222	Front guard	1		
4.	100223	Front guard	1		
5.	100224	Front guard	1		
6.	100225	Front guard	1		
7.	100226	Front guard	1		
8.	100201	Column	1		
9.		Round head screw	2	M4x8L	
10.	100219	Indicator	1		
11.	100220	Top cover	1		
12.		Socket head screw	2	M6x90L	
13.		Round head screw	8	M4x8L	
14.		Round head screw	4	M4x10L	
15.	100227	Plate seat	1		
16.	100228	Plate seat	1		
17.	100204 100205	Leadscrew nut	1	MM INCH	
18.		Hex. screw	2	M6x15L	
19.	100202 100203	Elevating leadscrew	1	MM INCH	
20.		Setting key	1	5x5x15L	
21.	100111	Lock nut	1		
22.		Socket screw	2	M5x8L	
23.		Thrust needle bearing	1	ANK1730 AS1730, CS1730	
24.	100207	Bearing seat	1		

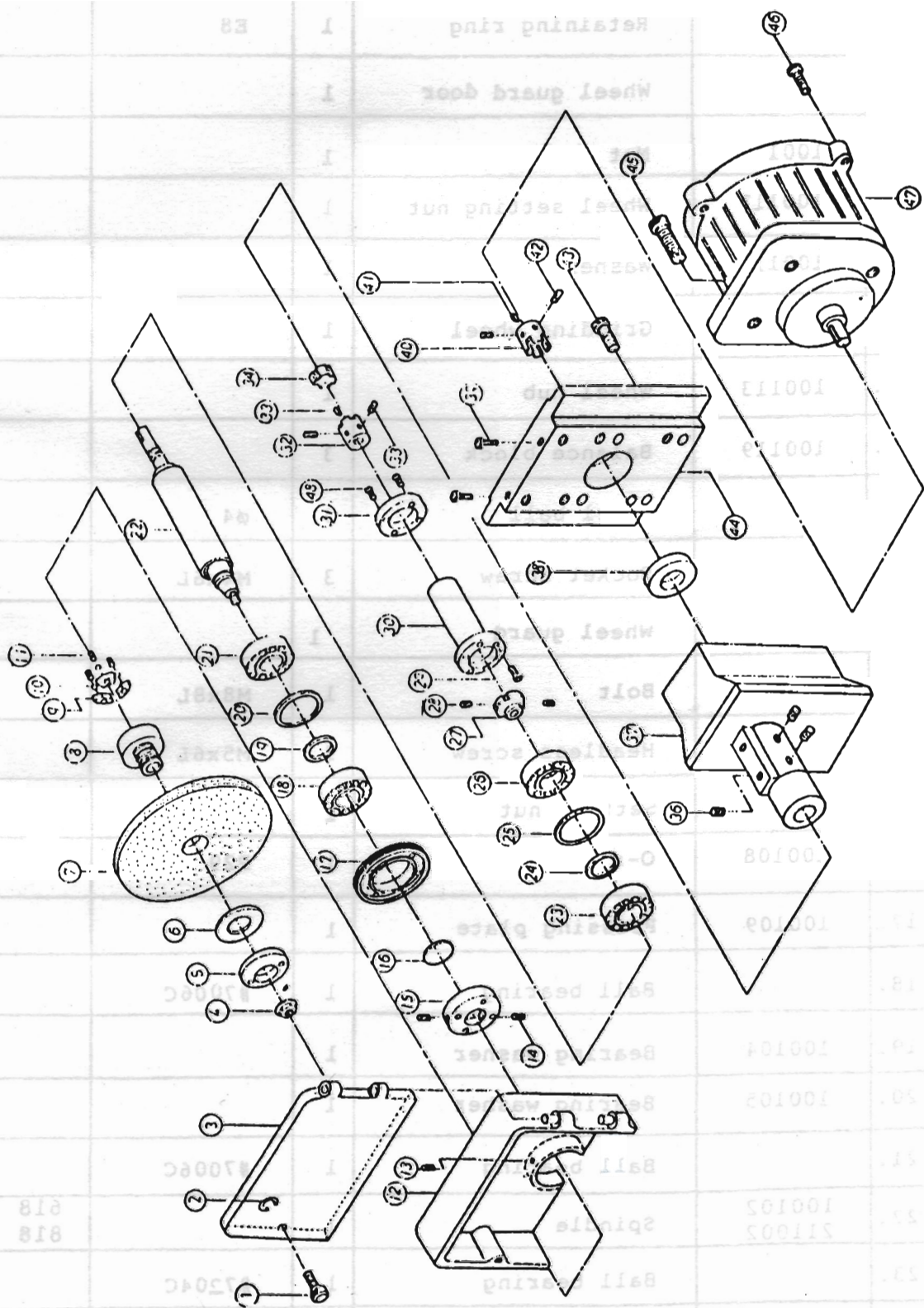
COLUMN

NO.	PART NO.	DESCRIPTION	Q'TY	SPECIFICATION	REMARKS
25.		Hex. screw	4	M5x15L	
26.		Thrust ball bearing	1	51103	
27.	100209	Bevel gear	1		
28.	100208	Washer	1		
29.		Socket screw	1	M6x16L	
30.	100210	Pinion gear	1		
31.		Taper pin	1	#1x27L	
32.	100235	Pad of gear box	1		
33.	100213-1	Shaft seat	1		
34.		Hex. screw	2	M8x75L	
35.	100211-1	Shaft	1		
36.		Setting key	1	4x4x12L	
37.		Ball bearing	2	6002NR	
38.					
39.		Retaining ring	2	Ø 32	
40.	100218	Bolt	1		
41.	100215 100216	Index disc	1	MM INCH	
42.	100231	Hand wheel	1		
43.		Socket screw	2	M4x8x2	
44.		Socket screw	2	M6x10L	
45.	100217	Setting nut	1		
46.	100232	Adjusting handle	1		
47.					
48.					

COLUMN

NO.	PART NO.	DESCRIPTION	Q'TY	SPECIFICATION	REMARKS
49.		Hex Screw	1	M5 x 14L	
50.	100234	Washer	1		
51.		Flat washer	2	ø4x2	
52.	100229	Telescopic cover	2		
		Socket screw	1		
		Pinion gear	1	100210	
		Tap pin	1		
		Pin of gear box	1	100235	
		Ball gear	1		
		Hex. screw	2		
		State	1	100211	
		Setting key	1		
			2		
		Retaining ring	2		
		Ball		100218	
		Index disc		100216	
		Hand wheel	1	100231	
		Socket screw	2		
		Socket screw			
		Socket nut		100217	
		Adjusting handle			

SPINDLE



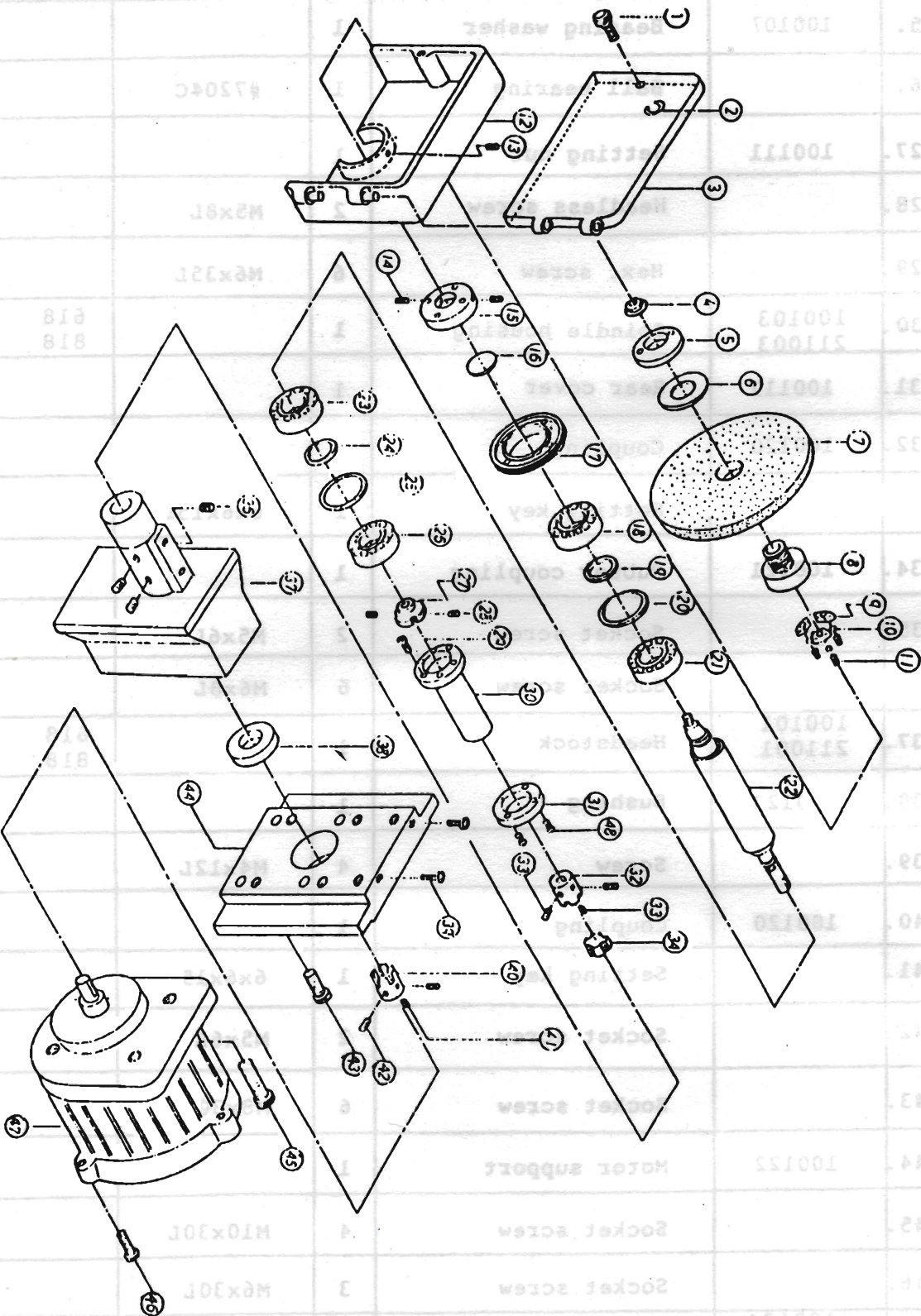


SPINDLE

NO.	PART NO.	DESCRIPTION	Q'TY	SPECIFICATION	REMARKS
1.	100127	Lock screw	1		
2.		Retaining ring	1	E8	
3.	100125	Wheel guard door	1		
4.	100115	Nut	1		
5.	100117	Wheel setting nut	1		
6.	100116	Washer	1		
7.	100130	Grinding wheel	1		
8.	100113	Wheel hub	1		
9.	100119	Balance block	3		
10.		Steel ball	3	ø4	
11.		Socket screw	3	M4x6L	
12.	100126	Wheel guard	1		
13.		Bolt	1	M8x8L	
14.		Headless screw	2	M5x6L	
15.	100110	Setting nut	1		
16.	100108	O-ring	1	P29	
17.	100109	Pressing plate	1		
18.		Ball bearing	1	#7006C	
19.	100104	Bearing washer	1		
20.	100105	Bearing washer	1		
21.		Ball bearing	1	#7006C	
22.	100102 211002	Spindle	1		618 818
23.		Ball bearing	1	#7204C	
24.	100106	Bearing washer	1		

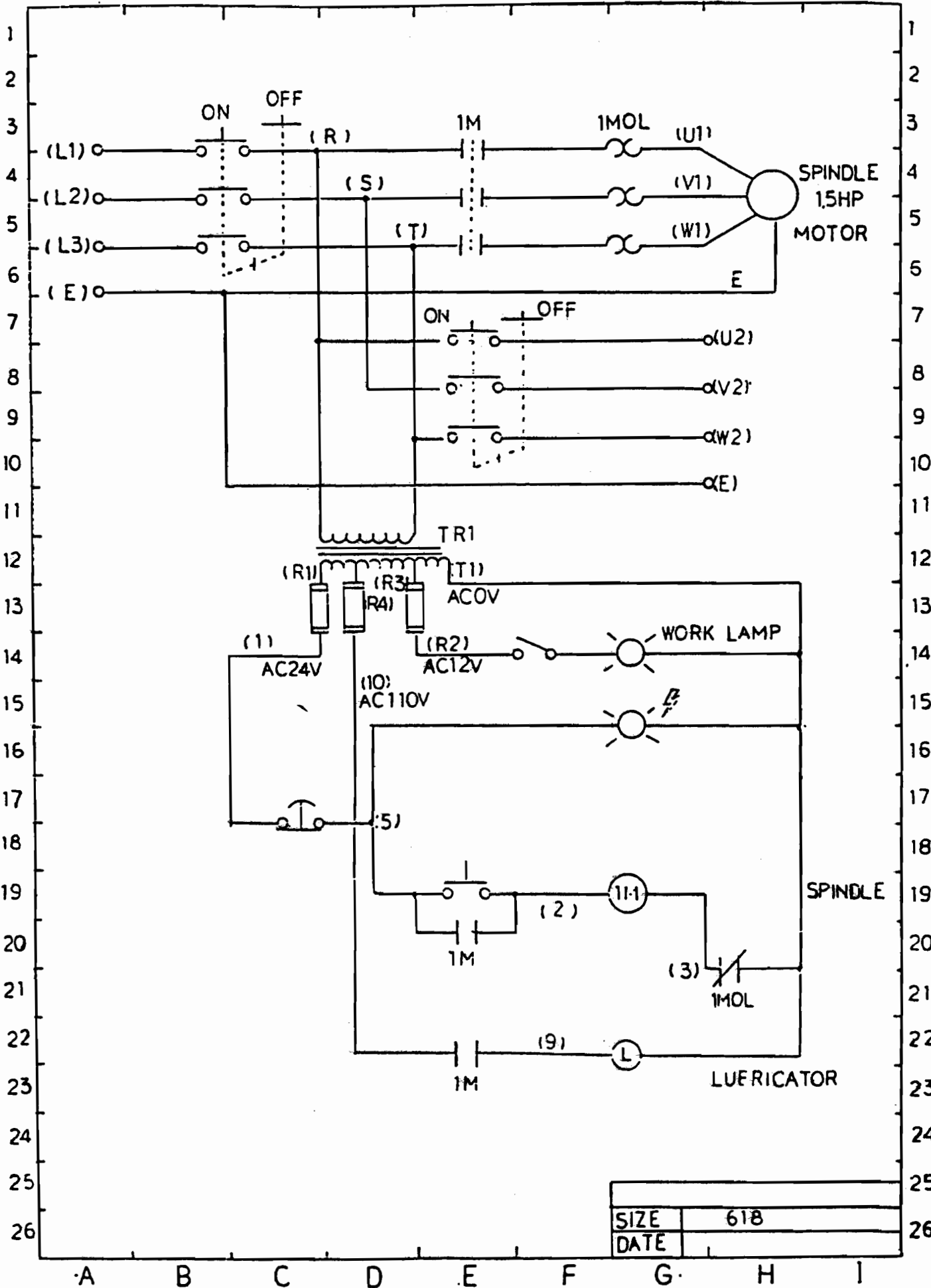
SPINDLE

NO.	PART NO.	DESCRIPTION	Q'TY	SPECIFICATION	REMARKS
25.	100107	Bearing washer	1		
26.		Ball bearing	1	#7204C	
27.	100111	Setting nut	1		
28.		Headless screw	2	M5x8L	
29.		Hex. screw	6	M6x35L	
30.	100103 211003	Spindle housing	1		618 818
31.	100112	Rear cover	1		
32.	100120	Coupling	1		
33.		Setting key	1	6x6x15L	
34.	100121	Rubber coupling	1		
35.		Socket screw	2	M5x6L	
36.		Socket screw	6	M6x8L	
37.	100101 211001	Headstock	1		618 818
38.	100123	Bushing	1		
39.		Screw	4	M4x12L	
40.	100120	Coupling	1		
41.		Setting key	1	6x6x15L	
42.		Socket screw	2	M5x6L	
43.		Socket screw	6	M8x30L	
44.	100122	Motor support	1		
45.		Socket screw	4	M10x30L	
46.		Socket screw	3	M6x30L	
47.	100124 211004	Motor	1	1.5HP	618 818
48.		Round head screw	4	M6x16L	



SPINDLE

ELECTRICAL DIAGRAM



SIZE	618
DATE	