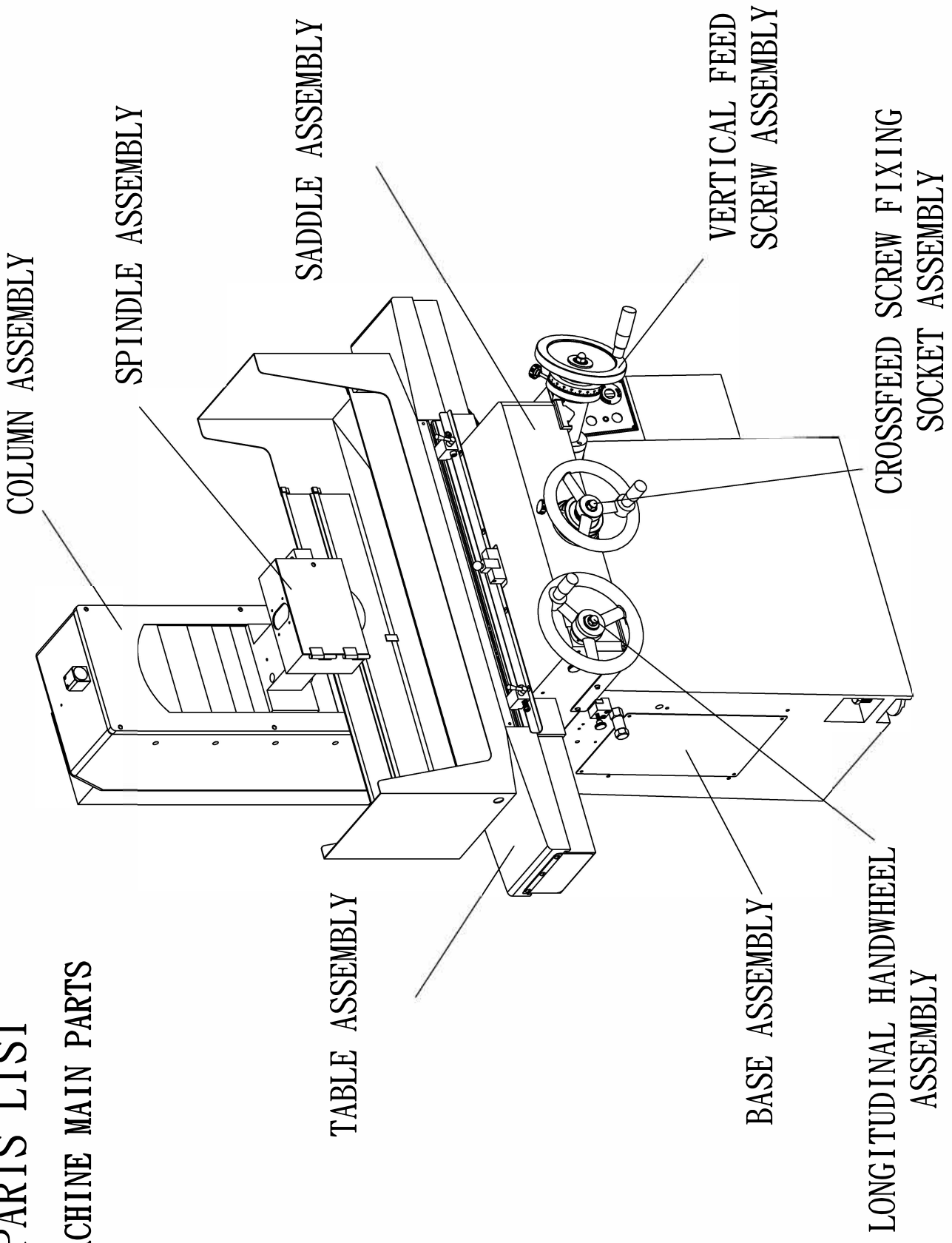
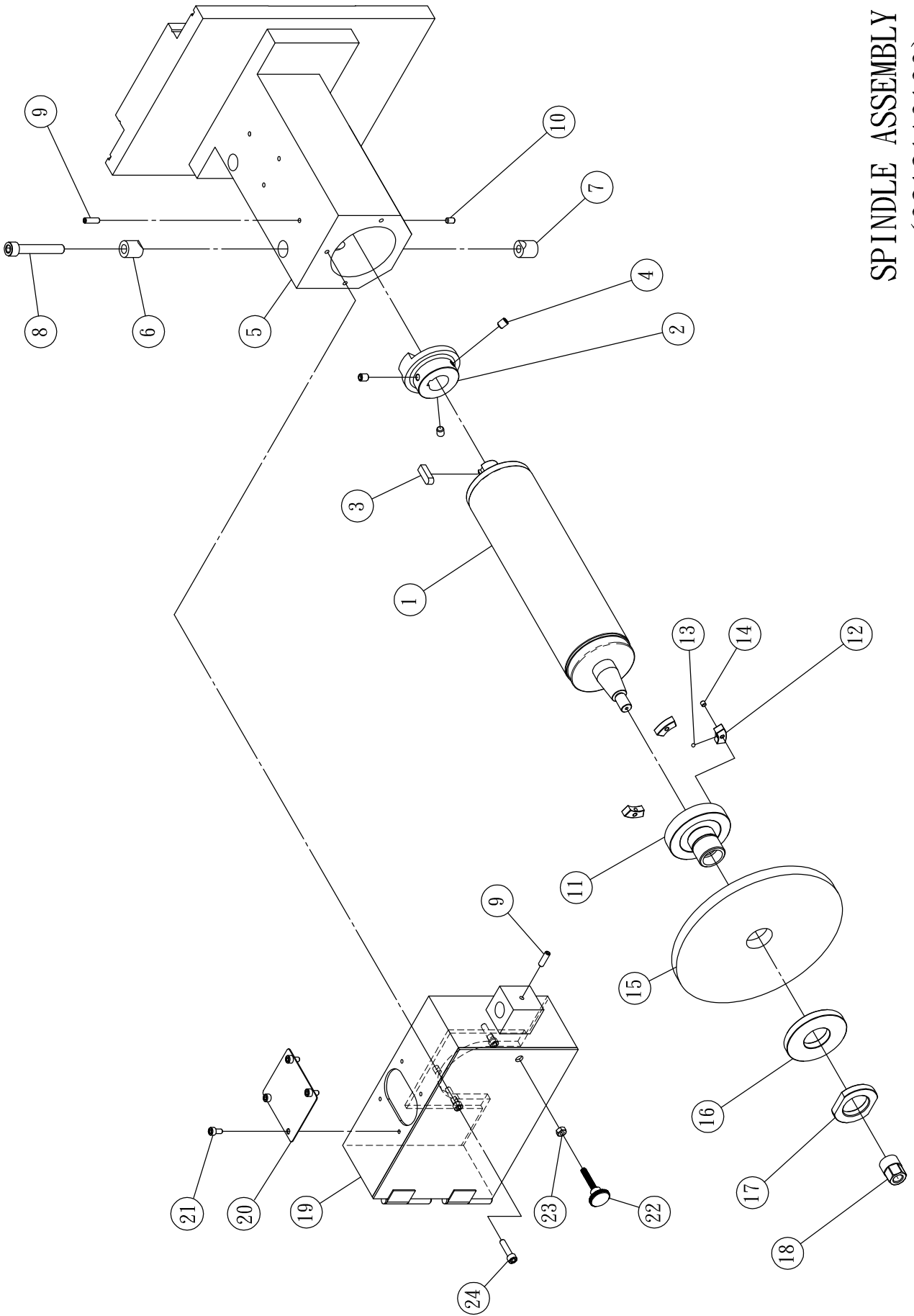


III. PARTS LIST

MACHINE MAIN PARTS



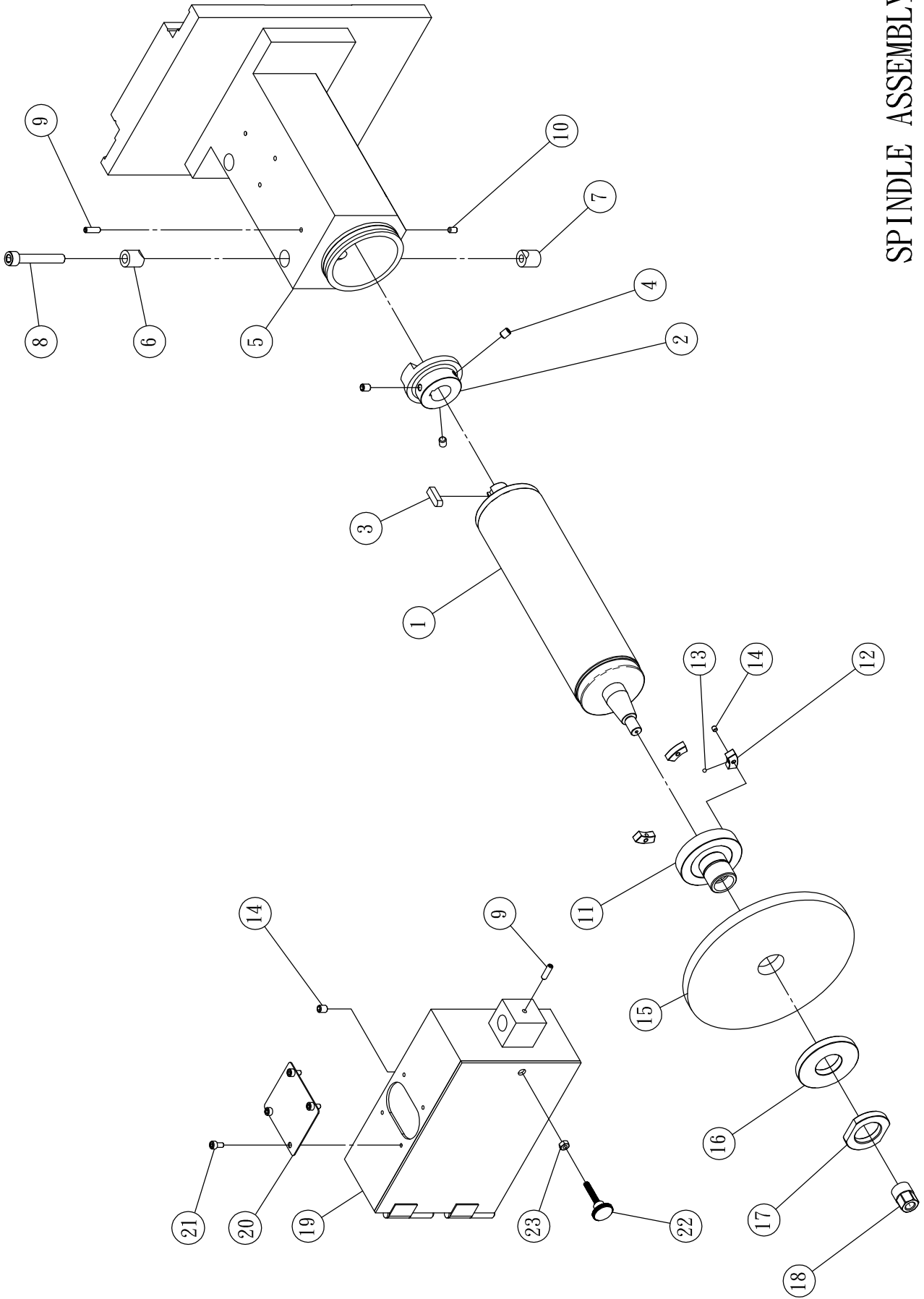
SPINDLE ASSEMBLY
(08181A0100)



SPINDLE ASSEMBLY (08181A0100)

NO.	DRAWING NO. /SPEC.	DESCRIPTION	QTY	NOTE
1	08181A0100	Spindle	1	
2	0618101100	Motor coupling	1	
3	KEYS080725	Pin	1	8x7x25
4	BHU0081210	Inner hexagonal headless screw	3	M8-10L
5	081810010A	Spindle housing	1	
6	06181010A0	Spindle fixing ring A	2	
7	06181010B0	Spindle fixing ring B	2	
8	BH00101560	Inner hexagonal screw	2	M10x1.5Px60L
9	BHU0061020	Inner hexagonal headless screw	3	M6-20L
10	BHU0061010	Inner hexagonal headless screw	2	M6-10L
11	FA0010A350	Wheel flange	1	
12	FA0010B350	Balancing block	3	
13	SB00000004	Steel ball	3	∅ 4
14	BHU0050805	Inner hexagonal headless screw	3	M5-5L
15	WH00205130	Grinding wheel	1	
16	FA0010C350	Flange spacer	1	
17	FA0010D350	Flange fixing ring	1	
18	FA0010E350	Tightening nut	1	
19	0618100100	Wheel guard	1	
20	06181001B0	Wheel guard top cover	1	
21	BH00050810	Inner hexagonal screw	4	M5x0.8Px10L
22	3060405400	Fixing knob	1	
23	FA0010E350	Nut	1	M6
24	BH00061025	Inner hexagonal screw	3	M6x1.0Px25L

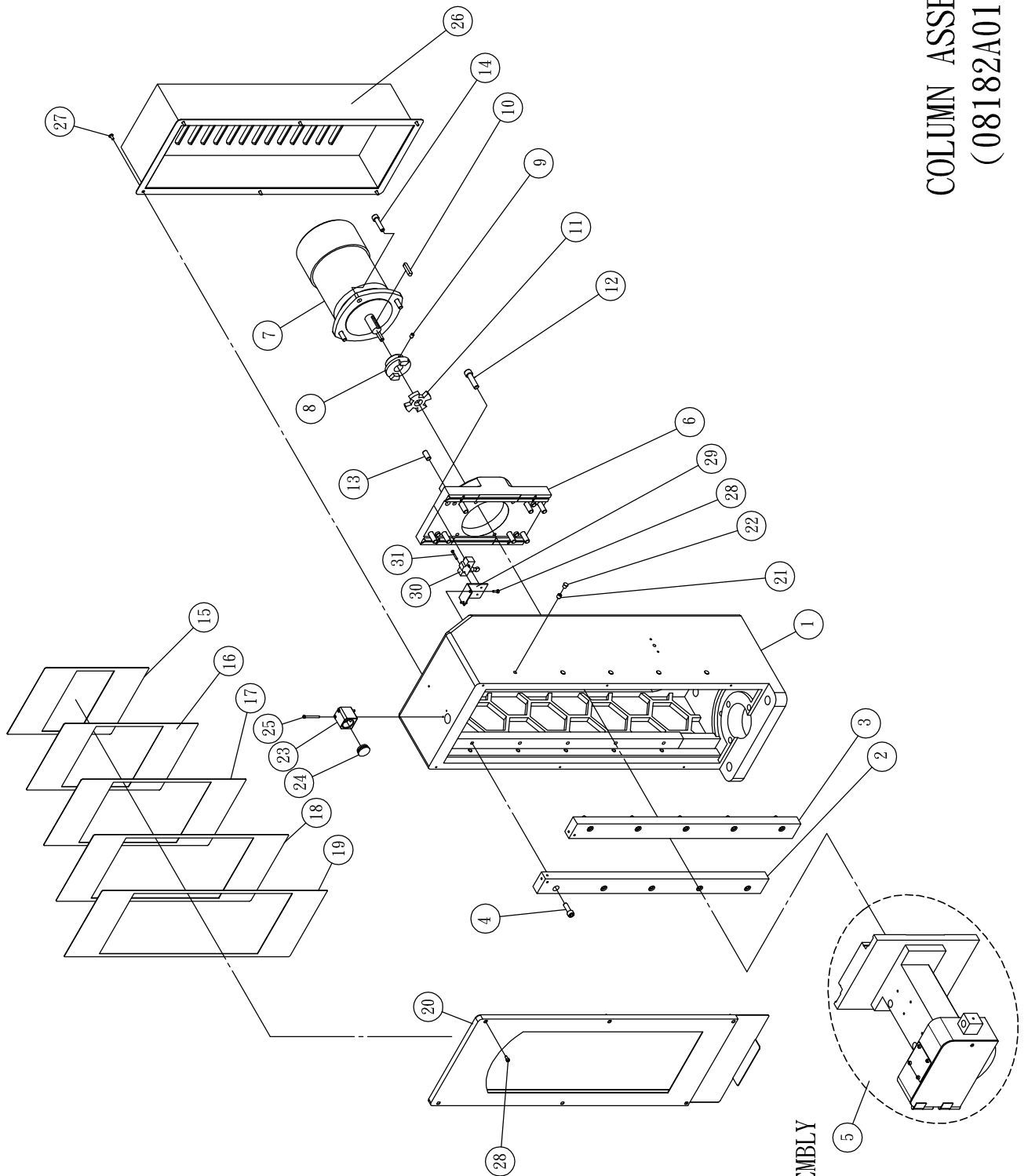
SPINDLE ASSEMBLY
(08181A0200)



SPINDLE ASSEMBLY (08181A0200)

NO.	DRAWING NO. /SPEC.	DESCRIPTION	QTY	NOTE
1	08181A0100	Spindle	1	
2	0618101100	Motor coupling	1	
3	KEYS080725	Pin	1	8x7x25
4	BHU0081210	Inner hexagonal headless screw	3	M8-10L
5	081810010B	Spindle housing	1	
6	06181010A0	Spindle fixing ring A	2	
7	06181010B0	Spindle fixing ring B	2	
8	BH00101560	Inner hexagonal screw	2	M10x1.5Px60L
9	BHU0061020	Inner hexagonal headless screw	3	M6-20L
10	BHU0061010	Inner hexagonal headless screw	2	M6-10L
11	FA0010A350	Wheel flange	1	
12	FA0010B350	Balancing block	3	
13	SB00000004	Steel ball	3	∅4
14	BHU0050805	Inner hexagonal headless screw	4	M5-5L
15	WH00205130	Grinding wheel	1	
16	FA0010C350	Flange spacer	1	
17	FA0010D350	Flange fixing ring	1	
18	FA0010E350	Tightening nut	1	
19	0618100200	Wheel guard	1	
20	06181001B0	Wheel guard top cover	1	
21	BH00050810	Inner hexagonal screw	4	M5x0.8Px10L
22	3060405400	Fixing knob	1	
23	FA0010E350	Nut	1	M6

COLUMN ASSEMBLY
(08182A0100)



SPINDLE ASSEMBLY

COLUMN ASSEMBLY (08182A0100)

NO.	DRAWING NO. /SPEC.	DESCRIPTION	QTY	NOTE
1	0618201300	Column	1	
2	06182012A0	Vertical rail (L)	1	
3	06182012B0	Vertical rail (R)	1	
4	BH00101530	Inner hexagonal screw	10	M10x1.5Px30L
5	08181A0100	Spindle assembly	1set	(ACER)
6	0818200200	Motor fixing board	1	
7	MS01362346	Motor	1	230/460V , 60HZ , 3HP 3 ϕ 2P
8	0618101100	Coupling	1	
9	BHU0081210	Inner hexagonal headless screw	3	M8-10L
10	KEYD080840	Pin	1	8x8x40
11	0618101200	Rubber coupling	1	
12	BH00121745	Inner hexagonal screw	8	M12x1.75Px45L
13	BHU0121725	Inner hexagonal headless screw	4	M12-25L
14	BH00101550	Inner hexagonal screw	4	M10x1.5Px50L
15	0618200400	Dust proof sheet	1	
16	0618200500	Dust proof sheet	1	
17	0618200600	Dust proof sheet	1	
18	0618200700	Dust proof sheet	1	
19	0618200800	Dust proof sheet	1	
20	0618200300	Front cover plate	1	
21	BHU0101510	Inner hexagonal headless screw	10	M10-10L
22	HP0000HP09	Plug	10	HP-09
23	0618202300	Lubrication oil gauge	1	
24	OLG0000029	Lubrication oil gauge glass	1	ϕ 29
25	BH00040745	Inner hexagonal screw	2	M4x0.7Px45L
26	0818200300	Rear cover plate	1	
27	BRC0050812	Cross round head screw	6	M5x0.8Px12L

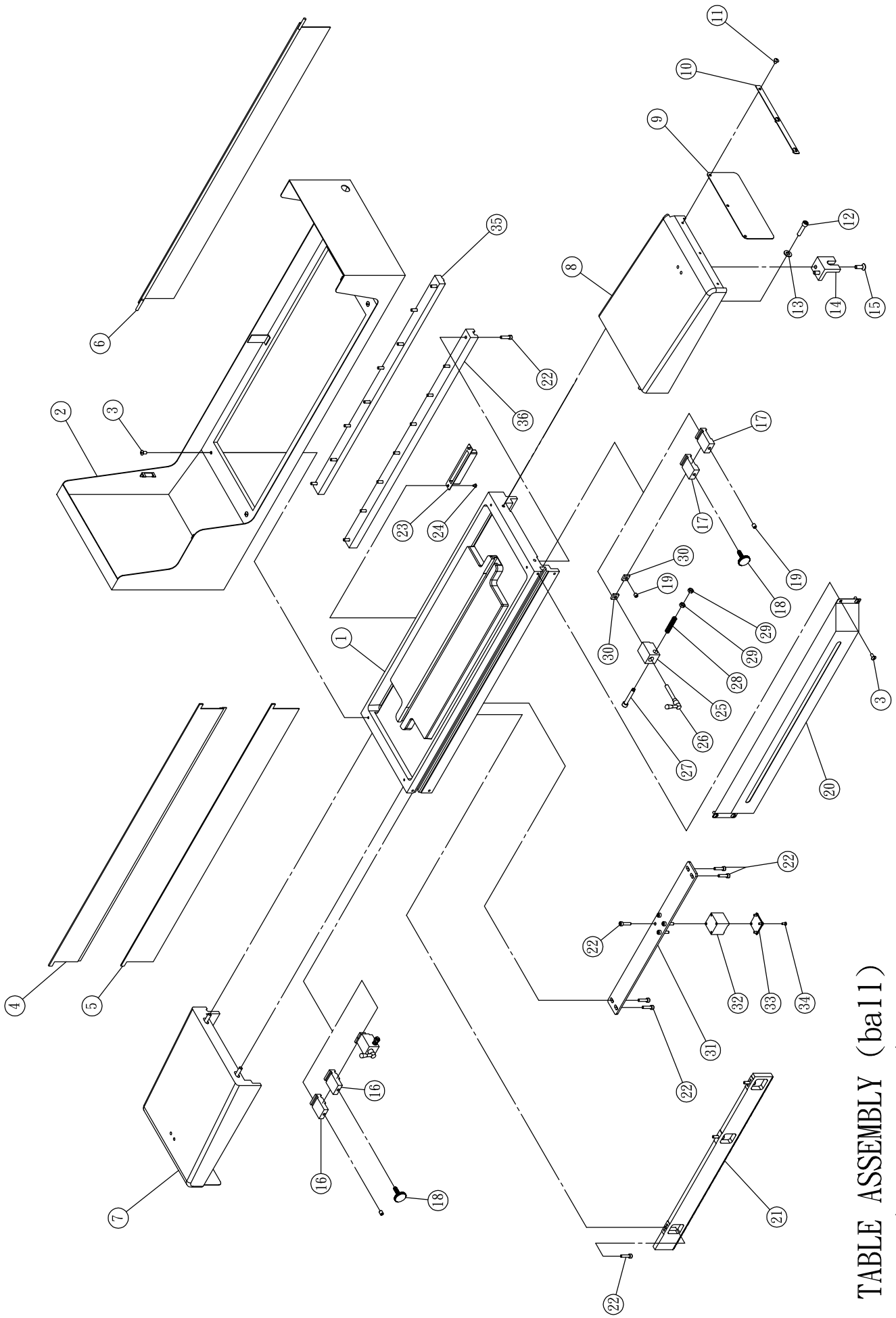


TABLE ASSEMBLY (ba11)
(08183A0100)

TABLE ASSEMBLY (ball 08183A0100)

NO.	DRAWING NO. /SPEC.	DESCRIPTION	QTY	NOTE
1	08183001B0	Table (ball)	1	
2	0818301000	Splash guard	1	
3	BRC0061012	Cross head screw	8	M6x1. 0Px12L
4	06181002A0	Coolant guarding board A (Rear)	1	
5	06181002B0	Coolant guarding board B (Rear)	1	
6	06181002C0	Coolant guarding board C (Front)	1	
7	08183003L0	Table wing (L)	1	0818300200 (For 818M)
8	08183003R0	Table wing (R)	1	0818300200 (For 818M)
9	0818300900	Rubber plate	2	
10	0818300600	Fixing bar	2	
11	BRC0061008	Cross round head screw	6	M6x1. 0Px8L
12	BH00081235 BH00081220	Inner hexagonal screw	4	M8x1. 25Px35L (For Hydraulic) M8x1. 25Px20L (For 818M)
13	WP00081602	Washer	4	8x16x2
14	06183035M0	Cylinder rack	2	For Hydraulic
15	BHP0081220	Flat head inner hexagonal screw	4	
16	06183044M0	Sensor block (L)	2	(For Hydraulic)
17	06183045M0	Sensor block (R)	2	(For Hydraulic)
18	0618405200	Fixing knob	2	D-8070-30-M8-30 (For Hydraulic)
19	BHU0081210	Inner hexagonal headless screw	2	M8-8L
20	06184035A0	Longitudinal travel adjustor cover (Hydraulic)	1	(For Hydraulic)
21	0618303300	Gear bar	1	(For Hydraulic)
22	BH00061025	Inner hexagonal screw	27	M6x1. 0Px25L (For Hydraulic)
23	06183032M0	Coolant guiding block	1	
24	BRC0040706	Cross round head screw	2	M4x0. 7Px6L
25	06183020A0	Adjustor block(R)	2	
26	HF00450850	Adjusting knob	2	
27	BH00081250	Inner hexagonal screw	2	M8x1. 25Px50L (For 818M)

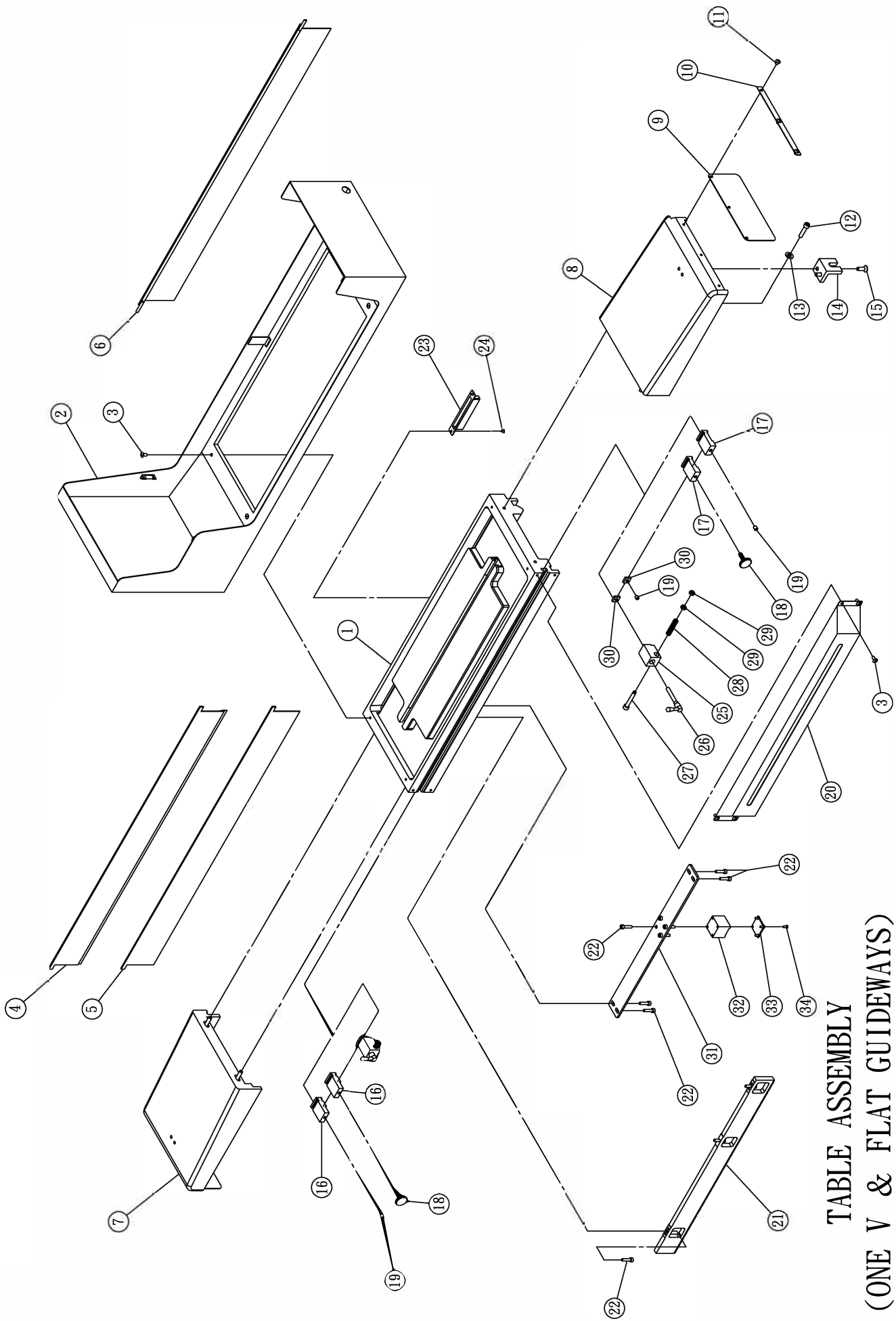
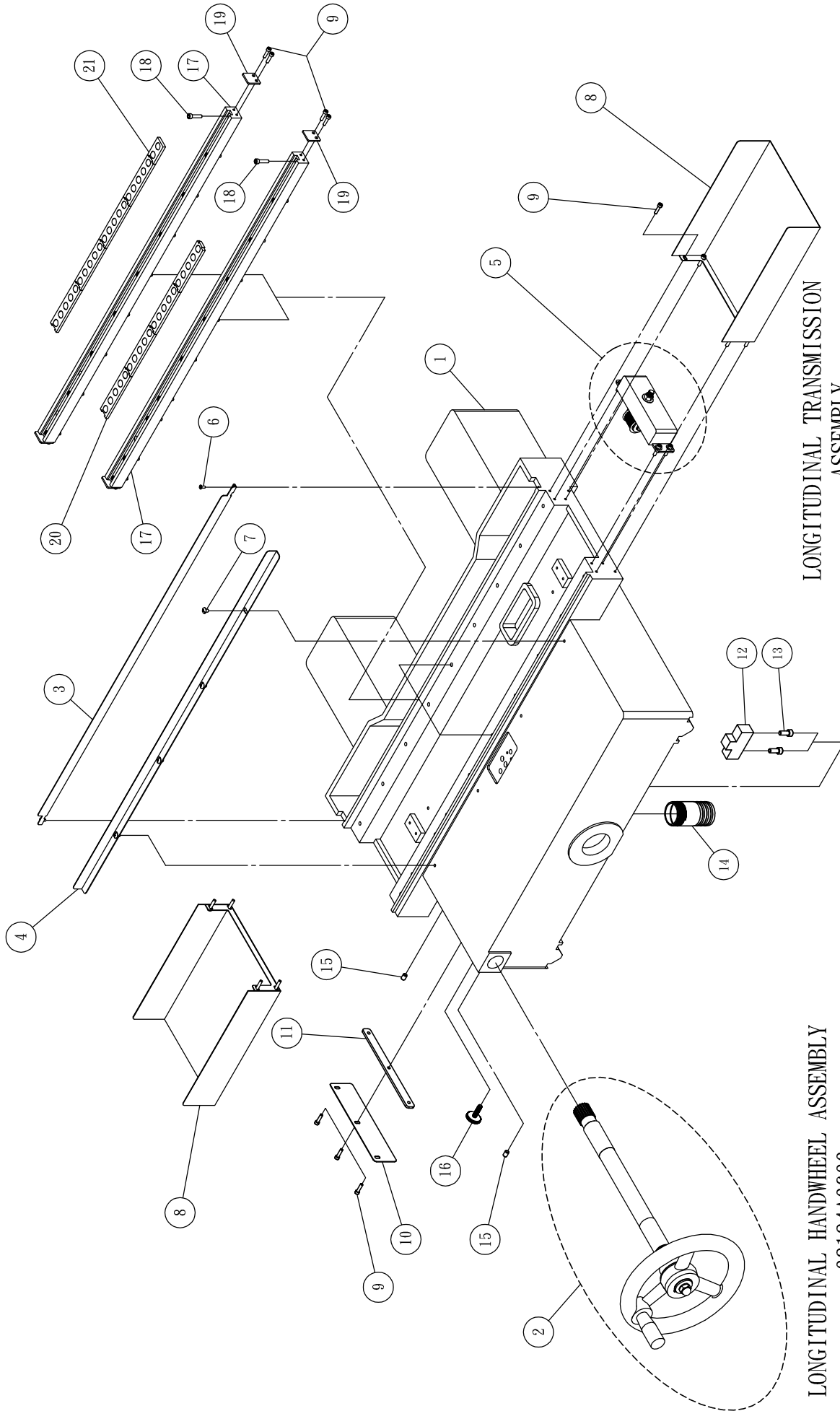


TABLE ASSEMBLY
 (ONE V & FLAT GUIDEWAYS)
 (08183A0200)

TABLE ASSEMBLY (ONE V & FLAT GUIDEWAYS 08183A0200

NO.	DRAWING NO. /SPEC.	DESCRIPTION	QTY	NOTE
1	08183001V0	Table	1	
2	0818301000	Splash guard	1	
3	BRC0061012	Cross head screw	8	M6x1. 0Px12L
4	06181002A0	Coolant guarding board A (Rear)	1	
5	06181002B0	Coolant guarding board B (Rear)	1	
6	06181002C0	Coolant guarding board C (Front)	1	
7	08183003L0	Table wing (L)	1	0818300200 (For 818M)
8	08183003R0	Table wing (R)	1	0818300200 (For 818M)
9	0818300900	Rubber plate	2	
10	0818300600	Fixing bar	2	
11	BRC0061008	Cross round head screw	6	M6x1. 0Px8L
12	BH00081235 BH00081220	Inner hexagonal screw	4	M8x1. 25Px35L (For Hydraulic) M8x1. 25Px20L (For 818M)
13	WP00102302	Washer	4	10x23x2
14	06183035M0	Cylinder rack	2	(For Hydraulic)
15	BHP0081220	Flat head inner hexagonal screw	4	M8x1. 25Px25L (For Hydraulic)
16	06183044M0	Sensor block (L)	2	(For Hydraulic)
17	06183045M0	Sensor block (R)	2	(For Hydraulic)
18	0618405200	Fixing knob	2	D-8070-30-M8-30 (For Hydraulic)
19	BHU0081210	Inner hexagonal headless screw	4	M8-8L
20	06184035A0	Longitudinal travel adjustor cover (Hydraulic)	1	(For Hydraulic)
21	0618303300	Gear bar	1	(For Hydraulic)
22	BH00061025	Inner hexagonal screw	11	M6x1. 0Px25L (For Hydraulic)
23	06183032M0	Coolant guiding block	1	
24	BRC0040706	Cross round head screw	2	M4x0. 7Px6L
25	06183020A0	Right adjustor block(R)	2	
26	HF00450850	Adjusting knob	2	
27	BH00081250	Inner hexagonal screw	2	M8x1. 25Px50L (For 818M)



LONGITUDINAL TRANSMISSION
ASSEMBLY

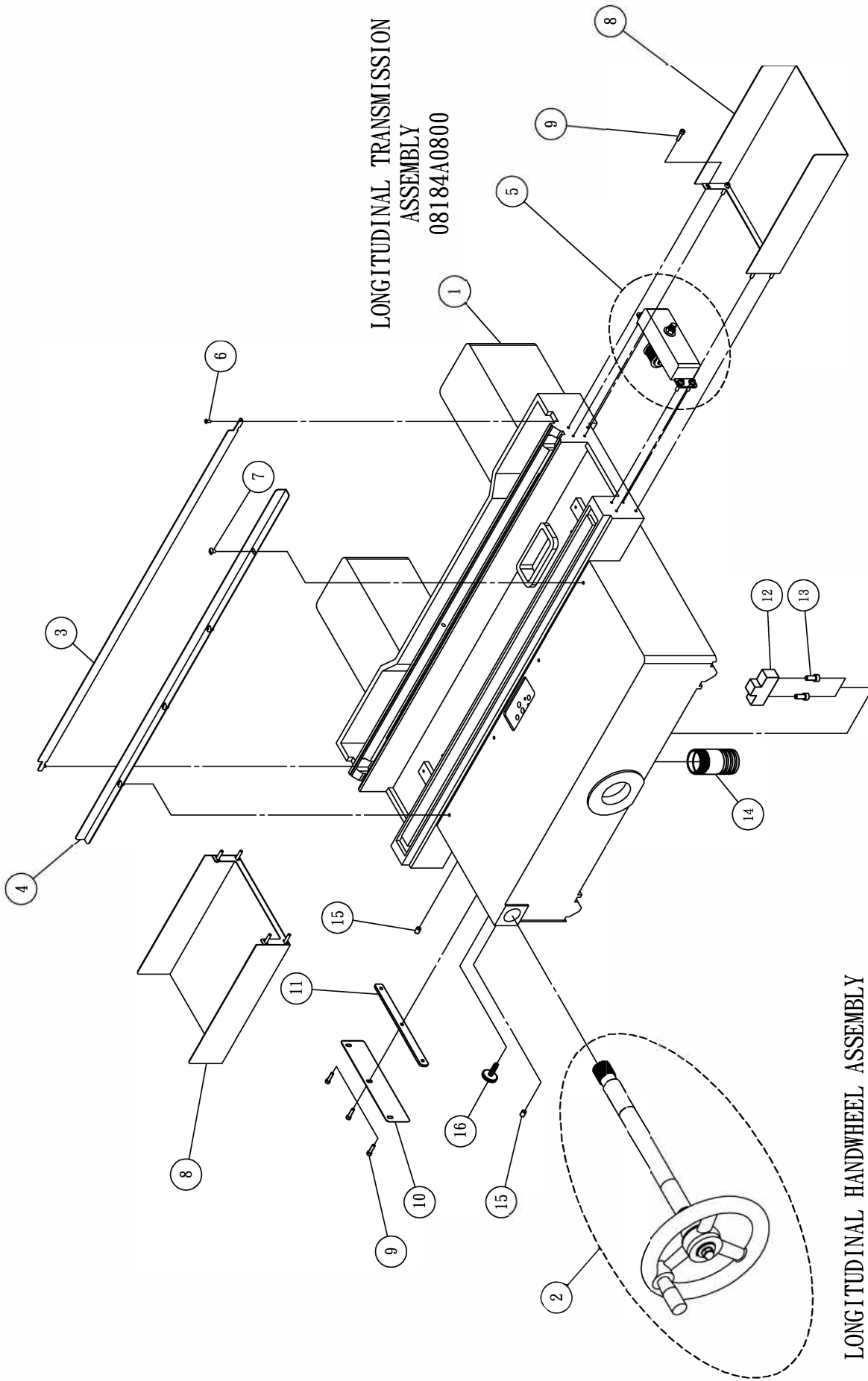
08184A0800
SADDLE ASSEMBLY
(FOR BALL WAYS)
(08184A0100)

LONGITUDINAL HANDWHEEL ASSEMBLY

08184A0600

SADDLE ASSEMBLY (ball 08184A0100)

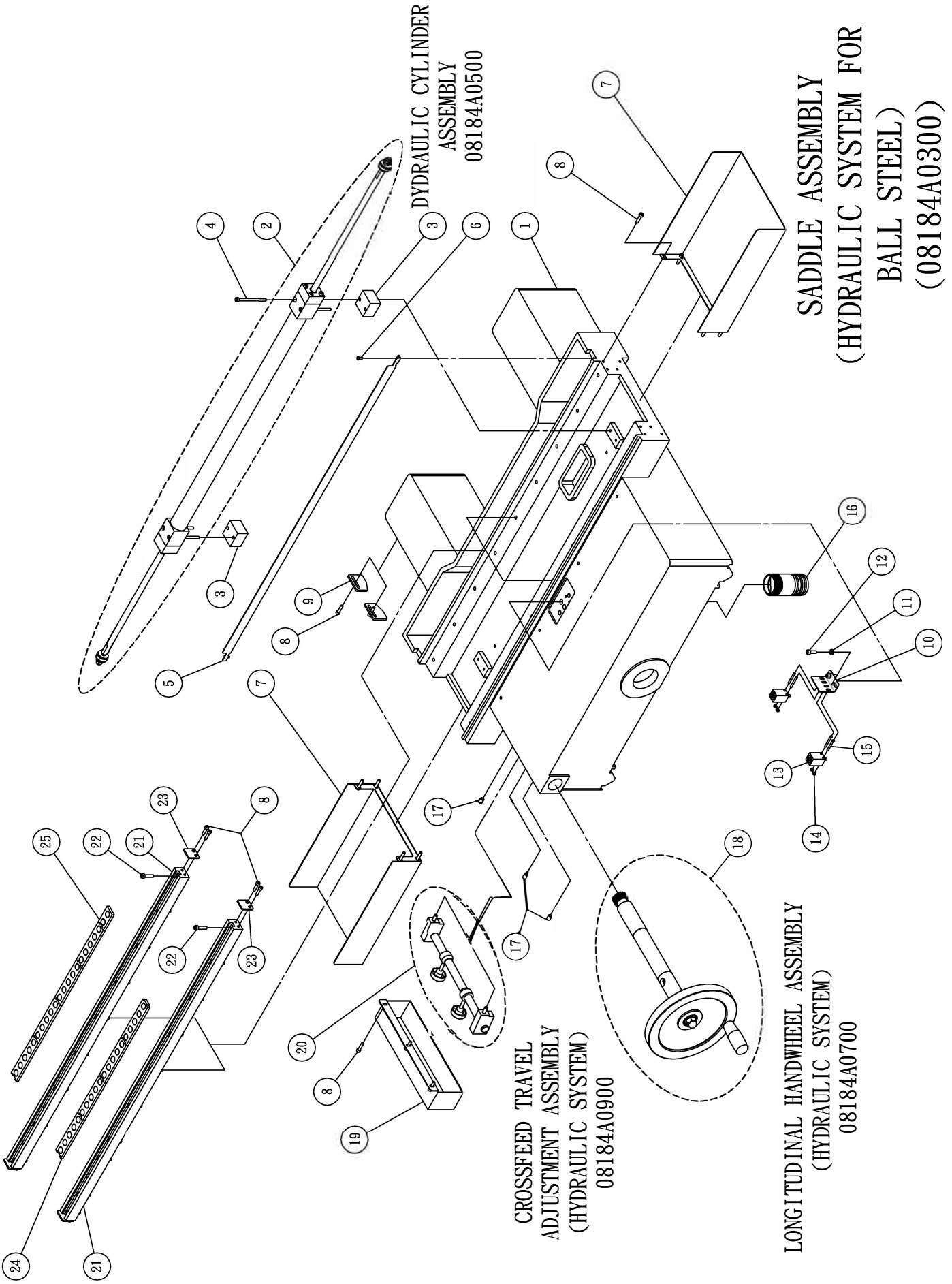
NO.	DRAWING NO. /SPEC.	DESCRIPTION	QTY	NOTE
1	08184001B0	Saddle	1	
2	08184A0600	Longitudinal handwheel assembly	1set	
3	0818401800	Dust proof bar(rear)	1	
4	0818401700	Dust proof bar(front)	1	
5	08184A0800	Longitudinal transmission assembly	1set	
6	BPC0040708	Flat head screw	2	M4x0. 7Px8L
7	BRC0061008	Cross round head screw	4	M6x1. 0Px8L
8	0818401100	Dust proof plate	2	
9	BH00050820	Inner hexagonal screw	19	M5x0. 8Px20L
10	0818401400	Crossfeed locking bar (outer)	1	
11	0818401300	Crossfeed locking bar (inner)	1	
12	0818401600	Longitudinal fixed stroke block	1	
13	BH00081220	Inner hexagonal screw	2	M8x1. 25Px20L
14	CONA01123E	Pipe	1	1½ " x 3 inch E
15	BHU0050812	Inner hexagonal headless screw	2	M5x12L
16	0618405200	Handwheel handle	1	D-8070-30-M8-30
17	0818400800	Longitudinal steel rail (concave)	2	
18	BH00061025	Inner hexagonal screw	19	M6x1. 0Px25L
19	0618400800	Protection plate	4	
20	0618420500	Steel ball retainer (F)	1	20pcs 5/8" steel ball
21	0618422500	Steel ball retainer (R)	1	22pcs 5/8" steel ball



LONGITUDINAL TRANSMISSION
ASSEMBLY
08184A0800

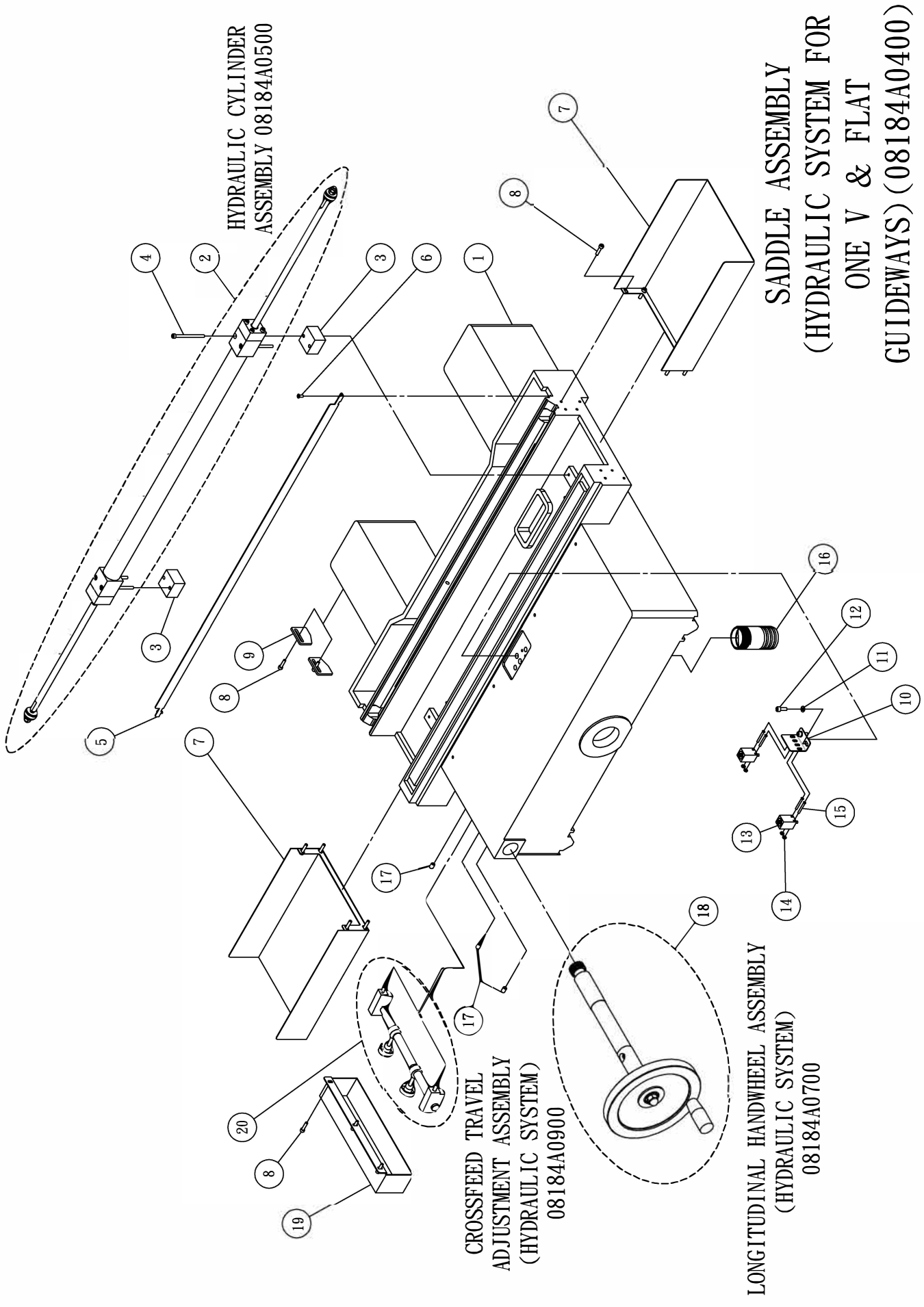
SADDLE ASSEMBLY
(ONE V & FLAT GUIDEWAYS FOR 818II)
(08184A0200)

LONGITUDINAL HANDWHEEL ASSEMBLY
08184A0600



SADDLE ASSEMBLY (HYDRAULIC SYSTEM FOR BALL STEEL 08184A0300)

NO.	DRAWING NO. /SPEC.	DESCRIPTION	QTY	NOTE
1	08184001B0	Saddle	1	
2	08184A0500	Cylinder set	1set	
3	0818401500	Cycinder block	2	
4	BH00050840	Inner hexagonal screw	4	M5x0. 8Px40L
5	0818401800	Dust proof bar(Rear)	1	
6	BPC0040708	Flat head screw	2	M4x0. 7Px8L
7	0818401100	Dust proof plate	2	
8	BH00050820	Inner hexagonal screw	21	M5x0. 8Px20L
9	0618503900	F/R Limited block	2	
10	0618404700	Switch fixing seat	1	
11	WP00051201	Washer	2	5x12x1
12	BH00050815	Inner hexagonal screw	2	M5x0. 8Px15L
13	SPC0DC35NC	Longitudinal proximity switch	2	TL-B5NE1
14	NH000000M3	Nut	4	M3
15	BRC0030525	Cross round head screw	4	M3x0. 5Px25L
16	CONA01123E	Pipe	1	1½ " x 3 inch E
17	BHU0050812	Inner hexagonal headless screw	3	M5x12L
18	08184A0700	Longitudinal handwheel assembly	1set	
19	0818400900	F/R Limited cover	1	
20	08184A0900	Micro switch assembly	1set	
21	0818400800	Longitudinal steel rail (concave)	2	
22	BH00061025	Inner hexagonal screw	19	M6x1. 0Px25L
23	0618400800	Protection plate	4	
24	0618420500	Steel ball retainer (F)	1	20pcs 5/8" steel ball
25	0618422500	Steel ball retainer (R)	1	22pcs 5/8" steel ball



HYDRAULIC CYLINDER
ASSEMBLY 08184A0500

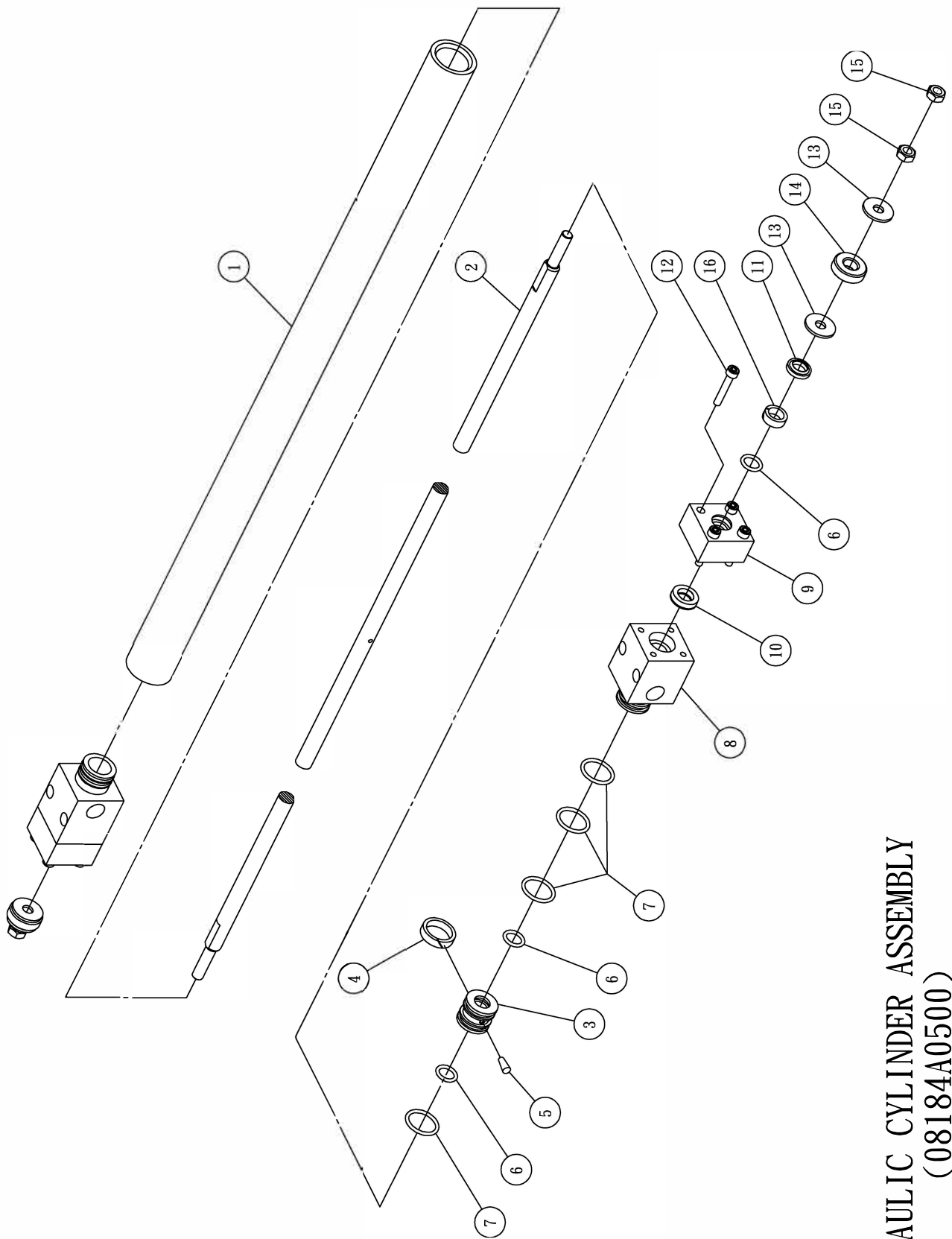
SADDLE ASSEMBLY
(HYDRAULIC SYSTEM FOR
ONE V & FLAT
GUIDEWAYS) (08184A0400)

CROSSFEED TRAVEL
ADJUSTMENT ASSEMBLY
(HYDRAULIC SYSTEM)
08184A0900

LONGITUDINAL HANDWHEEL ASSEMBLY
(HYDRAULIC SYSTEM)
08184A0700

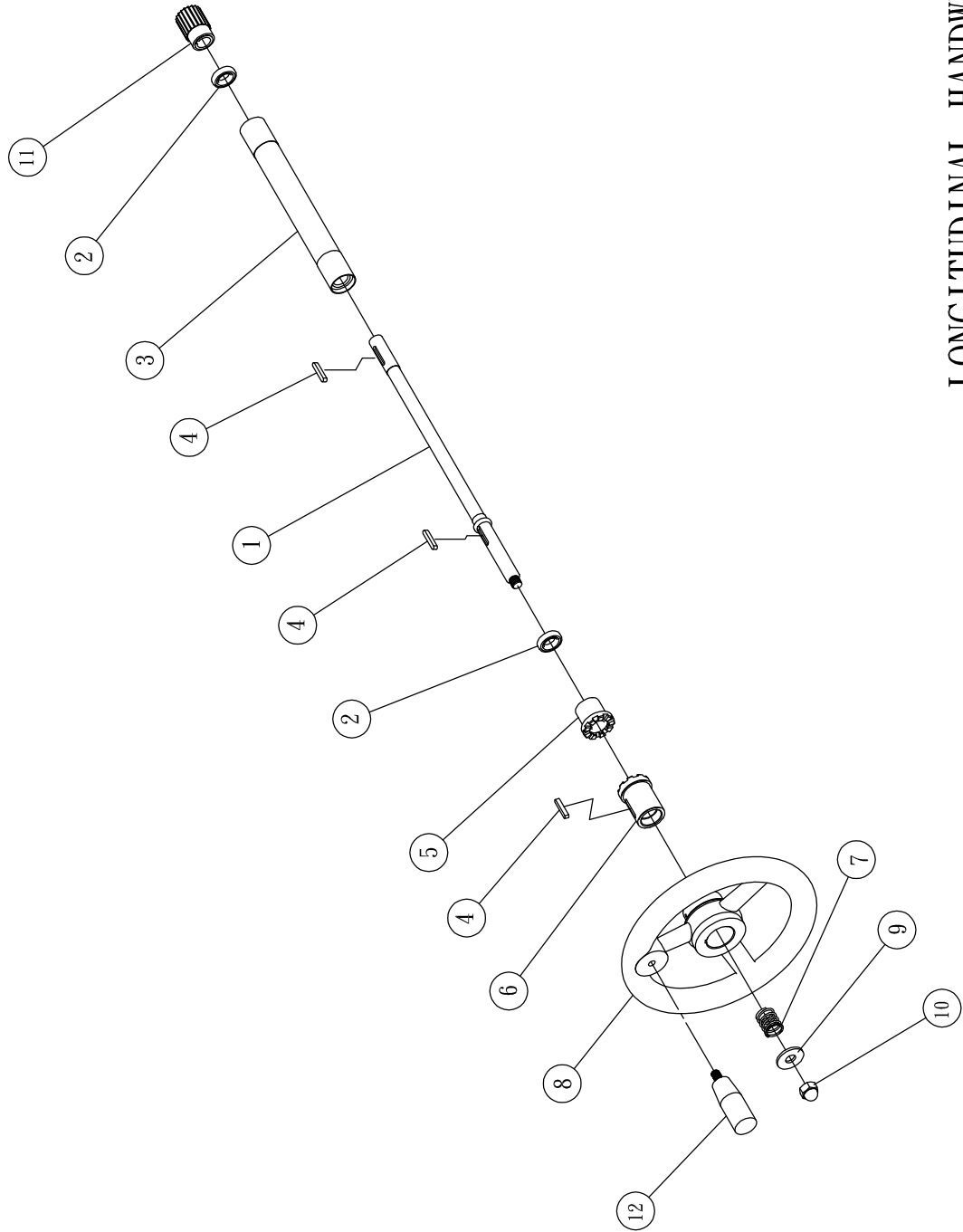
SADDLE ASSEMBLY (HYDRAULIC SYSTEM FOR ONE V & FLAT GUIDEWAYS 08184A0400)

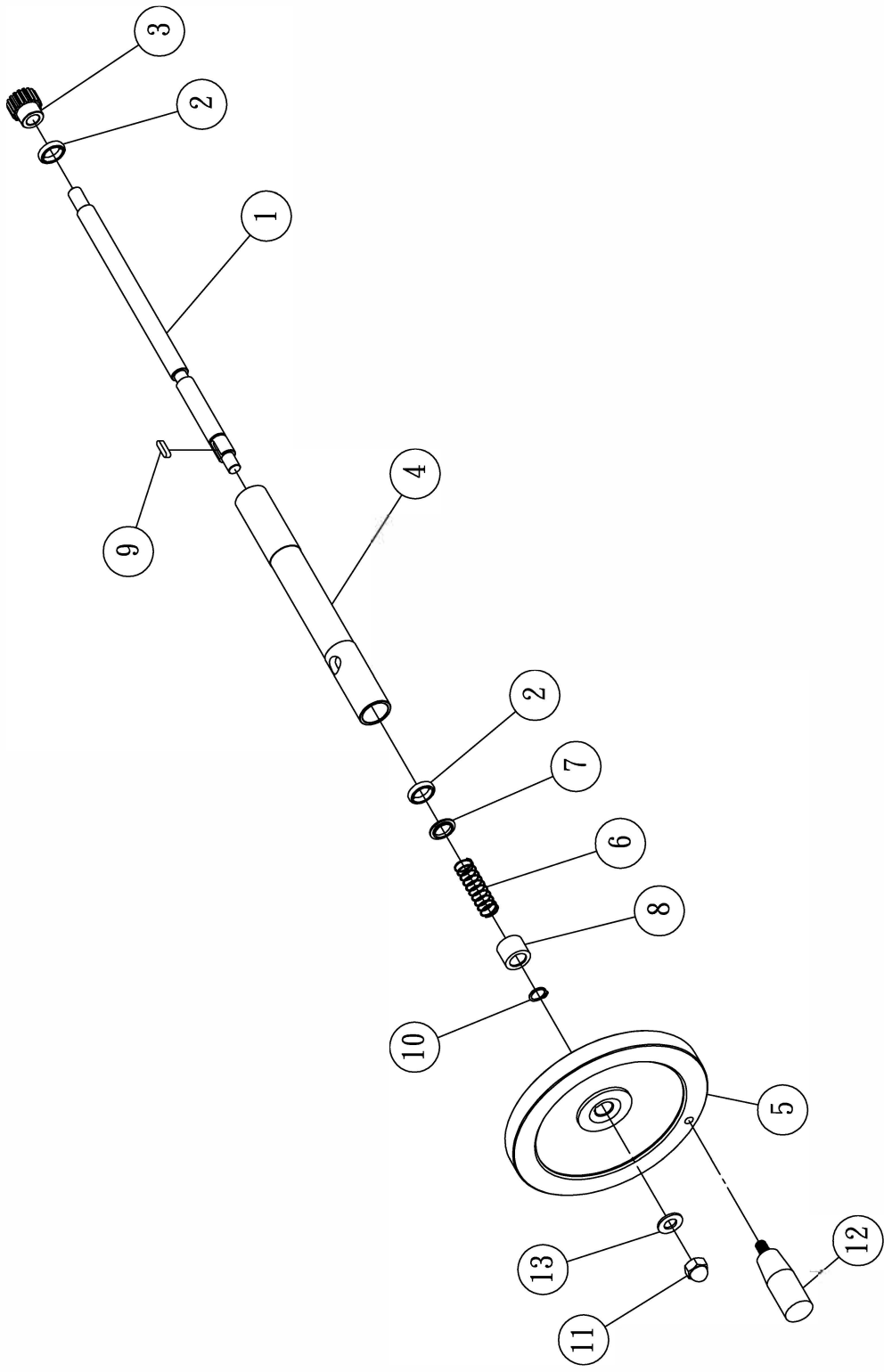
NO.	DRAWING NO. /SPEC.	DESCRIPTION	QTY	NOTE
1	08184001V0	Saddle	1	
2	08184A0500	Cylinder set	1set	
3	0818401500	Hydraulic cylinder block	2	
4	BH00050840	Inner hexagonal screw	4	M5x0. 8Px40L
5	0818401800	Dust proof bar(Rear)	1	
6	BPC0040708	Flat head screw	2	M4x0. 7Px8L
7	0818401100	Dust proof plate	2	
8	BH00050820	Inner hexagonal screw	13	M5x0. 8Px20L
9	0618503900	F/R Limited block	2	
10	0618404700	Switch fixing seat	1	
11	WP00051201	Washer	2	5x12x1
12	BH00050815	Inner hexagonal screw	2	M5x0. 8Px15L
13	SPC0DC35NC	Longitudinal proximity switch	2	TL-B5NE1
14	NH000000M3	Nut	4	M3
15	BRC0030525	Cross round head screw	4	M3x0. 5Px25L
16	CONA01123E	Pipe	1	1½ " x 3 inch E
17	BHU0050812	Inner hexagonal headless screw	3	M5x12L
18	08184A0700	Longitudinal handwheel assembly	1set	
19	0818400900	F/R Limited cover	1	
20	08184A0900	Micro switch assembly	1set	



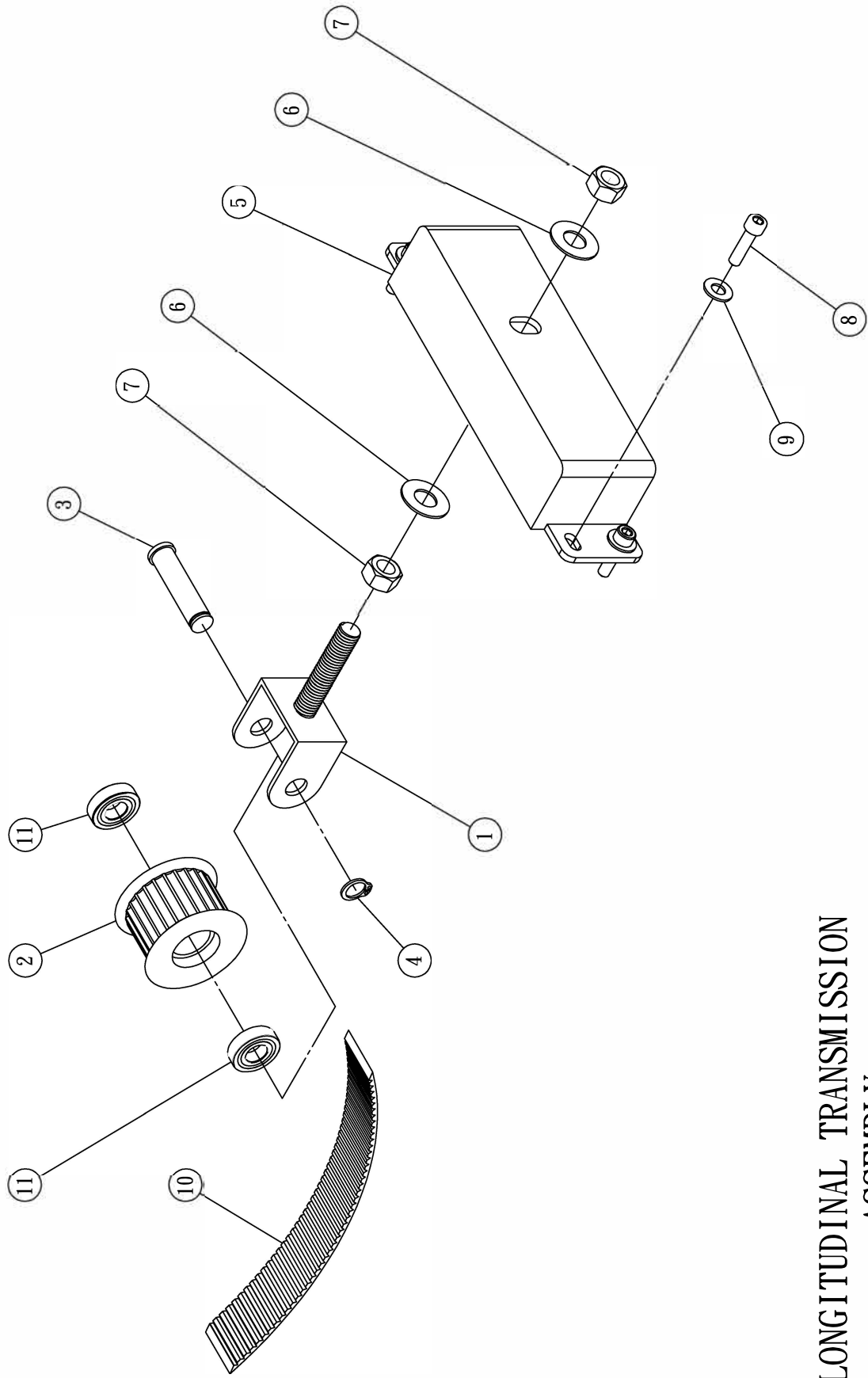
HYDRAULIC CYLINDER ASSEMBLY
(08184A0500)

LONGITUDINAL HANDWHEEL ASSEMBLY
(08184A0600)

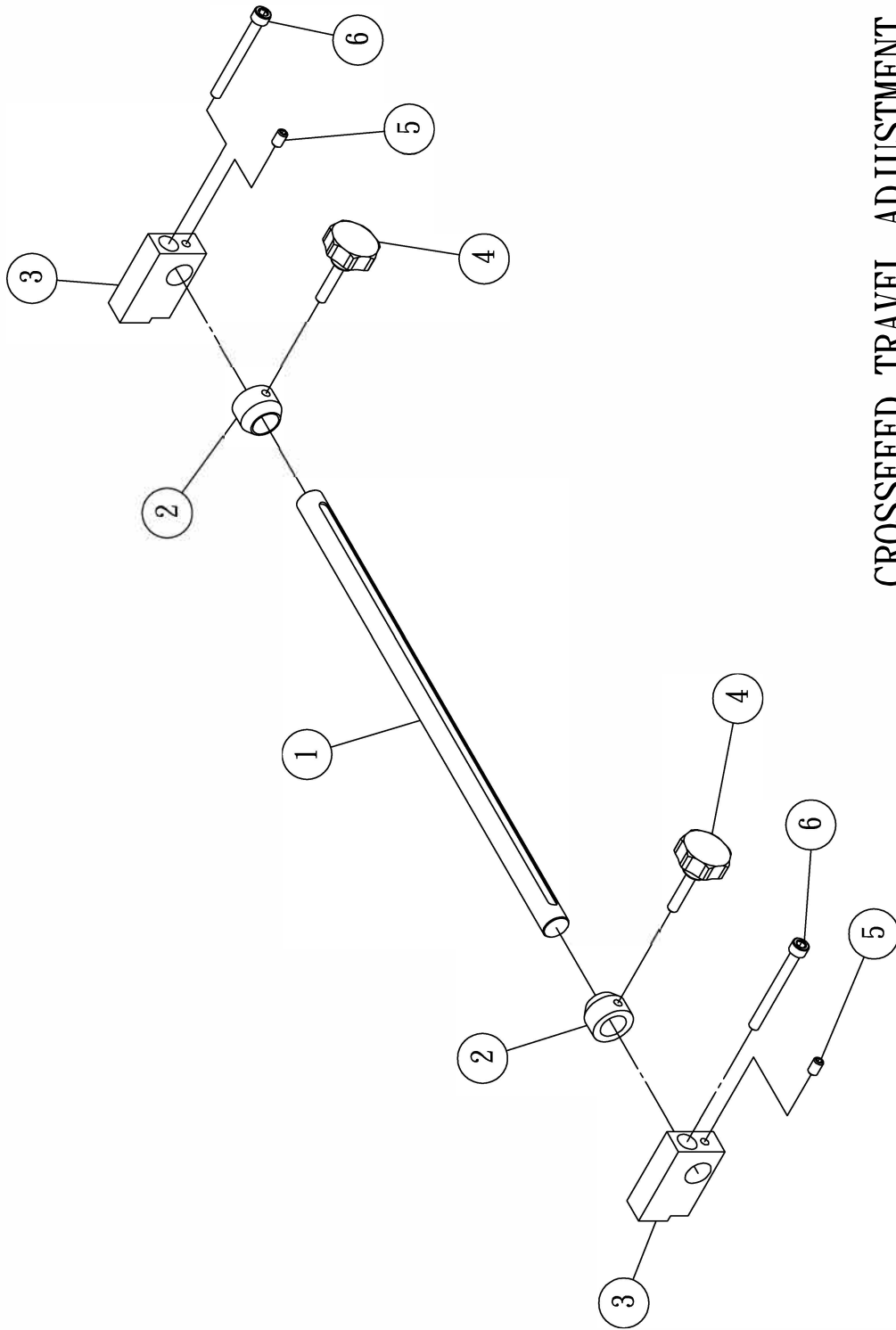




LONGITUDINAL HANDWHEEL ASSEMBLY
 (HI I ~ AHD II)
 (08184A0700)

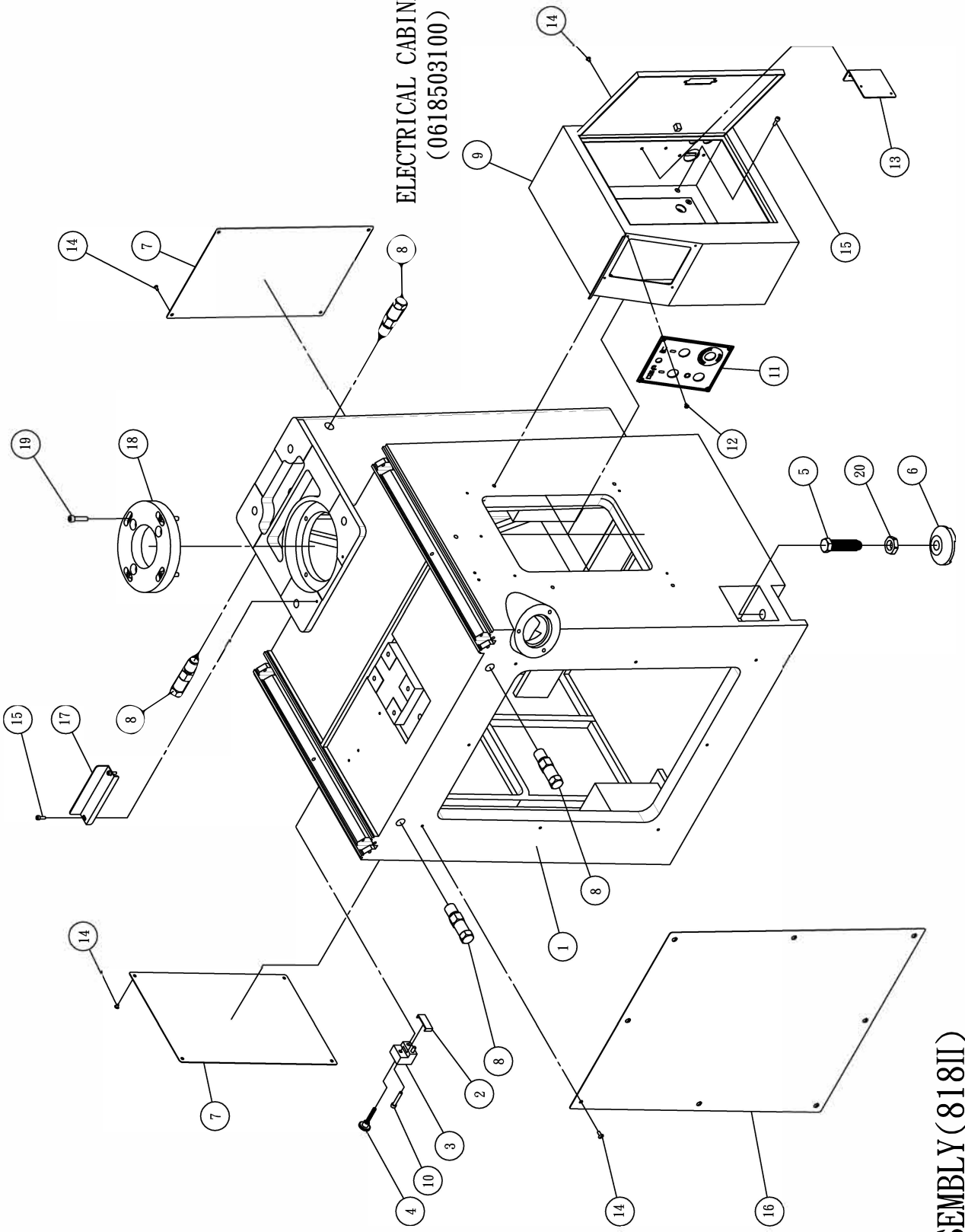


LONGITUDINAL TRANSMISSION
ASSEMBLY
(08184A0800) 818II



CROSSFEED TRAVEL ADJUSTMENT ASSEMBLY
 (AHI~AHDII)
 (08184A0900)

ELECTRICAL CABINET
(0618503100)

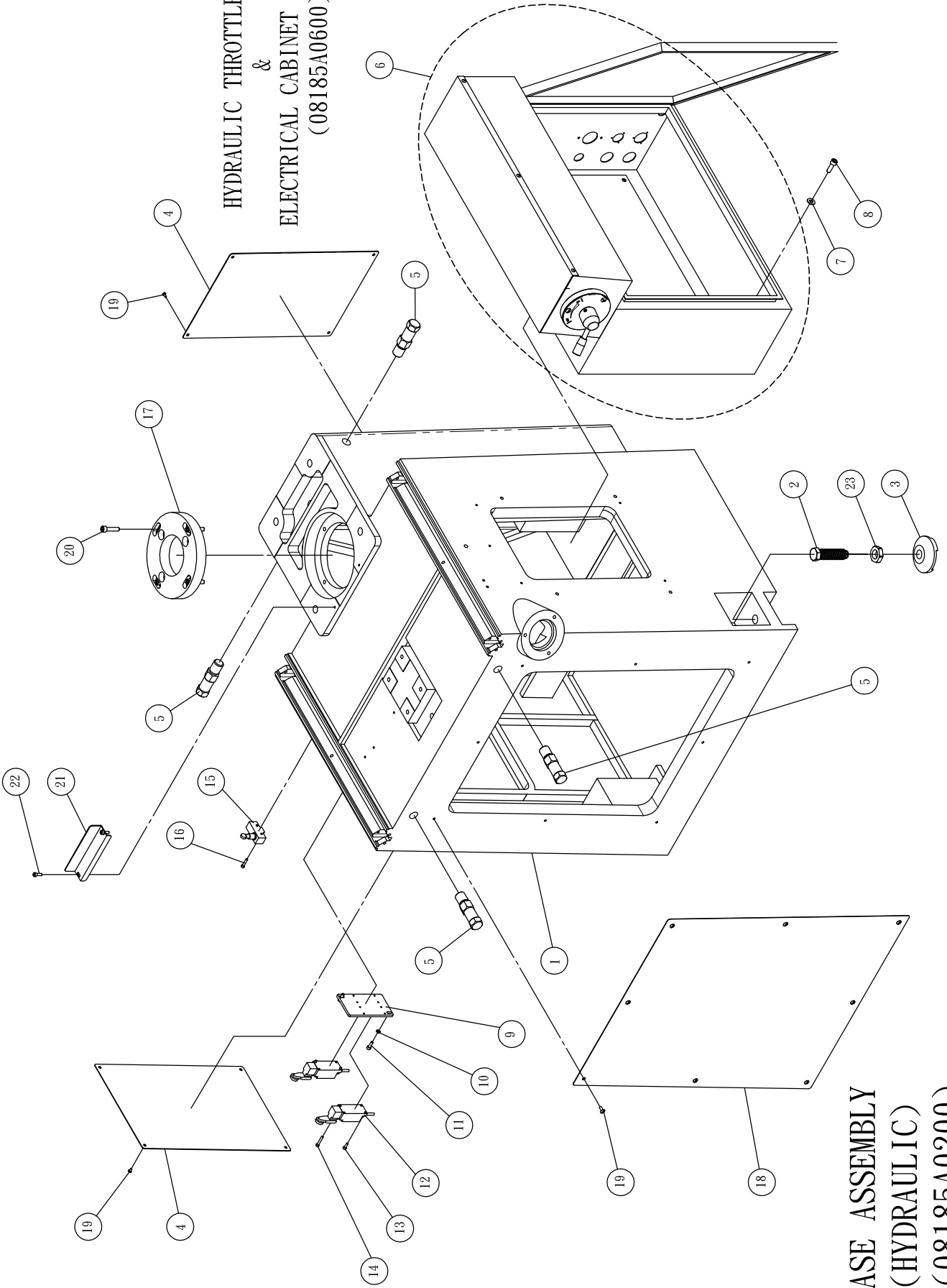


BASE ASSEMBLY (818II)
(08185A0100)

BASE ASSEMBLY (818II 08185A0100)

NO.	DRAWING NO. /SPEC.	DESCRIPTION	QTY	NOTE
1	08185001A0	Base (flat)	1	08185001B0 (concave)
2	0618504500	Fixing plate	1	
3	0618503000	Fixing seat	1	
4	3060405500	Fixing screw (adjustable)	1	
5	0618502400	Leveling bolt	3	
6	0618501200	Leveling block	3	
7	0618504300	Side cover	2	
8	0618504900	Lifting bolt	4	
9	0618503100	Electrical cabinet (R)	1	818II (L) 0618503200
10	BH00061035	Inner hexagonal screw	2	M6x1. 0Px35L
11	0618504600	Control panel	1	
12	BRC0040706	Cross round head screw	4	M4x0. 7Px6L
13	0618505400	Switch fixed seat	1	
14	BRC0050810	Cross round head screw	18	M5x0. 8Px10L
15	BH00050810	Inner hexagonal screw	6	M5x0. 8Px10L
16	08185002A0	Base cover (flat)	1	08185003B0 (concave)
17	0818200400	Column cover	1	
18	3060501200	Lift fixed plates	1	
19	BH00081235	Inner hexagonal screw	4	M8x1. 25Px35L
20	0618502500	Adjustment nut	3	7/8" - 9 UNS

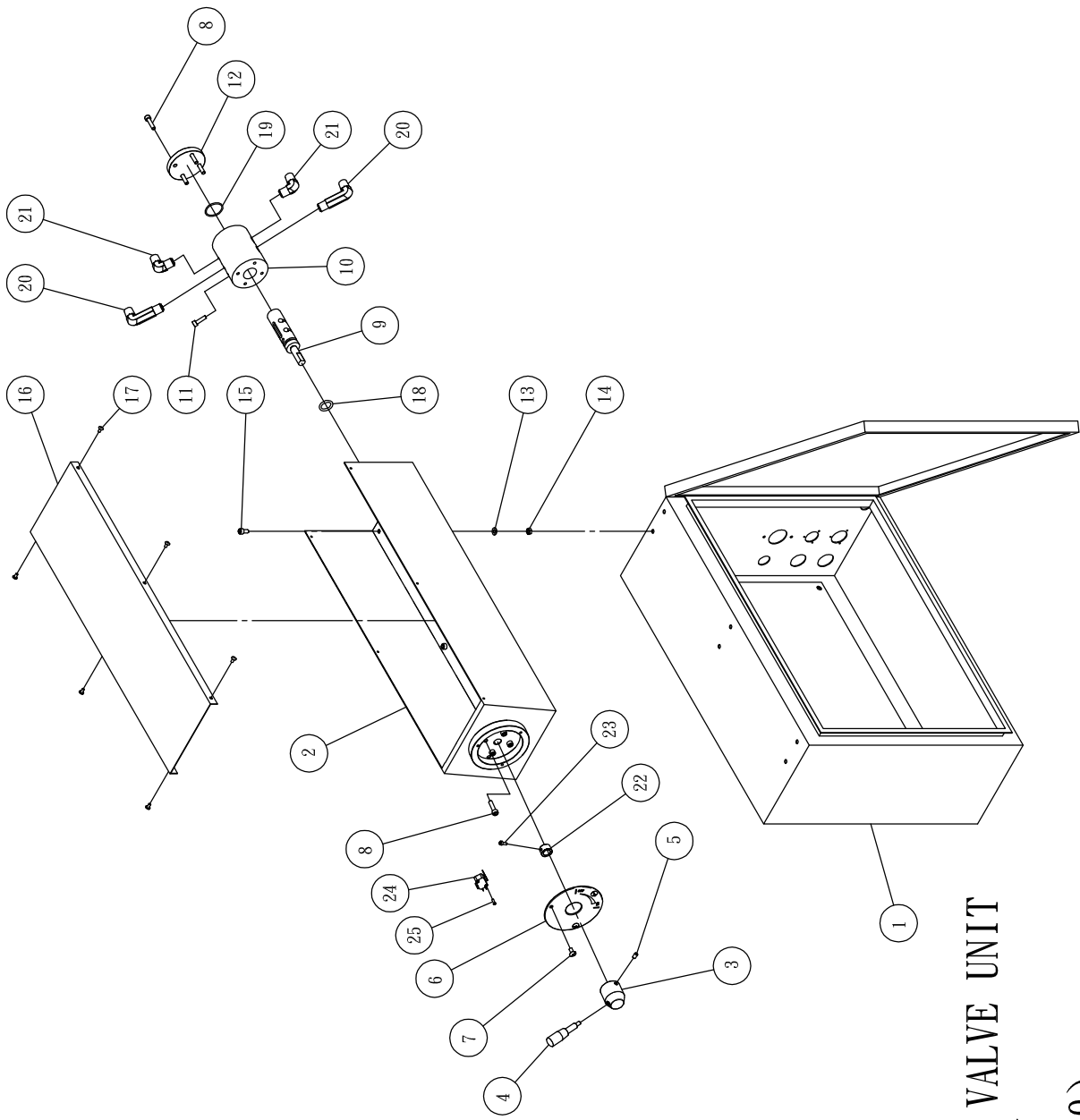
HYDRAULIC THROTTLE VALVE
&
ELECTRICAL CABINET ASSEMBLY
(08185A0600)



BASE ASSEMBLY
(HYDRAULIC)
(08185A0200)

BASE ASSEMBLY (HYDRAULIC 08185A0200)

NO.	DRAWING NO. /SPEC.	DESCRIPTION	QTY	NOTE
1	08185001A0	Base (flat)	1	08185001B0 (concave)
2	0618502400	Leveling bolt	3	
3	0618501200	Leveling block	3	
4	0618504300	Side cover	2	
5	0618504900	Lifting bolt	4	
6	08185A0600	Hydraulic throttle valve unit assembly	1set	
7	WP00081602	Washer	4	8x16x2
8	BH00081225	Inner hexagonal screw	4	M8x1.25Px25L
9	0618500100	F/R Micro switch fixed plates	1	
10	WP00051001	Washer	2	5x10x1
11	BH00050812	Inner hexagonal screw	2	M5x0.8Px12L
12	SL00AH8104	Limited switch	2	AH-8104
13	BH00040712	Inner hexagonal screw	2	M4x0.7Px12L
14	BH00040725	Inner hexagonal screw	2	M4x0.7Px25L
15	SM00AM1307	Micro switch	1	AM-1307
16	BH00040720	Inner hexagonal screw	2	M4x0.7Px20L
17	3060501200	Lift fixed plates	1	
18	08185002A0	Base cover (flat)	1	08185003B0 (concave)
19	BC00050812	Cross round head screw	16	M5x0.8Px12L
20	BH00081235	Inner hexagonal screw	4	M8x1.25Px35L
21	0818200400	Column cover	1	
22	BH00050812	Inner hexagonal screw	2	M5x0.8Px10L
23	0618502500	Adjustment nut	3	7/8" - 9 UNS

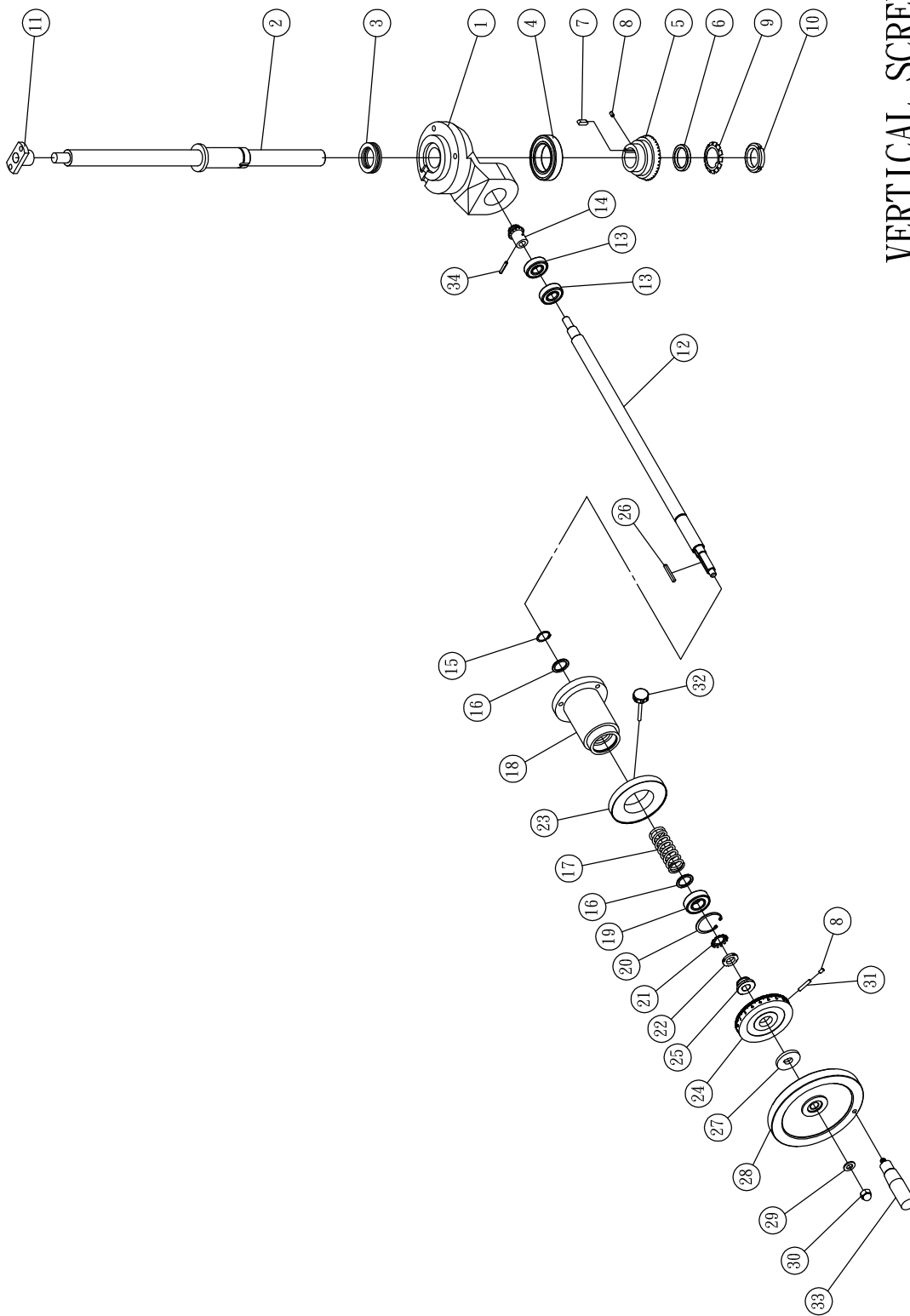


HYDRAULIC THROTTLE VALVE UNIT
 ASSEMBLY
 (08185A0600)

HYDRAULIC THROTTLE VALVE ASSEMBLY (08185A0600)

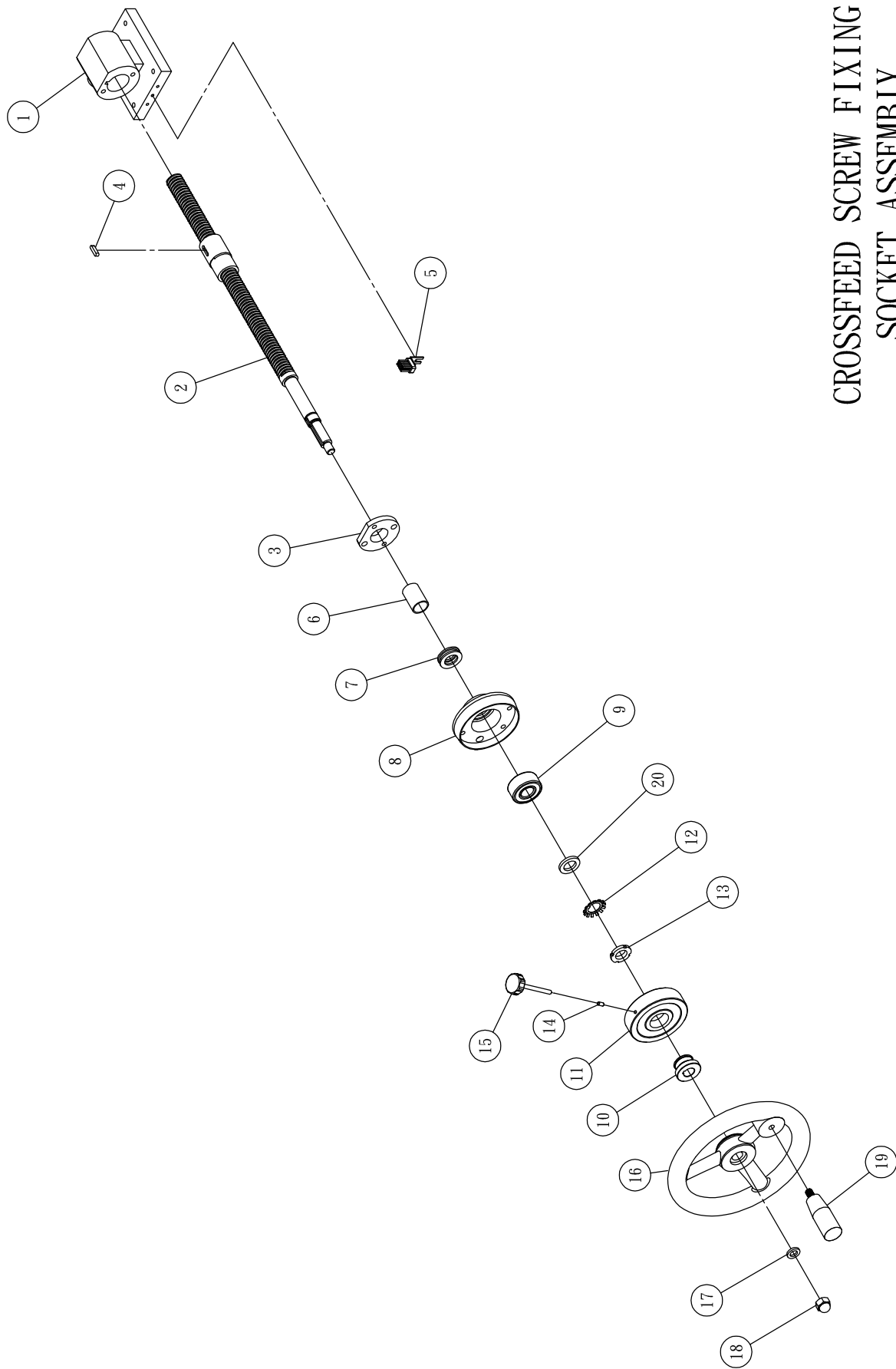
NO.	DRAWING NO. /SPEC.	DESCRIPTION	QTY	NOTE
1	06185A0420	Electrical cabinet	1	0618A042C0(AHDII, AH II) 0618A023M0(MPG)
2	0618A40000	Hydraulic control valve unit	1	
3	0818510400	Hydraulic control block	1	
4	0618503700	Hydraulic control handle	1	
5	BHU0061010	Inner hex headless screw	1	M6-10L
6	3060405000	Hydraulic control panel	1	
7	BRC0061012	Cross round head screw	3	M6x1.0Px12L
8	BH00061025	Inner hexagonal screw	8	M6x1.0Px25L
9	0818510200	Throttle valve shaft	1	
10	0818510100	Throttle valve unit	1	
11	BH00061016	Inner hexagonal screw	1	M6x1.0Px16L
12	0818510300	Throttle valve cover	1	
13	WP00061301	Washer	6	6.5x13x1
14	NH000000M6	Nut	6	M6
15	BH00061012	Inner hexagonal screw	6	M6x1.0Px12L
16	06185040B0	Throttle valve cover	1	
17	BRC0040708	Cross round head screw	6	M4x0.7Px8L
18	RG00PAS210	O ring	1	PAS-210
19	RG00000S30	O ring	1	S30
20	CON038T38H	90° connector	2	3/8" T x 3/8" H
21	CONL38T38H	90° connector	2	3/8" T x 3/8" H
22	0618503800	Limit switch block	1	
23	BH00040712	Inner hexagonal screw	1	M4x0.7Px12L
24	SM00V1521A	Limit switch	1	V-152-1A5
25	BRC0030512	Cross round head screw	2	M3x0.5Px12L

VERTICAL SCREW ASSEMBLY (08185A0300)



VERTICAL SCREW ASSEMBLY (08185A0300)

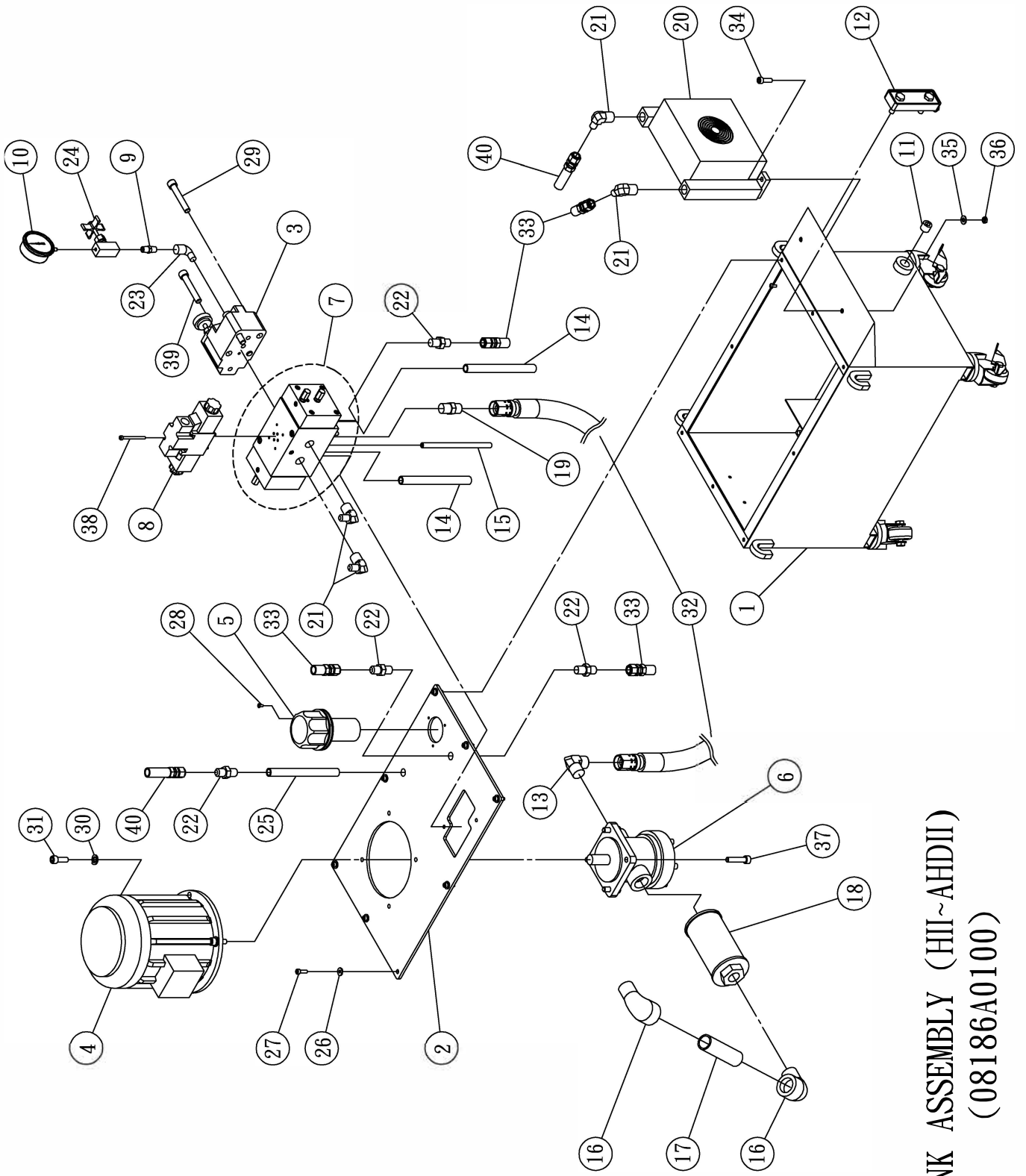
NO.	DRAWING NO. /SPEC.	DESCRIPTION	QTY	NOTE
1	0618201000	Vertical screw nut seat	1	
2	06185011N0	Vertical screw	1	06185011C0(P3)
3	B000051108	Bearing	1	51108(40x42x60x13)
4	B00006011Z	Bearing	1	6011Z(55x90x18)
5	06182014N1	Vertical gear	1	06182014C1(mm)
6	0618502300	Spacer	1	
7	KEYD070625	Pin	1	7x6x25
8	BHU0061008	Inner hexagonal headless screw	2	M6-8L
9	AW08000M40	Serrate washer	1	AW08
10	AN08M40P15	Nut	1	AN08(M40x1.5P)
11	0618501300	Vertical screw top seat	1	
12	0818500500	Vertical transmission shaft	1	
13	B00006204Z	Bearing	2	6204Z(20x47x14)
14	06182009N2	Vertical gear	1	06182009C2(mm)
15	CL00000025	Snap ring	1	S25
16	0618501700	Spacer	2	
17	0618501900	Spring	1	
18	0618500700	Vertical transmission shaft seat	1	
19	B000001205	Bearing	1	1205(25x52x15)
20	CL01000052	Fixing ring	1	R52
21	AW04000M20	Serrate washer	1	AW04
22	AW04M20P15	Nut	1	AN04(M20x1.0P)
23	0618500500	Vertical indication ring	1	06185005A0(in)-ACER
24	06185004N0	Vertical graduation ring	1	06185004C0(mm) 06185004A0(in)-ACER
25	0618501800	Indication ring sleere	1	
26	KEYD050540	Pin	1	5x5x40
27	0618501600	Spacer	1	



CROSSFEED SCREW FIXING
 SOCKET ASSEMBLY
 (08185A0500)

CROSSFEED SCREW FIXING SOCKET ASSEMBLY (08185A0500)

NO.	DRAWING NO. /SPEC.	DESCRIPTION	QTY	NOTE
1	06185011A0	Crossfeed screw fixing socket	1	
2	08185002C0(公)	Crossfeed screw	1	08185002N0(in)
3	0618500900	Crossfeed nut adjusting ring	1	
4	KEYD050520	Pin	1	5x5x20
5	0618501500	Brush fixing pin	1	
6	0618402500	Ring	1	
7	B000051104	Bearing	1	51104(20x21x35x10)
8	0618400700	Crossfeed indication ring	1	
9	B00005204Z	Bearing	1	5204Z(20x47x20.6)
10	0618405400	Crossfeed indication ring sleeve	1	
11	06184004C0(公)	Crossfeed graduation ring	1	06184004N0(in)
12	AW04000M20	Serrate washer	1	AW04
13	AN04M20P15	Nut	1	AN04(M20x1.0P)
14	PIN0005030	Pin	1	5x30L
15	SS0000M620	Hand knob	1	M6x20L
16	WH00KSP200	Handwheel	1	KSP200(hollow)
17	WP00122003	Washer	1	12x20x3
18	NE00000M12	Nut	1	M12
19	HE00G90M10	Handle	1	FG90-M10
20	3060415700	Crossfeed screw washer	1	



TANK ASSEMBLY (HII~AHDII)
(08186A0100)

TANK ASSEMBLY (HII-AHDII 08186A0100)

NO.	DRAWING NO. /SPEC.	DESCRIPTION	QTY	NOTE
1	0818600100	Oil tank	1	
2	0818600500	Oil tank cover	1	
3	LOV0000003	Pressure-regulating valve	1	
4	MOT0162346	Oil motor	1	230/460V, 1HP, 3 ϕ
5	F000316726	Oil-feeding filter	1	
6	PUMPF14220	Oil pump	1	
7	08186A0200	Table reversing arrangement	1set	
8	SDV0G02C4A	Solenoid valve	1	
9	CON114T14T	Straight connection	1	1/4T x 1/4T
10	PG0014LA70	Pressure gauge	1	
11	PLUG000012	Hole plug	1	
12	OLTG000003	Oil level gage	1	
13	CON034T34H	90° Connection	1	
14	CONB38T180	Straight connection pipe	2	
15	CONB18T180	Straight connection pipe	1	
16	CONM10T10T	90° Inner&out connection	2	
17	CONB10T120	Straight connection pipe	1	
18	SUFT00MF08	Oil filter	1	
19	CON112T34H	Straight connection	1	
20	CLAW4074CA	Air cooler	1	For SV
21	CON012T38H	90° Connection	4	For SV ; HII-AHDII two pcs
22	CON112T38H	Straight connection	4	For SV ; HII-AHDII two pcs of BH0A00PT03
23	CONM14T14T	90° Inner&out connection	1	
24	NV00000002	Stop valves	1	
25	CONB12T180	Straight connection pipe	1	For SV
26	WP00061302	Flat washer	8	6x13x2
27	BH00061020	Inner hexagonal screw	8	M6x1.0Px20L

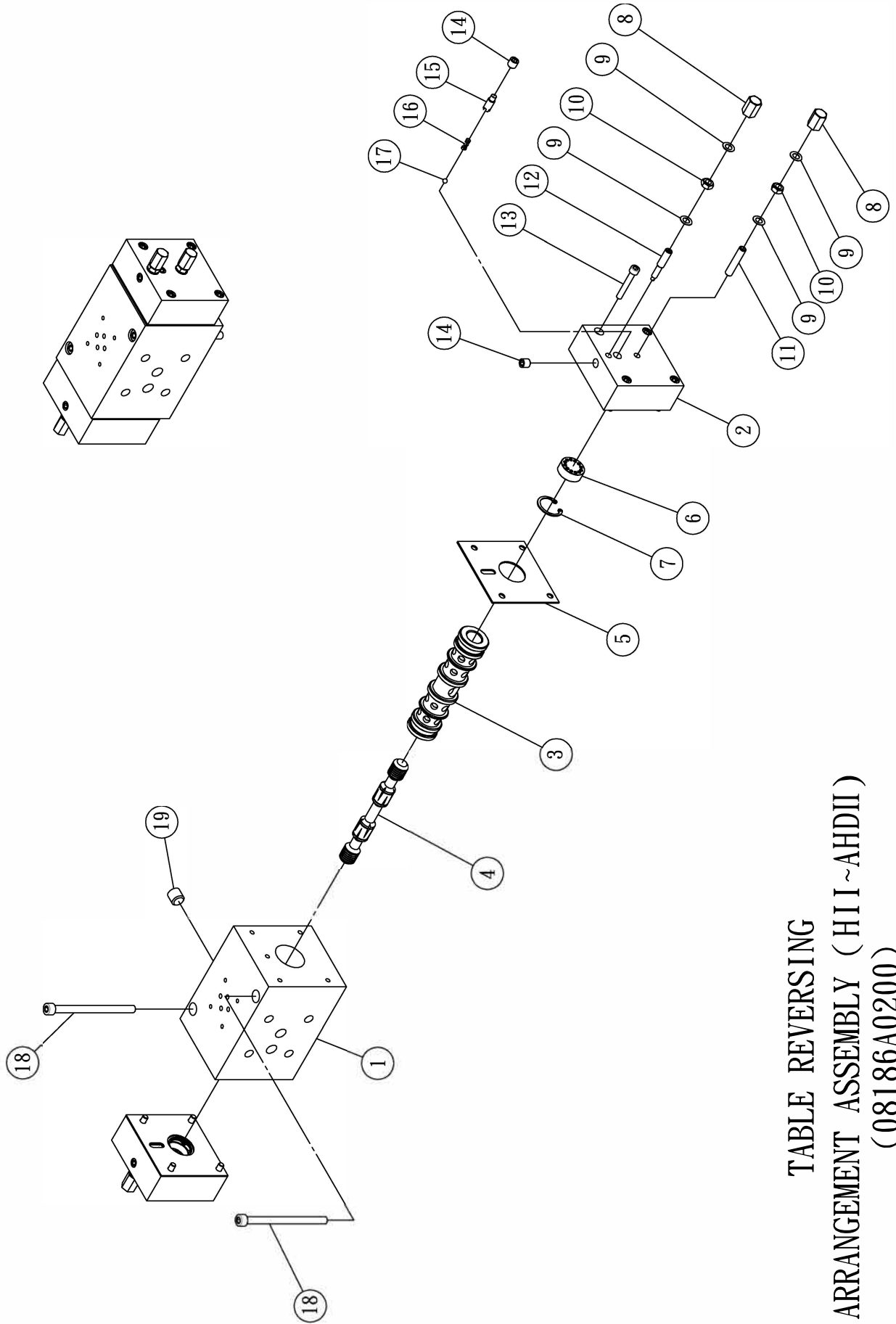
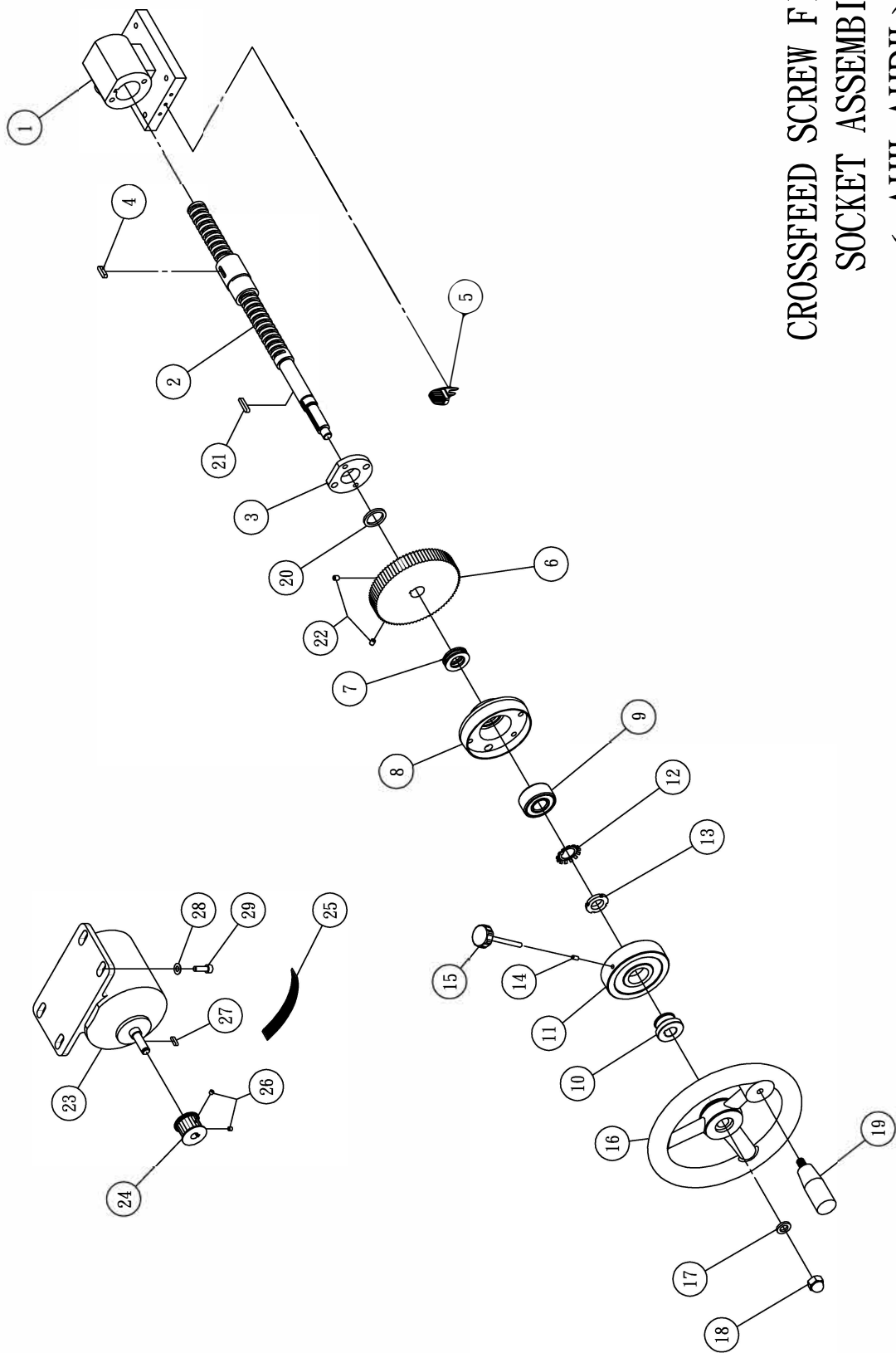


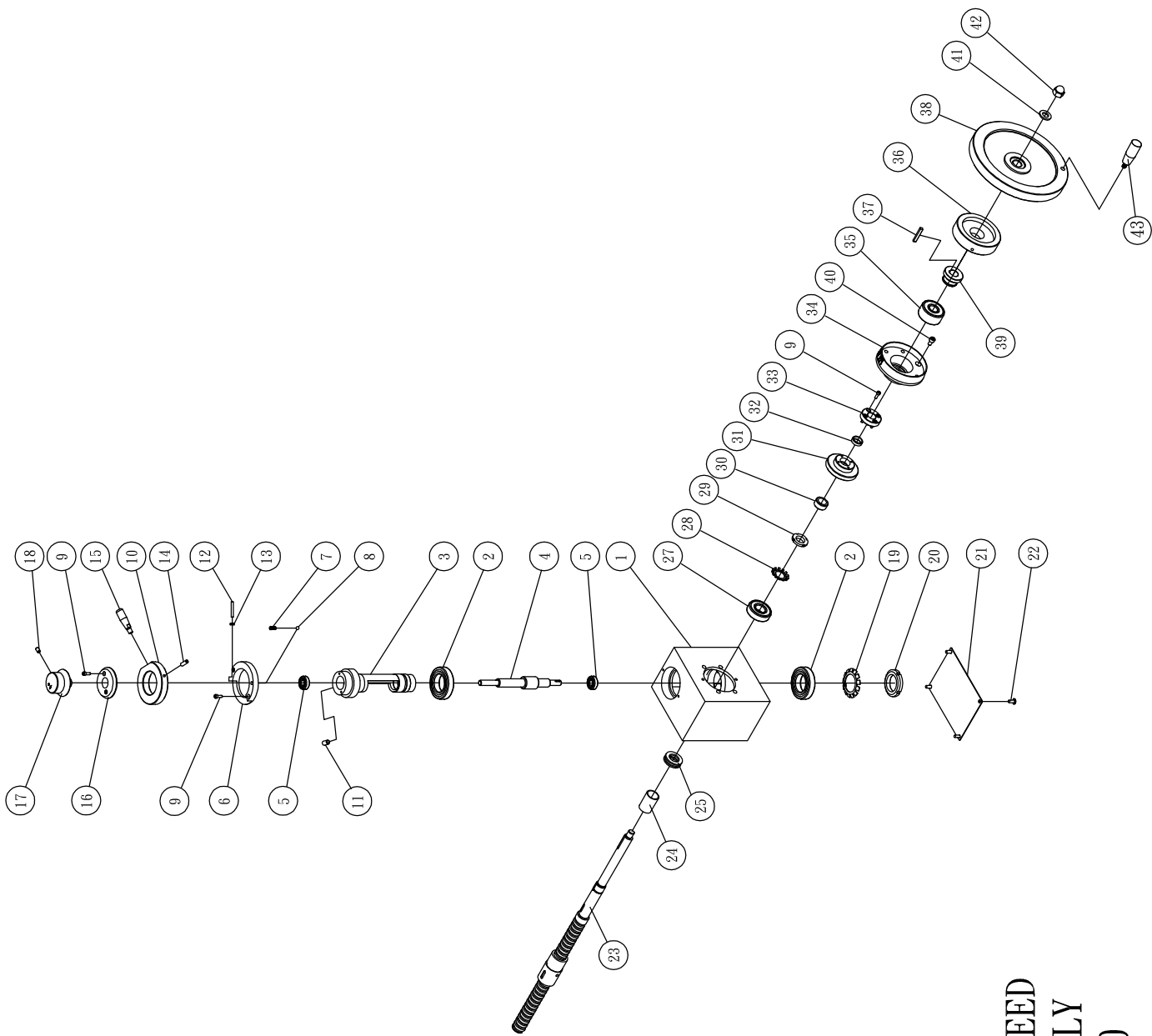
TABLE REVERSING
 ARRANGEMENT ASSEMBLY (HI I~AHDII)
 (08186A0200)



CROSSFEED SCREW FIXING
 SOCKET ASSEMBLY
 (AIII~AHDII)
 (08185A0700)

CROSSFEED SCREW FIXING SOCKET ASSEMBLY (AHII~AHDII)

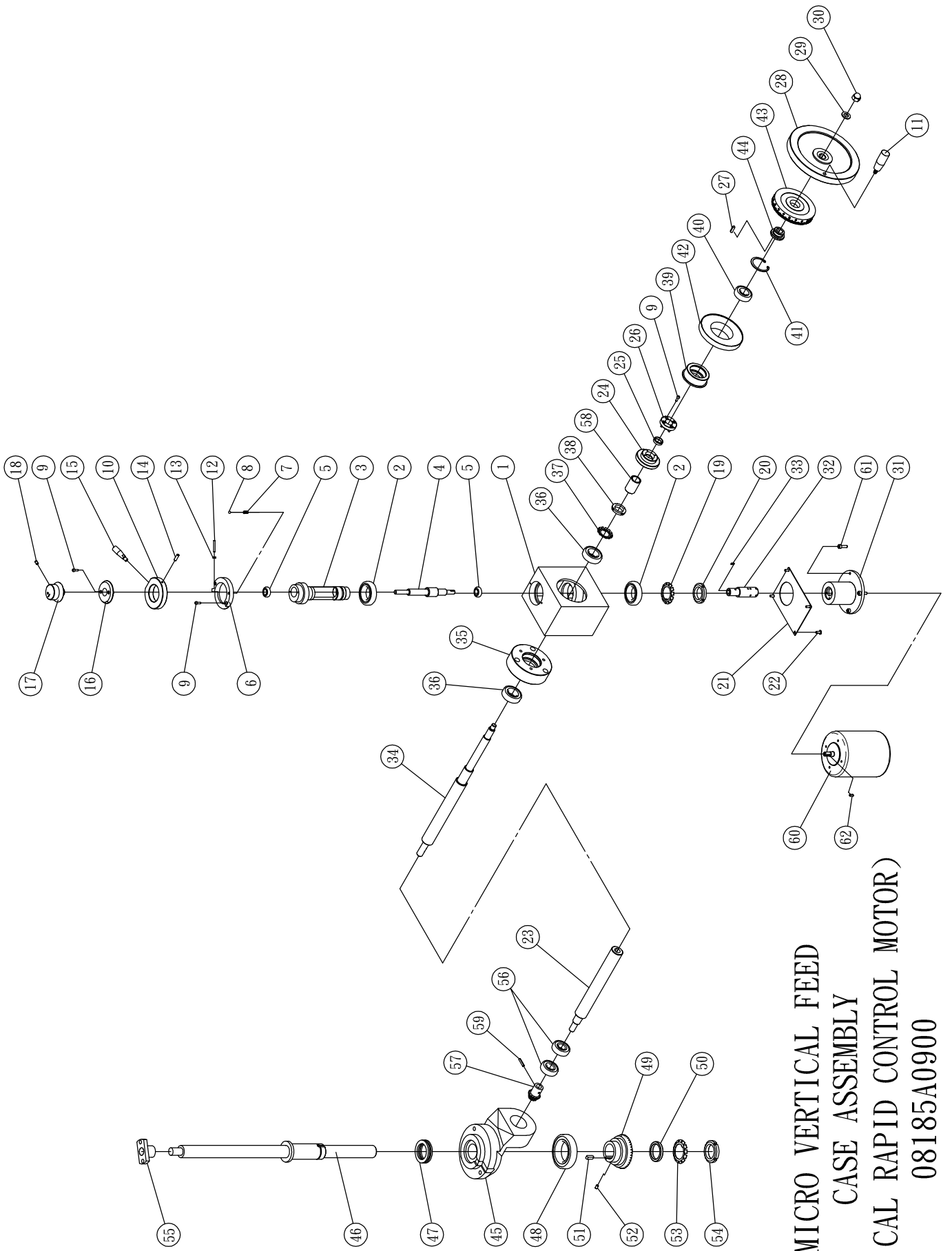
NO.	DRAWING NO. /SPEC.	DESCRIPTION	QTY	NOTE
1	06185011A0	Crossfeed screw fixing socket	1	
2	08185002N0	Crossfeed screw	1	
3	0618500900	Crossfeed nut adjusting ring	1	
4	KEYD050520	Pin	1	5x5x20
5	618-05-015	Brush fixing pin	1	
6	3060402300	F/R Blet wheel	1	
7	B000051104	Bearing	1	51104(20x21x35x10)
8	0618C00700	Crossfeed indication ring	1	
9	B00005204Z	Bearing	1	5204Z(20x47x20.6)
10	0618405400	Crossfeed indication ring sleeve	1	
11	06184004N0	Crossfeed graduation ring	1	mm : 06184004C0
12	AW04000M20	Serrate washer	1	AW04
13	AN04M20P15	Nut	1	AN04(M20x1.0P)
14	PIN0005030	Pin	1	5x30L
15	SS0000M620	Hand knob	1	M6x20L
16	WH00KSP200	Handwheel	1	
17	WP00122003	Washer	1	12x20x3
18	NE00000M12	Nut	1	M12
19	HE00G90M10	Handle	1	FG90-M10
20	3060415700	Washer	1	
21	KEYD050525	Pin	1	5x5x25L
22	BHU0061008	Inner hexagonal headless screw	2	M6-8L
23	MC01402200	Motor	1	CP-516L-40W-6P
24	30604023C0	F/R Blet wheel	1	
25	BS0020525	Time blet	1	525-RPP-5
26	BHU0050805	Inner hexagonal headless screw	2	M5-5L
27	KEYD040415	Pin	1	4x4x15L



MICRO CROSSFEED
CASE ASSEMBLY
08184A100

MICRO CROSSFEED CASE ASSEMBLY

NO.	DRAWING NO. /SPEC.	DESCRIPTION	QTY	NOTE
1	06184040M0	Micro crossfeed case	1	
2	B0006007ZZ	Bearing	2	6007ZZ(35x62x14)
3	06184C0400	Shaft	1	
4	06184C02N2	Micro crossfeed gear	1	mm : 06184C02M2
5	B0006000ZZ	Bearing	2	6000ZZ(10x26x8)
6	06184C0600	Ring	1	
7	SC00503006	Spring	1	∅ 6 OD x P3 x ∅0.6 x 18L
8	SB01000006	Steel ball	1	∅ 6
9	BH00040712	Inner hexagonal screw	8	M4x0.7Px12L
10	06184C0500	Ring	1	
11	BHU0081208	Inner hexagonal headless screw	1	M8-10L
12	BHU0040730	Screw	1	M4x0.7Px30L
13	NH000000M4	Nut	1	M4
14	BHU0061020	Inner hexagonal headless screw	1	M6-20L
15	06184C1300	Micro crossfeed handle	1	
16	06184C0300	Micro crossfeed indication ring	1	
17	06184C01N0	Micro crossfeed graduation ring	1	mm : 06184C01C0
18	BHU0061010	Inner hexagonal headless screw	1	M6-10L
19	AW07000M35	Serrate washer	1	AW07
20	AN07M35P15	Nut	1	AN07(M35x1.5P)
21	06185C0800	Micro crossfeed case cover board	1	
22	BRC0050810	Cross round head screw	4	M5x0.8Px10L
23	08185004N0	Micro crossfeed ballscrew	1	mm : 08185004C0
24	0618402500	Ring	1	
25	B000051104	Bearing	1	51104(20x21x35x10)
26				
27	B00006204Z	Bearing	1	6204Z(20x47x14)



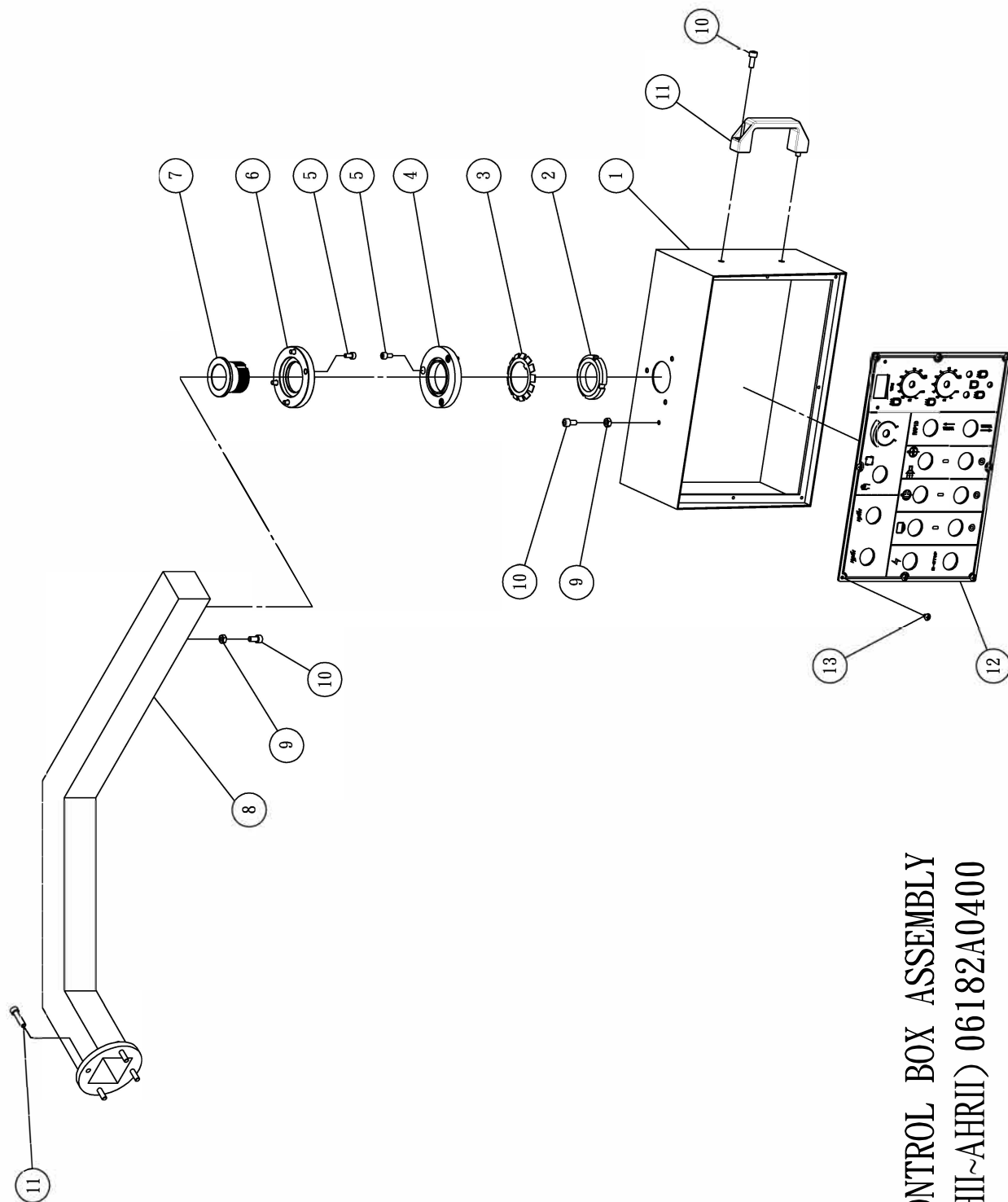
MICRO VERTICAL FEED
CASE ASSEMBLY
(VERTICAL RAPID CONTROL MOTOR)
08185A0900

MICRO VERTICAL FEED CASE ASSEMBLY (VERTICAL RAPID CONTROL MOTOR)

NO.	DRAWING NO. /SPEC.	DESCRIPTION	QTY	NOTE
1	06185D0700	Micro vertical feed case	1	
2	B0006007ZZ	Bearing	2	6007ZZ(35x62x14)
3	06184C0400	Micro vertical feed shaft	1	
4	06185D0202	Micro vertical feed gear	1	
5	B0006000ZZ	Bearing	2	6000ZZ(10x26x8)
6	06184C0600	Ring	1	
7	SC00503006	Spring	1	∅ 6 OD x P3 x ∅0.6 x 18L
8	SB01000006	Steel ball	2	∅ 6
9	BH00040712	Inner hexagonal screw	8	M4x0.7Px12L
10	06184C0500	Ring	1	
11	HA00R90M10	Handle	1	FR90-M10
12	BHU0040730	Screw	1	M4x0.7Px30L
13	NH000000M4	Nut	1	M4
14	BHU0061020	Inner hexagonal headless screw	1	M6-20L
15	06184C1300	Micro crossfeed handle	1	
16	06184C0300	Micro vertical feed indication ring	1	
17	06184C01N0	Micro vertical feed graduation ring	1	mm : 06184C01C0
18	BHU0061010	Inner hexagonal headless screw	1	M6-10L
19	AW07000M35	Serrate washer	1	AW07
20	AN07M35P15	Nut	1	AN07(M35x1.5P)
21	06185D0800	Micro vertical feed case cover board	1	
22	BRC0050810	Cross round head screw	4	M5x0.8Px10L
23	06185D1400	Vertical feed gear shaft	1	
24	06185D0201	Micro vertical feed gear	1	
25	RING00SC20	Spacer ring	1	SC-20
26	06185D1000	Micro vertical feed fixing ring	1	
27	KEYD050520	Pin	1	5x5x20

MICRO VERTICAL FEED CASE ASSEMBLY (VERTICAL RAPID CONTROL MOTOR)

NO.	DRAWING NO. /SPEC.	DESCRIPTION	QTY	NOTE
28	WH00KRA200	Handwheel	1	KRA200
29	WP00122003	Washer	1	13x24x2.5
30	NE00000M12	Nut	1	M12
31	06185D19AS	Vertical feed motor socket	1	AHR: 06185D193A
32	06185D18C2	Vertical feed motor shaft	1	AHR: 06185D1800
33	KEYD030310	Pin	1	3x3x10
34	08185D1200	Vertical feed handwheel shaft	1	
35	06185D1600	Micro vertical feed case fixing seat	1	
36	B0006205ZZ	Bearing	2	6205ZZ(25x52x15)
37	AW05000M25	Serrate washer	1	AW05
38	AN05M25P15	Nut	1	AN05(M25x1.5P)
39	06185D1700	Micro vertical feed case fixing ring	1	
40	B0006204ZZ	Bearing	1	6204ZZ(20x47x14)
41	CL01000047	Fixing ring	1	R47
42	0618500500	Vertical feed indication ring	1	ACER(in) : 06185005A0
43	06185004N0	Vertical feed graduation ring	1	ACER(in) : 06185004A0
44	0618501800	Indication ring sleeve	1	
45	0618201000	Vertical screw fixing seat	1	
46	06185650NL	Vertical leadscrew	1	06185011C0 (mm)
47	B000051108	Bearing	1	51108(40x42x60x13)
48	B0006011ZZ	Bearing	1	6011ZZ(55x90x18)
49	06182014N1	Gear	1	mm : 06182014C1
50	0618502300	Spacer	1	
51	KETD070722	Pin	1	7x7x22
52	BHU0061010	Inner hexagonal headless screw	1	M6-10L
53	AW08000M40	Serrate washer	1	AW08
54	AN08M40P15	Nut	1	AN08(M40x1.5P)

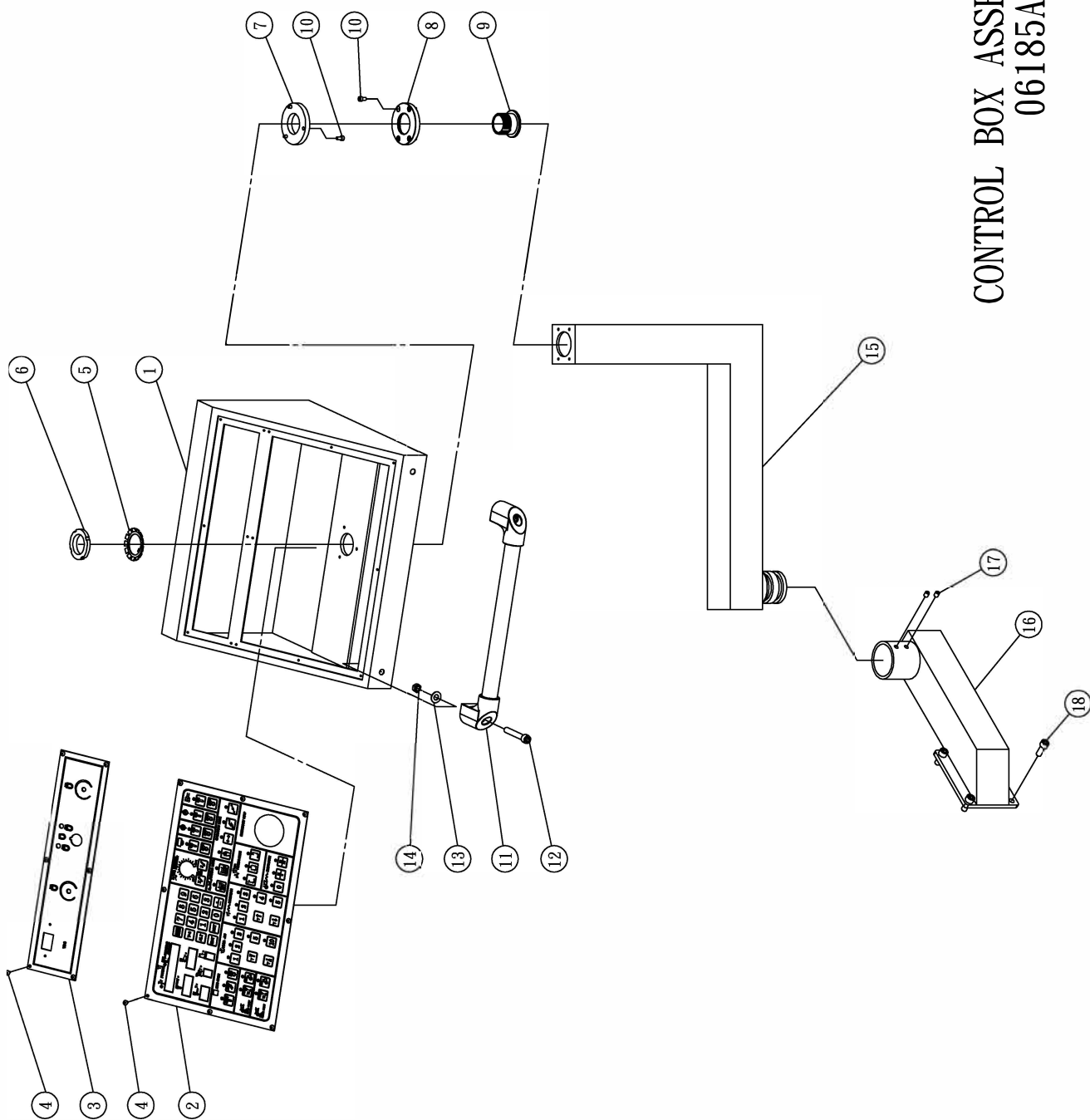


CONTROL BOX ASSEMBLY
(HII~AHRII) 06182A0400

CONTROL BOX PARTS LIST (H11 ~ AHR1D)

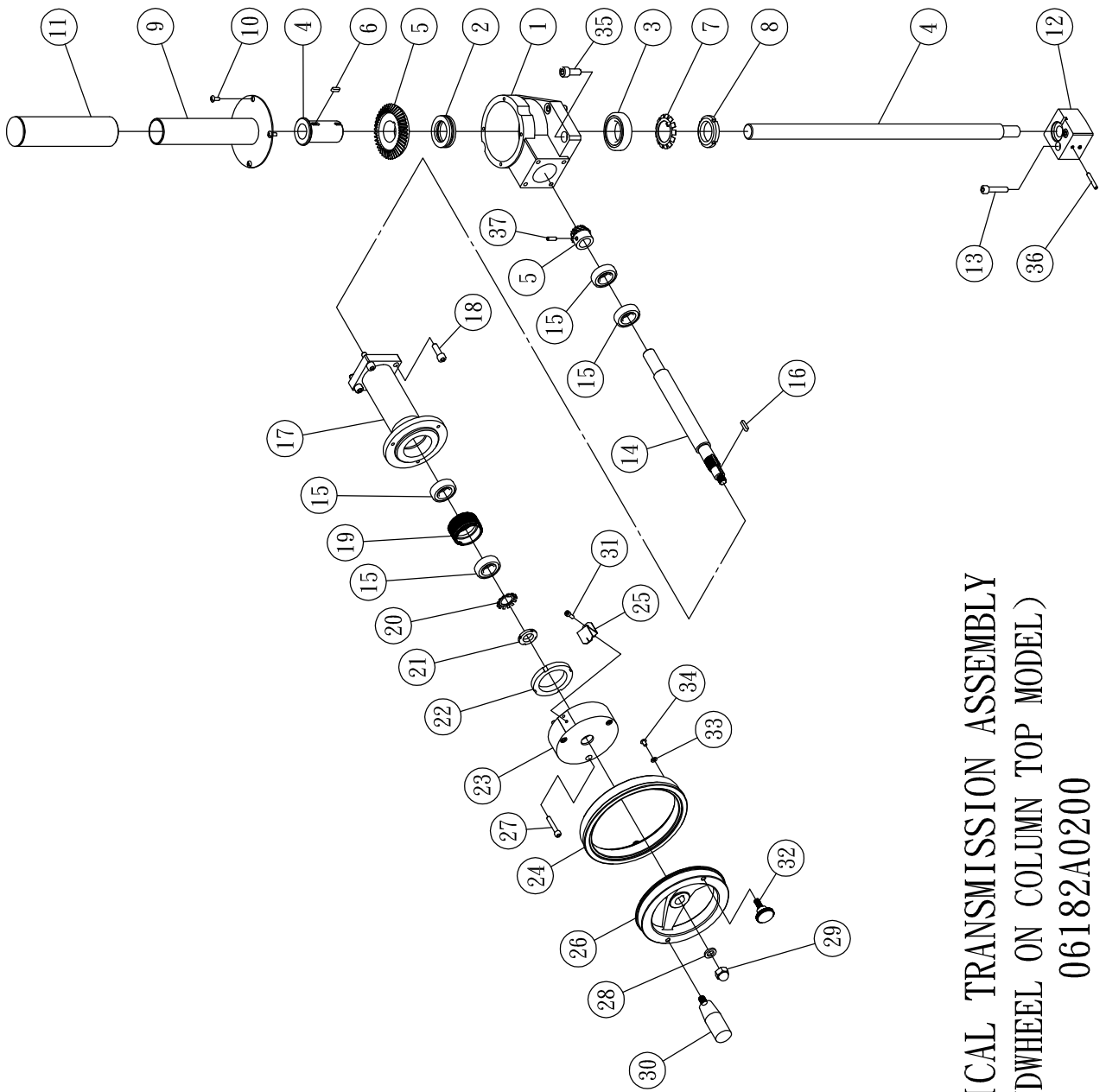
NO.	DRAWING NO. /SPEC.	DESCRIPTION	QTY	NOTE
1	0618202200	Control box	1	
2	AN07M35P15	Nut	1	AN07(M35x1.5P)
3	AW07000M35	Washer	1	AW07
4	0618202100	Fixing seat	1	
5	BH00050810	Inner hexagonal screw	7	M5x0.8Px10L
6	0618202600	Fixing ring	1	
7	0618202000	Control box turning shaft	1	
8	0618201700	Supporting arm	1	
9	NH000000M6	Nut	2	M6
10	BH00061012	Inner hexagonal screw	4	M6x1.0Px12L
11	HA01121194	Handle	1	1211-94
12	0618504800	Control panel	1	
13	BRC0040706	Cross head screw	8	M4x0.7Px6L

CONTROL BOX ASSEMBLY (AHDII)
06185A0800



CONTROL BOX PARTS LIST (AHDII)

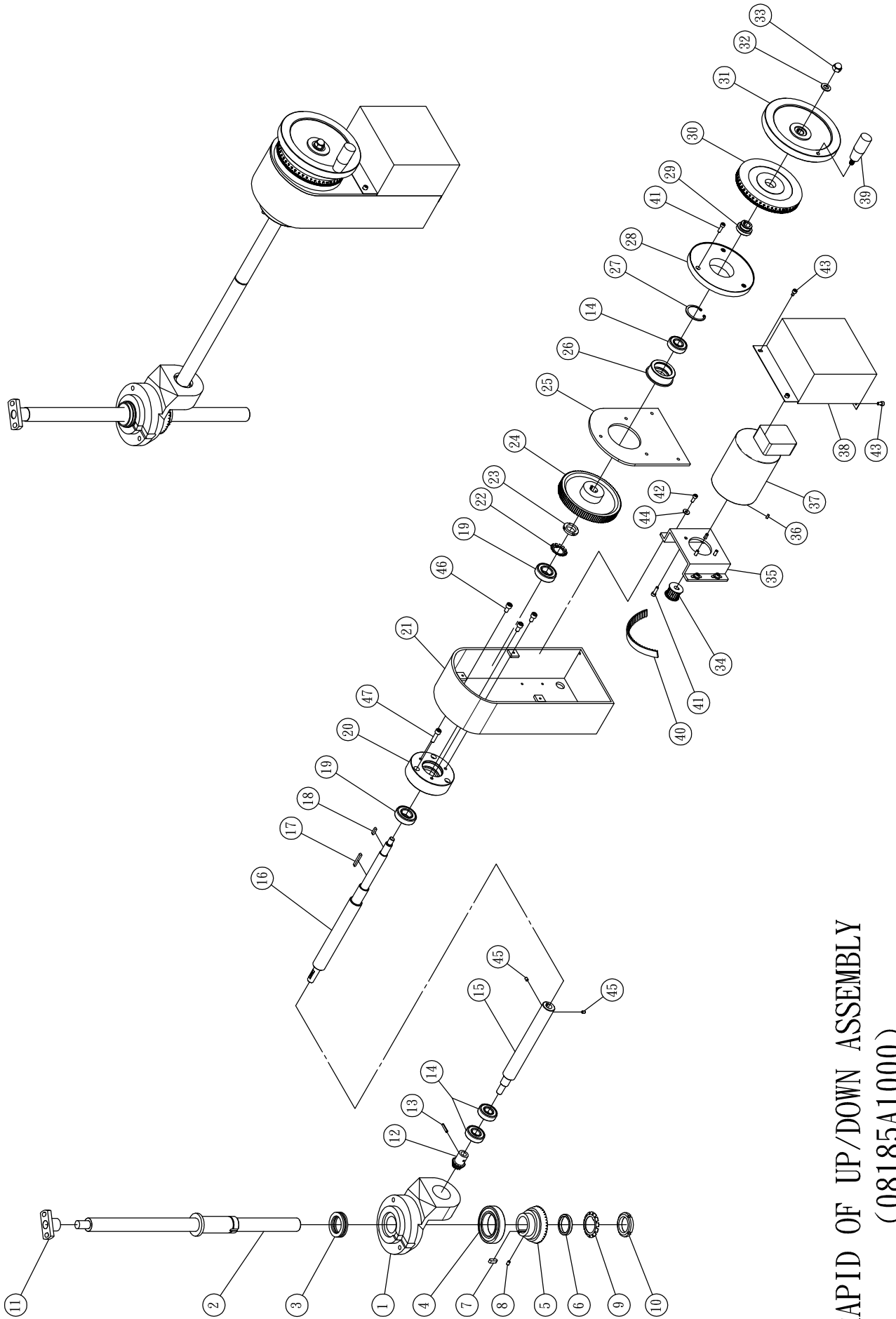
NO.	DRAWING NO. /SPEC.	DESCRIPTION	QTY	NOTE
1	3060510100	Control box	1	618 / 818
2	3060515300	Control panel	1	
3	3060515400	Chuck control	1	
4	BHB0040708	Flat head screw	14	M4x0.7Px8L AW08
5	AW08000M40	Washer	1	AN08 (M40x1.5P)
6	AN08M40P15	Nut	1	
7	0618202100	Fixing seat	1	
8	0618202600	Fixing ring	1	
9	0618502000	Control box turning shaft	1	M5x0.8Px10L
10	BH00050810	Screw	7	1330-400
11	HA01330400	Handle	1	M10x1.5Px60L
12	BH00101560	Round head screw	2	10x23x2
13	WP01102302	Washer	2	M10
14	NH00000M10	Nut	2	
15	0618505600	Supporting arm B	1	
16	0618505500	Supporting arm A	1	M8-12L
17	BHU0101512	Headless screw	2	M10x1.5Px25L
18	BH00101525	Inner hexagonal screw	4	



VERTICAL TRANSMISSION ASSEMBLY
 (HANDWHEEL ON COLUMN TOP MODEL)
 06182A0200

VERTICAL TRANSMISSION ASSEMBLY

NO.	DRAWING NO. /SPEC.	DESCRIPTION	QTY	NOTE
1	06182V0100	Gear set	1	
2	B000051107	Bearing	1	51107(35x37x52x12)
3	B0006007ZZ	Bearing	1	6007ZZ(35x62x14)
4	06182V0800	Vertical screw	1	
5	06182V0700	Bevel gear	1	
6	KEYD050515	Pin	1	5x5x15
7	AW07000M35	Serrate washer	1	AW07
8	AN07M35P15	Nut	1	AN07 (M35x1.5P)
9	06182V0900	Top cover set	1	
10	BRC0050812	Cross round head screw	4	M5x0.8Px12L
11	06182V1000	Top cover	1	
12	06182V0300	Connect bracket	1	
13	BH00081230	Inner hexagonal screw	2	M8x1.25Px30L
14	06182V0600	Transmission shaft	1	
15	B0006004ZZ	Bearing	4	6004ZZ(20x42x12)
16	KEYD050520	Pin	1	5x5x20
17	06182V0200	Bracket	1	
18	BH00081225	Inner hexagonal screw	4	M8x1.25Px25L
19	06182V0500	Bearing set	1	
20	AW04000M20	Serrate washer	1	AW04
21	AN04M20P15	Nut	1	AN04 (M20x1.5P)
22	AN10000M50	Nut	1	AN10
23	06182V0400	Indication needle seat	1	
24	06182V1400	Vertical feed graduation ring	1	
25	06182V1100	Indication needle	1	
26	06182V1500	Handwheel	1	
27	BH00061035	Inner hexagonal screw	3	M6x1.0Px35L



RAPID OF UP/DOWN ASSEMBLY
(08185A1000)

RAPID OF UP/DOWN ASSEMBLY (08185A1000)

NO.	DRAWING NO. /SPEC.	DESCRIPTION	QTY	NOTE
1	0618201000	Vertical screw fixing seat	1	
2	06185650NL	Vertical leadscrew	1	
3	B000051108	Bearing	1	51108(40x42x60x13)
4	B0006011ZZ	Bearing	1	6011ZZ(55x90x18)
5	06182014N1	Gear	1	
6	0618502300	Spacer	1	
7	KETD070722	Pin	1	7x7x22
8	BHU0061010	Inner hexagonal headless screw	2	M6-8L
9	AW08000M40	Serrate washer	1	AW08
10	AN08M40P15	Nut	1	AN08(M40x1.5P)
11	0618501300	Vertical leadscrew nut	1	
12	06182009N2	Gear	1	mm : 06182009C2
13	PINS005025	Spring pin	1	∅ 5x25L
14	B0006204ZZ	Bearing	2	6204ZZ(20x47x14)
15	08185D0100	Vertical feed gear shaft	1	
16	08185D1200	Vertical feed handwheel shaft	1	
17	KEYD050540	Pin	1	5x5x40
18	KEYD050520	Pin	1	5x5x20
19	B0006205ZZ	Bearing	2	6205ZZ(25x52x15)
20	06185D1600	Micro vertical feed case fixing seat	1	
21	0818501100	Feed case	1	
22	AW05000M25	Serrate washer	1	AW05
23	AN05M25P15	Nut	1	AN05(M25x1.5P)
24	0818501500	F/R Belt wheel	1	
25	0818501200	Rapid UP/DOWN of cover	1	
26	06185D1700	Micro vertical feed case fixing ring	1	
27	CL0100047	Fixing ring	1	R47

RAPID OF UP/DOWN ASSEMBLY (08185A1000)

NO.	DRAWING NO. /SPEC.	DESCRIPTION	QTY	NOTE
28	06185005A0	Crossfeed indication ring	1	
29	0618501800	Indication ring sleeve	1	
30	06185004A0	Vertical feed graduation ring	1	
31	WH00KRA200	Handwheel	1	KRA200
32	WP00122003	Washer	1	12x20x3
33	NE00000M12	Nut	1	M12
34	30604023C0	F/R Belt wheel	1	
35	0818501300	Motor adustment block	1	
36	KEYD040412	Pin	1	4x4x12
37	MU01802200	Motor	1	TC-516AL 80W
38	0818501400	Motor cover	1	
39	HA00R90M10	Handle	1	
40	BS00200755	Time blet	1	HTD-755-5M-20mm
41	BH00061020	Inner hexagonal screw	7	M6x1. 0Px20L
42	BH00061015	Inner hexagonal screw	4	M6x1. 0Px15L
43	BH00061010	Inner hexagonal screw	4	M6x1. 0Px10L
44	WP00061602	Washer	4	6x16x2
45	BHU0061008	Inner hexagonal headless screw	2	M6x1. 0Px8L
46	BH00081216	Inner hexagonal screw	3	M8x1. 25Px16L
47	BH00081230	Inner hexagonal screw	3	M8x1. 25Px30L