
.EC MACHINERY DIRECTIVE 89/392/EEC
PARTS LIST

PRESERVE THIS MANUAL FOR
FUTURE REFERENCE AND USE

MACHINE NAME: HORIZONTAL SURFACE GRINDING MACHINE

BRAND: ACER

MODEL: SUPRA 8 1 8 P D

MANUFACTURE: YA-GIN MACHINE TOOL MANUFACTURING INC.

ADDRESS: NO 101, LANE 506, SEND-TSO RD., SENG-KARNG
DISTRICT, TAICHUNG CITY, TAIWAN

TELEPHONE: 886-4-2520-4120

FAX.: 886-4-2520-4123

INTERNET: www.aceronline.net
www.acerlinks.com

E-mail: info@acerlinks.com
info@aceronline.net

CONTENT

1 :Spindle	PL-01
2 :Column	PL-02
3 :Vertical Assembly	PL-03
4 :Crosswise Drive.....	PL-04
5 :Saddle Crosswise Drive	PL-05
6 :Longitudinal Transmitting Set & Saddle Dust.....	PL-06
7 :Table Longitudinal Drive	PL-07
8 :Base.....	PL-08
9 :Guard and Magnetic Chuck	PL-09
10 :Hydraulic Cylinder system	PL-10
11 : Hydraulic Tank System	PL-10
12 : Table Reversing Mechanism	PL-10

※ Following parts list are for many kinds of models. As there are several different specification of parts depends on different orders, please check carefully before placing any order. And you shall be able to contact local distributor for correct parts by this way. Thank you your attention to the above.

Approved by:

Checked by:

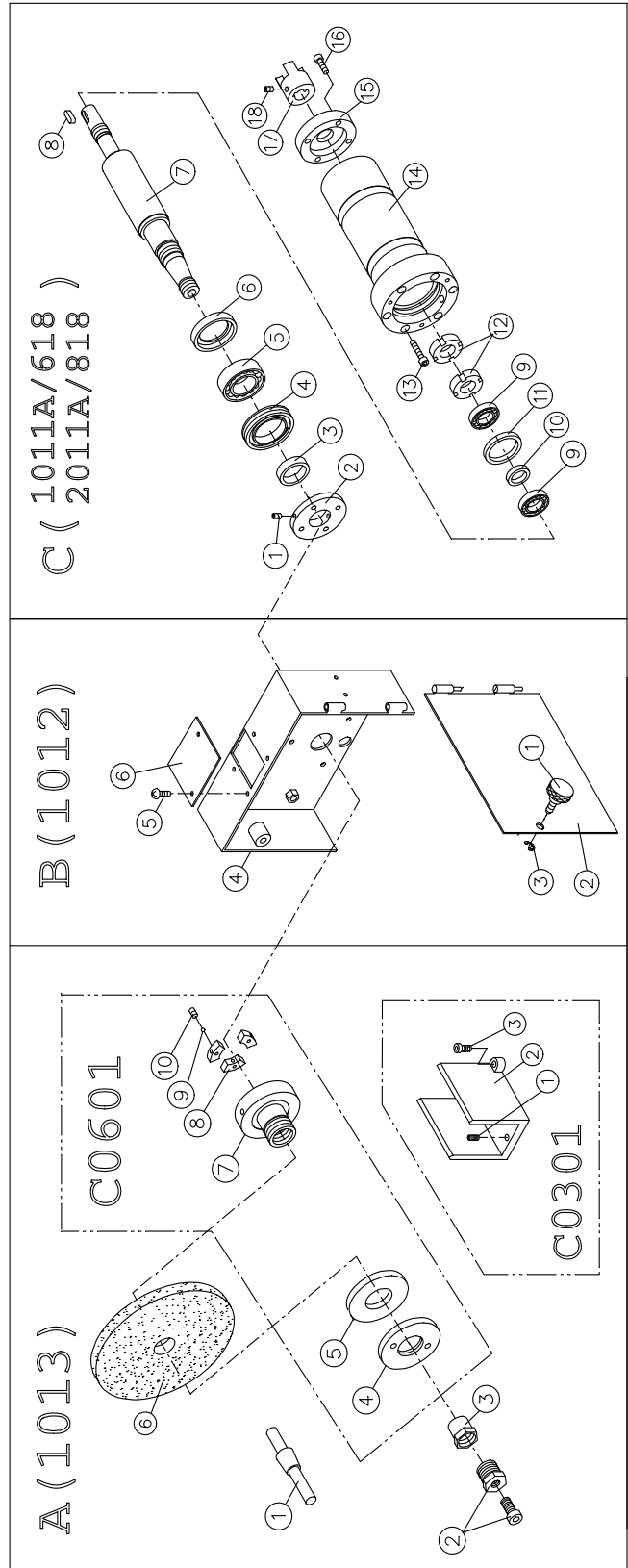
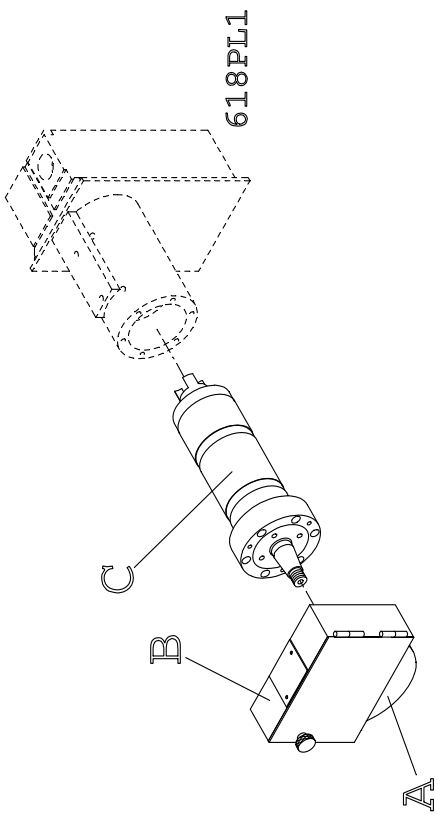
Prepared by:

VERSION: 1

Date:

SPINDLE

SPINDLE



SPINDLE (818)

A: WHEEL ASSEMBLY (1013)

NO.	PART NO.	DESCRIPTION	Q,TY	SIZE
1.	1080001005	BALANCING ARBOR	1	
2.		WHEEL extractor	1	
3.	2630008005	NUT	1	
4.	3950007005	WHEEL SETTING NUT	1	
5.	3930006005	WASHER	1	
6.		GRINDING WHEEL	1	ϕ 203x31.75x12
7.	3920018005	WHEEL HUB	1	
8.	3960006005	BALANCE BLOCK	3	
9.		STEEL BALL	3	ϕ 4
10.		SET SCREW	3	M5x5L

BALANCING STAND (C0301)

NO.	PART NO.	DESCRIPTION	Q,TY	SIZE
1.		SET SCREW	1	M8x16L
2.	1000001005	BALANCING STAND	1	
3.		HEX SOCKET SCREW	2	M8x25L

B: WHEEL GUARD (1012)

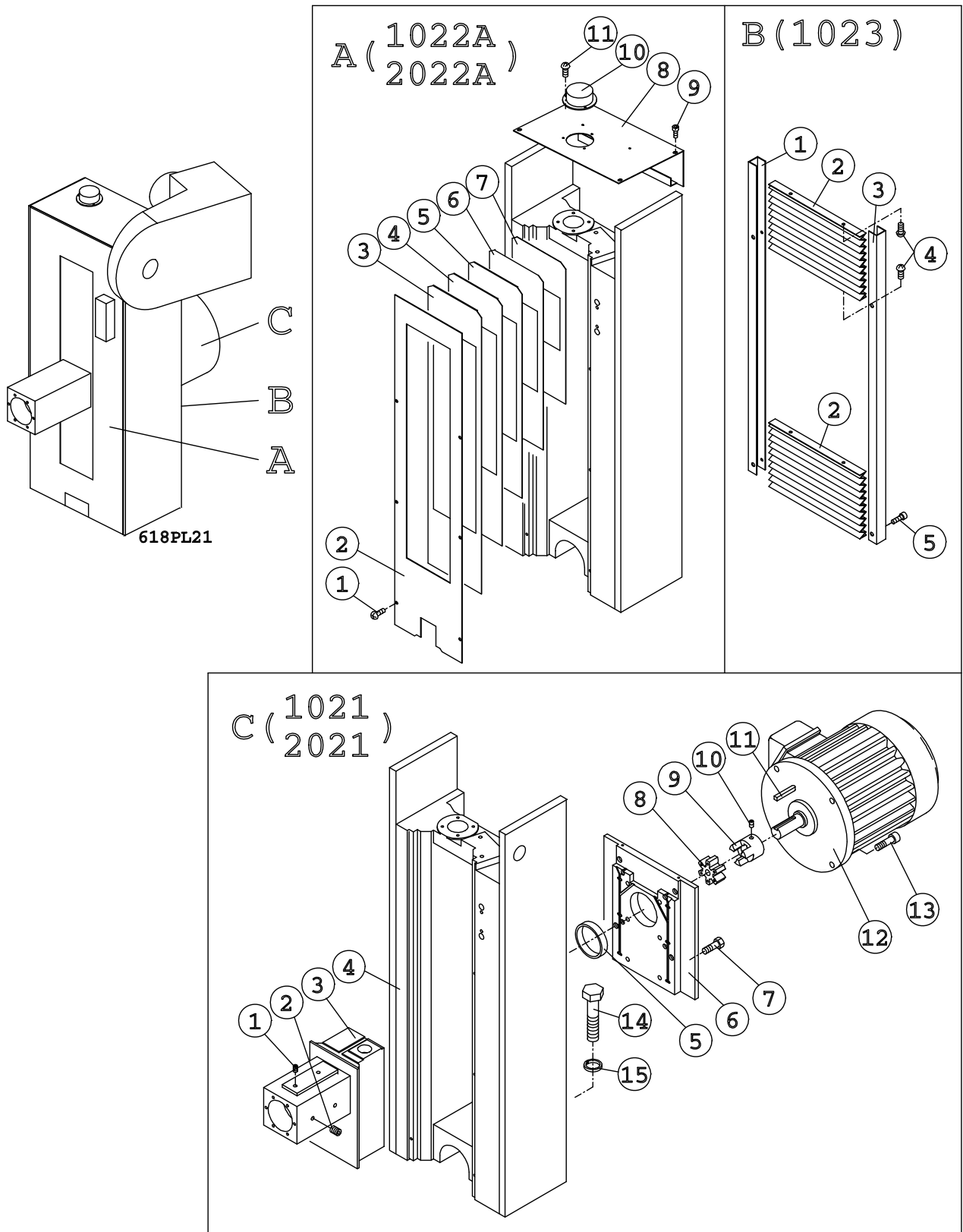
NO.	PART NO.	DESCRIPTION	Q,TY	SIZE
1.	2630014005	LOCK SCREW	1	
2.	3900028005	WHEEL GUARD DOOR	1	
3.		RETAINING RING	1	E8
4.	1910001005	WHEEL GUARD	1	
5.		CROSS HEAD SCREW	2	M5x8L
6.	3500036005	COVER	1	

C: SPINDLE ASSEMBLY (2011A)

NO.	PART NO.	DESCRIPTION	Q,TY	SIZE
1.		SET SCREW	1	M5x5L
2.	2630005005	SETTING NUT	1	
3.	1460001005	COLLAR	1	
4.	2630002005	PRESSING PLATE	1	
5.		BALL BEARING	1	NN3006
6.	1440006005	SPACING RING	1	
7.	1050007005	SPINDLE	1	
8.		SETTING KEY	1	6x6x15L
9.		BALL BEARING	2	#7204C
10.	1440003005	BEARING WASHER	1	
11.	1440004005	NEARING WASHER	1	
12.		SETTING NUT	2	AN04
13.		HECX SOCKET SCREW	6	M6x30L

NO.	PART NO.	DESCRIPTION	Q,TY	SIZE
14.	1430020005	SPINDLE HOUSING	1	
15.	3500035005	REAR COVER	1	
16.		HEX SOCKET SCREW	4	M6x25L
17.	2770011005	COUPLING	1	
18.		SET SCREW	2	M6x6L

COLUMN



COLUMN (818)

A: FRONT COVER SHEET ASSEMBLY (2022A)

NO.	PART NO.	DESCRIPTION	Q,TY	SIZE
1.		CROSS HEAD SCREW	6	M5x8L
2.	3500043015	FRONT GUARD	1	
3.	2000038005	FRONT GUARD	1	
4.	2000039005	FRONT GUARD	1	
5.	2000040005	FRONT GUARD	1	
6.	2000041005	FRONT GUARD	1	
7.	2000042005	FRONT GUARD	1	
8.	2000046005	COVER	1	
9.		CROSS HEAD SCREW	4	M6x10L
10.	2000053005	ENCODER COVER	2	
11.		CROSS HEAD SCREW	3	M4x8L

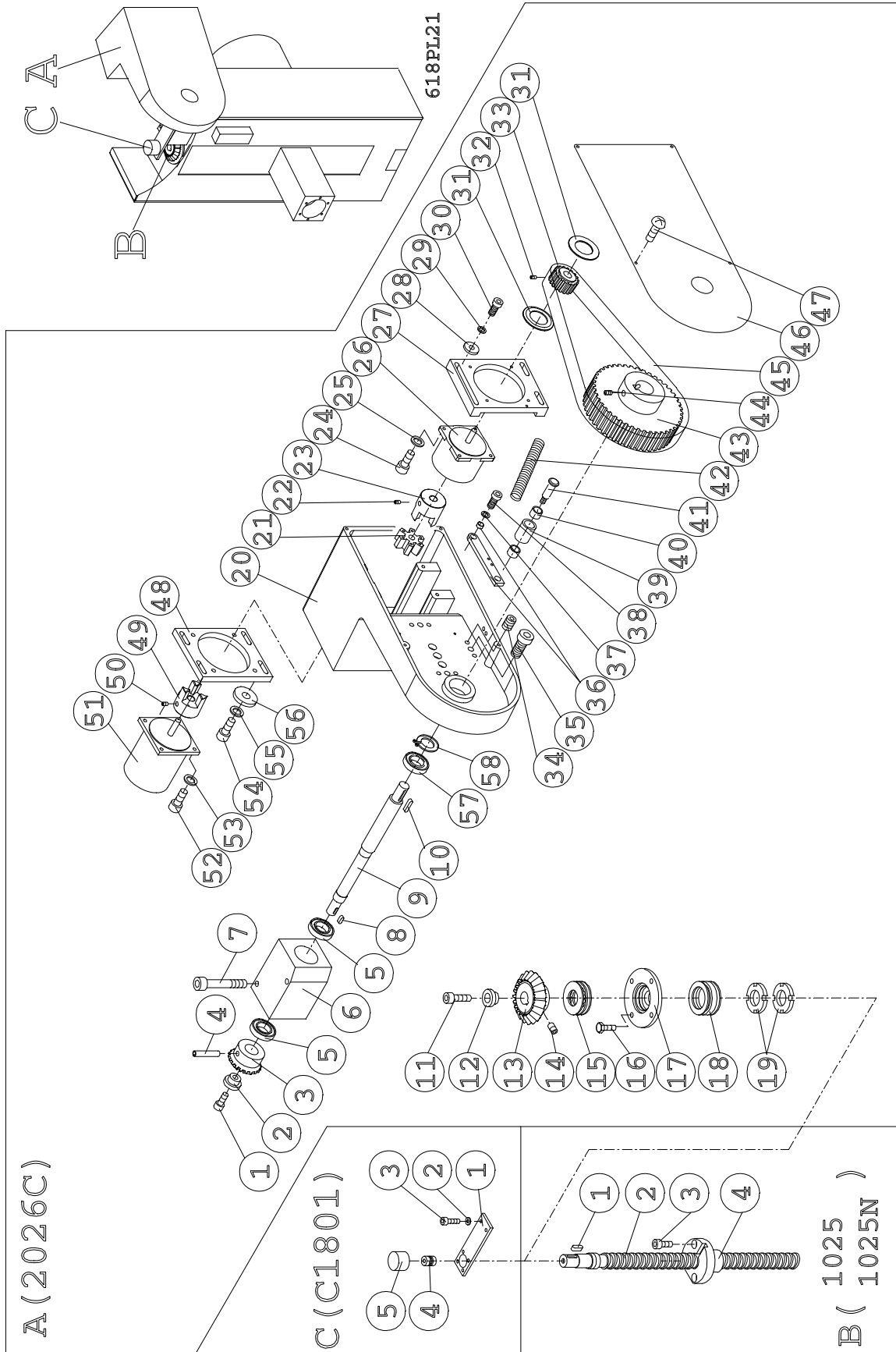
B: REAR COVER SHEET ASSEMBLY (1023)

NO.	PART NO.	DESCRIPTION	Q,TY	SIZE
1.	2260002005	PLATE SEAT	1	
2.	3500040005	TELESCOPIC COVER	2	
3.	2260001005	PLATE SEAT	1	
4.		CROSS HEAD SCREW	8	M4x10L
5.		HEX HEAD SCREW	4	M4x6L

C: COLUMN AND SPINDLE SEAT (2021)

NO.	PART NO.	DESCRIPTION	Q,TY	SIZE
1.		SET SCREW	2	M8x14L
2.		SET SCREW	6	M6x12L
3.	0106006005	HEAD STOCK	1	
4.	0206005005	COLUMN	1	
5.	1440005005	BUSHING	1	
6.	1700001005	MOTOR SUPPORT	1	
7.		HEX HEAD SCREW	6	M8x25L
8.	2760001005	RUBBER COUPLING	1	
9.	2770013005	COUPLING	1	
10.		SET SCREW	2	M6x8L
11.		KEY	1	8x7x40L
12.		MOTOR (2.0 HP)	1	
13.		HEX SOCKET SCREW	4	M10x30L
14.		HEX AGON HEAD SCREW	4	M16x60L
15.		SPRING WASHER	4	φ 16

VERTICAL ASSEMBLY



VERTICAL ASSEMBLY

A: VERTICAL TRANSMITTING ASSEMBLY (2026C)

NO.	PART NO.	DESCRIPTION	Q,TY	SIZE
1.		HEX SOCKET SCREW	1	M5x14L
2.	2410001005	WASHER	1	
3.	1200020005	PINION GEAR	1	
4.		SPRING PIN	1	ϕ 4x25L
5.		BALL BEARING	2	6002NR
6.	1800001005	SHAFT SEAT	1	
7.		HEX SOCKET SCREW	2	M6x65L
8.		SETTING KEY	1	4x4x10L
9.	1030027005	SHAFT	1	
10.		SETTING KEY	1	5x5x22L
11.		HEX SOCKET SCREW	1	M6x20L
12.	2640001005	WASHER	1	
13.	1200019005	BEVER GEAR	1	
14.		SET SCREW	1	M5x14L
15.		THRUST NEDDLE BEARING	1	51103
16.		HEX HEAD SCREW	4	M5x15L
17.	0010001005	BEARING SEAT	1	
18.		THRUST NEEDLE BEARING	1	ANK1730,AS1730,CS1730
19.		SETTING NUT	2	AN04
20.	1820003005	MOTOR SUPPORTER	1	
21.	2760001005	RUBBER COUPLING	1	
22.		SET SCREW	4	M6x8L
23.	2770019005	COUPLING	1	
24.		HEX SOCKET SCREW	4	M6x16L
25.		SPRING WASHER	4	ϕ 6
26.	4300001005	STEPPING MOTOR	1	
27.	1700013005	MOTOR SUPPORT	1	
28.		WASHER	4	ϕ 6
29.		SPRING WASHER	4	ϕ 6
30.		HEX SOCKET SCREW	4	M6x25L
31.	2490027005	RING WASHER	2	
32.		SET SCREW	2	M5x8L
33.	1210009005	TIMING BELT PULLEY(SMALL)	1	
34.		SET SCREW	1	M8x20L
35.		HEX SOCKET SCREW	3	M6x25L
36.	0640027005	PRESSING BAR OF BELT	1	
37.		WASHER	1	ϕ 6
38.		HEX SOCKET SCREW	1	M6x20L
39.		BUSHING	1	
40.		NEEDLE BEARING	2	NHK-1212
41.		GEAR SHAFT	1	
42.		SPRING	1	

NO.	PART NO.	DESCRIPTION	Q,TY	SIZE
43.	1210005005	TIMING BELT PULLEY	1	
44.		SET SCREW	2	M5x8L
45.		TIMING BELT	1	T5x156Tx12mm
46.	2000373005	SAFETY COVER	1	
47.		CROSS HEAD SCREW	1	
48.	1700014005	MOTOR SUPPORT	1	
49.	2770018005	COUPLING	1	
50.		SET SCREW	1	M6x8L
51.	G03AD00011	MOTOR	1	
52.		HEX SOCKET SCREW	4	M6x20L
53.		SPRING WASHER	4	φ 6
54.		HEX SOCKET SCREW	4	M6x25L
55.		SPRING WASHER	4	φ 6
56.		WASHER	4	φ 6
57.		BALL BEARING	1	6002
58.		C SHARP RING	1	C14

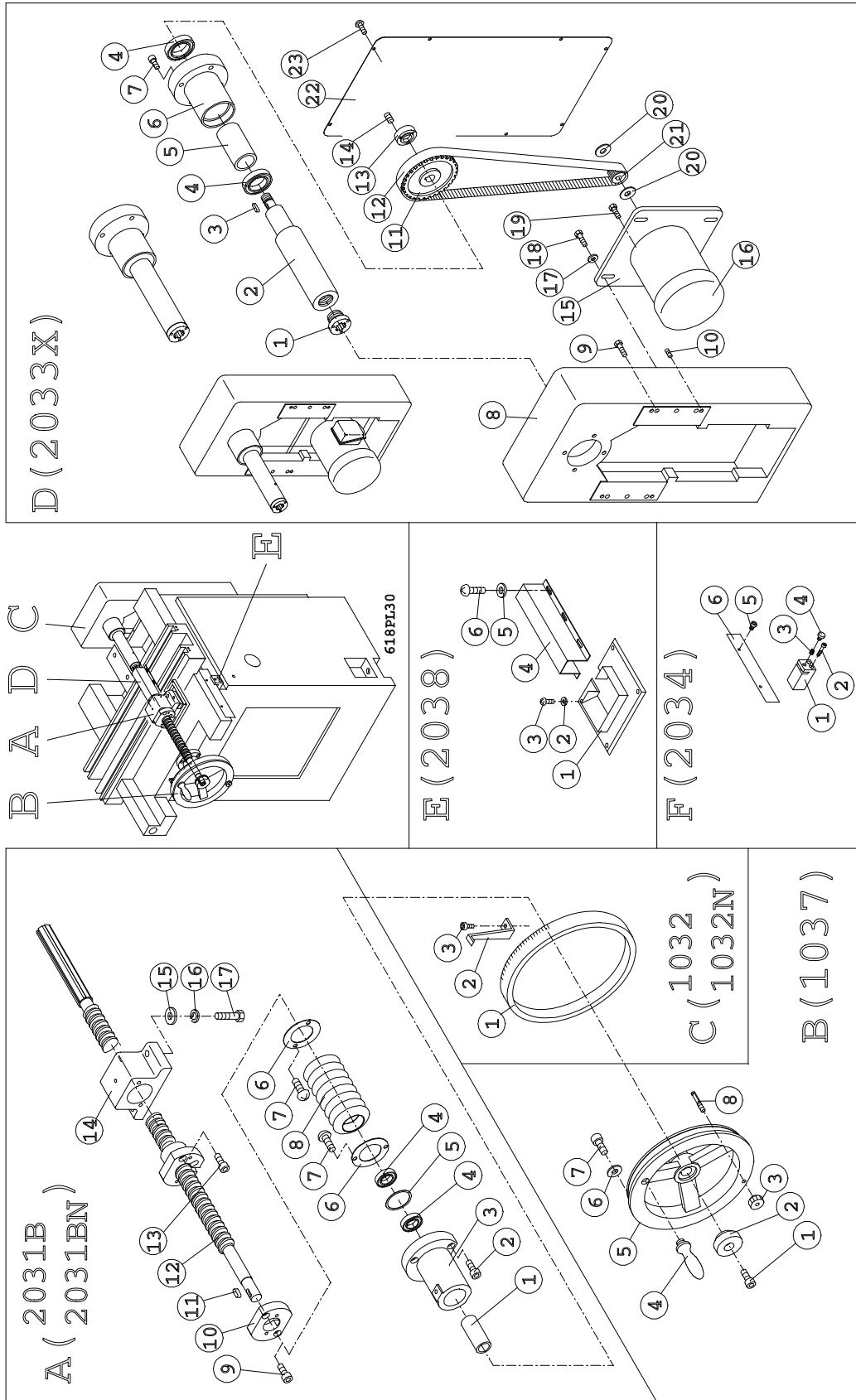
B: VERTICAL LEADSCREW ASSEMBLY (1025&1025N)

NO.	PART NO.	DESCRIPTION	Q,TY	SIZE
1.		SETTING KEY	1	5x5x15L
2.	1130001005	ELEVATING LEADSCREW	1	(1025)
	1130002005	ELEVATING LEADSCREW	1	(1025N)
3.		HEX SOCKET SCREW	2	M6x16L
4.	2630017005	LEADSCREW NUT	1	(1025)
	2630018005	LEADSCREW NUT	1	(1025N)

C: ENCODER(C1801)

NO.	PART NO.	DESCRIPTION	Q,TY	SIZE
1.	2420041005	ENCODER FIXED PLATE	1	
2.		WASHER	1	φ 6
3.		HEX HEAD SCREW	1	M6x10L
4.		COUPLING	1	MFC-0606
5.		ENCODER	1	OEW-05-2

CROSSWISE DRIVE (818)



CROSSWISE DRIVE (818)

A: CROSSFEED LEADSCREW SET(2031B&2031BN)

NO.	PART NO.	DESCRIPTION	Q,TY	SIZE
1.	1460002005	SLEEVE	1	
2.		HEX HEAD SCREW	3	M5x20L
3.	0010002015	BEARING SEAT	1	
4.		BEARING	2	6202ZZ
5.	1440007005	WASHER	1	
6.	2420001005	WASHER	2	
7.		CROSS HEAD SCREW	4	M4x6L
8.	3500002005	PROTECT PLASTIC COVER	1	
9.		HEX SOCKET SCREW	2	M4x20L
10.	2400002005	OIL BAFFLE	1	
11.		SETTING KEY	1	5x5x10L
12.	1120014005	CROSS TRANSFER SHAFT	1	(2031B)
	1120017015	CROSS TRANSFER SHAFT	1	(2031BN)
13.		HEX SOCKET SCREW	2	M5x20L
14.	0030008005	NUT SEAT	1	
15.		WASHER	2	ϕ 8
16.		SPRING WASHER	2	ϕ 8
17.		HEX HEAD SCREW	2	M8x50L

B: CROSSFEED DIAL SET(1037)

NO.	PART NO.	DESCRIPTION	Q,TY	SIZE
1.		HEX HEAD SCREW	1	M5x16L
2.	0640008005	WASHER	1	
3.	2630019005	LOCKING NUT	1	
4.	4210004005	HANDLE	1	
5.	1260002005	CROSS HANDWHEEL	1	
6.		WASHER	2	ϕ 4
7.		HEX SOCKET SCREW	2	M4x6L
8.	2630020005	KEY-SCREW	1	

C: CROSSFEED DIAL SET(1032&1032N)

NO.	PART NO.	DESCRIPTION	Q,TY	SIZE
1.	0890008025	SCALE RING	1	(1032)
	0890012025	SCALE RING	1	(1032N)
2.	0890014015	INDICATION PLATE	1	
3.		HEX SOCKET SCREW	1	M5x10L

D: MOTOR FOR CROSSFEED MOVEMENT SET(2033X)

NO.	PART NO.	DESCRIPTION	Q,TY	SIZE
1.	1430015005	INTEMAL SIX-SPLINE SLEEVE	1	
2.	1030046005	CONNECTING SHAFT	1	
3.		SETTING KEY	1	5x5x20L

NO.	PART NO.	DESCRIPTION	Q,TY	SIZE
4.		BEARINGS	2	6007Z
5.	1430014005	BEARING SLEEVE	1	
6.	0010008005	BEARING SEAT	1	
7.		HEX SOCKET SCREW	4	M8x25L
8.	1800013005	MOTOR SUPPORTER	1	
9.		HEX HEAD SCREW	6	M8x40L
10.		SET SCREW	4	M8x20L
11.	1210016005	TIMING BELT PULLEY	1	
12.		TIMEING BELT	1	T5x180Tx18mm
13.	2630009005	LOCKING NUT	1	
14.		SET SCREW	3	M6x12L
15.	1700021005	MOTOR FIXING PLATE	1	
16.		CROSS MOVEMENT MOTOR	1	
17.		WASHER	4	ϕ 8
18.		HEX HEAD SCREW	4	M8x20L
19.		HEX HEAD SCREW	3	M6x16L
20.	2490027005	RING WASHER	2	
21.	1210022005	TIMING BELTPULLY(SMALL)	1	
22.	2000032005	SAFETY COVER	1	
23.		CROSS HEAD SCREW	8	M5x10L

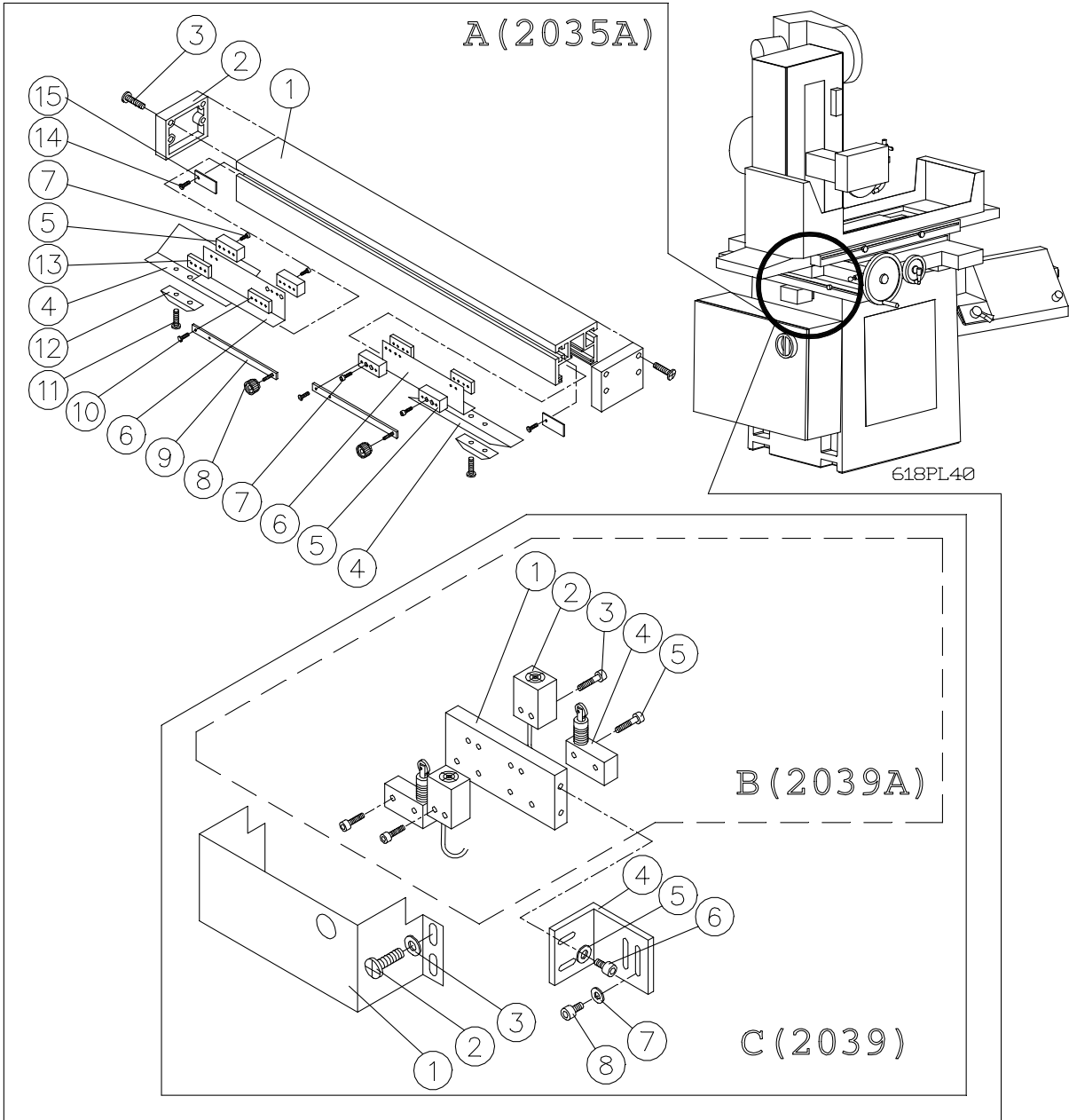
E: CROSSFEED LEADSCREW COVER SET(2038)

NO.	PART NO.	DESCRIPTION	Q,TY	SIZE
1.	3500001005	OIL COVER	1	
2.		WASHER	4	ϕ 5
3.		CROSS HEAD SCREW	4	M5x8L
4.	1910029005	SHAFT COVER	1	
5.		WASHER	6	ϕ 5
6.		CROSS HEAD SCREW	6	M5x8L

F: CROSSFEED LOCK(2034)

NO.	PART NO.	DESCRIPTION	Q,TY	SIZE
1.	2420103005	TRAVEL SETTING BLOCK	1	
2.		HEX SOCKET SCREW	2	M5x65L
3.	2400001005	SCREW	1	
4.	2640002005	LOCK SCREW	1	
5.		FLAT HEAD SCREW	2	M4x6L
6.	2420012015	COVERING PLATE	1	

SADDLE CROSSWISE DRIVE (818)



SADDLE CROSSWISE DRIVE

A: CROSSWISE SENSOR-DETECTED RAIL (2035A)

NO.	PART NO.	DESCRIPTION	Q'TY	SPEC.
1.	2260010005	SENSOR-DETECTED RAIL	1	
2.	3870003005	SIDE COVER OF SENSOR-DETECTED RAIL	2	
3.		CROSS HEAD SCREW	8	M4x16L
4.	3500020005	INDUCTION LIMIT PLATE	2	
5.	2430003005	LOCKING BLOCK OF SENSOR-DETECTED SHEET	4	
6.	2000033005	CROSSWISE SENSOR-DETECTED SHEET	2	
7.		SOCK HEAD CAP SCREW	8	M4x14L
8.	2430002005	CLAMPING BLOCK OF SENSOR-DETECTED SHEET	2	
9.	2890017005	CROSSWISE SENSOR-DETECTED ADJUSTING BLOCK	1	
10.		CROSS HEAD SCREW	4	M4x20L
11.		CROSS HEAD SCREW	4	M4x6L
12.	2490010005	CROSSWISE LIMIT SETTING PLATE	2	
13.	2430002005	CLAMPING BLOCK OF SENSOR-DETECTED SHEET	4	
14.		CROSS HEAD SCREW	2	M4x6L
15.	2490004005	POSITIONING LIMITED PLATE	2	

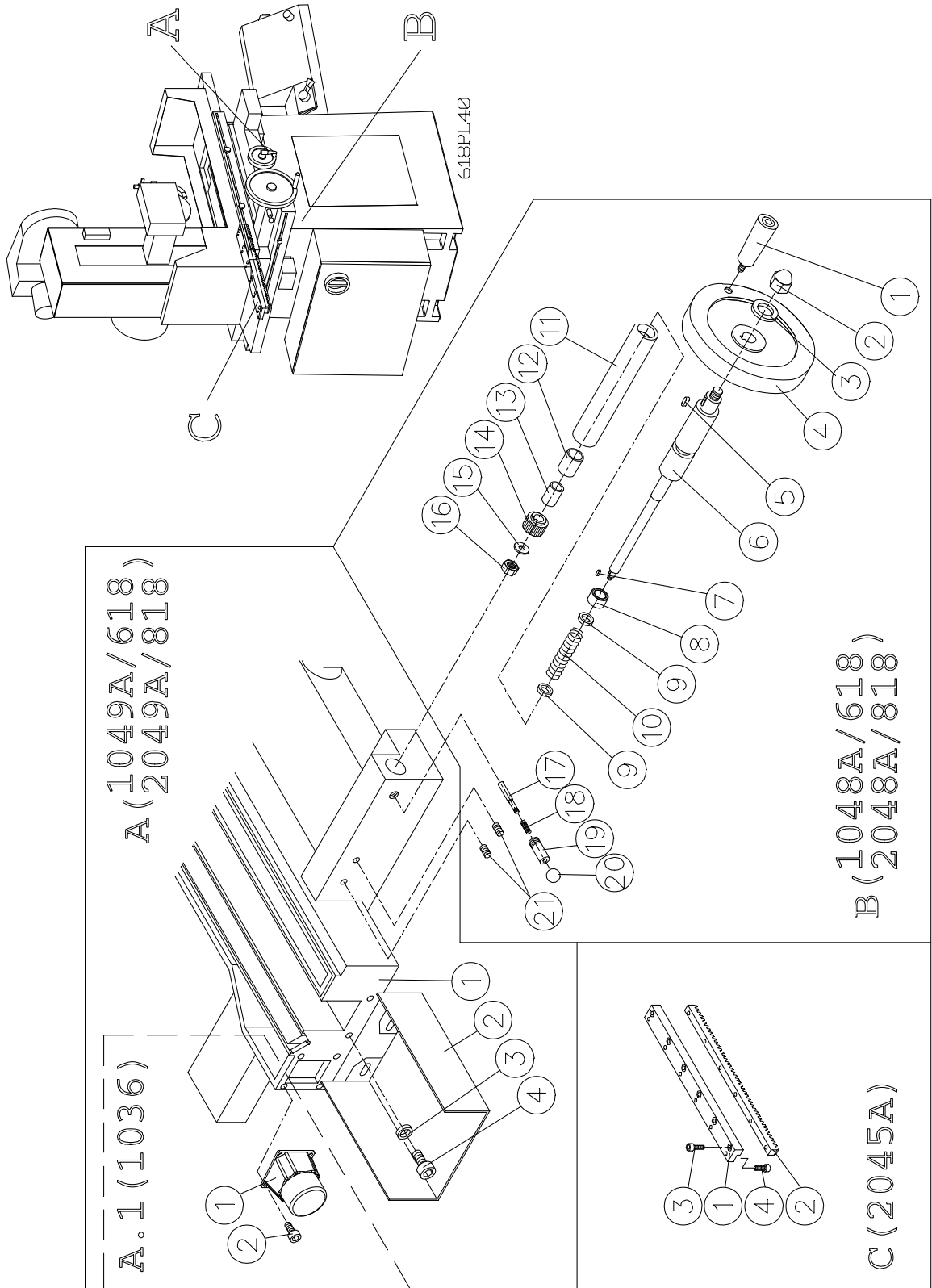
B: CROSSWISE PROXIMITY SWITCH (2039A)

NO.	PART NO.	DESCRIPTION	Q'TY	SPEC.
1.	3820003005	CROSS PROXIMITY SWITCH BRACKET	1	
2.		PROXIMITY SWITCH	2	17*17*28
3.		CROSS HEAD SCREW	4	M3x25L
4.		LIMIT SWITCH	2	Z-15GQ22-B
5.		SOCK HEAD CAP C SCREW	4	M4x25L

C: CROSSWISE LOCKING DEVICE (2039/818)

NO.	PART NO.	DESCRIPTION	Q'TY	SPEC.
1.	1910091015	CROSSWISE INDUCTION SWITCH PROTECTION COVER	1	
2.		CROSS HEAD SCREW	4	M5x8L
3.		WASHER	4	φ5
4.	2420015005	SENSOR SWITCH FIXED PLATE	1	
5.		WASHER	2	φ5
6.		HEX HEAD SCREW	2	M5x10L
7.		WASHER	2	φ5
8.		HEX HEAD SCREW	2	M5x12L

LONGITUDINAL TRANSMITTING SET & SADDLE DUST (818PD)



LONGITUDINAL TRANSMITTING SET & SADDLE DUST (818PD)

A: SADDLE DUST (2049A)

NO.	PART NO.	DESCRIPTION	Q'TY	SIZE
1.	0406015005	SADDLE	1	
2.	3500019005	SLIDE DUST COVER	1	
3.		WASHER	2	ϕ 6
4.		HEX HEAD SCREW	1	M6x8L

A.1: OUTLET HOSE (1036)

NO.	PART NO.	DESCRIPTION	Q'TY	SIZE
1.	2450001005	OUTLET	1	
2.		HEX HEAD SCREW	4	M4x8L

B: LONGITUDINAL HANDWHEEL SET (2048A)

NO.	PART NO.	DESCRIPTION	Q'TY	SIZE
1.	4210007005	KNOB	1	
2.		CUP NUT	1	M12
3.		WASHER	1	ϕ 12
4.	1260003005	HANDWHEEL	1	
5.		SETTING KEY	1	5x5x20L
6.	1030049005	TRANSMIT SHAFT	1	
7.		SETTING KEY	1	4x4x12L
8.		NEEDLE BEARING	1	HK1712
9.	2410025005	WASHER	2	
10.		SPRING	1	ϕ 15x ϕ 18x92L
11.	1430023005	SHAFT SLEEVE	1	
12.		BEARING	1	DU2012
13.	1430018005	BEARING SLEEVE	1	
14.	1200022005	LONGITUDINAL DRIVING GEAR	1	
15.	2410024005	WASHER	1	
16.		HEX NUT	1	M8
17.	2610005005	PIN	1	
18.	2700003005	COMPRESSION SPRING	1	
19.	2490003005	POSITION SEAT	1	
20.	3870002005	PLASTIC BLOCK BALL	1	
21.		SET SCREW	2	M6x8L

C: LONGITUDINAL RACK SET (2045A)

NO.	PART NO.	DESCRIPTION	Q'TY	SIZE
1.	1830006005	LONGITUDINAL RACK SEAT	1	
2.	1150001005	LONGITUDINAL RACK	1	
3.		HEX HEAD SCREW	5	M6x20L

4.	HEX HEAD SCREW	6	M6x10L
----	----------------	---	--------

TABLE LONGITUDINAL DRIVE

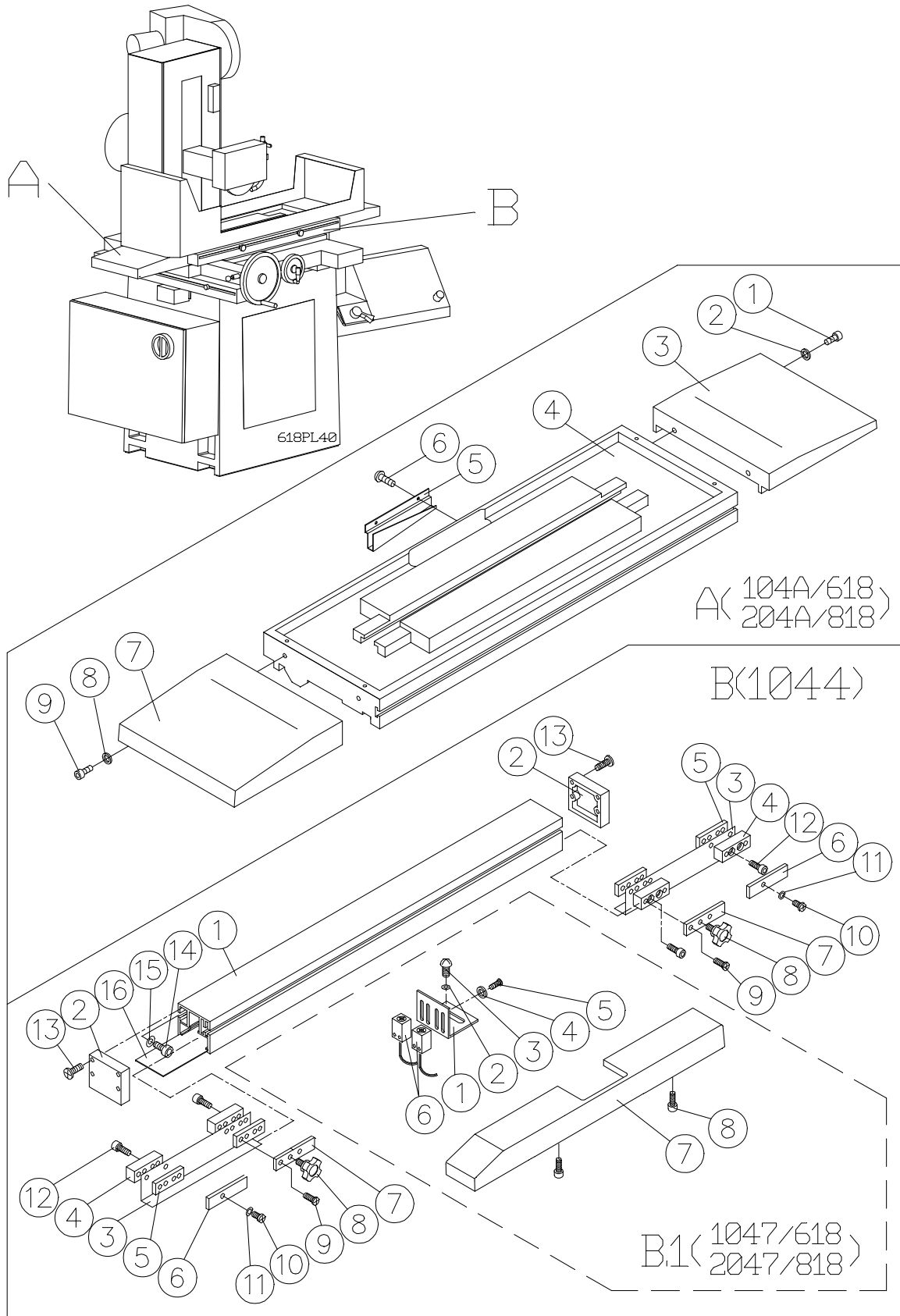


TABLE LONGITUDINAL DRIVE (818)

A: TABLE (204A)

NO.	PART NO.	DESCRIPTION	Q,TY	SIZE
1.		HEX HEAD SCREW	3	M8x20L
2.		SPRING WASHER	3	φ 8
3.	1930009005	RIGHT-END COVER	1	
4.	0506017005	TABLE	1	
5.	3520013005	ANTI-WATER PLATE	1	
6.		CROSS HEAD SCREW	2	M4x8L
7.	1930008005	LEFT-END COVER	1	
8.		CROSS HEAD SCREW	3	M8x20L
9.		SPRING WASHER	3	φ 8

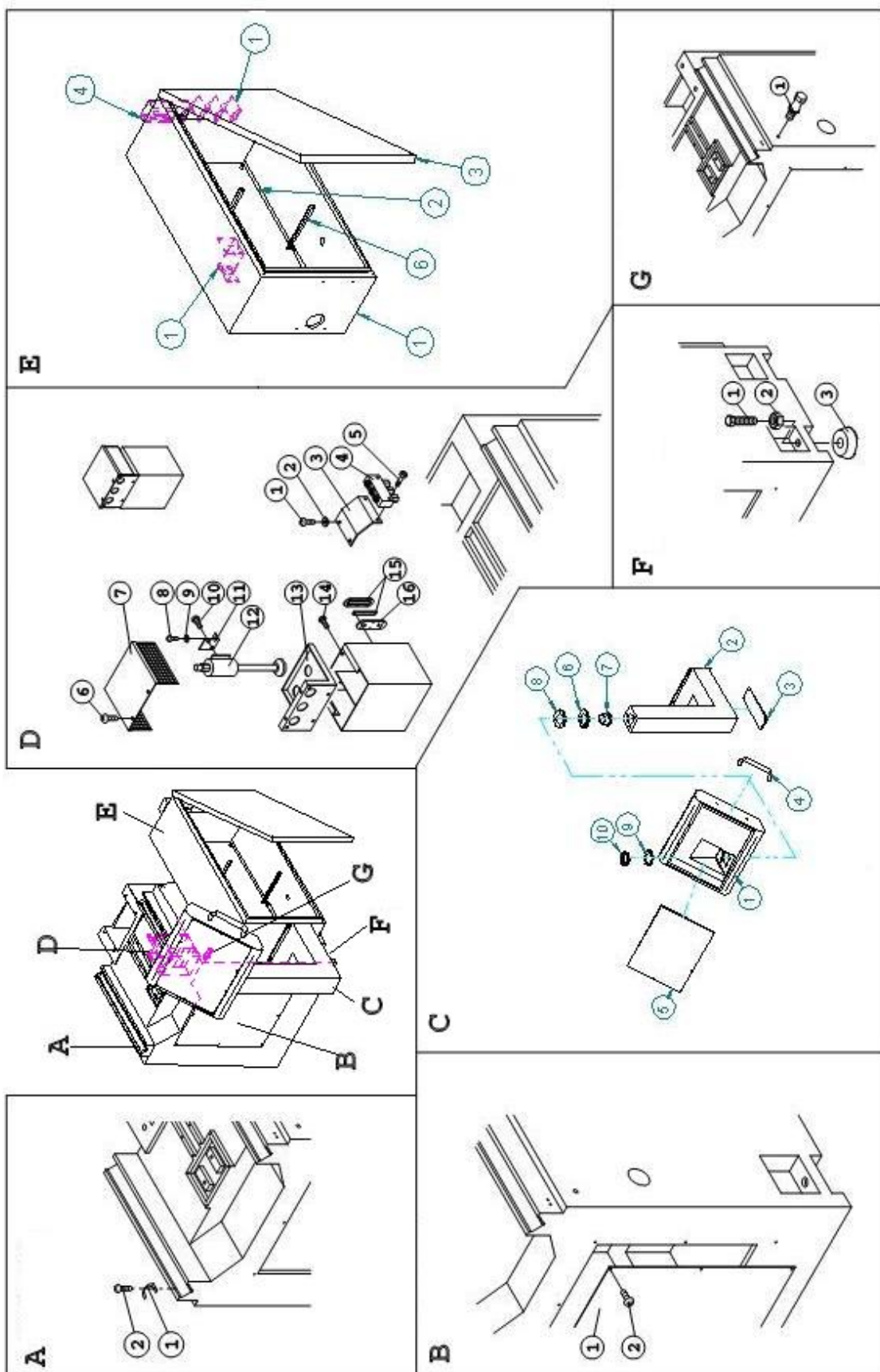
B: LONGITUDINAL SENSOR-DETECTED SET (1044)

NO.	PART NO.	DESCRIPTION	Q'TY	SPEC.
1.	2260010005	LONGITUDINAL INDUCTION RAIL	1	
2.	3870003005	SIDE COVER OF INDUCTION RAIL	2	
3.	2000033005	LONG ITUDIAL SENSOR-DETECTED SHEET	2	
4.	2430003005	LOCKING BLOCK OF SENSOR-DETECTED SHEET	4	
5.	2430002005	CLAMPING BLOCK OF SENSOR-DETECTED SHEET	4	
6.	2490004005	LONGITUDINAL LIMIT BLOCK	2	
7.	2890004005	LONGITUDINAL SENSOR ADJUSTING BLOCK	2	
8.	2620005005	LOBE KNOB	2	
9.		CROSS HEAD SCREW	4	M4x20L
10.		CROSS HEAD SCREW	2	M4x8L
11.		SOCK HEAD CAP SCREW	2	M6x16L
12.		SOCK HEAD CAP SCREW	8	M5x14L
13.		CROSS HEAD SCREW	2	M6x16L
14.		SOCK HEAD PLATE WASHER	2	φ 4
15.		SOCK HEAD PLATE WASHER	2	φ 6
16.	3500015005	COVER	1	

B.1: LONGITUDINAL SENSOR-DELECTED RAIL (2047)

NO.	PART NO.	DESCRIPTION	Q'TY	SPEC.
1.	1760001005	PROXIMITY SWITCH SEAT	1	
2.		WASHER	2	φ 5
3.		CROSS HEAD SCREW	2	M5x6L
4.		WASHER	4	φ 4
5.		CROSS HEAD SCREW	4	M4x6L
6.		PROXIMITY SWITCH	2	
7.	1930010005	PROTECT COVER	1	
8.		HEX HAND SCREW	2	M8x20L

BASE (818PD)



BASE (818PD)
A: OIL WIPER SET (1054)

NO.	PART NO.	DESCRIPTION	Q'TY	SIZE
1.		COPPER WIPER	4	
2.		CROSS HEAD SCREW	4	M4x6L

B: BASE ACCESSORY SET (2053A)

NO.	PART NO.	DESCRIPTION	Q'TY	SIZE
1.	2000101005	PLATE	1	
2.		CROSS HEAD SCREW	8	M6x12L

C: ELECTRICAL BOX (2095B)

NO.	PART NO.	DESCRIPTION	Q'TY	SIZE
1.	3050075035	ELECTRICAL BOX	1	
2.	3090026005	ARM OF THE ELECTRICAL BOX	1	
3.	3600026005	TRANSFER BOX COVER A	1	
4.	J091UAGS20	HANDLE	1	AGS-200
5.		PD CONTROL PANEL	1	
6.	0640044005	CROSS AXIS CLAMP	1	
7.	3130011005	CROSS AXIS IN CONTROL BOX	1	1
8.	2420035005	FIXED PLATE IN CROSS AXIS	1	1
9.	A18BA0AW12	LOCKED WASHER	1	AW12
10.	A12000AN12	LOCKED NUT	1	AN12

D: LUBRICATION SYSTEM (1071A)

NO.	PART NO.	DESCRIPTION	Q'TY	SIZE
1.		CROSS HEAD SCREW	1	M4x8L
2.		WASHER	1	ϕ 4
3.	2420055005	SWITCH BRACKET	1	
4.		OIL DISTRIBUTOR	1	B-3 D6
5.		HEX SOCKET SCREW	2	M4x12L
6.		CROSS HEAD SCREW	2	M6x10L
7.	2000015005	COVER	1	
8.		CROSS HEAD SCREW	2	M4x8L
9.		WASHER	2	ϕ 4
10.		CROSS HEAD SCREW	2	M6x8L
11.	1810018005	SWITCH BRACKET	1	
12.		PUMP (110V)	1	
13.	1810025005	PUMP SEAT	1	
14.		CROSS HEAD SCREW	1	M4x8L
15.	J02ACLT008	OIL SCALE	1	
16.	1810026005	OIL SCALE SEAT	1	

E: LONGITUDINAL HYDRAULIC SPEED CONTROL SET (1043)

NO.	PART NO.	DESCRIPTION	Q'TY	SIZE
1.	3000046005	ELECTRICAL BOX	1	
2.	3030062005	SPLASH COVER	1	
3.	3010026005	COVER	1	
4.	3520070005	WATER PROOF COVER IN WIRING JUNCTION	1	
5.	3520011005	SEPARATION POLE IN ELECTRICAL PLATE	3	
6.	1440034005	SEPARATION POLE IN ELECTRICAL PLATE	2	
7.	2410060005	CUSHION PAD IN COVER	1	

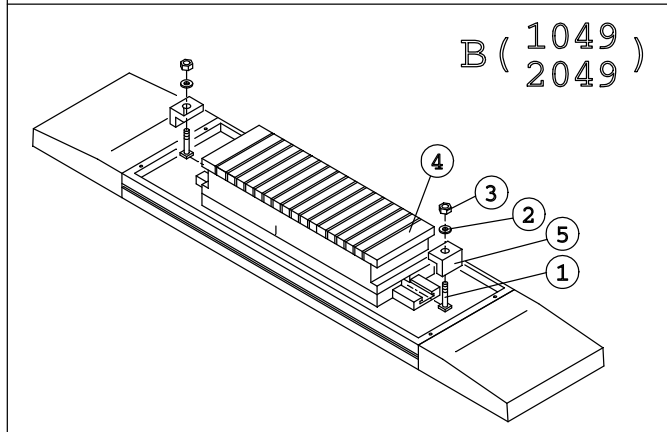
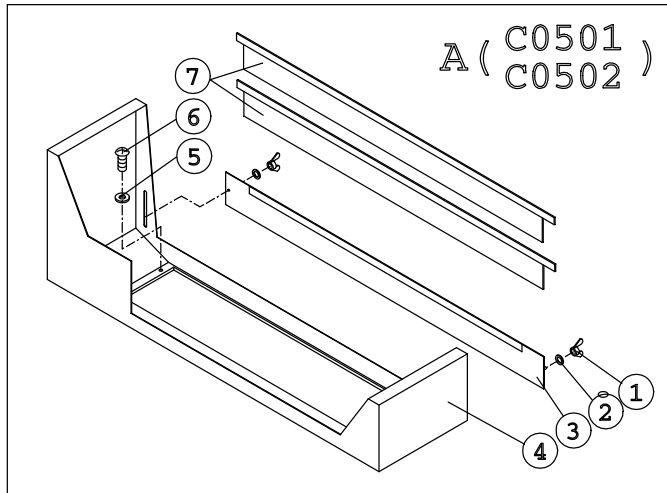
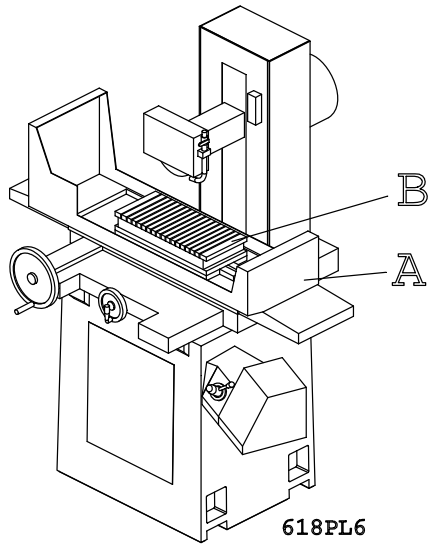
F: LEVELING SCREW SET(2052)

NO.	PART NO.	DESCRIPTION	Q'TY	SIZE
1.	2620027005	LEVELING SCREW	5	
2.		HEX NUT	5	M22
3.	2410008005	LEVELING PLATE	5	

G: EYE BOLT SET(1051)

NO.	PART NO.	DESCRIPTION	Q'TY	SIZE
1.	2620043005	EYE BOLT	4	

GUARD AND MAGNETIC CHUCK (818PD)



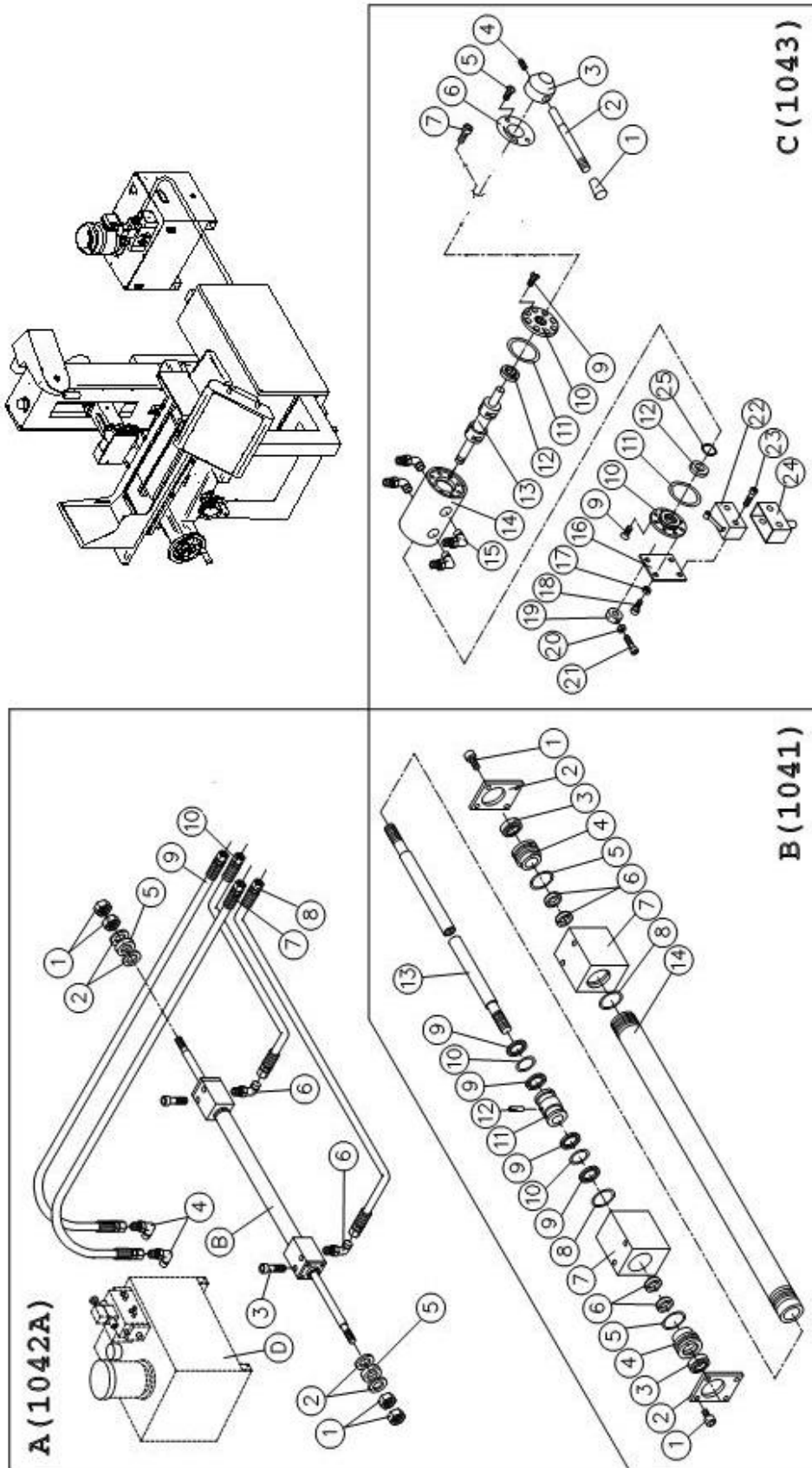
GUARD AND MAGNETIC CHUCK (818PD)**A: SPLASH GUARD SET (C0502)**

NO.	PART NO.	DESCRIPTION	Q'TY	SIZE
1.		WING NUT	2	DCN 5M
2.		WASHER	2	
3.	3520004005	REAR APLASH PLATE	1	
4.	3520005005	GUARD	1	
5.		WASHER	2	
6.		CROSS HEAD SCREW	4	M6x20L
7.	2350007005	FRONT SPLASH PLATE	2	

B: TABLE MAGNETIC CHUCK SET (2049)

NO.	PART NO.	DESCRIPTION	Q'TY	SIZE
1.	2630027005	T TYPE SCREW	2	
2.		WASHER	2	
3.		HEX NUT	2	M10
4.		MAGENETIC CHUCK	1	8"x18"
5.		CHUCK FIXED BLOCK	2	

DYDRAULIC CYLINDER SYSTEM



HYDRAULIC CYLINDER SYSTEM

A:HYDRAULIC (1042A)

NO.	PART NO.	DESCRIPTION	Q'TY	SIZE
1.		HEX NUT	4	M12
2.		WASHER	4	ϕ 12
3.		HEX HEAD SCREW	4	M6x60L
4.		HIGH PRESSURE PIPE 90°CONNECTION	2	1/2PTx3/8PH
5.	2410026005	RECOIL CUSHION	1	
6.		HIGH PRESSURE PIPE 90°CONNECTION	2	1/2PTx3/8PH
7.		HIGH PRESSURE PIPE	1	3/8"x1100mm
8.		HIGH PRESSURE PIPE	1	3/8"x2500mm
9.		HIGH PRESSURE PIPE	1	3/8"x1100mm
10.		HIGH PRESSURE PIPE	1	3/8"x1460mm

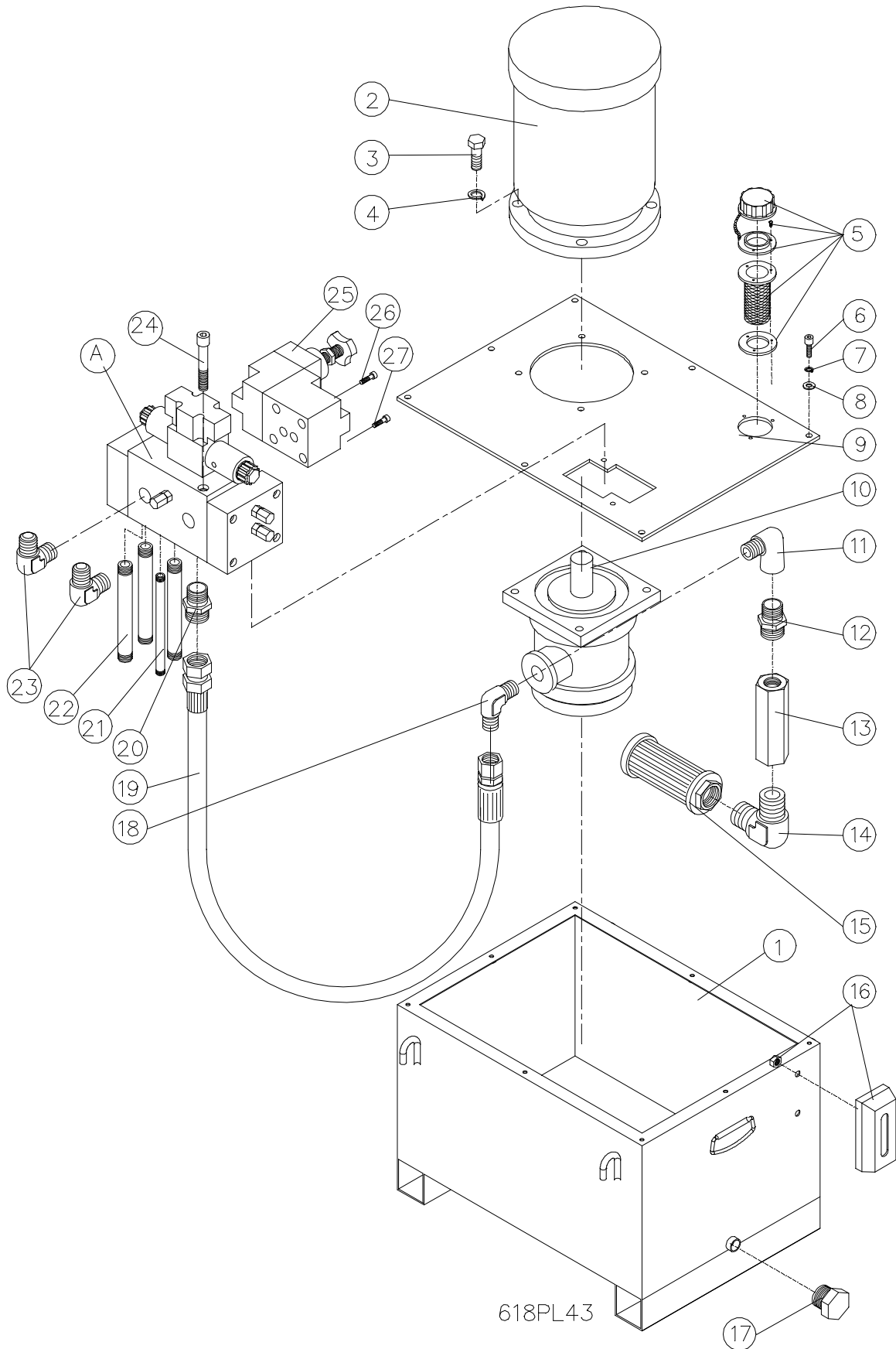
B:CYLINDER SET (1041)

NO.	PART NO.	DESCRIPTION	Q'TY	SIZE
1.		HEX HEAD SCREW	4	M5x12L
2.	0640030005	OIL SEAL PRESS PLATE	2	
3.		ANTI-DUST RING	2	ϕ 14
4.	1830013005	OIL SEAL SEAT	2	
5.		O-RING	2	P28
6.		OIL SEAL	4	ϕ 14
7.	2910010005	LEFT HUDRAULIC CYLINDER TOP HEAD	2	
8.		O-RING	2	P29
9.		O-RING	4	T-P-21
10.		O SHAPE	2	P21
11.	2920002005	PISTON	1	
12.		PIN	1	#5*25L
13.	2790005005	PISTON ROD	1	
14.	2800004005	HYDRAULIC PIPE	1	

C:CYLINDER SET (1043)

NO.	PART NO.	DESCRIPTION	Q'TY	SIZE
1.	4210011005	THRDTTLE HANDLE HEAD	1	
2.	4210010015	THROTTLE HANDLE	1	
3.	2420009005	HANDLE SEAT	1	
4.		SET SCREW	1	M6x14L
5.		CROSS HEAD SCREW	2	M5x8L
6.	3700581005	THROTTLE INDICTOR PLATE	1	
7.		HEX HEAD SCREW	4	M5x12L
8.				
9.		FLAT HEAD SCREW	8	M5x10L
10.	2000035015	COVER PLATE	2	
NO.	PART NO.	DESCRIPTION	Q'TY	SIZE
11.		O-RING	2	P28
12.		OIL SEAL	2	DH14
13.	2830001005	THROTTLE SHAFT	1	

14.	2820001015	THROTTLE DIRECTIONAL VALVE	1	
15.		HIGH PRESSURE PIPE 90° CONNECTION	4	3/8PTx3/8PH
16.	1810044005	SWITCH FIXED SEAT	1	
17.		NUT	2	M5
18.		HEX HEAD SCREW	2	M5x30L
19.	2490009005	POSITION BLOCK	1	
20.		NUT	1	M6
21.		HEX HEAD SCREW	1	M6x35L
22.		SWITCH	1	Z15G1703
23.		HEX HEAD SCREW	1	M4x25L
24.		LIMIT SWITCH COVER	1	CB-1
25.		WASHER	1	WW-0018

HYDRAULIC TANK SYSTEM (106)

HYDRAULIC TANK SYSTEM (106)

NO.	PART NO.	DESCRIPTION	Q'TY	SIZE
1.	3230001015	OIL TANK		
2.		MOTOR	1	1"HP
3.		HEX SCOKET SCREW	4	M10x25L
4.		SPRING WASHER	4	
5.		OIL-FEEDING FILTER	1	AB1163
6.		HEX HEAD SCREW	6	M8x20L
7.		SPRING WASHER	6	φ8
8.		WASHER	6	φ8
9.	2000036005	FIXED PLATE	1	
10.		PUMP	1	VPNC-F14
11.		PIPE ELBOW	1	1"
12.		HIGH PRESSURE PIPE CONNECTION	1	1"Tx1"T
13.		VALVE	1	1"-CIF08
14.		PIPE ELBOW	1	1"Tx1"T
15.		OIL FILTER	1	MF08
16.		OIL LEVER GAME	1	GS-3"
17.		HOLE PLUG	1	1/2"PT
18.		PIPE ELBOW	1	3/4"Tx3/4"T
19.		HIGH PRESSURE PIPE	1	3/4"x450L
20.		HIGH PRESSURE PIPE CONNECTION	1	1/2"Tx3/4"T
21.		STRAIGHT CONNECTION PIPE	1	1/8"x6"
22.		STRAIGHT CONNECTION PIPE	3	3/8"x6"
23.		PIPE ELBOW	2	1/2"Tx3/8"H
24.		HEX HEAD SCREW	2	M8x45L
25.		PRESSURE-REGULATING VALVE	1	1/2"
26.		SOCK HEAD CAP SCREW	2	M16*90L
27.		SOCK HEAD CAP SCREW	2	M16*70L

TABLE REVERSING MECHANISM (2561)

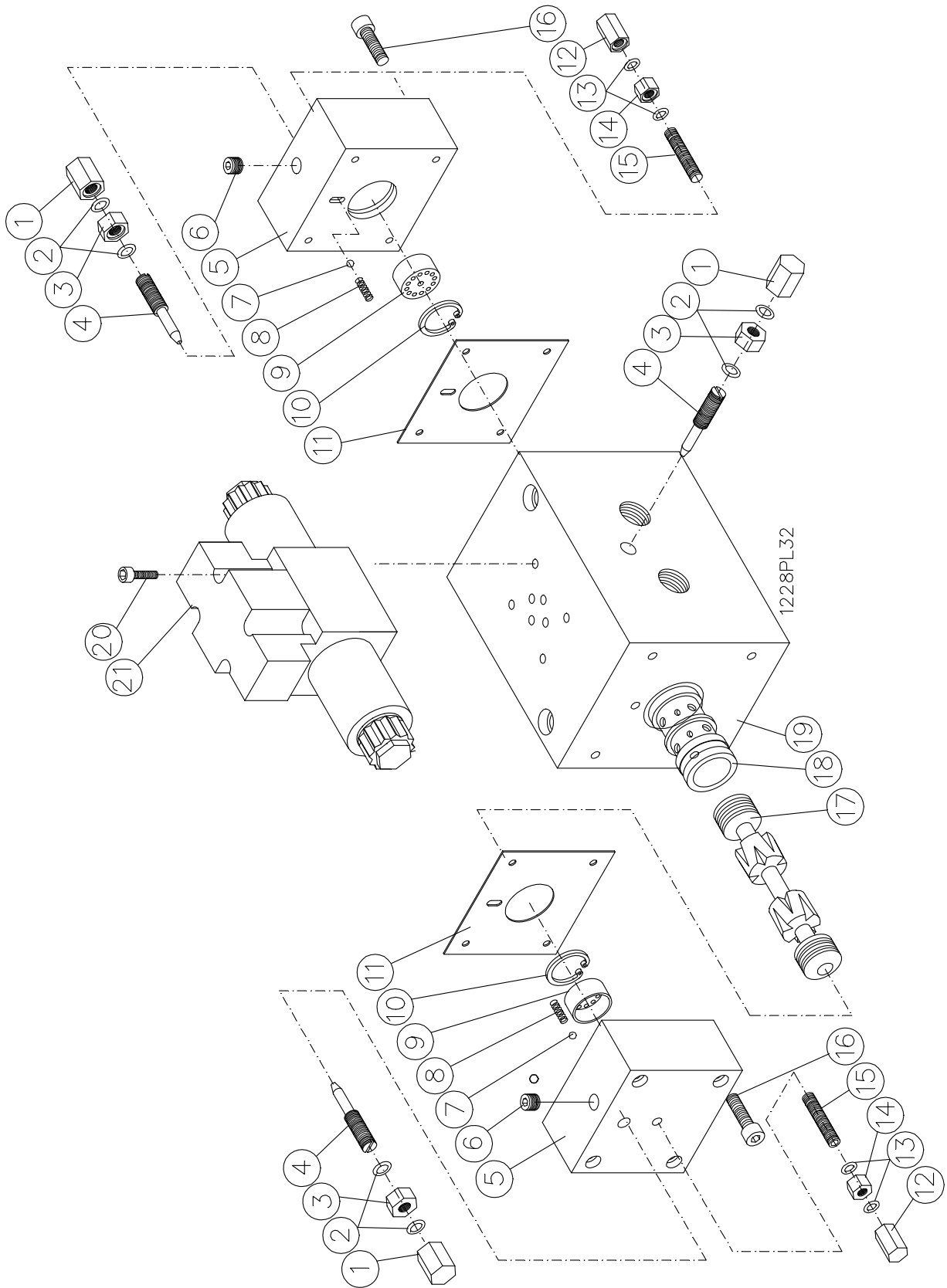


TABLE REVERSING MECHANISM (2561)

NO.	PART NO.	DESCRIPTION	Q'TY	SPEC.
1.	2640011005	LEAK-PROOF NUT	3	
2.		O-RING	6	P10
3.	2630013005	FIXING NUT	3	
4.	2830003005	SMALL THROTTLING SHAFT	3	
5.	2010004005	SIDE COVER OF REVERSING BODY	2	
6.		HOLE PLU	2	1/8PT
7.		STEEL BALL	2	ϕ 5
8.	2700008005	SPRING	2	ϕ 5x ϕ 0.5x18L
9.	2890014005	TOP BLOCK OF REVERSING SHAFT	2	
10.		INNER RETAINING RING	2	ϕ 28
11.		ASBESTOS GASKET	2	95*90*1
12.	2640012005	LEAK-PROOF NUT	2	
13.		O-RING	4	P8
14.	2630016005	FIXING NUT	2	
15.		HEADLESS SCREW	2	M8*40L
16.		SOCK HEAD CAP SCREW	8	M6*40L
17.	1030067005	REVERSING SHAFT	1	
18.	1430047005	REVERSING SHAFT SLEEVE	1	
19.	2820006005	REVERSING SHAFT BODY	1	
20.		SOCK HEAD CAP SCREW	4	M5*45L
21.		SOLENOID VALVE	1	DV24V