

ACER

Turning Center

Model: JG100/150/200 Parts List

TAIWAN: FORMOSA SPRINGWOOD INTERNATIONAL, INC.

NO. 101, 506 LANE SENG-TSO ROAD, SENG KARNG SHARNG,

TAICHUNG COUNTY, TAIWAN

TEL: 886-4-520-4120

FAX: 886-4-2520-4123

WWW.ACERONLINE.NET

NJ: KLIM INDUSTRIAL, INC.

244N. RANDOLPHVILLE ROAD

PISCATAWAY, NJ 08854 USA

TEL: (732)752-9100 FAX: (732)752-9101

WWW.ACERONLINE.NET

CA: SPRINGWOOD INDUSTRIAL, INC.

1062N.KRAEMERPLACE

ANAHEIM, CA 92806 USA

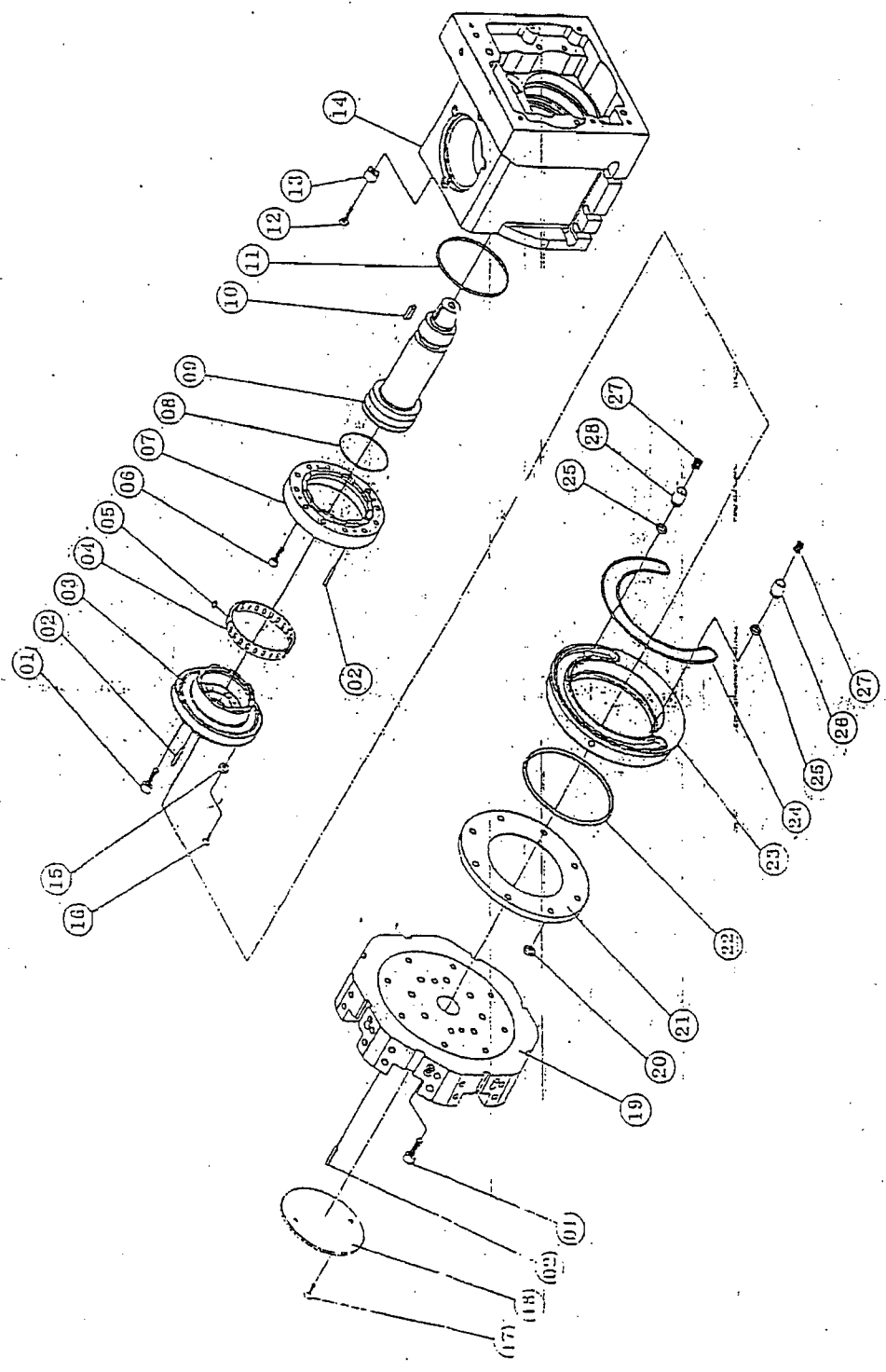
TEL: (714) 632-9701 FAX: (714) 632-9701

WWW.ACERONLINE.NET

2010.10.20

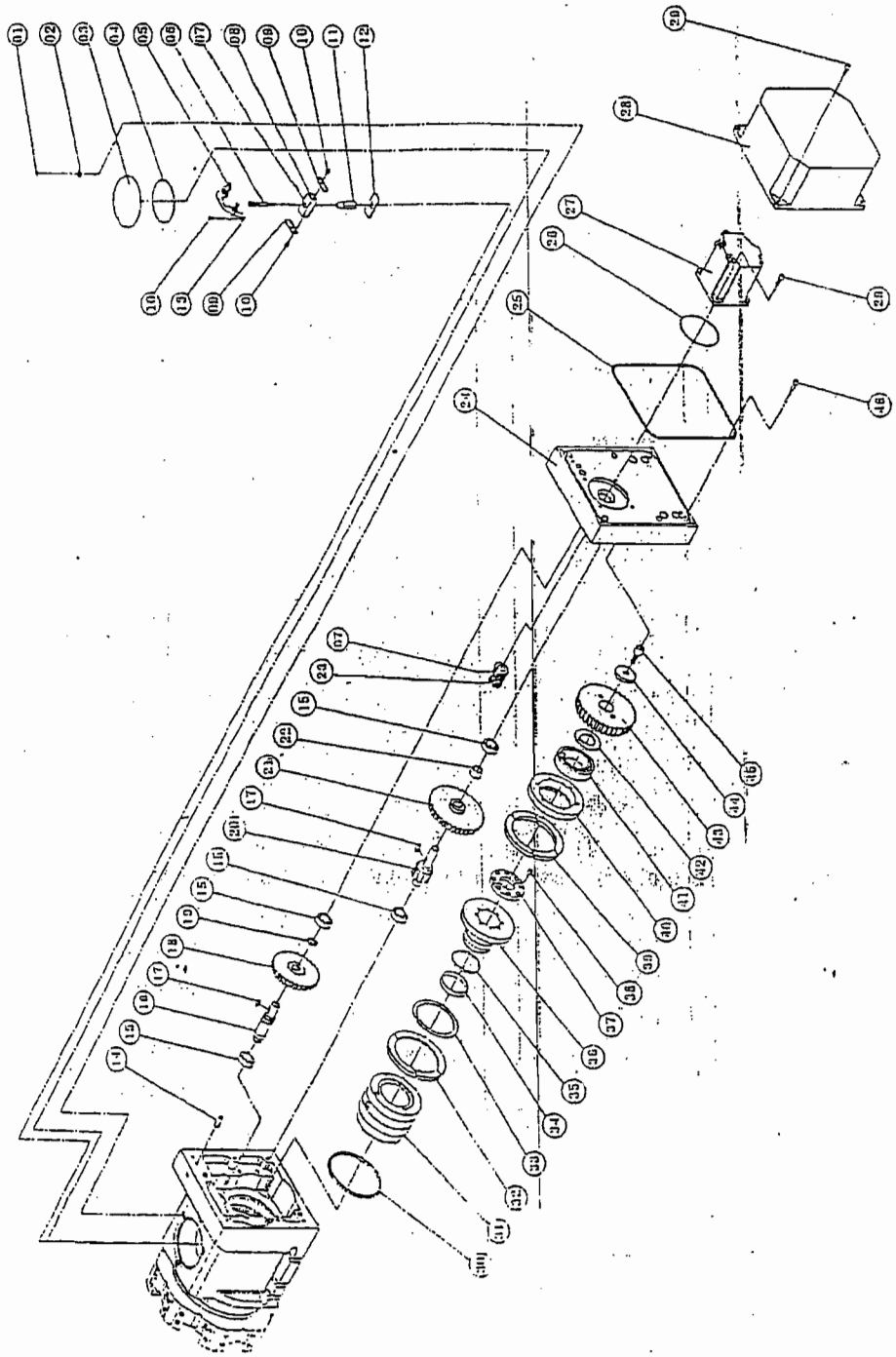
機種	JG-100
圖名	伺服刀塔組合圖

加育工業股份有限公司



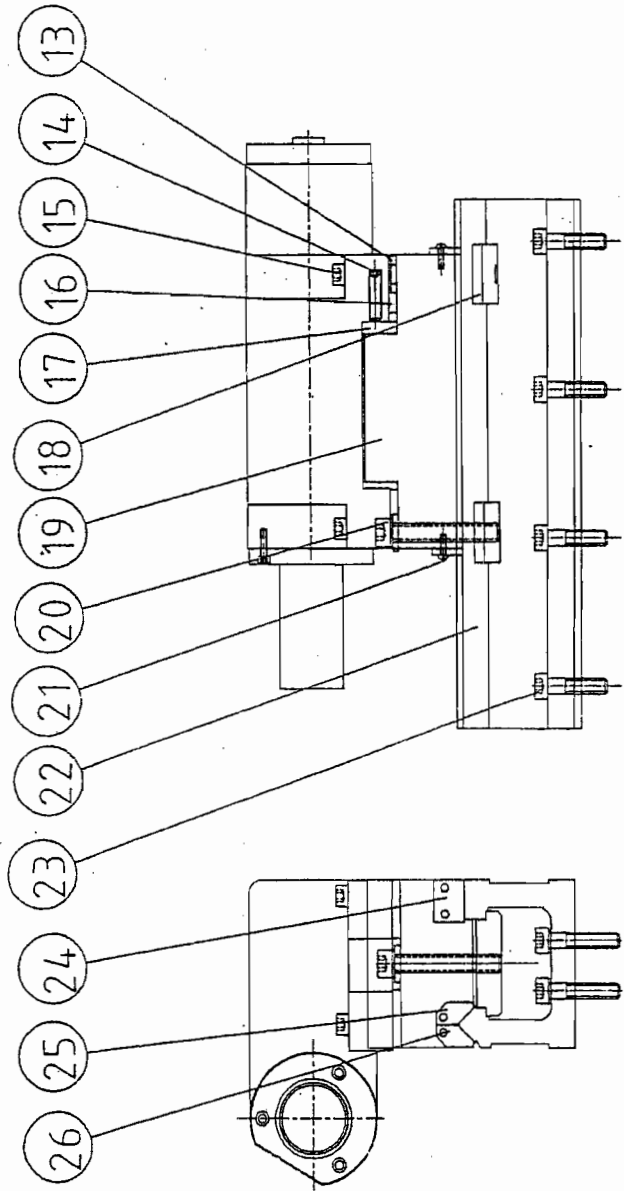
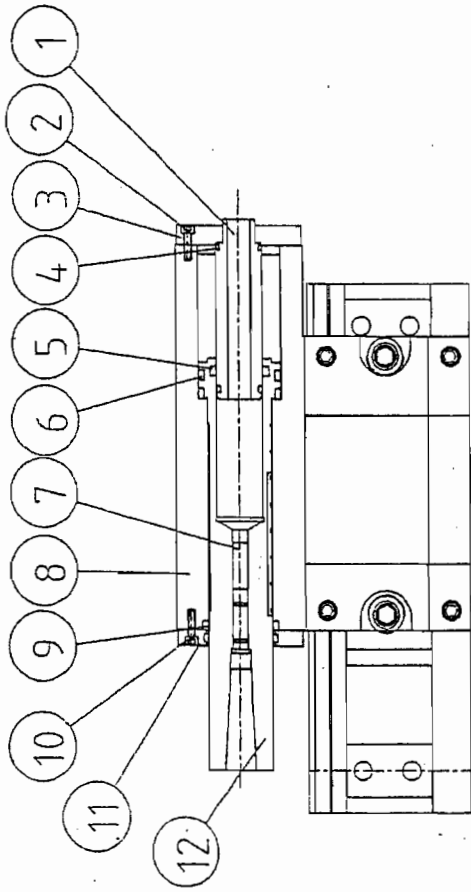
機種	JG-100
圖名	伺服刀塔組合圖

加育工業股份有限公司

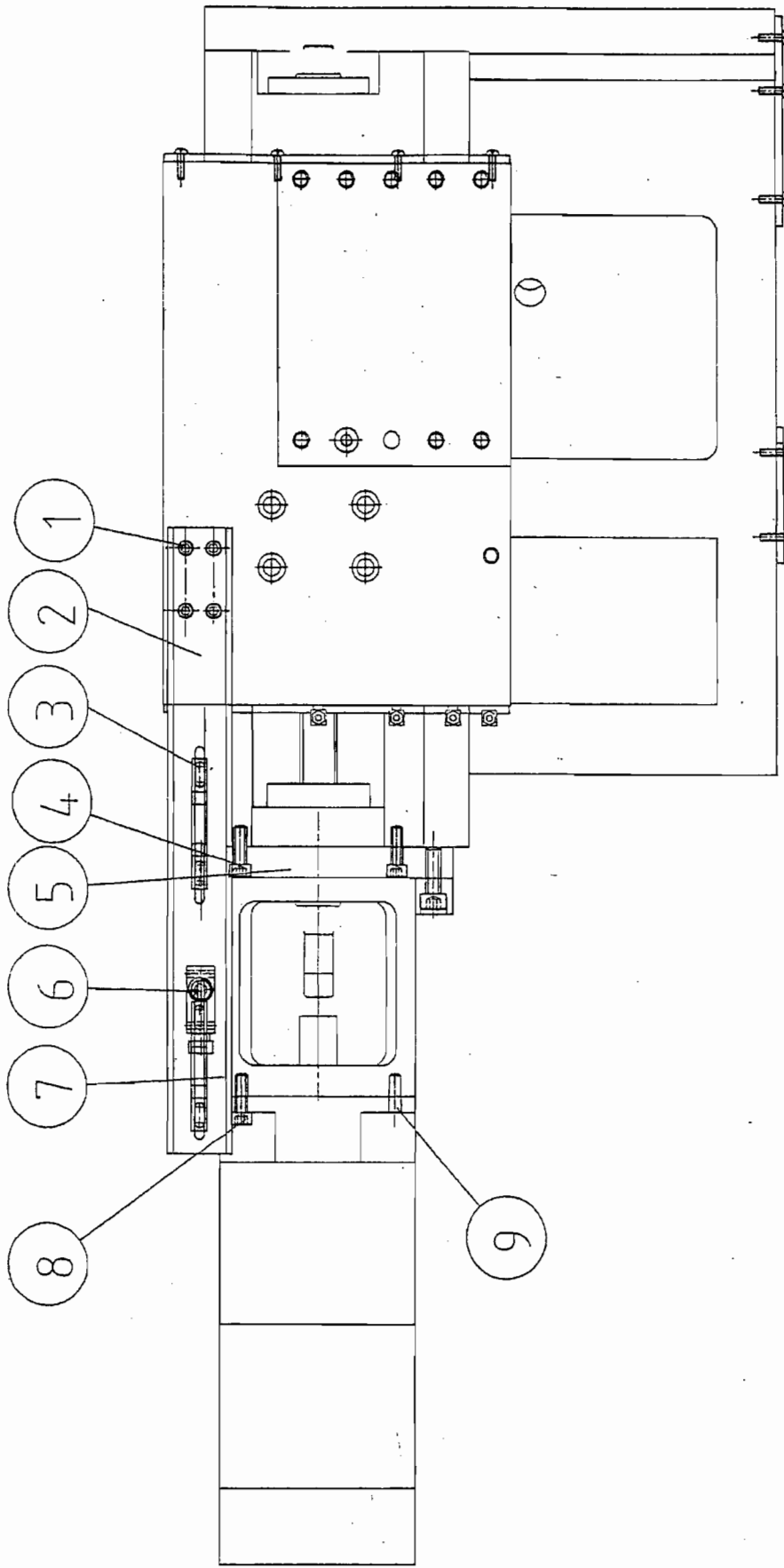


ACER

TYPE	JG-100	SERVO KNIFE TOWER ASSEMBLY 1/2			
NO.	PART NO.	DESCRIPTION	SPECIFICATION	QTY	REMARK
1		SCREW	M5x10L	3	
2		WASHER	S45C	3	
3	100070140	COVER	SS41	1	
4		O-RING	G80	1	
5		SENSOR	Φ8E2E-X2D1-N	2	
6		SCREW	M5x50L	1	
7		SCREW	M5x5L	3	
8	100070150	PLATE	S45C	1	
9	100070160	PLATE	SS41	2	
10		SCREW	M4x8L	6	
11	100070170	PIN	S45CBD	1	
12	100070180	PLATE	SS41	1	
13	100070190	PLATE	SS41	1	
14		PIN	φ 8x20L	2	
15		BEARING	6002ZZ	4	
16	100070200	GEAR	SCM21	1	
17		KEY	5x5x12	2	
18	100070210	GEAR	SCM21	1	
19	100070220	WASHER	S45C	1	
20	100070230	GEAR	SCM21	1	
21	100070240	GEAR	SCM21	1	
22	100070250	SLEEVE	S45C	1	
23	100070260	GEAR	SCM21	1	
24	100070270	COVER	FC30	1	
25		RING TO AVIOD OIL	φ 3.5x690	1	
26		O-RING	NO: 039	1	
27		SERVO MOTOR	HC-UF 43K	1	
28	100070280	COVER	SS41	1	
29		SCREW	M6x15L	4	
30		O-RING	G100(V)	3	
31	100070290	HIRTH COUPLING	SCM21	1	
32	100070300	LOCK RING	S45C	1	
33		CTYPE LOCKRING	R85	1	
34	10070310	WEAR PROOF SHEET	2.5x7.8x165	1	
35		O-RING	G50(V)	1	



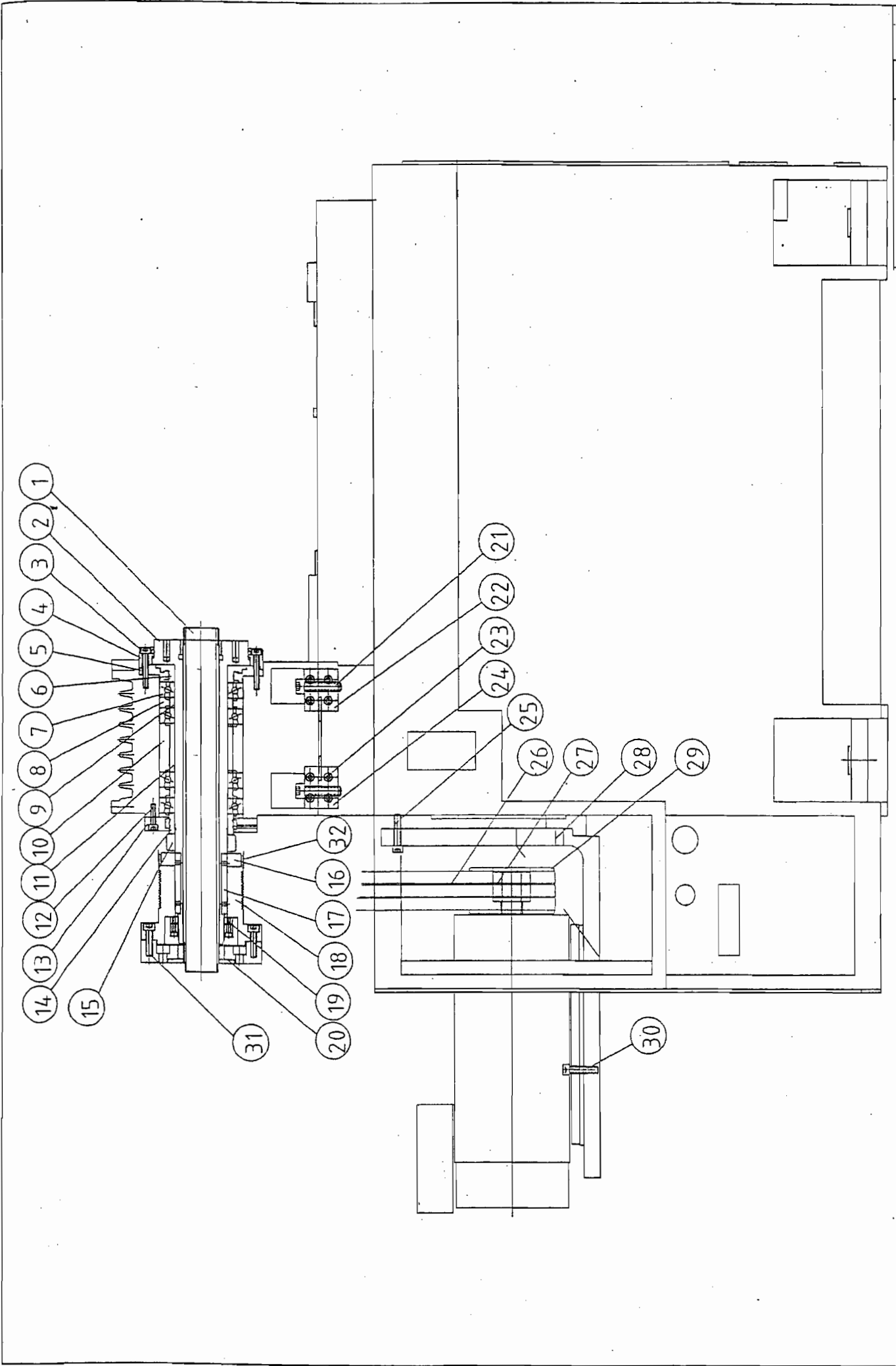
TYPE	JG-100	TAIL STOCK ASSEMBLY			
NO.	PART NO.	DESCRIPTION	SPECIFICATION	QTY	REMARK
1	100050060	SHAFT		1	
2		HEX SOCKET SCREW	M6x20L	3	
3	100050070	COVER		1	
4		O-RING		1	
5		O-RING		1	
6		O-RING		1	
7	100050090	BAR		1	
8	100050010	TAIL STOCK		1	
9		OIL SEAL		1	
10		HEX SOCKET SCREW	M6x20L	3	
11	100050070	COVER		1	
12	100050050	SHAFT		1	
13	100050100	TURRENT LOCKING WASHER		2	
14		BOLT	M10x25L	2	
15		HEX SOCKET SCREW	M12x45L	4	
16	100050110	PAD		4	
17	100050120	PRESSING PLATE		1	
18	100050030	OPPOSITE LOCKING PLATE		2	
19	100050020	MIDDLE SEAT		1	
20		HEX SOCKET SCREW	M14x85L	2	
21		(SCREW) BOLT	M5x 15L	8	
22	100050040	DOWN SEAT		1	
23		HEX SOCKET SCREW	M12x45L	8	
24	100050130	WIPER 1		2	
25	100050150	WIPER 3		2	
26	100050140	WIPER 2		2	
27					
28					
29					
30					
31					
32					
33					
34					
35					



機種圖名	JG-100 滑板組合圖
加育工業股份有限公司	

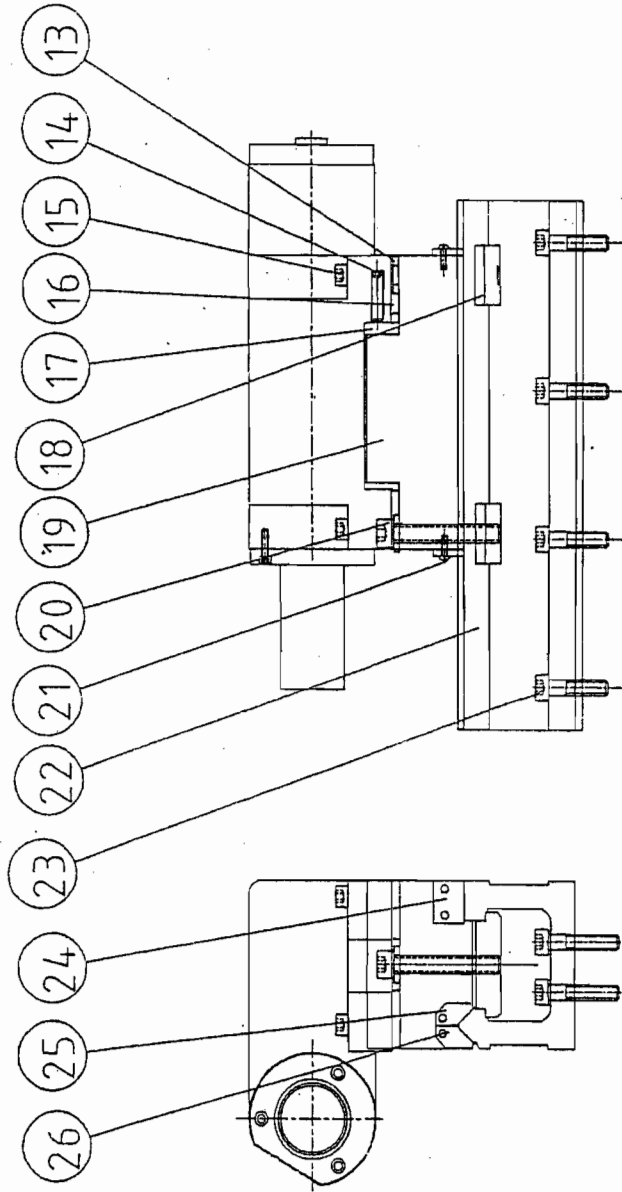
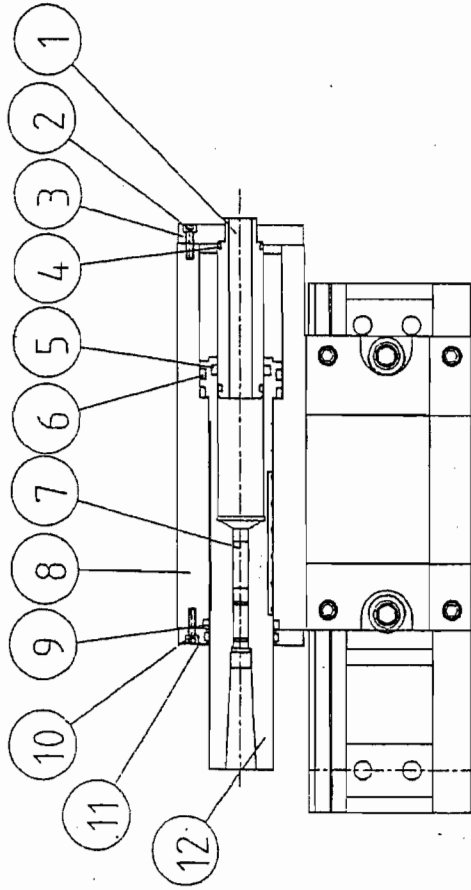
ACER

TYPE	JG-100	SLIDE ASSEMBLY			
NO.	PART NO.	DESCRIPTION	SPECIFICATION	QTY	REMARK
1		HEX SOCKET SCREW	M6x15L	4	
2	100030270	X-AXIS HITTING LUMP		1	
3	9530070	HITTING LUMP (SMALL)		2	
4		HEX SOCKET SCREW	M8x30L	6	
5	100030140	TRANSMISSION PAD		1	
6		JOGGING SWITCH		1	
7	100030250	X-AXIS JOGGING SWITCH		-1	
8		HEX SOCKET SCREW	M10x30L	4	
9		PIN	#7	2	
10					
11					
12					
13					
14					
15					
16					
17					
18					
19					
20					
21					
22					
23					
24					
25					
26					
27					
28					
29					
30					
31					
32					
33					
34					
35					



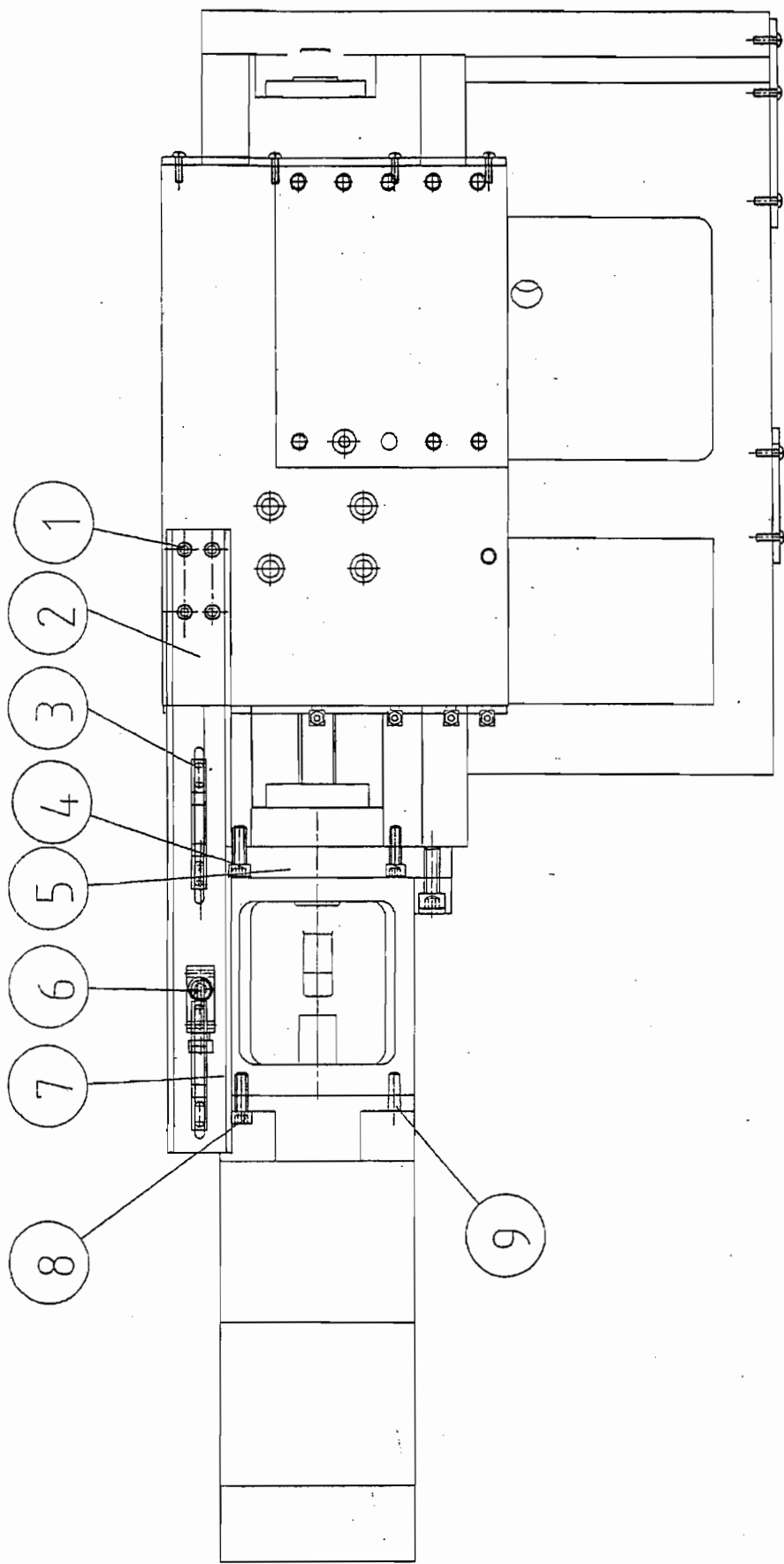
ACER

TYPE	JG-100	SERVO KNIFE TOWER ASSEMBLY 1/2			
NO.	PART NO.	DESCRIPTION	SPECIFICATION	QTY	REMARK
1		SCREW	M5x10L	3	
2		WASHER	S45C	3	
3	100070140	COVER	SS41	1	
4		O-RING	G80	1	
5		SENSOR	Φ8E2E-X2D1-N	2	
6		SCREW	M5x50L	1	
7		SCREW	M5x5L	3	
8	100070150	PLATE	S45C	1	
9	100070160	PLATE	SS41	2	
10		SCREW	M4x8L	6	
11	100070170	PIN	S45CBD	1	
12	100070180	PLATE	SS41	1	
13	100070190	PLATE	SS41	1	
14		PIN	φ 8x20L	2	
15		BEARING	6002ZZ	4	
16	100070200	GEAR	SCM21	1	
17		KEY	5x5x12	2	
18	100070210	GEAR	SCM21	1	
19	100070220	WASHER	S45C	1	
20	100070230	GEAR	SCM21	1	
21	100070240	GEAR	SCM21	1	
22	100070250	SLEEVE	S45C	1	
23	100070260	GEAR	SCM21	1	
24	100070270	COVER	FC30	1	
25		RING TO AVIOD OIL	φ 3.5x690	1	
26		O-RING	NO: 039	1	
27		SERVO MOTOR	HC-UF 43K	1	
28	100070280	COVER	SS41	1	
29		SCREW	M6x15L	4	
30		O-RING	G100(V)	3	
31	100070290	HIRTH COUPLING	SCM21	1	
32	100070300	LOCK RING	S45C	1	
33		CTYPE LOCKRING	R85	1	
34	10070310	WEAR PROOF SHEET	2.5x7.8x165	1	
35		O-RING	G50(V)	1	



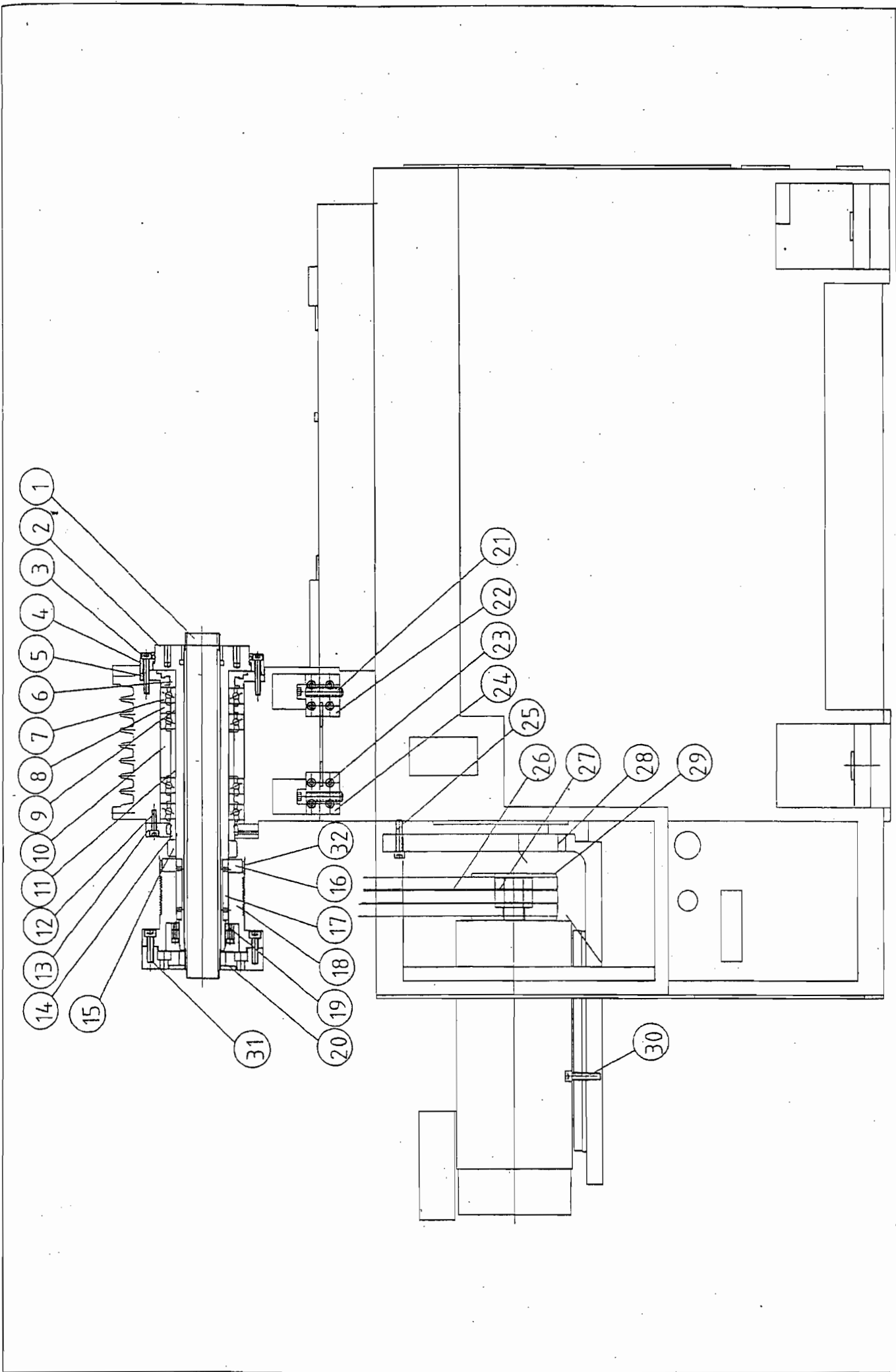
ACER

TYPE	JG-100	TAIL STOCK ASSEMBLY			
NO.	PART NO.	DESCRIPTION	SPECIFICATION	QTY	REMARK
1	100050060	SHAFT		1	
2		HEX SOCKET SCREW	M6x20L	3	
3	100050070	COVER		1	
4		O-RING		1	
5		O-RING		1	
6		O-RING		1	
7	100050090	BAR		1	
8	100050010	TAIL STOCK		1	
9		OIL SEAL		1	
10		HEX SOCKET SCREW	M6x20L	3	
11	100050070	COVER		1	
12	100050050	SHAFT		1	
13	100050100	TURRENT LOCKING WASHER		2	
14		BOLT	M10x25L	2	
15		HEX SOCKET SCREW	M12x45L	4	
16	100050110	PAD		4	
17	100050120	PRESSING PLATE		1	
18	100050030	OPPOSITE LOCKING PLATE		2	
19	100050020	MIDDLE SEAT		1	
20		HEX SOCKET SCREW	M14x85L	2	
21		(SCREW) BOLT	M5x 15L	8	
22	100050040	DOWN SEAT		1	
23		HEX SOCKET SCREW	M12x45L	8	
24	100050130	WIPER 1		2	
25	100050150	WIPER 3		2	
26	100050140	WIPER 2		2	
27					
28					
29					
30					
31					
32					
33					
34					
35					



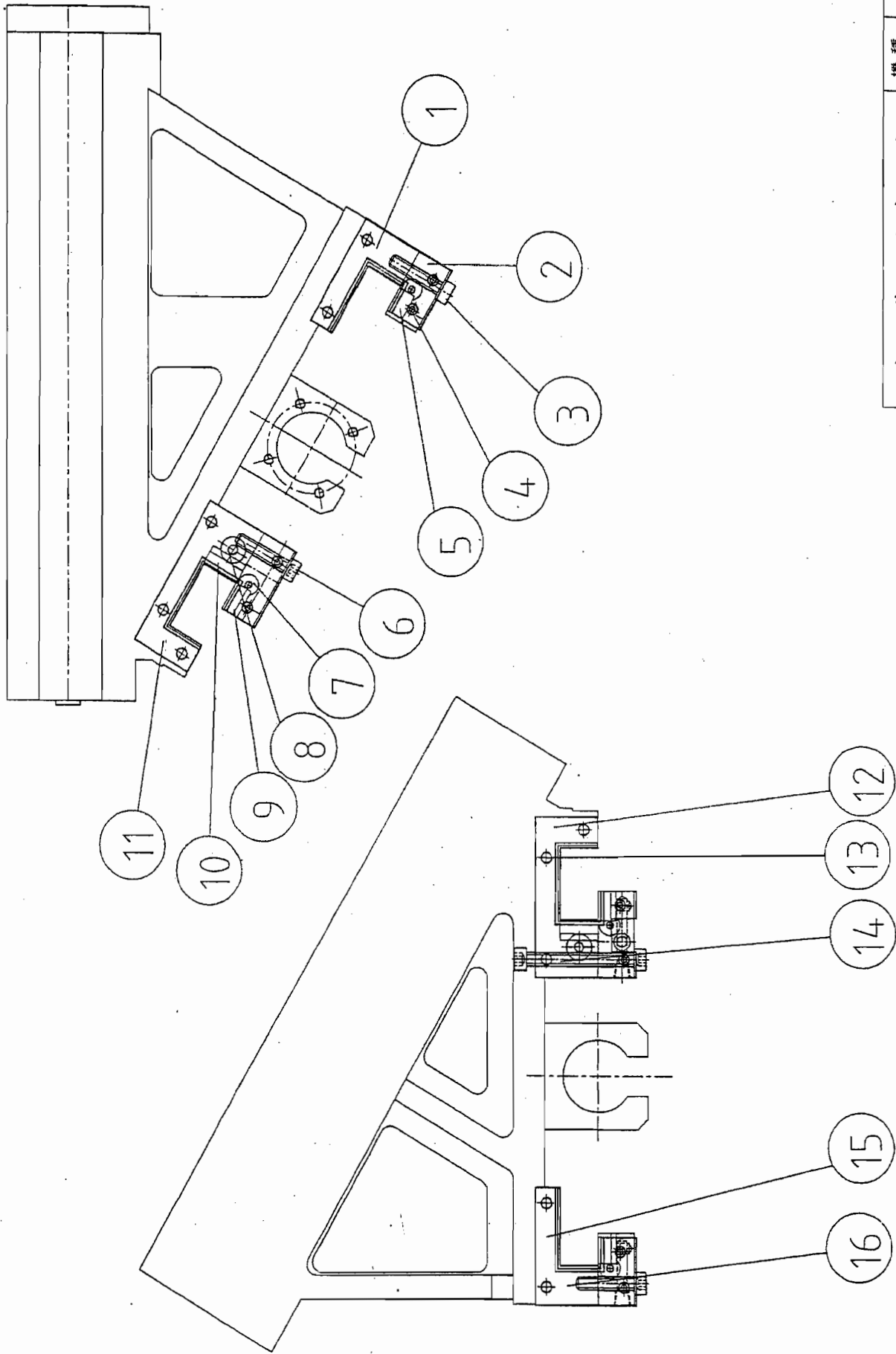
機種名	JC-100 滑板組合圖
加育工業股份有限公司	

TYPE	JG-100	SLIDE ASSEMBLY			
NO.	PART NO.	DESCRIPTION	SPECIFICATION	QTY	REMARK
1		HEX SOCKET SCREW	M6x15L	4	
2	100030270	X-AXIS HITTING LUMP		1	
3	9530070	HITTING LUMP (SMALL)		2	
4		HEX SOCKET SCREW	M8x30L	6	
5	100030140	TRANSMISSION PAD		1	
6		JOGGING SWITCH		1	
7	100030250	X-AXIS JOGGING SWITCH		1	
8		HEX SOCKET SCREW	M10x30L	4	
9		PIN	#7	2	
10					
11					
12					
13					
14					
15					
16					
17					
18					
19					
20					
21					
22					
23					
24					
25					
26					
27					
28					
29					
30					
31					
32					
33					
34					
35					



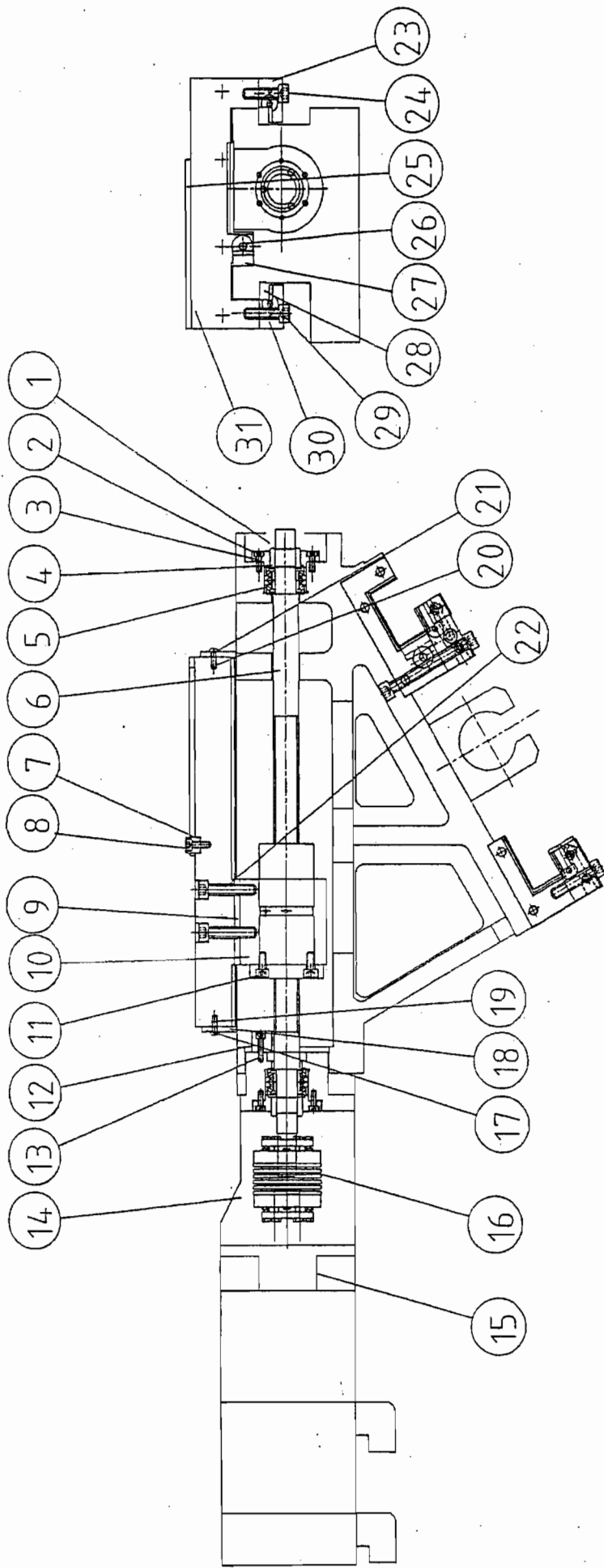
ACER

TYPE	JG-100	SPINDLE ASSEMBLY			
NO.	PART NO.	DESCRIPTION	SPECIFICATION	QTY	REMARK
1	100020150	CANNULAR PIPE		1	
	100020200	5" CANNULAR PIPE		1	
2	100020010	SPINDLE		1	
3		HEX SOCKET SCREW	M8x85L	12	
4	100020020	PRESSING COVER		1	
5	100020030	BEARING PRESSING RING		1	
6	100020040	SPACE COLLAR		1	
7	100020260	ROLLER BEARING	80BNC10DB	4	
8	100020060	OUTSIDE SPACE COLLAR-SMALL		2	
9	100020050	INSIDE SPACE COLLAR-SMALL		2	
10	100020080	OUTSIDE SPACE COLLAR-BIG		1	
11	100020070	INSIDE SPACE COLLAR-BIG		1	
12		HEX SOCKET SCREW	M8x30L	6	
13	100020100	SPINDLE COVER		1	
14	100020090	SPACE COLLAR		1	
15	100020250	PRECISE NUT	YSF M80XP2	1	
16	100020110	TOOTH PULLEY		1	
17	100020240	PIN 12X8X87		2	
18	100020120	SPINDLE PULLEY		1	
19	100020130	PULLEY NUT	YSK M70XP1.5X 95 L28	1	
20	100020140	SPINDLE OIL TANK LINKING PLATE		1	
21		HEX SOCKET SCREW	M14x50L	4	
22	100010030	SPINDLE ADJUSTING PLATE(2)		1	
23		HEX SOCKET SCREW	M8x30L	8	
24	100010020	HEAD STOCK ADJUSTING PLATE(1)		1	
25		HEX SOCKET SCREW	M10x50L	4	
26		SPINDLE ELT PK-1380		3	
27		BUSH	SD 60X31X28	1	(β8/10000)
		BUSH	SD 55X31X28	1	(β6/10000)
28	100040090	MOTOR PLATE		1	
29	100040080	PULLEY		1	β8/10000
	100040100	PULLEY		1	β6/10000
30		HEX SOCKET SCREW	M10x30L	4	
31		HEX SOCKET SCREW	M10x30L	6	
32		BELT	665-5GT-13	1	



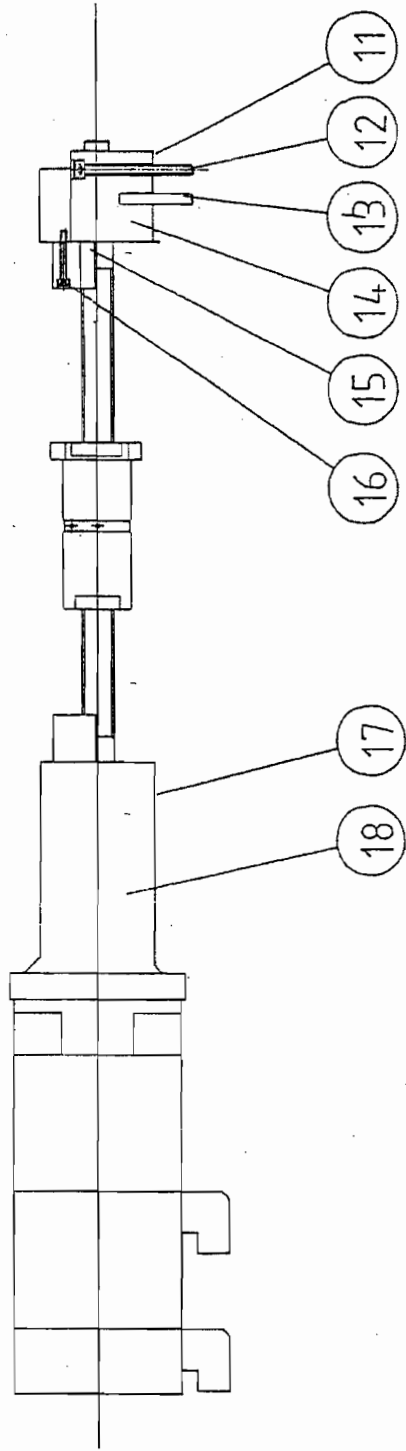
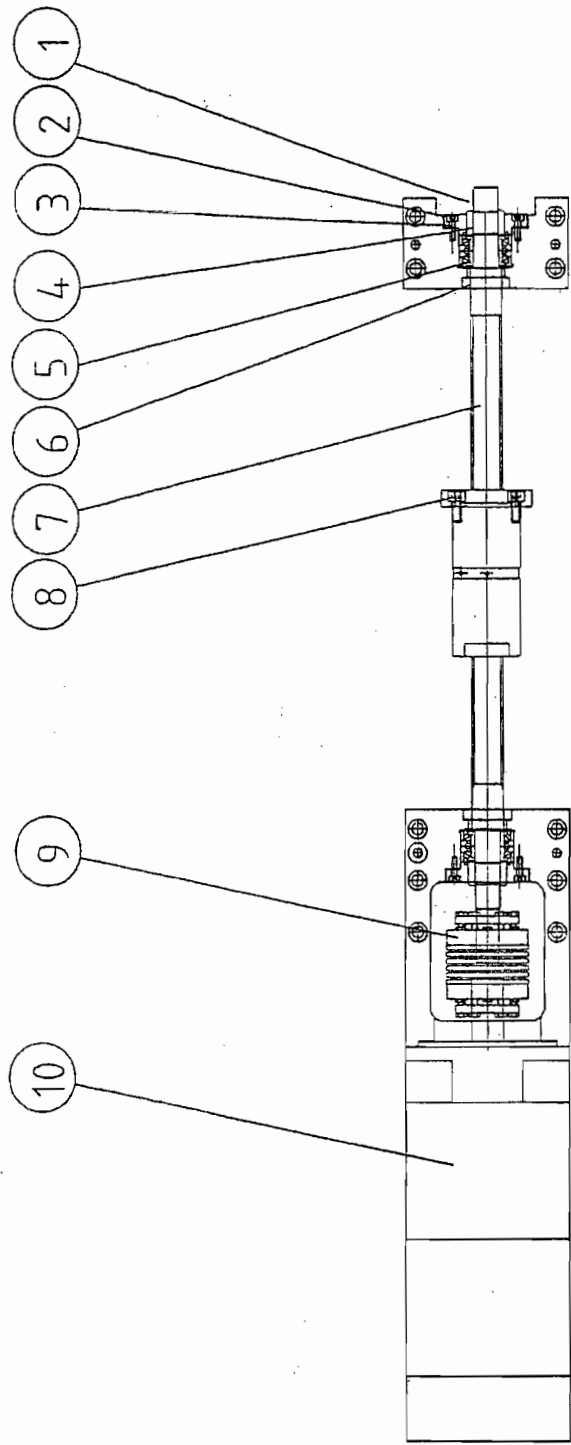
機種	JG-100
圖名	床鞍組合圖
加育工業股份有限公司	

TYPE	JG-100	BED SADDLE ASSEMBLY			
NO.	PART NO.	DESCRIPTION	SPECIFICATION	QTY	REMARK
1	100030210	SADDLE RIGHT WIPER		1	
2	100030030	Z-AXIS PRESSING SCREW		1	
3		HEX SOCKET SCREW	M10x 45L	3	
4		(SCREW) BOLT	M5x 15L	9	
5	100030040	Z-AXIS PRESSING PLATE GIB		2	
6		HEX SOCKET SCREW	M10x45L	1	
7		PRESSING PLATE GIB ADUUSTING SCREW	M6x25L	4	
8		GIB ADJUSTING SCREW	M8x35L	2	
9	100030020	Z-AXIS PRESSING PLATE		1	
10	100030050	Z-AXIS GIB		1	
11	100030200	SADDLE RIGHT WIPER		1	
12	100030190	SADDLE LEFT WIPER		1	
13		(SCREW) BOLT	M5x 15L	9	
14		HEX SOCKET SCREW	M10x80L	2	
15	100030170	SADDLE LEFT WIPER		1	
16					
17					
18					
19					
20					
21					
22					
23					
24					
25					
26					
27					

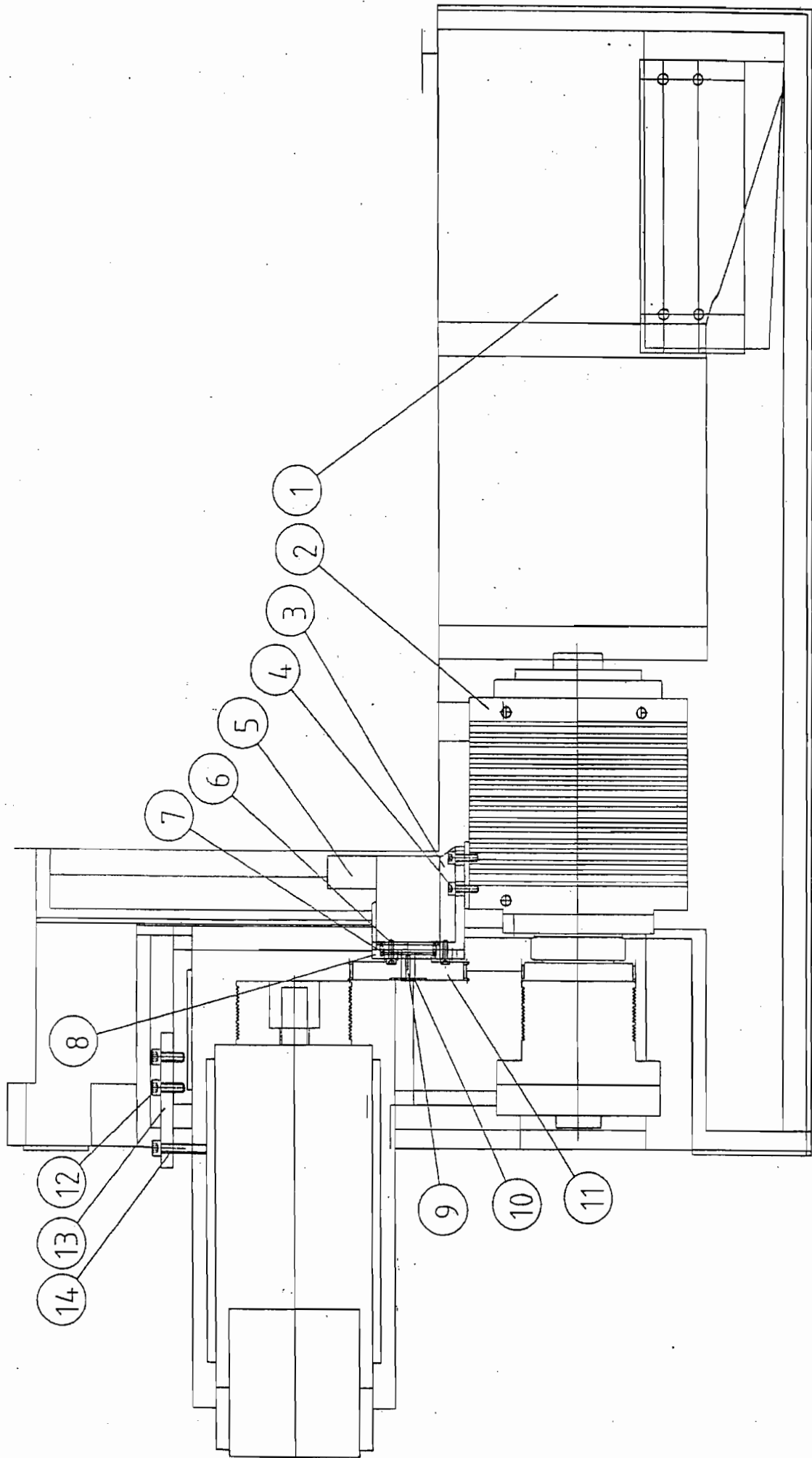


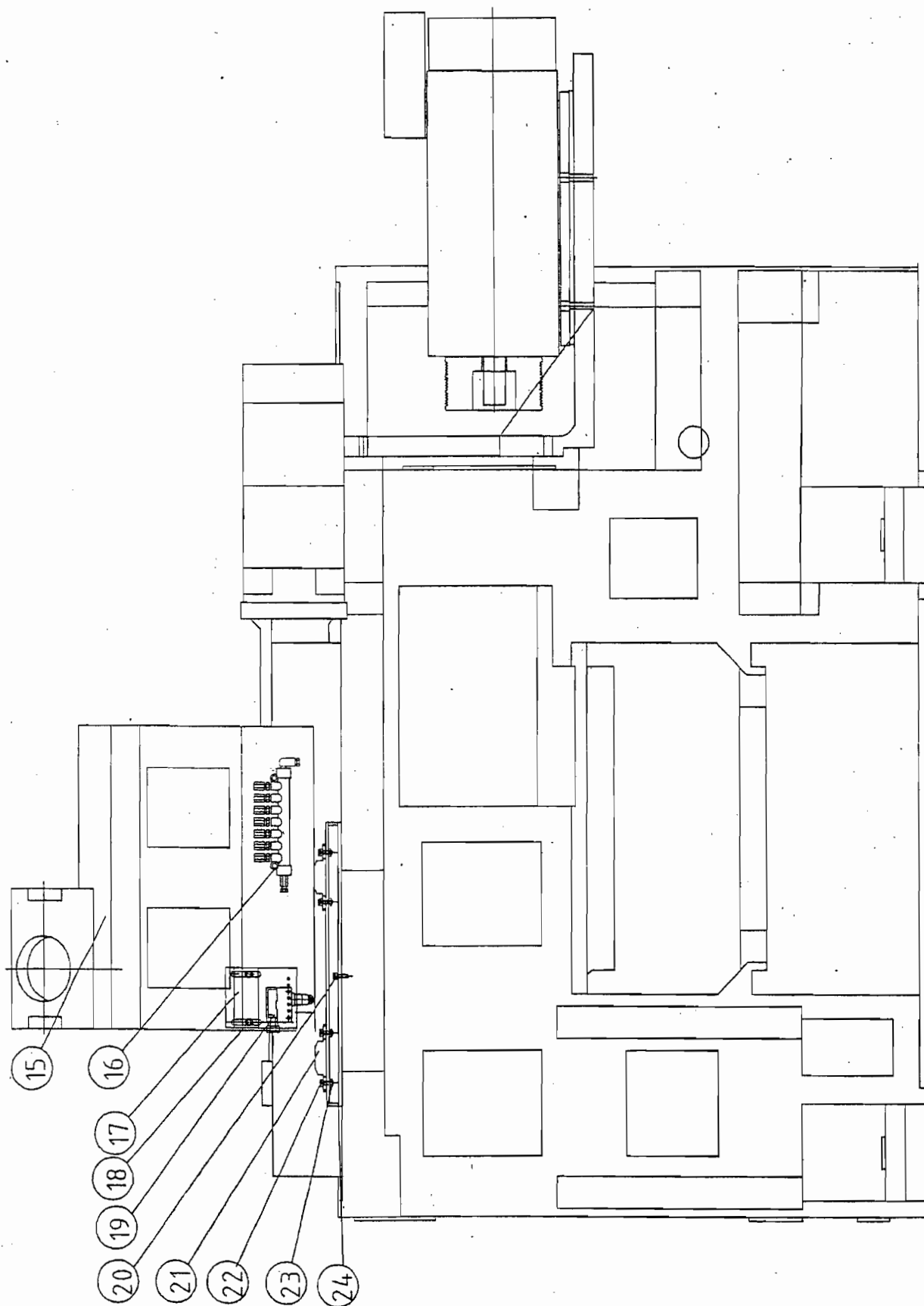
ACER

TYPE	JG-100	X-AXIS ASSEMBLY			
NO.	PART NO.	DESCRIPTION	SPECIFICATION	QTY	REMARK
1		PRECISE NUT	YSF M20XP1.5	2	
2	100080060	BEARING PRESSING PLATE		2	
3		HEX SOCKET SCREW	M5x15L	12	
4	100080070	BEARING SPACE COLLAR		2	
5		BEARING	NSK 7004A5	4	
6	100080170	X-AXIS LEAS SCREW		1	
7	100030120	TURRENT LOCKING RING		1	
8		HEX SOCKET SCREW	M6x15L	1	
9	100080220	X-AXIS PAD		1	
10	100080180	NUT SEAT SLEEVE		1	
11		HEX SOCKET SCREW	M8x15L	4	
12	100080210	X-AXIS BUFFER PAD		1	
13		HEX SOCKET SCREW	M5x15L	3	
14	100080190	X-AXIS TRANSMISSION SEAT		1	
15		X-AXIS MOTOR		1	
16	BK 4/60/72	COUPLING	φ 18-F16	1	
17	100030220	SLIDE LEFT WIPER		1	
18	100030210	SLIDE RIGHT WIPER		1	
19		(SCREW) BOLT	M5x 15L	6	
20		(SCREW) BOLT	M5x 15L	6	
21	100030160	SLIDE WIPER		1	
22		HEX SOCKET SCREW	M6x15L	1	
23	100030090	SLIDE RIGHT PRESSING PLATE		1	
24		HEX SOCKET SCREW	M10x35L	8	
25	100030130	TURRENT PAD		1	
26		GIB ADJUSTING SCREW	M8x35L	2	
27	100030110	SLIDE GIB		1	
28	100030100	SLIDE PRESSING PLATE GIB		2	
29		PRESSING PLATE GIB ADJUSTING SCREW	M6x25L	4	
30	100030080	SLIDE LEFT PRESSING PLATE		1	
31	100030060	SLIDE		1	
32					
33					
34					
35					



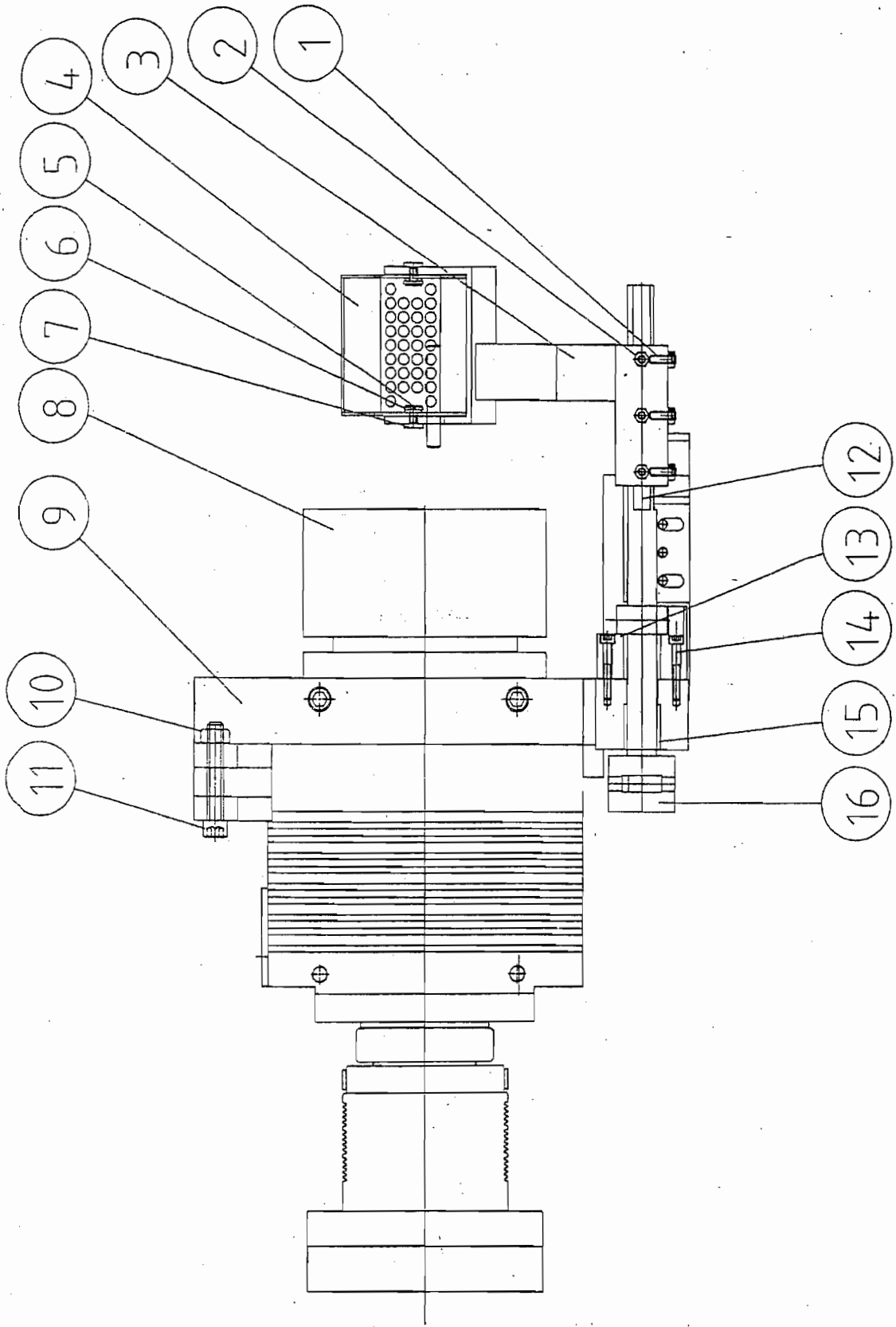
TYPE	JG-100	Z-AXIS ASSEMBLY			
NO.	PART NO.	DESCRIPTION	SPECIFICATION	QTY	REMARK
1		PRECISE NUT	YSF M20XP1.0	2	
2	100080060	BEARING PRESSING PLATE		2	
3		HEX SOCKET SCREW	M5x15L	12	
4	100080070	BEARING SPACE COLLAR		2	
5		BEARING	NSK 7004A5	4	
6		OIL SEAL	30X25X8	2	
7	100080010	Z-AXIS LEAD SCREW		1	
8		HEX SOCKET SCREW	M8x15L	4	
9	BK 4/60/72	COUPLING	φ 18-F16	1	
10		X-AXIS MOTOR		1	
11	100080110	Z-AXIS TAIL SEAT PAD		1	
12		HEX SOCKET SCREW	M8x85L	10	
13		PIN	# 7	4	
14	100080030	Z-AXIS TAIL SEAT		1	
15		HEX SOCKET SCREW	M5x35L	6	
16	100080080	BUFFER PAD		2	
17	100080120	Z-AXIS TRANSMISSION SEAT PAD		1	
18	100080020	Z-AXIS TRANSMISSION SEAT		1	
19					
20					
21					
22					
23					
24					
25					
26					
27					
28					
29					
30					
31					
32					
33					
34					
35					





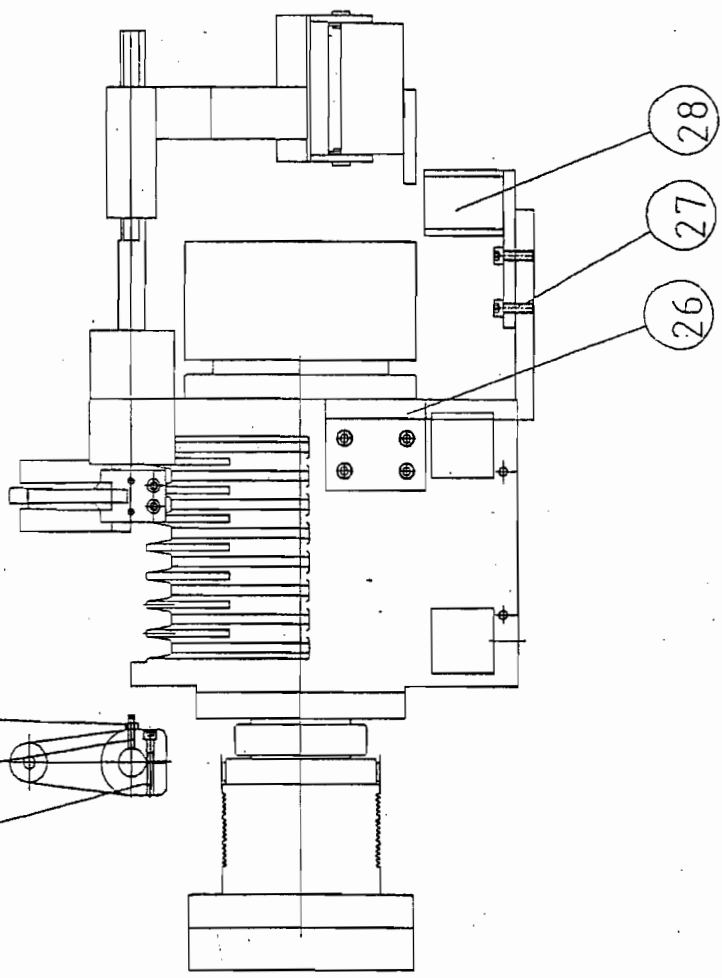
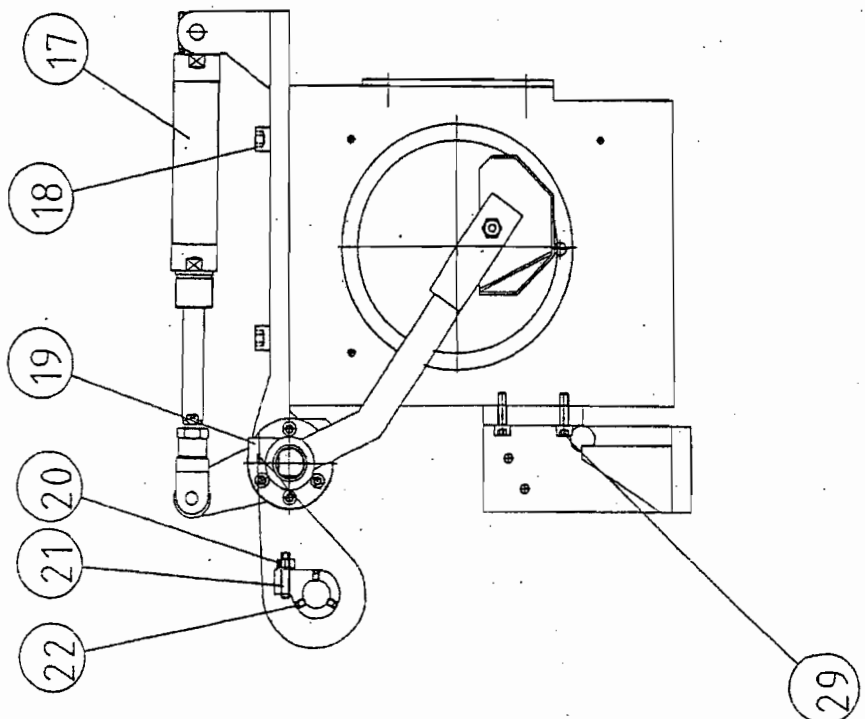
ACER

TYPE	JG-100	DETECTOR ASSEMBLY			
NO.	PART NO.	DESCRIPTION	SPECIFICATION	QTY	REMARK
1	100040010	BASE SEAT		1	
2	100010010	HEADSTOCK		1	
3	100020180	DETECTOR BRACE		1	
4		HEX SOCKET SCREW	M8x20L	4	
5		DETECTOR MOTOR		1	
6		HEX SOCKET SCREW	M6x20L	4	
7		HEX SOCKET SCREW	M4x15L	4	
8	100020160	DETECTOR ADJUSTING PLATE		1	
9	100020190	PIN 5x5x16.5		1	
10		C LOCKING RING	G15	1	
11	100020170	DETECTOR PULLEY		1	
12		HEX SOCKET SCREW	M10x25L	2	
13	100040070	MOTOR ADJUSTING PLATE		1	
14		HEX SOCKET SCREW	M10x50L	1	
15	100030010	SADDLE		1	
16		OIL DISTRIBUTION		1	
17	100030270	JOGGING SWITCH SEAT		1	
18		HEX SOCKET SCREW	M6x20L	2	
19		JOGGING SWITCH		1	
20		HEX SOCKET SCREW	M6x20L	3	
21	9530070	HITTING LUMP		2	
22		HEX SOCKET SCREW	M5x20L	4	
23		NUT	M6	2	
24	100030260	Z-AXIS HITTING LUMP SEAT		1	
25					
26					
27					
28					
29					
30					
31					
32					
33					
34					
35					



加育工業股份有限公司		機種	JG-100
		圖名	工件組合圖

25 24 23



TYPE	JG-100	WORKPIECE ASSEMBLY			
NO.	PART NO.	DESCRIPTION	SPECIFICATION	QTY	REMARK
1		BOLT	M6x20L	6	
2		NUT	M6	6	
3	100060110	WORKPIECE RECEIVING ARM		1	
4	100060120	WORKPIECE RECEIVING BOX		1	
5		BOLT	M6X10L	2	
6		PAD RING	13X9X1.6	2	
7	100060090	RECEIVING BOX NUT		2	
8		OIL CHUCK		1	
9	100060010	WORKPIECE RECEIVING BRACE		1	
10		NUT	M12	1	
11		HEX SOCKET SCREW	M12x65L	1	
12	100060060	RECEIVING ARM SHAFT		1	
13	100060040	SUPPOR SEAT		1	
14		HEX SOCKET SCREW	M6x40L	6	
15		BEARING	Φ28xΦ22 L= 31MM	2	
16	100060030	WORKPIECE RECEIVING ARM		1	
17	100060020	OIL TANK		1	
18		HEX SOCKET SCREW	M12x25L	2	
19	100060050	TRAVEL CONTROL SEAT		1	
20		NUT	M8	1	
21		BOLT	M8x40L	1	
22		BOLT	M6x10L	3	
23		NUT	M6	2	
24		BOLT	M6x25L	2	
25		HEX SOCKET SCREW	M6x40L	2	
26	100060070	FIXEX BRASE		1	
27		HEX SOCKET SCREW	M8x20L	4	
28	100060080	WORKPIECE RECEIVING PLATE		1	
29		HEX SOCKET SCREW	M8x25L	4	
30					
31					
32					
33					
34					
35					