

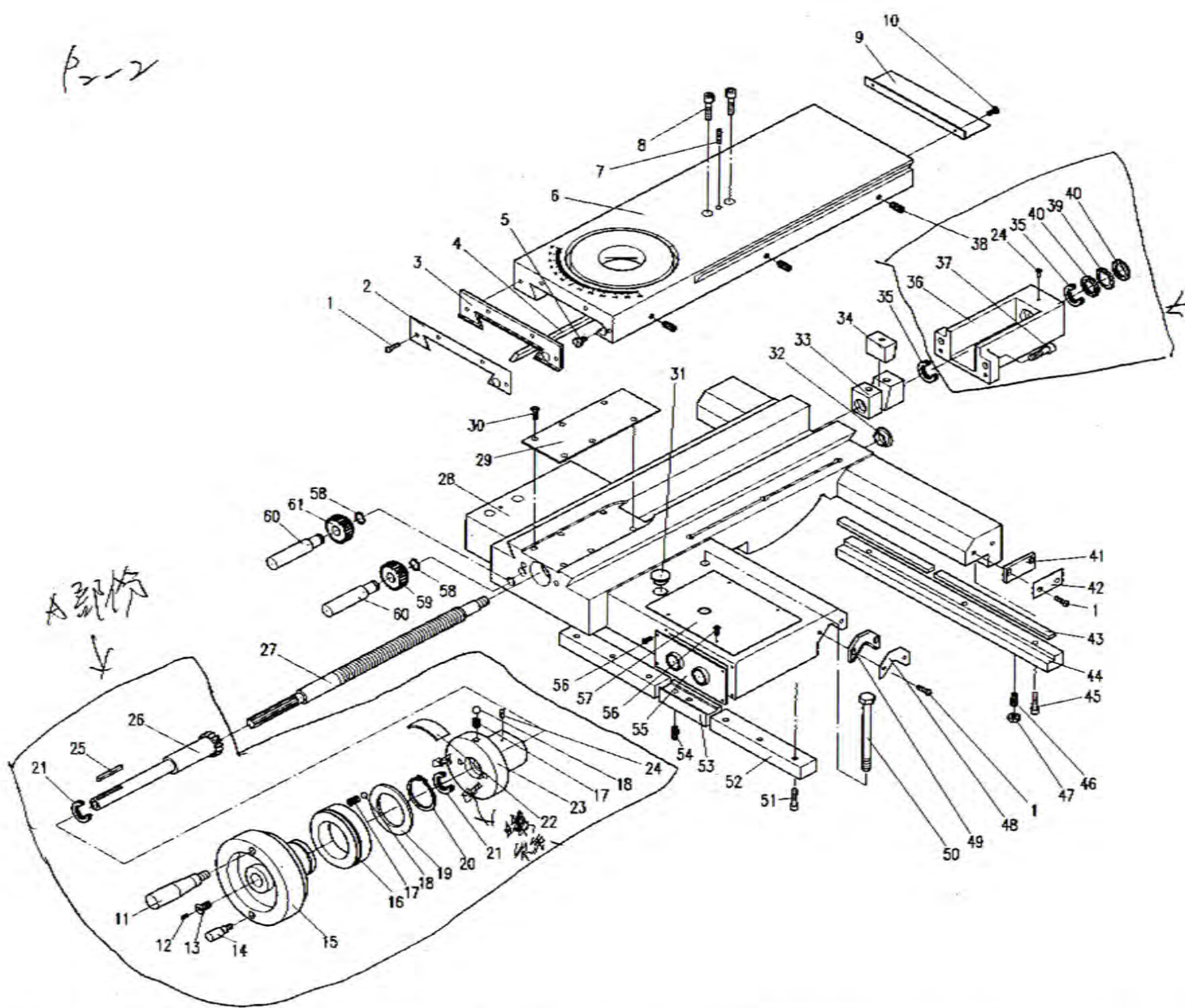
## Procedure to Take Out the Cross Slide on the Dynamic-24"/29" Series Lathe

See picture

1. Take out #21 and #22 screw. You can take out the entire Section A.
2. Take out the gib screw #5. Keep gib screw #10 untouched. Push the cross slide forward to take out gib #4.
3. Take out #7 and #8 set screw for the lead screw #27 so you can push out the cross slide.
4. Scrap the surface of the saddle.
5. There is no need to take out the taper turning attachment, if the machine is equipped with it.
6. If you need to take out Section B, then take out screw #37 and lock nut #40 so you can take out Section B.
7. Do the reversing procedure to reassemble after scraping the saddle.

69

P-2



8-12. Carriage